



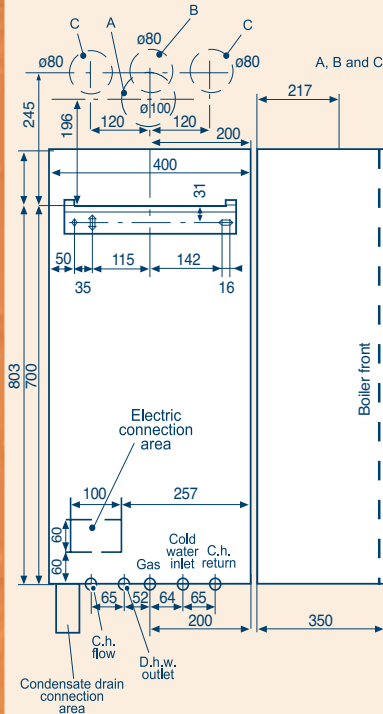
Garda *HE*
PLUS

Max Rating - Max Performance ...



TECHNICAL CHARACTERISTICS

FIXING HOLES AND CONNECTION PIPES POSITIONS



- A** - air intake/flue outlet pipe (co-axial)
 - B** - flue outlet pipe \varnothing 80mm (twin kit)
 - C** - air intake pipe \varnothing 80mm (twin kit)
- (all dimensions in mm)

BIASI UK LIMITED

31-33 Planetary Road
Industrial Estate,
Neachells Lane,
Willenhall,
Wolverhampton.
WV13 3XB

SALES

Tel: 01902 304304
Fax: 01902 304321

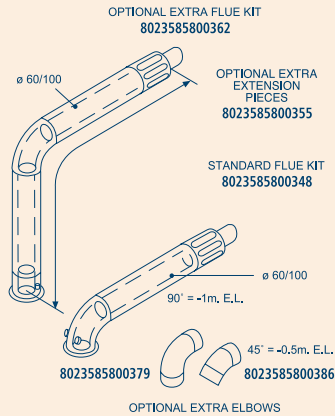
SERVICE

Tel: 01902 304400
Fax: 01902 307160

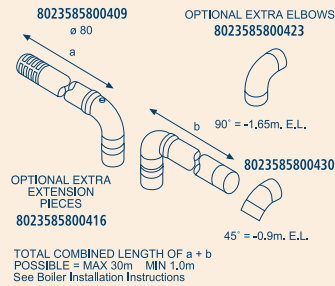
EMAIL: sales@biasi.uk.com

WEB: www.biasi.co.uk

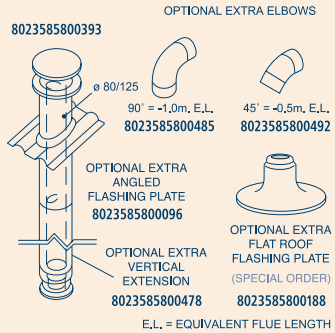
HORIZONTAL TERMINATING FLUE KITS



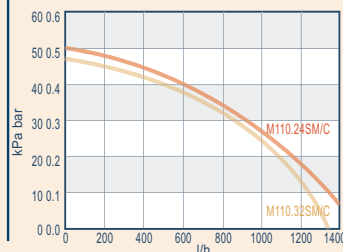
TWIN TUBE FLUE KITS (OPTIONAL EXTRA)



VERTICAL FLUE KIT (OPTIONAL EXTRA)



AVAILABLE PUMP PRESSURE



TECHNICAL DATA

		M110.24 SM/E	M110.32 SM/E
Normal Heat Input	KW	25.0	33.5
	BTU/h	85,295	114,295
Minimum Heat Input	KW	6.0	11.0
	BTU/h	20,470	37,530
Minimum Useful Output	KW	5.8	10.6
Non Condensing	BTU/h	19,788	36,165
Minimum Useful Output	KW	6.3	11.6
Condensing	BTU/h	21,494	39,577

CENTRAL HEATING.

Maximum Useful Output	KW	24.4	32.7
Non Condensing	BTU/h	83,248	111,566
Maximum Useful Output	KW	26.3	35.1
Condensing	BTU/h	89,730	119,754
Max System Pressure	bar	3.0	3.0
Minimum Cold Fill Pressure	bar	0.3	0.3
Normal System Operating Pressure	bar	1.3 to 2.7	1.3 to 2.7
Available Pump Pressure (at 1000 litres/hr)		Refer to graph below	
Max Flow Temperature	°C	85	85
Min Flow Temperature	°C	38	38
Min Return Temperature	°C	30	30

DOMESTIC HOT WATER.

Max Temperature	°C	60	60
Min Temperature	°C	35	35
Max Pressure	bar	10.3	10.3
Min Pressure	bar	0.3	0.3
Normal Working Pressure Range	bar	0.3 to 5.0	0.3 to 5.0
Minimum Flow Rate	l/min	2.5	2.5
Flow Rate (30° C. Rise)	l/min	12.4	16.5
Flow Rate (35° C. Rise)	l/min	10.4	14.0
Flow Rate (40° C. Rise)	l/min	9.1	12.1

OTHER DATA

Voltage Frequency	V/Hz	230/50	230/50
Power	Watts	108	125
Height	mm	803	803
Width	mm	400	400
Depth	mm	385	385
Weight	kg	45	46
C/H Flow & Return	mm	22	22
Connections			
Gas Inlet Connections	mm	22	22
DHW Inlet & Outlet	mm	15	15
Connections			
Condensate Drain (Plastic)	mm	25	25
Standard Coaxial Flue	mm	60/100	60/100
Pipe (Nominal Length 795mm)			
Max Horiz Flue	m	10.0 *	10.0 *
Length			
Min Horiz Flue	m	0.3 *	0.3 *
Length			
Max Vertical Flue Length	m	10.0 *	10.0 *
Coaxial 80/125			

* Refer to specific boiler installation instructions for conformation of the flue arrangements

EFFICIENCY

Seasonal Efficiency		90.0%	90.0%
SEDBUK Rating		A	A
Building Regulations-Part L compliant			

CLEARANCE REQUIREMENTS

Top & Bottom	mm	200	200
Left Hand Side	mm	25	25
Right Hand Side	mm	50	50
Min Front Clearance req	mm	50	50
In Operation			
Min Front Clearance req	mm	600	600
For Servicing & Maintenance			

Garda **HE** PLUS



Certification mark



WRAS APPROVED PRODUCT

BRITISH GAS SERVICE LISTED

Heating & Hotwater Information Council

benchmark

OTHER PRODUCTS AVAILABLE FROM THE EXCELLENT BIASI RANGE:-

BOILERS

Biasi have the widest range of hot water boilers to suit any need. Our unique, elegant, Italian products are not only extremely stylish... They have a reliability and dependability that is unrivaled within the industry.

TOWEL WARMERS

Biasi Towel Warmers don't just offer you smart Italian interior styling - they also combine efficient room heating with the luxurious feel of warm, dry towels, summer or winter.

RADIATORS

In addition to being extremely practical, Biasi radiators are so attractive, that they can become integral elements within the whole interior design process.

ACCESSORIES

Whatever your requirement, Biasi's wide range of product accessories are the ultimate choice for your equipment.

Max Rating - Max Performance ...

BIASI