



Savio

ISO 9002
registered by
GAS TEC

SERIE ACQUAPIU'
WALL HUNG GAS COMBINATION
AND SYSTEM BOILERS
ELECTRONIC IGNITION
SEALED COMBUSTION CHAMBER
FANNED FLUE

MODELS

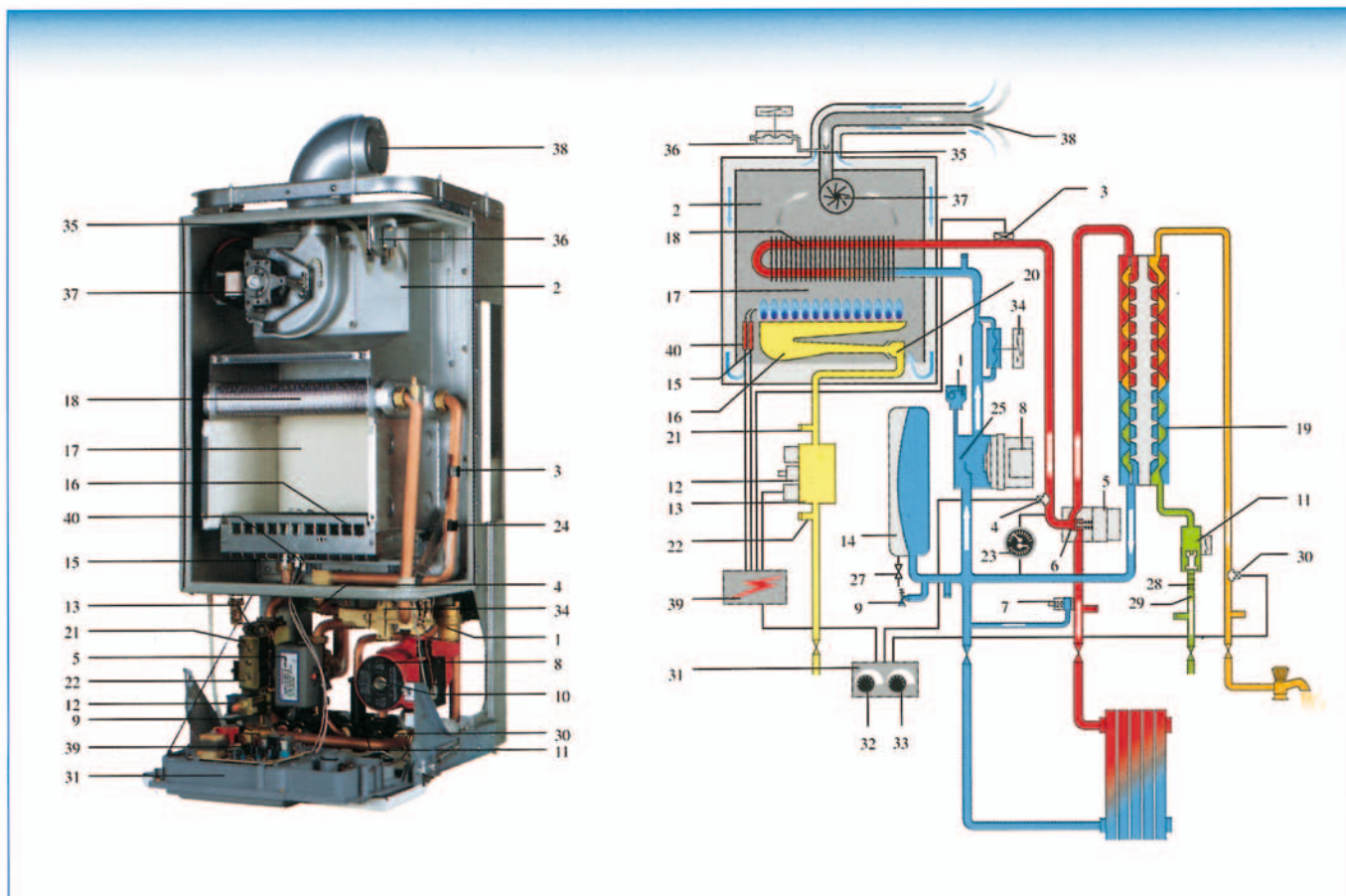
120 MFS-124 MFS -120 RFS



CE 0063

British Gas
Service Listed

MOD. 120 MFS - 124 MFS



120 MFS - 124 MFS

When you choose a new gas fired combination boiler you will want a boiler that is efficient (90%) and which delivers hot water quickly even if the cold water pressure is very low.

You will need to know that it is less expensive and easier to install than many competing models and that it has a wide range of flue options to suit all your requirements.

Furthermore you will be pleased to know that you have different outputs to choose from (80,000-96,000 Btu/h) and that the boilers comply with all European legislation concerning safety and protection of the environment.

And what about after sales support?

You will be satisfied knowing that the product has the support of a Nation-wide Service Network and a team of Service Engineers equipped with all essential spares.

The NEW Savio Acquapiù (100 range) gives you all of that.

MAIN EXCHANGER (Pict. 1)

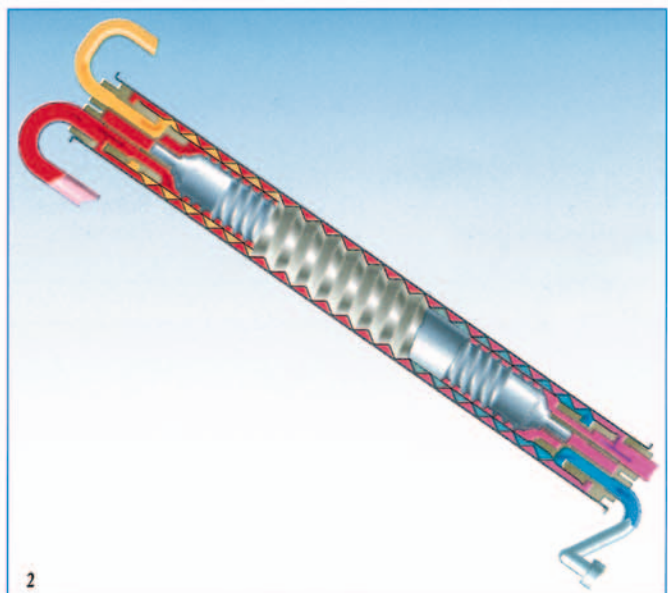
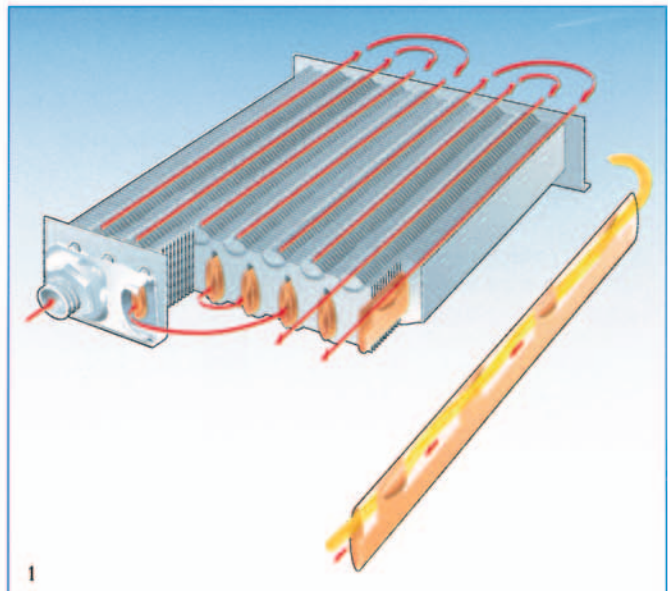
Special vortex forming elements are designed to prevent boiling even in abnormal operation and the absence of thermal shocks is guaranteed.

Over 90% of combustion heat is transferred into the system giving maximum economy in compliance with energy saving legislation.

- | | |
|------------------------------------|----------------------------------|
| 1. Automatic air release valve | 25. Air divider |
| 2. Flue chamber | 27. Air inlet valve |
| 3. Overheat thermostat (probe) | 28. D.H.W. filter |
| 4. C.H. temperature probe | 29. D.H.W. flow limiter |
| 5. 3-way valve | 30. D.H.W. temperature probe |
| 6. 3-way valve plug | 31. Electronic regulation p.c.b. |
| 7. By pass | 32. D.H.W. temperature setting |
| 8. Pump | 33. C.H. temperature setting |
| 9. Safety valve | 34. Min circuit flow switch |
| 10. Manual operator | 35. Venturi |
| 11. D. H. W. flow switch | 36. Air pressure switch |
| 12. Gas modulator | 37. Fan |
| 13. Gas valve | 38. Flue outlet |
| 14. Expansion vessel | 39. Full sequence control p.c.b. |
| 15. Ignition electrode | 40. Detection electrode |
| 16. Burner | |
| 17. Combustion chamber | |
| 18. Main heat exchanger | |
| 19. D.H.W. heat exchanger | |
| 20. Injectors | |
| 21. Gas outlet pressure test point | |
| 22. Gas inlet pressure point | |
| 23. Pressure gauge/thermometer | |
| 24. Thermometer probe | |

TECHNICAL DATA

	kW	120 MFS	120 RFS	124 MFS
Central Heating				
Heat Output	kW	23.26	23.26	27.90
	BTU/h	79,365	79,365	95,238
Heat Input	kW	25.84	25.84	31.00
	BTU/h	88,175	88,175	105,794
Minimum Heat Output	kW	9.16	9.16	11.7
	BTU/h	31,280	31,280	40,130
Efficiency 100% load	%	90	90	90
Efficiency 30% load	%	87	87	87
Maximum temperature	°C	90	90	90
Expansion vessel capacity	l	7.5	7.5	7.5
Pressure head (1,000 l/h)	bar	0.32	0.32	0.32
Domestic Hot Water				
Heat Output	kW	23.26	—	27.90
	BTU/h	79,365	—	95,238
Minimum Heat Output	kW	9.16	—	11.7
	BTU/h	31,280	—	40,130
Maximum temperature	°C	60	—	60
Minimum temperature	°C	37	—	37
Maximum pressure	bar	10	—	10
Minimum pressure	bar	0.2	—	0.2
Flow rate ($\Delta T=35$ K)	l/min	9.5	—	11.4
Minimum flow rate	l/min	2	—	2
Other data				
Voltage/frequency	V/Hz	—	220-240/50	—
Power	W	150	150	150
Height	mm	853	853	853
Width	mm	400	400	400
Depth	mm	370	370	370
Weight	kg	49	45	49
Ø flue pipe	mm	100/60	100/60	100/60
Maximum length of flue pipe	m	3	3	1.85



DHW PLUS EXCHANGER (Pict. 2)

The new Hot Water Exchanger fitted in the **ACQUAPIU'** series maintains the design characteristics unique to Savio products and has been further enhanced to allow better heat transfer.

This has been achieved by doubling the heat exchanger surface area thereby improving overall efficiency and still retaining the unique design characteristics that prevent build up of lime scale

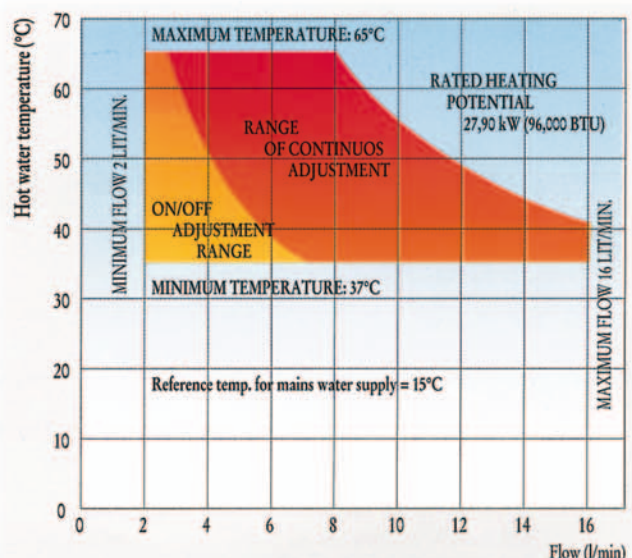
ECONOMICAL CONTROL (Pict. 3)

The boiler measures the differential between input and output temperature and electronically modulates and controls the gas rate to the burner to give between 35 to 100% of the maximum rated heating capacity to meet system requirements.

Heat output can also be adjusted during commissioning to accurately match the heating demand.

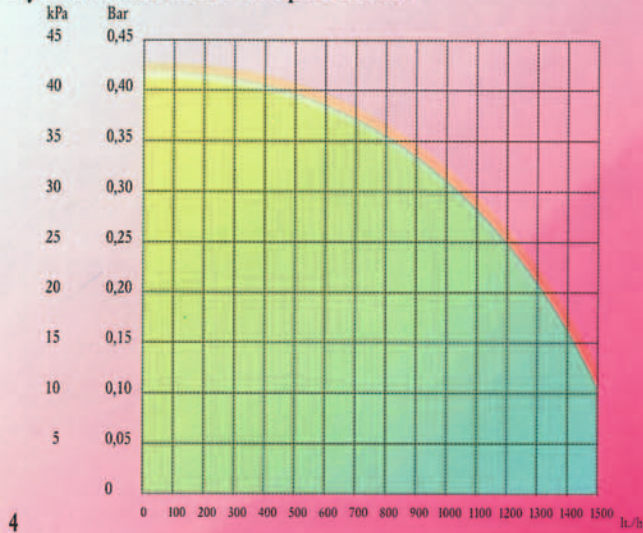
EASY INSTALLATION

A separate wall bracket is supplied to simplify your installation. You can fix the bracket on the wall, connect all the pipes and then, at the very last, fix the boiler. Included in the same packaging as the wall brackets are a set of instructions and all the items required for connection to the boiler.



TECHNICAL DATA

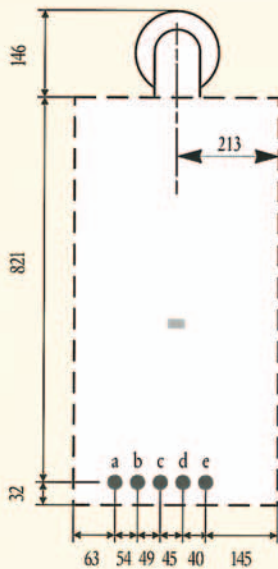
Hydraulic characteristics - Net pressure head



4

The **ACQUAPIU'** range carries the CE mark and is **British Gas Service Listed**.

- Available in either system or combination boilers types.
- All the boilers are supplied with a digital clock/7 days programmer.
- Wide range of flue options that go almost anywhere.
- 360° directional flue.
- Built in by pass.
- Access to all essential operational components from the front of the boiler.
- Simple to install, commission and service.



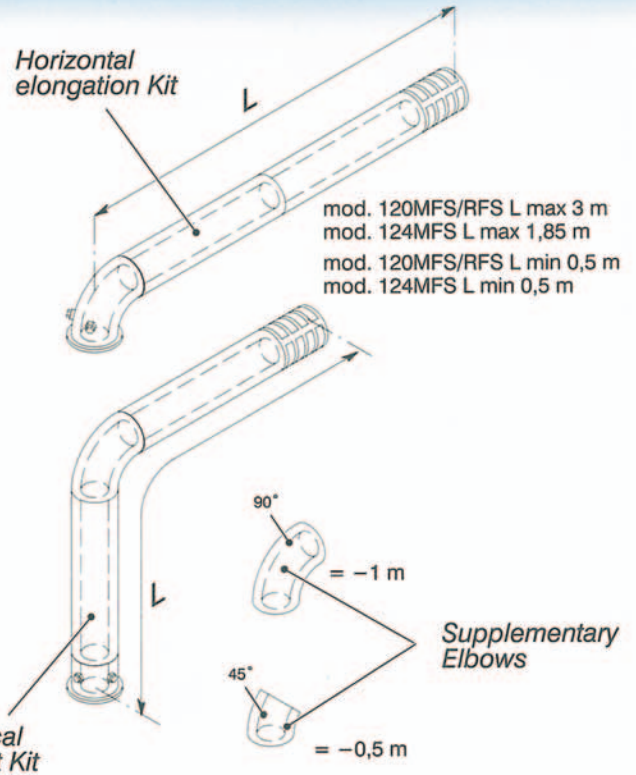
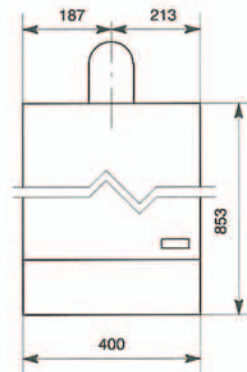
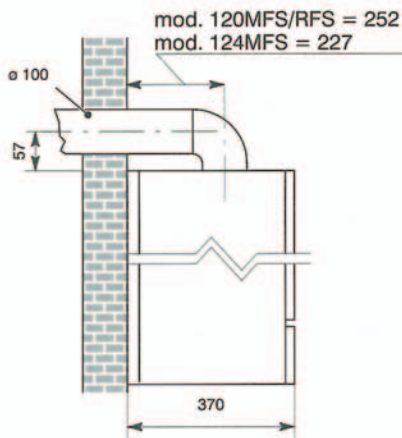
- a - gas
 - b - c. h. water return
 - c - c. h. water flow
 - d - d. h. w. inlet[⊗]
 - e - d. h. w. outlet[⊗]
- [⊗] for MFS models only

All measurements in mm.

5

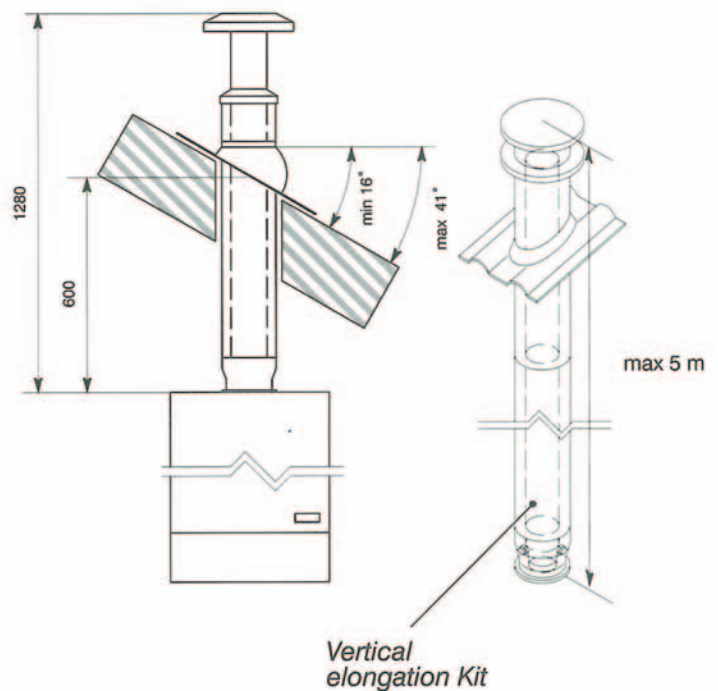
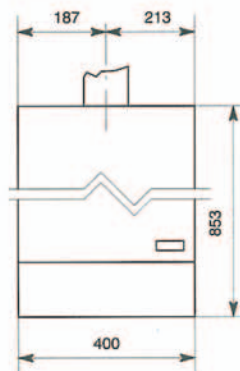
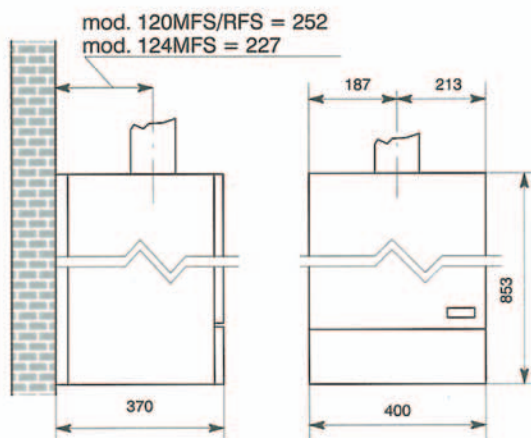
FLUE PIPES

Standard Flue Kit (with options)



All dimensions in mm

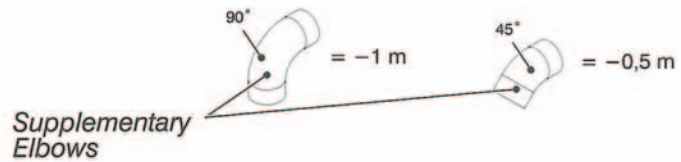
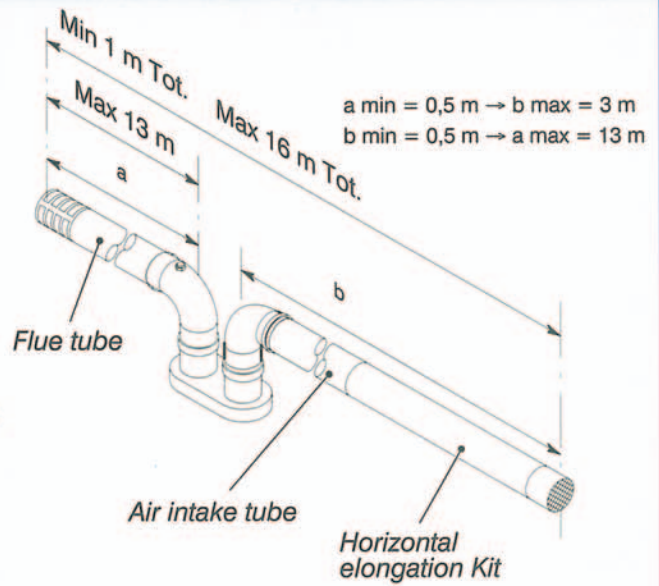
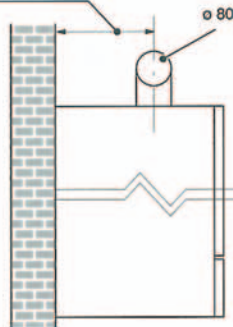
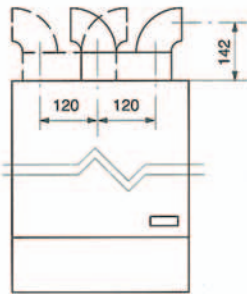
Roof Kit (with options)



All dimensions in mm

Twin split pipes Kit (with options)

mod. 120MFS/RFS = 252
mod. 124MFS = 227



All dimensions in mm

The manufacturer reserves the right to modify the specifications enclosed in this document without prior notice. This is only an informative document and has not to be considered as a formal agreement with any third party.

Manufactured by: Savio Caldaie S.p.A.
Distributed by: BIASI U. K. Ltd
Unit 32/33 Planetary Road Industrial Estate, Neachells Lane
Willenhall, Wolverhampton WV13 3XB
Telephone: 01902 304400 - Fax: 01902 304321

Authorized Dealer: