

GAIA

AN *A*TTRACTIVE COMBINATION OF SUPERMODEL LOOKS
and SUPERSTAR *P*ERFORMANCE



ELEGANT, HI-TECH DESIGN

STYLISH, LED FUNCTION INDICATORS

FULL ELECTRONIC IGNITION

MANUAL/ELECTRONIC CLOCK FITTED
AS STANDARD

AUTOMATIC BY-PASS

ANTI-SCALE SYSTEM

CONTINUOUS MODULATION

HIGH DOMESTIC HOT WATER
FLOW RATE

LPG KITS AVAILABLE



Combi Boilers, Italian Style.



FOR PEOPLE WHO WANT LOOKS EVERY BIT AS G

STYLISH GOOD LOOKS

We've designed the Gaia to look more like a work of art rather than the supremely efficient domestic central heating and hot water boiler that it is.

Its gently rounded contours and state-of-the-art LED indicators give the Gaia a curvaceousness and hi-tech appeal that everyone will admire.

As to the quality of the finish, Gaia's flowing body style is shown-off perfectly by a smooth, gloss white coating that will retain its brilliant appearance in the years ahead and will complement any decor scheme.

THE VERY MODEL OF EFFICIENCY

One of the real advantages of a combi boiler like the Gaia is that it heats water taken directly from the cold mains - but only as you use it.

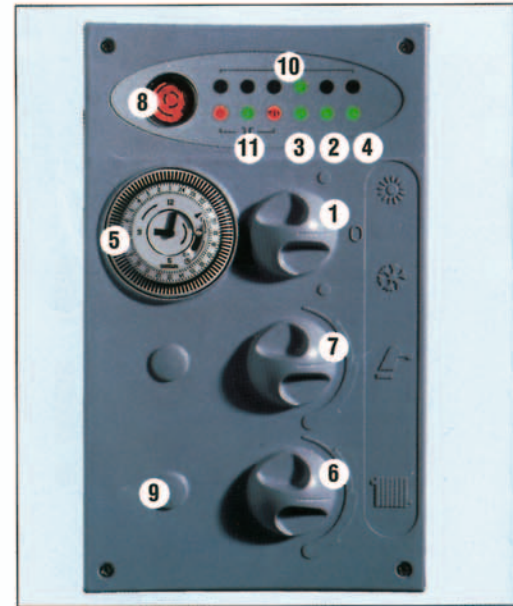
Unlike a conventional central heating and domestic hot water system, there's no need to install a hot water cylinder or tanks. So there's no connecting pipework to freeze up and burst in cold weather!

The Gaia is very compact and designed to be wall mounted. This space-saving concept means it can be fitted to an outside wall, anywhere - in the kitchen, in the utility room... even in the garage!

This flexibility of siting is further enhanced courtesy of a wide choice of flueing options. Options that include vertical balanced flue as well as multi-

directional, room-sealed balanced flues which expel gases to the outside air via integral fans.

There's a choice of heat outputs, too, from 80,000 btu/h to 96,000 btu/h. The Gaia can even be de-rated down to 32,000 btu/h without affecting the domestic hot water supply performance. So, as you see, there's a model for everyone.



Whichever one you decide on, its reassuring to know that, thanks to its sealed combustion chamber, it has been given an extremely high efficiency rating that's the envy of the industry.

But the savings don't end there.

Because a combi supplies hot water at mains pressure, you can enjoy an invigorating power shower without having to install a pump.

As for running a bath, there's no cylinder to heat up and the Gaia quickly delivers plenty of hot water.



The INOX steel D.H.W. is quick and easy to clean hot water in



GAIA

A COMBI BOILER THAT GOOD AS IT PERFORMS.

STATE-OF-THE-ART, YET SIMPLE CONTROLS.

All Gaia combis have electronic ignition, there's not a pilot flame in sight. They also come with the choice of a manual or electronic time clock fitted as standard so you're in complete control of your households needs. What's more, as befits such a shining example of technological achievement, advanced LED indicators clearly show the

1. Summer/Winter switch.
2. Central heating on light.
3. Domestic hot water indicator.
4. Power on light.
5. Clock.
6. Central heating thermostat.
7. Domestic hot water thermostat.
8. Lock-out and re-set button.
9. Safety thermostat re-set button.
10. Main circuit temperature display.
11. Main circuit pressure display.

functioning cycle of the Gaia as it happens.

ALL THE SAFETY FEATURES IMAGINEABLE.

Unlike many other combis, the Gaia comes with all the safety features and devices that you can think of fitted as standard.

Anti-Scale System.

Limescale accumulation is a problem in any system. The key to its prevention is temperature regulation.

In the Gaia, temperatures within the critical zone main circuit are kept

below 75°C to restrict scale formation. In the event of build-up, nevertheless, the INOX steel domestic hot water plate exchanger is easily accessed and cleaned in minutes by your service engineer.

Safety Flow Switch

Located on the main circuit, this device monitors the flow and protects the main heat exchanger from thermal shock should the system lack water.

Radio Disturbance Immunity

The electronic circuits in the Gaia have special devices which protect the operation of the boiler from potentially harmful radio frequencies.

Temperature Fluctuation ($\pm 1^\circ\text{C}$)

A gas valve modulates continuously when the boiler is operating in both heating and hot water cycles.

Because the central heating output can be adjusted during commissioning to match your particular heating requirements, the temperature fluctuation is always maintained within $\pm 1^\circ\text{C}$.

EASY TO INSTALL AND MAINTAIN

With no tanks, cylinder or associated connecting pipework required, Gaia combi boilers deliver substantial savings on materials as well as installation time and costs. And because they have been designed to give easy access to all the main components, servicing time and bills are greatly reduced as well.

LPG KITS MAKE FOR ULTIMATE CHOICE

If you don't have a natural gas supply to your home, don't worry.

Another beauty of the Gaia range is the ready availability of conversion kits for liquid propane users.

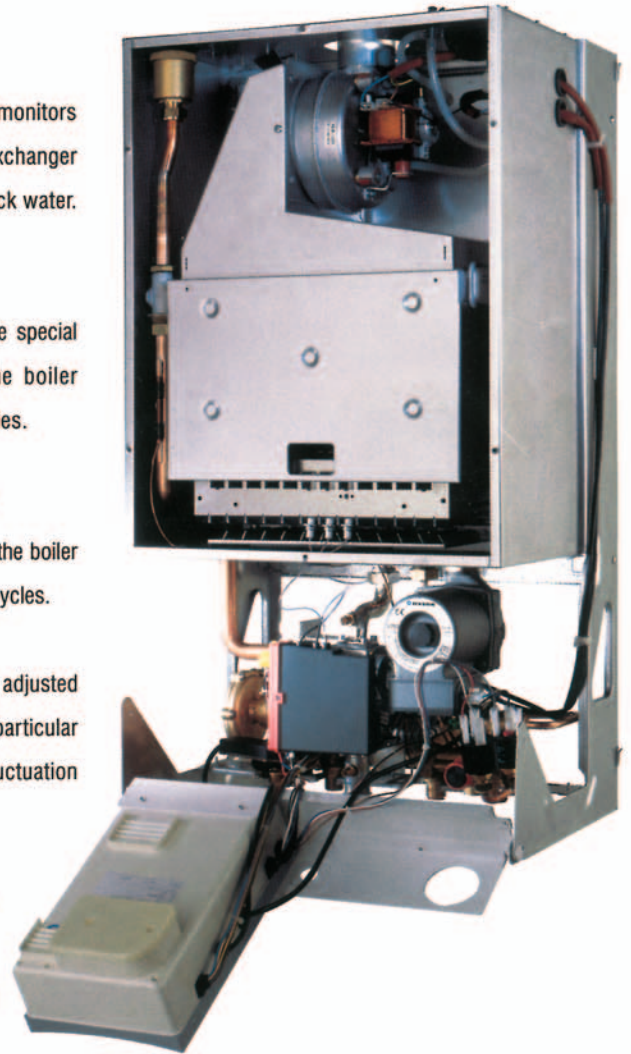


plate exchanger
can and delivers
stantly.

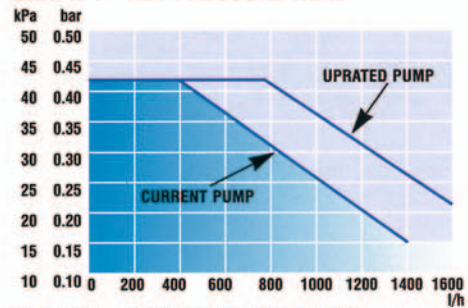
GAIA TECHNICAL CHARACTERISTICS

TECHNICAL DATA		424	428
		S	S
CENTRAL HEATING			
Heat Output	kW	24	28
	Btu/h	81,883	95,530
Heat Input	kW	26.6	31.1
	Btu/h	90,754	106,107
Minimum Heat Output	kW	9.3	11
	Btu/h	31,730	37,530
Efficiency 100% load	%	90	90
	%	87	87
Efficiency 30% load	%	87	87
Temperature Setting Range	°C	35/90	35/90
Expansion Vessel Capacity	l.	8	8
Maximum Working Pressure	bar	3	3
Pressure Head	bar	0.35	0.35
	m. w.c.	3.5	3.5

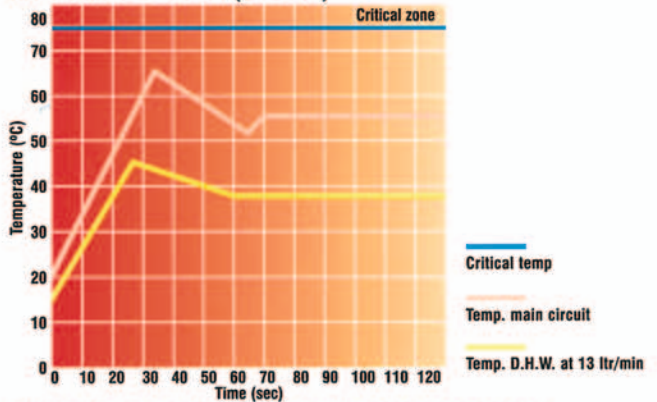
DOMESTIC HOT WATER			
Heat Output	kW	24	28
	Btu/h	81,883	95,530
Heat Input	kW	26.6	31.1
	Btu/h	90,750	106,100
Temperature Setting Range	°C	37/55	37/55
Max Permissible Working Pressure	bar	10	10
Max Recommended Operating Pressure	bar	5	5
Min Permissible Working Pressure	bar	0-3	0-3
Flow Rate ($\Delta t=25^{\circ}\text{K}$)	l/min	13.7	16
Flow Rate ($\Delta t=35^{\circ}\text{K}$)	l/min	9.5	11.4

OTHER DATA			
Voltage/Frequency	V/Hz	230/50	230/50
Power	W	150	170
Height	mm	800	800
Width	mm	450	500
Depth	mm	350	350
Weight	kg	45	48
Inlet/Outlet connections	"	3/4	3/4
Gas Inlet connection	"	3/4	3/4
D.H.W. Inlet/Outlet connection	"	1/2	1/2
Ø flue pipe	mm	60/100	60/100
Maximum horizontal length of flue pipe	m	2.65	2.65
Clearance requirements: Top and bottom 200mm. Either side 30mm.			

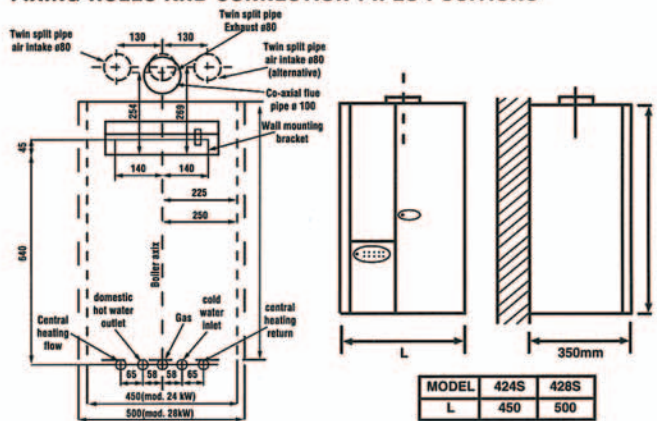
GRAPH 1 - NET PRESSURE HEAD



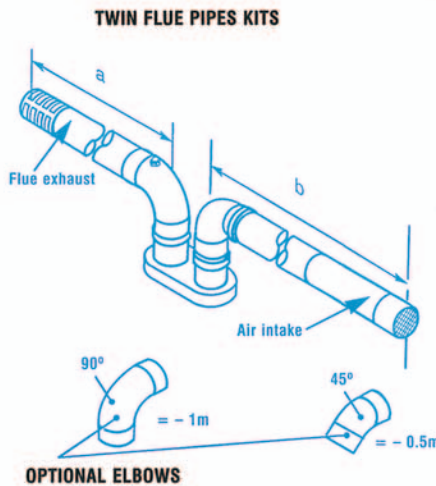
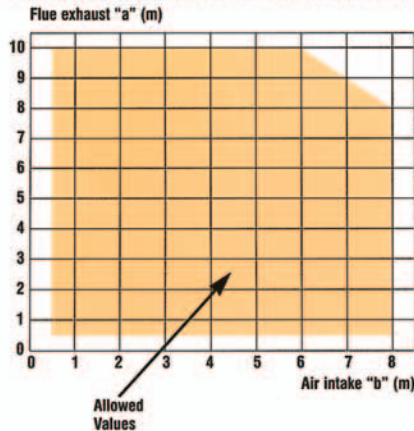
GRAPH 2 - TEMPERATURES WITH ANTI SCALE SYSTEM ($\Delta t=25^{\circ}$)



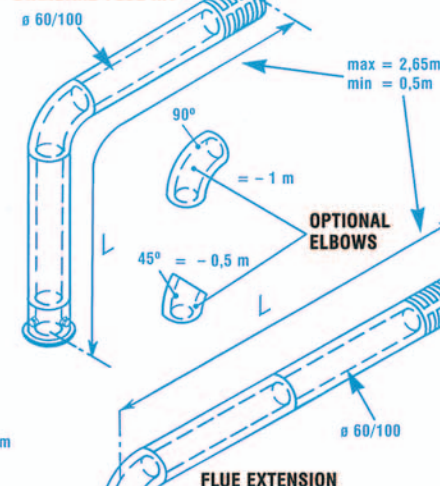
FIXING HOLES AND CONNECTION PIPES POSITIONS



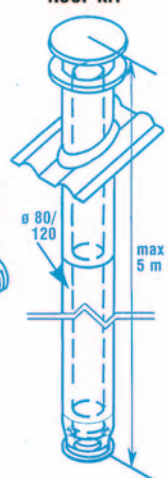
'ALLOWABLE LENGTHS FOR TWIN-SPLIT FLUE PIPE'



STANDARD FLUE KIT



VERTICAL ROOF KIT



CUSTOMER SERVICE HOTLINE For Service & Spares
Tel: 01902 304400 Fax: 01902 307160



Biasi UK Ltd, Units 31/33 Planetary Road Industrial Estate, Neachells Lane, Willenhall, Wolverhampton, WV13 3XB.
Tel: (Sales) 01902 304304. Fax: 01902 304321.

Our policy is one of continued improvement in both design and performance of our products. Biasi therefore reserves the right to alter or amend any details contained in this brochure and any associated literature without prior notification.