

Solar thermal domestic hot water system



For more than 150 years, Baxi has been at the forefront of heating technology – a renowned and respected brand, which has consistently led the way with new and pioneering heating solutions.

Global warming affects all of us. As a responsive and responsible manufacturer, we at Baxi are constantly looking at how to reduce the carbon dioxide (CO₂) emissions created by the heating products we manufacture. That's where the Baxi Solarflo™ range comes in. Baxi Solarflo™ is the result of many years' research and development by Baxi into environmentally friendly solar thermal domestic hot water systems and heating. It uses the free power of the sun to heat solar collectors, turning this renewable energy source into heat, to create hot water for the home. It's simple, effective and entirely renewable – which is good for the environment, and good for future generations.





Everywhere we look we are being urged to consider energy efficient options for our homes. As customers become more 'green' and governments encourage the use of renewable energy sources, solar energy is becoming more popular and the demand for it is increasing. As one of the leading names in the world of heating technology, we have been researching and developing environmentally sound alternatives for many years and the Baxi Solarflo™ system incorporates our latest innovations.

Solar energy in the UK

The Sun has been heating our bodies and drying our clothes for thousands of years but here in the UK we have not been using its potential to provide us with hot water. This begs the question would solar power work here? The fact is solar power is greater than most people imagine with enough energy hitting the earth in one minute to meet our demands for a whole year – if only we could harness it properly. The technology in a Baxi Solarflo™ system can utilise enough solar power to effectively heat 100% of a family's hot water in the summer and an average of around 55% of it annually making the investment into solar hot water systems worthwhile.

Why use Solar?

Savings for customers mean opportunities for installers

Real savings can be made over the medium to long term when homeowners switch to renewable energy sources. As the world's supply of gas diminishes, we must use this resource more efficiently and find other ways of meeting our hot water requirements. A Baxi Solarflo™ system gives customers a sustainable energy source which is free and natural, so it's becoming an attractive addition for customers and developers with an eye on the future. Thanks to the superb design and the training we offer, Baxi Solarflo™ systems are also easy for installers to fit.



BAXI How does it work?

Solar thermal water heating devices make use of free energy from the most abundant source we have – the Sun.

Flat plate collector panels or evacuated tubes, either fitted onto existing roofs or built into the roof structure of new build properties, absorb energy from the Sun and heat water in a specially designed water storage cylinder such as the Megaflo Solar® or the Megalife Solar® from Heatrae Sadia.

In the summer, this system can supply up to 100% of a home's hot water and even on dull days some hot water can be produced. Over the year, a well designed solar package provides approximately 55% of the annual domestic hot water demand, and can substantially reduce carbon emissions.

How Baxi Solarflo™ works

The collector panels work by transferring heat into fluid that is circulated to a solar coil in the base of the hot water storage cylinder. Here, the heat is transferred into the stored domestic hot water. The cooled fluid is then circulated back to the solar collectors to be re-heated, and the cycle is repeated.





Baxi Solarflo™ key features & benefits:

- On-roof, in-roof and flat roof solar collector panel packages available (1, 2 or 3 panels)
- Evacuated tube packages also available (20 or 30 tubes)
- Provides approximately 55% of a home's annual domestic hot water needs
- Substantially reduces CO₂ emissions
- The package consists of solar collector panel(s), a hydraulic pump station, controller and all the components required for safe operation
- Compatible with Heatrae Sadia's Megaflo solar range of cylinders
- National technical support and after-sales service from a single source
- Re-heat sensor provided as standard for auxiliary heating control
- Solar controller complete with built in energy monitor to provide energy saved by the system
- Control of boiler hot water schedule to maximise solar efficiency
- Compatible with majority of existing UK heating systems
- Industry leading warranties*
- SAP compliant**

* Subject to registration and an annual service.

** If maximum property size is not exceeded.



ON-ROOF



IN-ROOF



EVACUATED TUBES

BAXI Types of Solarflo™ collectors

Introducing a complete range of panel options to meet individual needs, tastes and requirements. Baxi solar panels are high quality. They carry the Solar Keymark certification and are suitable for a range of different installations including on-roof, in-roof or flat roof applications to effectively and efficiently harness natural energy from the Sun.

On-roof Solar Flat Plate Collector

This collector is mounted above the slate/tile roof and is ideal for homeowners who wish to install solar thermal domestic hot water to an existing building without having to disturb too much of the roof structure.

An A-frame option is also available for flat roof applications.

Features

- Flat plate aluminium frame collector
- Solar Keymark certified
- 10 year warranty*
- Gross collector area 2.02m²
- Absorber efficiency 95%
- Low lift weight of 39kg
- Ultrasonic welded to withstand high temperatures

Performance

	Aperture Area	
Area	1.922m ²	
Zero loss co-efficient	n0	0.733
Heat loss co-efficient	a1	3.606W/m ² K
Heat loss co-efficient	a2	0.012W/m ² K



Technical Data

Height	1730mm
Width	1170mm
Depth	83mm
Weight	35kg
Maximum pressure	10bar
Shutdown temperature	234°C

In-roof Solar Flat Plate Collector

The in-roof flat plate collectors are installed within the roof structure and are the perfect choice for all new build developments and homeowners who are having major roof refurbishments completed.

Features

- Flat plate wooden frame collector
- Solar Keymark certified
- 10 year warranty*
- Gross collector area 2.5m²
- Absorber efficiency 95%
- Lift weight of 54kg
- Ultrasonic welded so is suitable for high temperatures

Performance

	Aperture Area	
Area	2.32m ²	
Zero loss co-efficient	n0	0.78
Heat loss co-efficient	a1	3.796W/m ² K
Heat loss co-efficient	a2	0.013W/m ² K



Technical Data

Height	2058mm
Width	1227mm
Depth	105mm
Weight	49kg
Maximum pressure	10bar
Shutdown temperature	234°C



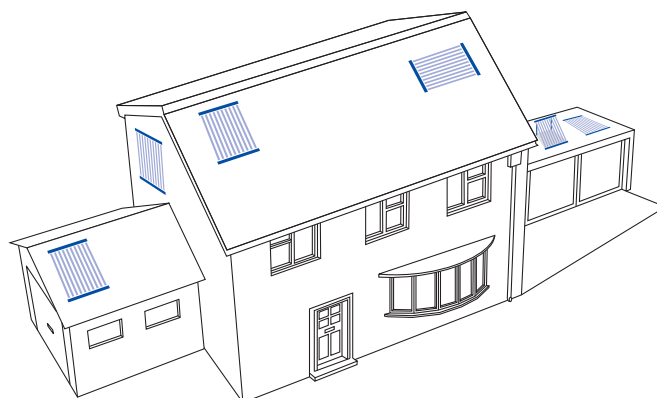
On-roof Evacuated Tube Collector

The Baxi evacuated tubes package is ideal for installation on new build developments and existing buildings. The collector is for on-roof application with the manifold and tubes sitting on top of the roof tiles/slate. The system is adaptable with both horizontal and vertical installations making it suitable for flat roof and façade applications. An A-frame option is also available for flat roof applications.



Features

- Gross absorber area 2m² & 3m²
- On roof 20 or 30 tube sets
- Solar Keymark certified
- 10 year warranty*
- Copper absorber, resistant to thermal shocks
- Sectional collectors, reduced lift weight
- Tool-free collector connection
- Combined tile, thin tile and slate roof mounting brackets sets as standard



Technical Data

No. of Tubes	10**	20	30
Height	1996mm	1996mm	1996mm
Width	709mm	1418mm	2127mm
Depth	97mm	97mm	97mm
Weight	25kg	55kg	81kg
Maximum pressure	8bar	8bar	8bar
Shutdown temperature	286°C	286°C	286°C

Performance

10 tube**	Aperture Area	
Area	1.07m ²	
Zero loss co-efficient	n0	0.781
Heat loss co-efficient	a1	1.44W/m ² K
Heat loss co-efficient	a2	0.0062W/m ² K

Performance

20 tube	Aperture Area	
Area	2.15m ²	
Zero loss co-efficient	n0	0.773
Heat loss co-efficient	a1	1.43W/m ² K
Heat loss co-efficient	a2	0.0059W/m ² K

Performance

30 tube	Aperture Area	
Area	3.23m ²	
Zero loss co-efficient	n0	0.779
Heat loss co-efficient	a1	1.07W/m ² K
Heat loss co-efficient	a2	0.0135W/m ² K

* Subject to registration and an annual service.

** 10 tube package is available as an accessory, see page 14 for details.

Baxi provides complete solar packages which enable the installer to easily fit the whole system. Additional solar accessories can be easily obtained to support Baxi solar packages (refer to the accessories section on page 14 for further details). All the components are covered by a 2 year parts and labour warranty subject to registration and an annual service.

To complete the system, add a Heatrae Sadia solar cylinder (refer to pages 15 and 16 for further details).

Solar Hydraulic Pump Station

The pump station is compact and incorporates all hydraulic functions in a neat package to ensure thermal safety.

Features

- Solar pump
- Service isolation valves fitted as standard
- Large, easy to read temperature gauges fitted as standard
- Optional relay to control immersion heater back up
- Fully insulated
- Fill and drain points
- Air separator
- Auxiliary heating re-heat sensor



Technical Data

Height	375mm
Width	250mm
Depth	190mm
Max continuous working temperature	120°C
Max short term starting temperature	120°C
Pressure relief valve setting	6 bar
Check valve operating pressure	20mbar

Solar Controller

The solar controller has a pictorial display making it easy to operate. It can control up to two collector fields e.g East/West array.

Features

- Simple menu driven programming
- Adjustable temperature differential regulation
- Battery back up stores set values
- Fitted into pump station as standard to simplify installation
- Can be easily removed and remotely fitted elsewhere in the home
- Supplied with temperature sensors for solar control, solar gain and auxiliary reheat
- Large clear multi-function LCD display
- Ability to control auxiliary heat source
- Advanced control functions
- System status and fault finding
- Can control up to two collector fields (e.g. East/West array)
- Can control up to two solar cylinders



Technical Data

Height	134mm
Width	175mm
Depth	56mm
Fault display functions	Yes
Auxiliary heat control	Yes
Solar gain measurement	Yes



Primary System Fluid

- 20 litres supplied as standard with each package (pre-mixed water/glycol solution protects to -21°C)
 - Tyfocor Type L supplied with panel collector
 - Tyfocor Type LS supplied with evacuated tube collector kits
- Note: These two products MUST NOT be mixed into one system
Tyfocor L is not suitable for evacuated tubes



Expansion Vessel

- 24 litre expansion vessel
- Special high temperature membrane
- Mounting bracket and flexible hose with self-sealing shut off valve



Evacuated tube mounting brackets shown above

Mounting Brackets /A frame (for on-roof application)

To ensure ease of installation we provide the mounting brackets, which have been specifically developed for all types of roofing situations and an A-frame option for flat roofs.



Flashing Kit (for all in-roof applications)

A bespoke flashing kit for either slate or tile roofs, giving a neat finish to the installation and ensuring the roof remains watertight.



2m Flexible Pipe Kit

Whether your installation is on-roof or in-roof this pipe kit provides easy connection from the collector panels into the roof space.

BAXI What system to use?

For solar hot water systems, the number of solar panels required is generally dependant on the size of the solar hot water cylinder and the size of the cylinder depends on the size of the house, number of bathrooms and people living in the property.

For guidance on the size of Baxi Solarflo™ package you need, simply take a look at the tables shown.

CUSTOMER CURRENTLY HAS A GAS BOILER (Indirect application)+

House	Max occupancy	On-roof panels	In-roof panels	Tube	Cylinder volume (l)	Dedicated solar (l) *	Volume characteristics					
							On-roof l/m ²	In-roof l/m ²	Tube l/m ²	Max property size (m ²)	Auxiliary volume	Cylinder heat loss (kW h/24h)
1 bed 1 bath or 1 shower	2	1	1	20	190	70	38	31	35	60	120	1.56
2 bed 1 bath or 1 shower	2	1	1	20	210	90	49	39	45	95	120	1.62
3 bed 1 bath or 1 shower	3	2	1	20	250	105	29	46	53	123	145	1.89
3 bed 1 bath and 1 ensuite shower	4	2	2	20	250	105	29	23	53	123	145	1.89
4 bed 1 bath or 1 shower	4 or 5	2	2	20	300	125	34	27	42	164	175	2.13
4 bed 2 bath or 1 bath and 1 shower	4 or 5	3	2	30	300	125	23	27	42	164	175	2.13
4/5 bed 2 bath or 1 bath and 1 shower	5	3	2	30	300	125	23	27	42	164	175	2.13

All cylinders are SAP compliant provided that the maximum property size is not exceeded.

* Dedicated solar volume in accordance with SAP requirements, please refer to 2006 Building Regulations Part L 1a



Megaflo Solar® Unvented
Cylinder (indirect)



Megalife Solar® Cylinder
(indirect)



CUSTOMER CURRENTLY HAS AN IMMERSION HEATER (Direct application)++

House	Max occupancy	On-roof panels	In-roof panels	Tube	Cylinder volume (l)	Volume characteristics						
						Dedicated solar (l)*	On-roof l/m ²	In-roof l/m ²	Tube l/m ²	Max property size (m ²)	Auxiliary volume	Cylinder heat loss (kW h/24h)
1 bed 1 shower	1	1	1	-	170	70	38	31	70	60	100	1.38
1 bed 1 bath 1 shower	2	1	1	20	210	70	38	31	35	60	140	1.62
2 bed 1 bath 1 shower	3	2	1	20	210	70	19	31	35	60	140	1.62
2 bed 1 bath 1 shower	4	2	2	20	260	90	24	20	45	60	170	1.92
3 bed 1 bath 1 shower	4	2	2	20	260	90	24	20	45	95	170	1.92
3 bed 2 bath 1 shower	4	3	2	30	300	100	18	22	33	95	200	2.13
4 bed 2 bath 1 shower	5	3	2	30	300	100	18	22	33	113	200	2.13

All cylinders are SAP compliant provided that the maximum property size is not exceeded.

* Dedicated solar volume in accordance with SAP requirements, please refer to 2006 Building Regulations Part L 1a



Megafluo Solar® Unvented Cylinder (direct)



Megalife Solar® Cylinder (direct)



On-roof

Baxi Slate & Tile On-roof System

Includes

- 1, 2 or 3 panels
- Solar controller
- Mounting rail and brackets
- Solar fluid
- Hydraulic pump station
- 2m flexible pipe kit
- Expansion vessel

Codes

1 panel	5122265
2 panel	5122266
3 panel	5122267



Baxi Flat Roof A-frame System

Includes

- 1, 2 or 3 panels
- Solar controller
- A-frame
- Solar fluid
- Hydraulic pump station
- 2m flexible pipe kit
- Expansion vessel

Codes

1 panel	5122262
2 panel	5122263
3 panel	5122264



In-roof

Baxi Slate In-roof System

Includes

- 1 or 2 panels
- Solar controller
- Mounting rail and brackets
- Solar fluid
- Hydraulic pump station
- 2m flexible pipe kit
- Expansion vessel
- Slate flashing kit

Codes

1 panel	5122245
2 panel	5122246



Baxi Tile In-roof System

Includes

- 1 or 2 panels
- Solar controller
- Mounting rail and brackets
- Solar fluid
- Hydraulic pump station
- 2m flexible pipe kit
- Expansion vessel
- Tile flashing kit

Codes

1 panel	5122271
2 panel	5122272



Evacuated tube

Baxi Evacuated Tubes for Slate or Tile Pitched Roof

Includes

- 20 or 30 tubes
- Solar controller
- Mounting rail and brackets
- Solar fluid
- 30m flexible stainless steel pipe kit
- Hydraulic Pump Station
- 2m flexible pipe kit
- Expansion vessel
- Manifold

Codes

20 tube*	5130214
30 tube	5130215



* Evacuated tubes can be orientated portrait of landscape to suit application. The 20 tube kit is also compatible with an additional separate 10 evacuated tube collector for flexibility of siting where roof obstructions might prevent siting of a 30 tube kit.

Baxi Evacuated Tubes for Flat Roof

Includes

- 20 or 30 tubes
- Solar controller
- A-frame
- Solar fluid
- 30m flexible stainless steel pipe kit
- Hydraulic Pump Station
- 2m flexible pipe kit
- Expansion vessel
- Manifold

Codes

20 tube	5130216
30 tube	5130217



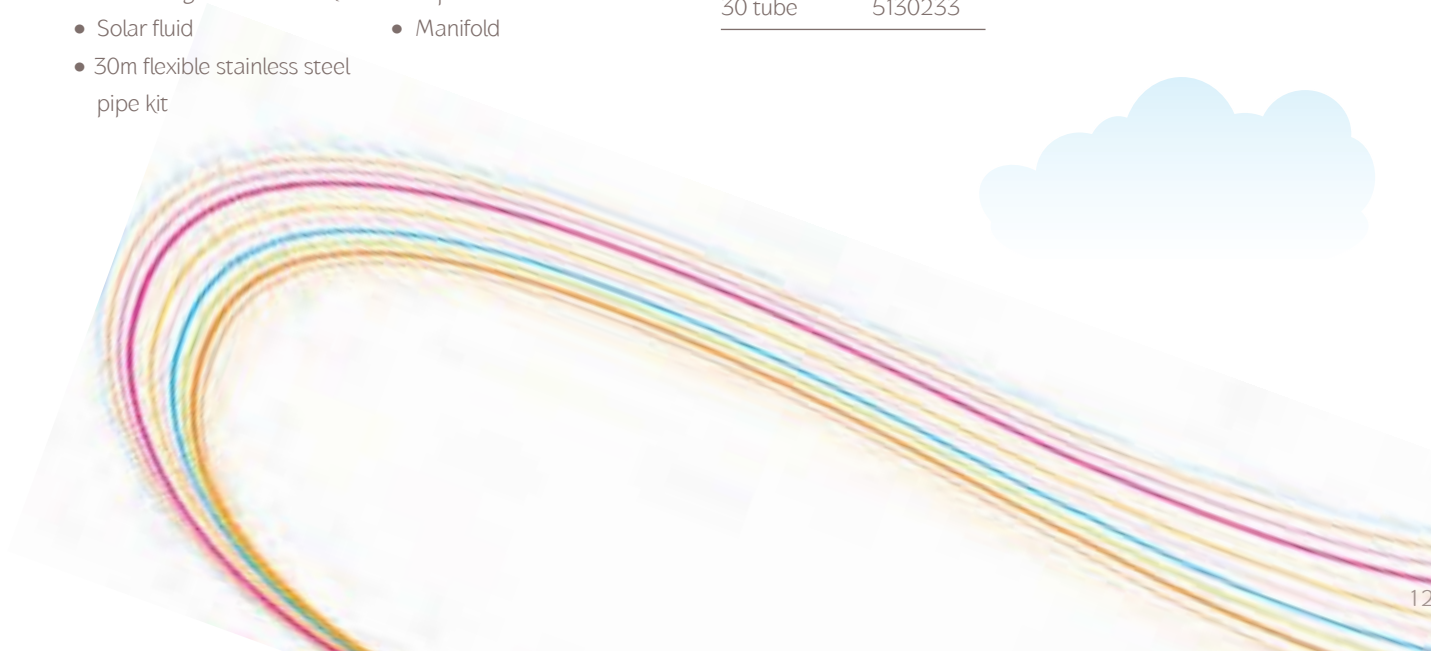
Baxi Evacuated Tubes for Building Façade

Includes

- 20 or 30 tubes
- Solar Controller
- Mounting rail and brackets
- Solar fluid
- 30m flexible stainless steel pipe kit
- Hydraulic Pump Station
- 2m flexible pipe kit
- Expansion vessel
- Manifold

Codes

20 tube	5130232
30 tube	5130233



BAXI East/West array kits

The East/West array package is perfect for roof orientations which are not south facing. The kit enables collectors to be fitted on either side of the roof structure with one panel facing east and one facing west.

East/West array kits enable solar gain around the building throughout the day.

The solar controller supplied with the main hydraulic pump station (see Installation Guide on www.baxi.co.uk) already has the facility built in to control an East/West array.

A Baxi Solarflo™ 2 panel in-roof flat plate package, 2 panel on-roof flat plate package or Baxi evacuated tubes (20 or 30 tube kits) can be transformed into an East/West arrange by adding the appropriate kit from below:

Multifit Solar™ – Flat plate on-roof East/West array kit	5129979
Multifit Solar™ – Flat plate in-roof tile East/West array kit	5129981
Multifit Solar™ – Flat plate in-roof slate East/West array kit	5129982
Multifit Solar™ – Evacuated tube East/West array kit*	5129980

* The Baxi evacuated tube East/West array kit (5129980) contains a suitably sized 10 tube collector for mounting on the East face, to be added to the standard 20 or 30 tube kits installed on the West face.

Multifit Solar™ - Flat plate on-roof kit (5129979)

- 2m flexible pipe kit
- 13m solar sensor wire
- 1 panel slate and tile roof mounting kit
- Hydraulic pump station
- Solar panel sensor
- 2 x 22mm Tee compression fittings

Multifit Solar™ - Flat plate in-roof tile kit (5129981)

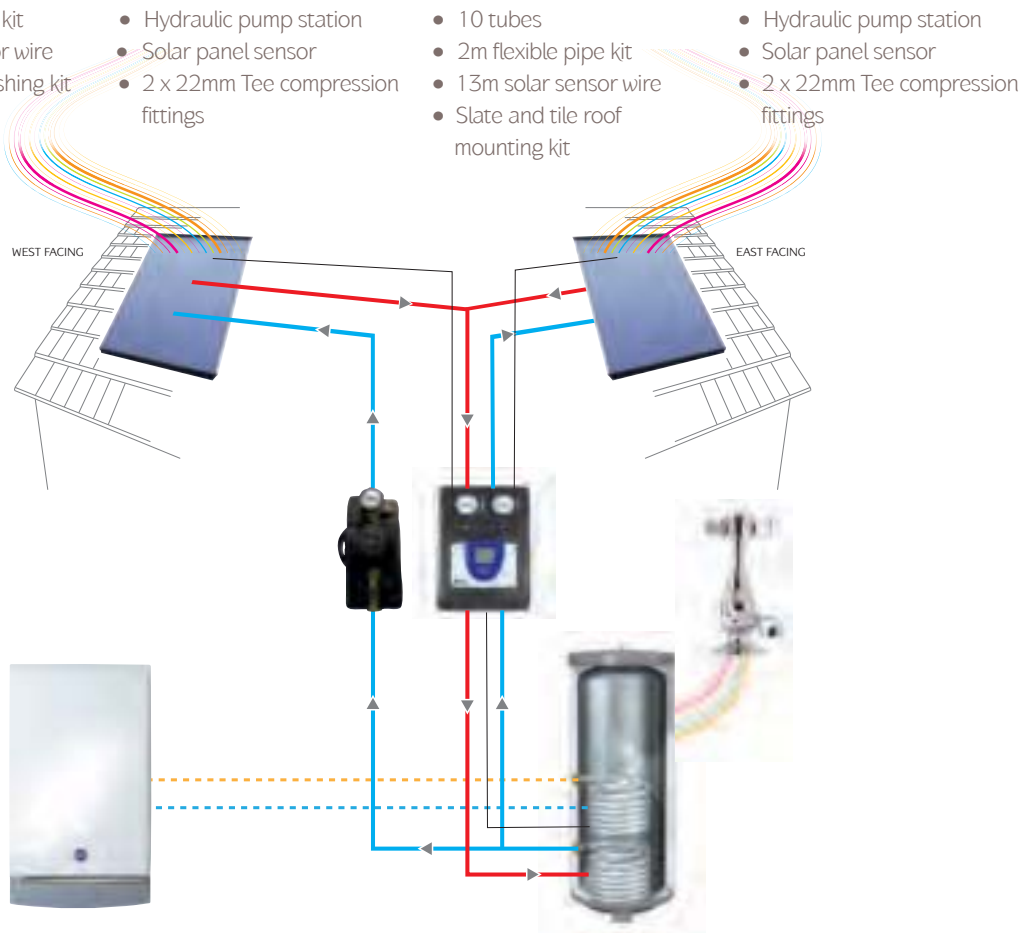
- 2m flexible pipe kit
- 13m solar sensor wire
- 1 panel tile flashing kit
- Hydraulic pump station
- Solar panel sensor
- 2 x 22mm Tee compression fittings

Multifit Solar™ - Flat plate in-roof slate kit (5129982)

- 2m flexible pipe kit
- 13m solar sensor wire
- 1 panel slate flashing kit
- Hydraulic pump station
- Solar panel sensor
- 2 x 22mm Tee compression fittings

Multifit Solar™ - Evacuated tube kit (5129980)

- 10 tubes
- 2m flexible pipe kit
- 13m solar sensor wire
- Slate and tile roof mounting kit
- Hydraulic pump station
- Solar panel sensor
- 2 x 22mm Tee compression fittings





Fittings

Multifit Solar™ – 6 x 22mm Pipe Compression fittings - MALE	High temperature compression fittings	5122762
Multifit Solar™ – 6 x 22mm Pipe Compression fittings - FEMALE	High temperature compression fittings	5122763
Multifit Solar™ – 6 x 22mm Pipe Compression fittings - TEE	High temperature compression fittings	5122764
Multifit Solar™ – 30m Flexible Stainless Steel Pipe Kit	To enable simpler pipework/reduce joints	5122238

Solar Fluid

Multifit Solar™ – Solar Fluid Type LS 20 Ltr*	Can be used to fill either panel or tube collectors	5130225
Multifit Solar™ – Solar Fluid Type L 20 Ltr*	Can only be used to fill flat plate collectors	5119549
Multifit Solar™ – Electric Fluid Filling Pump	Fill and pressurise system with the provided solar fluid	5130234
Multifit Solar™ – Hand Fluid Filling Pump	Fill and pressurise system with the provided solar fluid	5122761

*These two products MUST NOT be mixed in one system

Accessories

Multifit Solar™ – 13m Solar Sensor Wire	Collector sensor wire 13m extension	5122237
Relay – Direct heating	Relay required to enable immersion heater control	5122765
Multifit Solar™ – Refractometer Antifreeze Test Kit	Enables checking of viscosity of glycol in system	5119559
Multifit Solar™ – Thermostatic blending valve for cylinder outlet	High temperature valve to deliver a regulated water supply	720223301
Multifit Solar™ – Mechanical flowmeter	Provides accurate measurement of solar gain in kWh	84515064

Evacuated Tube Accessory

Additional 10 evacuated tube collector for slate/tile	Only for use with the 20 tube slate/tile pitched roof kit* 5130243
---	--

* 20 tube slate/tile pitched roof kit code: 5130214



BAXI Cylinder specifications

Megafluo Solar[®] and Megalife Solar[®] storage cylinders from Heatrae Sadia are perfect for use with the Baxi Solarflo[™] packages.

Megafluo Solar[®] unvented and Megalife Solar[®] vented cylinders have a specifically designed solar heating coil at the base of the cylinder, to ensure maximum heat input and efficiency from the solar energy - unlike some other 'twin coil' cylinders which simply use heating coils designed for traditional boiler heated cylinders.

Direct versions are available with a dedicated solar coil and electric immersion heater (auxiliary heat input) in capacities of 170, 210, 260 and 300 litres. Indirect versions are available with a dedicated solar coil and a secondary coil for gas, oil or electric boiler (auxiliary heat input) in capacities of 190, 210, 250 and 300 litres.

Megafluo Solar[®] and Megalife Solar[®] cylinders provide a dedicated solar volume as required in the Domestic Heating Compliance Guide of Part L of the Building Regulations 2006 (SAP compliant).

Megafluo Solar[®] Unvented Cylinder

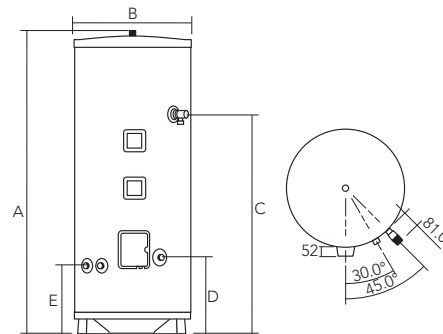
Megafluo Solar[®] cylinders are unvented, utilising mains water supply that can provide a superior domestic hot water flow rate.

- Megafluo Solar[®] cylinders based on market-leading Megafluo HE cylinder
- Direct or indirect auxiliary heating
- SAP compliant*
- Mains pressure unvented domestic hot water up to 72l/min
- Large 1.1m² solar coil to maximise solar gain
- Designed for compatibility with Baxi Solarflo[™] thermal system
- Duplex stainless steel cylinder for long life
- Secondary return boss in cylinder to maximise solar efficiency (indirect units only)
- No anode required
- Built-in feet for easy floor standing
- External expansion vessel
- Quick reheat times
- Low heat loss with 50mm thick insulation
- Auxiliary 3 kW back-up immersion heater
- Easy installation with all connections within 45° radius
- KIWA approved
- 25 year transferable inner-container warranty**
- 2 year transferable warranty on controls, immersion heater and all other parts*

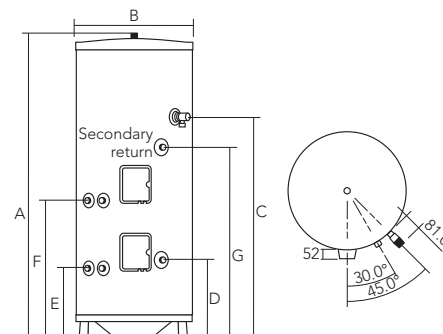
* If maximum property size is not exceeded.

** Subject to registration and an annual service.

Direct - a solar cylinder that has a solar coil only



Indirect - a solar cylinder that has a heating coil and a solar coil (i.e. twin coil)



Dimensions

Model	Dimensions (mm)						
	A	B	C	D	E	F	G
Megafluo 190 indirect	1401	552	1137	412	370	732	1017
Megafluo 210 indirect	1502	552	1181	412	370	892	1054
Megafluo 250 indirect	1760	552	1376	412	370	1140	1256
Megafluo 300 indirect	2067	552	1692	412	370	1438	1571
Megafluo 170 direct	1245	552	925	412	370	-	-
Megafluo 210 direct	1502	552	1181	412	370	-	-
Megafluo 260 direct	1795	552	1411	412	370	-	-
Megafluo 300 direct	2067	552	1692	412	370	-	-



Megalife Solar[®] Cylinder

Megalife Solar[®] cylinders are vented, utilising a water supply that is open to atmosphere and is ideal if a header tank is retained.

Megalife Solar[®] cylinders are ideal for upgrading traditional vented hot water systems to solar.

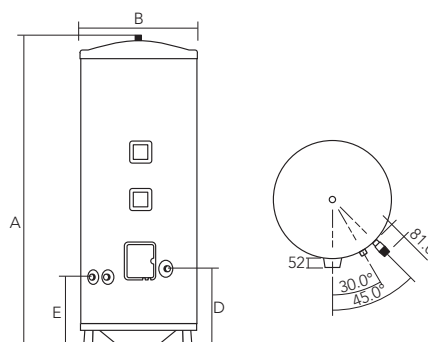
- Cistern fed (vented cylinder)
- Direct or indirect auxiliary heating
- SAP compliant*
- Large 1.1m² solar coil to maximise solar gain
- Designed for compatibility with Baxi Solarflo[™] thermal system
- Duplex stainless steel cylinder for long life
- Secondary return boss in cylinder to maximise solar efficiency (indirect units only)
- No anode required
- Built-in feet for easy floor standing
- Quick reheat times
- Low heat loss with 50mm thick insulation
- Auxiliary 3 kW back-up immersion heater
- Easy installation with all connections within 45° radius
- KIWA approved
- 25 year transferable inner-container warranty**
- 2 year transferable warranty on controls, immersion heater and all other parts*

* If maximum property size is not exceeded.

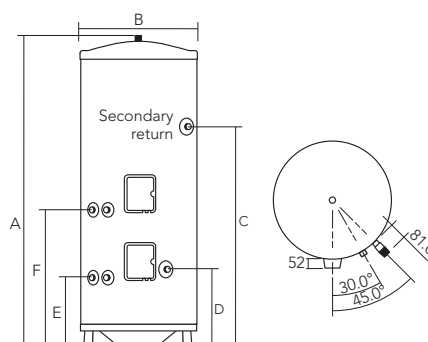
** Subject to registration and an annual service.

For further details on the range of cylinders available from Heatrae Sadia, please call 01603 420 220 or email specifier@heatraesadia.com

Direct - a solar cylinder that has a solar coil only



Indirect - a solar cylinder that has a heating coil and a solar coil (i.e. twin coil)



Dimensions

Model	Dimensions (mm)					
	A	B	C	D	E	F
Megalife 190 indirect	1401	552	1137	412	370	732
Megalife 210 indirect	1502	552	1181	412	370	892
Megalife 250 indirect	1760	552	1376	412	370	1140
Megalife 300 indirect	2067	552	1692	412	370	1438
Megalife 170 direct	1245	552	-	412	370	-
Megalife 210 direct	1502	552	-	412	370	-
Megalife 260 direct	1795	552	-	412	370	-
Megalife 300 direct	2067	552	-	412	370	-

Training to the highest standards.

Baxi offers a range of solar training courses for installers to help keep you informed of the latest industry developments and provide you with the relevant product knowledge and skills to ensure best practice.

To enable national coverage, we have three training centres based in Dartford, Warrington and Warwick. Our training centres are fully equipped with lecture facilities, hands-on bays and spacious workshops for effective learning.

Solar Appreciation Course – Duration: 1 day. Cost: £50 - Dartford, Warrington and Warwick

What is covered?

In response to the Government's CO₂ reduction targets and their effect on building regulations, this course aims to give installers, heating engineers and maintenance engineers an appreciation of all aspects of the installation and commissioning of Baxi solar thermal water heating systems plus an overview of ground source heat pumps.

- Solar systems
- Why solar?
- Types of solar system
- Types of solar collector
- Baxi Group solar packages
- Installation of solar systems
- Commissioning
- Operation

Solar Thermal Domestic Hot Water Course (BPEC Certification) – Duration: 2 days.

Cost: £325 - Dartford, Warrington and Warwick

What is covered?

The course and assessment will cover the most common domestic solar hot water systems installed in the UK. Successful candidates will receive BPEC Certification.

The following systems are covered:

- Fully filled sealed systems
- Drain back systems
- Flat plate collectors
- Evacuated tube collectors
- Direct flow evacuated tube collectors

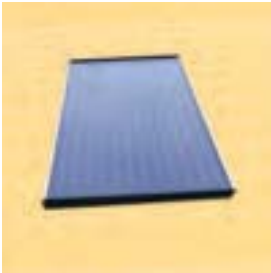
Candidates must hold:

A G3 Unvented Hot Water Systems certificate and a recognised qualification in a conventional fuel (Gas Safe, Oftec, Hetas) or an NVQ 2 or equivalent plumbing qualification.

For further details on training courses, please visit www.baxigrouptraining.co.uk or call 0845 600 7402



From Solar heating to micro-generation heating technology,



Baxi Solarflo™



Baxi Geoflo™



Baxi Bioflo™



Baxi Ambiflo™



Baxi DACHS mini-CHP



Baxi Ecogen™

Baxi is fast becoming one of the UK's leaders in the arena of renewable energy. In addition to Baxi Solarflo™, Baxi has one of the largest ranges of renewable products available including; Biomass, Micro CHP, Ground source heat pumps and Air source heat pumps. Don't forget our extensive range of HE boilers. With their impressive energy efficient ratings, you'll find a model to suit all situations.

Contact us

For all enquiries, please call

0844 871 1568

Open Monday - Friday, 8am - 6pm

Saturdays & Bank Holidays, 8.30am - 2pm

We are closed on Christmas Day & New Year's Day

or email info@baxi.co.uk

Please note calls may be monitored or recorded.

350622/04

BAXI

Baxi, A Baxi Group company
Brooks House, Coventry Road, Warwick, CV34 4LL

www.baxi.co.uk

B/SOL/Oct10/V5



This Brochure is printed on paper sourced from well managed forests and other controlled sources. This Brochure is printed using vegetable based inks. Please recycle this Brochure when you have finished with it.

Baxi policy is one of continual improvement and development. The right to change specification and appearance without prior notice is reserved. The reproduction of colours is as accurate as photographic and printing processes allow. The consumer's statutory rights are not affected. e&oe.