

# BAXI FIRES DIVISION

## SECURING BRACKETS ADDENDUM

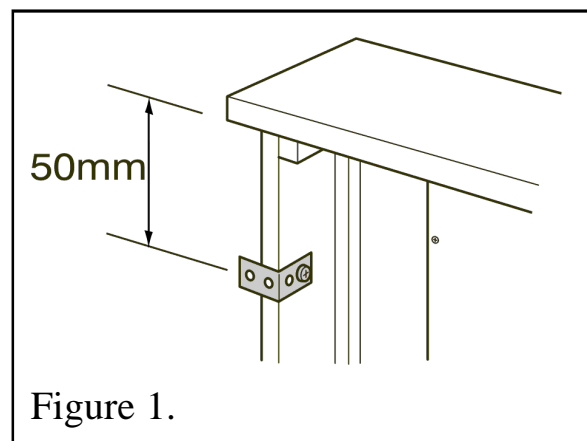
This addendum is for use with the **Miami** and **Dallas** surrounds. It must be read in conjunction with the installer and owner guide supplied with the surround.

As part of our policy to constant development and improvement a new design of surround securing bracket has been supplied with your surround.

The section headed 'Securing the surround assembly' must be replaced with the following:

### Securing the Surround assembly.

- Place the wall fixing brackets 50mm from the top outside edge of the legs as shown in figure 1. Secure in place using a screw (J).



- Position the Hearth in place. Carefully move the Surround assembly into place. Ensure that the Surround is central to the Hearth. Mark the positions of the bracket holes on the wall. Move the assembly aside and drill suitable sized holes. Insert the wall plugs (L). Position the whole assembly into position and secure using two screws (M).

*Note: The wall plugs are only suitable for brick or block walls. For timber framed walls covered in plaster board we recommend the use of heavy duty cavity fixings.*

**BAXI ● VALOR ● WONDERFIRE**