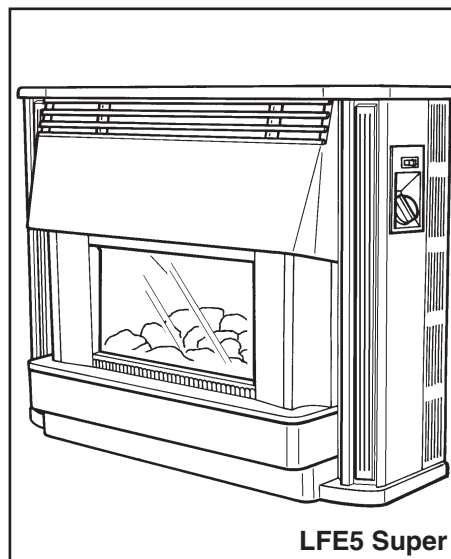
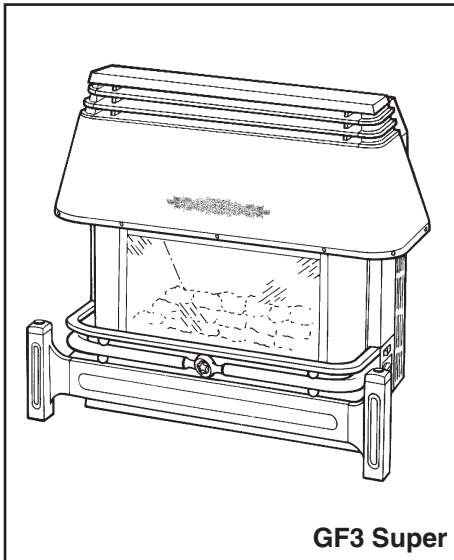


Baxi Bermuda GF3/LFE5 Super

Fireside Gas Central Heating Units

Installation and Servicing Instructions



BAXI

Natural Gas

Baxi Bermuda GF3 Super

G.C.No. 37 077 59

Baxi Bermuda LFE5 Super

G.C.No. 37 077 61

For use with the following boilers:

Baxi Bermuda 45/4 M

G.C.No. 44 077 71

Baxi Bermuda 45/4 E

G.C.No. 44 077 73

Baxi Bermuda 57/4 M

G.C.No. 44 077 72

Baxi Bermuda 57/4 E

G.C.No. 44 077 74

Baxi Bermuda 51/5

G.C.No. 44 075 06

Propane Gas

Baxi Bermuda GF3 Super Propane

G.C.No. 37 077 69

For use with the following boiler:

Baxi Bermuda 553 Propane

G.C.No. 44 077 75

Renewal

Baxi Bermuda GF3 Super Renewal

G.C.No. 37 075 01A

Baxi Bermuda LFE5 Super Renewal

G.C.No. 37 075 03A

For use with the following boilers:

Baxi Bermuda 401

G.C.No. 44 077 49

Baxi Bermuda 552

G.C.No. 44 077 50

Baxi Bermuda 45/3 M

G.C.No. 44 077 61

Baxi Bermuda 45/3 E

G.C.No. 44 077 60

Baxi Bermuda 57/3 M

G.C.No. 44 077 63

Baxi Bermuda 57/3 E

G.C.No. 44 077 62

Baxi Bermuda 45/4 M

G.C.No. 44 077 71

Baxi Bermuda 45/4 E

G.C.No. 44 077 73

Baxi Bermuda 57/4 M

G.C.No. 44 077 72

Baxi Bermuda 57/4 E

G.C.No. 44 077 74

Baxi Bermuda 51/5

G.C.No. 44 075 06

Baxi is one of the leading manufacturers of domestic heating products in the UK.

Our first priority is to give a high quality service to our customers. Quality is built into every Baxi product - products which fulfil the demands and needs of customers, offering choice, efficiency and reliability.

To keep ahead of changing trends, we have made a commitment to develop new ideas using the latest technology - with the aim of continuing to make the products that customers want to buy.

Everyone who works at Baxi has a commitment to quality because we know that satisfied customers mean continued success.

We hope you get a satisfactory service from Baxi. If not, please let us know.



**Baxi is a BS-EN ISO 9001
Accredited Company**

Codes of Practice, most recent version should be used

In GB the following Codes of Practice apply:

Standard	Scope
BS 6891	Gas Installation.
BS 5546	Installation of hot water supplies for domestic purposes.
BS 5871	Installation of gas fires, convector and fire/back boilers.
BS 5440 Part 1	Flues.
BS 5440 Part 2	Ventilation.
BS 6798	Installation of gas fired hot water boilers.
BS 5449 Part 1	Forced circulation hot water systems.

In IE the following Codes of Practice apply:

Standard	Scope
I.S. 813	Domestic Gas Installations.

The following BS standards give valuable additional information:

BS 5546	Installation of hot water supplies for domestic purposes.
BS 5449 Part 1	Forced circulation hot water systems.

IMPORTANT - The addition of anything that may interfere with the normal operation of the appliance without express written permission from the manufacturer or his agent could invalidate the appliance warranty. In GB this could also infringe the **GAS SAFETY** (Installation and Use) **REGULATIONS**.

IMPORTANT - Installation, Commissioning, Service & Repair

This appliance must be installed in accordance with the manufacturer's instructions and the regulations in force. Read the instructions fully before installing or using the appliance.

In GB, this must be carried out by a competent person as stated in the Gas Safety (Installation & Use) Regulations.

Definition of competence: A person who works for a CORGI registered company and holding current certificates in the relevant ACS modules, or valid ACoP equivalents, is deemed competent.

In IE, this must be carried out by a competent person as stated in I.S. 813 "Domestic Gas Installations".

Information

Safe Installation

The appliance is suitable only for installation in GB and IE and should be installed in accordance with the rules in force.

In GB, the installation must be carried out by a CORGI Registered Installer. It must be carried out in accordance with the relevant requirements of the:

- Gas Safety (Installation & Use) Regulations.
- The appropriate Building Regulations either The Building Regulations, The Building Regulations (Scotland), Building Regulations (Northern Ireland).
- The Water Fittings Regulations or Water Byelaws in Scotland.
- The Current I.E.E. Wiring Regulations.

Where no specific instructions are given, reference should be made to the relevant British Standard Code of Practice.

In IE, the installation must be carried out by a competent Person and installed in accordance with the current edition of I.S. 813 'Domestic Gas Installations', the current Building Regulations and reference should be made to the current ETCI rules for electrical installation.

These Instructions must be read in conjunction with those for the Boiler Section before installing or using this appliance.

Installation Instructions

These instructions must be read in conjunction with the separate instructions for the boiler section

INTRODUCTION

This unit is the gas fire section of the Bermuda GF3 Super or LFE5 Super central heating boiler and gas fire. The heat input is 5.70kW (19,450 Btu/h) and the fire is available for use with Gas Type G20 (Natural Gas) at 20mbar or Gas Type G31 (Propane). The fire is controlled by a knob positioned on the right hand side of the case. Ignition is by piezo spark to the pilot (Fig 13). For details of the GF3 Super Propane appliance see page 15.

The control knob has six positions giving a choice of five output rates.

POSITION	-	THE FIRE IS OFF.
POSITION ●	-	IGNITION/PILOT.
POSITION ★▲	-	THE FIRE IS ON LOW.
POSITION 2	-	THE FIRE IS ON MEDIUM.
POSITION 3	-	THE FIRE IS ON MEDIUM/HIGH.
POSITION 4	-	THE FIRE IS ON HIGH.

The artificial coal bed is illuminated by two concealed lamps. These lamps are operated by a switch adjacent to the control knob.

SITE REQUIREMENTS

The principal site requirements are determined by the boiler but the following details are essential for the correct installation of the fire:

Fireplace opening: (Fig.1)

Width	406mm (16in) MIN	584mm (23in) MAX
Height	560mm (22in)	

Wherever possible always make the fireplace opening to the maximum dimensions.

Hearth: If the fire is to be hearth mounted, the hearth must be at least 13mm (1/2in) thick non-combustible material. It must be at least 300mm (12in) (326mm (12¹³/₁₆in) for GF3 Super) deep x 897mm (35⁵/₁₆in) wide, centrally placed about the fireplace opening and at the same level as the base of the builders opening. The top surface of the hearth should be a minimum of 50mm (2in) above floor level and must be level with the base of the opening. **On no account should the fire unit be fitted directly onto a combustible floor or carpet.**

Surround or Wall Finish: (Figs.1 and 2) The wall behind the fire must be non-combustible. The surround or wall finish must have a flat vertical area centrally placed about the opening measuring a minimum of 789mm (31in) high by 1015mm (40⁵/₁₆in) wide for LFE5 Super and 765mm (30¹/₈in) high by 765mm (30¹/₈in) wide for GF3 Super. If a surround is fitted any gaps between it and the wall must be sealed and it must have a rating of 100°C or higher.

Wall Fixing: (Fig.2) The bottom of the fire must be 100mm (4in) to 125mm (5in) above the floor level.

It is strongly recommended that the fireplace opening is made to the maximum dimensions.

A shelf may be fitted above the fire provided that it is not less than 76mm (3in) above the top of the fire and does not exceed 230mm (9in) in depth. A minimum clearance of 25mm (1in) at the left hand side and 76mm (3in) at the right hand side must be catered for. The area between the shelf and the top of the fire must be non-combustible.

Ventilation: Ventilation air supply should be in accordance with the relevant standards. In GB this is BS 5440 Pt. 2. In IE this is I.S. 813 "Domestic Gas Installations". The permanent ventilation area size requirements are:-

GF3/LFE5 & 45/4	69.075cm ² (10.7in ²)
GF3/LFE5 & 57/4	89.685cm ² (13.9in ²)
GF3/LFE5 & 51/5	75.45cm ² (11.7in ²)

The permanent vent may be directly into the room containing the appliance. The vent may also be sited in another room provided an interconnecting vent is used. The vent must not be installed inside the builders opening. The vent should be sited following good practice for a habitable room.

We recommend the use of the stadium BM700 or BM701 ventilator which is available from your local merchant.

Important Information

This product contains Refractory Ceramic Fibres (R.C.F.) which are man-made vitreous silicate fibres. Excessive exposure to these materials may cause temporary irritation to eyes, skin and respiratory tract. Care must be taken when handling these articles to ensure the release of dust or fibres is kept to a minimum.

To ensure that the release of fibres from these articles is kept to a minimum, during installation and servicing it is recommended that a H.E.P.A. filtered vacuum is used to remove any dust, soot or other debris accumulated in and around the appliance. This should be performed before and after working on the installation.

It is recommended that any replaced item(s) are not broken up but sealed within heavy duty polythene bags and clearly labelled "R.C.F. waste". This is not classified as "hazardous waste" and may be disposed of at a tipping site licensed for the disposal of industrial waste.

Protective clothing is not required when handling these articles but it is recommended that gloves are worn and the normal hygiene rules of not smoking, eating or drinking in the work area are followed and always wash hands before eating or drinking.

ELECTRICAL CONNECTIONS

The electrical supply to the fire is via a length of 3 core cable with 3 pin socket provided. The cable must be connected to the electrical plug and socket on the boiler base (Fig.4). These connections should be made when the boiler electrical connection is made as follows: (See also Boiler Installation Instructions). The supply must be 230V 50Hz 110W.

Manual Controls Models

- CONNECT THE BLUE WIRE TO THE TERMINAL MARKED 'N'.
- CONNECT THE BROWN WIRE TO THE TERMINAL MARKED 'L2'.
- CONNECT THE GREEN/YELLOW WIRE TO THE TERMINAL MARKED $\frac{1}{1}$.

Electronic Controls Models

- CONNECT THE BLUE WIRE TO THE TERMINAL MARKED 'N'.
- CONNECT THE BROWN WIRE TO THE TERMINAL MARKED 'L'.
- CONNECT THE GREEN/YELLOW WIRE TO THE TERMINAL MARKED $\frac{1}{1}$.

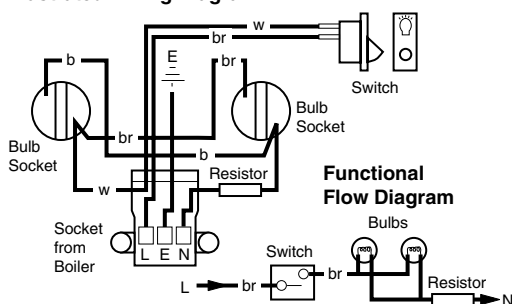
NOTE: ON THE 51/5 BOILER THE FIRE EARTH IS CONNECTED TO THE BOILER CHASSIS.

A permanent live must be fitted to the remaining terminal in the socket marked 'L2' or 'L'. (See Boiler Instructions).

NOTE: Both the fire and the boiler must be supplied by the same isolating switch.

4 core input cable for connection to the boiler unit must NOT be less than 0.75mm² (24 x 0.2mm) PVC to IEC53code 227 (heat resistant).

Illustrated Wiring Diagram



Commissioning the Fire

1. Remove the polystyrene fitting securing the coal bed (Fig.11) as follows:
 - (a) Disengage the front panel retaining clamps and remove the glass front panel.
 - (b) Remove the polystyrene fitting securing the coal bed.
 - (c) Carefully remove the coal bed from its plastic bag.

CAUTION: The coal bed is extremely fragile and must be handled accordingly. Gloves should be worn and any inhalation of the dust should be avoided. Keep the coals away from children at all times. Please read the Important Information Section on page 3.

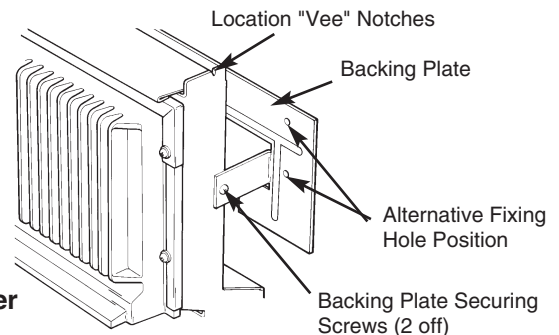
 - (d) Replace the coal bed and glass front panel.
2. Remove the pressure test point sealing screw and connect a pressure gauge (Fig.6).
3. Turn on the gas service tap (at present supplying gas to the boiler only) fully anti-clockwise. The service tap is now supplying both the boiler and the fire (Fig.4).
4. Purge according to in GB BS 6891 and in IE the current edition of I.S. 813 "Domestic Gas Installations".
5. To light the fire pilot - fit the fire control knob, and ensure that it is fully clockwise. Push in and turn anti-clockwise past the positive stop at the pilot (★▲) position to operate the igniter. Repeat until the pilot lights. Continue to hold in the control knob for a further 15 seconds. Release slowly and the pilot should stay alight. If the pilot does not stay alight turn the control knob to the OFF position fully clockwise and repeat.
6. Check that the fire burner lights smoothly by pushing in the knob and turning fully anti-clockwise. Test for gas soundness with leak detection fluid.
7. Check the fire pressure with the control knob in position 4 fully anti-clockwise. The pressure should be 13.8mbar \pm 0.5mbar (5.5 in. wg. \pm 0.2 in. wg.) for LFE5 and 14.5mbar \pm 0.5mbar (5.8 in. wg. \pm 0.2 in. wg.) for GF3.
8. Turn the control knob clockwise to the OFF position (●). Remove the pressure gauge and refit the pressure test point sealing screw, ensuring a gas tight seal.
9. Test for clearance of flue products as follows:
 - (a) Ensure that all doors and windows are closed.
IMPORTANT NOTE: If there is an extractor or ceiling fan in the room or adjoining room then the spillage test must be performed with the fan turned on and any interconnecting doors between the fan and the appliance left open.
 - (b) Turn on the fire (position 4 fully anti-clockwise).
 - (c) After 5 minutes take a smoke match and insert it into the boiler draught diverter in the position shown (Fig.8). If the majority of the smoke is not drawn into the chimney spillage is indicated and the fire must be operated for a further 10 minutes before rechecking. If spillage is still evident the cause must be ascertained and rectified before continuing with commissioning.
 - (d) Repeat with both fire and boiler alight, having run the boiler for 5 minutes.
10. Fit the case as follows:
 - (a) Remove the control knob.
 - (b) Lift the outercase over the heat exchanger and locate the two 'vee' notches in the top of the case into the 'vee' notches at the top of the inner case (Fig.5).
 - (c) Secure the outercase to the inner case using the two securing screws provided (Fig.6).

11. Plug in the electrical supply to the case and fit the controls cover panel and control knob (Fig.13).

12. Check the operation of the light effect by operating the switch adjacent to the control tap (Fig.9).

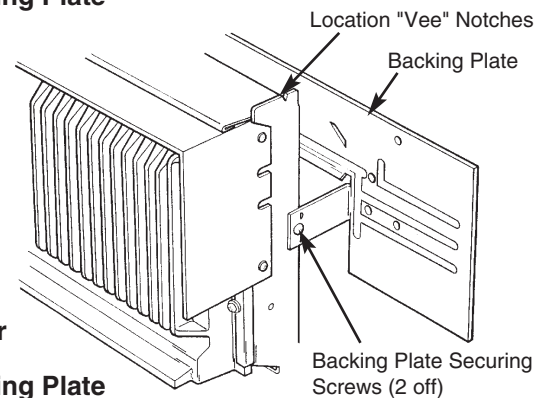
13. Hand the user the User's Instructions, explain the operation of the boiler and fire and leave the unit set to suit their requirements.

14. Leave these instructions with the user or adjacent to the gas meter.



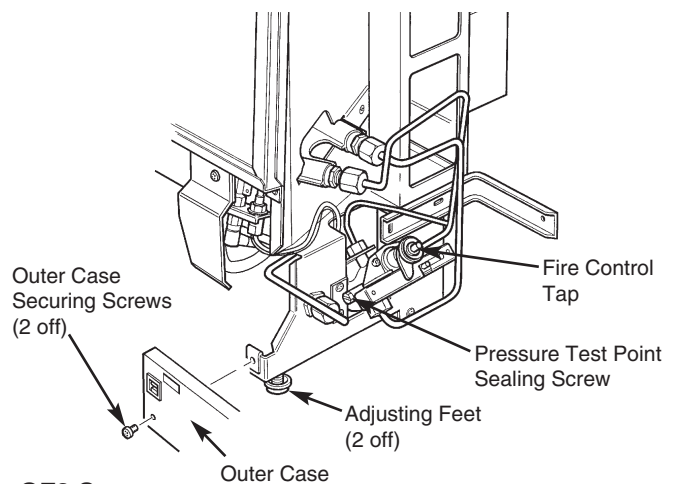
GF3 Super

Fig. 5 Backing Plate



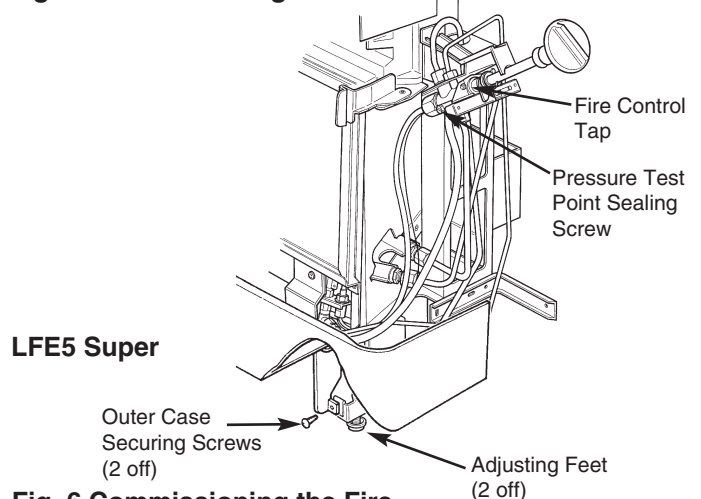
LFE5 Super

Fig. 5 Backing Plate



GF3 Super

Fig. 6 Commissioning the Fire



LFE5 Super

Fig. 6 Commissioning the Fire

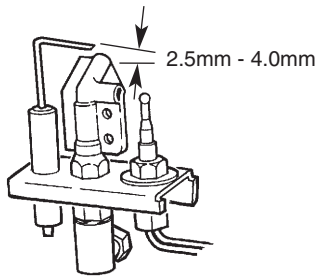


Fig. 7 Spark Gap

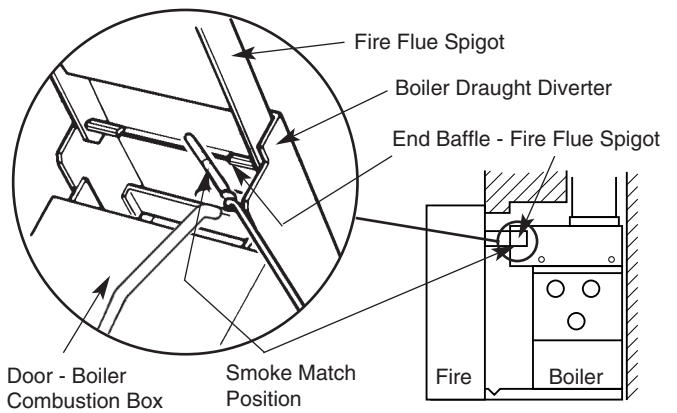


Fig. 8 Spillage Test

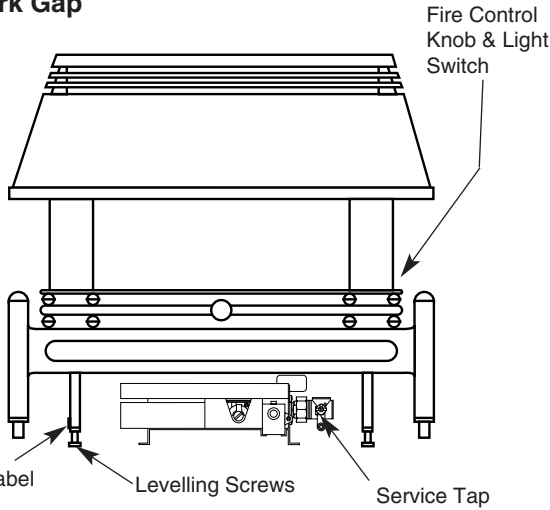


Fig. 9 Outer Case - GF3 SUPER

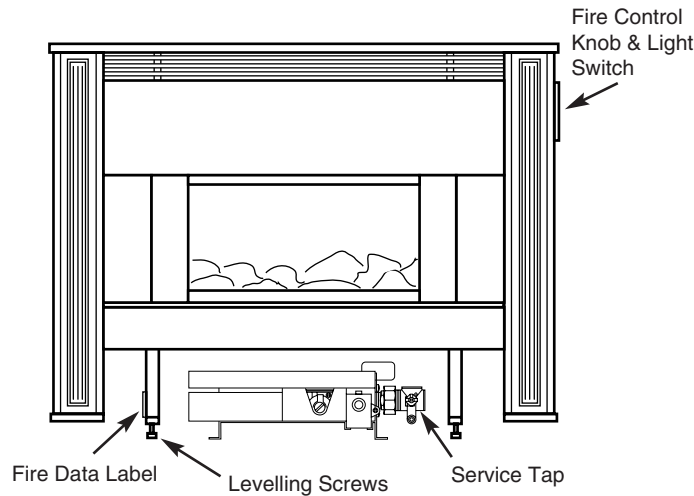


Fig. 9 Outer Case - LFE5 SUPER

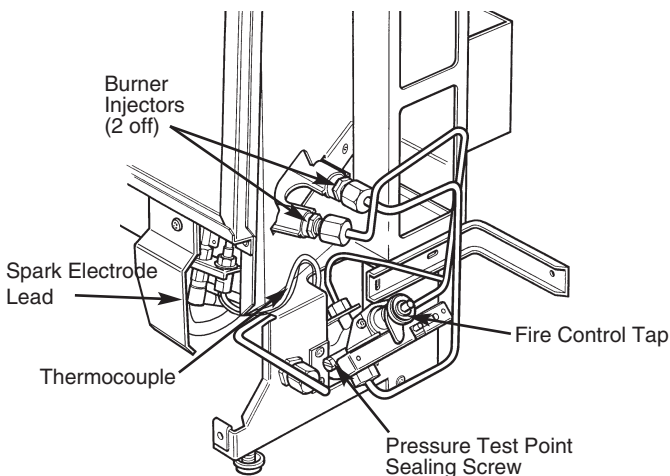
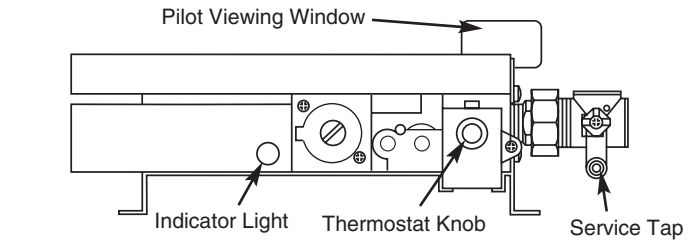
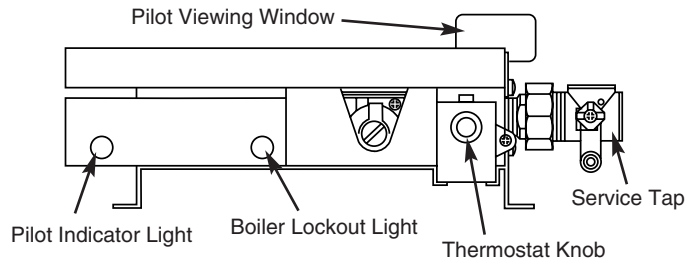


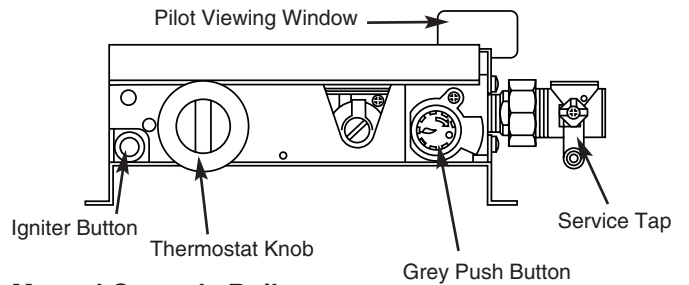
Fig. 10 The Controls - GF3 SUPER



Electronic Controls Boiler 51/5



Electronic Controls Boiler



Manual Controls Boiler

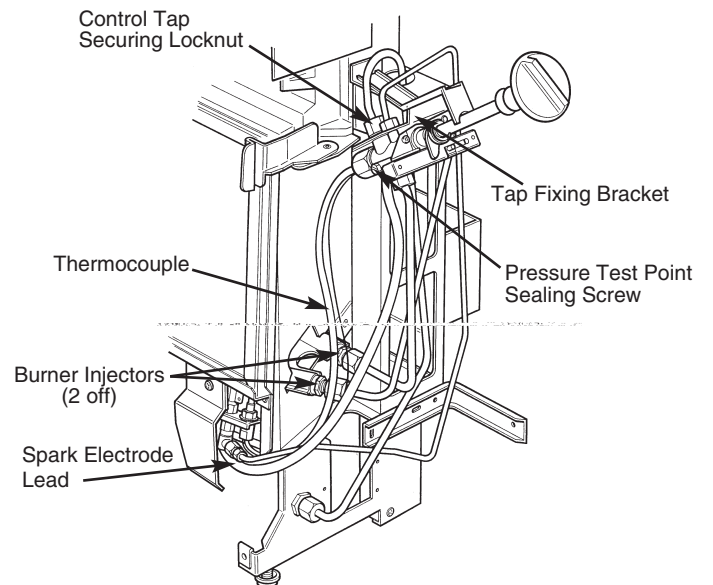


Fig. 10 The Controls - LFE5 SUPER

Servicing the Fire

CAUTION: ISOLATE THE ELECTRICAL SUPPLY INCLUDING THE PERMANENT LIVE. TURN OFF THE GAS SUPPLY, ENSURE THAT THE FIRE IS COLD, TEST FOR GAS SOUNDNESS UPON RE-ASSEMBLY.

Please read the Important Information Section on page 4. Instructions 1-17 are for servicing to be carried out annually and should be followed in conjunction with the separate instructions for the boiler section.

1. Remove the controls cover panel under the front of the fire by grasping it firmly by its edges and pulling forwards.

2. Disconnect the 3 pin plug from the socket under the fire.

3. Remove the outercase as follows:

- (i) Pull off the control tap knob.
- (ii) Remove the 2 outercase securing screws (Fig.6).
- (iii) Remove the case by easing the lower edge forward and then lifting upward.

4. Turn off the gas service tap by turning fully clockwise (Fig.4).

5. Disconnect the fire supply pipe from the fire inlet and remove the 2 screws securing the backing plate to the inner case. Pull the fire forward until the fire spigot is clear of the boiler canopy and lift away.

6. Remove the glass front panel as follows: (Fig.11).

- (i) Ensure that the glass front panel is cold.
- (ii) Disengage the front panel retaining clamps and remove the glass front panel.

7. Remove the coal bed by carefully lifting it away from the locating pins (Fig.11).

CAUTION: The coal bed is extremely fragile and must be handled accordingly. Gloves should be worn and any inhalation of the dust should be avoided. Keep the coals away from children at all times.

8. Remove the burner as follows : (Figs.10 and 11).

- (i) Disconnect the compression nuts from the injectors.
- (ii) Remove the 2 screws securing the burner, and remove the burner out over the support bar.
- (iii) Using a soft brush remove all deposits from the top of the burner and the burner ports.

9. Remove and clean or replace the injectors as necessary. Do not use a pin or wire for cleaning purposes.

10. Clean any lint or debris from the pilot aeration hole. Inspect the pilot, thermocouple and electrode assembly for deterioration and replace if necessary. No adjustment of the A.S.D. pilot assembly is possible. The A.S.D. should not be altered to prevent it operating correctly or bypassed in any way.

If the A.S.D. has to be replaced only use a Genuine Baxi Spare Part.

11. Replace the parts in reverse order of dismantling, making sure that:

- (i) Spark gap is as in Fig.7.
- (ii) The coal bed is correctly fitted over its locating pins.
- (iii) The glass front panel sealing rope is replaced if it is in anyway damaged.
- (iv) The glass front panel is replaced if it is in anyway damaged or cracked. **NOTE: THIS IS A HEAT RESISTANT GLASS AND MUST NOT BE REPLACED BY ORDINARY GLASS**

12. After servicing the boiler, fit the fire to the boiler and refit the screws securing the fire backing plate to the inner case. Connect the fire supply pipe to the inlet adaptor.

13. Turn the service tap ON by turning fully anti-clockwise (gas to boiler and fire). Check for gas soundness.

14. Temporarily fit the control knob and light the fire. Check that the gas pressure is correct. (See "Commissioning the Fire").

15. Test for clearance of flue products as described: in paragraph 9 of "Commissioning the Fire".

16. Refit the outercase, control knob, 3 pin plug, case securing screws and controls cover plate.

17. Re-check that the ignition is satisfactory.

Changing Components

CAUTION: ISOLATE THE ELECTRICAL SUPPLY INCLUDING THE PERMANENT LIVE, TURN OFF THE GAS SUPPLY, ENSURE THAT THE FIRE IS COLD, AFTER REPLACING ANY COMPONENTS ALWAYS TEST FOR GAS SOUNDNESS.

Please read the Important Information Section on page 4.

Replace all components in the reverse order of dismantling. If necessary re-light the boiler pilot.

Remove the outercase and turn off the gas service tap as described in 1 - 4 of 'Servicing the Fire'.

The following components can be removed as described below:

1. GAS CONTROL TAP / FFD / PILOT FILTER (Fig.12)

(a) To grease the tap proceed as follows: Pull off the plastic cap and disconnect the spark electrode lead from the piezo unit. Undo the two screws and washers securing the nutting plate to the tap body. Remove the piezo unit complete with the gas tap spindle and spring. Now remove the plug and apply a suitable grease sparingly (excessive grease may block the gasways).

On re-assembling care must be taken to ensure that both the plug and spring are in place.

(b) To exchange the component: (Fig. 10). Pull off the plastic cap and disconnect the spark electrode lead from the piezo unit. Disconnect the four pipes at the gas tap. Disconnect the thermocouple from the gas tap. Remove the 3 screws securing the gas tap bracket to the inner case and remove the complete assembly (LFE5 only). Remove the locknut holding the gas tap to the bracket or innercase and remove the gas tap. Ensure that the pilot filter supplied with the new tap is fitted.

On re-assembly ensure that the spark electrode lead is correctly fitted and that the plastic cap is pushed on to the piezo unit.

2. GLASS FRONT PANEL (Fig.11)

(a) Ensure that the glass front panel is cold.

(b) Disengage the front panel retaining clamps and remove the glass front panel.

NOTE: THIS IS A HEAT RESISTANT GLASS AND MUST NOT BE REPLACED BY ORDINARY GLASS

On re-assembly ensure that:

The glass front panel sealing rope is replaced if it is in anyway damaged.

3. SEALING ROPE (Glass Front Panel) (Fig.11)

Remove the glass front panel as described above. Carefully pull off the sealing rope from the retaining barbs on the combustion chamber. On re-assembly ensure that the sealing rope is securely fitted onto the retaining barbs.

4. COAL BED (Fig.11)

Remove the glass front panel as described above. Remove the coal bed by carefully lifting it away from the locating pins. On re-assembly ensure that the coal bed is correctly located over the locating pins.

CAUTION: The coal bed is extremely fragile and must be handled accordingly. Gloves should be worn and any inhalation of the dust should be avoided. Keep the coals away from children at all times.

5. BURNER (Figs.10 & 11)

(a) Remove the glass front and coal bed as described above.

(b) Disconnect the compression nuts from the injectors and remove the injectors.

(c) Remove the two screws securing the burner and draw the burner out over the support bar.

6. PILOT/A.S.D. ASSEMBLY (Fig. 12a)

WARNING: The A.S.D. pilot assembly should not be adjusted in any way. The A.S.D. shall not be altered so that it will not operate or bypassed in any way. The thermocouple cannot be changed as an individual component. The complete assembly must be replaced in the event of one or other component failure(s). Only use a Genuine Baxi Spare Part.

Undo the screw retaining the pilot shield, and remove the shield. Pull back the sleeve and disconnect the lead from the electrode. Undo the nut on the pilot feed pipe. Remove the screw holding the assembly to the bracket. Undo the thermocouple from the gas tap. Remove the assembly from the fire.

On re-assembly, shape the thermocouple in a similar manner to the original.

7. ELECTRO-MAGNET UNIT (Figs 10 & 12)

(a) Remove the gas tap as explained in 1(b).
 (b) Remove the electro-magnet retaining nut and withdraw the electro-magnet unit.

8. PIEZO UNIT (Fig.12)

Pull off the plastic cap and disconnect the spark electrode lead from the piezo unit. Undo the tabs on the rear of the piezo unit and remove. Replace the piezo unit twisting the tabs to retain it firmly in position. Re-connect the spark electrode lead and re-fit the plastic cap.

9. LIGHT SWITCH

Caution: Ensure electrical supply is isolated. Pull off the two flag terminals from the switch. Press together the retaining arms on the rear of the switch and remove the switch. Replace the switch and terminals, see illustrated wiring diagram.

10. RESISTOR

(a) Check that the electrical supply is isolated.
 (b) Remove the two screws securing the light bulb cover and lift upwards.
 (c) Remove the clip securing the resistor to the cover and disconnect the 2 wires.
 (d) Replace the resistor and reassemble in reverse order. Electrical Supply 230V 50Hz 110W.

Appliance Details

BERMUDA GF3 SUPER
 (see Site Requirements for clearances)
 Height - 706mm (to hearth)
 Width - 750mm
 Depth - 326mm
 Weight - 35.8kg (unpacked)

BERMUDA LFE5 SUPER
 (see Site Requirements for clearances)
 Height - 713mm
 Width - 915mm
 Depth - 301mm
 Weight - 39.1kg (unpacked)

HEAT INPUT (GROSS) 5.70kW (19,450 Btu/h)
 HEAT OUTPUT 3.69kW (12,590 Btu/h)

GAS GROUP G20 (Natural Gas)

INJECTOR SIZE GF3 230 F11
 LFE5 F13

SETTING PRESSURE GF3 14.5 ± 0.5mbar
 (Cold) (5.8 ± 0.2in wg)

SETTING PRESSURE LFE5 13.8 ± 0.5mbar
 (Cold) (5.5 ± 0.2in wg)

THERMOCOUPLE OUTPUT 9.4 - 13mV

PILOT ASSY GF3 9402
 LFE5 9401

HEAT INPUT (GROSS) 210W (715 Btu/h)

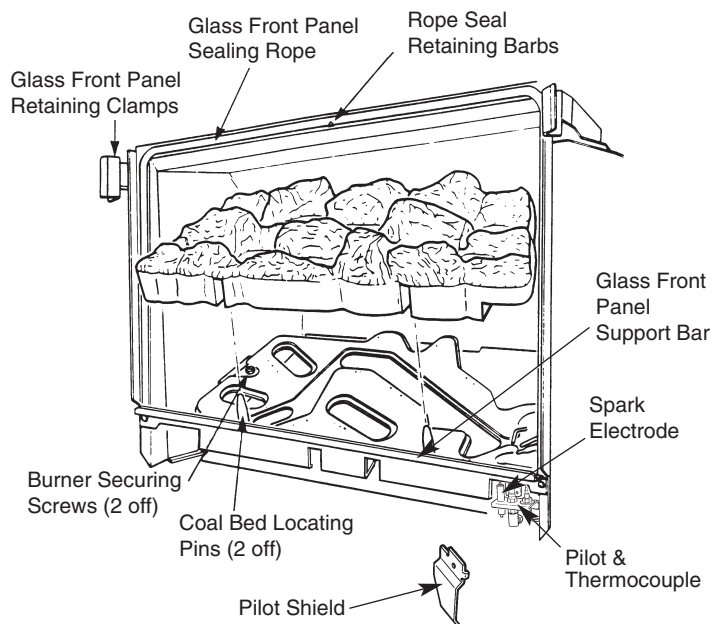


Fig. 11 Coal Bed

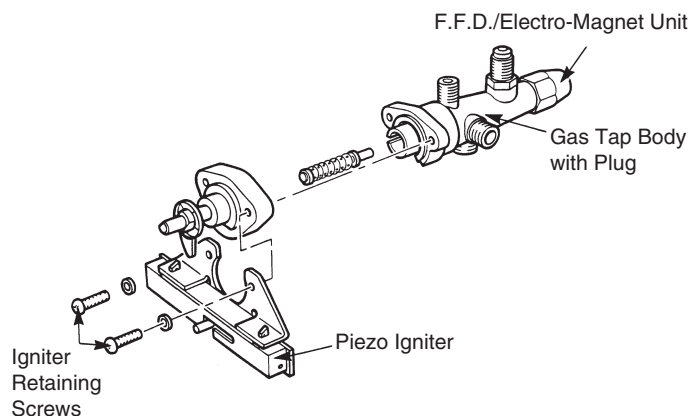
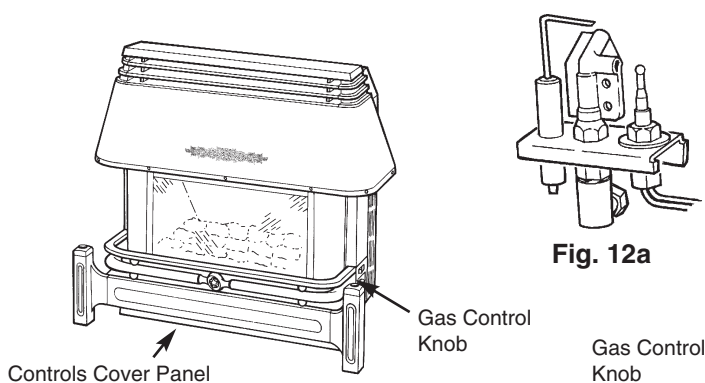


Fig. 12 Gas Control Tap/Flame Failure Device



GF3 Super

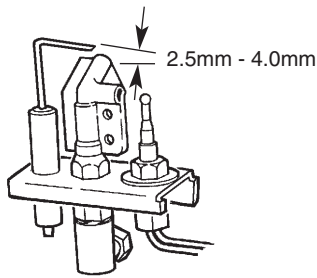
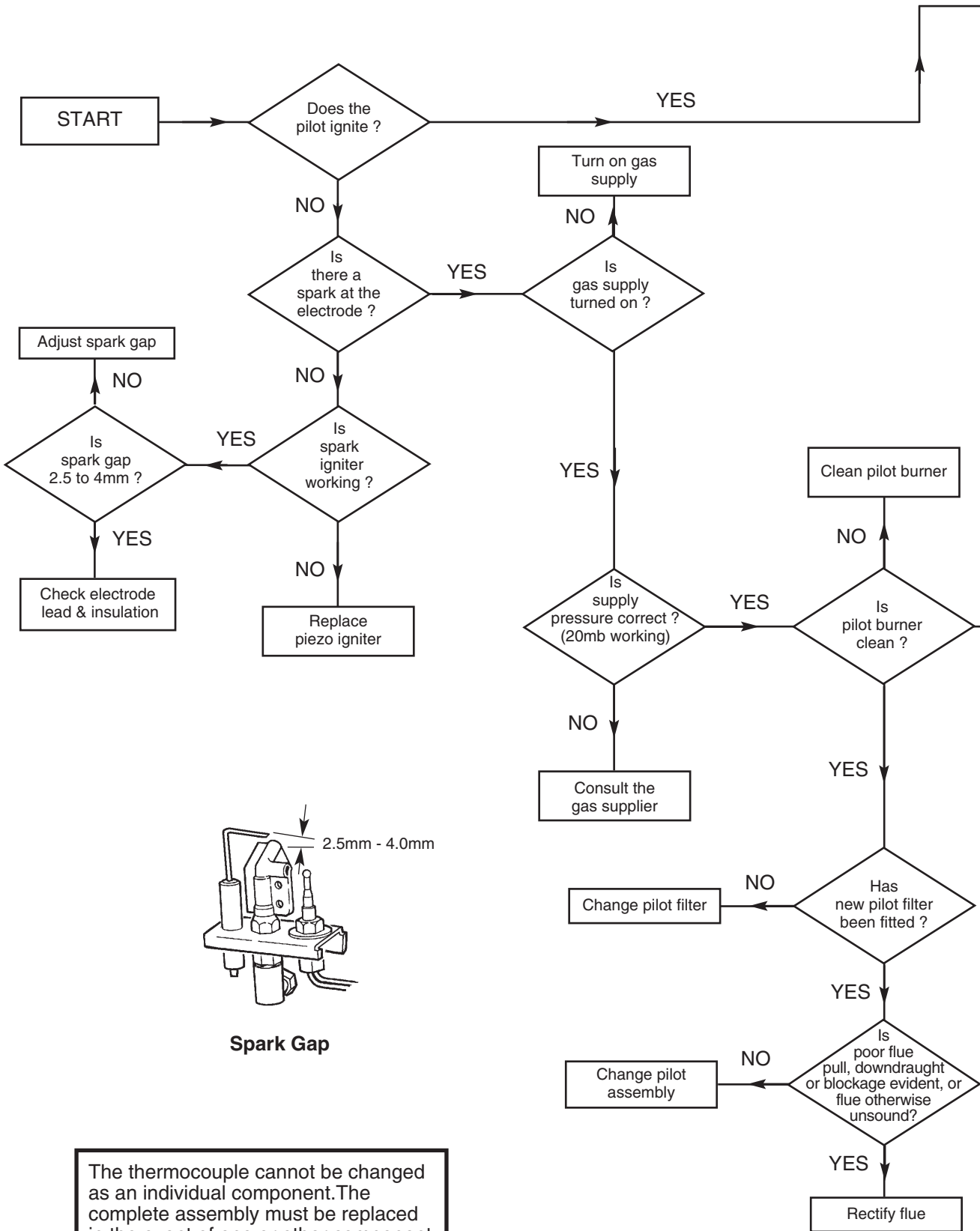
Fig. 13 The Fire

LFE5 Super

Fault Finding Chart

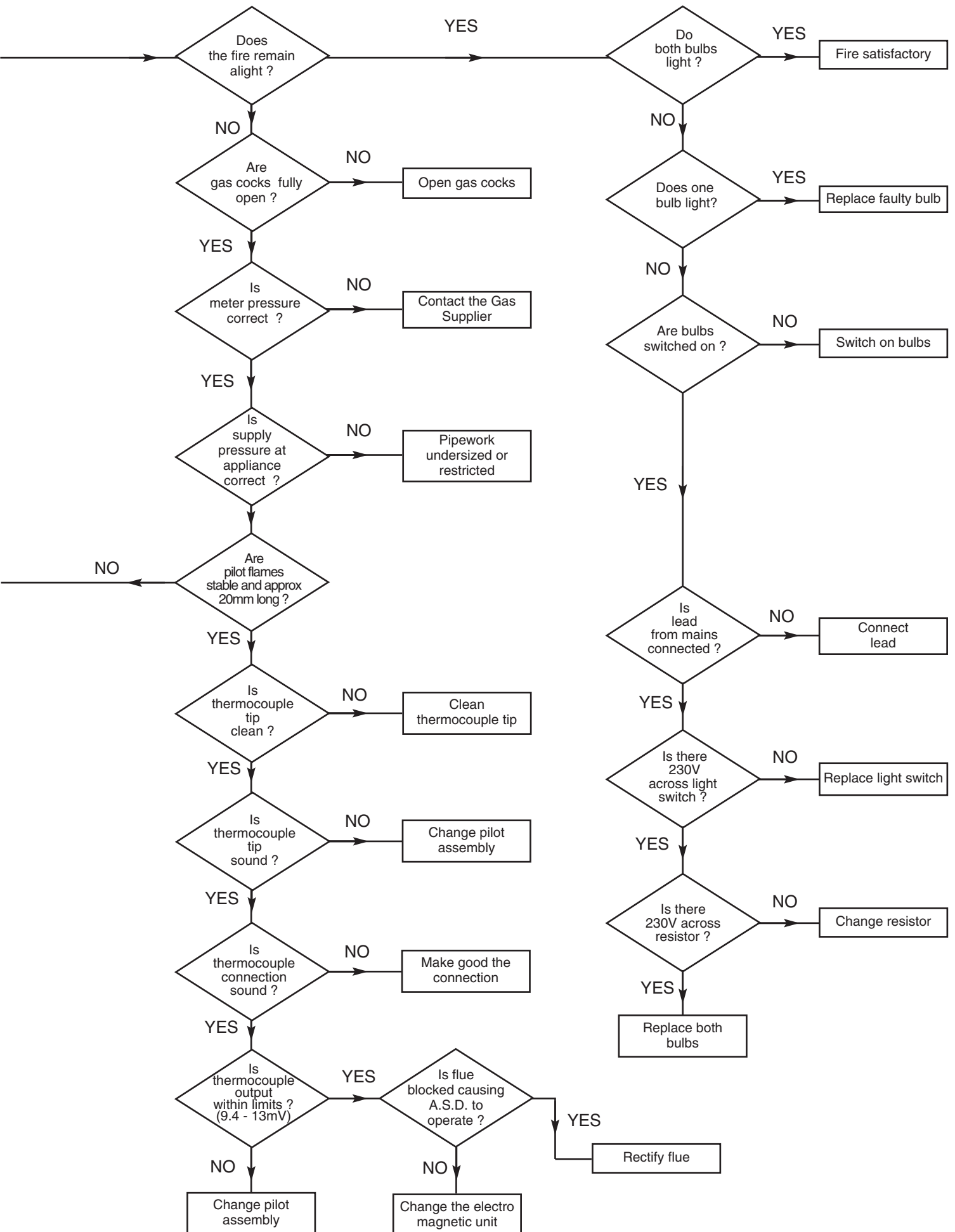
BAXI BERMUDA GF3 SUPER & LFE5 SUPER

Gas Type G20 (Natural Gas)

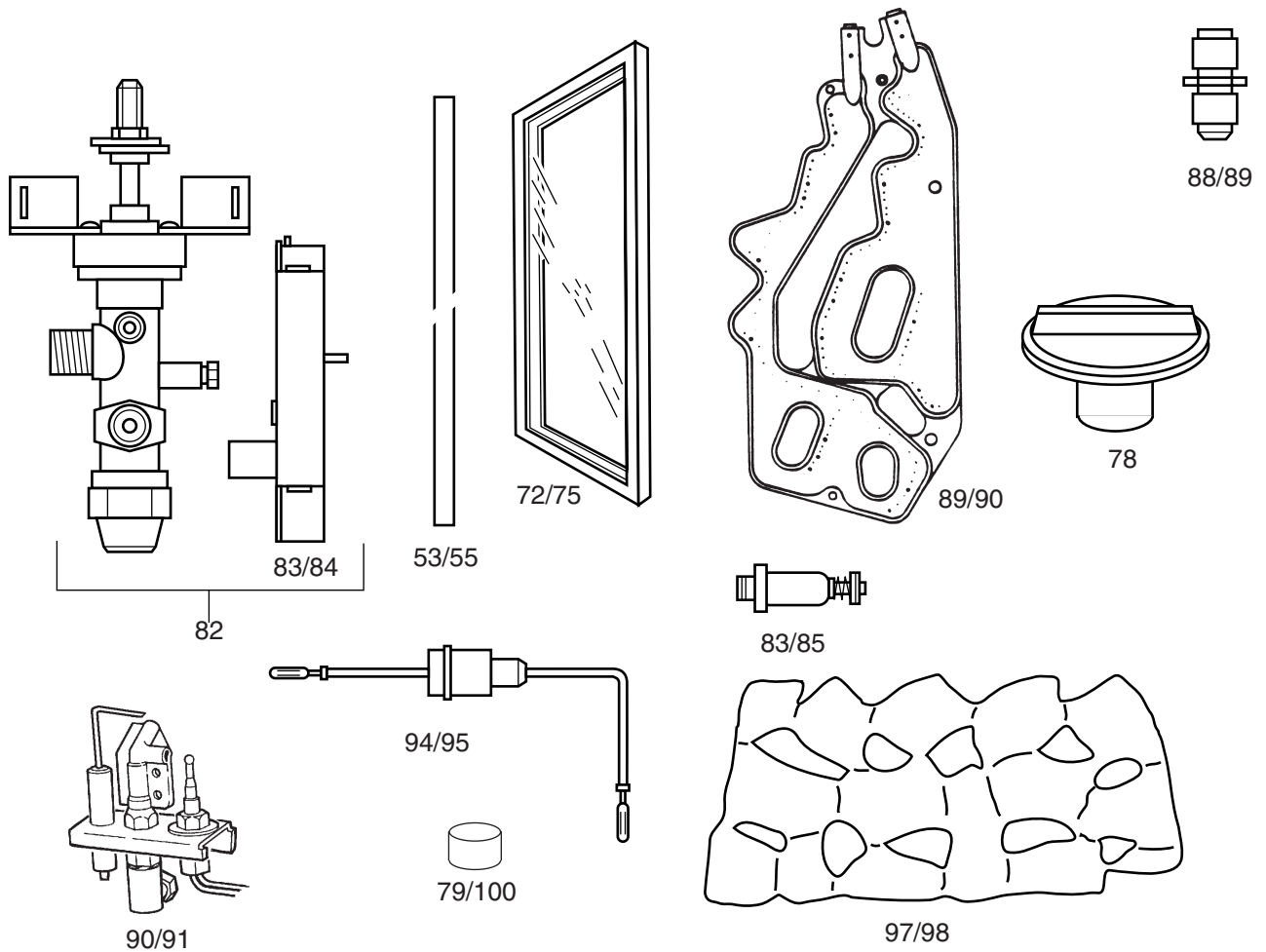


Spark Gap

The thermocouple cannot be changed as an individual component. The complete assembly must be replaced in the event of one or other component failure(s). Only use a Genuine Baxi Spare Part.



Short Parts List



BAXI BERMUDA LFE5 SUPER B.G.C. N° 37 077 61

Key N°	Description	G.C. N°	Manufact'rs Part N°
53	Seal - Glass Frame	155 747	043111
72	Glass & Frame Assembly	155 758	040955
78	Knob - Gas Tap Control	E01-160	237879
82	Flame Failure Device/Gas Tap Concentric TE/SA 2324	378 916	238966
83	Encapsulated Unit Concentric TE/418	384 248	082462
84	Piezo Unit	393 734	042941
89	Injector - F13	381 879	238543
90	Burner - Aeromatic Baxi Special	155 949	043210
97	Coal Bed	156 429	235149
95	Lead - Electrode	E01-138	237813
91	Pilot / A.S.D.	278 912	235601
79	Pilot Filter	205 723	082412

BAXI BERMUDA GF3 SUPER B.G.C. N° 37 077 59

Key N°	Description	G.C. N°	Manufact'rs Part N°
55	Seal - Glass Frame	155 747	043111
75	Glass & Frame Assembly	155 758	040955
78	Knob - Gas Tap Control	156 431	234551
82	Flame Failure Device/Gas Tap Concentric TE/SA 2324	378 916	238966
83	Piezo Unit	393 734	042941
85	Encapsulated Unit Concentric TE/418	384 248	082462
88	Injector - 230 F11	381 879	092133
89	Burner - Aeromatic Baxi Special	155 949	043210
94	Lead - Electrode	378 915	236199
98	Coal Bed	156 429	235149
90	Pilot / A.S.D.	378 914	236204
100	Pilot Filter	205 723	082412

Renewal Firefront

It is important that the existing installation is correct and that the flue is performing satisfactorily. Any remedial work necessary should be completed before the new appliance is commissioned. Please read the Important Information Section on page 4.

WARNING: When a renewal firefront is installed with a Bermuda 401, 552, 45/3 or 57/3 which does not have an Atmospheric Sensing Device fitted the combined appliance will not shut down under adverse flue conditions. (When the fire is used without the boiler on, the Atmospheric Sensing Device will operate).

NOTE: A permanent live is required for correct operation of the firefront.

Additional Installation Instructions

Bermuda GF3 Super Renewal G.C.N° 37 075 01A
Bermuda LFE5 Super Renewal G.C.N° 37 075 03A

The kit supplied with Renewal appliances provides all the necessary components to fit a Baxi Bermuda GF3 Super Renewal & Baxi Bermuda LFE5 Super Renewal firefront to the following Bermuda Boilers.

The Renewal Fires may be used with the following Boilers:

Bermuda 401	G.C.N° 44 077 49
Bermuda 552	G.C.N° 44 077 50
Bermuda 45/3 M	G.C.N° 44 077 61
Bermuda 45/3 E	G.C.N° 44 077 60
Bermuda 57/3 M	G.C.N° 44 077 63
Bermuda 57/3 E	G.C.N° 44 077 62
Bermuda 45/4 M	G.C.N° 44 077 71
Bermuda 45/4 E	G.C.N° 44 077 73
Bermuda 57/4 M	G.C.N° 44 077 72
Bermuda 57/4 E	G.C.N° 44 077 74
Bermuda 51/5	G.C.N° 44 075 06

Existing Fire

REMOVING THE EXISTING FIRE

Isolate the gas and electrical supply, including any permanent live, to the combined appliance.

Remove the controls cover panel from the front of the fire.

Remove the tap control knob. Disconnect the electrical socket from the fire plug if fitted. Remove the screws securing the outercase to the innercase. Lift off the outercase.

Turn the gas service tap to the "Boiler only" position by turning 1/4 turn clockwise.

Remove the radiants if fitted.

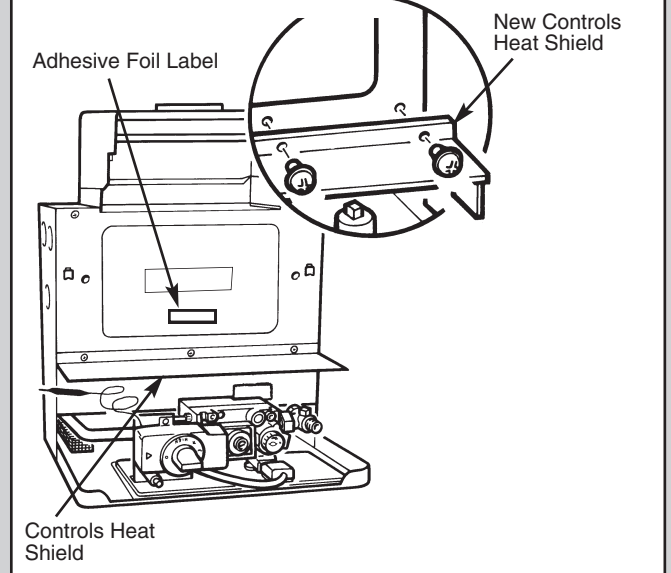
Disconnect the supply pipe at the fire inlet.

Remove any screws securing the fire to the wall. Pull the fire forward until the flue spigot is clear of the boiler hood and lift away.

Remove and discard the fire supply pipe from the service gas tap. Disconnect and discard any electrical wiring between the boiler input terminal and the fire.

Boiler Modification

BERMUDA 401 & 552

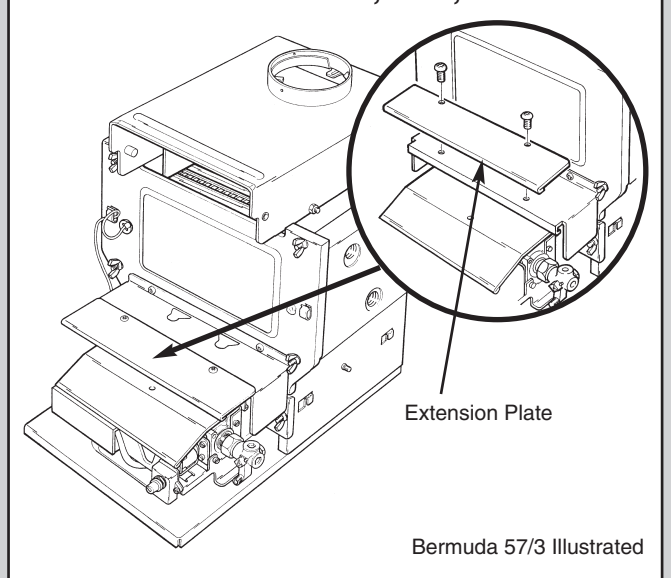


NOTE: It is important at this stage to fit the controls heat shield supplied with the fire unit to the boiler front panel.

Remove and discard the controls heat shield provided with the boiler and fit the new controls heat shield using the screws previously removed.

Check the data badge on the back boiler. If the boiler internal wiring is not depicted, take the foil label from the kit and attach it below the data badge on the boiler front door.

BERMUDA 45/3 & 57/3, 45/4, 57/4 & 51/5

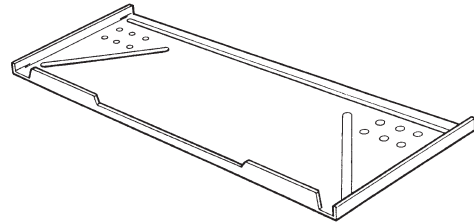


If a radiant firefront has been installed previously it will be necessary to unscrew and remove the extension plate from the boiler controls heat shield. Once removed this item can be discarded.

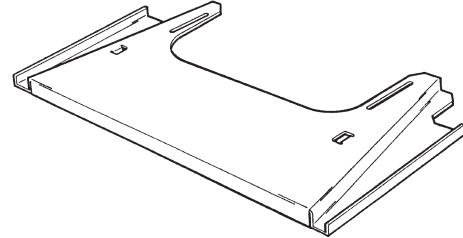
If the fire is wall mounted remove and discard the existing support frame (Bermuda 401 only). Retain the two support brackets. These will be needed in wall mounting the renewal fire.

If the fire is hearth mounted ensure that the base of the builders opening and the front hearth are at the same level.

Refer to "Site Requirements" (page 4) and prepare the wall surface to the dimensions described.



Fire Support Plate - Bermuda 401 & 552



Fire Support Plate - Bermuda 45/3 & 57/3, 45/4, 57/4 & 51/5

WALL FIXING

Two wall fixing plates are supplied in the Renewal Kit, one for Bermuda 401/552 and one for Bermuda 45/3, 57/3, 45/4, 57/4 & 51/5

BERMUDA 401 & 552

Take the fire support plate from the fire unit packaging and loosely attach it beneath the boiler base protruding from the fireplace opening using the M5 Nuts and screws provided. Use the centre group of holes at each side.

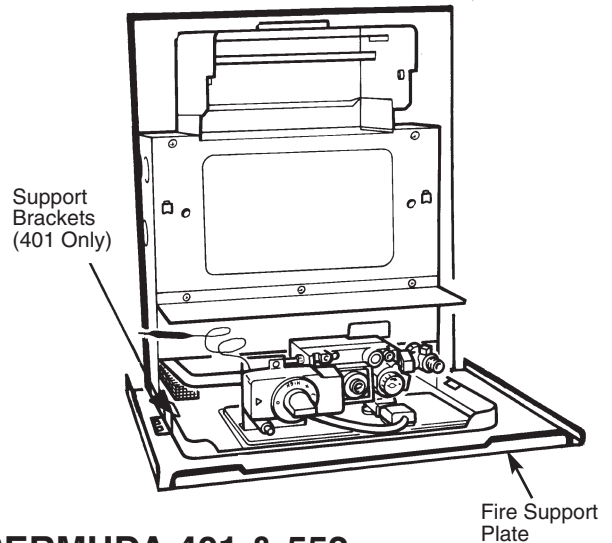
NOTE: If the fire is being used with a Bermuda 401 boiler unit, the support brackets from the previous plate must be fitted before the fire support plate can be fixed in place.

Push the support plate backwards until it touches the surround or wall face and tighten the screws to lock it in position.

BERMUDA 45/3 & 57/3, 45/4, 57/4 & 51/5

Take the fire support plate from the fire unit packaging and loosely attach it above the boiler base protruding from the fireplace opening using the screws provided. Use the slots at each side.

Push the support plate backwards until it touches the surround or wall face and tighten the screws to lock it in position.



BERMUDA 401 & 552

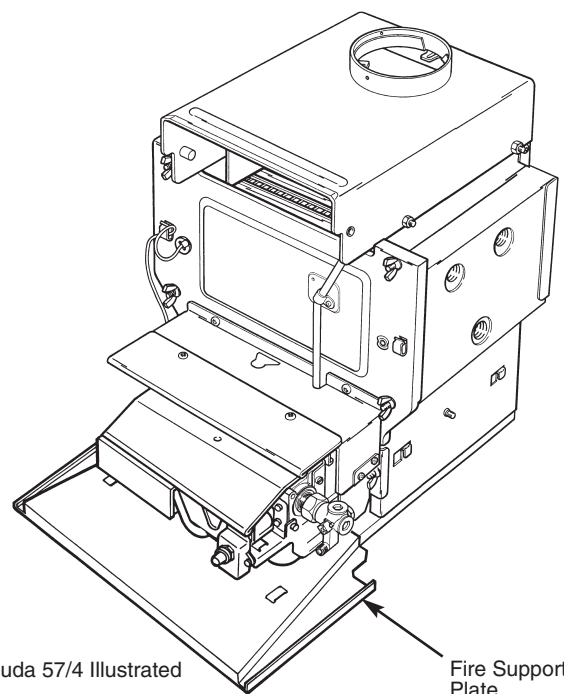
WIRING

When connecting the firefront wire to the plug on the boiler base tray refer to page 4 of these instructions.

FIRE SUPPLY PIPE

Two fire supply pipes are supplied in the Renewal Kit, one for Bermuda 401 & 552 and one for Bermuda 45/3 & 57/3, 45/4, 57/4 & 51/5. The smaller (6mm) diameter one is for Bermuda 45/3 & 57/3, 45/4, 57/4 & 51/5 installations.

TO CONTINUE FITTING THE FIREFRONT REFER TO THE INSTALLATION CHAPTER OF THESE INSTRUCTIONS.



Bermuda 57/4 Illustrated

Fire Support Plate

BERMUDA 45/3 & 57/3, 45/4, 57/4 & 51/5

The following spares components differ from Natural Gas models.

Bermuda GF3 Super Propane

Description	G.C.N°	Manufact'rs Part N°
Flame Failure Device/Gas Tap Concentric TE/SA 2632	E01-143	237100
Injector - Fire Propane - P 100	378 856	092089
Burner - Aeromatic - Propane	E01-145	237209
A.S.D. Assembly	E01-152	237810
Coal Bed - Propane	E01-144	237221
Pin Coal Bed Locating/Burner Securing	156 097	092125

Supplementary Instructions

BERMUDA GF3 SUPER PROPANE G.C.N° 37 077 69

GAS TYPE G31

This section details the differences between Natural Gas and Propane models.

Propane firefronts are only suitable for use with Bermuda 553 Propane Back Boiler appliances. The instructions supplied with the back boiler contain details of gas supply requirements and electrical connections.

All site requirements and installation details can be found earlier in this booklet.

NOTE: When removing the burner it is necessary to remove the right hand retaining screw and the left hand coal bed retaining pin which also retains the burner.

Bermuda GF3 Super Propane

Heat Input (Gross)	5.64kW (19,243 Btu/h)	
Gas Group	G31 (Propane)	
Injector Marking	P 100	
Supply Pressure	37.0mbar	14.8in wg
Setting Pressure (Cold)	35.0 ± 1.7mbar	14.0 ± 0.7in wg

Propane appliances can be converted to operate on Natural Gas if required.
A conversion kit is available, Baxi Part No 247064.

