

INSTALLER AND OWNER GUIDE

Model 807 Electric Heater

Fitted with the following fascia

Adage
Victorian
or
Dream



This guide is intended to help you install and care for your Valor electric heater. Please read carefully before installing and using your heater. However, if further information is required, our **Valor Technical Helpline** will be pleased to help.

Telephone **08706 061 065** (National call rates apply in the United Kingdom)

In the Republic of Ireland call 0044 08706 061 065

Important: Please keep your guide in a safe place for future reference

INSTALLER AND OWNER GUIDE

Safety First.

Valor fires are CE Approved and designed to meet the appropriate British Standards and Safety Marks.



Quality and Excellence.

At the heart of every Valor heater.

All Valor fires are manufactured to the highest standards of quality and excellence and are manufactured under a BS EN ISO 9001 quality system accepted by the British Standards Institute.



CARE

Thank you for choosing Valor

All Valor heaters are designed to meet the most stringent quality, performance and safety requirements to provide our customers with many years of trouble free service.

This guide aims to improve your understanding and appreciation of your new Valor heater, by providing simple and informative instructions to enable you to install it and to ensure that you benefit from the excellent performance and features it has to offer.

If you require further assistance, the Valor Technical Helpline will be pleased to help.

Please telephone 08706 061 065 (local rates apply in the United Kingdom)

FOR OTHER USEFUL TELEPHONE NUMBERS SEE THE LAST PAGE OF THIS GUIDE



Valor Heating, Erdington, Birmingham B24 9QP

www.valor.co.uk

Because our policy is one of constant development and improvement, details may vary slightly from those given in this publication

INSTALLER AND OWNER GUIDE

HANDLING AND UNPACKING

Before continuing any further with the installation of this heater please read the following:

Unpacking Dream Heater.

This heater has a fascia which is heavy (13.35 kG).

To avoid damage it is packed in a separate box within the main box.

When unpacking it is important that the box containing the fascia is removed before the main body of the heater. This is to prevent the main box tipping over and causing damage or injury.

Important Safety Instructions.

- The lifting weight of the heater parts are listed below: -

<u>Heater</u>	<u>Heat engine (kG)</u>	<u>Complete Fascia (kG)</u>	<u>Spacer (kG)</u>
Adage	6.8	2.16	2.2
Victorian	6.8	5.56	2.3
Dream	6.8	13.35	---

- One person should be sufficient to lift the heater. If for any reason this weight is considered too heavy then obtain assistance.
- When lifting always keep your back straight. Bend your legs and not your back.
- Avoid twisting at the waist. It is better to reposition your feet.
- Avoid upper body/top heavy bending. Always bend from the knees rather than the waist. Do not lean forward or sideways whilst handling the heater.
- Always grip with the palm of the hand. Do not use the tips of fingers for support.
- Always keep the heater as close to the body as possible. This will minimise the cantilever action.
- Use gloves to provide additional grip.
- Always use assistance if required.

Always

- **Always** install the heater in accordance with this guide. If in doubt obtain expert advice.
- **Always** make sure the electrical socket is accessible and located adjacent to, but not above the heater.
- **Always** disconnect the heater from the electrical supply before carrying out

INSTALLER AND OWNER GUIDE

cleaning, maintenance or replacing the light bulb.

- **Always** make sure the heater is firmly secured to prevent it from being tipped over.
- **Always** use a fireguard when young children and infirm persons can come into contact with the heater.
- **Always** use genuine Valor spares.

Never

- **Never** leave children unsupervised in a room where the heater is ON and unguarded.
- **Never** obstruct or cover the fan outlet or force items into heater openings.
- **Never** install or use the heater anywhere where water is in use, i.e. Bathrooms, Kitchens, Shower Rooms, Swimming Pools etc.
- **Never** use aerosols or steam cleaners on or around the heater.
- **Never** route the mains supply cable under carpet etc.
- **Never** install the heater close to curtains or combustible materials.
- **Never** use the heater to dry clothes etc.
- **Never** sit or stand on the heater.

FITTING THE HEATER

The installation of this heater requires a reasonable level of DIY skills.

Please read this guide thoroughly before commencing installation and if in doubt, seek help from a competent person

Do I need any tools?

1. You will need two screwdrivers: -

1 off Pozidrive / Phillips / cross head screwdriver. This should have a number 2 size end. If you are unsure about the size of the end simply make sure that the end fits into the screws supplied with the heater. If the end is too small then the end will spin and damage the screw.

1 off Flat end screwdriver. The end should fit into the slot head screws supplied with the heater.

2. For drilling into brickwork you will need an electric hammer drill and appropriate size drill bit for the wallplugs supplied (See figure 15).

INSTALLER AND OWNER GUIDE

Where can I fit the heater?

This heater can be fitted into fireplaces or surrounds where the following dimensions are available.

Width	390mm - 450 mm (15.35 inches - 17.72 inches)
Height	555mm - 590 mm (21.9 inches - 23.2 inches)
Depth	At least 75mm (At least 3 inches)

There should be at least 30mm (1.2 inches) clearance between the top of the fascia and anything such as a shelf, fireplace surround or mantel etc. This will allow the fascia to be lifted off or removed during servicing. To check this gently place the fascia against the surface to which it is to be fixed. Measure the distance from the top of the fascia.

Using the 75mm (3 inch) spacer kit supplied, the Adage and Victorian heaters can also be used where a fireplace opening or fireplace surround opening are not available i.e. a flat wall. The Dream heater does not have the 75mm (3 inch spacer) and **cannot** be used against flat walls.

Important Electrical Safety

The heater must **not** be located in front of or under an electrical socket, the socket must always be accessible in order to disconnect the heater from the electrical supply for maintenance and cleaning.

Important! This heater must be earthed.

- The heater is supplied with a 3 pin 13 Amp fused re-wireable plug with 1mm² 3 core cable.
- The wires in the cable are coloured in accordance with the following code: -
Live = Brown Neutral = Blue Earth = Green /Yellow
- The mains supply must be safely routed from the heater to an electrical socket.

INSTALLER AND OWNER GUIDE

Moving the Cable Guide

At the base of the heater you will find an electric cable which runs through a rectangular plastic cable guide. As supplied the cable guide is fitted into the rectangular cutout on the right side of the heater. If required, the cable guide can be removed and put in the rectangular slot in the centre or left hand side of the heater. For removal and fitting please see below.

Removing the cable guide

1. Before removing the cable guide please note that the wider part of the cable guide is on the outer edge of the base (See figure 1- Item 1).
2. To remove the cable guide push and lift the tab on the bottom of the cable guide. The bottom of the cable guide will open (See figure 1- Item 2).
3. Lift the electric cable clear of the cable guide.
4. Hold the bottom of the cable guide close to the heater then gently pull the cable guide away from the rectangular slot (See figure 1- Item 3).

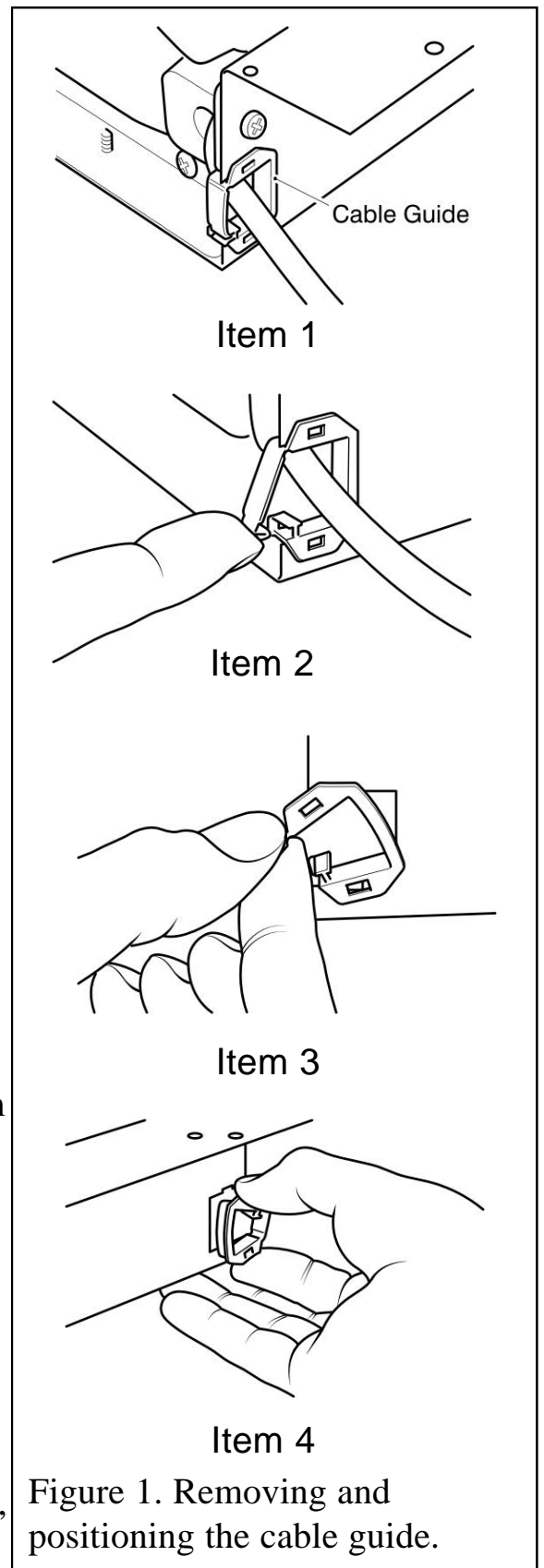
Fitting the cable guide.

When fitting the cable guide please remember that the wider part of the cable guide has to be fitted against the outer edge of the base (See figure 1- Item 1).

1. Gently pinch the sides of the cable guide (See figure 1 - Item 4) and push the cable guide into the required rectangular slot.
2. Place the electrical cable into the guide and close the top of the cable guide.

If the mains cable is damaged, to avoid a hazard it must be replaced by a Valor authorised service agent, or similarly qualified person (See the last page of this guide for useful telephone numbers).

All external wiring between the heater and the electrical supply shall comply with current IEE regulations.



INSTALLER AND OWNER GUIDE

Removing the fascia

Victorian Heater

1. Remove the two fascia securing screws (See figure 2). Remove the front fascia by gently pulling the base of the fascia forward whilst lifting clear of the support brackets at the top of the heater (See figure 2).
2. Keep the fascia in a safe place while installing the heater

Adage Heater.

1. Very strong magnets attach the fascia to the heater. Support the rear of the heater and gently pull the fascia forward (See figure 3).
2. Keep the fascia in a safe place while installing the heater.

Dream Heater

The fascia is supplied in a separate box within the main box.

Heater Fixing

All of the fixings supplied with the heater have been identified as in figure 15.

The heater must be fixed into position to prevent it from being tipped over

The following fixing options are available:

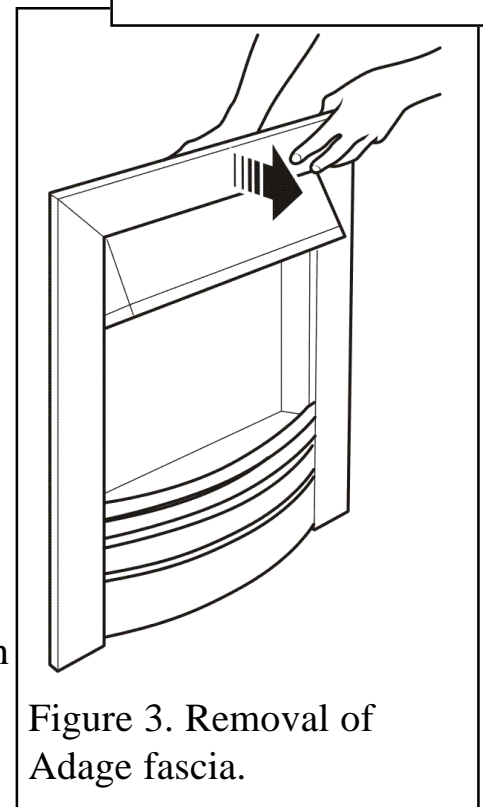
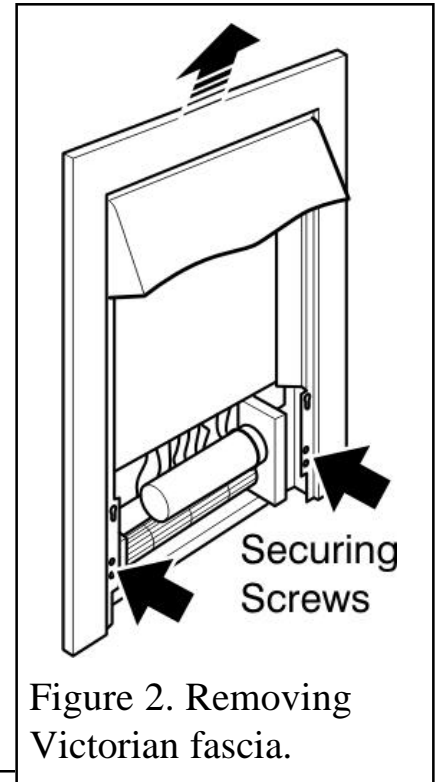
Screw Fixing

Wire Fixing

Spacer Frame (Adage and Victorian heaters only)

If fitting the heater into a fireplace or surround opening, try the heater in the opening to ensure that it will fit.

If fitting the heater onto a decorative hearth surface such as marble or tile it is advisable to protect the hearth surface. Do not drag the heater across the surface of the hearth as this may scratch the hearth surface.



INSTALLER AND OWNER GUIDE

Method A - Screw fixing

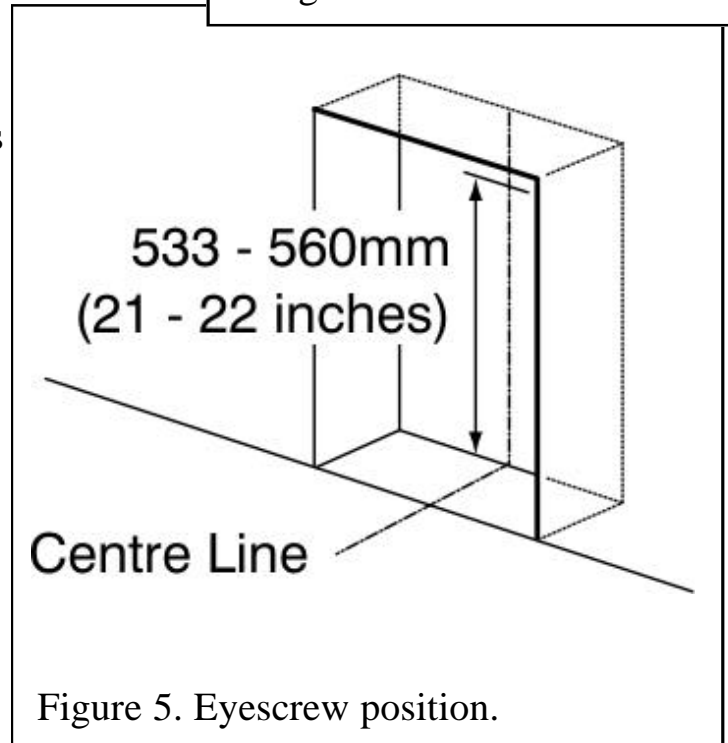
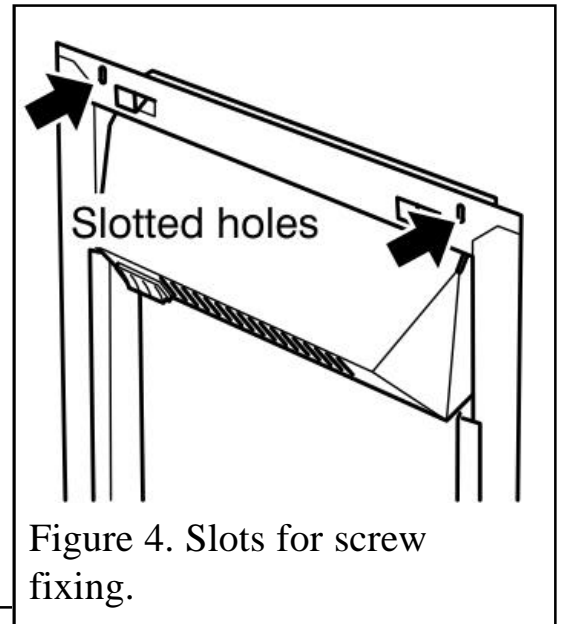
Note - If fixing to marble it is recommended that Method B - 'Wire fixing' is used. Drilling marble without the correct tools and experience may result in the marble cracking.

1. Place the heater into the fireplace or surround opening. Make sure that the heater is in the middle of the surround or fireplace.
2. There are two slotted holes in the top of the heater (See figure 4). Mark through the slotted holes so that their position is clear when the heater is removed.
3. Remove the heater
4. Drill an appropriate size hole in each of the marked positions. Insert wall plugs into the drilled holes.
5. Place the heater so that the slotted holes are in line with the wallplugs in the fixing surface.
6. Screw and secure the heater with two 'H' screws (See figure 15).

Method B - Wire Fix

This method of fixing needs a fireplace opening and is recommended when fixing the heater to a marble surround or where the wall or brickwork is in poor condition.

1. The fixing kit supplied with the heater includes a steel wire and eyescrew (See figure 15). These can be used to secure the heater to the back of a fireplace opening.
2. Mark the eyescrew position on the centre line at the back of the fireplace opening and at a height of 533-560mm (21 inches - 22 inches) (See figure 5).
3. Drill an appropriate size hole in the marked position.
4. Insert a wallplug into the drilled hole.
5. Screw the eyescrew into the wallplug.
6. Position the heater in front of the fireplace opening.
7. At the top of the heater there are four small holes, two each side of the heater (See figure 6- Item 1). From the front of the heater, thread about 50mm (2 inches) of the steel wire into the inside small hole on the left side of the heater (See figure 6 - item 2).
8. Thread the other end of the wire through the remaining small hole on the left hand



INSTALLER AND OWNER GUIDE

side of the heater. Continue to push the wire through this hole until there is only a small loop of wire at the front of the heater (See figure 6 - item 3).

9. At the back of the heater there will be a long piece and a short piece of wire coming through the two holes. Hold the short piece and give the long piece a gentle tug. This will secure the steel wire. Take the long piece and thread this through the eyescrew in the back of the fireplace opening (See figure 6 - item 4).

10. From the back of the heater thread the long piece of steel wire through the outer small hole on the right hand side of the heater (See figure 6 - item 5).

11. Locate the heater in the fireplace opening, then from the front of the heater, gently pull the steel wire on the right hand side to gather up the excess until the heater is secure. Thread the wire through the remaining small hole to lock the wire and heater in place (See figure 6 - item 6).

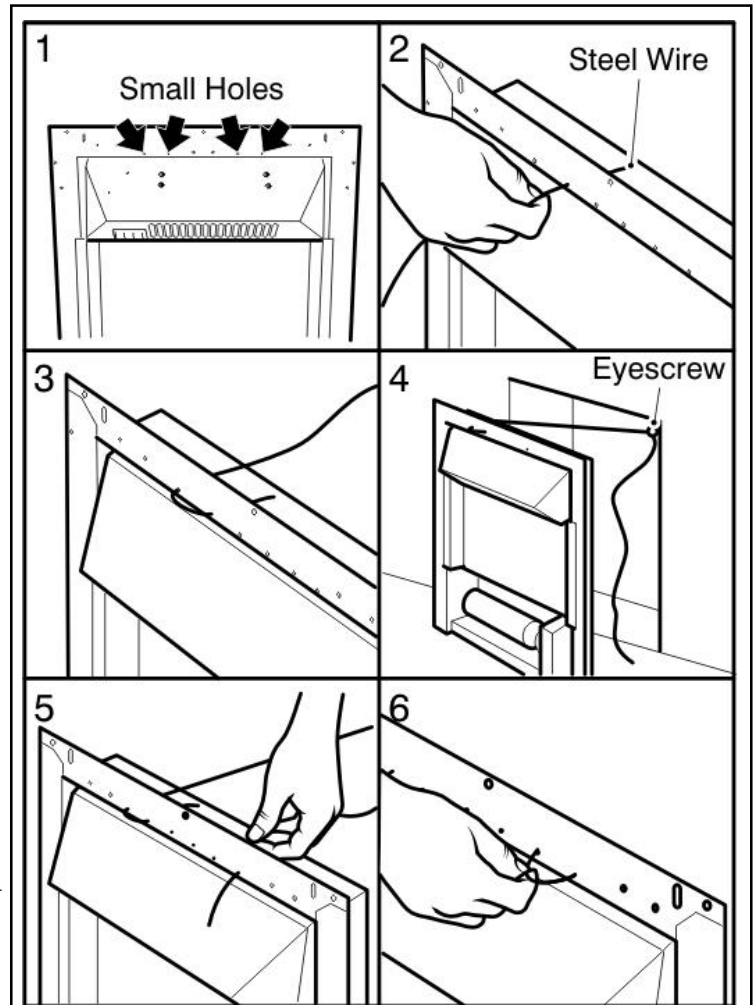


Figure 6. Steel wire fixing

Method C - Spacer Frame (A spacer frame is NOT available for the Dream heater)

1. There are three 'L' shape brackets supplied with the heater (See figure 15). To fix the brackets to the spacer frame there are three 'I' screws (See figure 15). The spacer frame has a stepped outer. The rear of the spacer is the narrow side - when positioned against the wall or fixing surface the steps should widen as they come closer to you. Position and screw the 'L' shaped brackets to the rear of the spacer frame as shown in figure 7.

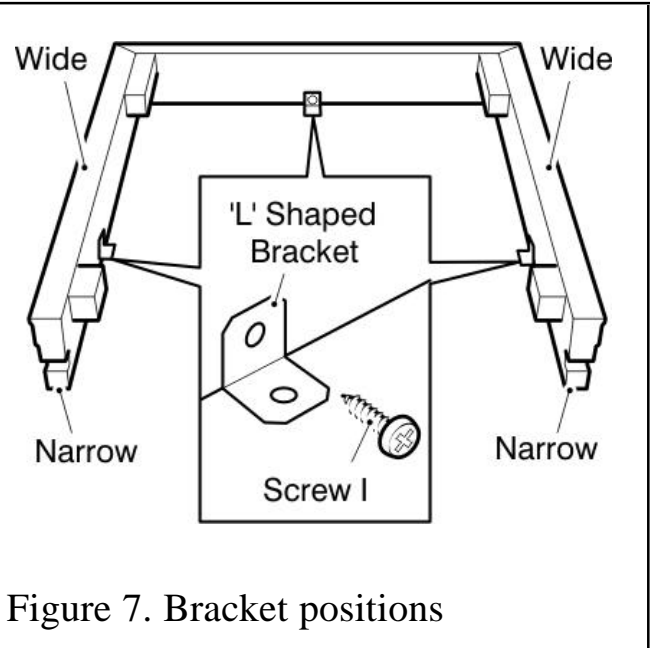


Figure 7. Bracket positions

2. Position the spacer frame against the wall or front of the opening. Make sure that the spacer frame is central to the fireplace surround or is in the correct position against the wall. Mark through the rear holes in the brackets so that their position is clear when the

INSTALLER AND OWNER GUIDE

spacer frame is removed.

3. Remove the spacer frame.
4. Drill appropriate sized holes in the marked position.
5. Insert a wallplug into the drilled holes.
6. Place the spacer frame so that the holes in the brackets are in line with the wallplugs in the fixing surface. If the electric cable is to go to the left or right of the heater then stand the heater in front of the spacer frame. Pass the electrical cable underneath the spacer frame and locate it into the cutout in the centre of the spacer frame (See figure 8).
7. Screw and secure the spacer frame with three 'H' screws (See figure 15).
8. Place the heater centrally against the spacer frame. The heater has holes in its left side, right side and top. Secure the heater to the spacer frame through the four hole positions as in figure 9 using four 'I' screws (See figure 15).

Setting the position of the Light bulb shroud.

What is the light bulb shroud?

The light bulb shroud (See figure 10) is the coloured tube that sits around the light bulb.

What is it for?

The light bulb shroud can be rotated to give different light effects. If you look at the light bulb shroud you will see a dark area. This dark area is there to reduce the amount of light from the light bulb to the areas which it faces. The slots are there to give a white or brighter light.

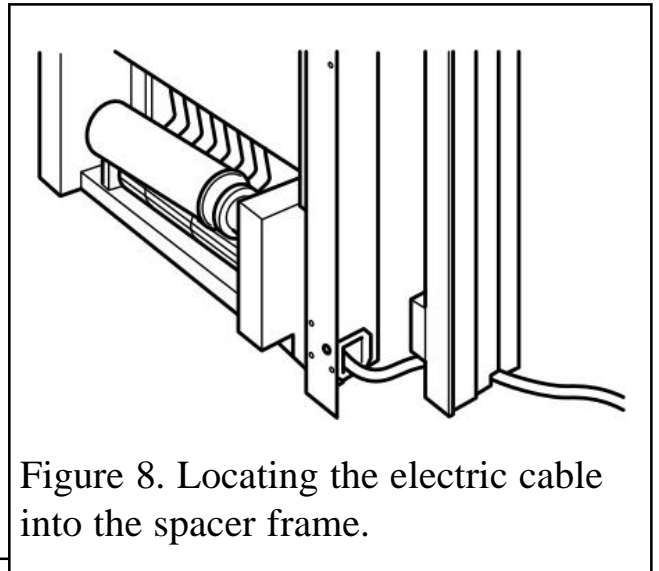


Figure 8. Locating the electric cable into the spacer frame.

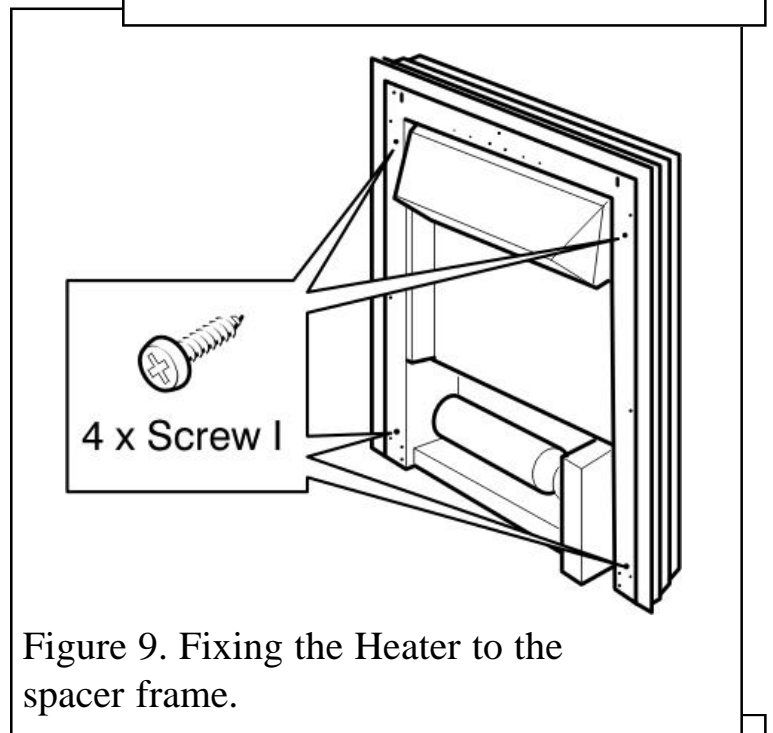


Figure 9. Fixing the Heater to the spacer frame.

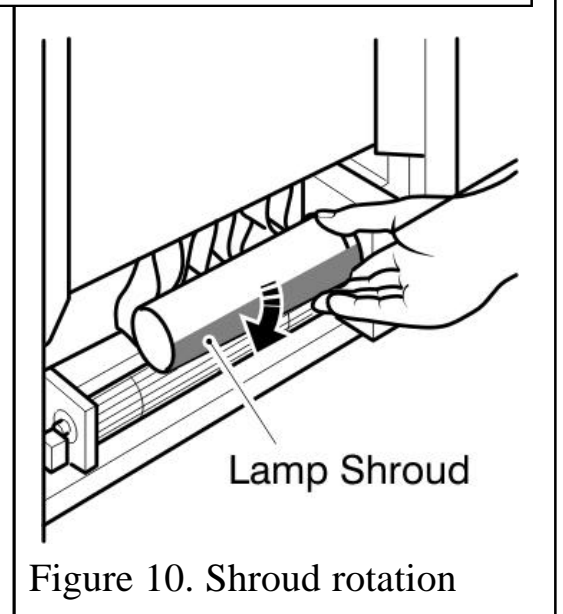


Figure 10. Shroud rotation

INSTALLER AND OWNER GUIDE

How will I know which position to set the light bulb shroud?

- Positioning the dark area of the shroud underneath the light bulb will reduce the amount of light onto the hearth or floor surface.
- Positioning the dark area to the rear of the light bulb will reduce the amount of light to the flame effect at the rear of the heater.

A good start point is to have the light bulb shroud dark area facing the front of the heater. If the light effect is not to your liking then the lower fascia can be removed and adjustments made to the shroud after the heater is fitted (On the Adage heater it will be necessary to remove the whole magnetic front fascia).

How do I set the position of the light bulb shroud?

Hold the right hand side of the light bulb shroud and rotate it in a downward direction. Never rotate the light bulb shroud in an upward direction as you may be unscrewing the light bulb at the same time (See figure 10).

Fitting the Adage and Victorian Fascia

Adage Heater

1. Removing the fascia may have moved the magnets used to fix the fascia to the heater. There should be a magnet on each of the four raised tabs on the rear of the fascia (See figure 11).
2. Locate the fascia onto the heater. Ensure that the sides of the fascia sit on the floor / hearth.
3. Place the loose coals onto the orange coloured fuel support (a glove is provided with the coal pack). It is not necessary to use all the coal supplied.

Victorian Heater

1. Hook the brackets on the rear of the main fascia over the brackets on the heater (See figure 12).
2. Secure with the two screws removed previously (See figure 1)
3. Locate the lower fascia onto the main fascia (See

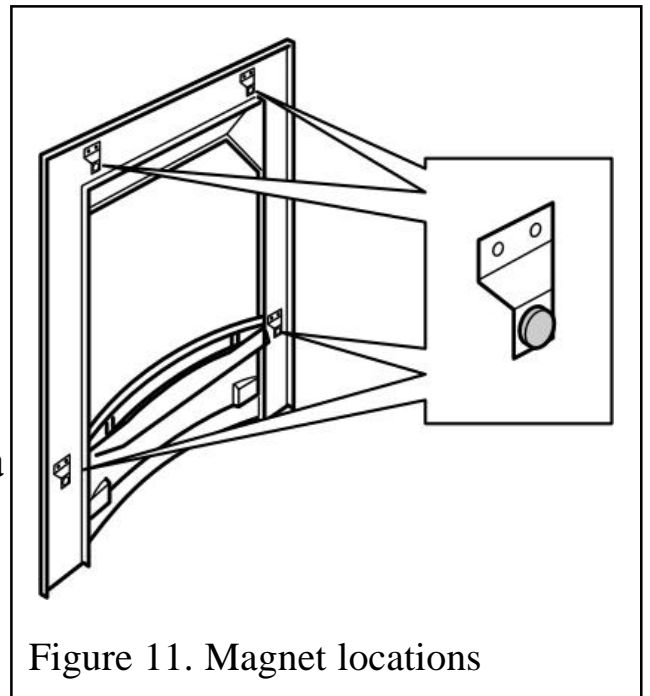


Figure 11. Magnet locations

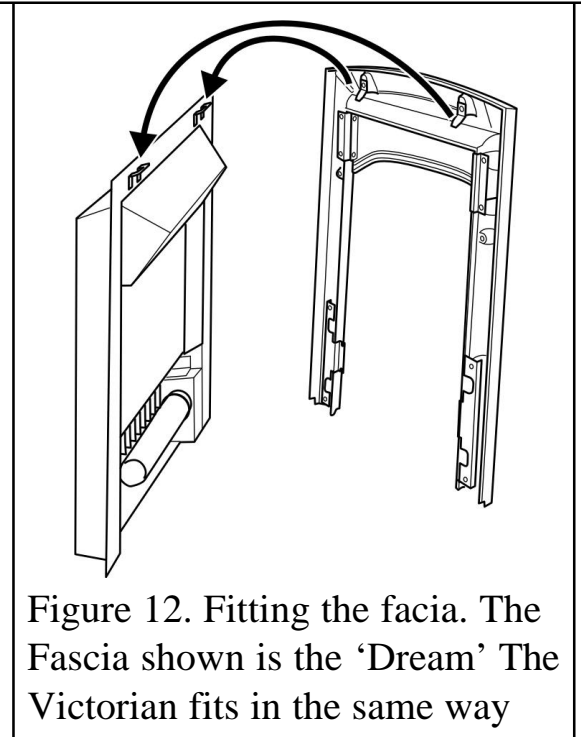


Figure 12. Fitting the fascia. The Fascia shown is the 'Dream' The Victorian fits in the same way

INSTALLER AND OWNER GUIDE

figure 13)

4. Place the loose coals onto the fuel support (a glove is provided with the coal pack). It is not necessary to use all the coal supplied.

Fitting the Dream Fascia

Note: A certain amount of self-assembly is required in building up this fascia.

The fixings used can be identified by referring to figure 15.

Follow the steps below while referring to figure 16.

Unpacking and preparing the Dream Fascia

1. Open fascia pack, remove the main fascia and lay it face down on the floor, taking care no to damage either floor covering or main fascia. If necessary, flatten the box and lay it on the floor first.

2. Place the remaining parts in a safe place.

3. Place the white top polystyrene packing piece against a wall. This will prevent the polystyrene packing piece from moving . Position the top of the main fascia on top of the polystyrene packing piece (See figure 14).

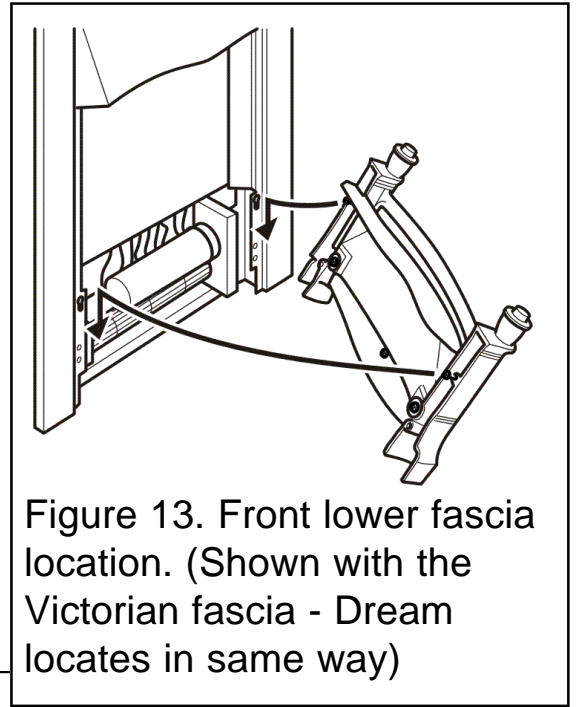


Figure 13. Front lower fascia location. (Shown with the Victorian fascia - Dream locates in same way)

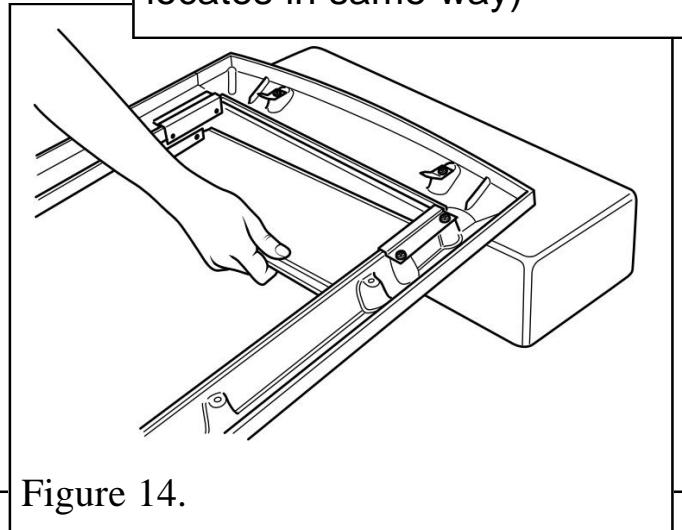









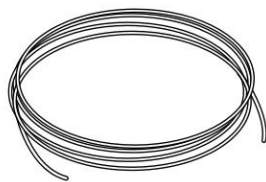


Figure 14.

FASTENINGS KEY (PACK 1)								
A	B	C	D	E	F	G	H	I
(black)	(bright metal)	(black)	(black)	(black)	(bright metal)	(bright metal)	(black)	(bright metal)
								
x4	x5	x1	x2	x2	x2	x2	x4	x7



Eyescrew
x1



Steel Wire
x1



'L' Shaped
Bracket
x3



Wallplugs
x5

Figure 15. Loose parts

INSTALLER AND OWNER GUIDE

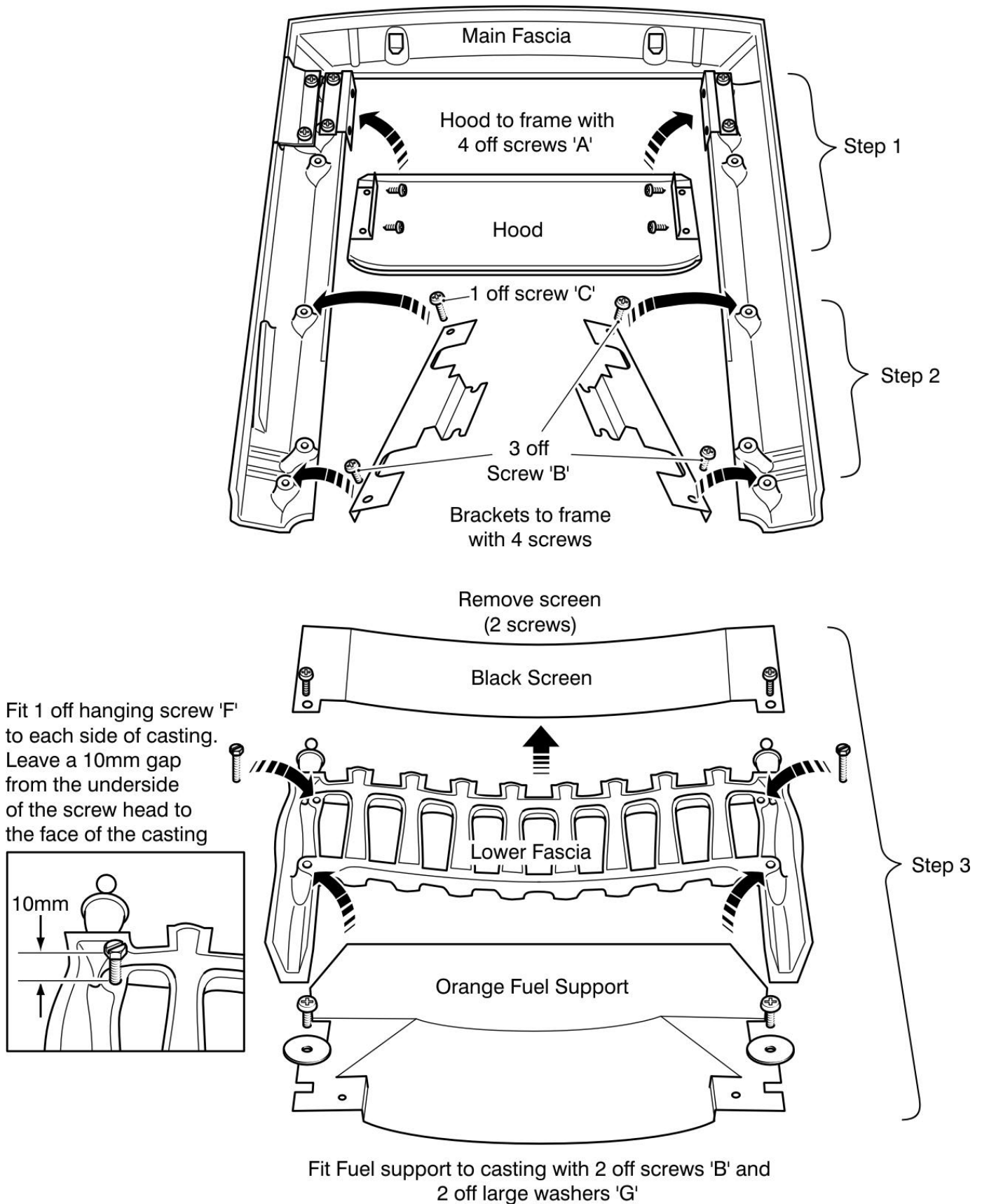


Figure 16.

INSTALLER AND OWNER GUIDE

Assembling the Dream Fascia

Step 1.

Locate the hood into the brackets at the top of the casting and secure with 4 off screws 'A' (See figure 14 & 16 - step 1).

Step 2.

Locate the lower brackets onto the fascia and secure with 3 off screws 'B' and 1 off screw 'C' as in figure 16 - step 2. Ensure the brackets project downward towards the front face of the main fascia.

Step 3.

- 1.* Lay the lower fascia face down on a flat surface. Remove the 2 screws holding the black screen to the rear of the lower fascia. Remove and discard the black screen.
- 2.* Locate 2 off screws 'F' into the upper two holes in the rear of the lower fascia, leaving a gap of about 10mm from the underside of the screw head to the rear face of the casting (See figure 16 - step 3). The 10mm gap is to enable the lower fascia to be hung onto the main fascia.
- 3.* Place the orange fuel support onto the rear of lower fascia and secure it in place with 2 off screws 'B' and 2 off large washers 'G' (See figure 16 - step 3).

Fitting the Dream Fascia to the heater.

- 1.* Fit the main fascia to the heater by hooking the brackets on the rear of the fascia over the brackets on the heater (See figure 12).
- 2.* Secure the main fascia to the heater with 2 off screws 'D' and 2 off washers 'E' through the holes in the lower side legs of the main fascia.
- 3.* Hook the lower fascia on to the main fascia as in figure 13.
- 4.* Position the ash pan cover beneath the lower fascia.
- 5.* Place the loose coals onto the top of the orange fuel support (a glove is provided with the coal pack). It is not necessary to use all the coal supplied.

INSTALLER AND OWNER GUIDE

USING THE HEATER

Important Safety

Never cover the heater or obstruct the openings at the base of the heater, this could cause overheating and consequent risk of fire.

What are the three switches for?

The heater is operated by three switches located below the hood on the left hand side of the heater.

Switch 1 =  Main On - Off

In the On position only the fuel effect operates

Switch 2 =  1kW fan heat setting and fuel effect

Switch 3 =  2kW fan heat setting and fuel effect

The switches are connected on the inside, so when switch 1 is turned off, all switches turn off.

CLEANING AND MAINTAINING THE HEATER

How do I Clean my heater?

The heater fascia and glass parts need only to be wiped clean with a dry soft cloth, do not use polishes or abrasive materials. The Adage heater may have finger prints on the fascia surface. These can be removed by applying a small amount of 'baby oil' to a lint free non-abrasive cloth and wiping the surface. Use a clean cloth to remove the oil.

I have a problem with my heater!

Important Safety

Before undertaking maintenance or replacing the light bulb always disconnect the heater from the electricity supply by removing the 3 pin plug and allowing the heater to cool.

1. My heater is on but there is no light.

This is possibly a light bulb failure. Remove the light bulb as detailed below and check it in a table lamp that is known to work. If it does not work in the table lamp then replace it as below.

INSTALLER AND OWNER GUIDE

The light bulb fitted to this heater is a long life compact fluorescent type, but due to the indeterminate life span and ease of replacement, it is specifically excluded from the guarantee.

To replace the light bulb.

- 1.** To gain access to the light bulb, remove the loose coals from the fuel support and place them onto an old newspaper or plastic bag. This will prevent them from marking the surface.
- 2.** Remove the lower fascia, (On the Adage heater it will be necessary to remove the whole magnetic front fascia), see figure 2 & 3 and the section headed “ Removing the fascia”.
- 3.** Note the position of the dark area on the light bulb shroud. Remove the light bulb shroud by sliding it to the left.
- 4.** Replace the light bulb with an 18 - 20 Watt (maximum) Edison screw, compact fluorescent light bulb eg. ‘Philips Ecotone’. Do not use standard tungsten light bulbs due to the excessive heat.
- 5.** Refit the light bulb shroud into the position noted earlier. Refit the lower fascia / magnetic fascia and refit the coals.

2. My heater is on but there is no light or heat.

The first thing to do is check the wall socket. To do this plug in a known working appliance. If the appliance you have plugged in works then there is a good chance that the problem lies with the 13Amp fuse in the heater plug. If either fuse or socket is suspected, have them checked by an electrician.

3. My heater is on but there is no heat.

A cut out device is fitted to the heater to prevent damage due to over heating. If it operates due to an obstruction in the airflow, the heater must be turned off and allowed to cool for 15 minutes and the obstruction removed before restarting.

INSTALLER AND OWNER GUIDE

4. I Have a problem that is different to those in the previous examples 1- 3.

Below is a list of Useful Telephone numbers

For general advice about your heater:

VALOR TECHNICAL HELPLINE 08706 061 065.

To report faults or arrange for your heater to be serviced:

VALOR SERVICE 08706 090 081.

For sales or product information:

VALOR SALES 08706 061 067.

CALLERS IN THE REPUBLIC OF IRELAND

Call 0044 08706 061 065

For spares inquiries

Spare parts are available nationwide via the ‘interpart stockist network’. For your local stockist consult Yellow pages under ‘Central Heating’.

When ordering spare parts please have the below information available. This will help us to deal with your call quicker and avoid you having to make a second call.

- Your Post Code
- Type of Heater (Electric or gas)
- Model, Name and serial number (This information can be found on a small label attached to the inside lower left of the heater. To see this you will have to remove the lower fascia (On the Adage heater it will be necessary to remove the whole magnetic front fascia)
- The fault, problem or request.

What should I do when I’m ready to dispose of my heater?

At the end of the products serviceable life it should be disposed of thoughtfully and safely in accordance with local authority regulations. The plug should be removed from the mains cable and the mains cable cut from the heater.