

BAXI

Duo-tec Combi HE A 



The Baxi Duo-tec Combi 28 HE is CORGI Boiler of the Year 2008

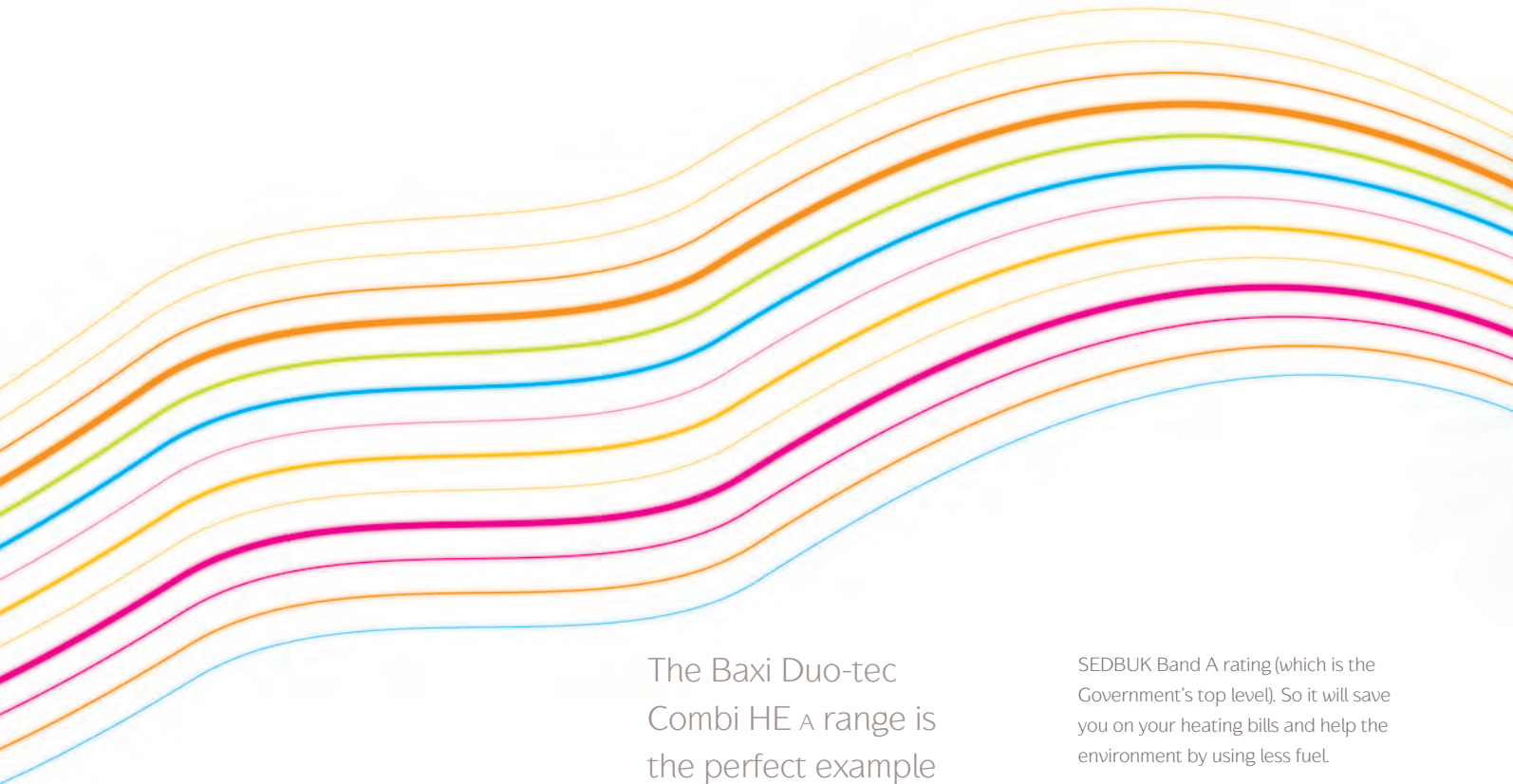


SEDBUK
Band A



energy saving
recommended

The award winning Baxi Duo-tec Combi HE A



The Baxi Duo-tec Combi HE A range is the perfect example of our determination to offer you higher levels of money-saving efficiency from a user-friendly and reliable boiler.

Drawing on over 150 years of expertise, we've made sure each of the four models delivers leading-edge efficiency with the reassuring heat and hot water supply every home desires.

To satisfy Government legislation, every new boiler from every manufacturer must convert at least 86% of the fuel it burns into heat. Because the Baxi Duo-tec Combi HE A is 91.1% efficient, it has the highest

SEDBUK Band A rating (which is the Government's top level). So it will save you on your heating bills and help the environment by using less fuel.

Of course, whilst efficiency is important to cut down costs, you also want your boiler to be hassle free, to look good and be straightforward to use. So we've given the Baxi Duo-tec Combi HE A uncomplicated controls and an easy-to-read pressure gauge. It also has stylish soft curves, a modern chrome strip and a beautiful gloss white finish. Even better, it's compact and flexible enough to go almost anywhere you want.

Such all-round performance is one reason why Which? awarded the Baxi Duo-tec Combi 28 HE a prestigious 'Best Buy' award after rigorously testing 34 boilers. It gained 5-star ratings for efficiency, low NOx emissions (Nitrogen Oxide), user-friendly features and ease of installation.





“A-rated efficiency from a name I can trust. That’s what I need”

Why choose a high efficiency Combi boiler?

With a combination boiler (or combi as they're commonly called) you gain the convenience of instant hot water - at anytime. There are no hot water tanks. It simply heats the water as you use it. So it's a very efficient way to gain a sure supply of hot water while reducing bills. What's more, you won't run out - there's always hot water on tap.

Many options from Baxi

With the 24kW, 28kW, 33kW and 40kW models, there's a Baxi Duo-tec Combi to match every home and family. All have been subjected to extensive life cycle testing and come with two-year parts and

labour warranties. Baxi also has a wide selection of alternatives - including heat only, system or back boilers (and many ways to embrace renewable energy).

Talk to your Gas Safe registered installer (or visit www.baxi.co.uk for details of reputable names in your area). And benefit from a more efficient way to gain a trusted supply of home heat and hot water.

Note - Legislation: To meet Building Regulations, your heating system may need additional controls. After fitting, you should get a Building Regulations heating compliance certificate from Gas Safe to show the work is to the right standard. Keep this, as you may need it when you come to sell your house.

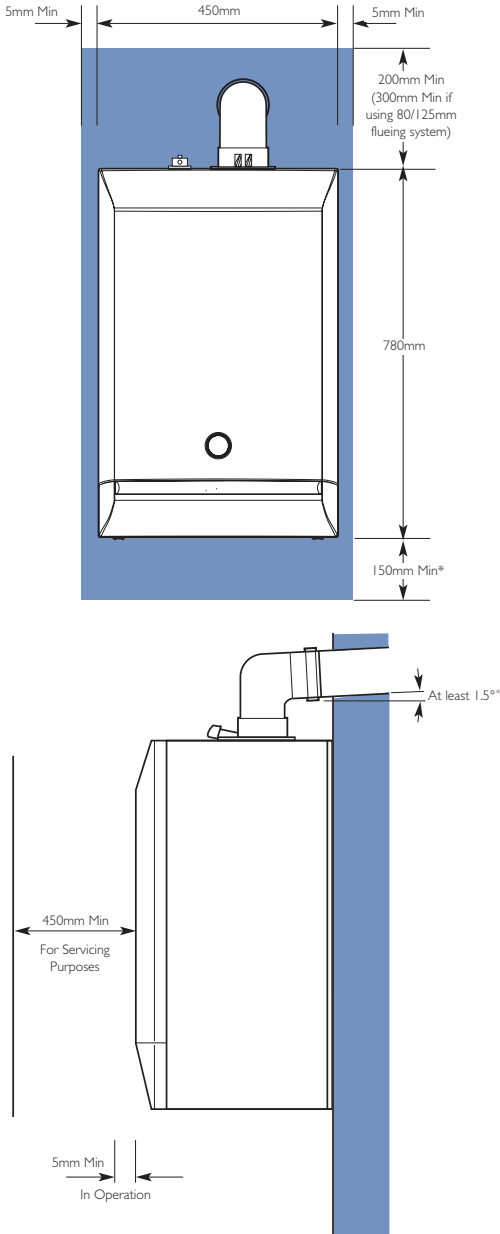
Key features & benefits:

- SEDBUK Band A rated - lower gas bills than traditional boilers
- Available in 24kW, 28kW, 33kW and 40kW models
- The Baxi Duo-tec Combi 28 HE - The Which? 'Best Buy' since 2007
- 2 year parts and labour warranty*
- Stylish contemporary design
- Compact size for tight spaces
- Easy to operate
- The Baxi Duo-tec Combi 24kW, 28kW and 33kW are available in LPG
- Our support division **heateam** is the largest of its kind in the UK to help you and your installer with any issues



The Baxi Duo-tec Combi 28 HE is CORGI Boiler of the Year 2008

*Subject to registration and a annual service.



* The 3 degree fall back on concentric flues can be reduced to 1.5 degrees providing the flue system is adequately clamped in accordance with the installation instructions.

Baxi Duo-tec Combi HE A Series: Wall mounted high efficiency combination boilers					
		24 kW	28 kW	33 kW	40 kW
CONTROLS					
Concealed User Controls		Yes	Yes	Yes	Yes
On/Off Switch with Reset		Yes	Yes	Yes	Yes
User adjustable DHW Temperature		Yes	Yes	Yes	Yes
User adjustable CH Temperature		Yes	Yes	Yes	Yes
LED Temp/Status/Fault Diagnosis Display		2 digits & 3 LEDs	2 digits & 3 LEDs	2 digits & 3 LEDs	2 digits & 3 LEDs
Integral 24 hr Electro-mechanical Timer		Optional Extra	Optional Extra	Optional Extra	Optional Extra
Remote 7 day Programmable Room Thermostat		Optional Extra	Optional Extra	Optional Extra	Optional Extra
Integral 7 day Electronic Timer		Optional Extra	Optional Extra	Optional Extra	Optional Extra
Wireless 24 hour Analogue Programmable Room Thermostat		Optional Extra	Optional Extra	Optional Extra	Optional Extra
GAS					
Heat Output CH Non Condensing (70°C Mean)	kW (Max)	20	24.0	28.0	3.2
	kW (Min)	6.8	8.7	9.4	9.6
Heat Output CH Condensing (40°C Mean)	kW (Max)	21	25.9	30.3	34.4
	kW (Min)	7.4	9.5	10.2	12.1
Heat Output Domestic Hot Water	kW (Max)	24	28	33	40
Maximum Domestic Hot Water Flow Rate	l/min @ 35°C Rise	9.8	11.5	13.5	16
SEDBUK Rating	Band	A	A	A	A
Natural Gas		Yes	Yes	Yes	Yes
LPG		Yes	Yes	Yes	N/A
ELECTRICAL					
Power Consumption	Watts	155	155	160	160
Integral 'Boiler Only' Frost Thermostat		Yes	Yes	Yes	Yes
24 Hour Pump Exercise		Yes	Yes	Yes	Yes
MECHANICAL & HYDRAULIC					
Compartment Ventilation Requirement		None	None	None	None
Stand Off Kit (For Pipe Runs Behind Boiler)		Optional Extra	Optional Extra	Optional Extra	Optional Extra
Filling Loop		Yes	Yes	Yes	Yes
Pre-plumbing Jig		Yes	Yes	Yes	Yes



Baxi
Brooks House, Coventry Road,
Warwick CV34 4LL

www.baxi.co.uk

For all enquiries, please call
0844 871 1525

Open Monday – Friday, 8am – 6pm

Weekends and Bank Holidays, 8.30am – 2pm

We are closed on Christmas Day and New Years Day

Please note calls may be monitored or recorded.



This Brochure is printed on paper sourced from well managed forests, controlled sources and recycled wood or fiber.
This Brochure is printed using vegetable based inks.
Please recycle this Brochure when you have finished with it.