



5 *5 year
guarantee*

CLAS HE

WALL-HUNG HIGH EFFICIENCY
GAS BOILERS



Elegant, efficient
and intelligent



The high efficiency boiler that saves on energy and costs



With specified intelligence,
CLAS HE adapts to the
householder's requirements

The CLAS HE range of boilers incorporate Ariston's innovative AUTO function, which enables the boiler to operate more efficiently by intelligently choosing the correct temperature for the central heating circuit.

CLAS HE also features an LCD display which, as well as displaying information on the boiler's operation, will also display an error code in the event of a shut-down to help easily determine the cause.

Home comfort with CLAS HE

- SEDBUK Band A
- NOx Class 5
- High combi DHW flow rates
15.6 l/min $\Delta T = 35^{\circ}\text{C}$ (38kW model)
- Compact dimensions
- 5 year guarantee
- Self diagnostic display
- Multiple flue options
- Extensive range of controls and accessories available
- Stainless steel heat exchanger



Easy to
install
and
service



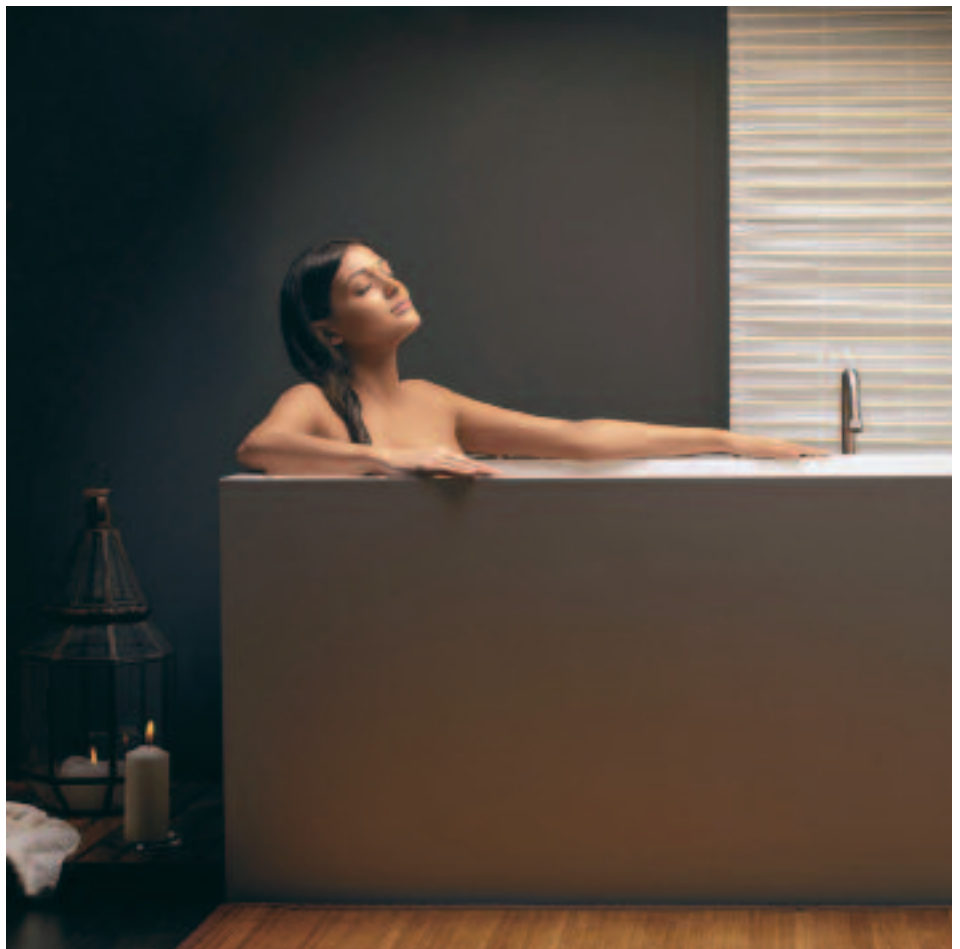
The CLAS HE boiler has been designed with ease of installation in mind and the boiler features a simple connection kit, which includes a filling loop. And to ensure a tidy finish to the installation, CLAS HE also has a clip-on connection kit cover.

With the range of installation accessories available, it is possible to; pre-plumb and test the heating system before fitting the boiler, run the pipe work behind the boiler (using the optional rear piping chassis) and, through the plume management kit, offer more siting options.

Access to the boiler is straightforward and all components inside the boiler are easily reached.

The latest technology

Maximum comfort



Easy installation, hassle free servicing

The CLAS HE range has been designed with the installer in mind.

The dimensions between the pipe work connections and the flue has been reduced, allowing for a lower fixing height.

The combi and system boiler versions feature a simple connection kit, which includes a filling loop as standard.

All components are easily accessible and require a minimal amount of tools for servicing and maintenance.

Simple controls

There is an extensive selection of easy to use controls available for the CLAS HE range. The controls are available as both wired and wireless (allowing installation without the need for a qualified electrician).

These, in conjunction with the AUTO function, will enable the boiler to work at its most efficient to achieve the desired room temperature.



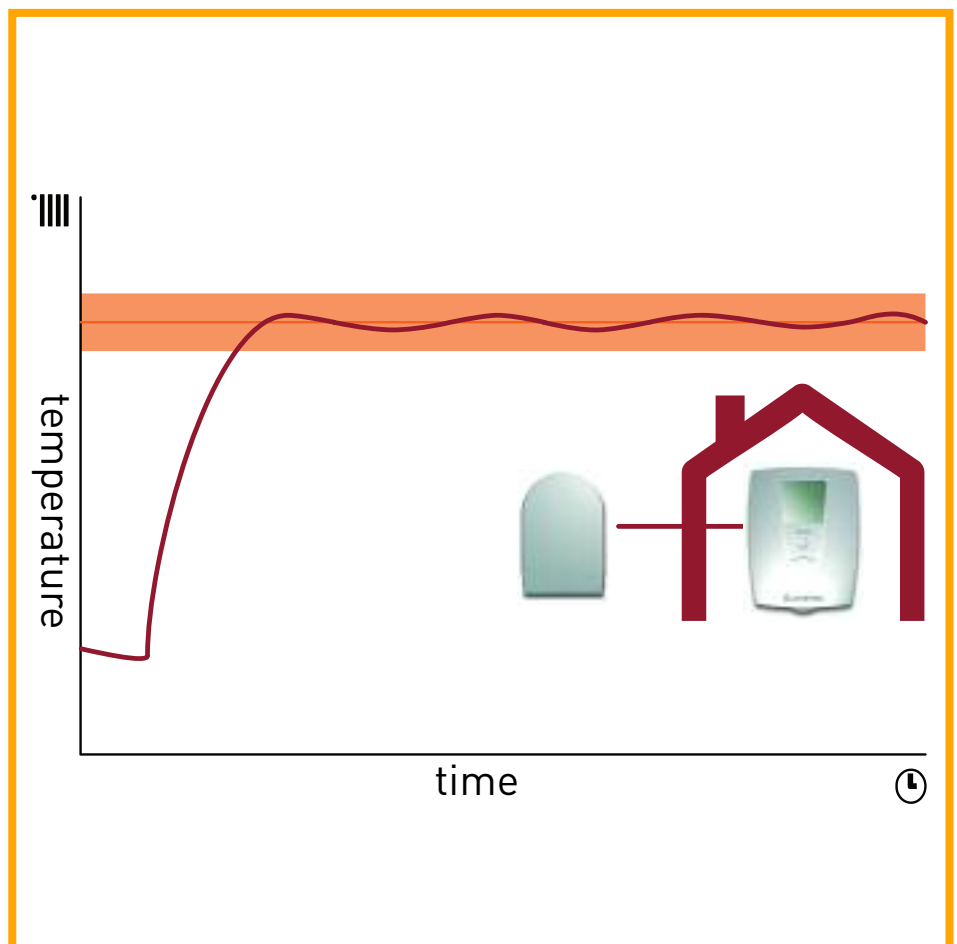
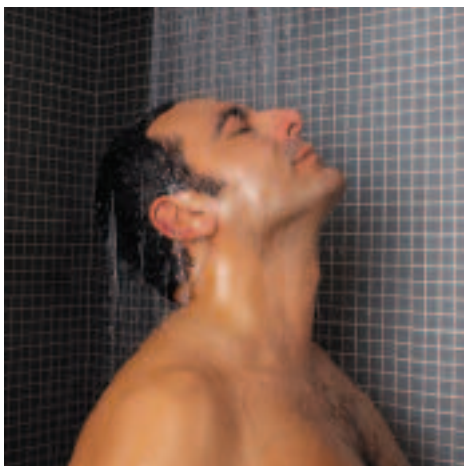
Stylish design and LCD display



Installer benefits

- SEDBUK Band A
- Filling loop (combi and system versions)
- Mechanical time clock (combi versions)
- Rear piping chassis available as an option (combi and system versions)
- Reduced fixing height between pipe work and flue
- Multiple flueing options
- Easily accessible for servicing and maintenance
- Wide range of control and installation accessories available

Weather Compensation - As Easy as **Ariston Boiler & Controls**



Customised
comfort,
unrivalled
performance

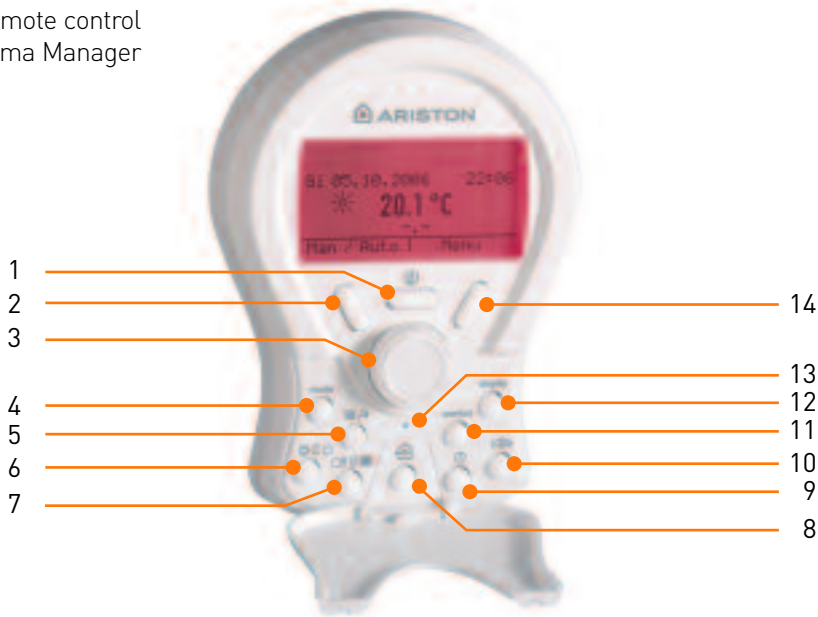
The advanced AUTO function ensures intelligent management of the room temperature whilst guaranteeing maximum energy efficiency and offering energy savings.

By pressing the AUTO button on the CLAS HE control panel, the boiler will automatically choose the ideal temperature for the central heating circuit by gradually increasing the temperature of the system water until the room reaches the set temperature, whilst guaranteeing no excessive peaks in the flow temperature.

When used in conjunction with the extensive range of controls, the AUTO function ensures greater levels of comfort and savings are achieved.

With the AUTO function activated and by fitting an outdoor sensor, with the modulating room sensor, **savings in excess of 10%** can be achieved.

Remote control
Clima Manager



- | | |
|--|------------------------------|
| 1 Information button | 8 Auto function button |
| 2 Auto/manual button | 9 Date/time set button |
| 3 Multifunction button | 10 Language selection button |
| 4 Operation mode button | 11 Comfort button |
| 5 Hot water and heating temperature set button | 12 Display-on button |
| 6 Heating mode button | 13 Reset button |
| 7 Special functions button | 14 Menu/enter button |

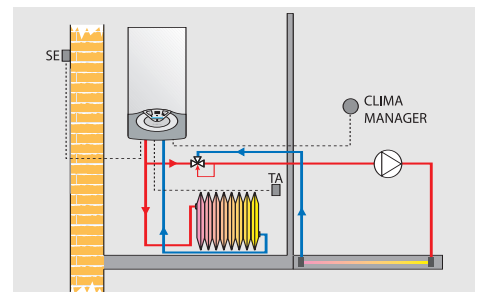
Advanced,
intelligent
functions

Multi-functional
LCD interface

Ariston also offers an extensive range of temperature controls for use with the CLAS HE range.

These are available either as hard wired or wireless, and include on-off room thermostats, modulating room sensors, outdoor sensors and programmable room thermostats.

The wireless controls can be fitted without the need for a qualified electrician.



MULTI-ZONE SYSTEMS
The temperature can be controlled separately for 2 different areas. For example, one area with a floor installation (low temperature) controlled by the Clima Manager and another with a traditional radiator-type installation (high temperature) controlled by a room thermostat.

Modulating Room Sensor

Signal Receiver

Programmable Room
Thermostat

Room Thermostat

Outdoor Sensor



CLAS HE COMBI

24 FF - 30 FF
38 FF

WALL-HUNG HIGH EFFICIENCY
GAS COMBINATION BOILERS



COMPACT
DIMENSIONS



QUIET
OPERATION



AUTO



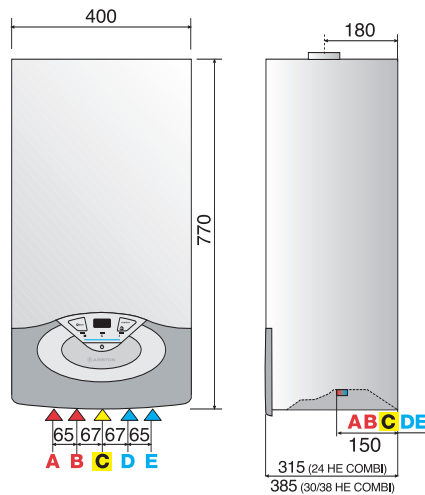
ENERGY
EFFICIENT

- SEDBUK BAND A
- AVAILABLE IN THREE OUTPUTS
- HIGH HOT WATER FLOW RATES
- COMPREHENSIVE RANGE OF WIRED AND WIRELESS CONTROLS
- UNIQUE 'AUTO' FUNCTION OPTIMISES EFFICIENCY OF BOILER AND SYSTEM
- COMFORT SWITCH (PRE-HEAT HOT WATER FUNCTION)

- AUTO-DIAGNOSTIC SYSTEM
- SIMPLE MAINTENANCE WITH ACCESS FROM THE FRONT OF THE APPLIANCE
- ANTI-FROST AND ANTI-SCALE DEVICE
- BUILT-IN AUTOMATIC BY-PASS
- BUILT-IN MECHANICAL TIME CLOCK
- INCLUDES CONNECTION KIT AND FILLING LOOP
- CLIP-ON CONNECTION KIT COVER AS STANDARD

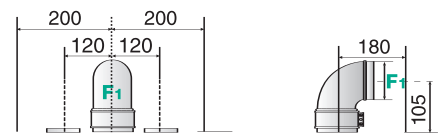


band *A*
comfort function
energy saving
extra safe *IPX5D*

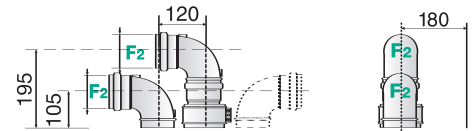


- LEGEND
- A: Central heating flow 22mm compression
 - B: Domestic hot water outlet 15mm compression
 - C: Gas inlet 15mm compression
 - D: Domestic hot water inlet 15mm compression
 - E: Central heating return 22mm compression
 - F: Flue (Ø mm)
 - F1: 60/100 - 80/125
 - F2: 80

Coaxial exhaust



Twin pipe exhaust



Technical Information

		CLAS HE 24 FF	CLAS HE 30 FF	CLAS HE 38 FF
EFFICIENCY				
SEDBUK Rating	Band	A	A	A
SAP efficiency	%	90.3	90.3	90.1
POWER & PERFORMANCE				
Heat input max.	kW - Btu/h	27.8 - 94,500	33.3 - 113,600	42.2 - 144,000
Heat input min.	kW - Btu/h	6.1 - 20,800	7.2 - 24,500	8.3 - 28,300
Heat output max. (C.H.)	kW - Btu/h	21.0 - 71,600	27.0 - 92,100	30.0 - 102,300
Heat output max. (D.H.W.)	kW - Btu/h	25.0 - 85,300	30.0 - 102,300	38.9 - 132,700
Heat output min.	kW - Btu/h	5.0 - 17,000	6.0 - 22,000	7.1 - 24,200
Central heating temp. max. (high temp.)	°C	82	82	82
Central heating temp. min. (high temp.)	°C	35	35	35
Central heating temp. max. (low temp.)	°C	45	45	45
Central heating temp. min. (low temp.)	°C	20	20	20
D.H.W. temperature maximum	°C	60	60	60
D.H.W. temperature minimum	°C	36	36	36
D.H.W. flow rate $\Delta T = 35^\circ\text{C}$	l/min	10.3	12.9	15.6
D.H.W. flow rate $\Delta T = 35^\circ\text{C}$	gal/min	2.2	2.8	3.4
CHARACTERISTICS				
Minimum ambient temperature	°C	5	5	5
D.H.W. minimum flow rate	l/min	2.0	2.0	2.0
Domestic hot water pressure maximum	bar	7	7	7
Domestic hot water pressure minimum	bar	0.3	0.3	0.3
Built-in expansion vessel capacity	l	8	8	8
Built-in expansion vessel pre-charged pressure	bar	0.7	0.7	0.7
Maximum water content of system	l	100	100	100
Maximum heating pressure	bar	3	3	3
Servicing clearances - top/front/bottom	mm	300/450/300	300/450/300	300/450/300
Servicing clearances - left/right	mm	5/5	5/5	5/5
Zero compartment ventilation		Yes	Yes	Yes
Weight	kg	32	35	35
ELECTRICAL DATA				
Electrical supply	V/Hz	230/50	230/50	230/50
Power consumption	W	114	115	150
Protection grade of electrical system	IP	X5D	X5D	X5D
Internal fuse rating		2A Fast Fuse	2A Fast Fuse	2A Fast Fuse

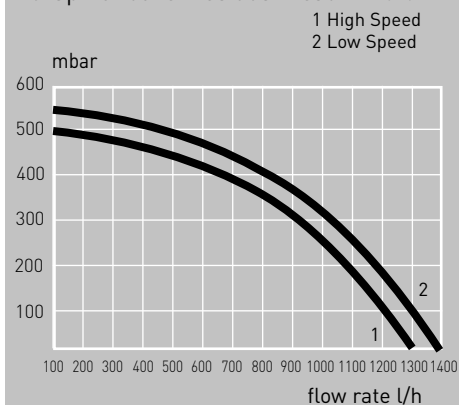
PRODUCT CODE	3665032	3665033	3665072
--------------	---------	---------	---------

Accessories

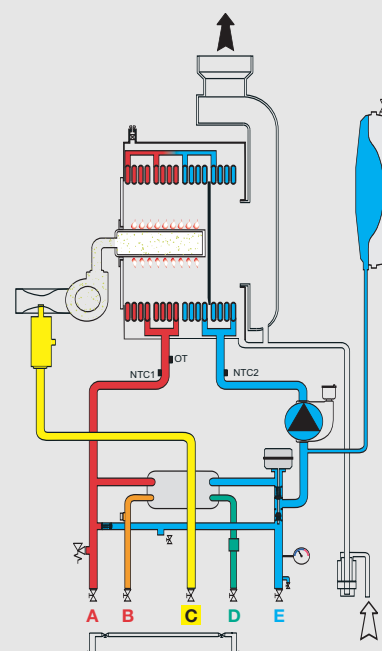
	Code
WIRED CONTROLS	
Digital Time Clock (Integral)	3318463
On/Off Room Thermostat	3318238
On/Off Programmable Room Thermostat	3318239
Modulating Room Sensor	3318447
Outdoor Sensor	3318232
Clima Manager	3318230
WIRELESS CONTROLS	
On/Off Programmable Room Thermostat	3318241
Receiver (On/Off Controls)	3318240
GENERAL ACCESSORIES	
Rear Piping Chassis	3678411
Metal Template	3318246
Pre-Installation Kit (UK)	3678356
Pre-Installation Kit (IE)	3678420
Clip-in (2 Zone Control)	3318242
System Cleaner	705998

*maximum
flexibility*

Graph of boiler residual head $\Delta T 20^\circ\text{C}$



ROOM SEALED FAN FLUE



CLAS HE SYSTEM

18 FF - 24 FF
30 FF

WALL-HUNG HIGH EFFICIENCY
GAS SYSTEM BOILERS



COMPACT
DIMENSIONS



QUIET
OPERATION



AUTO



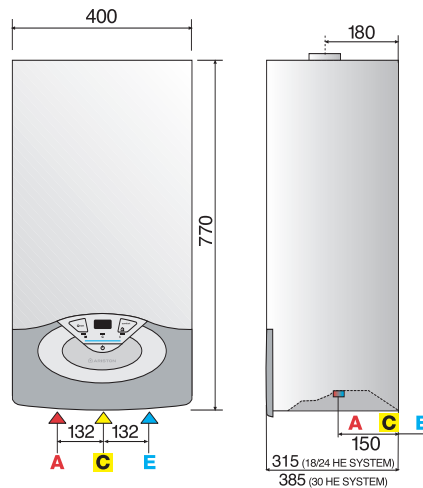
SAVING

- SEDBUK BAND A
- AVAILABLE IN THREE OUTPUTS
- COMPREHENSIVE RANGE OF WIRED AND WIRELESS CONTROLS
- UNIQUE 'AUTO' FUNCTION OPTIMISES EFFICIENCY OF BOILER AND SYSTEM
- AUTO-DIAGNOSTIC SYSTEM
- SIMPLE MAINTENANCE WITH ACCESS FROM THE FRONT OF THE APPLIANCE

- BUILT-IN AUTOMATIC BY-PASS
- INCLUDES CONNECTION KIT AND FILLING LOOP
- CLIP-ON CONNECTION KIT COVER AS STANDARD



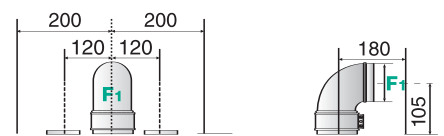
band *A*
energy saving
extra safe *IPX5D*



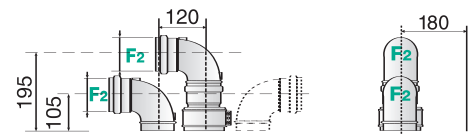
LEGEND

- A: Central heating flow 22mm compression
- C: Gas inlet 15mm compression
- E: Central heating return 22mm compression
- F: Flue (Ø mm)
- F1: 60/100 - 80/125
- F2: 80

Coaxial exhaust



Twin pipe exhaust



Technical Information

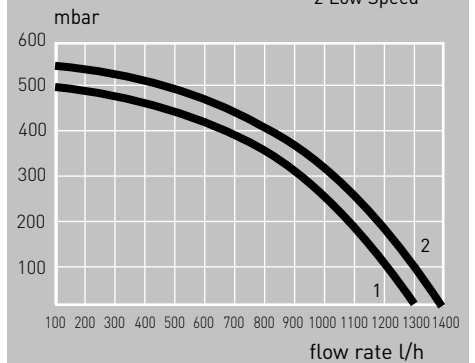
		CLAS HE SYSTEM 18 FF	CLAS HE SYSTEM 24 FF	CLAS HE SYSTEM 30 FF
EFFICIENCY				
SEDBUK Rating	Band	A	A	A
SAP efficiency	%	90.2	90.4	90.4
POWER & PERFORMANCE				
Heat input max.	kW-Btu/h	20.0 - 68,200	27.7 - 94,500	33.3 - 113,600
Heat input min.	kW-Btu/h	5.0 - 17,000	6.1 - 20,800	7.2 - 24,500
Heat output max. (C.H.)	kW-Btu/h	17.6 - 60,000	21.0 - 71,600	27.0 - 92,100
Heat output min.	kW-Btu/h	4.2 - 14,300	5.0 - 17,000	6.0 22,000
Central heating temp. max. (high temp.)	°C	82	82	82
Central heating temp. min. (high temp.)	°C	35	35	35
Central heating temp. max. (low temp.)	°C	45	45	45
Central heating temp. min. (low temp.)	°C	20	20	20
CHARACTERISTICS				
Minimum ambient temperature	°C	5	5	5
Built-in expansion vessel capacity	l	8	8	8
Built-in expansion vessel pre-charged	bar	0.7	0.7	0.7
Maximum water content of system	l	100	100	100
Maximum heating pressure	bar	3	3	3
Servicing clearances - top/front/bottom	mm	300/450/300	300/450/300	300/450/300
Servicing clearances - left/right	mm	5/5	5/5	5/5
Zero compartment ventilation		Yes	Yes	Yes
Weight	kg	31	32	35
ELECTRICAL DATA				
Electrical supply	V/Hz	230/50	230/50	230/50
Power consumption	W	105	114	115
Protection grade of electrical system	IP	X5D	X5D	X5D
Internal fuse rating		2A Fast Fuse	2A Fast Fuse	2A Fast Fuse
PRODUCT CODE		3665073	3665070	3665071

Accessories

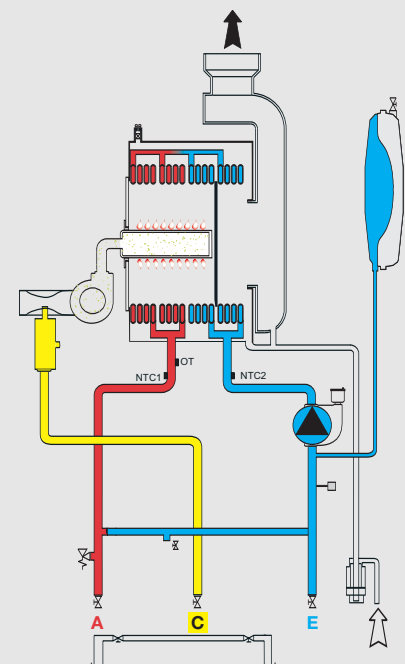
	Code
WIRED CONTROLS	
On/Off Room Thermostat	3318238
On/Off Programmable Room Thermostat	3318239
Modulating Room Sensor	3318447
Outdoor Sensor	3318232
Clima Manager	3318230
WIRELESS CONTROLS	
On/Off Programmable Room Thermostat	3318241
Receiver (On/Off Controls)	3318240
GENERAL ACCESSORIES	
Rear Piping Chassis	3678411
Metal Template	3318246
Pre-Installation Kit (UK)	3678356
Pre-Installation Kit (IE)	3678420
Clip-in (2 Zone Control)	3318242
System Cleaner	705998

*highly
adaptable*

Graph of boiler residual head $\Delta T 20^{\circ}\text{C}$
1 High Speed
2 Low Speed



ROOM SEALED FAN FLUE



CLAS HE R

12 FF - 18 FF
24 FF

WALL-HUNG HIGH EFFICIENCY
GAS REGULAR BOILERS



COMPACT DIMENSIONS



QUIET OPERATION



AUTO



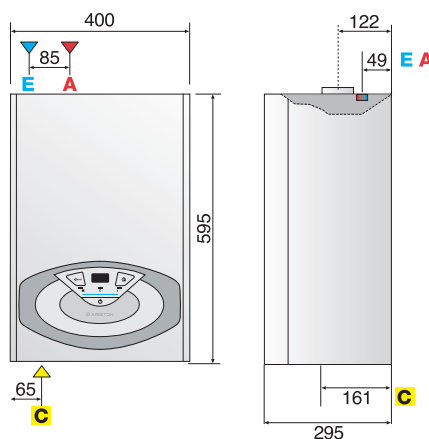
SAVING

- SEDBUK BAND A
- AVAILABLE IN THREE OUTPUTS
- UNIQUE 'AUTO' FUNCTION OPTIMISES EFFICIENCY OF BOILER AND SYSTEM
- TWO ZONE TEMPERATURE MANAGEMENT ALLOWS OPTIMISATION AND EASY UPGRADE OF STANDARD SYSTEMS
- COMPATIBLE WITH OUTDOOR SENSOR
- AUTO-DIAGNOSTIC SYSTEM

- SIMPLE MAINTENANCE WITH ACCESS FROM THE FRONT OF THE APPLIANCE
- FOR USE ON OPEN VENTED AND SEALED SYSTEMS
- ANTI-FROST PROTECTION
- SEALED SYSTEM KIT AVAILABLE AS AN OPTIONAL EXTRA
- 240V SWITCHING



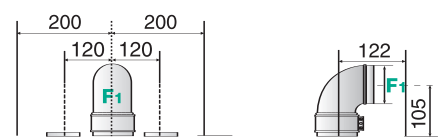
band *A*
energy saving
extra safe *IPX5D*



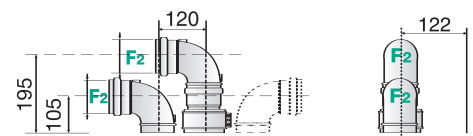
LEGEND

- A: Central heating flow 22mm compression
- C: Gas inlet 15mm compression
- E: Central heating return 22mm compression
- F: Flue (Ø mm)
- F1: 60/100 - 80/125
- F2: 80

Coaxial exhaust



Twin pipe exhaust



Technical Information

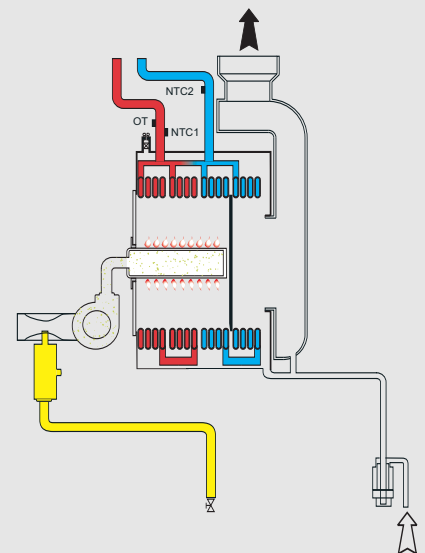
		CLAS HE R 12 FF	CLAS HE R 18 FF	CLAS HE R 24 FF
EFFICIENCY				
SEDBUK Rating	Band	A	A	A
SAP efficiency	%	90.2	90.4	90.4
POWER & PERFORMANCE				
Heat input max.	kW-Btu/h	12.0 - 40,900	20.0 - 68,200	22.0 - 75,000
Heat input min.	kW-Btu/h	3.0 - 10,200	5.0 - 17,000	5.5 - 18,800
Heat output max. (C.H.)	kW-Btu/h	11.7 - 40,000	17.6 - 60,000	21.6 - 73,700
Heat output min.	kW-Btu/h	2.8 - 9,500	4.2 - 14,300	5.2 - 17,700
Central heating temp. max. (high temp.)	°C	82	82	82
Central heating temp. min. (high temp.)	°C	35	35	35
Central heating temp. max. (low temp.)	°C	45	45	45
Central heating temp. min. (low temp.)	°C	20	20	20
CHARACTERISTICS				
Minimum ambient temperature	°C	5	5	5
Servicing clearances - top/front/bottom	mm	250/450/300	250/450/300	250/450/300
Servicing clearances - left/right	mm	5/5	5/5	5/5
Zero compartment ventilation		Yes	Yes	Yes
Weight	kg	23	23	23
ELECTRICAL DATA				
Electrical supply	V/Hz	230/50	230/50	230/50
Power consumption	W	87	105	114
Protection grade of electrical system	IP	X5D	X5D	X5D
Internal fuse rating		2A Fast Fuse	2A Fast Fuse	2A Fast Fuse
PRODUCT CODE		3665086	3665087	3665088

Accessories

	Code
HYDRAULIC ACCESSORIES	
Sealed System Kit	3678458
WIRED CONTROLS	
On/Off Room Thermostat	3318238
Outdoor Sensor	3318232
Twin Channel Digital Programmer	3318412
WIRELESS CONTROLS	
Twin Channel Digital Programmer	3318413

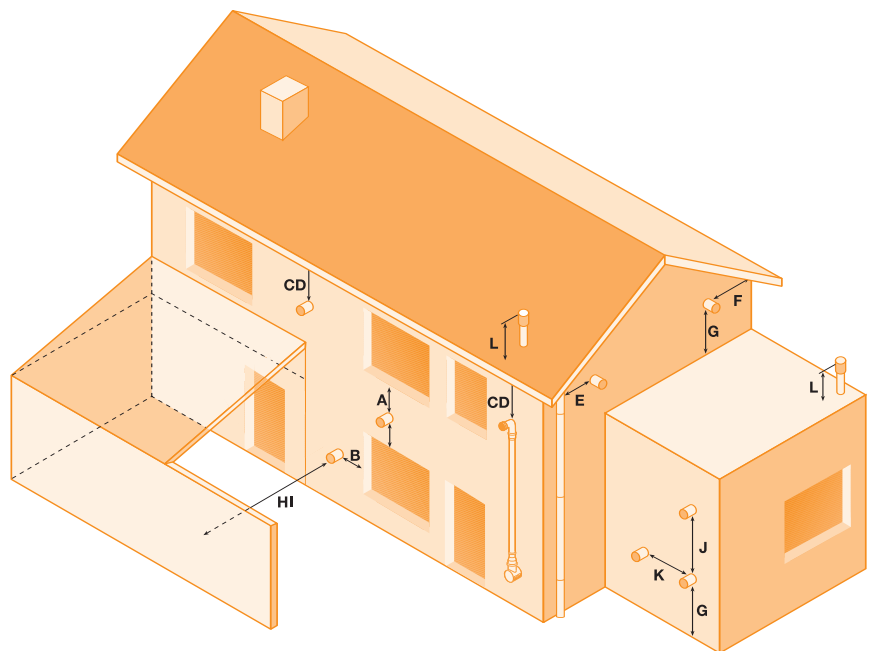
*totally
versatile*

ROOM SEALED FAN FLUE



Flue pipe accessories- Easy installation with unrivalled flexibility

Ariston boilers are designed to be completely adaptable to every possible flue situation that may be encountered during installation. The need for alteration to flue components is almost completely eliminated, making installation of the boiler quick and easy. It is possible to site flue terminals in a variety of positions in accordance with BS5440-1:2000.



Installation conditions

TERMINAL POSITION

TERMINAL POSITION	mm	
A	Directly above/below an opening, air brick, opening windows, etc	300
B	Horizontally to an opening, air brick, opening windows, etc	300
C	Below gutters, soil pipes or drain pipes	75
D	Below eaves	200
E	From vertical drain or soil pipe	75
F	From an internal or external corner	300
G	Above ground roof or balcony level	2100
H	From a surface facing the terminal	2500
I	From a terminal facing the terminal	2500
J	Vertically from a terminal on the same wall	1500
K	Horizontally from a terminal in the same wall	300
L	Fixed by use of terminal and matched flashing plate	-

NOTE

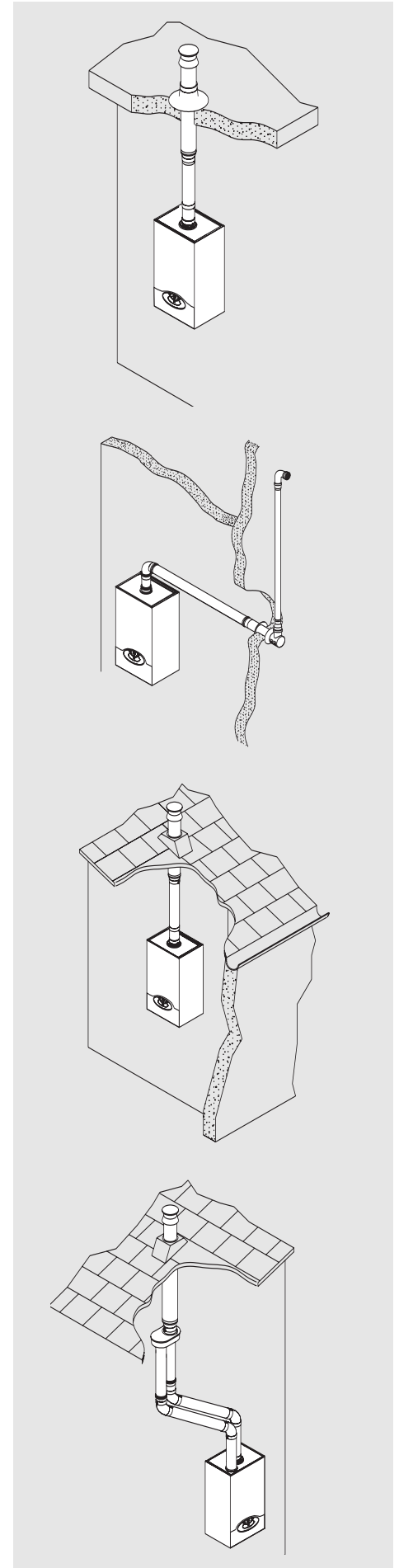
- Do not install in a place likely to cause a nuisance/damage/discolouration
- Carport installations not acceptable with HE appliances
- Products should not cross property boundaries (2.5 metres)

Flue Accessories

Description	Code
COAXIAL SYSTEMS 60/100	
Horizontal Coaxial Kit - 1000mm	3318073
Horizontal Coaxial Kit + Vertical Starter	3318074
90° Coaxial Elbow	3318075
45° Coaxial Elbow (Pack of 2)	3318076
Coaxial Extension - 2000mm	3318465
Coaxial Extension - 1000mm	3318077
Coaxial Extension - 500mm	3318078
Vertical Starter	3318079
Vertical Flue with Black Terminal	3318080
Vertical Flue with Red Terminal	3318081
Plume Kit (inc. 1000mm Horizontal Terminal)	3318329
Plume Extension (Ø60mm) - 1000mm	3318105
Plume 45° MF Elbow (Ø60mm) (Pack of 2)	3318106
COAXIAL SYSTEMS 80/125	
Horizontal Coaxial Kit + Adaptor (Ø80/125)	3318090
90° Coaxial Elbow (Ø80/125)	3318091
45° Coaxial Elbow (Ø80/125)	3318092
Coaxial Extension - 2000mm (Ø80/125)	3318466
Coaxial Extension - 1000mm (Ø80/125)	3318093
Coaxial Extension - 500mm (Ø80/125)	3318094
Adaptor/Vertical Starter (Ø60/100 - Ø80/125)	3318095
Vertical Flue with Black Terminal	3318080
Vertical Flue with Red Terminal	3318081
Adaptor (Ø80/125 - Ø60/100)	3318200
TWIN PIPE SYSTEMS Ø80/80	
Adaptor (Ø60/80) for Twin Pipe Systems	3318369
Horizontal Twin Pipe (Ø80) Flue Kit	3318370
90° MF Elbow (Ø80)	3318084
45° MF Elbow (Ø80) (Pack of 2)	3318085
Extension - 1000mm (Ø80)	3318086
Extension - 500mm (Ø80)	3318087
Adaptor Ø80/125 - Ø80 for Vertical Termination	3318088
Adaptor Ø80/125 - Ø80 for Vertical Termination	3318089
Vertical Flue with Black Terminal	3318080
Vertical Flue with Red Terminal	3318081
Stainless Steel Exhaust Cap Adaptor (Ø80)	3318027
Intake Vent Cap (Ø80)	3318028
SUNDRY ITEMS	
Black Lead Flashing Base Cap (12-40°)	3318009
Red Lead Flashing Base Cap (12-40°)	3318010
Black Vent Cap Base for Flat Roof	3318011
Red Vent Cap Base for Flat Roof	3318012
Wall Bracket Kit (Ø80-Ø125) (Pack of 3)	3318015
Cover Plate (Ø100)	3318016
Plume Deflector (45°)	3829009

MODEL	12 FF	18 FF	24 FF	30 FF	38 FF
MAX FLUE LENGTHS					
Horizontal Coaxial 60/100 (m)	16	14	12	10	6
Horizontal Coaxial 80/125 (m)	48	42	36	30	18
Vertical Coaxial 60/100 (m)	16	14	12	10	8
Vertical Coaxial 80/125 (m)	56	49	42	35	21
Twin Pipe (equal lengths*)	48 + 48	42 + 42	36 + 36	30 + 30	18 + 18

* Other Twin Flue configurations are available, please refer to product manual for exact details.



ARISTON THERMO GROUP

Ariston Thermo UK Ltd
Ariston Building
Hughenden Avenue
High Wycombe
Bucks HP13 5FT
Telephone 01494 755600
Fax 01494 459775

Technical Advice & Customer Service
Fax 01494 463066
techhelpdesk.uk@aristonthermo.com
info.uk@aristonthermo.com

www.ariston.co.uk

