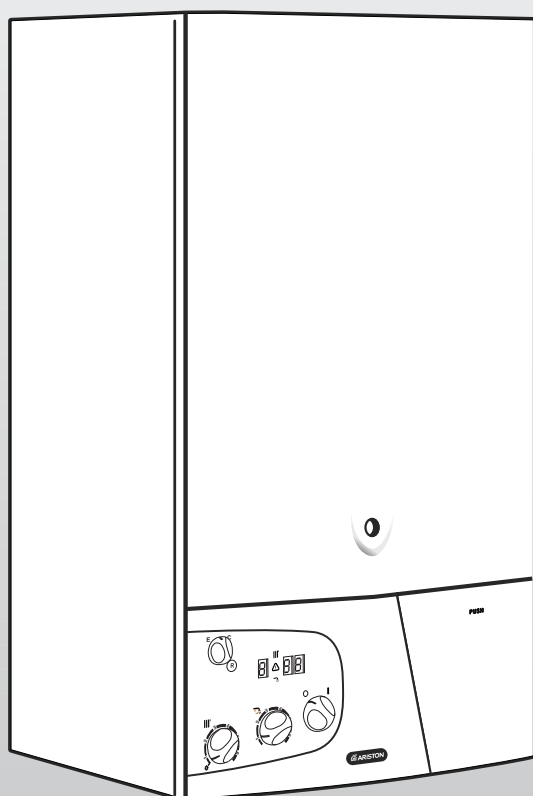


micro **GENUS HE**

Installation and Servicing Instructions

Type C Boilers

microGENUS HE 24 MFFI G.C.N: 47-116-37
microGENUS HE 28 MFFI G.C.N: 47-116-38
microGENUS HE 32 MFFI G.C.N: 47-116-39



**LEAVE THESE INSTRUCTIONS WITH
THE END-USER**

 **ARISTON**


The code of practice for the installation,
commissioning & servicing of central heating systems

 **WRAS** APPROVED
PRODUCT

Country of destination: GB / IE



TABLE OF CONTENTS

1. GENERAL INFORMATION	PAGE. 3	6.2.3 REMOVING THE SIDE PANELS	PAGE. 43
1.1 GENERAL INSTRUCTIONS	PAGE. 3	6.3 ACCESS TO THE COMBUSTION CHAMBER	PAGE. 44
1.2 OVERALL VIEW	PAGE. 4	6.3.1 REMOVING THE COMBUSTION CHAMBER	PAGE. 44
2. INSTALLATION	PAGE. 5	6.3.2 REMOVING THE BURNER AND JETS	PAGE. 44
2.1 REFERENCE STANDARDS	PAGE. 5	6.3.3 REMOVING THE ELECTRODES	PAGE. 44
2.2 SITING THE APPLIANCE	PAGE. 5	6.3.4 REMOVING THE MAIN HEAT EXCHANGER	PAGE. 45
2.3 OVERALL DIMENSIONS	PAGE. 6	6.3.5 REMOVING THE AIR PRESSURE SWITCH	PAGE. 46
2.4 CLEARANCES	PAGE. 6	6.3.6 REMOVING THE FAN	PAGE. 47
2.5 MOUNTING THE APPLIANCE	PAGE. 6	6.3.7 REMOVING THE FLUE / CONDENSATE SENSOR	PAGE. 47
2.6 ELECTRICAL CONNECTION	PAGE. 7	6.3.8 REMOVING THE RECUPERATOR	PAGE. 48
2.7 GAS CONNECTION	PAGE. 8	6.3.9 REMOVING THE RECUPERATOR HOUSING	PAGE. 49
2.8 WATER CONNECTION	PAGE. 8	6.3.10 REMOVING THE CONDENSATE TRAP	PAGE. 49
2.8.1 CONDENSATE REMOVAL	PAGE. 10	6.4 ACCESS TO THE GAS VALVE	PAGE. 50
2.9 FLUE CONNECTION	PAGE. 12	6.4.1 REMOVING THE SPARK GENERATOR	PAGE. 50
2.9.1 FITTING THE COAXIAL FLUE (60/100 HORIZONTAL)	PAGE. 13	6.4.2 REMOVING THE GAS VALVE	PAGE. 50
2.9.2 FITTING THE 5" FLUE (80/125 HORIZONTAL/VERTICAL)	PAGE. 14	6.5 ACCESS TO THE WATER CIRCUIT	PAGE. 51
2.9.3 FITTING THE COAXIAL FLUE (60/100 VERTICAL)	PAGE. 15	6.5.1 REMOVING THE D.H.W. (SECONDARY) EXCHANGER	PAGE. 51
2.9.4 FITTING THE TWIN PIPE (80/80)	PAGE. 16	6.5.2 REMOVING THE PUMP PRESSURE SWITCH	PAGE. 52
2.10 CONTROL PANEL	PAGE. 21	6.5.3 REMOVING THE SAFETY VALVE	PAGE. 52
2.11 DIGITAL DISPLAY AND FAULT CODES	PAGE. 21	6.5.4 REMOVING THE AUTOMATIC AIR VENT	PAGE. 53
2.12 REMOVING THE FRONT PANEL	PAGE. 22	6.5.5 REMOVING THE PUMP	PAGE. 53
2.13 ROOM THERMOSTAT / REMOTE CLOCK CONNECTION	PAGE. 22	6.5.6 REMOVING THE PRESSURE GAUGE	PAGE. 54
2.14 FITTING THE DIGITAL CLOCK	PAGE. 23	6.5.7 REMOVING THE EXPANSION VESSEL	PAGE. 55
2.15 SETTING THE MECHANICAL CLOCK	PAGE. 24	6.5.8 REMOVING THE OVERHEAT THERMOSTAT	PAGE. 55
2.16 SETTING THE DIGITAL CLOCK	PAGE. 24	6.5.9 REMOVING THE C.H. TEMPERATURE SENSOR (N.T.C.)	PAGE. 56
2.17 ELECTRICAL/SYSTEM DIAGRAMS	PAGE. 26	6.5.10 REMOVING THE D.H.W. TEMPERATURE SENSOR (N.T.C.)	PAGE. 56
2.18 WATER CIRCUIT DIAGRAM	PAGE. 28	6.5.11 REMOVING THE DIVERTER VALVE ACTUATOR	PAGE. 56
3. COMMISSIONING	PAGE. 29	6.5.12 REMOVING THE D.H.W. FLOW SWITCH	PAGE. 57
3.1 INITIAL PREPARATION	PAGE. 29	6.6 ACCESS TO THE CONTROL SYSTEM	PAGE. 57
3.2 INITIAL START-UP	PAGE. 31	6.6.1 CHECKING THE FUSES	PAGE. 57
3.3 OPERATIONAL ADJUSTMENTS	PAGE. 32	6.6.2 REMOVING THE P.C.B.	PAGE. 58
3.4 COMBUSTION ANALYSIS	PAGE. 32	6.6.3 REMOVING THE TIME CLOCK	PAGE. 59
3.5 PRODUCT OF COMBUSTION DISCHARGE MONITORING	PAGE. 32	7. FAULT FINDING	PAGE. 60
3.6 COMFORT MODE	PAGE. 32	7.1 FAULT FINDING GUIDE (FLOW-CHARTS)	PAGE. 60
3.7 BOILER SAFETY SYSTEMS	PAGE. 33	8. SHORT SPARE PARTS LIST	PAGE. 63
3.8 DRAINING THE SYSTEM	PAGE. 34	9. TECHNICAL INFORMATION	PAGE. 66
3.9 COMPLETION	PAGE. 35	10. BENCHMARK COMMISSIONING CHECKLIST	PAGE. 68
3.10 OPERATIONAL CHECKS	PAGE. 35	11. SERVICE INTERVAL RECORD	PAGE. 69
3.11 INSTRUCTING THE END USER	PAGE. 36		
4. GAS ADJUSTMENTS	PAGE. 37		
4.1 CHANGING THE TYPE OF GAS	PAGE. 37		
4.2 ADJUSTING THE GAS PRESSURES	PAGE. 37		
5. MAINTENANCE	PAGE. 41		
6. SERVICING INSTRUCTIONS	PAGE. 42		
6.1 REPLACEMENT OF PARTS	PAGE. 42		
6.2 TO GAIN GENERAL ACCESS	PAGE. 42		
6.2.1 REMOVING THE FRONT PANEL	PAGE. 42		
6.2.2 REMOVING THE SEALED CHAMBER FRONT PANEL	PAGE. 43		

1. GENERAL INFORMATION

This manual is an integral and essential part of the product. It should be kept with the appliance so that it can be consulted by the user and our authorised personnel.

Please carefully read the instructions and notices about the unit contained in this manual, as they provide important information regarding the safe installation, use and maintenance of the product.

For operating instructions please consult the separate End User Manual.

1.1 GENERAL INSTRUCTIONS

Read the instructions and recommendations in these Installation and Servicing Instructions carefully to ensure proper installation, use and maintenance of the appliance.

Keep this manual in a safe place. You may need it for your own reference while Servicing Technicians or your installer may need to consult it in the future.

This is a condensing combined appliance for the production of central heating (C.H.) and domestic hot water (D.H.W.).

This appliance **must be used only** for domestic use. The manufacturer declines all liability for damage caused by improper or negligent use.

No asbestos or other hazardous materials have been used in the fabrication of this product.

MTS recommends the use of protective clothing when installing and working on this appliance i.e. gloves.

Before connecting the appliance, check that the information shown on the data plate and the table in Section 9 comply with the electric, water and gas mains of the property. You will find the data plate on the inside of the left hand casing panel.

The gas with which this appliance operates is also shown on the label at the bottom of the boiler.

Do not install this appliance in a damp environment or close to equipment which spray water or other liquids.

Do not place objects on the appliance.

Do not allow children or inexperienced persons to use the appliance without supervision.

If you smell gas in the room, **do not turn on or off** light switches, use the telephone or any other object which might cause sparks.

Open doors and windows immediately to ventilate the room.

Shut the gas mains tap (at or adjacent to the gas meter) or the valve of the gas cylinder and call your Gas Supplier immediately.

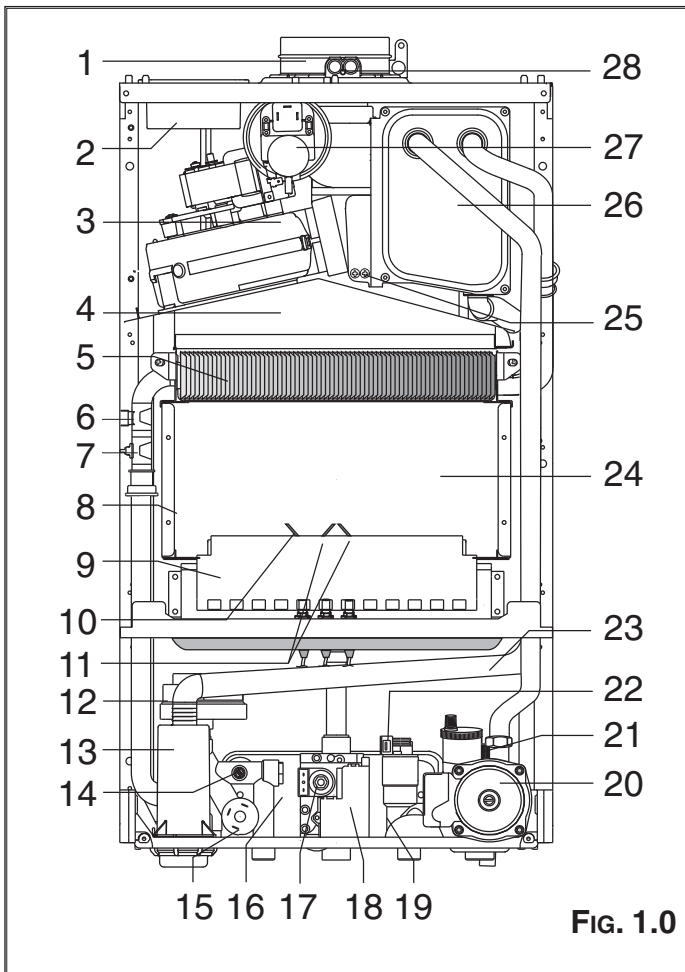
If you are going away for a long period of time, remember to shut the mains gas tap or the gas cylinder valve.

Always disconnect the appliance either by unplugging it from the mains or turning off the mains switch before cleaning the appliance or carrying out maintenance.

In the case of faults or failure, switch off the appliance and turn off the gas tap. Do not tamper with the appliance.

For repairs, call your local Authorised Servicing Agent and request the use of original spare parts. For in-guarantee repairs contact MTS (GB) Limited.

1.2 OVERALL VIEW



LEGEND:

1. Flue Manifold
2. Air Intake for Twin Pipe Flue Systems
3. Fan
4. Combustion Chamber Hood
5. Main Heat Exchanger
6. Overheat Thermostat
7. Central Heating Flow Temperature Probe
8. Combustion Chamber Insulation Panel
9. Burner
10. Detection Electrode
11. Ignition Electrodes
12. Motorised Valve
13. Condensate trap
14. Domestic Hot Water Temperature Probe
15. Low Water Pressure Switch
16. Secondary Heat Exchanger
17. Gas Valve
18. Spark Generator
19. Cold Water Inlet Filter
20. Pump (w/auto air vent)
21. Safety Valve
22. D.H.W. Flow Switch
23. Condensate Trap Tube
24. Combustion Chamber
25. Condensate Sensor
26. Latent Heat Collector
27. Air Pressure Switch
28. Combustion Analysis Test Point

2. INSTALLATION

2.1 REFERENCE STANDARDS

The technical information and instructions provided herein below are intended for the installer / Servicing Technician so that the unit may be installed and serviced correctly and safely.

In the United Kingdom the installation and initial start up of the boiler must be by a CORGI Registered Installer in accordance with the installation standards currently in effect, as well as with any and all local health and safety standards i.e. CORGI.

In the Republic of Ireland the installation and initial start up of the appliance must be carried out by a Competent Person in accordance with the current edition of I.S.813 "Domestic Gas Installations", the current Building Regulations, reference should also be made to the current ETCI rules for electrical installation.

This appliance must be installed by a competent installer in accordance with current Gas Safety (installation & use) Regulations.

The installation of this appliance must be in accordance with the relevant requirements of the Local Building Regulations, the current I.E.E. Wiring Regulations, the bylaws of the local water authority, in Scotland, in accordance with the Building Standards (Scotland) Regulation and Health and Safety document No. 635 "Electricity at work regulations 1989" and in the Republic of Ireland with the current edition of I.S. 813, the Local Building Regulations (IE).

C.O.S.H.H.

Materials used in the manufacture of this appliance are non-hazardous and no special precautions are required when servicing.

Installation should also comply with the following British Standard Codes of Practice

BS 7593:1992	Treatment of water in domestic hot water central heating systems
BS 5546:2000	Installation of hot water supplies for domestic purposes
BS 5440-1:2000	Flues
BS 5440-2:2000	Air supply
BS 5449:1990	Forced circulation hot water systems
BS 6798:2000	Installation of gas fired hot water boilers of rated input not exceeding 70kW
BS 6891:1998	Installation of low pressure gas pipe up to 28mm
BS 7671:2001	IEE wiring regulations
BS 4814:1990	Specification for expansion vessels
BS 5482:1994	Installation of L.P.G.

and in the Republic of Ireland in accordance with the following Codes of Practice:

I.S. 813	Domestic Gas Installations
----------	----------------------------

2.2 SITING THE APPLIANCE

The appliance may be installed in any room or indoor area, although particular attention is drawn to the requirements of the current I.E.E. Wiring Regulations, and in Scotland, the electrical provisions of the Building Regulations applicable in Scotland, with respect to the installation of the combined appliance in a room containing a bath or shower, the location of the boiler in a room containing a bath or shower should only be considered if there is no alternative.

Where a room-sealed appliance is installed in a room containing a bath or shower the appliance and any electrical switch or appliance control, utilising mains electricity should be situated so that it cannot be touched by a person using the bath or shower, specifically in accordance with current IEE Wiring Regulations.

The location must permit adequate space for servicing and air circulation around the appliance as indicated in Section 2.4.

The location must permit the provision of an adequate flue and termination.

For unusual locations special procedures may be necessary.

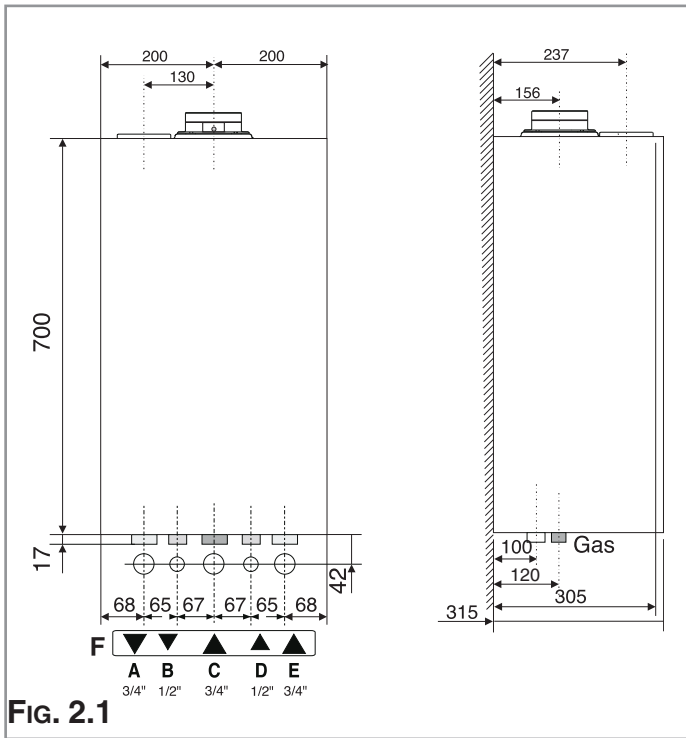
BS 6798-2000 gives detailed guidance on this aspect.

A compartment used to enclose the appliance must be designed specifically for this purpose. No specific ventilation requirements are needed for the installation within a cupboard.

This appliance is not suitable for outdoor installation.

The type C appliances (in which the combustion circuit, air vent intake and combustion chamber are air-tight with respect to the room in which the appliance is installed) can be installed in any type of room. However, as the appliance has many functioning components, pay particular attention when siting the appliance in room such as bedrooms as operating noise may be a nuisance.

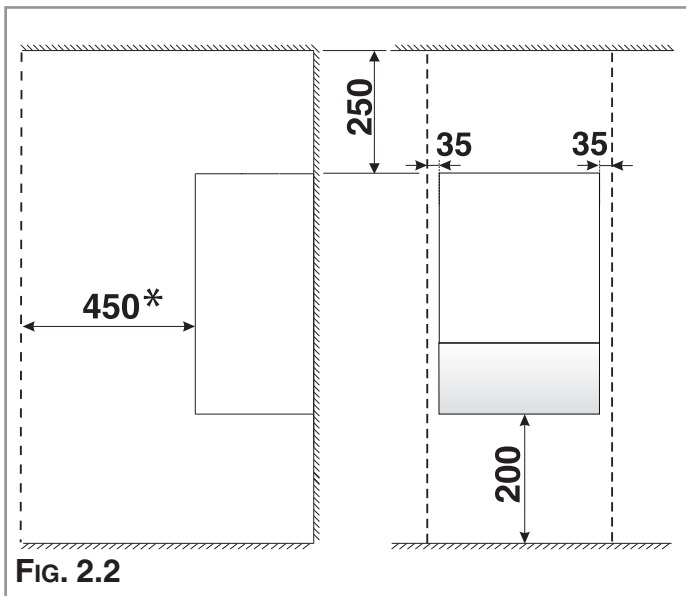
Secondary ventilation is not required with this boiler. The boiler must be installed on a solid, non-combustible, permanent wall to prevent access from the rear.



2.3 OVERALL DIMENSIONS

LEGEND:

- A = Central Heating Flow (3/4" - 22mm Copper Tail)
- B = Domestic Hot Water Outlet (1/2" - 15mm Copper Tail)
- C = Gas Inlet (3/4" - 15mm Copper Tail)
- D = Domestic Cold Water Inlet (1/2" - 15mm Copper Tail)
- E = Central Heating Return (3/4" - 22mm Copper Tail)



2.4 CLEARANCES

In order to allow access to the interior of the boiler for maintenance purposes, the boiler must be installed in compliance with the minimum clearances indicated in **FIG. 2.2**

- * Clearance for Servicing 25mm if behind a temporary closure i.e. door.

2.5 MOUNTING THE APPLIANCE

After removing the boiler from its packaging, remove the template from the separate box containing the connection kit. **NOTE:** Pay particular attention to any test water that may spill from the appliance.

Place the template in the position the appliance is to be mounted and after ensuring it is hanging squarely, use it to mark the holes for the hanging bracket, connection kit and flue pipe(s) **NB:** For further information relating to the flue installation please refer to Section 2.9 FLUE CONNECTION. (If the appliance is to be fitted on a wall of combustible material, the wall **must** be protected by a sheet of fireproof material).

If the appliance is to be fitted into a timber framed building, guidance should be sought from the Institute of Gas Engineers document REF: IGE/UP/7.

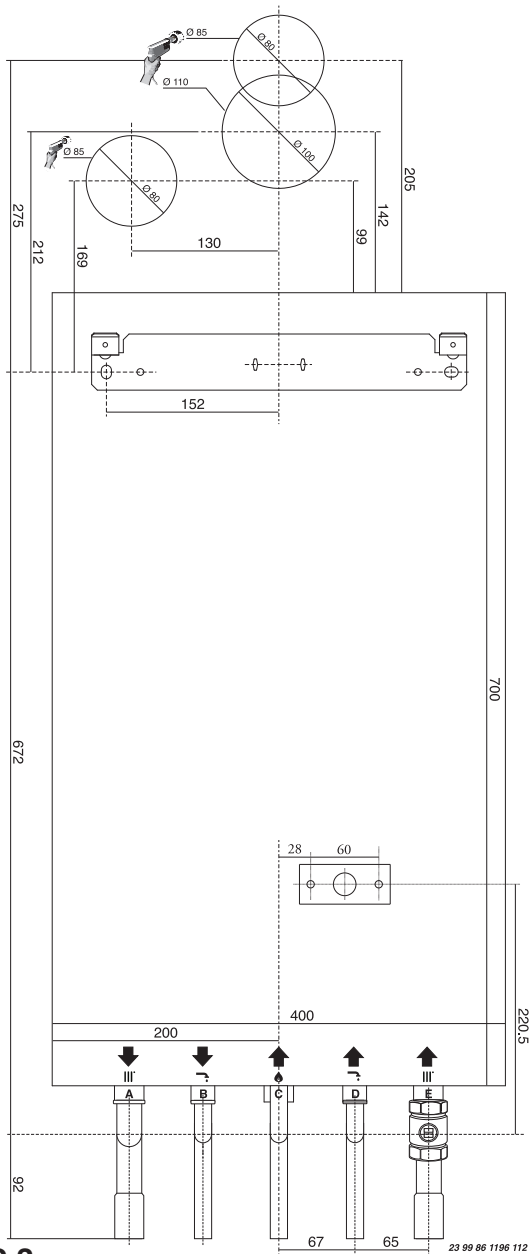


FIG. 2.3

2.5.1. Drill the wall and plug using those supplied with the connections kit, position the hanging bracket and secure with the wall bolts supplied, assemble the connection kit and secure to the wall. **NOTE:** It is highly recommended that a spirit level be used to position the appliance to ensure that it is perfectly level.

2.5.2. Position the appliance on the hanging bracket and connect the connection kit to the boiler connections. (see also Sections 2.7 Gas Connections, 2.8 Water Connections & FIG. 2.3).

2.6 ELECTRICAL CONNECTION

For safety purposes, have a competent person carefully check the electrical system in the property, as the manufacturer will not be held liable for damage caused by the failure to earth the appliance properly or by anomalies in the supply of power. Make sure that the residential electrical system is adequate for the maximum power absorbed by the unit, which is indicated on the rating plate. In addition, check that the section of cabling is appropriate for the power absorbed by the boiler.

The boiler operates with alternating current, as indicated in the Technical Information table in Section 9, where the maximum absorbed power is also indicated. Ensure that the connections for the live, neutral and earth wires correspond with the indications in the diagram (Fig. 2.4). The appliance electrical connections are situated on the PCB, see Section 2.17

IMPORTANT!

In the event that the power supply cord must be changed, replace it with one with the same specifications.

Note: The diagrams for the electrical system are indicated in Section 2.17.

Warning, this appliance must be earthed.

External wiring to the appliance must be carried out by a competent person and be in accordance with the current I.E.E. Regulations and applicable local regulations.

The appliance is supplied with a fly-lead already connected, this must be connected to a 240v supply fused at 3A and must facilitate complete electrical isolation of the appliance, by the use of a fused double pole isolator having a contact separation of at least 3 mm in all poles or alternatively, by **means of a 3 A** fused three pin plug and unswitched, shuttered socket outlet both complying with BS 1363.

The point of connection to the Electricity supply must be readily accessible and adjacent to the appliance unless the appliance is installed in a bathroom when this must be sited outside the bathroom (see Section 2.2).

Should external controls be required, the design of the external electrical circuits should be undertaken by a competent person, see Section 2.13 for further information.

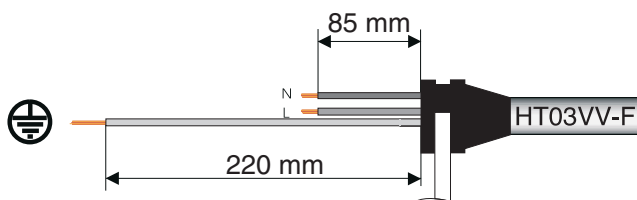


FIG. 2.4

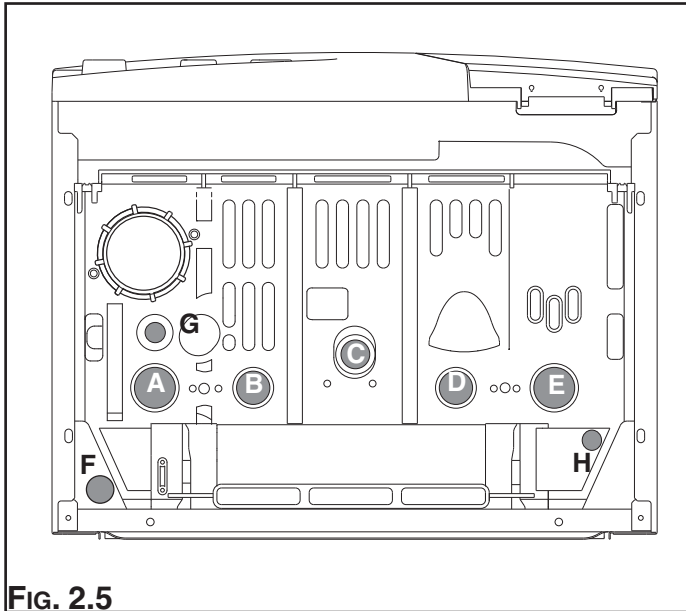
2.7 GAS CONNECTION

The local gas region contractor connects the gas meter to the service pipe.

If the gas supply for the boiler serves other appliances ensure that an adequate supply is available both to the boiler and the other appliances when they are in use at the same time.

Pipe work must be of an adequate size. Pipes of a smaller size than the boiler inlet connection should not be used.

2.8 WATER CONNECTIONS



VIEW OF THE BOILER CONNECTIONS

LEGEND:

- A = Central Heating Flow
- B = Domestic Hot Water Outlet
- C = Gas Inlet
- D = Domestic Cold Water Inlet
- E = Central Heating Return
- F = Condensate discharge
- G = Drain valve
- H = Safety Valve Outlet

CENTRAL HEATING

Detailed recommendations are given in BS 6798:2000 and BS 5449-1:1990, the following notes are given for general guidance.

PIPE WORK:

Copper tubing to BS EN 1057:1996 is recommended for water pipes. Jointing should be either with capillary soldered or compression fittings.

Where possible pipes should have a gradient to ensure air is carried naturally to air release points and water flows naturally to drain taps.

The appliance has a built-in automatic air release valve, however it should be ensured as far as possible that the appliance heat exchanger is not a natural collecting point for air.

Except where providing useful heat, pipes should be insulated to prevent heat loss and avoid freezing.

Particular attention should be paid to pipes passing through ventilated spaces in roofs and under floors.

BY-PASS:

The appliance includes an automatic by-pass valve, which protects the main heat exchanger in case of reduced or interrupted water circulation through the heating system, due to the closing of thermostatic valves or radiators.

SYSTEM DESIGN:

This boiler is suitable only for sealed systems.

DRAIN COCKS:

These must be located in accessible positions to permit the draining of the whole system and should be fitted at all low points. The taps must be at least 15mm nominal size and manufactured in accordance with BS 2870:1980.

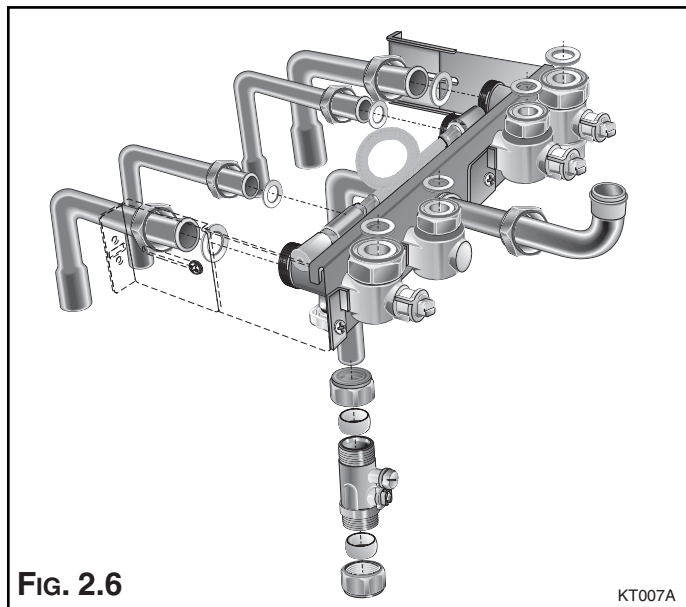


Fig. 2.6

KT007A

SAFETY VALVE DISCHARGE:

The discharge should terminate facing downward on the exterior of the building in a position where discharging (possibly boiling water & steam) will not create danger or nuisance, but in an easily visible position, and not cause damage to electrical components and wiring.

The discharge must not be over an entrance or a window or any other type of public access.

AIR RELEASE POINTS:

These must be fitted at all high points where air naturally collects and must be sited to facilitate complete filling of the system.

The appliance has an integral sealed expansion vessel to accommodate the increase of water volume when the system is heated.

It can accept up to 6 litres (1.3 gal) of expansion water. If the heating circuit has an unusually high water content, calculate the total expansion and add an additional sealed expansion vessel with adequate capacity. This should be located on the return pipe work as close as possible to the pump inlet.

MAINS WATER FEED - CENTRAL HEATING:

A method for initially filling the heating system is supplied with the connection kit. The filling loop is connected between the cold water inlet and the central heating flow connections, and incorporates a non-return valve. To operate the filling loop, it is necessary to open both quarter turn handles, once the required pressure has been achieved, close both handles and disconnect the hose in accordance with water byelaws. NOTE: The installer should ensure that there are no leaks as frequent filling of the heating system can lead to premature scaling of the main exchanger and failure of hydraulic components.

DOMESTIC WATER:

The domestic water must be in accordance with the relevant recommendation of BS 5546:1990. Copper tubing to BS EN 1057:1996 is recommended for water carrying pipe work and must be used for pipe work carrying drinking water, a scale reducer should also be used to reduce the risk of scale forming in the domestic side of the heat exchanger.

WATER TREATMENT

The boiler is equipped with a secondary heat exchanger (recuperator) made from stainless steel as well as the copper main heat exchanger.

The detailed recommendations for water treatment are given in BS 7593:1992 (Treatment of water in domestic hot water central heating systems); the following notes are given for general guidance;

- If the boiler is installed on an existing system, any unsuitable additives must be removed;
- Under no circumstances should the boiler be fired before the system has been thoroughly flushed; the flushing procedure must be in line with BS7593:1992. We highly recommend the use of a flushing detergent appropriate for the metals used in the circuit. These include cleansers produced by Fernox and BetzDearborn, whose function is to dissolve any foreign matter that may be in the system; In hard water areas or where large quantities of water are in the system the treatment of the water to prevent premature scaling of the main heat exchanger is necessary.

The formation of scale strongly compromises the efficiency of the thermic exchange because small areas of scale cause a high increase of the temperature of the metallic walls and therefore add to the thermal stress of the heat exchanger. Demineralised water is more aggressive so in this

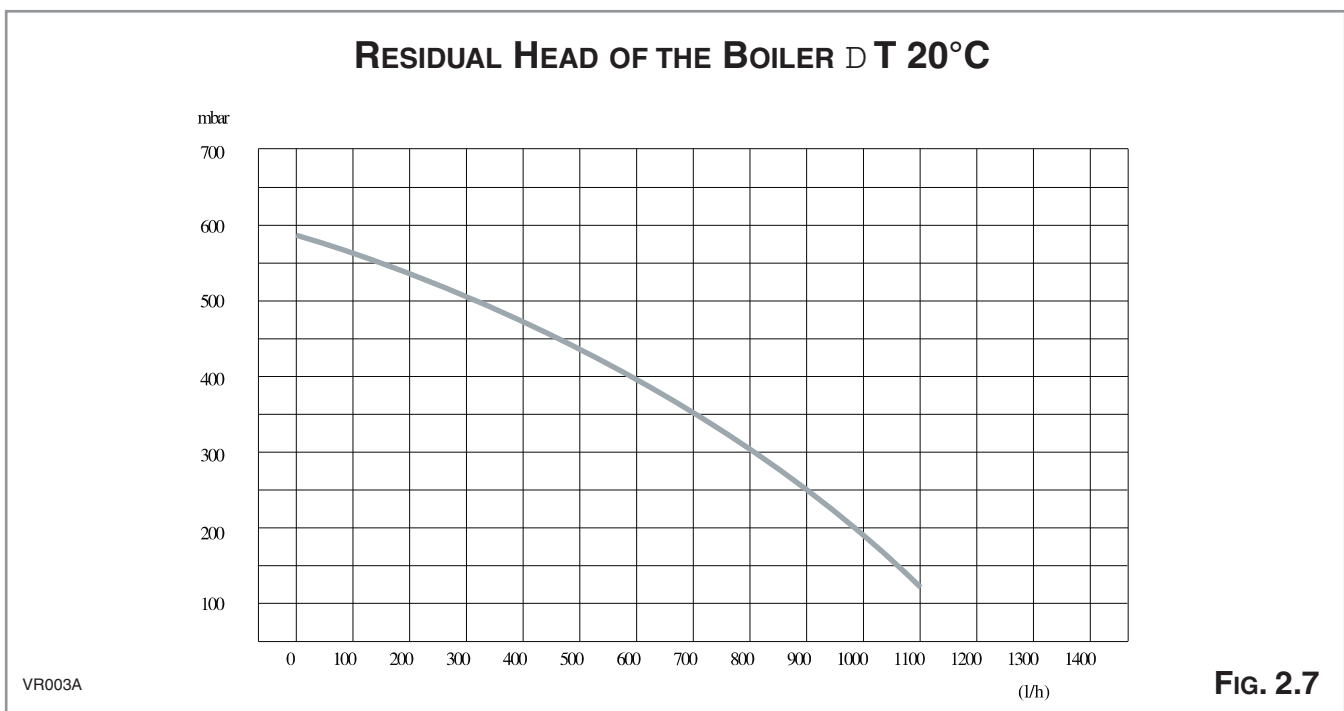


FIG. 2.7

VR003A

situation it is necessary to treat the water with an appropriate corrosion inhibitor.

- Any treatment of water by additives in the system for frost protection or for corrosion inhibition has to be absolutely suitable for all the metals used in the circuit. The use of a corrosion inhibitor in the system such as Fernox MB-1, BetzDeaborn Sentinel X100 or Fernox System Inhibitor is recommended to prevent corrosion (sludge) damaging the boiler and systems;
- If anti-freeze substances are to be used in the system, check carefully that they are compatible with the metals used in the circuit.

MTS suggests the use of suitable anti-freeze products such as Fernox ALPHI 11, which will prevent rust and incrustation taking place.

Periodically check the pH of the water/anti-freeze mixture of the boiler circuit and replace it when the amount measured is out of the range stipulated by the manufacturer ($7 < \text{pH} < 8$).

DO NOT MIX DIFFERENT TYPES OF ANTI-FREEZE

- In under-floor systems, the use of plastic pipes without protection against penetration of oxygen through the walls can cause corrosion of the systems metal parts (metal piping, boiler, etc), through the formation of oxides and bacterial agents.

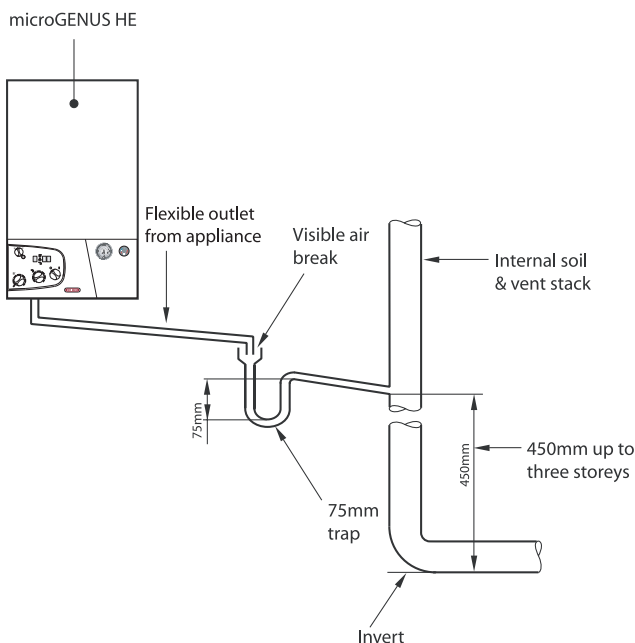
To prevent this problem, it is necessary to use pipes with an “oxygen-proof barrier”, in accordance with standards DIN 4726/4729. **If pipes of this kind are not used, keep the system separate by installing heat exchangers of those with a specific system water treatment.**

IMPORTANT

Failure to carry out the water treatment procedure will invalidate the appliance warranty.

2.8.1 CONDENSATE REMOVAL

1. Internal termination of condensate drainage pipe to internal stack



CONDENSATE DISCHARGE:

A flexible hose connected to the bottom of the boiler should be inserted into a tundish (not supplied).

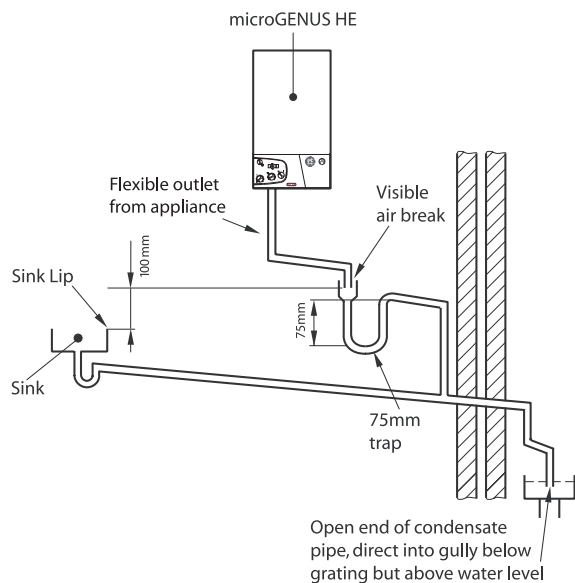
NOTE: IT MAY BE NECESSARY TO REMOVE THE CASING TO PULL THE CONDENSATE HOSE OUT OF THE BOTTOM OF THE BOILER.

The condensate discharge hose from the boiler must have a continuous fall of at least 2.5° and must be connected to a visible tundish and inserted by at least 50mm into a suitable acid resistant pipe with a nominal diameter of 32mm e.g. plastic waste pipe or overflow pipe. The condensate discharge pipe must have a continuous fall and preferably be installed and terminated within the building to prevent freezing.

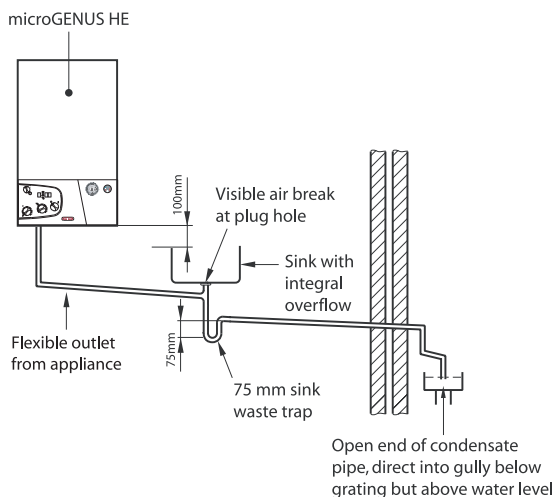
The discharge pipe must be terminated in one of the following positions, allowing for a safe discharge:

- i) Connecting in to an internal soil stack (at least 450 mm above the invert of the stack). A trap giving a water seal of at least 75 mm must be incorporated into the pipe run, there also must be an air break upstream of the trap i.e. tundish.

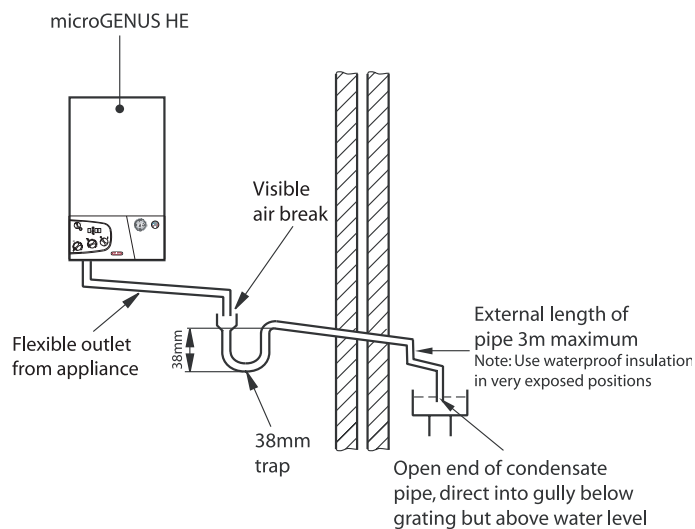
2. External termination of condensate drainage pipe via internal discharge branch (e.g. sink waste) and condensate siphon



3. External termination of condensate drainage pipe via internal discharge branch (e.g. sink waste - proprietary fitting).



4. External termination of condensate drainage pipe via condensate siphon



- ii) Connecting into the waste system of the building such as a washing machine or sink trap. The connection must be upstream of the washing machine/sink (If the connection is down stream of the waste trap then an additional trap giving a minimum water seal of 75 mm and an air break must be incorporated in the pipe run, as above.

- iii) Terminating into a gully, below the grid level but above the water level.
iv) Into a soakway.

NOTE: If any condensate pipe work is to be installed externally, then it should be kept to a minimum and be insulated with a waterproof insulation and have a continuous fall.

Some examples of the type of condensate drains can be found in this section.

2.9. CONNECTING THE FLUE

IMPORTANT!!

BEFORE CONNECTING THE FLUE, ENSURE THAT 1 LITRE OF WATER HAS BEEN POURED INTO THE EXHAUST CONNECTION TO FILL THE CONDENSATE TRAP (FIG.2.8). SHOULD THE TRAP BE EMPTY THERE IS A TEMPORARY RISK OF FLUE GASSES ESCAPING INTO THE ROOM.

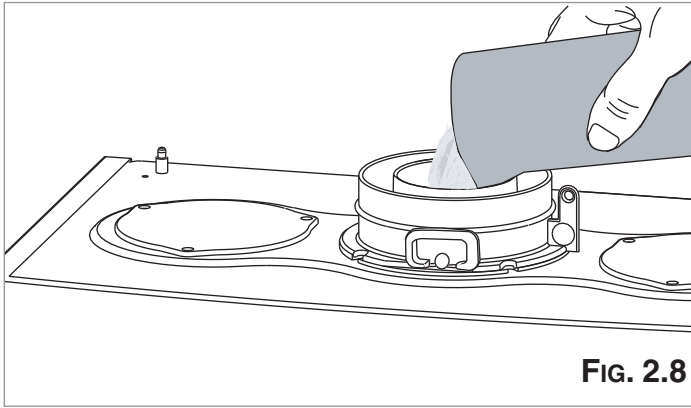


FIG. 2.8

FLUE SYSTEM

The provision for satisfactory flue termination must be made as described in BS 5440-1.

The appliance must be installed so that the flue terminal is exposed to outdoor air.

The terminal must not discharge into another room or space such as an outhouse or lean-to.

It is important that the position of the terminal allows a free passage of air across it at all times.

The terminal should be located with due regard for the damage or discolouration that might occur on buildings in the vicinity, it must also be located in a place not likely to cause nuisance.

In cold or humid weather water vapour may condense on leaving the flue terminal.

The effect of such "steaming" must be considered.

If the terminal is 2.1 metres above a balcony, above ground or above a flat roof to which people have access, then a suitable stainless steel terminal guard must be fitted.

The minimum acceptable spacing from the terminal to obstructions and ventilation openings are specified in Fig. 2.9.

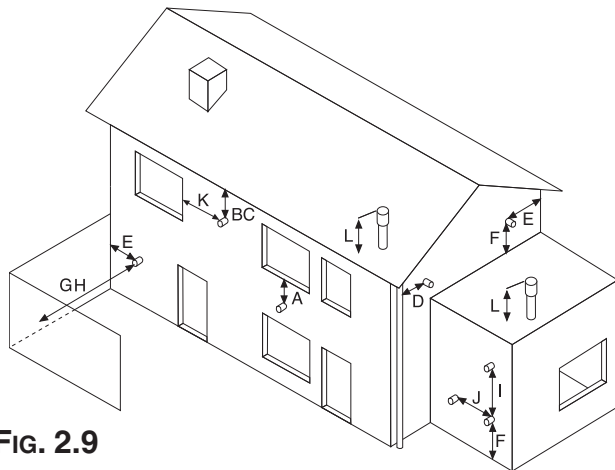


FIG. 2.9

TERMINAL POSITION

mm

A - Directly below an open window or other opening	300
B - Below gutters, solid pipes or drain pipes	75
C - Below eaves	200
D - From vertical drain pipes and soil pipes	75
E - From internal or external corners	300
F - Above ground on a public walkway or patio	2100
G - From a surface facing a terminal	2500
H - From a terminal facing a terminal	2500
I - Vertically from a terminal in the same wall	1500
J - Horizontally from a terminal in the same wall	300
K - Horizontally from an opening window	300
L - Fixed by vertical flue terminal	

Ø 60/100 mm

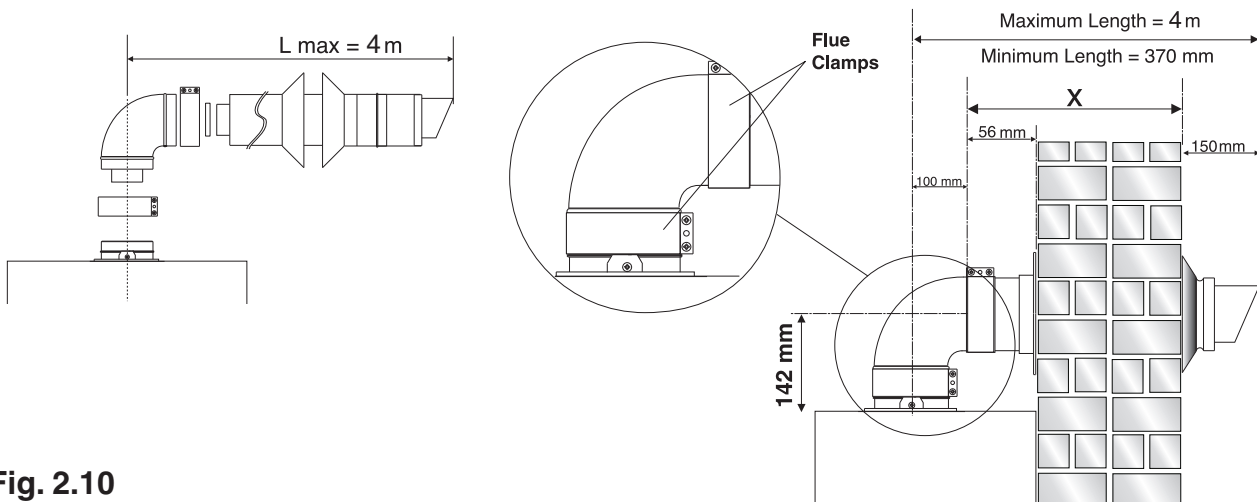


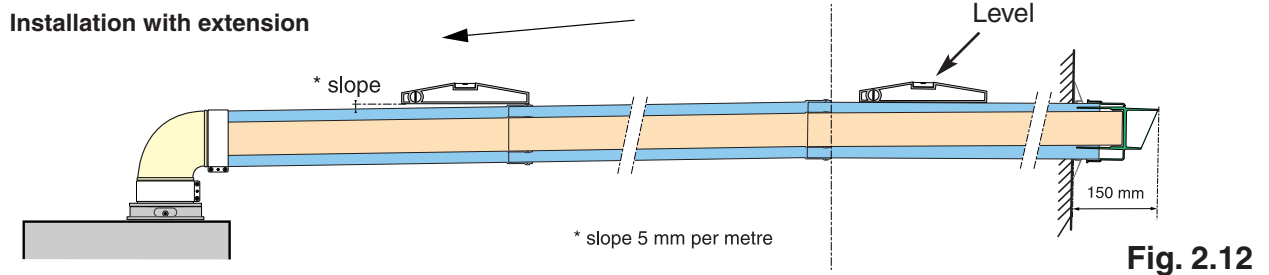
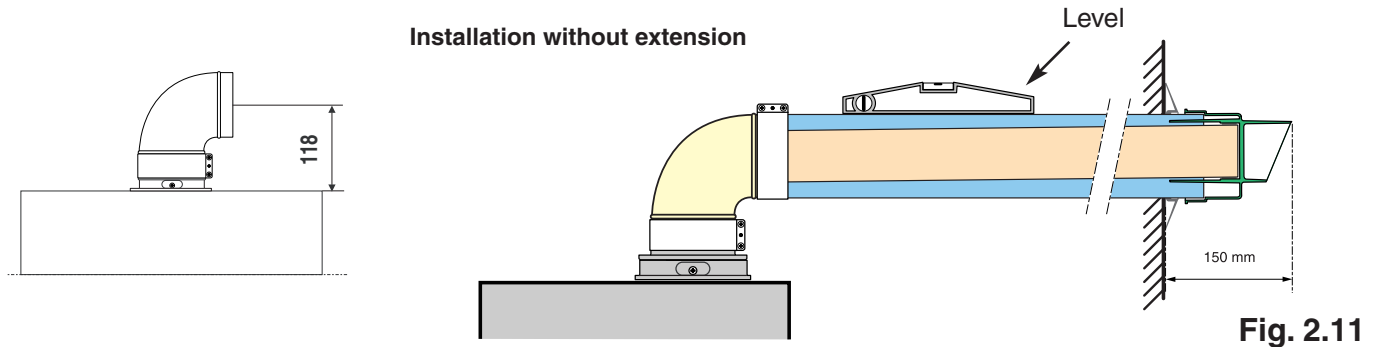
Fig. 2.10

Warning

The exhaust gas ducts must not be in contact with or close to inflammable material and must not pass through building structures or walls made of inflammable material. When replacing an old appliance, the flue system must be changed.

Important

Ensure that the flue is not blocked. Ensure that the flue is supported and assembled in accordance with these instructions.



2.9.1 FITTING THE COAXIAL FLUE (Ø 60 / 100 HORIZONTAL)

SEE PAGE 19 FOR MAX AND MIN FLUE RUNS

PART NO: 3318073

CONTENTS:

- 1x SILICONE O-RING (60mm)
- 1x ELBOW (90°)
- 2x WALL SEALS (INTERNAL & EXTERNAL)
- 1x FLUE PIPE INCLUDING TERMINAL (1 METRE - 60/100)
- 2x FLUE CLAMPS
- 4x SCREWS
- 2x Seals

Once the boiler has been positioned on the wall, insert the elbow into the socket and rotate to the required position. NOTE: It is possible to rotate the elbow 360° on its vertical axis.

Using the flue clamps, seals and screws supplied (**Fig 2.13**) secure the elbow to the boiler.

The 1 metre horizontal flue kit (3318073) supplied is suitable for an exact **X dimension** of 823mm.

Measure the distance from the face of the external wall to the face of the flue elbow (**X - Fig 2.10**), this figure must now be subtracted from 815mm, you now have the total amount to be cut from the plain end of the flue.

Draw a circle around the outer flue and cut the flue to the required length taking care not to cut the inner flue, next cut the inner flue ensuring that the length between the inner and outer flue is maintained. (**Fig 2.13**).

e.g.

$$X = 555\text{mm}$$

$$823 - 555 = 268\text{mm (Length to be cut from the plain end of the flue).}$$

Once cut to the required length, ensure that the flue is free from burrs and reassemble the flue. If fitting the flue from inside of the building attach the grey outer wall seal to the flue terminal and push the flue through the hole, once the wall seal has passed through the hole, pull the flue back into the elbow (ensuring that the flue seal is not dislodged) until the external wall seal is flush with the wall, and that the flue is securely located into the elbow, finally secure the flue to the elbow with the clamp provided. Alternatively, the flue can be installed from outside of the building, the grey outer seal being fitted last.

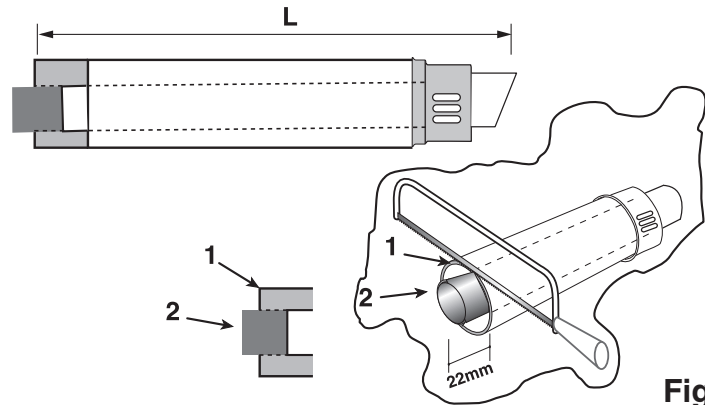
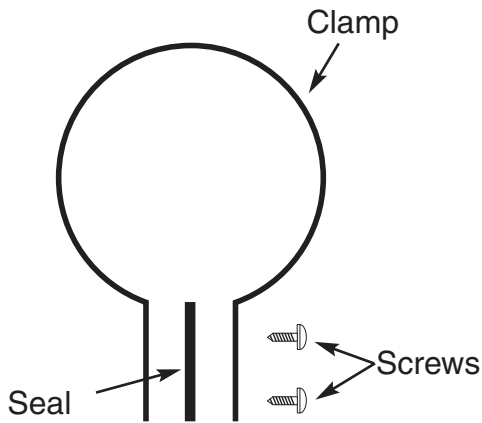


Fig. 2.13

2.9.2 FITTING THE 5" FLUE (Ø 80 / 125 HORIZONTAL/VERTICAL)

SEE PAGE 19 FOR MAX AND MIN FLUE RUNS

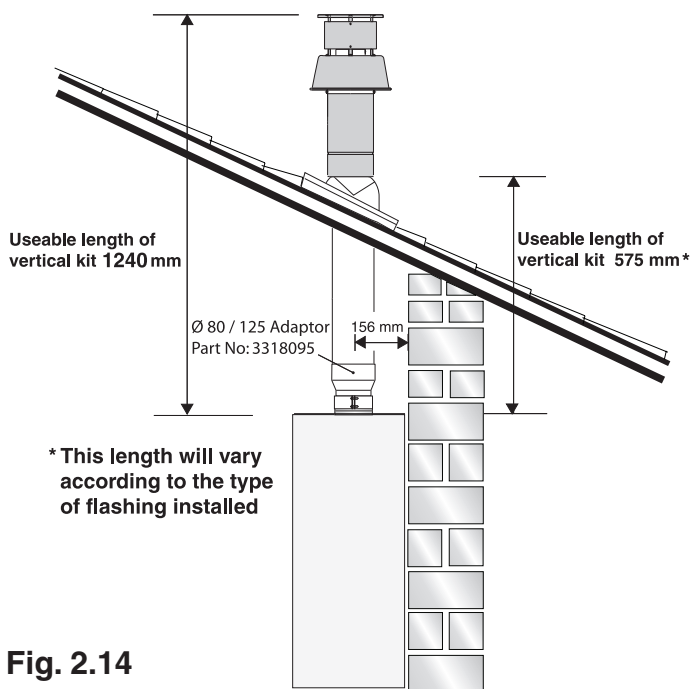


Fig. 2.14

CONTENTS:

HORIZONTAL KIT - 3318095

- 3x SILICONE O-RINGS (60mm, 80mm & 125mm)
- 1x 90° ELBOW (HORIZONTAL ONLY)
- 1x ADAPTOR (60/100 - 80/125MM)
- 1x HORIZONTAL FLUE PIPE (INCLUDING TERMINAL) (80/125mm)
- 2x WALL SEALS (INTERNAL & EXTERNAL)
- 2x FLUE CLAMPS
- 2x SEALS
- 4x SCREWS

VERTICAL KIT - 3318080 (BLACK) / 3318081 (RED)

- 1x VERTICAL FLUE PIPE (INCL. TERMINAL) (80/125MM)
- 1x ADAPTOR (60/100 - 80/125)
- 1x SILICONE O-RING (60MM)

Should the flue require extending, the flue connections are push fit, however, one flue bracket should be used to secure each metre of flue.

Once the boiler has been positioned on the wall, it is necessary to insert the Ø80/125 adaptor (Fig. 2.14) raised horizontal and vertical flue runs into the boiler flue socket (not supplied with flue kit - Part No 3318095).

Push the adaptor onto the boilers flue connection, grease the seals then add extensions or elbows as required, secure the adaptor, using the clamp and screws provided.

To fit extensions or elbows it is first necessary to ensure that the lip seal is fitted correctly into the inner flue, once verified, it is simply necessary to push them together, no

clamps are necessary to secure the flue components. Before proceeding to fit the flue, ensure that the maximum flue length has not been exceeded (See the tables on Page 19) and that all elbows and bends have been taken into consideration, the maximum flue length is 10 metres, for each additional 90° elbow 1 metre must be subtracted from the total flue length, and for each 45° 0.5 metres must be subtracted from the total flue length (**the height of the vertical adaptor and a 45° bend can be seen in Fig. 2.15 and a 90° bend (raised horizontal only) in Fig. 2.16.**)

NOTE: **DO NOT** CUT THE VERTICAL FLUE KIT.

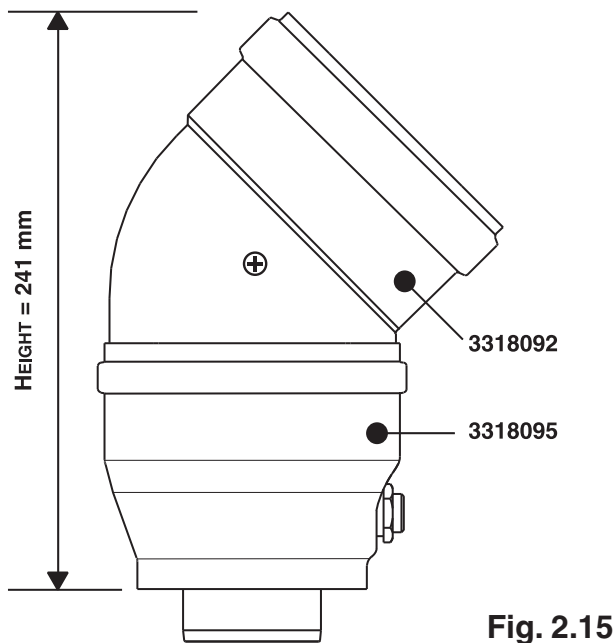


Fig. 2.15

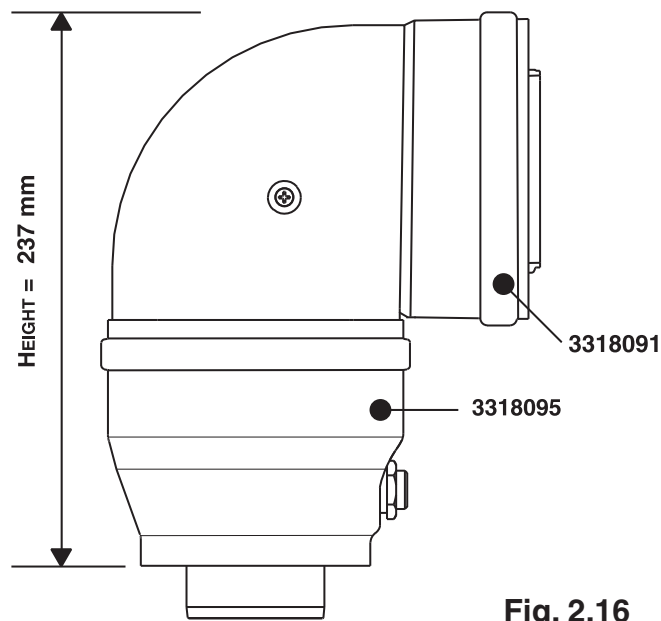


Fig. 2.16

NOTE: SEE PAGE 19 FOR MAXIMUM AND MINIMUM FLUE RUNS.

PART No: 33108080 (BLACK) / 3318081 (RED)

CONTENTS:

- 1x SILICONE O-RING (60mm)**
- 1x CONICAL ADAPTOR (60/100mm)**
- 1x VERTICAL FLUE KIT (80/125mm)**

The vertical flue kit is supplied with a specially designed weather proof terminal fitted, it can be used either with a flat roof or a pitched roof.

The Vertical flue kits useable lengths with the pitched roof flashings are indicated in Fig. 2.17.

Before proceeding to fit the flue, ensure that the maximum flue length has not been exceeded (See the tables on Page 19) and that all elbows and bends have been taken into consideration, the maximum flue length is 4 metres, for each additional 90° elbow 1 metre must be subtracted from the total flue length, and for each 45° 0.5 metres must be subtracted from the total flue length (**the height of the vertical adaptor and a 45° bend can be seen in Fig. 2.18).** Mark the position of the flue hole in the ceiling and/or

2.9.3. FITTING THE COAXIAL FLUE (Ø 60 / 100 VERTICAL)

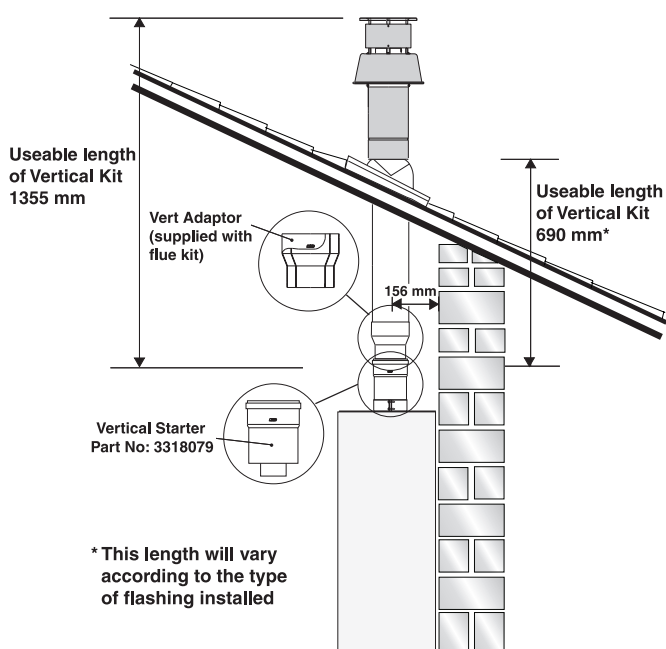


Fig. 2.17

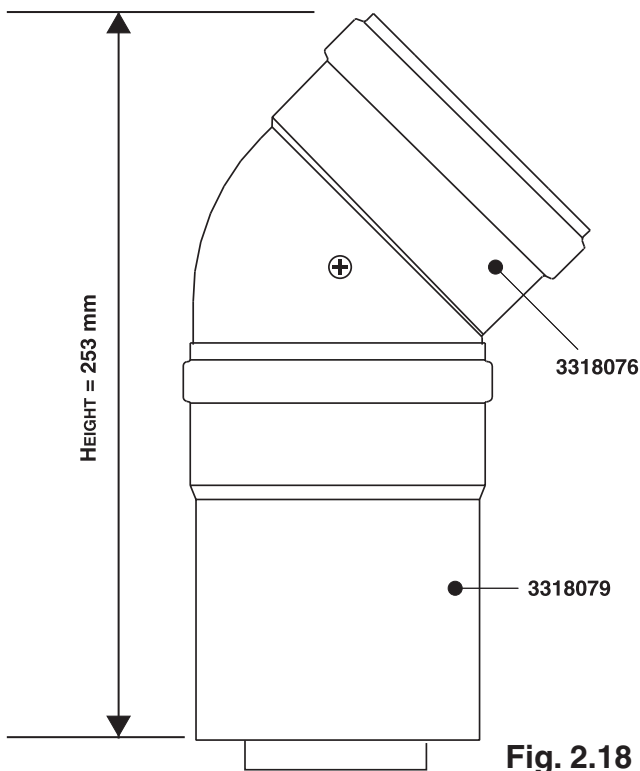


Fig. 2.18

roof (see **Fig. 2.16** for distance from the wall to the centre of the flue).

Cut a 120mm diameter hole through the ceiling and/or roof and fit the flashing plate to the roof.

DO NOT cut the vertical flue kit.

To connect the vertical flue kit directly to the boiler, place the vertical starter kit (**Part No. 3318079**) (see **Fig. 2.17**) onto the exhaust manifold and secure with the clamp, fit the vertical adaptor onto the vertical starter kit (note: there is no need to use a clamp to secure this as it is a push fit connection), the vertical flue kit must then be inserted through the roof flashing, this will ensure that the correct clearance above the roof is provided as the terminal is a fixed height.

Should extensions be required, they are available in 1 metre (**Part No. 3318077**), 500mm (**Part No. 3318078**) and 160mm lengths, they must be connected directly to the vertical starter kit before connecting the adaptor to allow the vertical flue kit to be fitted. In the event that extension pieces need to be shortened, they ***must*** only be cut at the male end and it must be ensured that the inner and outer flue remain flush.

When utilising the vertical flue system, action must be taken to ensure that the flue is supported adequately to prevent the weight being transferred to the appliance flue connection by using 1 flue bracket per extension.

When the flue passes through a ceiling or wooden floor, there must be an air gap of 25mm between any part of the flue system and any combustible material. The use of a ceiling plate will facilitate this. Also when the flue passes from one room to another a fire stop must be fitted to prevent the passage of smoke or fire, irrespective of the structural material through which the flue passes.

2.9.4. FITTING THE TWIN PIPE (Ø80 / 80)

NOTE: SEE PAGE 19 FOR MAXIMUM AND MINIMUM FLUE RUNS.

Where it is not possible to terminate the flue within the distance permitted for coaxial flues, the twin flue pipe can be used by fitting a special adaptor to the flue connector and using the aperture for the air intake located on top of the combustion chamber.

Always ensure that the flue is adequately supported, using one flue bracket per extension and avoiding low points. (MTS supply suitable clamps as Part No. 705778).

To utilise the exhaust manifold it is necessary to connect the adaptor (**Part No: 3318017**) to the exhaust manifold and secure with the clamp (see **Fig. 2.18A**), add elbows or extensions as required.

To utilise the air intake it is necessary to:

Remove the 'knockout' of the air intake by cutting it with a suitable knife (**Fig. 2.18B**).

Insert the elbow/flue pipe into the air intake until it stops.

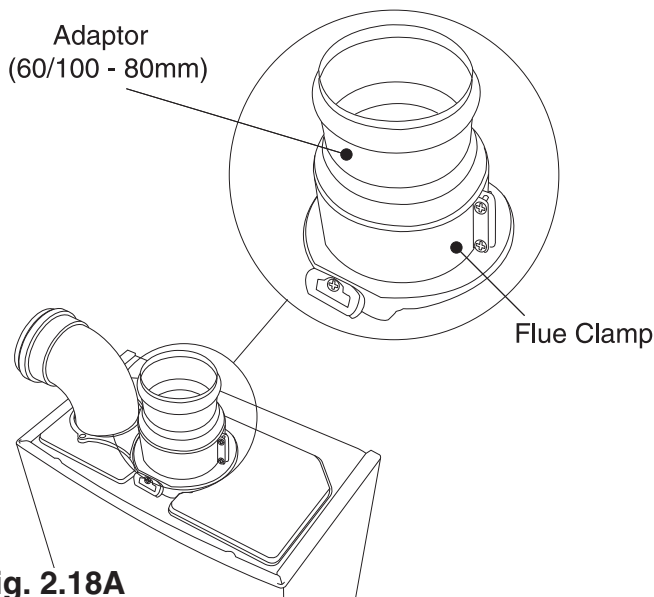


Fig. 2.18A

The twin flue pipes can be fitted with or without additional elbows and need no clamps, simply ensure that the red o-ring is inserted in the female end of the flue pipe and push the extension piece fully into the previous section of flue pipe or elbow, check that the o-ring is not dislodged when assembling the flue.

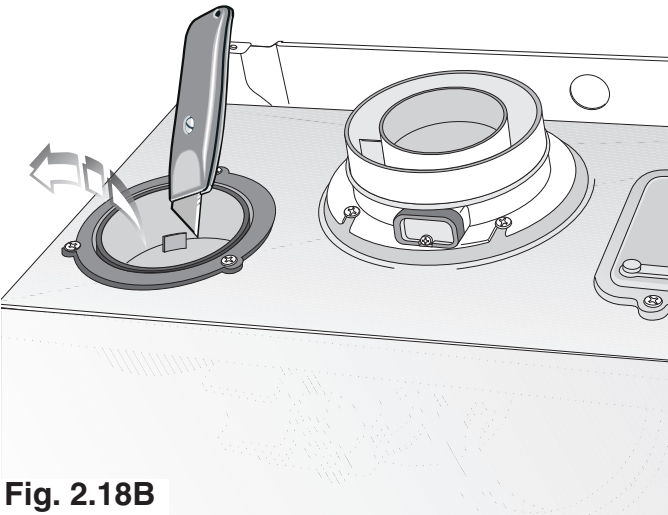


Fig. 2.18B

The twin flue pipes can be fitted with or without additional elbows and need no clamps, simply ensure that the red o-ring is inserted in the female end of the flue pipe and push the extension piece fully into the previous section of flue pipe or elbow, check that the o-ring is not dislodged when assembling the flue (greasing the seal will aid assembly).

Twin pipe can also be converted back to Coaxial flue to enable vertical termination with a coaxial kit by using the pipe bridge (Twin - Coaxial Adaptor - Part No. 3318089). When running the twin flue pipe vertically.

It is not possible to terminate concentrically horizontally. Termination is only possible with separate air and exhaust terminals.

When siting the twin flue pipe, the air intake and exhaust terminals must terminate on the same wall, the centres of the terminals **must** be a minimum of 280 mm apart and the air intake **must** not be sited above the exhaust terminal (refer to Fig. 2.22). The air intake pipe can be run horizontally, however, the terminal and the final 1 metre of flue must be installed either horizontally or with a slight fall away from the boiler to avoid rain ingress.

It is also strongly recommended that the air intake pipe run be constructed of insulated pipe to prevent condense forming on the outside of the tube.

The maximum permissible flue length for twin flue is dependent on the type of run used.

For flue runs with the intake and exhaust pipes under the same atmospheric conditions (TYPE 4) the maximum length is 40 metres, for runs with the terminals under different atmospheric conditions (TYPE 5) the exhaust terminal **must** extend 0.5 metres above the ridge of the roof (this is not obligatory if the exhaust and air intake pipes are located on the same side of the building). For TYPE 5 also, the maximum permissible combined length is 40 metres.

The maximum length is reached by combining the total lengths of both the air intake and exhaust pipes. Therefore a maximum length of 40 metres for example, will allow a flue run of 20 metres for the air intake and 20 metres for the exhaust pipes, also for each 90° elbow 2.2 metres must be subtracted from the total length and for each 45° elbow 1.4 metres must be subtracted from the total flue length.

Some of the acceptable flue configurations are detailed on page 20.

For further information relating to flue runs not illustrated, please contact the Technical Department on 0870 241 8180.

In the event that the air intake and exhaust are run to the left, it will be necessary to reduce the height of the air intake by cutting 20mm from the base of the air intake elbow (see Fig. 2.19)

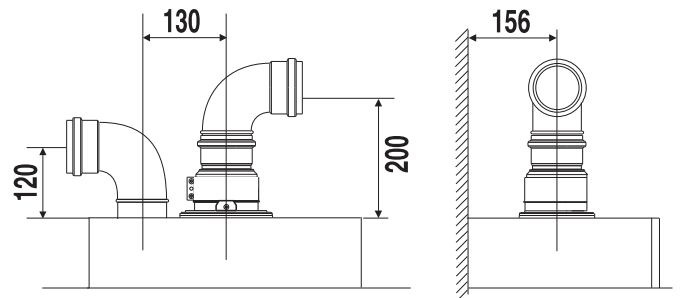
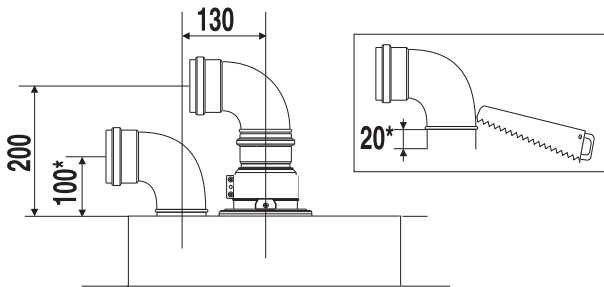


Fig. 2.19

In the event that twin flue pipes are used, and the boiler has a side clearance of less than 60mm from the wall, it is necessary to cut a larger diameter hole for the flue pipe, this should be $\varnothing 10$ cm, this will then allow for easier assembly of the air intake elbow and the tube outside the wall (see Fig. 2.20).

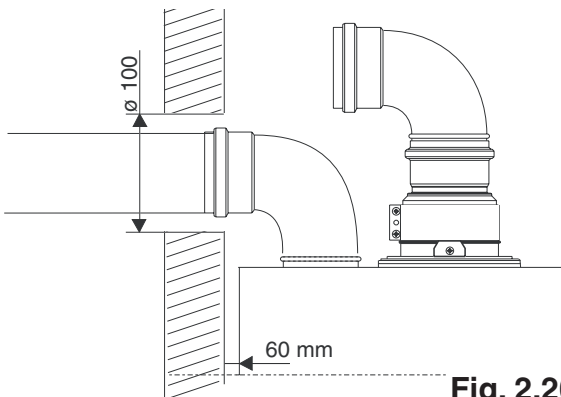


Fig. 2.20

For coaxial systems, the maximum development value, mentioned in the table below also takes into account an elbow.

For twin flue systems the maximum development value, mentioned in the table includes the exhaust gas/air intake terminal.

Type 5 outlets should respect the following instructions:

- 1- Use the same $\varnothing 80$ mm flue pipes for the air intakes and exhaust gas ducts.
- 2- If you need to insert elbows in the air intake and exhaust gas ducts, you should consider for each one the equivalent length to be included in the calculation of developed length.
- 3- The exhaust gas duct should jut above the roof by at least 0.5 m.
- 4- The intake and exhaust gas ducts in Type 5 must be installed on the same wall, or where the exhaust is vertical and the air intake horizontal, the terminals must be on the same side of the building.

The flue restrictor is factory fitted in the exhaust manifold on the boiler. Please refer to the table on page 19 to determine whether it will be necessary to remove it.

To remove the restrictor it is simply necessary to lift the restrictor from the exhaust manifold (Fig. 2.20A)

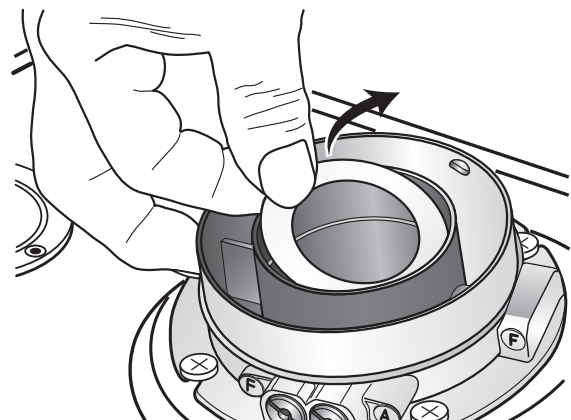


Fig. 2.20A

24 MFFI	Exhaust Type	Do not remove the ø 40 mm Restrictor	Remove the Restrictor (Fig.2.20A)	Maximum Flue Length	Length Reduction 45° elbow (m)	Length Reduction 90° elbow (m)
Coaxial Systems ø 60/100	Type 1	Between 500 mm - 1 m	Between 1 m - 4 m	4 m	0.5 m	1.0 m
	Type 2					
	Type 3					
Coaxial Systems ø 80/125	Type 1	TBC	TBC	10 m	TBC	TBC
	Type 2					
	Type 3					
Twin Pipe Systems ø 80/80	Type 4	Between 1m - 10 m	Between 10 m - 40 m	40 m	1.4 m	2.2 m
	Type 5	Between 1m - 10 m	Between 10 m - 40 m	40 m	1.4 m	2.2 m
28 MFFI	Exhaust Type	Do not remove the ø 41 mm Restrictor	Remove the Restrictor (Fig.2.20A)	Maximum Flue Length	Length Reduction 45° elbow (m)	Length Reduction 90° elbow (m)
Coaxial Systems ø 60/100	Type 1	Between 500 mm - 1 m	Between 1 m - 4 m	4 m	0.5 m	1.0 m
	Type 2					
	Type 3					
Coaxial Systems ø 80/125	Type 1	TBC	TBC	10 m	TBC	TBC
	Type 2					
	Type 3					
Twin Pipe Systems ø 80/80	Type 4	Between 1m - 10 m	Between 10 m - 40 m	40 m	1.4 m	2.2 m
	Type 5	Between 1m - 10 m	Between 10 m - 40 m	40 m	1.4 m	2.2 m
32 MFFI	Exhaust Type	Do not remove the ø 43 mm Restrictor	Remove the Restrictor (Fig.2.20A)	Maximum Flue Length	Length Reduction 45° elbow (m)	Length Reduction 90° elbow (m)
Coaxial Systems ø 60/100	Type 1	Between 500 mm - 1 m	Between 1 m - 4 m	4 m	0.5 m	1.0 m
	Type 2					
	Type 3					
Coaxial Systems ø 80/125	Type 1	TBC	TBC	10 m	TBC	TBC
	Type 2					
	Type 3					
Twin Pipe Systems ø 80/80	Type 4	Between 1m - 10 m	Between 10 m - 40 m	40 m	1.4 m	2.2 m
	Type 5	Between 1m - 10 m	Between 10 m - 40 m	40 m	1.4 m	2.2 m

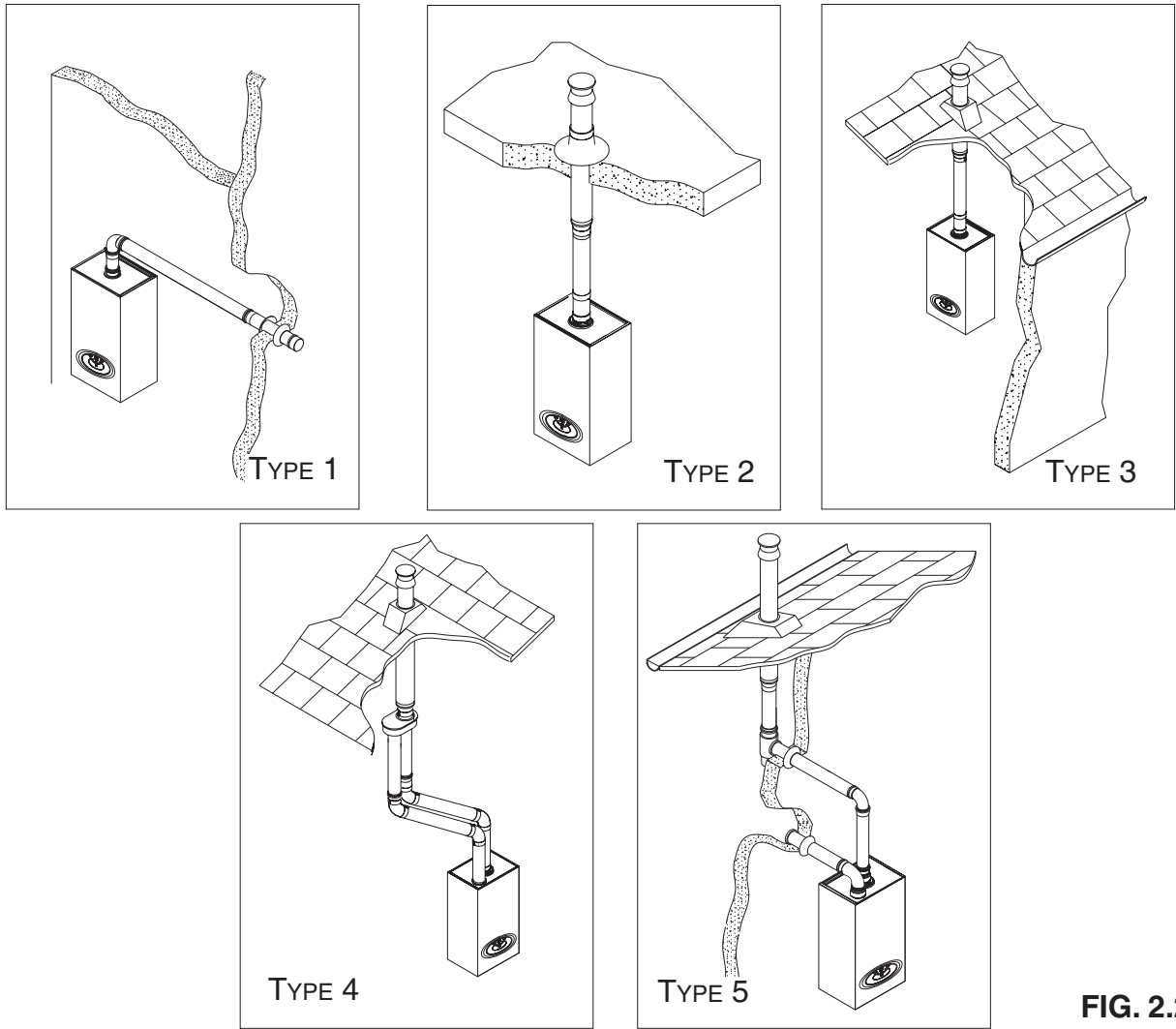
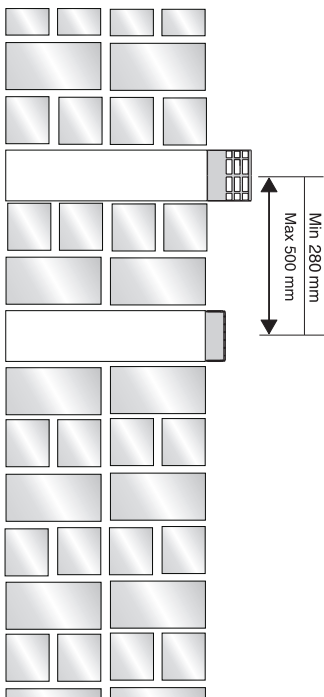


FIG. 2.21

NOTE: DRAWINGS ARE INDICATIVE OF FLUEING OPTIONS ONLY.



AIR INTAKE MUST NOT BE FITTED ABOVE THE EXHAUST

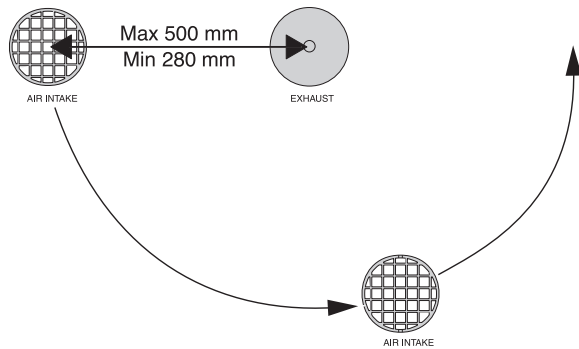


Fig. 2.22

2.10 CONTROL PANEL

LEGEND:

- A - On/Off Button
- B - Domestic Hot Water Temperature Adjustment
- C - Central Heating Temperature Adjustment
- D - Reset Button/Flue Test analysis mode*
- E - Comfort Mode Selector
- F - Summer Mode LED (Green)
- G - Ignition/Overheat Lockout LED (Red)
- H - Central Heating (Winter Mode) LED (Green)
- I - Digital Display (Fault Code/Water Temperature)
- J - Time Clock
- K - Central Heating System Pressure Gauge

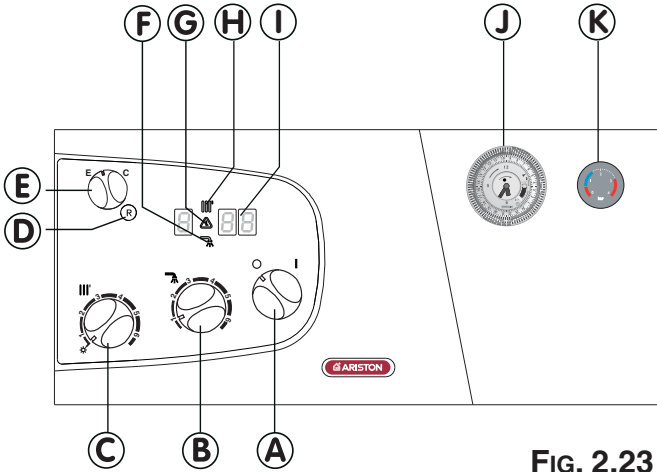


FIG. 2.23

FR020A

* Warning the flue analysis mode must only be selected by a qualified service engineer. See Section 3.4 for further instructions

2.11 DIGITAL DISPLAY AND FAULT CODES

The Control Panel has a 3 digit display, during normal operation the display will show one of six things on the two right hand digits;

During Stand-by (no demand for Central Heating or D.H.W.) '00' will be shown on the display and no LEDs will light.

During a demand for Domestic Hot Water, the temperature of the outgoing hot water is displayed in °C (e.g. 38) and the summer mode LED will light (F - FIG. 2.23).

During a demand for Central Heating, the temperature of the central heating flow will be displayed in °C (e.g. 55) and the central heating mode LED will light (H - FIG. 2.23).

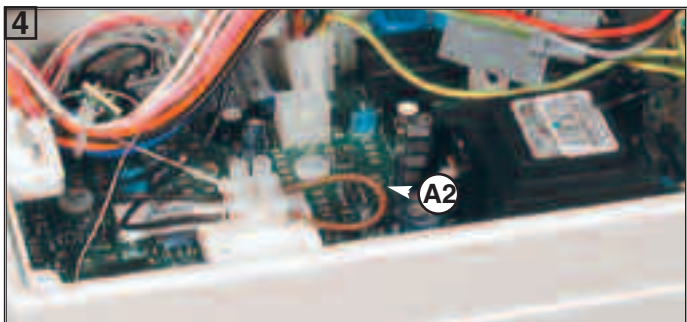
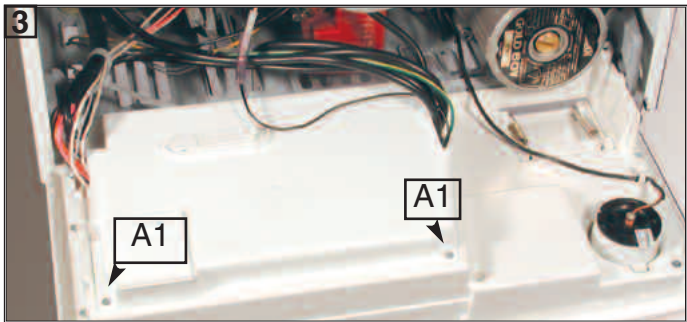
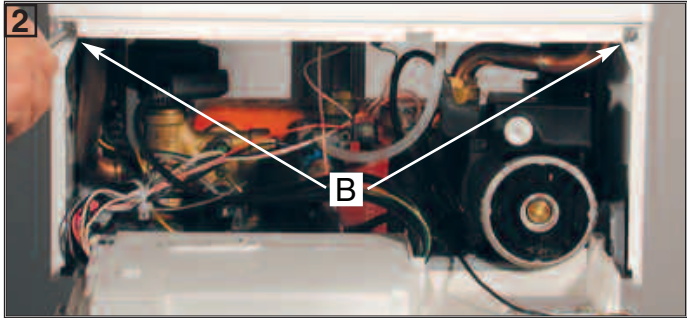
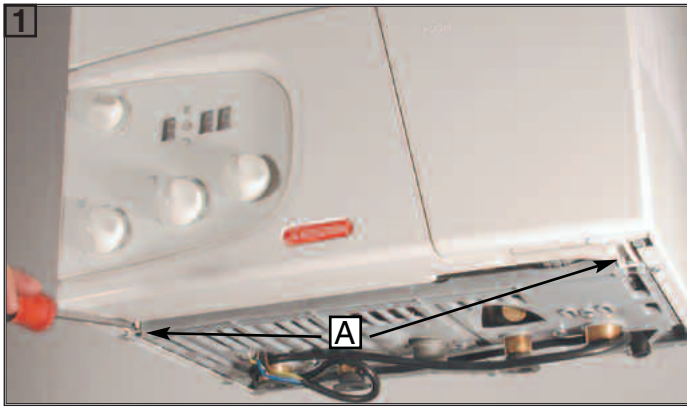
During the operation of the flue analysis mode* the display will show 'sc'.

Should a fault occur the display will show the fault code and one of two letters, for a non-volatile shutdown the letter 'R' will be shown followed by the two digit code for the fault eg. 'R02' and the red LED (G - FIG. 2.23) will light, a non-volatile shutdown will require the reset button (D - FIG. 2.23) to be pressed once before the boiler will attempt to relight, should the boiler lockout again, the assistance of an Authorised Service Engineer should be sought.

Should the boiler develop a fault that cannot be corrected by resetting the boiler, the letter 'E' will be displayed followed by a two digit code (e.g. E33) indicating a volatile shutdown code, in the event of such a shutdown, the boiler will automatically resume operation once the cause behind it is resolved. Should it not, the assistance of an Authorised Service Engineer would be required.

A list of the fault codes can be found opposite.

DISPLAY	CAUSE
R 01	No flame after safety time (7 seconds)
R 03	The heating flow temperature exceeds 103°C during operation
R 77	Condensate Trap full of water Condensate sensor short circuited Condensate sensor in open circuit
R 75	Problem with the flue stat
R 97	Problem with the electronic monitoring
R 98	Problem with the electronic monitoring
R 99	Problem with the electronic monitoring
E 02	Insufficient water pressure
E 04	Domestic hot water temperature probe in open circuit
E 05	Domestic hot water temperature probe short circuited
E 06	Heating flow temperature probe in open circuit
E 07	Heating flow temperature probe short circuited
E 08	Heating return temperature probe in open circuit
E 09	Heating return temperature probe short circuited
E 20	Flame detected with gas valve closed
E 21	Error in the electrical connection (live and neutral crossed)
E 33	The air pressure switch is closed before the ignition sequence has begun
E 34	The air pressure switch does not close when the fan runs
E 99	More than 5 RESETS of the boiler in 15 minutes.



2.12 REMOVING THE FRONT PANEL

In order to access the inside of the boiler, it is necessary to unscrew the fastening screws “A” of the control panel located on the lower part of the panel itself.

The control panel moves downward and when pulled forward rotates on two lateral hinges.

The panel stays in a horizontal position, which allows access to the inner parts of the boiler.

To dismantle the front casing panel it is necessary to:

- 1 - Remove the two screws “B”;
- 2 - Move the front casing panel up and lift forward.

2.13 ROOM THERMOSTAT / REMOTE CLOCK CONNECTION

To connect a room thermostat, it is necessary to:

1. - Open the control panel as indicated in SECTION 2.12.
- 2.- Remove the screws “A1” from the reverse of the control panel (picture 3).
3. - Insert the thermostat cable through the cable grommet and fasten it by means of the cable-clamp provided.
4. - Connect the thermostat wires to the terminal block **A2 (Picture 4) (Diagram A - Fig. 2.24).**
- 5.- If a remote time clock is to be fitted, disconnect the integral time clock from the P.C.B.
6. - Using a volt-free switching time clock, connect the switching wires from the time clock following points 1-4 above (**Diagram B - Fig. 2.24).**
7. - If using an external time clock and room thermostat, these must be connected in series as **Diagram C - Fig. 2.24.**

Note: Only a low voltage room thermostat capable of volt free switching must be used.

Factory fitted integral wiring must not be disturbed when wiring external controls.

Ensure high voltage and low voltage circuits are cabled separately to avoid induced voltage in the low voltage circuits.

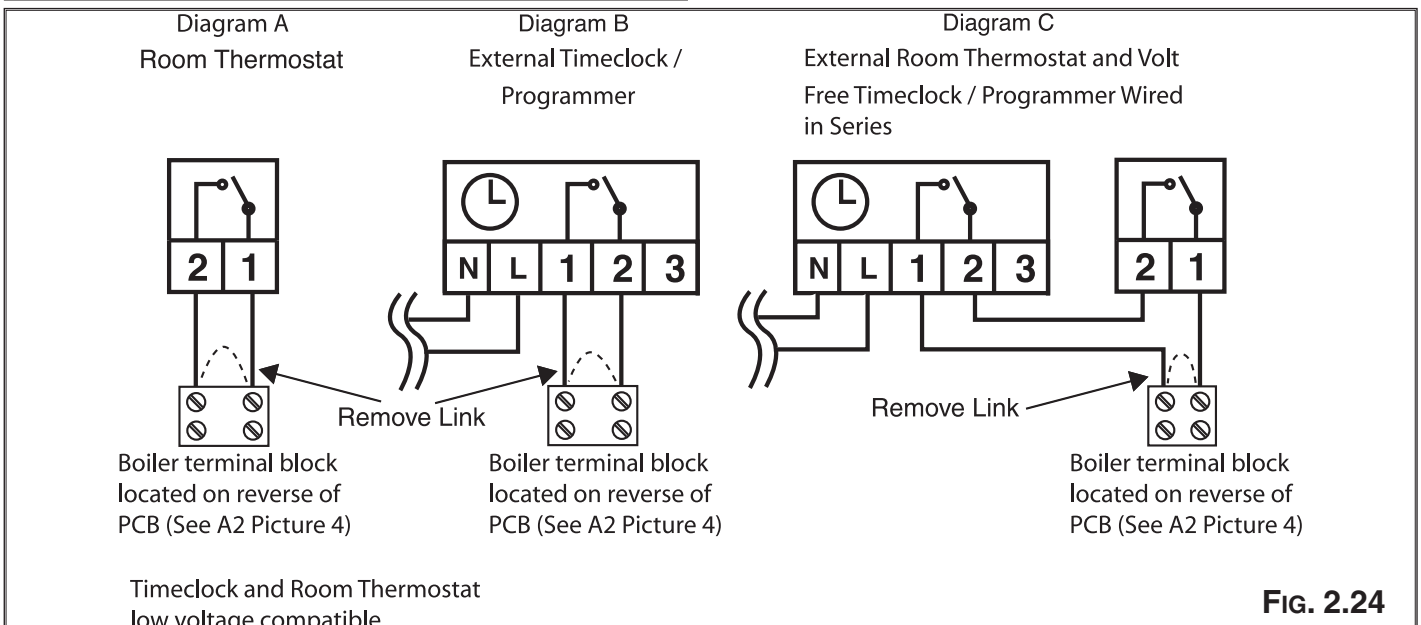
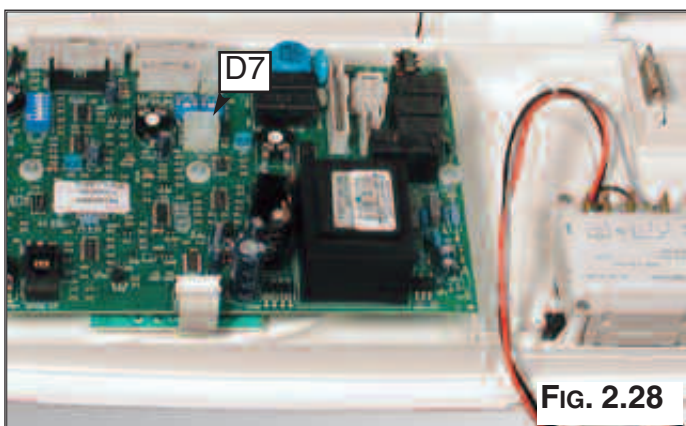
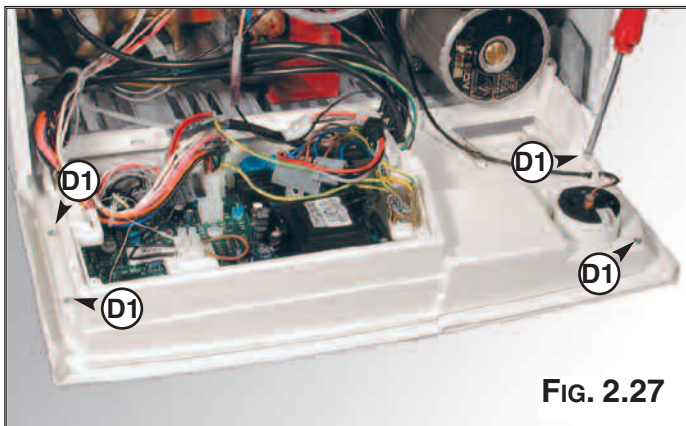
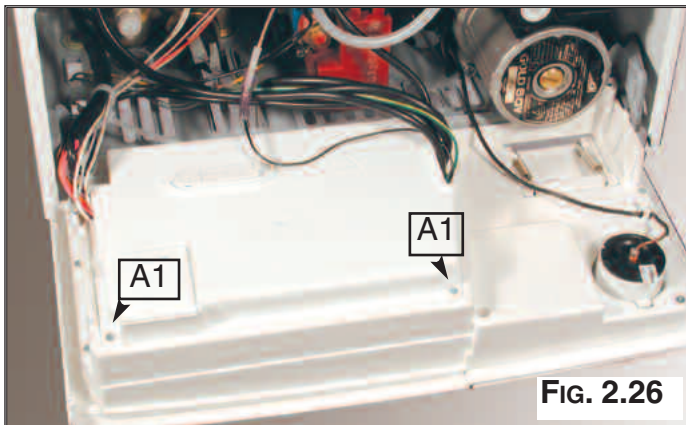
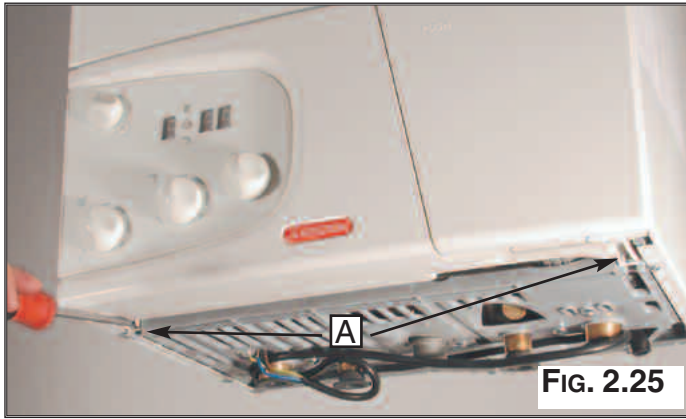


FIG. 2.24

2.14. FITTING THE DIGITAL CLOCK

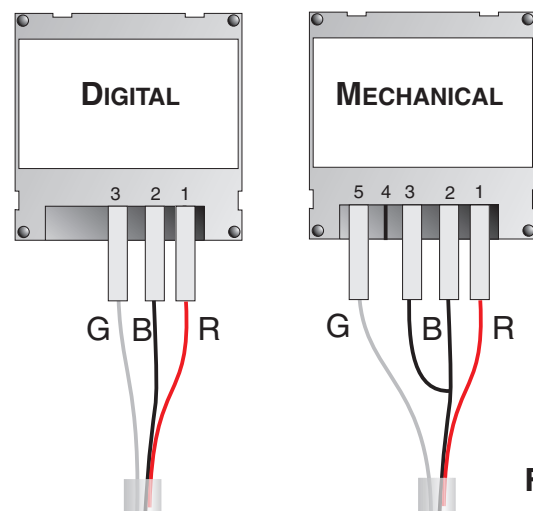
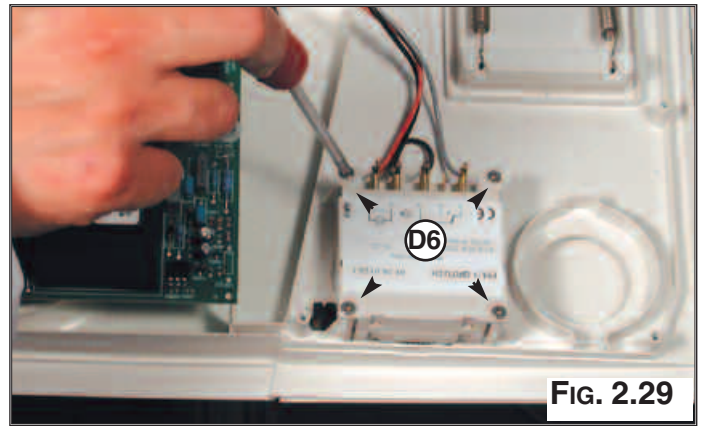


The microGENUS HE boiler is supplied with a factory fitted mechanical time clock. There is a digital clock available as an optional extra (code: 706348).

To fit the digital clock it is necessary to proceed as follows:-

1. Remove the screws **A** (FIG. 2.25) and lower the control panel;
2. Remove the screws **A1** (FIG. 2.26) to gain access to the PCB,
3. Open the control panel (see Section 2.12);
4. Remove the screws **D1** to gain access to the mechanical time clock (FIG. 2.27)
5. Unplug the electrical connection from the PCB **D7** (FIG. 2.28) and unscrew the four screws (FIG. 2.29);
6. Connect the wires supplied with the replacement clock kit to the digital time clock as shown in FIG. 2.30;
7. Reassemble in reverse order.

NOTE: THE MECHANICAL CLOCK HAS FOUR WIRES, THEREFORE THE HARNESS WILL REQUIRE CHANGING ALSO.



2.15. SETTING THE MECHANICAL TIME CLOCK

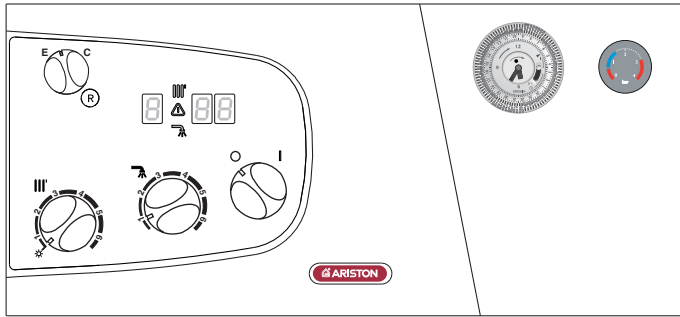


FIG. 2.31

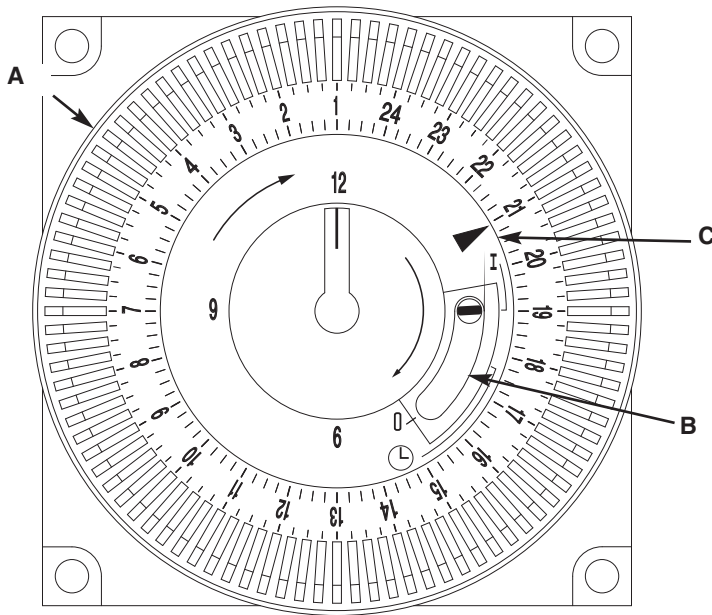


FIG. 2.32

1. General layout

The mechanical clock covers a 24 hour period. Each tappet represents 15 minutes **A** (Fig. 2.32). An override switch is located on the clock **B** (Fig. 2.32).

2. To set the time

To set the time of day, grasp the outer edge of the dial and turn slowly clockwise until the correct time is lined up with the arrow **C** (Fig. 2.32).

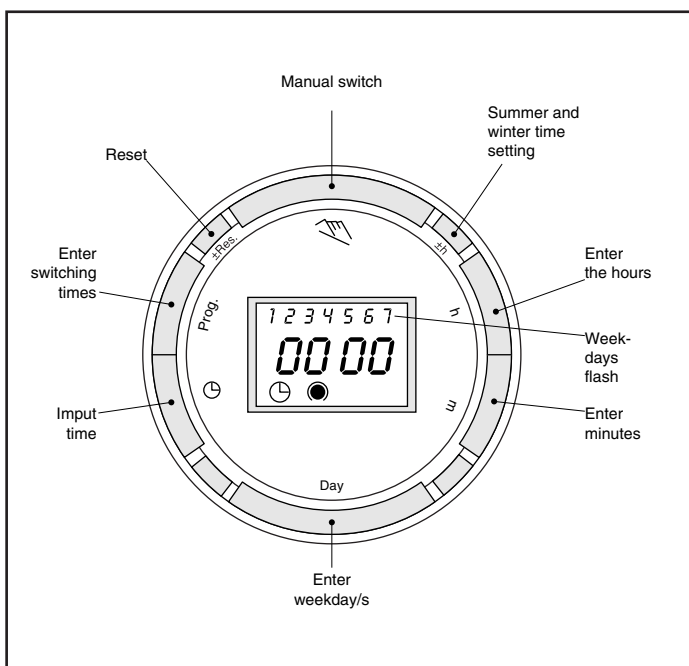
3. To Set the "On" and "Off" times

The clock uses a 24 hour system. e.g. 8 = 8.00 am and 18 = 6.00 pm. "ON" periods are set by sliding all tappets between the "ON" time and the "OFF" time to the outer edge of the dial. The tappets remaining at the centre of the dial are the "OFF" periods.

4. For operation

Put the selector switch **B** to the ☉ symbol to control the central heating by the clock. Put the switch **B** to «1» to select permanent operation or to «0» to turn the central heating off permanently.

2.16. SETTING THE DIGITAL TIME CLOCK



Operating the time switch

The steps marked with the symbol "►" are necessary to carry out a switching program.

Preparing for Operation

- Activate the "Res" switch (=RESET) to reset the time switch to its default setting (activate using a pencil or similar pointed instrument). Do this:
 - every time you wish to "reset" the time switch
 - to erase all switching times and the current time of day.

After approximately two seconds the following display appears: "-- : --".

► Enter current time and weekday

- Keep the "☉" key pressed down
- During the summer time period press the +/- 1h key once.

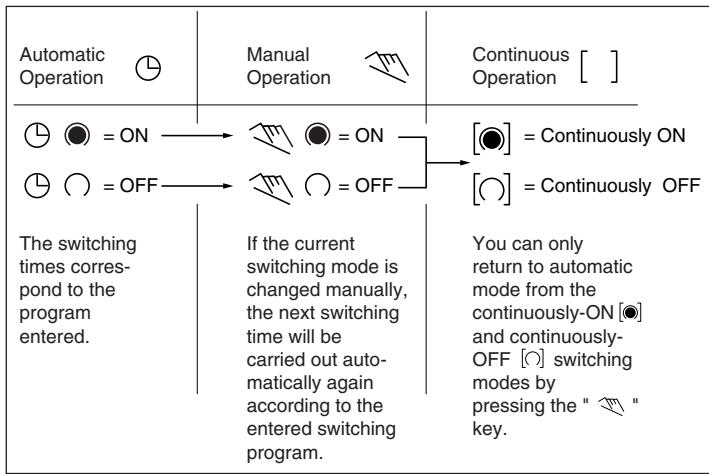
Enter the hour using the "h" key

Enter the minutes using the "m" key

Enter the day using the "Day" key

1 = "Monday".....7 = Sunday

- Release the "☉" key.



If you now press the "Prog" key once again, the number of free memory locations will be displayed, e.g. "18". If all memory locations are occupied, the display "00" appears.

Changing the programmed switching times

Press the "Prog" key repeatedly until the switching time you want to change is displayed. You can now enter the new data. See point "Entering the switching times".

Notes on storing switching times:

If you end your entry of the switching times by pressing the "Prog" key, then the switching time you have entered will be stored and the next memory location displayed.

► Entering the switching times

You have 20 memory locations available. Each switching time takes up one memory location.

Keep pressing the "Prog" key until a free memory location is shown in the display "--:--".

Programme ON or OFF with the "" key:

"○" = OFF; "●" = ON

Enter the hour using "h"

Enter the minutes using "m"

If a switching command is to be carried out every day (1 2 3 4 5 6 7) then store using the "⌚" key, otherwise select the day(s) it is to be carried out by using the "Day" key.

When the day selection is left blank, the programmed switching instruction operates at the same time every day

1 2 3 4 5 6 = Monday – Saturday


1 2 3 4 5 = Monday – Friday

6 7 = Saturday – Sunday


Selection of single days: 1 = Mon. 2 = Tues.

Save the switching time with the "⌚" key.

The time switch enters the automatic operating mode and displays the current time of day.

Begin any further entry of a switching time with the "Prog" switch. If your entry is incomplete, the segments not yet selected will blink in the display. After programming is completed, and you return the time clock to the current time display with the "⌚" key, the time clock will not activate any switching instruction required for the current time. You may need to manually select the desired switching state with the "" key. Thereafter, as the unit encounters further switching instructions in the memory in real time, it will correctly activate all subsequent switching instructions.

Manual Override Switch ""

With the "" you can change the current setting at any time. The switching program already entered is not altered.

Reading the programmed switching times

Pressing the "Prog" key displays the programmed switching times until the first free memory location appears in the display "--:--".

In addition, a complete switching command is stored **automatically** after around 90 seconds provided **no other** key is pressed. The time switch then enters the automatic operating mode and displays the current time again.

Deleting individual switching times

Press the "Prog" key repeatedly until the switching time you wish to delete is shown in the display. Then set to "--" using the "h" or "m" key and keep the "⌚" key pressed down for around 3 seconds. The switching time is now erased and the current time is displayed.

AM / PM time display

If you press the "+/-1h" and "h" keys at the same time, the time display switches into the AM/PM mode.

2.17 ELECTRICAL/SYSTEM DIAGRAMS

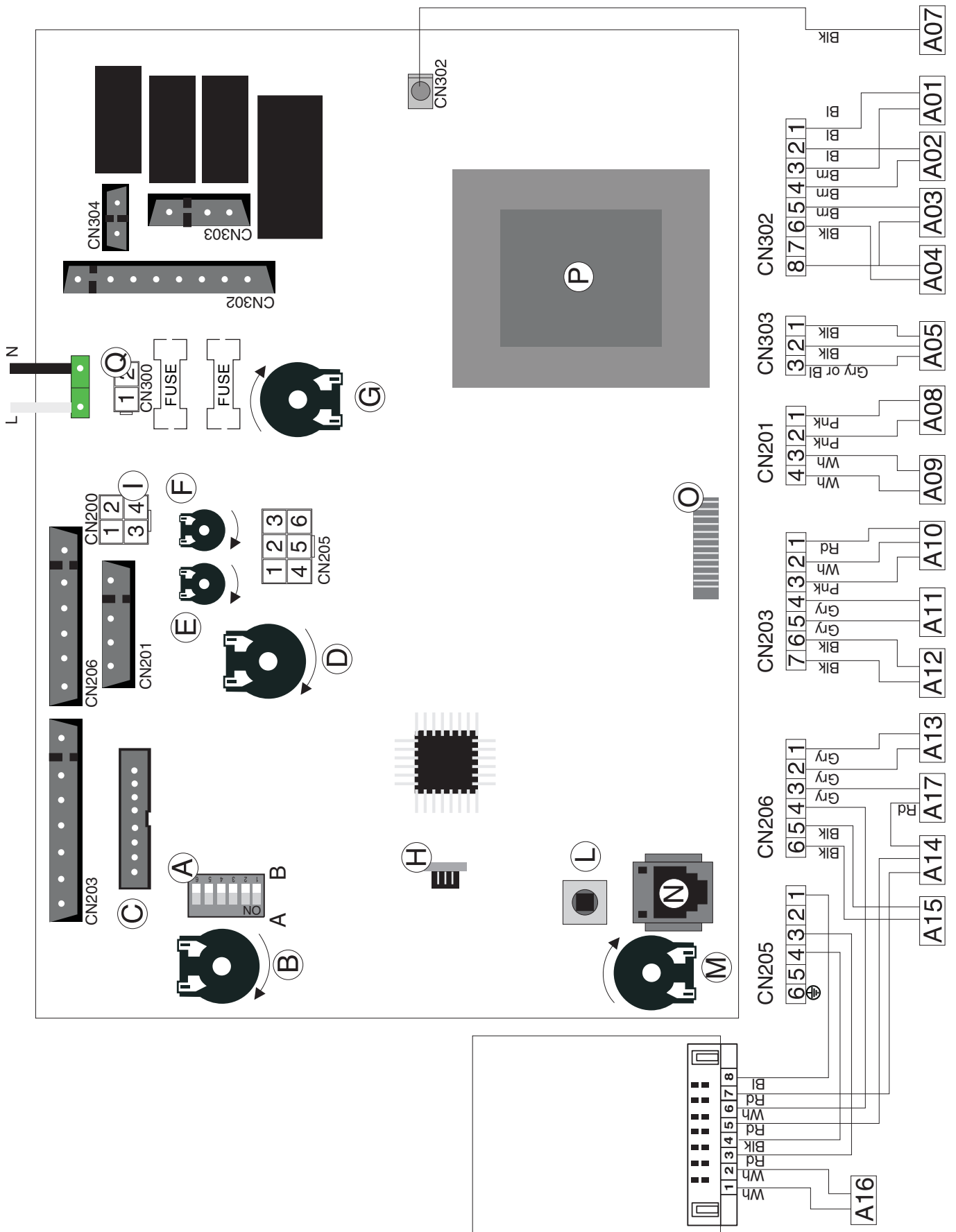
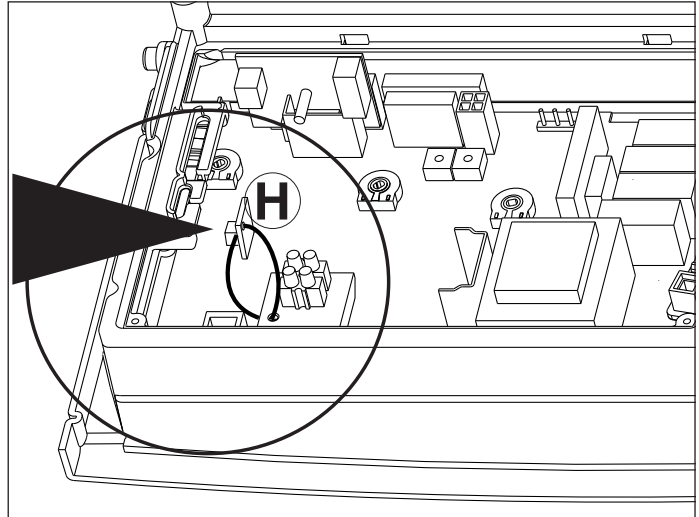


FIG. 2.33

- A - Dip Switches
- B - Summer/Winter Switch - Central Heating Temperature Regulation
- C - Connector for Remote Control (Climate Manager)
- D - Domestic Hot Water Temperature Regulation
- E - Soft-light Regulation
- F - Maximum Central Heating Temperature Regulation
- G - ON/OFF Selector
- H - EEPROM
- I - Time Clock Connector
- L - Release Push Button
- M - Economy/Comfort Selector
- N - EASY Teleservice (optional) P.C.B. Section
- O - Display P.C.B. Connector
- P - Transformer
- Q - Modem Connection (optional - EASY Teleservice)

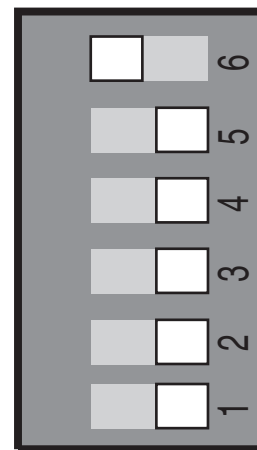


- A01 - Circulation Pump
- A02 - Fan
- A03 - Spark Generator Power Supply
- A04 - Gas Valve Power Supply
- A05 - Motorised Valve
- A07 - Flame Sensor
- A08 - Central Heating Flow NTC
- A09 - Domestic Hot Water NTC
- A10 - Domestic Hot Water Flow Switch
- A11 - Low Water Pressure Switch
- A12 - Modulator
- A13 - Air Pressure Switch
- A14 - Overheat Thermostat
- A15 - External Timer/Room Thermostat
- A16 - Condensate Sensor
- A17 - Fume Sensor

ATTENTION
WHEN REPLACING THE PCB, REMOVE THE EXISTING EEPROM KEY AND REPLACE WITH THE CORRECT EEPROM SUPPLIED WITH THE SPARE PART.

COLOURS:

- Gy - Grey
- Wh - White
- Rd - Red
- Br - Brown
- Bl - Blue
- Bk - Black
- Pk - Pink



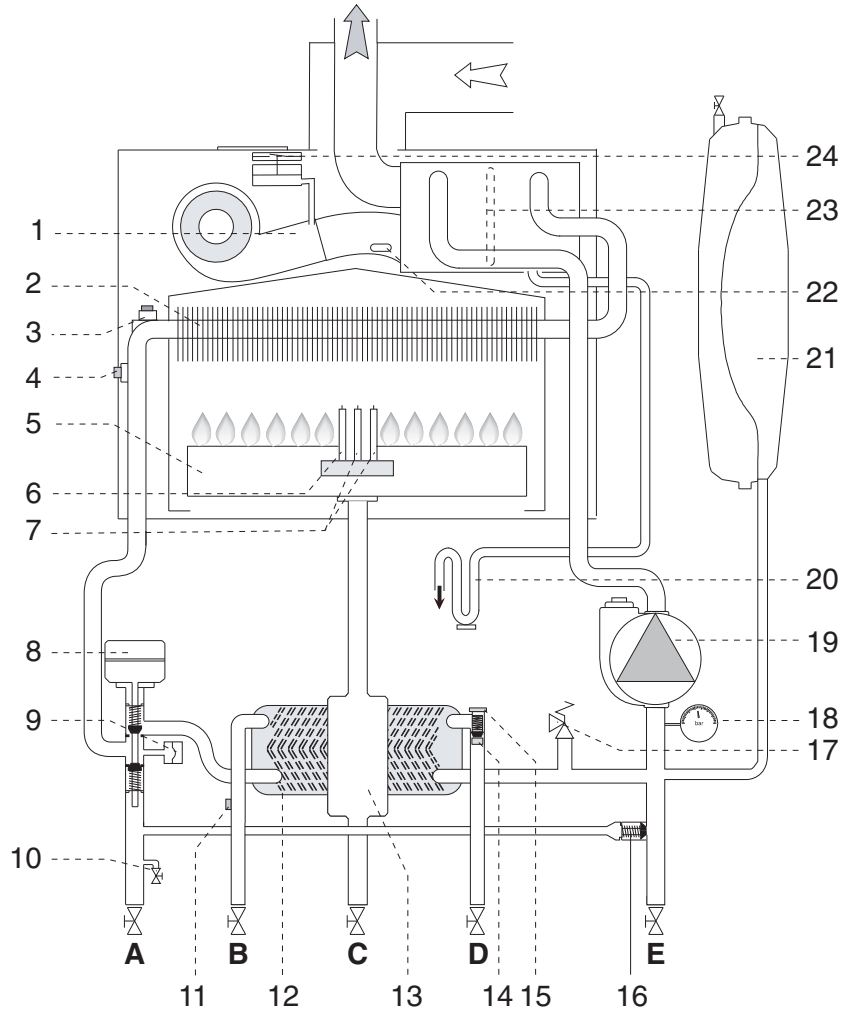
A B

A - Dip Switch:

- 1 - Do Not Use (jumper is factory set in position B)
- 2 - Anti-Cycling Device Adjustment for Heating
 Position A = 0 mins Position B = 2 mins
- 3 - Do Not Use (jumper is factory set in position B)
- 4 - Do Not Use (jumper is factory set in position B)
- 5 - Fan over-run selector (after D.H.W. is drawn)
 Position A = OFF Position B = ON
- 6 - Do Not Use (jumper is factory set in position A)

2.18 WATER CIRCUIT DIAGRAM

FIG. 2.34



SI016C

LEGEND:

- | | |
|---|------------------------------|
| 1. Fan | A. Central Heating Flow |
| 2. Heat Exchanger | B. Domestic Hot Water Outlet |
| 3. Overheat Thermostat | C. Gas Inlet |
| 4. Central Heating Flow NTC | D. Domestic Cold Water Inlet |
| 5. Burner | E. Central Heating Return |
| 6. Detection Electrode | |
| 7. Ignition Electrodes | |
| 8. Diverter Valve | |
| 9. Low Water Pressure Switch | |
| 10. Drain Valve | |
| 11. Domestic Hot Water Temperature NTC | |
| 12. Secondary Heat Exchanger | |
| 13. Gas Valve | |
| 14. D.H.W. Flow Switch | |
| 15. D.H.W. Inlet Filter | |
| 16. Automatic By-pass | |
| 17. Safety Valve | |
| 18. Pressure Gauge | |
| 19. Circulation Pump with Automatic Air Release Valve | |
| 20. Condensate Trap | |
| 21. Expansion Vessel | |
| 22. Condensate Sensor | |
| 23. Latent Heat Collector | |
| 24. Air Pressure Switch | |

3. COMMISSIONING

3.1 INITIAL PREPARATION

MTS (GB) Limited support the *benchmark* initiative. In Sections 11 and 12 of this manual you will find the *benchmark* commissioning checklist (page 68) and the service interval record (Page 69), It is important that the *benchmark* commissioning checklist is completed in the presence of your customer, they are shown how to use it, and it is signed by them. Please instruct your customer that they must have this manual with them whenever they contact a service engineer or us.

Carry out preliminary electrical system checks to ensure electrical safety, this must be carried out by a competent person i.e. polarity, earth continuity, resistance to earth and short circuit.

FILLING THE HEATING SYSTEM:

Lower the control panel and remove the case panels (see SECTION 2.12 for further information).

Open the central heating flow and return cocks supplied with the connection kit.

Unscrew the cap on the automatic air release valve one full turn and leave open permanently.

Close all air release valves on the central heating system.

Gradually open valve(s) at the filling point (filling-loop) connection to the central heating system until water is heard to flow, do not open fully.

Open each air release tap starting with the lowest point and close them only when clear water, free of air, is visible.

Purge the air from the pump by unscrewing the pump plug anticlockwise, also manually rotate the pump shaft in the direction indicated by the pump label to ensure the pump is free.

Refit the pump plug.

Continue filling the system until at least 1.5 bar registers on the pressure gauge..

Inspect the system for water soundness and remedy any leaks discovered.

FILLING OF THE D.H.W. SYSTEM:

Close all hot water draw-off taps.

Open the cold water inlet cock supplied with the connection kit.

Open slowly each draw-off tap and close them only when clear water, free of bubbles, is visible.

GAS SUPPLY:

Inspect the entire installation including the gas meter, test for tightness and purge the supply as described in BS 6891:1998.

Open the gas cock (supplied with the connection kit) to the appliance and check the gas connections on the appliance for leaks.

WATER TREATMENT

The detailed recommendations for water treatment are given in BS 7593:1992 (Treatment of water in domestic hot water central heating systems); the following notes are given for general guidance:

- If the boiler is installed in an existing system, any unsuitable additives must be removed prior to the fitting of the boiler;
- Under no circumstances should the boiler be fired before the system has been thoroughly flushed; the flushing procedure must be in line with BS7593:1992. Firstly fill the central heating system and boiler with the power off, flush through cold and completely drain the system, fill the central heating system again, add a flushing detergent, we highly recommend the use of a flushing detergent appropriate for the metals used in the circuit. These include (Fernox Superfloc, BetzDearborn Sentinel X300 or X400), whose function is to dissolve any foreign matter that may be in the system, and run the boiler on central heating until it reaches its operating temperature, flush and drain the system completely, and refill the system with a suitable corrosion inhibitor such as Fernox Copal MB-1, or BetzDearborn Sentinel X100 is recommended.

NOTE: FAILURE TO CARRY OUT THE FLUSHING PROCEDURE WILL RESULT IN THE WARRANTY BECOMING VOID.

3.2 INITIAL START-UP

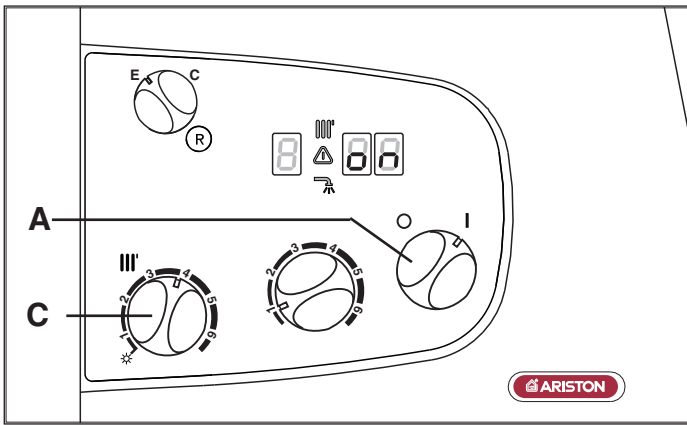


FIG. 3.2

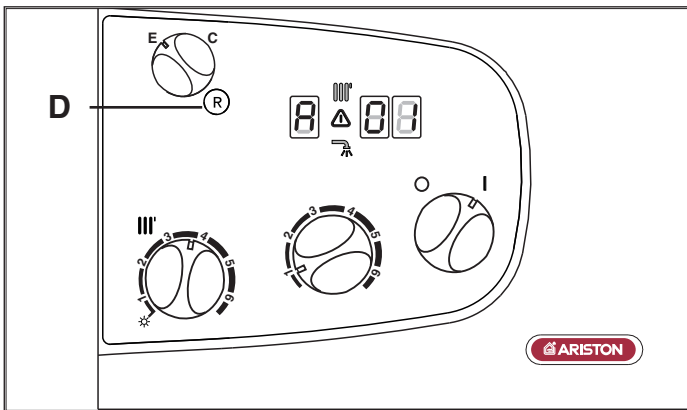


FIG. 3.4

THE CHECKS TO BE RUN BEFORE INITIAL START-UP ARE AS FOLLOWS:

1. Make sure that:
 - the screw on the automatic air valve has been loosened when the system is full;
 - If the water pressure in the system is below 1.5 bar, bring it up to the appropriate level;
 - Ensure that the gas cock is closed (Fig. 3.1);
 - Make sure that the electrical connection has been made properly and that the earth wire is connected to an efficient earthing system;
 - Supply power to the boiler by turning the On/Off knob "A" (see Fig. 3.2) - on the display will appear "on". Turn the knob "C" to maximum and switch the time clock to constant.

After 7 seconds, the boiler will signal a shutdown due to ignition failure. Leave the boiler as it is until all of the air has been bled from the system.

 - Loosen the cap on the head of the pump to eliminate any air pockets;
 - Repeat the procedure for bleeding the radiators of air;
 - Open the hot water taps for a brief period;
 - Check the system pressure and, if it has dropped, open the filling loop again to bring the pressure back up to 1.5 bar.

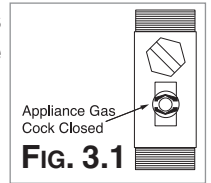


FIG. 3.1

2. Make sure that all radiator valves are open;

3. Check the flue system for products of combustion, tightness and stability.

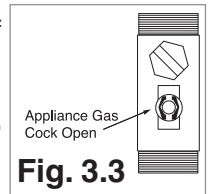
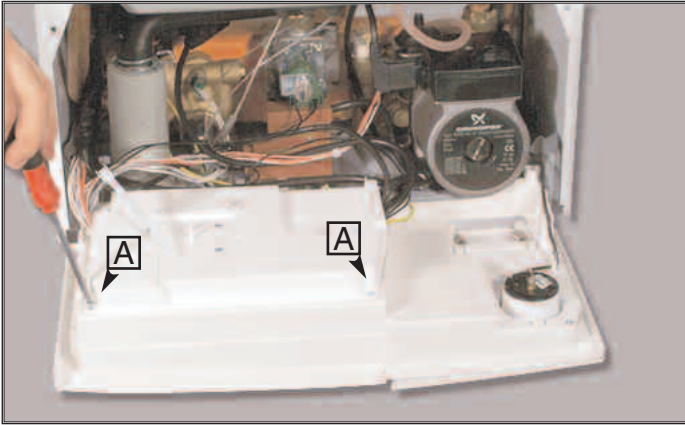


FIG. 3.3

4. **Fill the boiler condensate trap with water.**
N.B. In the event of a prolonged period of system shutdown, the condensate trap should be filled before any renewed use. A shortage of water in the trap could temporarily lead to fumes leaking into the air.

5. Turn on the gas cock (Fig. 3.3) and check the seals on the connections with an approved soap solution and eliminate any leaks.
6. Press the reset button "D" (see Fig. 3.4) the boiler will re-attempt ignition. If the burner does not light the first time, wait 1 minute, purge the gas and repeat the procedure.
7. Run the boiler in Hot Water mode and bleed air from the system
8. Check the minimum and maximum burner pressure values; adjust if necessary using the values indicated in the table in SECTION 4 (Page 36).

3.3 OPERATIONAL ADJUSTMENTS

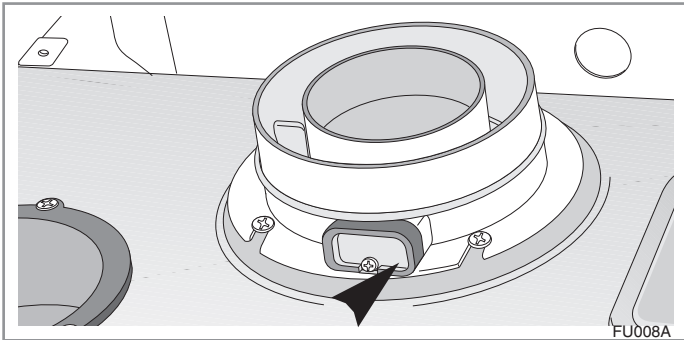


To access the areas in which adjustments are made, it is necessary to open the control panel, as indicated in **SECTION 2.12**, then remove the rear inspection cover by unscrewing the two screws “**A**”. Access is thereby provided to the P.C.B. and to the following components:

1. The power supply cable connector;
2. The fuses;
3. The soft-light potentiometer must be set to ensure correct ignition;
4. The maximum thermal heating power potentiometer adjustable by the minimum to maximum power (already calibrated in the factory to 70% of the maximum thermal power in Central Heating mode);
5. The dip switch for adjusting the ignition delay (anti-cycling) feature, which can be set from off to 2 minutes (set in the factory to off);
6. Fan/Pump Over-run (Electrical Diagram). When the jumper is set to position A the Fan and Pump over-run is activated. (The jumper is factory set in position B)
7. The time clock connector.

NOTE: SEE PAGE 27 FOR DIP SWITCH LOCATION.

3.4 COMBUSTION ANALYSIS

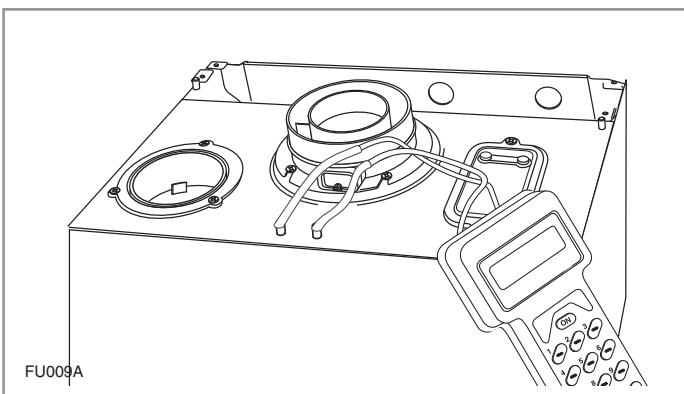


The flue connector has two apertures, readings can be taken for the temperature of the combustion products and of the combustion air, as well as of the concentrations of O₂ and CO₂, etc.

To access these intakes it is necessary to unscrew the front screw and remove the metal plate with sealing gasket.

It is possible to activate the flue test mode (maximum output) by pressing and holding the RESET button “**D**” for 10 seconds, “**5C**” will be shown on the display. The boiler will return to normal operation after 5 minutes. The boiler can be returned to normal operation sooner by switching the boiler off and on again.

3.5 PRODUCT OF COMBUSTION DISCHARGE MONITORING



In the boiler, it is possible to monitor the correct operation of the flue exhaust/air intake, checking for a loss of general pressure in the system. Through the use of a differential manometer connected to the test points of the combustion chamber, it is possible to detect the DP of operation of the air pressure switch.

The value detected should not be less than 0.55 mbar under conditions of maximum thermal power (see Section 3.4), in order for the boiler to function properly and without interruption.

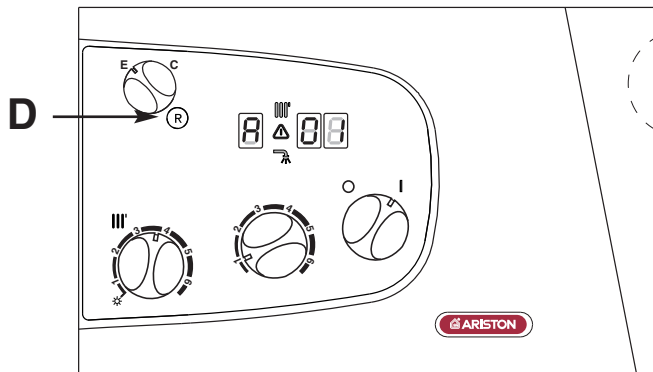
3.6 COMFORT MODE

The boiler allows the convenience level to be increased in the output of domestic hot water by means of the “COMFORT” function. This function keeps the secondary exchanger warm during the periods in which the boiler is inactive, thereby allowing the initial water drawn to be at a higher temperature.

The function may be activated by pressing turning the **COMFORT switch ‘E’** on the control panel from **E** to **C** (see section 2.10).

3.7 BOILER SAFETY SYSTEMS

WARNING!
The boiler is still powered.



Important

If this shutdown occurs frequently, contact an authorised Service Centre for assistance. For safety reasons, the boiler will allow a **maximum of 5 reset operations to take place in 15 minutes** (pressing the RESET button).

If the shutdown is occasional or an isolated event, this is not necessarily a problem.

SAFETY SHUTDOWN “E”

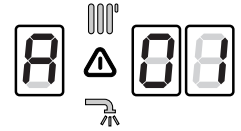
In the event of a safety cut-off (displayed with the code shown in the table), the boiler will automatically try to reset itself and relight. Should this not be the case, contact an authorised Service Centre for assistance.

DISPLAY	CAUSE
E 02	Insufficient water pressure
E 04	Domestic hot water temperature probe in open circuit
E 05	Domestic hot water temperature probe short circuited
E 06	Heating flow temperature probe in open circuit
E 07	Heating flow temperature probe short circuited
E 08	Heating return temperature probe in open circuit
E 09	Heating return temperature probe short circuited
E 20	Flame detected with gas valve closed
E 21	Error in the electrical connection (live and neutral crossed)
E 33	The air pressure switch is closed before the ignition sequence
E 34	The air pressure switch does not close when the fan runs
E 99	More than 5 RESETS of the boiler in 15 minutes.

The boiler is protected from malfunctioning by means of internal checks by the P.C.B., which brings the boiler to a stop if necessary.

There are two types of shut-off:

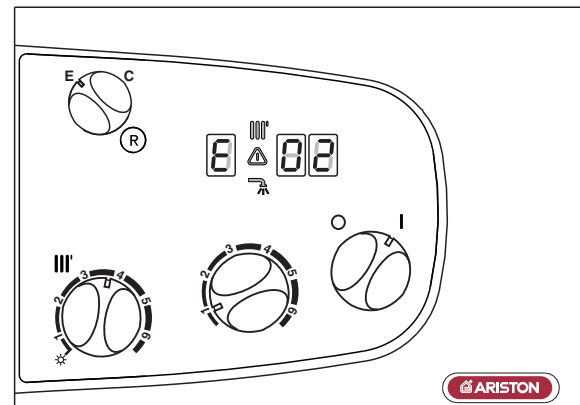
- **SHUTDOWN (R)**
- **SAFETY SHUTDOWN (E)**



SHUTDOWN “R”

This type of appliance shutdown is called “non-volatile”, and is indicated on the display by a number preceded by the letter (R), and by the symbol Δ (G FIG. 2.23 Page 21), as illustrated in the table below:

DISPLAY	CAUSE
R 01	No flame after safety time (7 seconds)
R 03	The heating flow temperature exceeds 103°C during operation
R 77	Condensate Trap full of water Condensate sensor short circuited Condensate sensor in open circuit
R 75	Flue temperature thermostat overheating
R 97	Problem with the electronic monitoring
R 98	Problem with the electronic monitoring
R 99	Problem with the electronic monitoring



ANTI-FROST DEVICE:

The boiler is equipped with an anti-frost device which, operates in two ways depending on the water temperature:

Temperature @ Flow Sensor below 8°C;

The pump will run at speed 2 for 2 mins (1 minute in CH and 1 minute in DHW).

After 2 minutes the PCB will check the temperature at the Return Sensor, should the temperature be 8°C or higher the boiler will return to stand-by.

Should the temperature remain between 5°C & 8°C the pump will continue to operate for a further 2 minutes, with the diverter valve switching between CH and DHW as before, this will continue for a maximum of 10 minutes, after 10 minutes of this operation the burner will fire at minimum power until the Return Sensor reads a temperature of 33°C, there will then be 2 minutes of pump over-run in the DHW circuit.

Temperature @ Flow Sensor below 5°C;

The burner will fire at minimum power in CH until the Return Sensor reads a temperature of 33°C, once achieved there will be 2 minutes of pump over-run in the DHW circuit.

NOTE: IN THE EVENT OF FLAME FAILURE, AND THE TEMPERATURE IS BELOW 5°C THE PUMP WILL OPERATE FOR 2 MINS (1 MIN CH AND 1 MIN DHW).

This device only operates if the boiler is functioning perfectly and:

- the system pressure is sufficient;
- the boiler is powered electrically;
- the gas is turned on.

PUMP / DIVERTER VALVE PROTECTION:

To prevent the pump and diverter valve from siezing the boiler will activate the pump for 20 seconds every 21 hours after it's last operation and activate the diverter valve once.

3.8 DRAINING THE SYSTEM

DRAINING THE HEATING SYSTEM

The heating system must be drained as follows:

- Turn off the boiler;
- Attach a hose pipe and open the drain valve;
- Drain the system at the lowest points (where present).
When the heating system is unused for an extended period of time, it is recommended that you add antifreeze with an ethylene glycol base to the water in the heating pipe work and radiators if the ambient temperature drops below 0°C during the winter.
This makes repeated draining of the entire system unnecessary.

DRAINING THE DOMESTIC HOT WATER SYSTEM

Whenever there is the danger of the temperature dropping below the freezing point, the domestic hot water system must be drained as follows:

- Turn off the general water valve for the household plumbing system;
- Turn on all the hot water taps;
- Empty the remaining water from the lowest points in the system (where present).

3.9 COMPLETION

For the Republic of Ireland it is necessary to complete a “Declaration of Conformity” to indicate compliance to I.S. 813. An example of this is given in the current edition of I.S. 813. In addition it is necessary to complete the *benchmark* Commissioning Checklist, (Section 11, page 68).

3.10 OPERATIONAL CHECKS

1. The flue system must be visibly checked for soundness.
2. On Central Heating allow the system to warm up and manipulate the Central Heating temperature control knob, check the burner modulates up and down between the high and low settings;
3. Range rate the thermal power for Central Heating, as detailed in **SECTION 4.2** (page 39);
4. Check and adjust the soft-light setting, as detailed in **SECTION 4.2** (page 39);
5. Run the Domestic Hot Water, manipulate the Domestic Hot Water temperature control knob to check the burner modulates up and down between the high and low settings and check the gas rate at the meter;
6. Set the Domestic Hot Water flow rate;
7. Balance the Central Heating system until all return temperatures are correct and equal;
8. Turn the ON/OFF button OFF, disconnect the gas pressure gauge, retighten screw test for soundness and relight boiler.
9. Re-examine Central Heating, Domestic Hot Water and Cold Water supplies for soundness.
10. Check the appearance of the gas flame to assess the adequacy of the combustion air supply.
11. If external controls have been disconnected, reconnect and test.
12. Refit boiler casing.

3.11 INSTRUCTING THE END USER

1. Hand over the copy of the End User Instructions supplied with the appliance, together with these instructions, and explain how to use the timeclock and room thermostat if fitted.
2. Show the End User how to switch the appliance off quickly, and indicate the position of the electric supply isolator.
3. Inform the End User of the location of all drains, isolating valves and air vents.
4. Explain how to turn the appliance off for both short and long periods and advise on the precautions necessary to prevent damage in the event that the appliance is inoperative when freezing conditions occur.
5. Finally advise the End User that, for continued safe and efficient operation, the appliance must be serviced by a competent person at least once a year, ensuring that the Service Interval Record is completed (Section 12, page 69).

4. GAS ADJUSTMENTS

CATEGORY I12H3+		Methane Gas G20	Liquid Butane Gas G31	Liquid Propane Gas G30
Lower Wobbe Index (15°C;1013mbar)	MJ/m ³ h	45.67	80.58	80.58
Nominal Delivery Pressure	mbar	20	29	37
Minimum Delivery Pressure	mbar	20	28	36
microGENUS HE 24 MFFI				
Main Burner: n. 14 jets (ø)	mm	1.30	0.70	0.70
Consumption (15°C; 1013mbar) max - min	m ³ /h	2.54 - 1.16	---	---
Consumption (15°C; 1013mbar) max - min	Kg/h	---	1.89 - 0.87	2.86 - 0.85
Gas Burner Pressure max - min	mbar	7.5 - 1.7	29.0 - 5.5	35.6 - 6.8
microGENUS HE 28 MFFI				
Main Burner: n. 14 jets (ø)	mm	1.30	0.74	0.78
Consumption (15°C; 1013mbar) max - min	m ³ /h	2.96 - 1.27	---	---
Consumption (15°C; 1013mbar) max - min	Kg/h	---	2.21 - 0.95	2.17 - 0.93
Gas Burner Pressure max - min	mbar	9.5 - 1.8	27.5 - 5.4	36.0 - 7.1
microGENUS HE 32 MFFI				
Main Burner: n. 14 jets (ø)	mm	1.30	0.74	0.78
Consumption (15°C; 1013mbar) max - min	m ³ /h	3.33 - 1.27	---	---
Consumption (15°C; 1013mbar) max - min	Kg/h	---	2.48 - 0.95	2.45 - 0.93
Gas Burner Pressure max - min	mbar	12.0 - 1.8	28.0 - 5.4	36.0 - 7.0

4.1 CHANGING THE TYPE OF GAS

The boiler can be converted to use either methane (natural) gas (G20) or L.P.G. (G30 - G31) by a CORGI registered Gas Engineer.

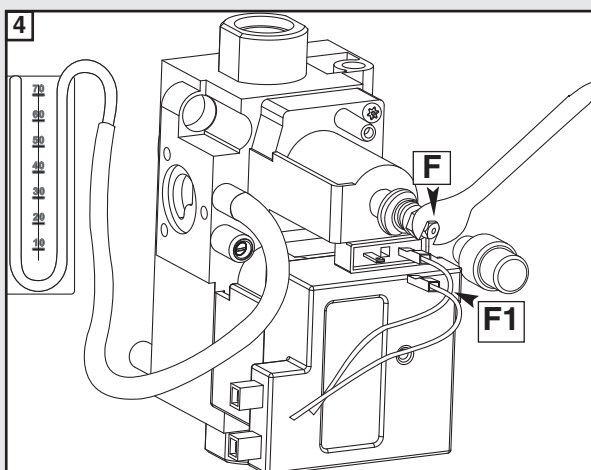
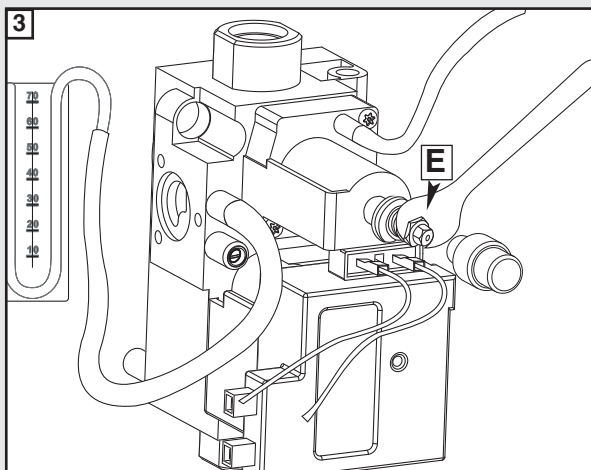
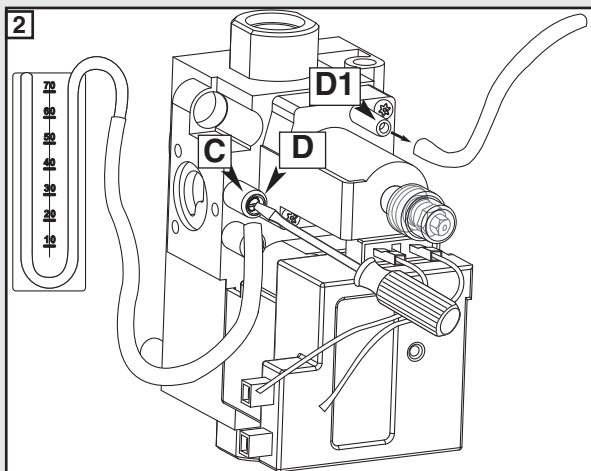
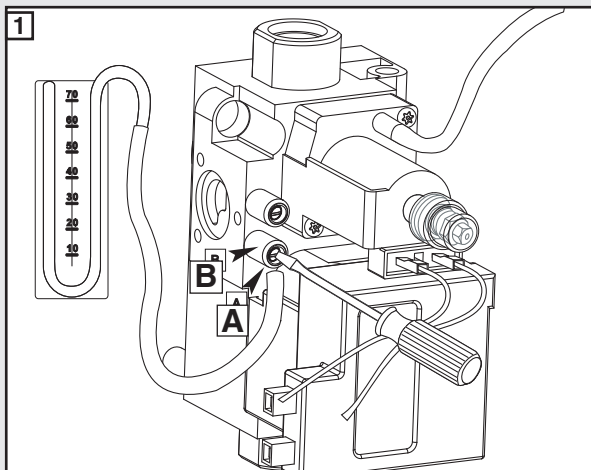
The operations that must be performed are the following:

1. Replace the jets on the main burner (see Table A);
2. Adjust the maximum and minimum thermal capacity values for the boiler (Section 4.2 Adjusting the Gas Pressures);
3. Adjust the maximum thermal power setting (Page 39 and TABLE B 40);
4. Adjust the soft-light feature (see Table opposite for recommended pressure and Fig. 4.1 see page 39);
5. Adjust the ignition delay feature for the heating system by adjusting the dip switch as indicated in Section 2.17 (Fig. 2.34). It can be turned on or off.

SOFT LIGHT PRESSURES

CATEGORY I12H3+	Methane Gas G20	Liquid Butane Gas G31	Liquid Propane Gas G30
Soft-light Pressure (mbar)			
24 kW Model	5.0	12.0	12.0
28 kW Model	5.5	12.0	12.0
32 kW Model	5.5	12.0	12.0

4.2 ADJUSTING THE GAS PRESSURES

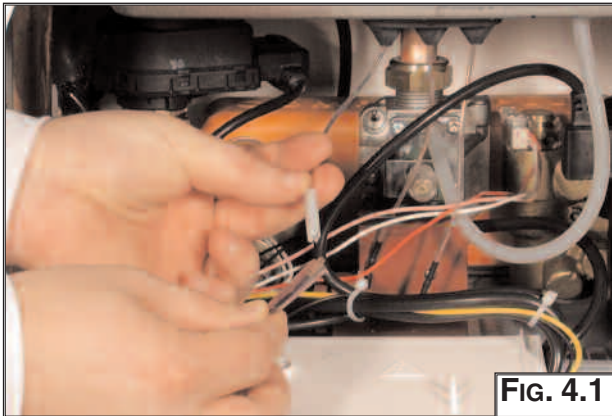
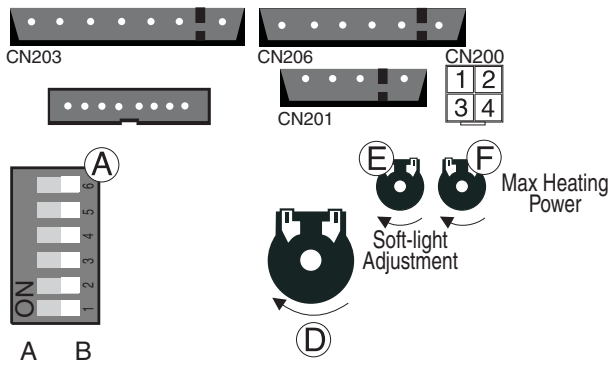


Setting the minimum and the maximum power of the boiler

1. Check that the supply pressure and dynamic working pressure to the gas valve is a minimum of 20 mbar for natural gas and 29 and 37 mbar for LPG (G30 or G31).
2. To do this, loosen the screw "A".
Fit the pipe of the pressure gauge to the inlet pressure connection of the gas valve "B" and check for the correct standing pressure, then operate the appliance and check for the correct working pressure.
When you have completed this operation, replace the screw "A" securely into its housing to seal off the gas (check for tightness).
3. To check the pressure supplied by the gas valve to the burner, loosen the screw "C". Fit the pipe of the pressure gauge to the pressure outlet test point of the gas valve "D".
Disconnect the compensation pipe "D1" either from the gas valve or from the sealed chamber.
4. Turn the On/Off knob to "ON" position -*green light*- and ensure that the hot water temperature control knob is set to maximum.
Turn on the boiler by running a hot water tap.
Adjust the 10mm nut "E" on the modureg to set the maximum gas pressure, turn the nut clockwise to increase and anti clockwise to decrease the pressure until the required pressure is achieved (see **TABLE A** Page 37).
5. To set the minimum power, disconnect a supply terminal "F1" from the modureg and adjust screw "F" (ensure that the 10mm nut is held in position). Turn the screw clockwise to increase the pressure and anti-clockwise to decrease the pressure (displayed on the pressure gauge) corresponding to the minimum power (see **TABLE A** Page 36).

IMPORTANT!

Whenever you disassemble and reassemble the gas connections, always check for leaks using a leak detection fluid.



- When you have completed the above operations, turn off the hot water tap, reconnect the supply terminal to the modureg on the gas valve, reconnect the compensation pipe and replace the cap on the screw of the modureg.

Setting the maximum heating circuit power

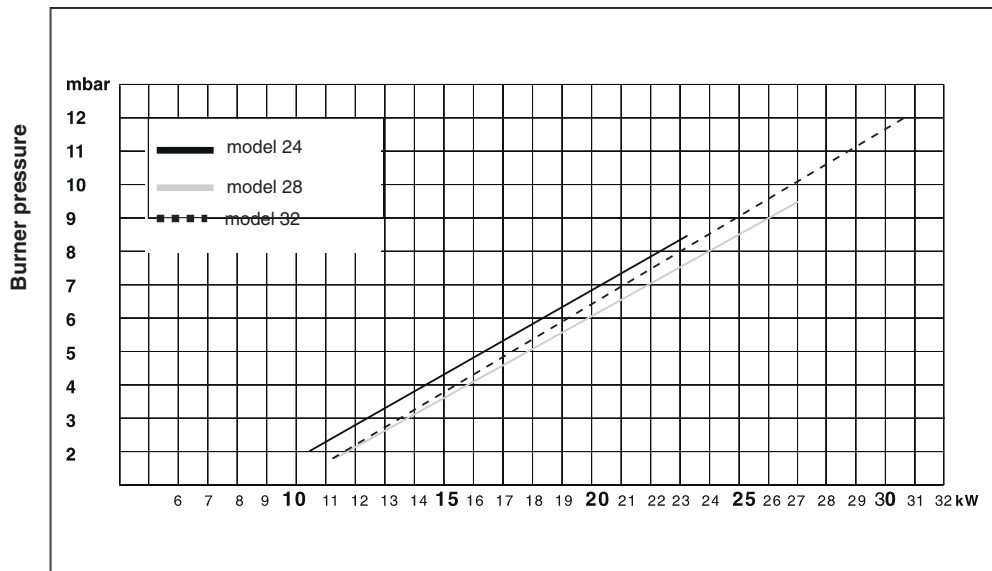
- To set the maximum heating circuit power, turn the On/Off knob to the "ON" position and set the time clock and any external controls to the "ON" position. Turn the knob of the heating thermostat clockwise to maximum.
- Remove the inspection panel of the P.C.B. and fit a small cross-head screwdriver in to the right hand potentiometer (max. heating power). Turn clockwise to increase the pressure or anti-clockwise to reduce the pressure. Adjust the setting to the required heating value (displayed on the pressure gauge), as indicated in **Table B** shown on Page 40.
- Turn off the boiler by placing the main switch to the "OFF" position.

Setting the pressure for soft-light ignition.

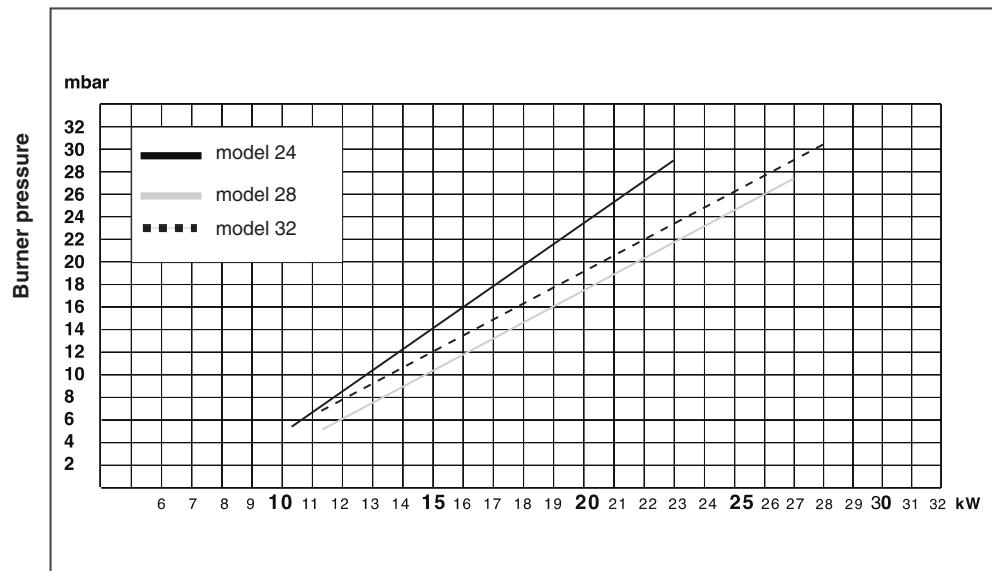
- Disconnect the detection electrode connection close to the P.C.B. (**FIG. 4.1**);
- Start the boiler and during the ignition sequence adjust the left hand potentiometer until the gas pressure reads the required gas pressure (**Soft-light pressure table - Page 37**);
- Once the gas pressure is set turn off the boiler and reconnect the detection electrode to the P.C.B.
NB.: It may be necessary to reset the flame failure reset a number of times during this operation;
- Remove the pipe from the test point and tighten the screw "C" and test for tightness;
- Carefully check the pressure test points for gas leaks (both inlet and outlet).

TABLE B

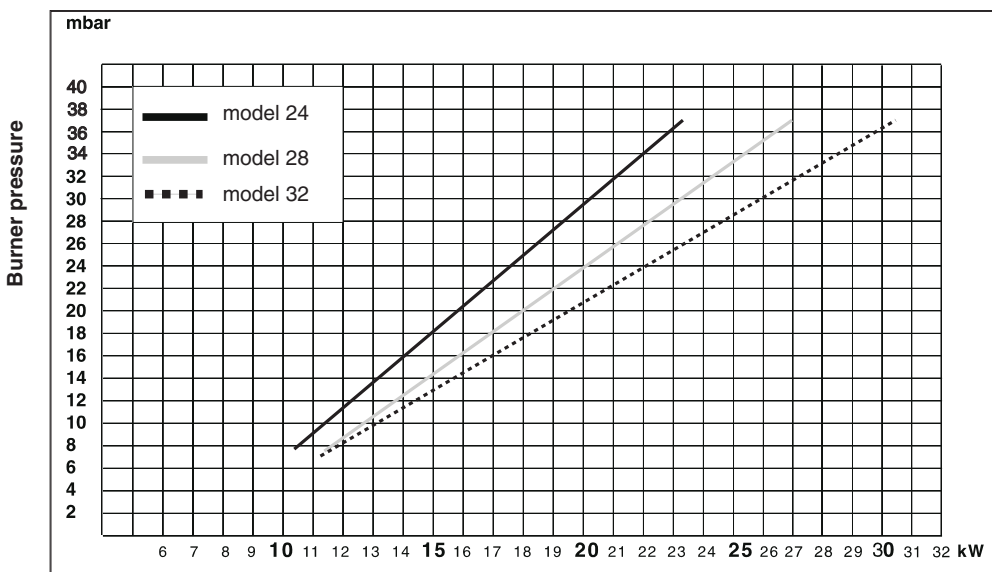
Regulating the heating power for natural gas (G20)



Regulating the heating power for butane gas (G30)



Regulating the heating power for propane gas (G31)



5. MAINTENANCE

It is recommended that the following inspections be carried out on the boiler at least once a year:

1. Visually check the appliance for correct installation;
2. Check the appliance for the correct operation;
3. Check the flue and flue installation for correct siting, installation and that it is in good condition.;
4. Remove the casing as described in Section 7.2;
5. Check the operation of the safety devices:
 - Air Pressure Switch;
 - Overheat Thermostat;
 - Safety Valve;
 - Pump Pressure Switch;
 - Ionisation (Flame Detection);
6. Drain the boiler and check the pressure in the expansion vessel, ensuring it is 0.7 bar;
7. Remove the diverter valve motor and clean the actuators, replacing any damaged seals as necessary (see Exploded View on Pages 63 & 64 for more details);
8. Remove, clean and refill the condensate trap and condensate hoses (see Section 6.3.10), check the drain system for correct discharge of condensate and clean if necessary;
9. Remove and clean the DHW flow switch;
10. Remove and clean the fan;
11. Remove and clean the electrodes with an emery cloth;
12. Remove and clean the burner;
13. Check and clean the primary heat exchanger as necessary;
14. Refill the boiler and check the following;
15. Check gas inlet pressure and correct working pressure;
17. Check the gas rate;
18. Check the correct operations of the timeclock and room thermostat;
19. Check the DHW flow rates;
20. Advise the customer on the correct use of the appliance (clock setting and operation, repressurising etc.);
21. Complete the Service Interval Record (Section 12, page 69).

6. SERVICING INSTRUCTIONS

To ensure efficient safe operation, it is recommended that the boiler is serviced annually by a competent person.

Before starting any servicing work, ensure both the gas and electrical supplies to the boiler are isolated and the boiler is cool and suitable protective clothing is worn.

Before and after servicing, a combustion analysis should be made via the flue sampling point (please refer to SECTION 3.4 for further details).

After servicing, preliminary electrical system checks must be carried out to ensure electrical safety (i.e. polarity, earth continuity, resistance to earth and short circuit).

6.1 REPLACEMENT OF PARTS

The life of individual components vary and they will need servicing or replacing as and when faults develop. The fault finding sequence chart in SECTION 7 will help to locate which component is the cause of any malfunction, and instructions for removal, inspection and replacement of the individual parts are given in the following pages.

6.2 TO GAIN GENERAL ACCESS

All testing and maintenance operations on the boiler require the control panel to be lowered. This will also require the removal of the casing.

6.2.1 Removing the front panel

1. Loosen the fastening screws "A" of the control panel located on the lower part of the panel itself. (FIG. 6.1);
2. The control rotates on two lateral hinges; the panel stays in a horizontal position, which allows access to the inner parts of the boiler (FIG. 6.2);
3. Remove the screws "B" from the front panel bottom lip (FIG. 6.3);
4. Lift the front panel up and forward from the raised screws at the the top of the casing (FIG. 6.4).

FIG. 6.1

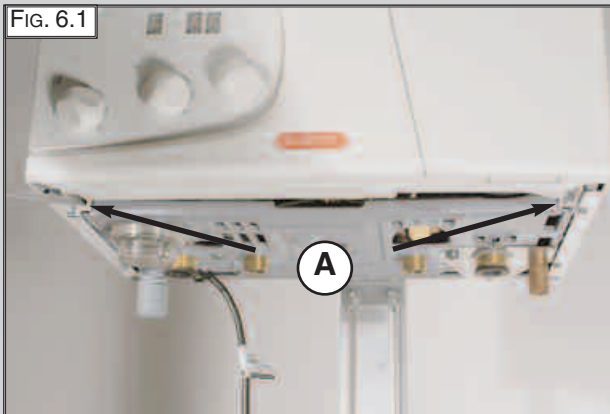


FIG. 6.2

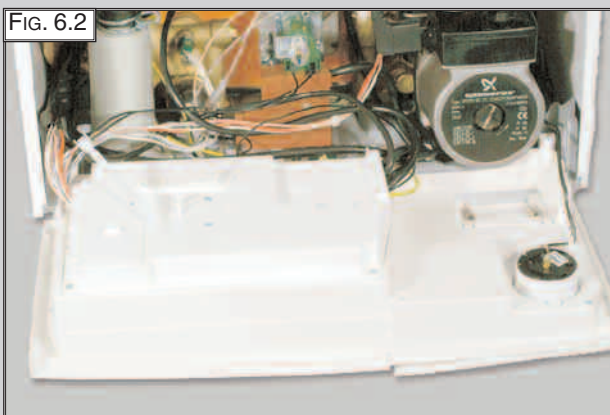


FIG. 6.3

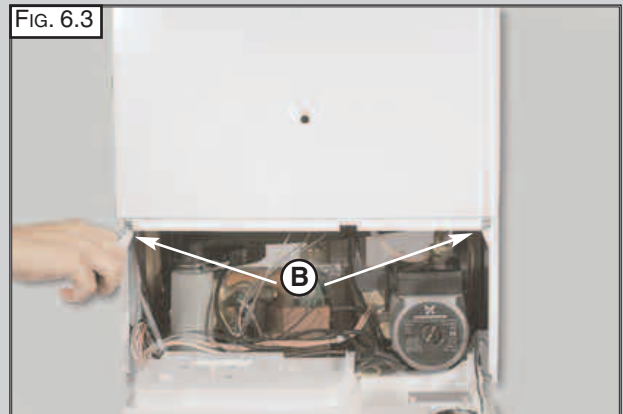
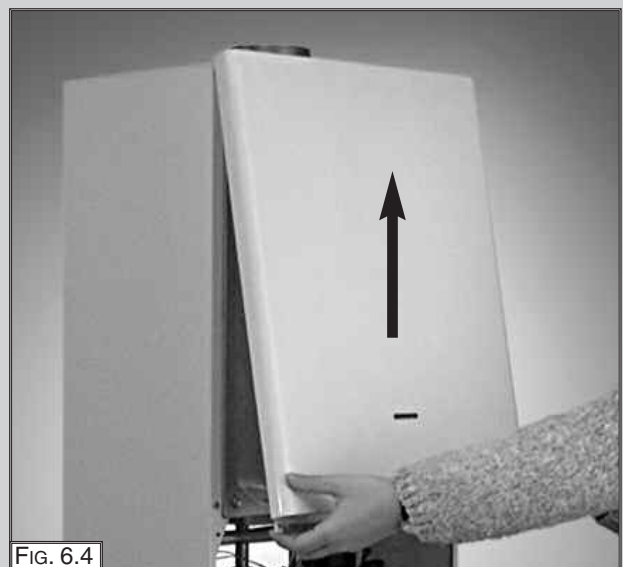
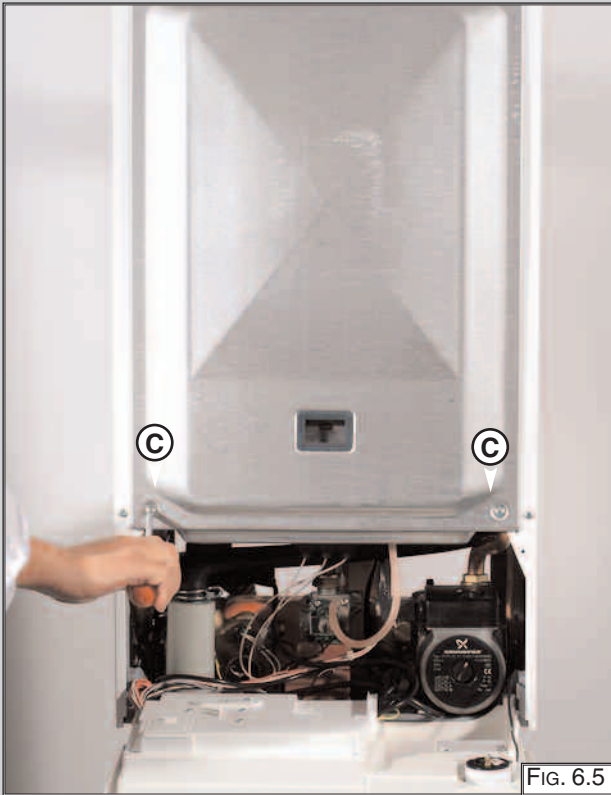


FIG. 6.4



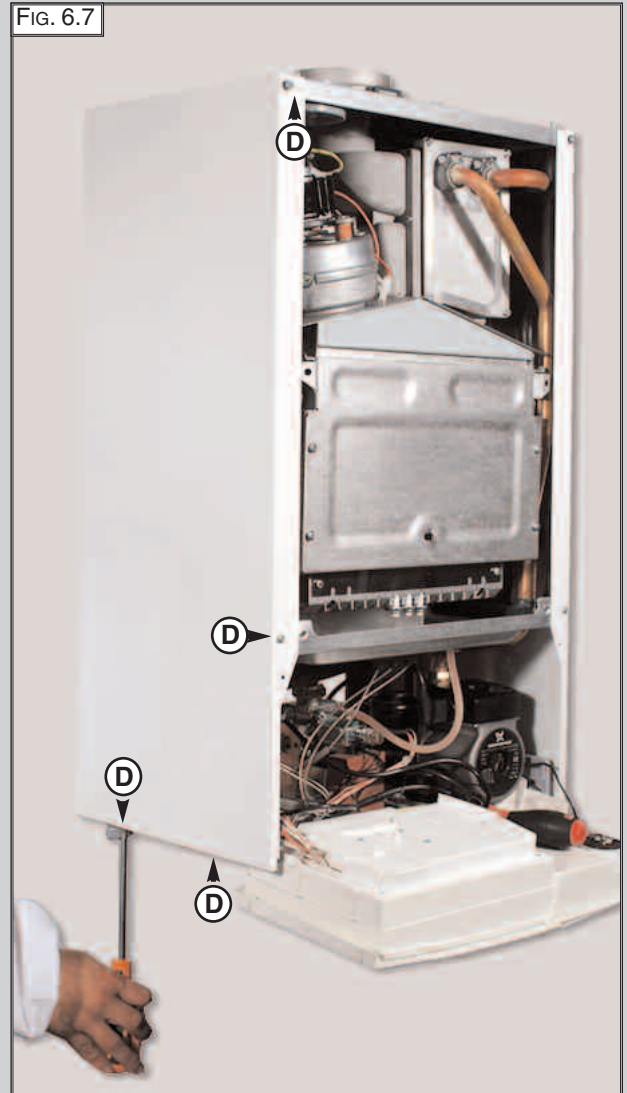
6.2.2 Removing the sealed chamber front cover

1. Remove the screws "C" (Fig. 6.5);
2. Lift the sealed chamber front cover from the locating pins (Fig. 6.6).



6.2.3 Removing the side panels

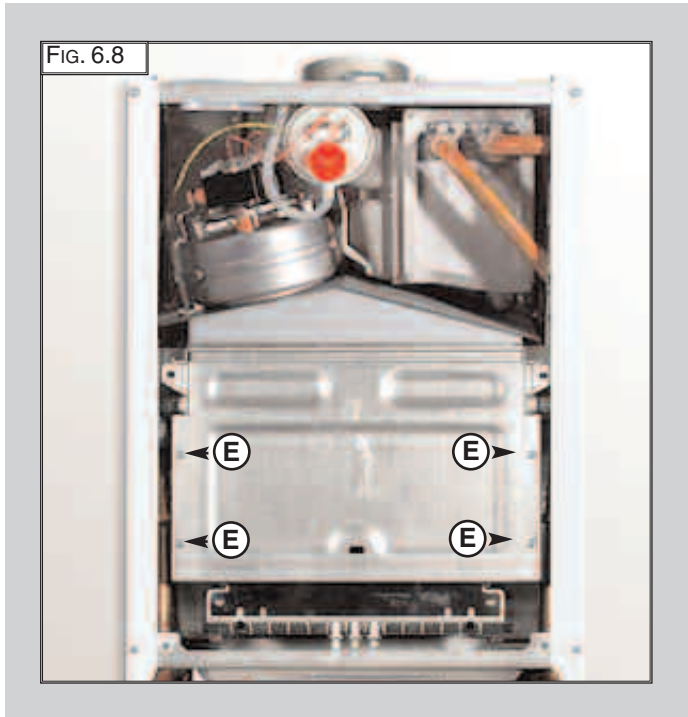
1. Remove the four screws "D" for each side panel (Fig. 6.7);
2. Pull the panel away from the boiler at the base, then lift the panel up and remove from the boiler.



6.3 ACCESS TO THE COMBUSTION CHAMBER

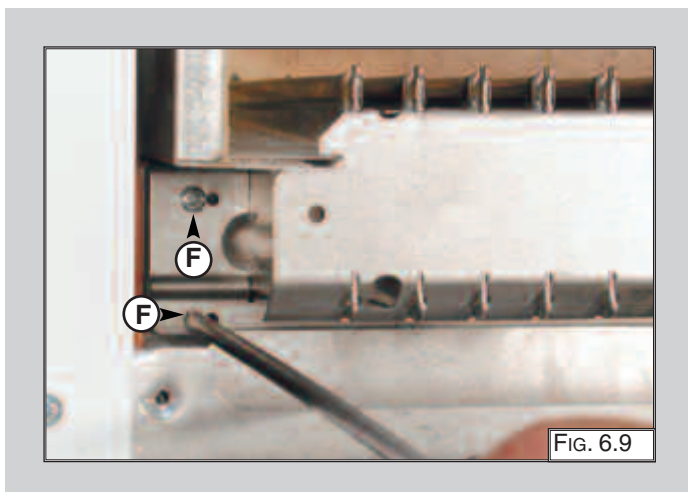
6.3.1 Removing the combustion cover

1. Remove the screws "E" (FIG. 6.8);
2. Lift off the combustion cover.



6.3.2 Removing the burner and jets

1. Remove the screws "F" from the burner (FIG. 6.9);
2. Remove the burner (FIG. 6.10);
3. Disconnect the electrodes (see SECTION 6.3.3);
4. Remove the jets using a No. 7 socket spanner;
5. Replace in reverse order.



6.3.3 Removing the electrodes

Before carrying out this procedure, unscrew and slide the burner forward (see previous section).

1. Remove rubber gasket "G" (FIG. 6.11);
2. To remove the detection electrode disconnect the cable at its connection point close to the P.C.B. (FIG. 6.12);
3. Remove screw "H" (FIG. 6.13);
4. Gently slide the electrode downward (FIG. 6.14).

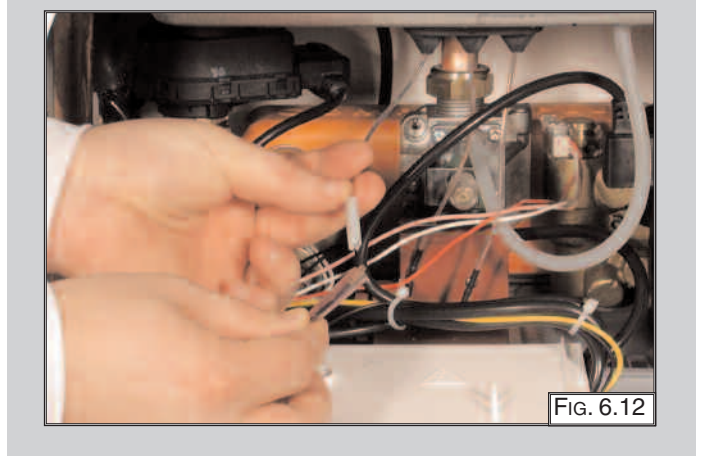


FIG. 6.13

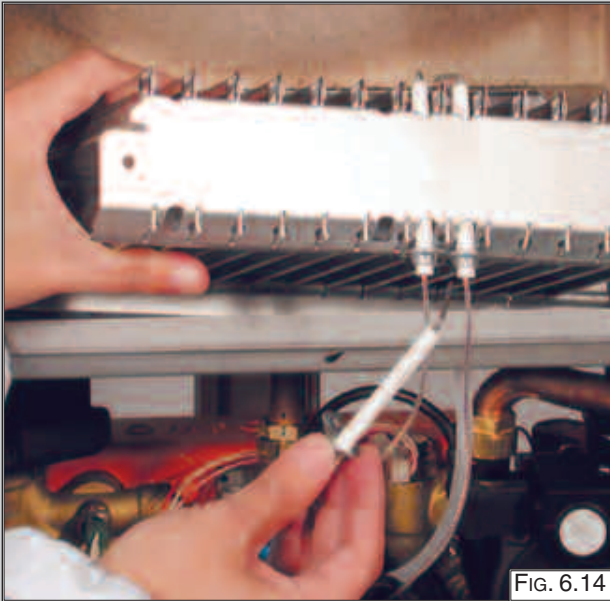
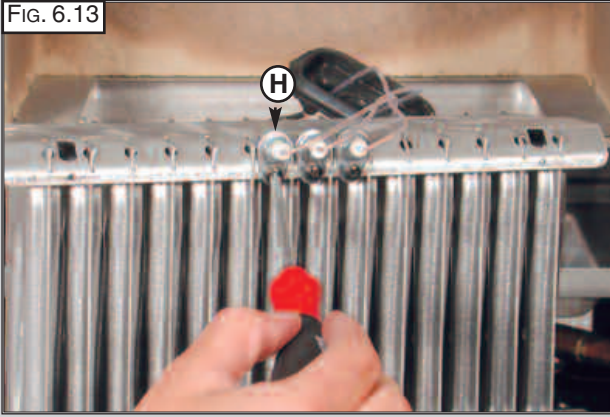


FIG. 6.14

6.3.4 Removing the main heat exchanger

1. Drain the boiler of water;
2. Remove the side panels (see 6.2.3)
3. Remove the overheat thermostat sensor "H" (FIG. 6.15);
4. Remove the clips "I" (FIG. 6.15);
5. Release the connection nut "J" (FIG. 6.16);
6. Release the connection nut "K" (FIG. 6.17);
7. Pull down the pipe (FIG. 6.18);
8. Pull it straight out (FIG. 6.19).

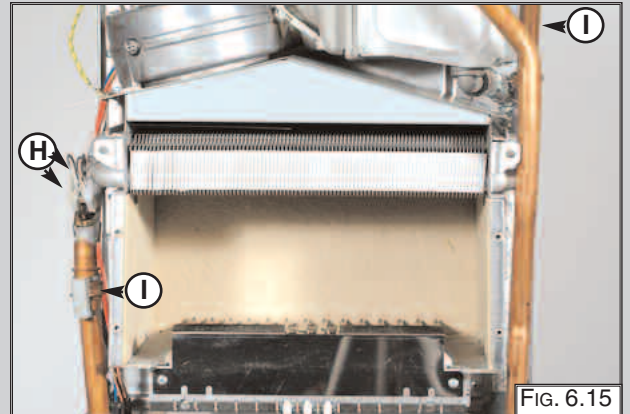


FIG. 6.15

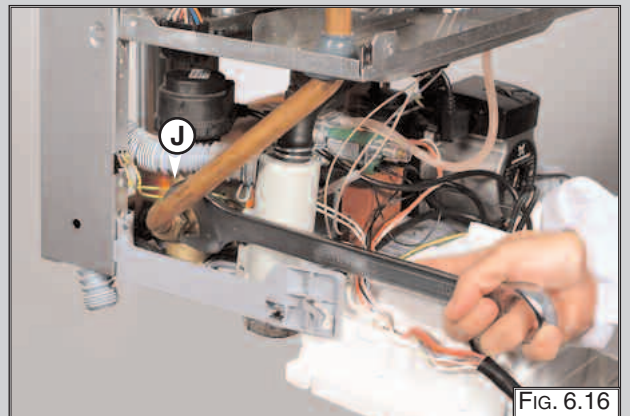


FIG. 6.16



FIG. 6.17

To replace, repeat the steps in reverse order, paying particular attention to the following:

- a** - Centre the electrode in the positioning hole carefully, otherwise the electrode may break;
- b** - Ensure that the left hand and right hand electrodes are located the correct way round (facing each other), to give the correct spark gap;
- c** - Check that the cables have been connected correctly;
- d** - Check that the rubber gasket seals the cable/ electrode connection point completely.

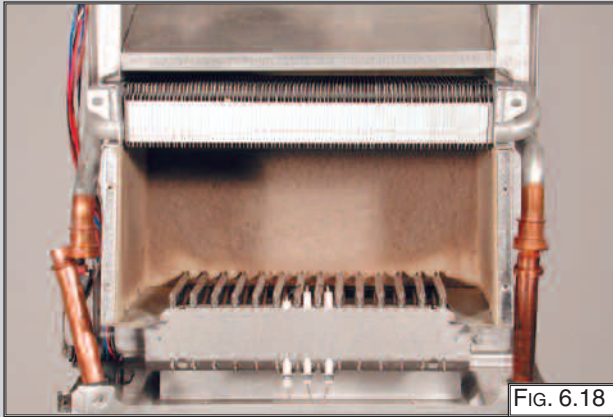


FIG. 6.18



FIG. 6.21

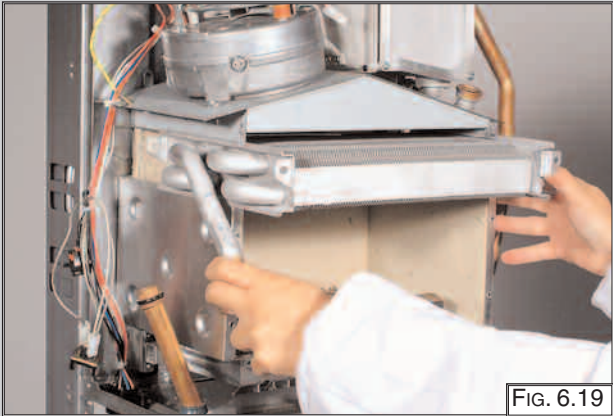


FIG. 6.19

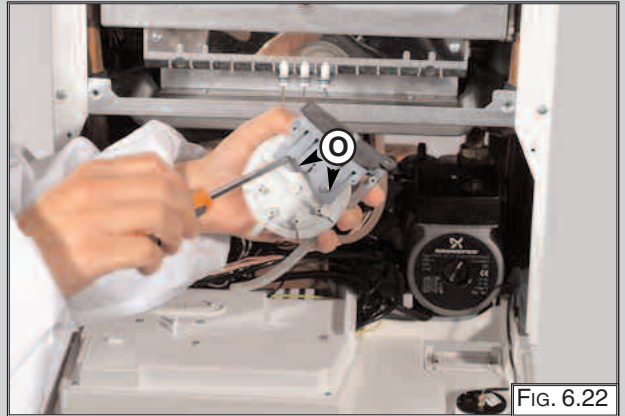


FIG. 6.22

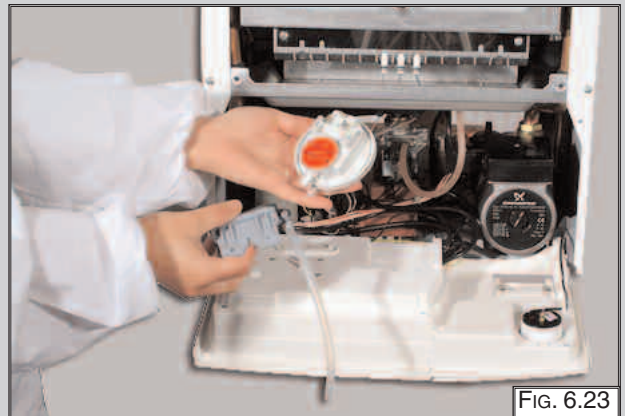


FIG. 6.23

6.3.5 Removing the air pressure switch

1. Disconnect the electrical connections "L" and silicone pipes "M" from their connection points (Fig. 6.20);
2. Remove screws "N" on the top of the sealed chamber (Fig. 6.21);
3. Lift out the air pressure switch;
4. Unscrew the two screws "O" to remove the switch from the plate (Fig. 6.22 - 6.23);
5. Reassemble in reverse order.

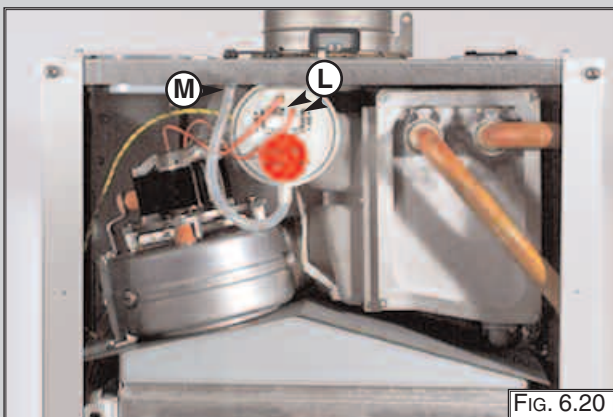
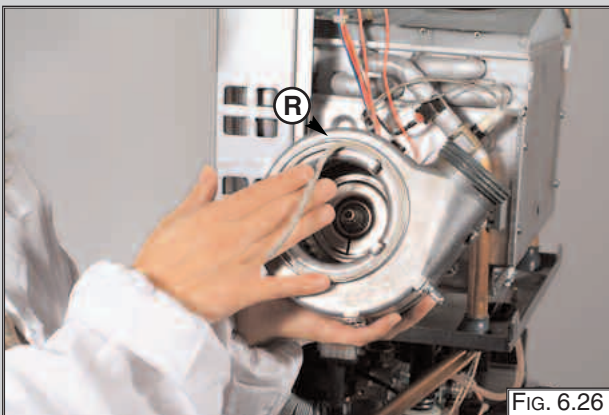
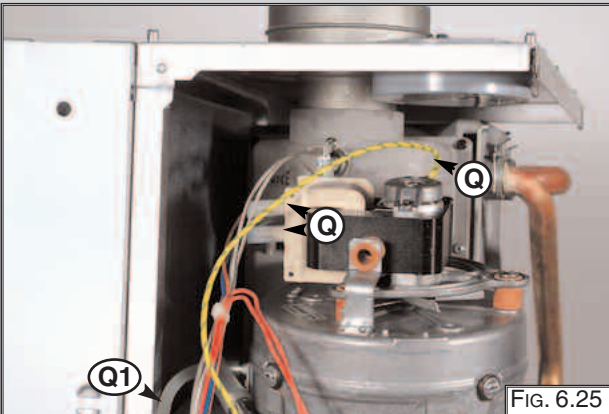
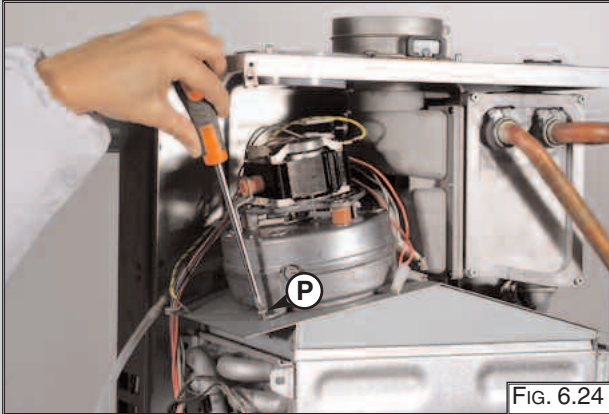


FIG. 6.20

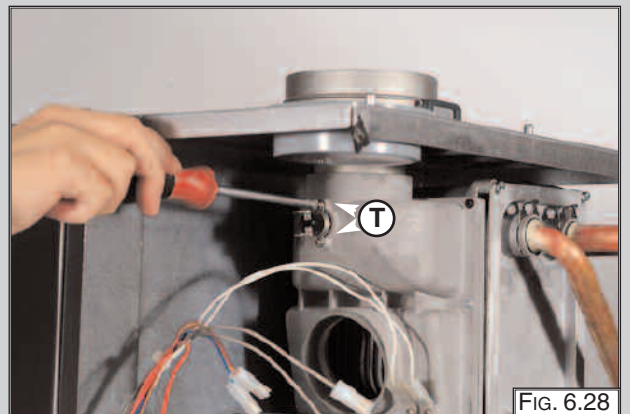
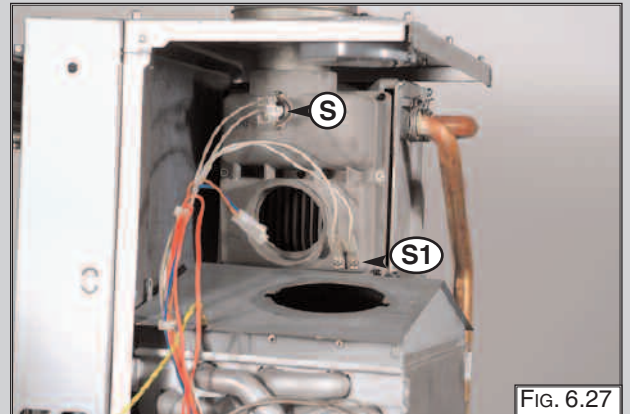
6.3.6 Removing the fan

1. Remove screw "P" (FIG.6.24);
2. Disconnect electrical connections "Q" and silicone pipe "Q1" (FIG.6.25);
3. Remove fan and gasket "R" (FIG.6.26).
4. Reassemble in reverse order, ensuring the gasket "R" is seated correctly.



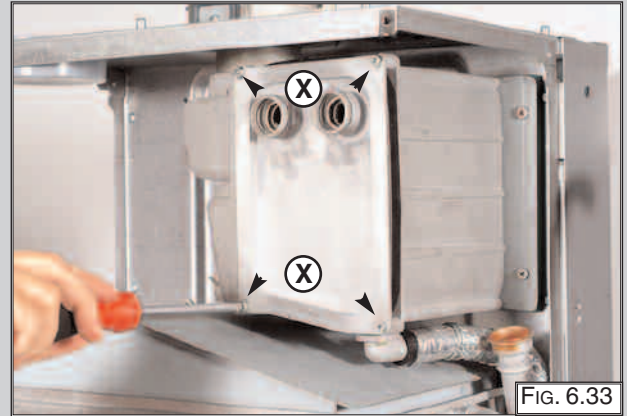
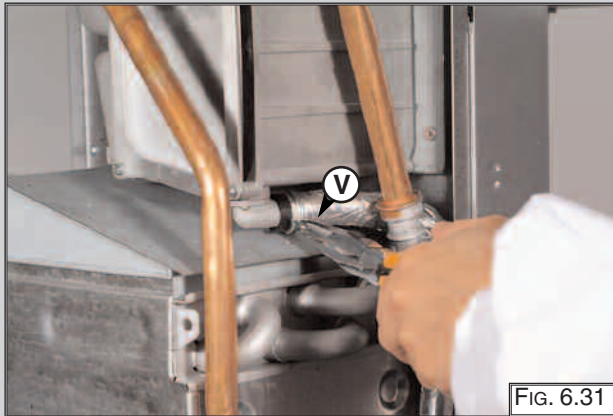
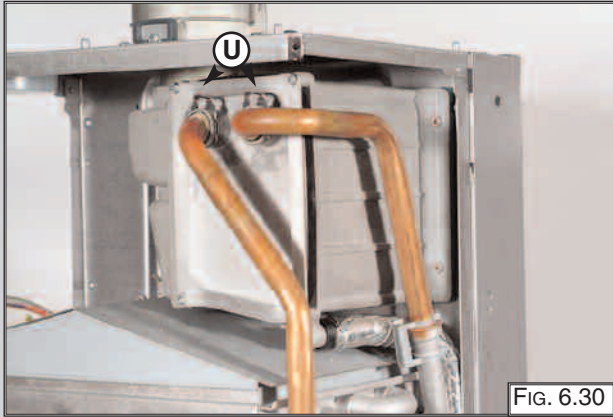
6.3.7 Removing the flue sensor and condensate sensor

1. To remove the flue sensor, disconnect electrical connections "S" (FIG.6.27);
2. Remove screws "T" and remove the flue sensor (FIG.6.28 - 6.29).
3. To remove the condensate sensor, remove screws "T1" and remove the condensate sensor (resistor wire) (FIG.6.27);



6.3.8 Removing the Recuperator

1. Remove the U-clips "U" (FIG.6.30);
2. Remove the clamp "V" to disconnect the condensate trap tube (FIG.6.31);
3. Loosen the nut "W" (FIG.6.32);
4. Remove the four screws "X" (FIG.6.33);
5. Remove the recuperator (FIG.6.34 - 6.35);
6. Reassembled in reverse order.

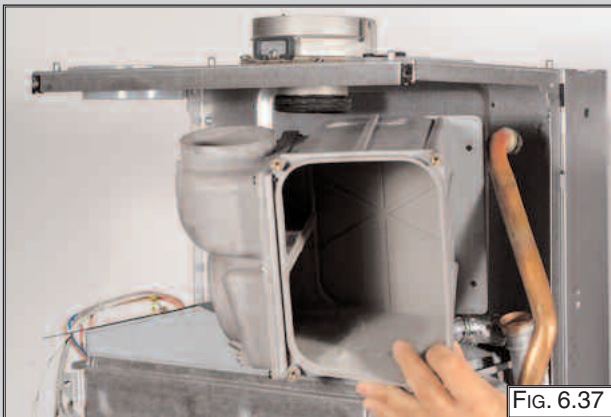
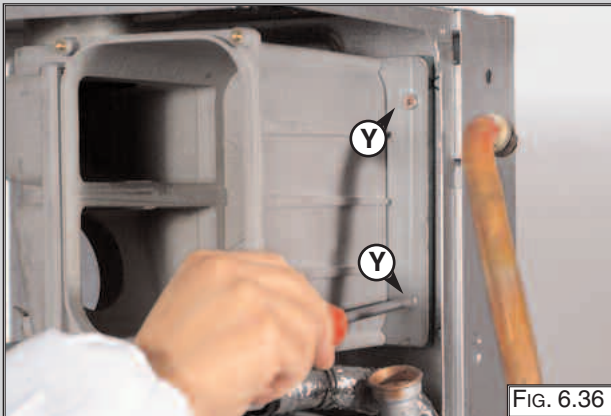


6.3.9 Removing the Recuperator Housing

1. Remove the recuperator - see paragraph. 6.3.8
2. Unscrew the two screws "Y" (Fig.6.36);
3. Remove the recuperator housing (Fig.6.37);
4. Reassemble in reverse order.

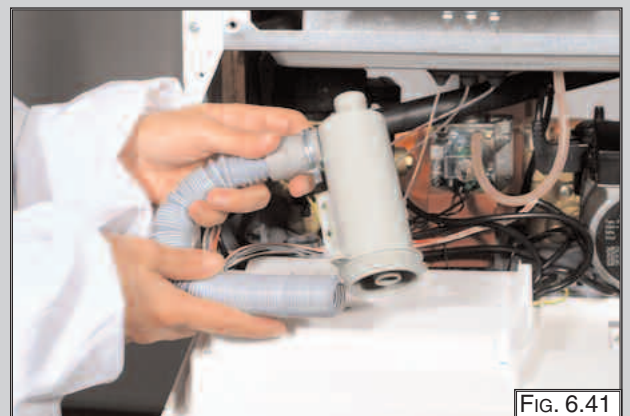
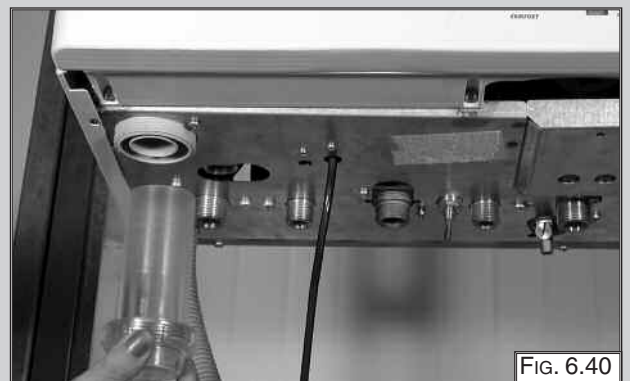
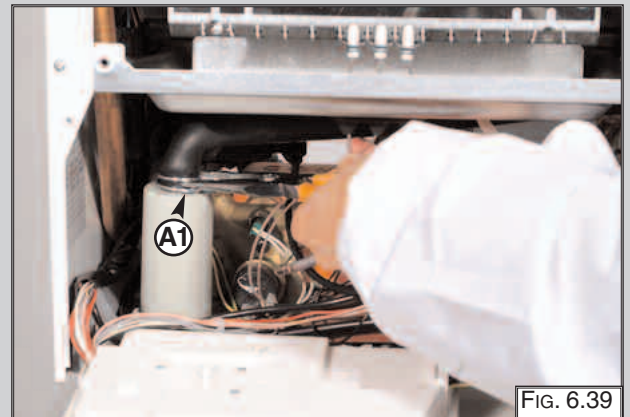
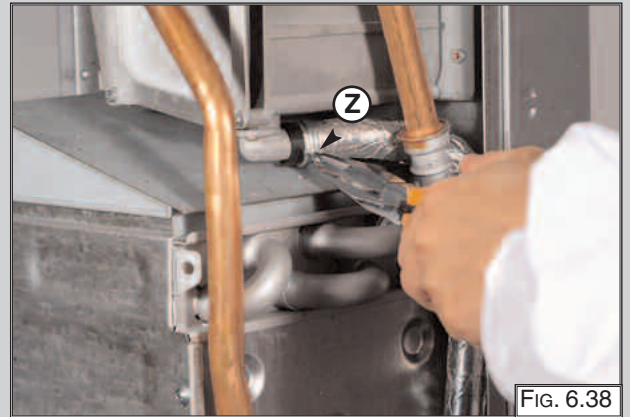
THE SIDE COVER OF THE RECUPERATOR MUST NOT BE REMOVED, THE TWO SCREWS ARE COVERED BY SECURITY PAINT, THERE IS A DANGER THAT FLUE GASSES COULD LEAK INTO THE ROOM IF THE FRONT COVER IS REMOVED.

SHOULD IT BE NECESSARY TO REMOVE THE RECUPERATOR, THE WHOLE UNIT MUST BE REMOVED.



6.3.10 Removing the Condensate Trap

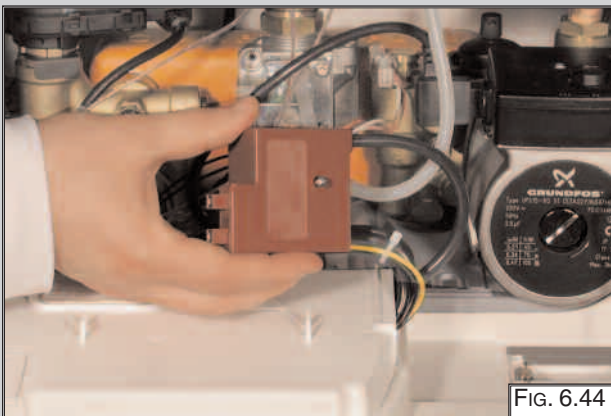
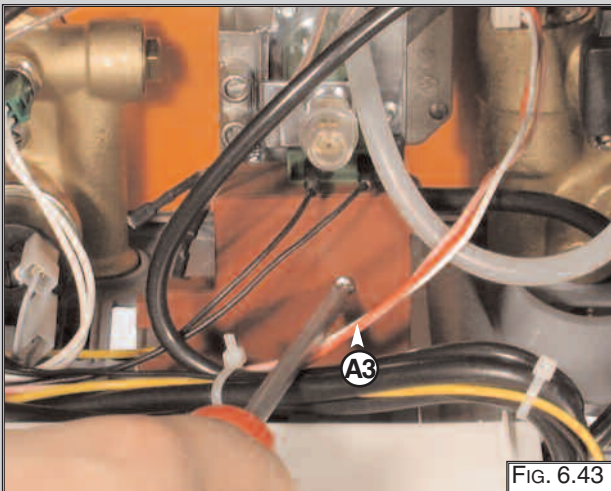
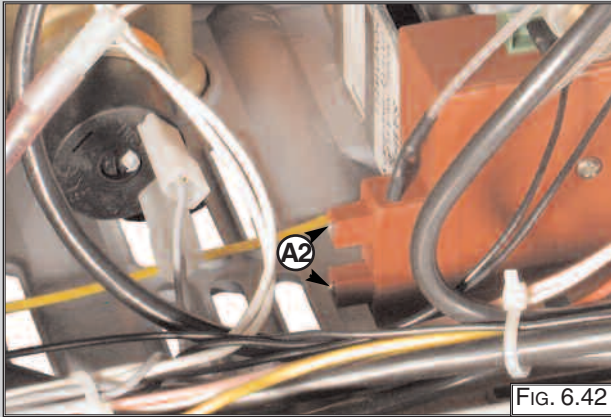
1. Remove the clamp "Z" (Fig.6.38);
2. Remove the clamp "A1" (Fig.6.39);
3. Unscrew and remove the trap from the boiler (Fig.6.40);
3. Remove the trap (Fig.6.41).
4. Reassemble in reverse order



6.4 ACCESS TO THE GAS VALVE

6.4.1. Removing the spark generator

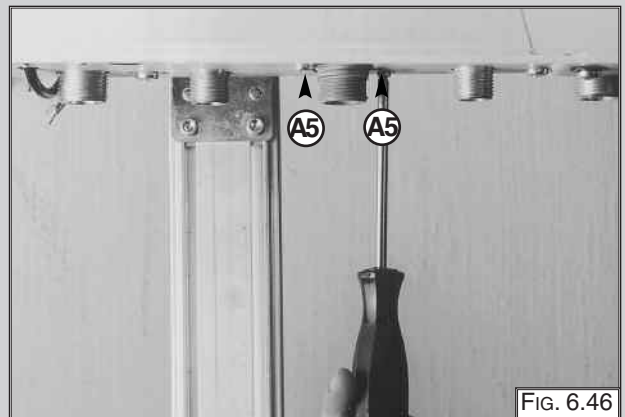
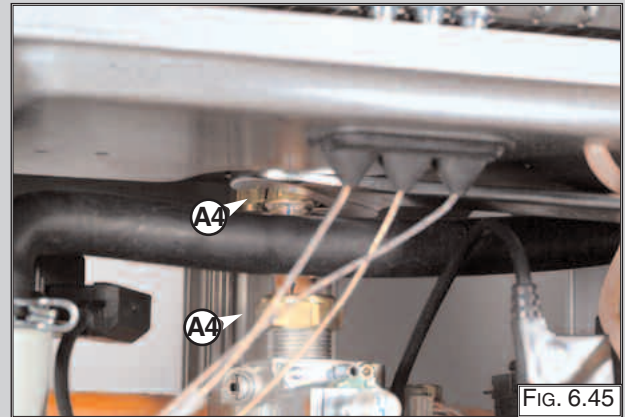
1. Disconnect the ignition leads "A2" by pulling upward (FIG. 6.42);
2. Remove the screw "A3" (FIG. 6.43);
3. Remove the spark generator by pulling forward from the gas valve (FIG. 6.44).



6.4.2 Removing the gas valve (Honeywell)

Important! Before removing the gas valve, ensure the gas supply is turned off.

1. Disconnect all the cables from the solenoid and modureg;
2. Remove the spark generator (see previous section);
3. Release the nuts "A4" (FIG. 6.45);
4. Remove the screws "A5" from the bottom of the gas valve (FIG. 6.46);
5. Remove the gas valve (FIG. 6.47).

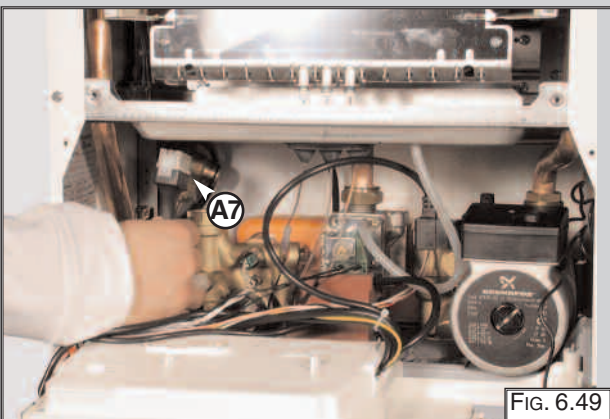
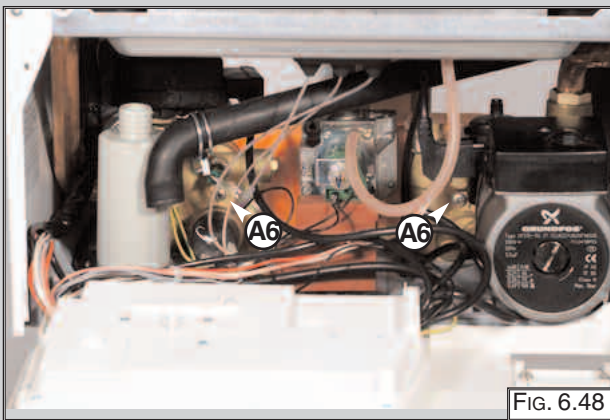
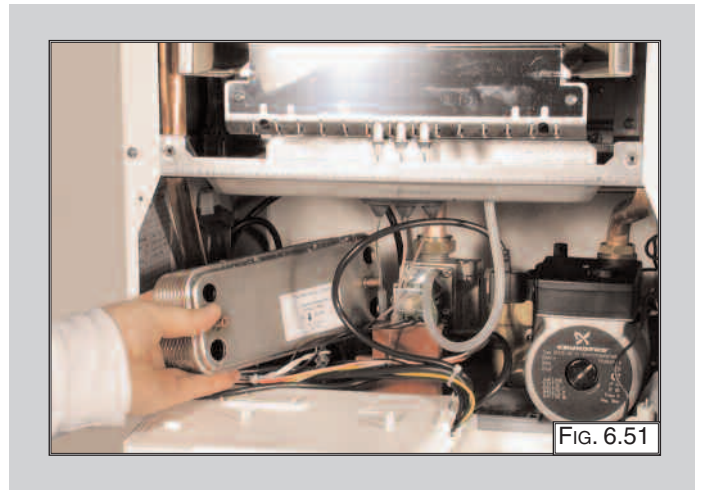


6.5 ACCESS TO THE WATER CIRCUIT

Important! Before any component is removed, the boiler must be drained of all water.

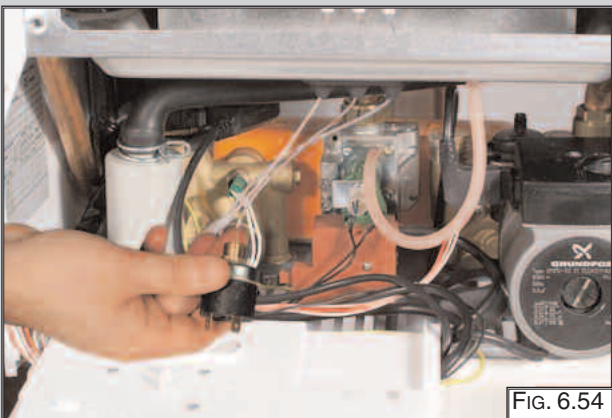
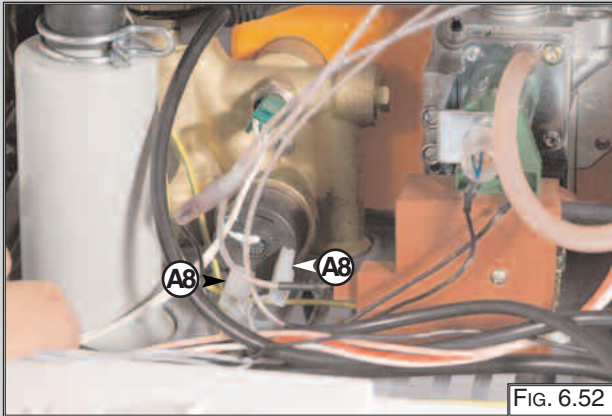
6.5.1 Removing the D.H.W. (secondary) exchanger

1. Remove the condensate trap - see Section. 6.3.10;
2. Remove the screws "A6" (FIG 6.48);
3. Disconnect the cable "A7" (FIG 6.49);
4. Push the insulation of the exchanger towards the rear of the boiler, and lift upwards and remove from the front of the boiler (FIG 6.50);
5. Push the exchanger towards the rear of the boiler, and lift upwards and remove from the front of the boiler (FIG 6.51);
6. Before replacing the exchanger ensure that the O-rings are in good condition and replace if necessary.



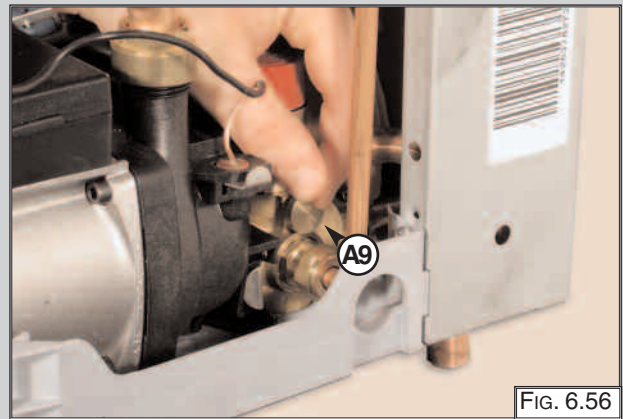
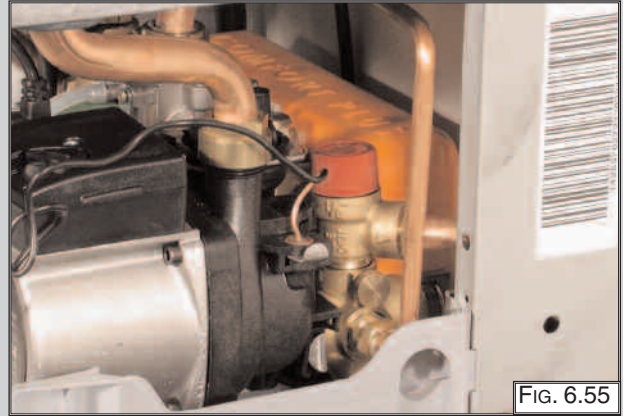
6.5.2 Removing the pump pressure switch

1. Remove the pump pressure switch electrical connections "A8" (FIG 6.52);
2. Unscrew the pump pressure switch by using a spanner on the nut (FIG 6.53);
3. Remove the pump pressure switch (FIG 6.54).



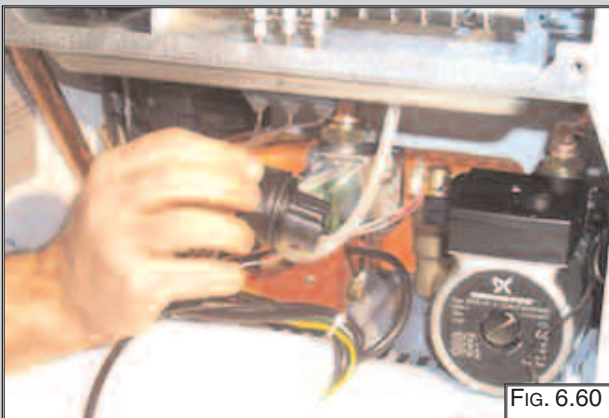
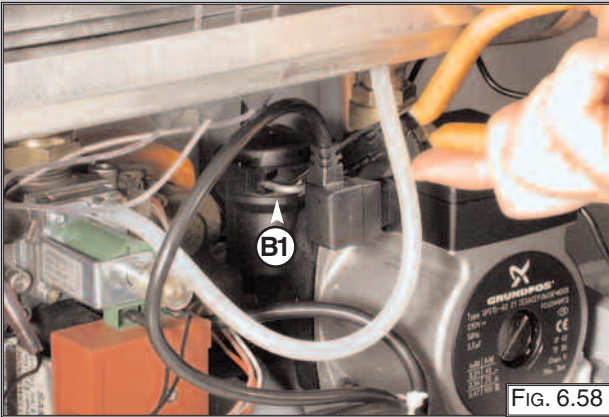
6.5.3 Removing the safety valve

1. Disconnect the discharge pipe work from below the boiler;
2. Unscrew the fixing screw "A9" (FIG. 6.56)
3. Pull the valve upwards to remove (FIG. 6.57).



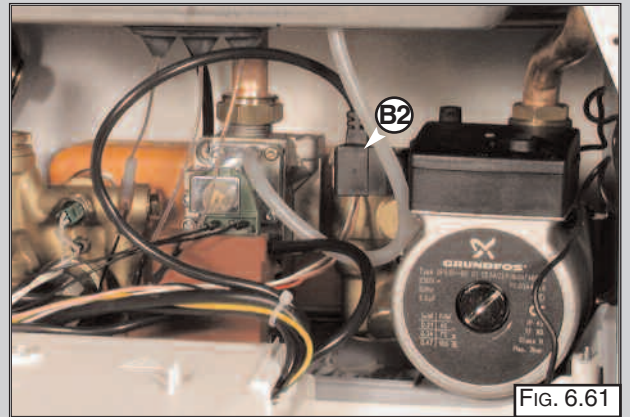
6.5.4 Removing the automatic air vent

1. Remove the U-clip "B1" (FIG. 6.58);
2. Remove valve complete with float using a screwdriver (FIG 6.59-FIG 6.60).



6.5.5 Removing the pump

1. Remove the electrical connection "B2" (FIG. 6.61);
2. Release the nut "B3" (FIG. 6.62);
3. Remove the retaining clip "B4" from the side of the pump housing (FIG. 6.63);
4. Remove the screw "B5" (FIG. 6.64);
5. Remove the U-clip "B6" and remove the pressure gauge connection (FIG. 6.65);
6. Remove the U-clip "B7" and remove the automatic air vent (FIG. 6.66);
7. Remove the pump.



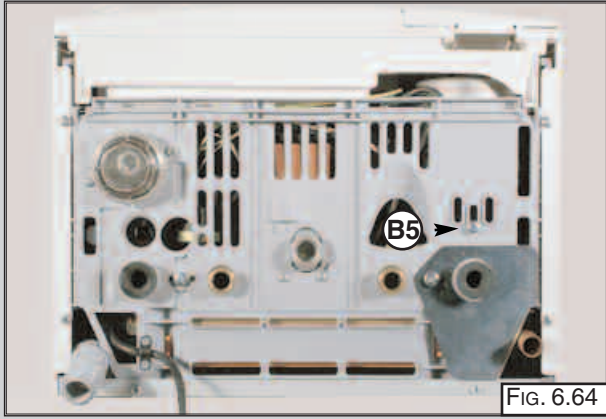


FIG. 6.64

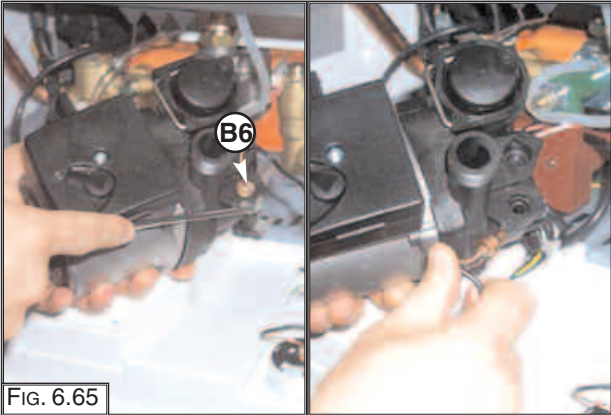


FIG. 6.65

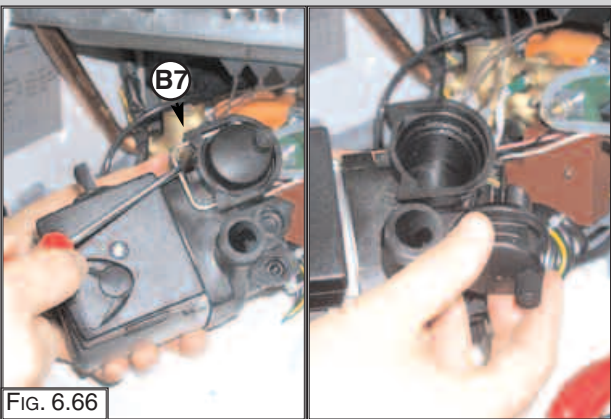


FIG. 6.66

6.5.6 Removing the pressure gauge

1. Remove the U-clip "B8" (FIG. 6.67)
2. Push the pressure gauge through the control panel from the rear using a screwdriver (FIG. 6.68-6.69).

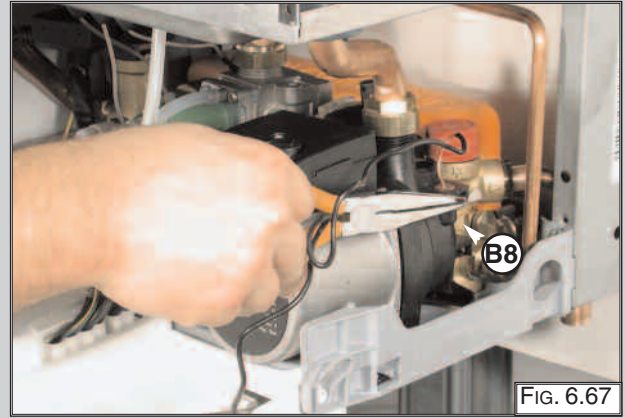


FIG. 6.67



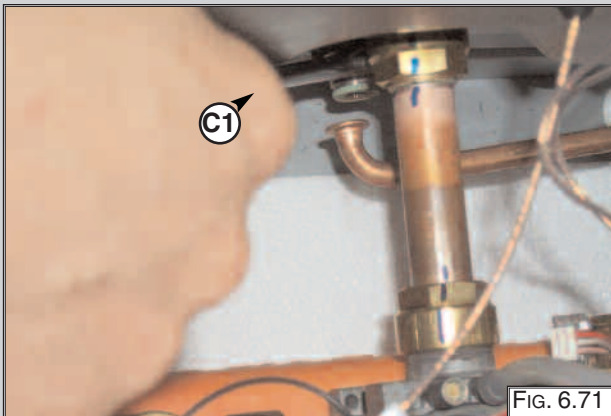
FIG. 6.68



FIG. 6.69

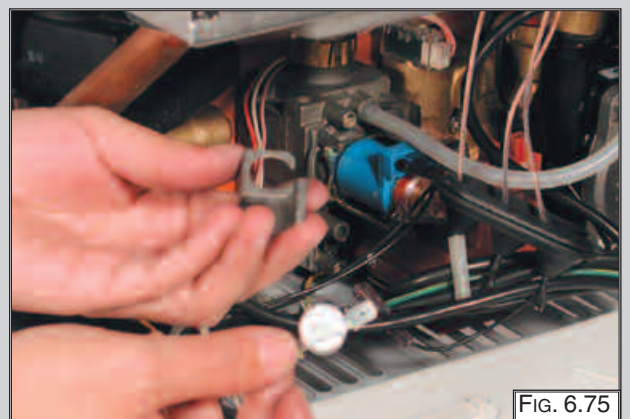
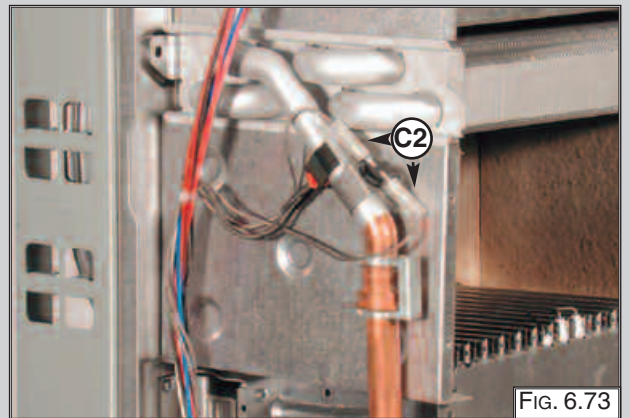
6.5.7 Removing the expansion vessel

1. If rear exit flue, remove the flue;
2. Release nut "B9" (FIG. 6.70);
3. Remove back-nut "C1" (FIG. 6.71);
4. Remove the expansion vessel (FIG. 6.72).



6.5.8 Removing the overheat thermostat

1. Disconnect the overheat thermostat electrical connections "C2" (FIG. 6.73);
2. Then remove the thermostat from its mounting by releasing the securing clip (FIG. 6.74-6.75).



6.5.9 Removing the C.H. temperature sensor (N.T.C.)

1. Pull off the electrical connector and remove the sensor probe using a suitable spanner (Fig. 6.76-6.77).



6.5.10 Removing the D.H.W. temperature sensor (N.T.C.)

1. Pull off the electrical connector and unscrew the sensor probe using a suitable spanner (Fig. 6.78).



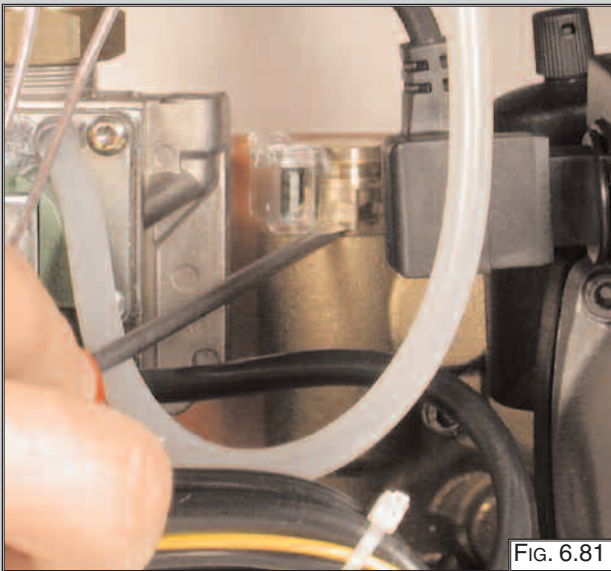
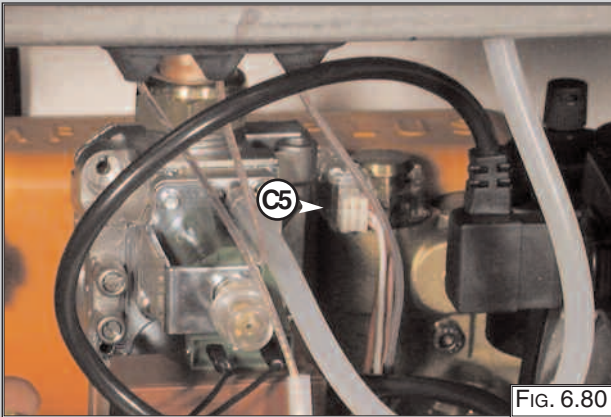
6.5.11 Removing the diverter valve actuator

1. Unplug the electrical connector "C3" (Fig. 6.79);
2. Release the retaining clip "C4" and remove the diverter valve actuator



6.5.12 Removing the D.H.W. flow switch

1. Unplug the electrical connector "C5" (FIG. 6.80);
2. Remove the D.H.W. flow switch using a screwdriver (FIG. 6.81-6.82).

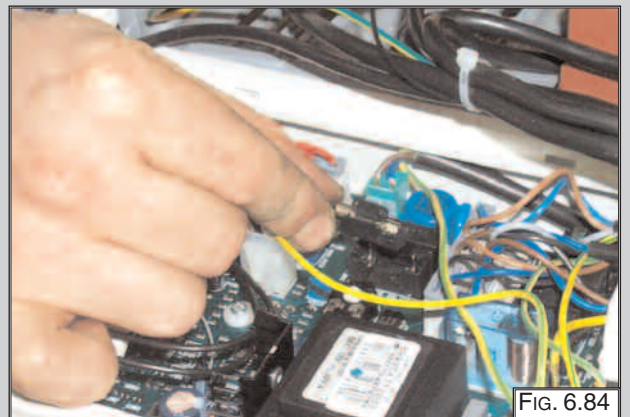
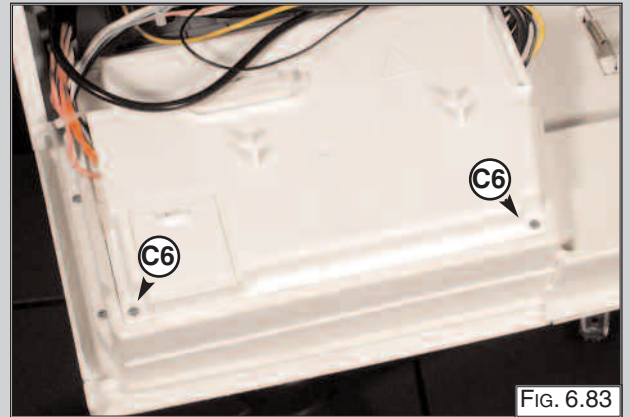


6.6 ACCESS TO THE CONTROL SYSTEM

Important! Isolate the electrical supply to the boiler before accessing the control panel.

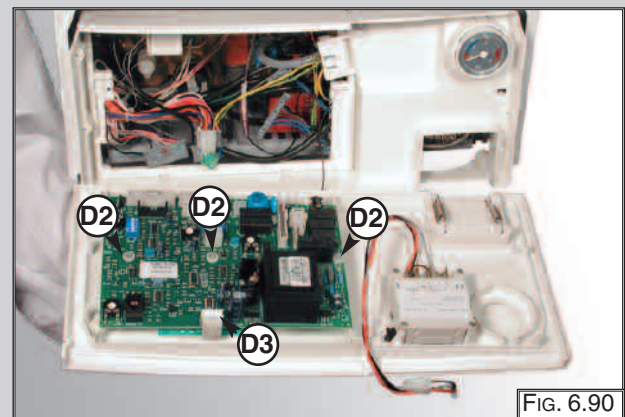
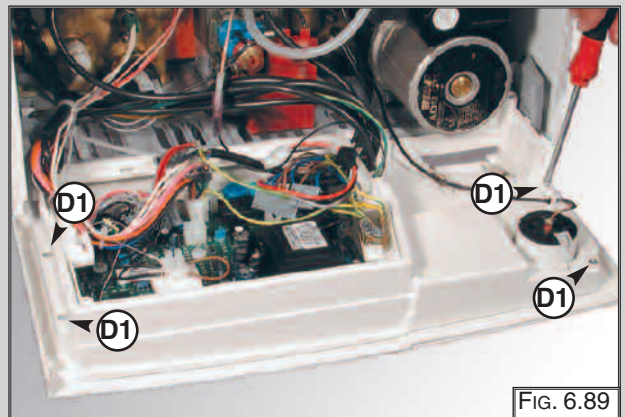
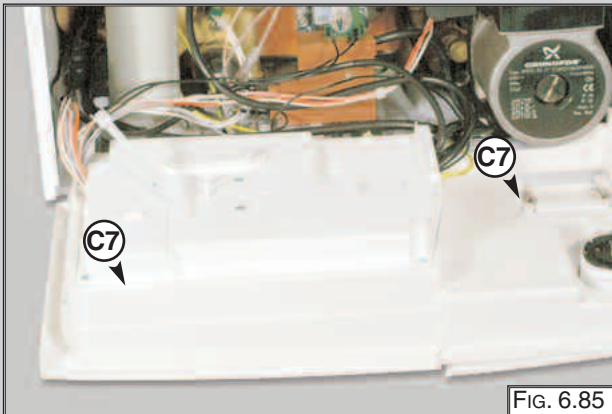
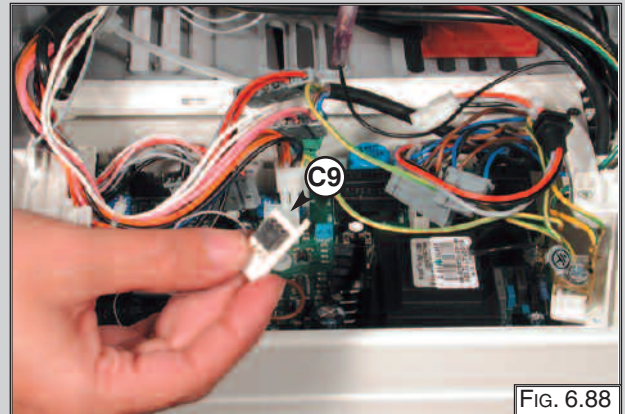
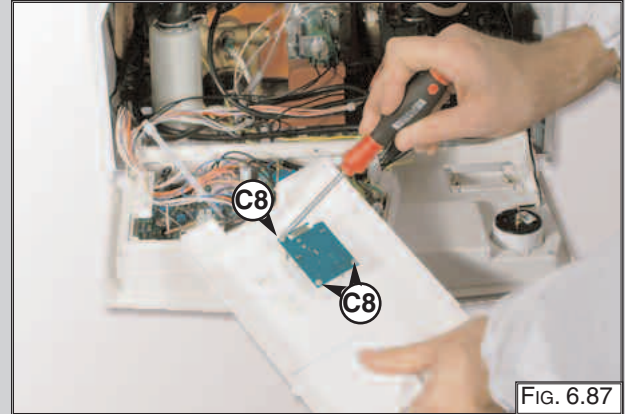
6.6.1 Checking the fuses

1. Remove the inspection cover on the reverse of the control panel and unscrew the screws "C6" (FIG. 6.83);
2. Remove the fuses (FIG. 6.84).



6.6.2 Removing the P.C.B.

1. Isolate electricity;
2. Remove the inspection cover from the reverse of the control panel, unscrew the screws "C7" (FIG. 6.85);
3. Unplug all electrical connections from the recuperator P.C.B on the reverse of inspection cover (FIG. 6.86);
4. Unscrew the recuperator P.C.B mounting screws "C8" (FIG. 6.87);
5. Unplug the electrical connection from the P.C.B.;
6. Unplug carefully the EEPROM "C9" (FIG. 6.88);
7. Remove the screws "D1" (FIG. 6.89);
8. Separate the facia panel from the rear of the control panel ;
9. Remove the main P.C.B., unscrew the screws "D2", and disconnect the P.C.B. connection cable "D3" (FIG. 6.90)
10. Unscrew the display P.C.B. mounting screws "D4" (FIG. 6.91);
11. Remove the display P.C.B. (FIG. 6.92);
12. Replace either P.C.B. in reverse order;
13. Use the correct EEPROM key "C9" supplied with the new spare part.



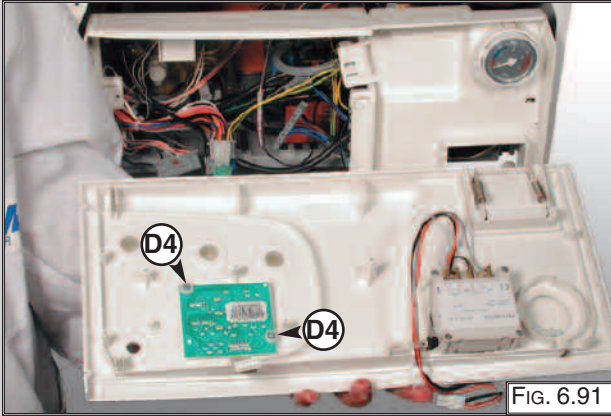


FIG. 6.91

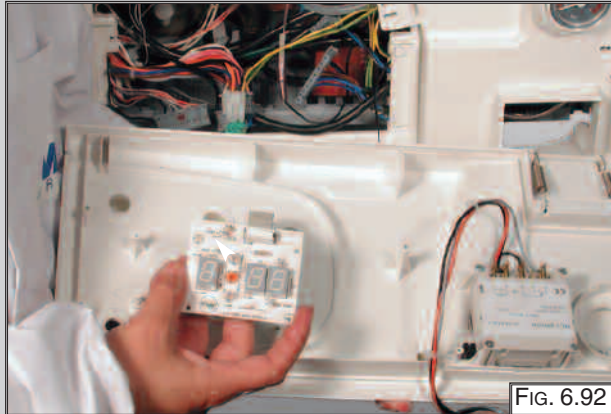


FIG. 6.92

6.6.3 Removing the time clock

1. Disconnect the electrical connections "D5" from the clock (FIG. 6.93);
2. Remove screws "D6" (FIG. 6.93);
3. Lift out the time clock from the control panel (FIG. 6.94).

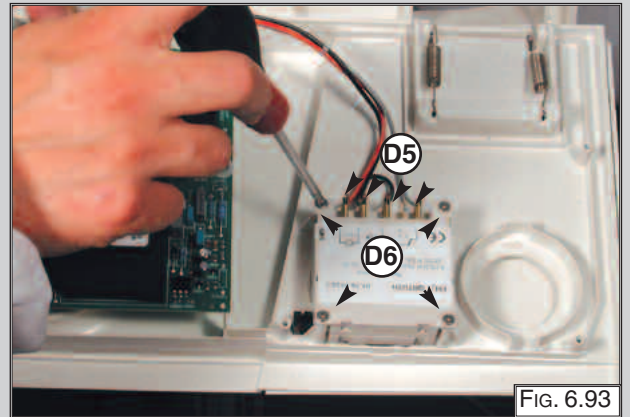


FIG. 6.93

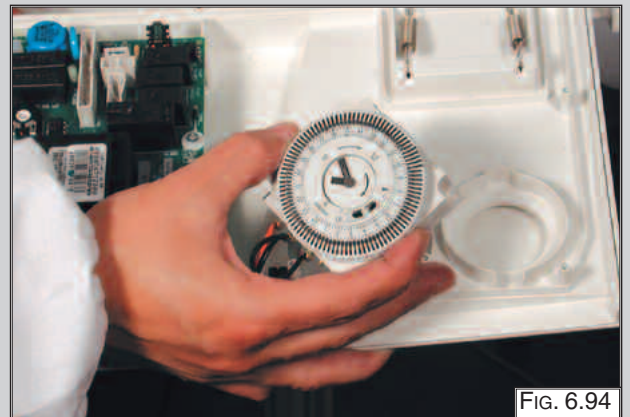


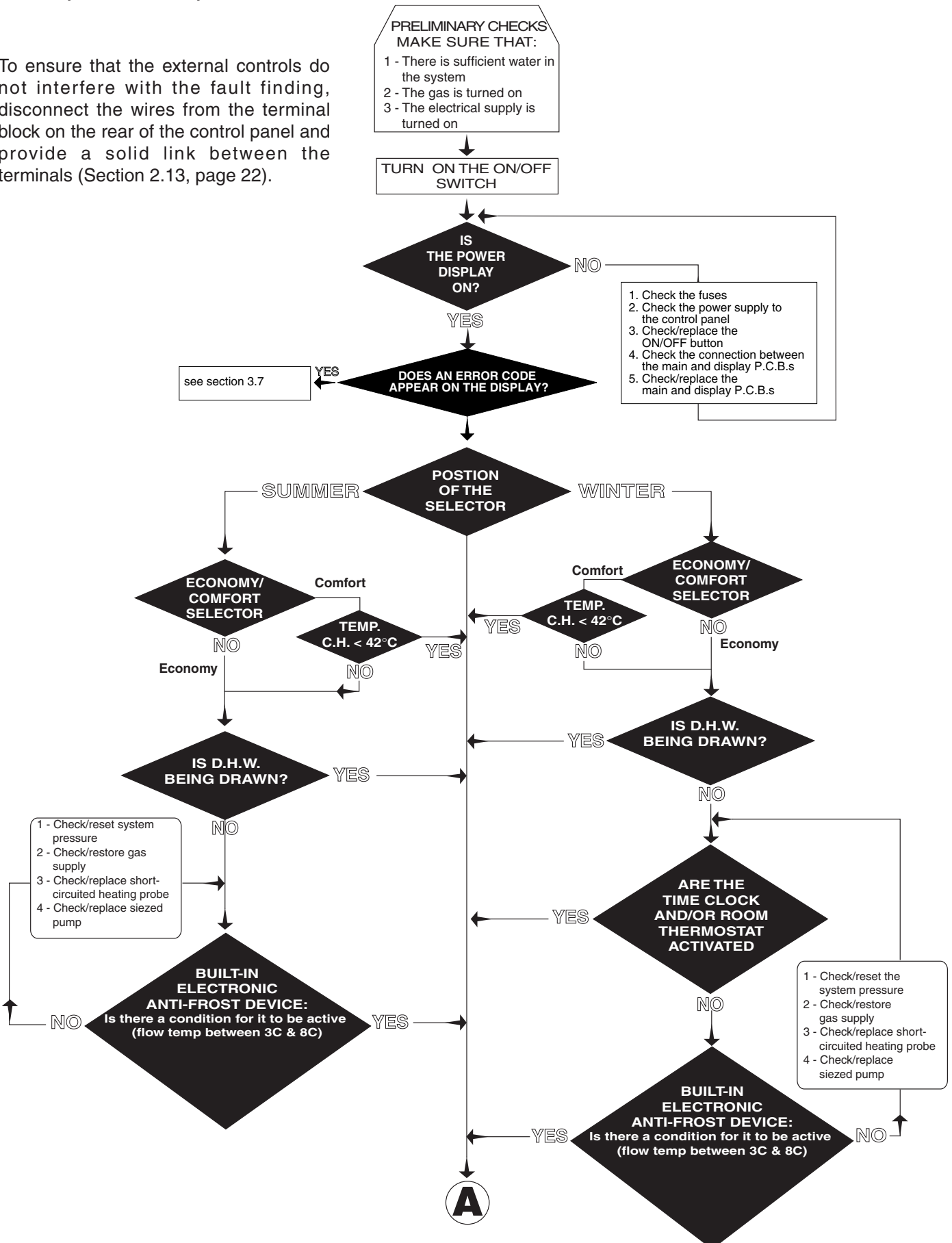
FIG. 6.94

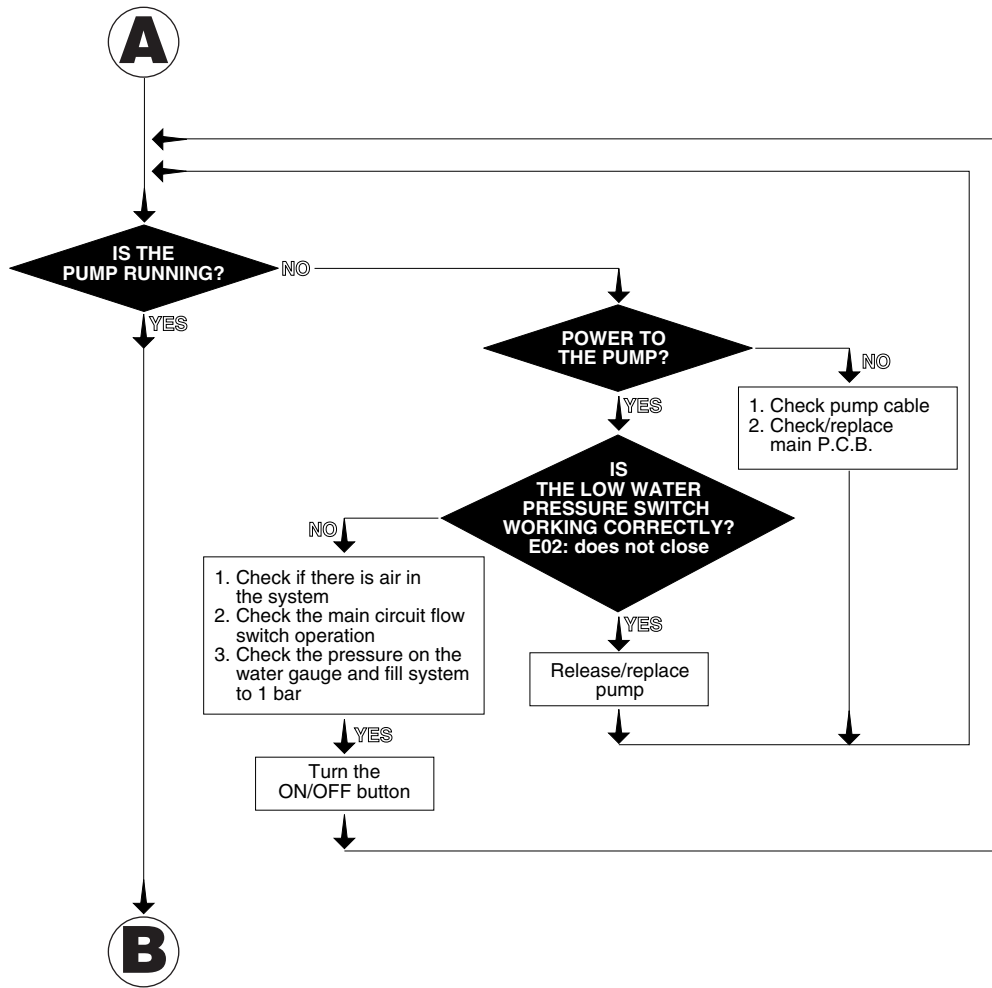
7. FAULT FINDING

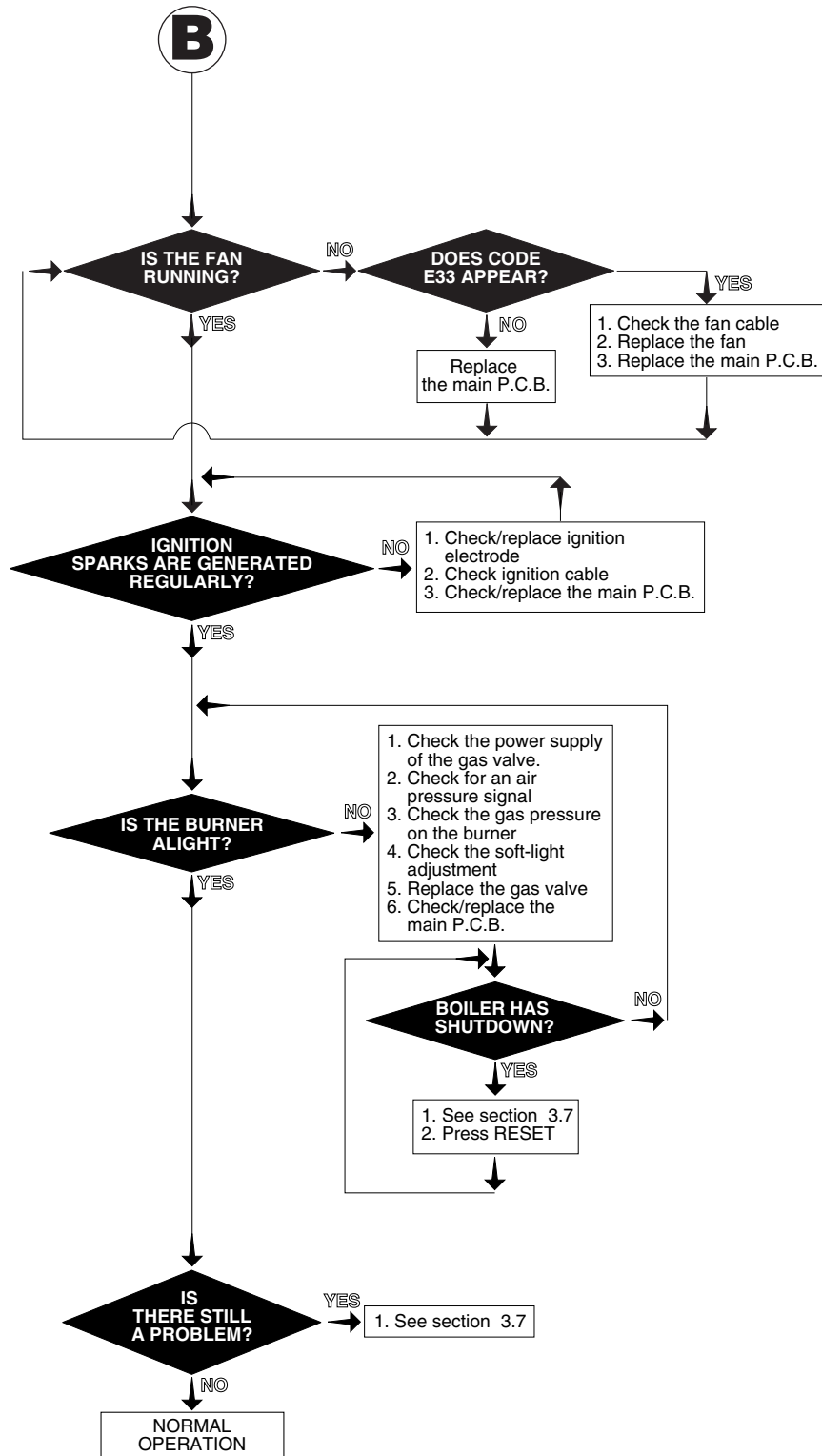
These fault finding guides are not exhaustive. However, it is possible to detect and correct many defects by using the standard fault finding diagrams described in this chapter, ensure these guides are carried out in the set order.

7.1 FAULT FINDING GUIDE (FLOW-CHARTS)

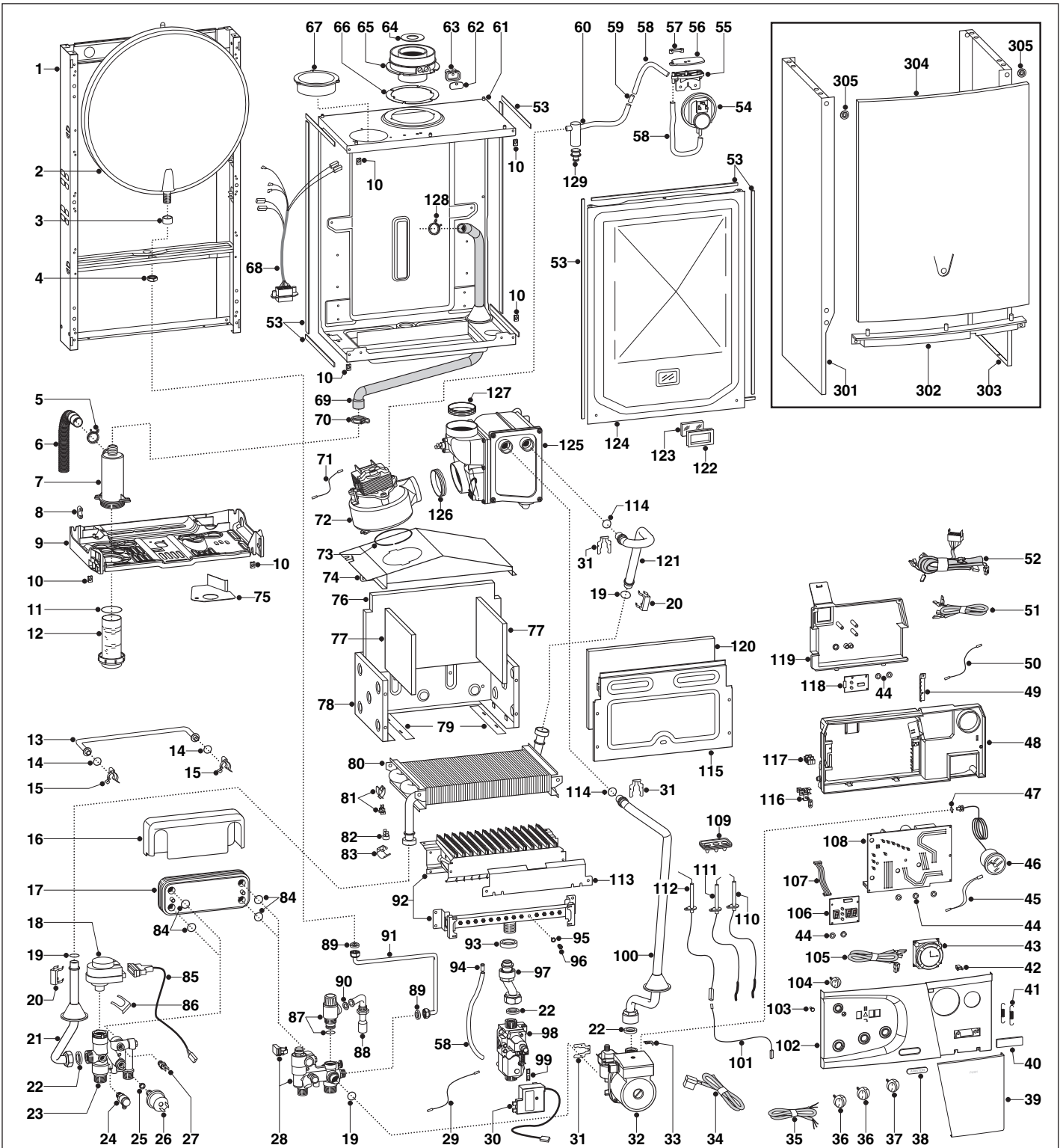
To ensure that the external controls do not interfere with the fault finding, disconnect the wires from the terminal block on the rear of the control panel and provide a solid link between the terminals (Section 2.13, page 22).



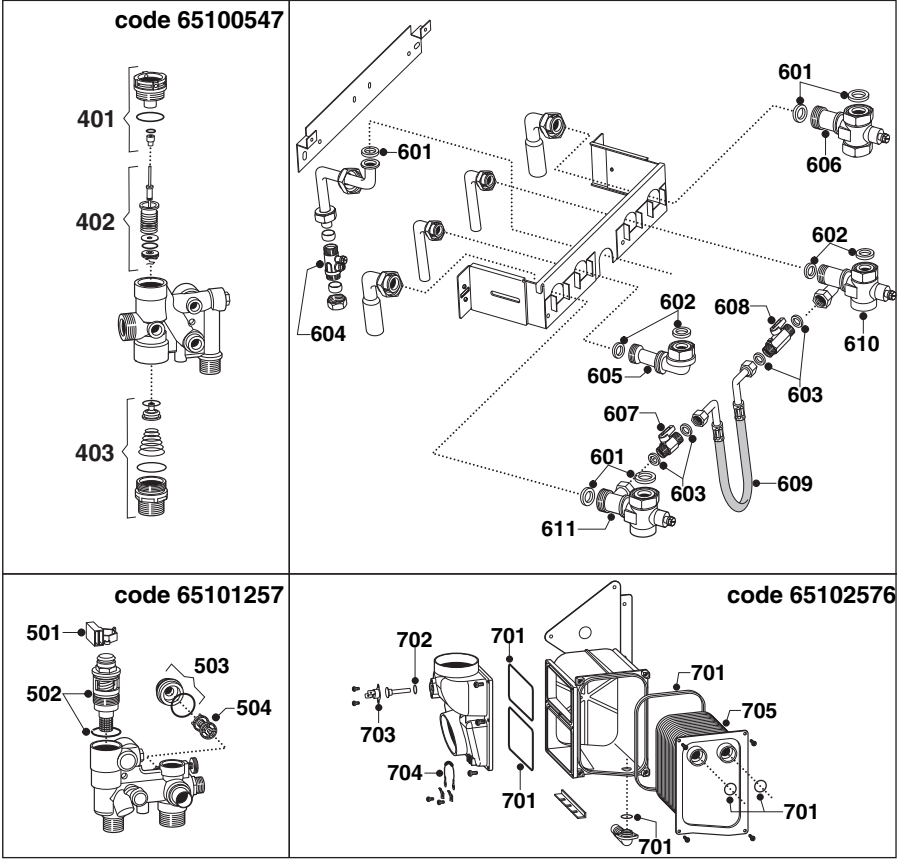




8. SHORT SPARE PART LIST



MODEL	CODE	SERIAL NO. VALIDITY	REF.
MICROGENUS 24 MFFI HE (UK) NG	3300025	2320429900001	A
MICROGENUS 28 MFFI HE (UK) NG	3300015	2320429900001	B
MICROGENUS 32 MFFI HE (UK) NG	3300026	2320429900001	C



Key no.	G.C. part no.	Description	ARISTON Part. No.
18		Motor (3-Way Valve)	997147
19		O-Ring	998424
22		Gasket (3/4")	573520
25		Gasket (1/4")	569390
26		Low Water Pressure Switch	998458
27		Temperature probe (DHW)	998458
30		Spark Generator	65100249
32		Pump	65101417
43		Clock	999599
46		Pressure Gauge	65100695
54		Air Pressure Switch	65102164
72		Fan (24 kW)	65102566
72		Fan (28 / 32 kW)	65102567
73		Seal (Silicone)	990368
80		Main Exchanger (24kW)	65102586
80		Main Exchanger (28 / 32 kW)	65102585
81		Temperature Probe & Clip	990686
82		Overheat Thermostat	990605
84		O-Ring (Secondary Exchanger)	573825
87		Safety Valve (3 bar)	997088
89		Gasket (3/8")	573521
90		Gasket (1/2")	573528
93		Silicone Seal	569443
106		P.C.B. (CMP3 - display)	65100709
108		P.C.B. (main)	65102571
110		Electrode Ignition (R.H.)	65100693
111		Electrode Ignition (L.H.)	65100694
112		Electrode (detection)	65100692
118		P.C.B. (condense sensor)	65102572
126		Gasket (Fan/Recuperator)	573343
127		Gasket (Recuperator/Flue Outlet)	65102565

9. TECHNICAL INFORMATION

General Info	Name		microGENUS HE 24 MFFI	microGENUS HE 28 MFFI
	CE Certification		0051BP2805	0051BP2805
Flue Type			C12-C32-C42-C52-C82-B22-B32	C12-C32-C42-C52-C82-B22-B32
Energy Performance	Heat Input max/min	kW	26.7 / 12.2	31.1 / 13.3
	Heat Output max/min	kW	23.3 / 10.4	27.0 / 11.4
	Efficiency of Nominal Heat Input (60/80°C)	%	87.4	86.7
	Efficiency of Nominal Heat Input (30/50°C)	%	87.4	86.7
	Efficiency at 30% of Nominal Heat Input (30°C)	%	87.1	86.5
	Efficiency at Minimum Input	%	85.3	85.2
	Efficiency (Dir. 92/42/EEC)**		☆☆☆☆☆	☆☆☆☆☆
	SEDBUK Rating	Band (%)	B (87.6)	B (87.1)
Heat Loss to the Casing (ΔT=50°C)	%	0.2	0.9	
Emissions	Max Discharge of Products of Combustion (G20)	Kg/h	43.8	57.2
	Residual Discharge Head	mbar	0.68	0.73
	Temp. of exhaust fumes at nominal capacity	°C	72	65
	CO ₂ Content	%	7.62	6.79
	O ₂ Content	%	6.8	8.3
	CO Content	ppm	44	25.8
	Nox Class		3	3
Central Heating	Head Loss on Water Side (max) (ΔT=20°C)	mbar	200	200
	Residual Head of System	bar	0.25	0.25
	Expansion Vessel Pre-load Pressure	bar	0.7	0.7
	Maximum Heating Pressure	bar	3	3
	Expansion Vessel Capacity	l	7	7
	Maximum Water Content of System	l	130	130
	Heating Temperature max/min (High temperature)	°C	82 / 42	82 / 42
	Heating Temperature max/min (Low Temperature)	°C	44 / 38	44 / 38
Domestic Hot Water	Domestic Hot Water Temperature (approx) max/min	°C	56 / 36	56 / 36
	Specific Flow Rate (10 minutes/ΔT 30°C)	l/min	11.1	12.9
	D.H.W. Flow Rate ΔT=25°C	l/min	13.4	15.5
	D.H.W. Flow Rate ΔT=35°C	l/min	9.5	11.0
	D.H.W. Minimum Flow Rate	l/min	2.5	2.5
	Pressure of Domestic Hot Water max/min	bar	6 / 0.2	6 / 0.2
	Max. Condensate produced	l/h	1.7	1.8
PH of condensate		4	4	
Gas	Nominal Pressure	Natural Gas (G20)	bar	20
		LPG (G30 / G31)	bar	28-30/37
	Consumption at Nominal Capacity (G20)		m ³ /h	2.54
		(G30 / G31)	kg/h	1.89 / 1.86
Gas Consumption after 10 Minutes*		m ³	0.30	
Electrical Data	Electrical Supply	V/Hz	230/50	230/50
	Power Consumption	W	120	148
	Minimum Ambient Temperature	°C	+5	+5
	Protection Grade of Electrical System	IP	24D	24D
	Internal Fuse Rating		2A FAST 250Vac	2A FAST 250Vac
	Weight	Kg	37	38
Dimensions (W/D/H)	mm	700/400/315	700/400/315	
G.C. Number			47-116-37	47-116-38

* Calculated at 70% maximum output

** Calculated on Upper calorific value

General Info	Name		microGENUS HE 32 MFFI	
	CE Certification		0051BP2805	
	Flue Type		C ₁₂ -C ₃₂ -C ₄₂ -C ₅₂ -C ₈₂ -B ₂₂ -B ₃₂	
Energy Performance	Heat Input max/min	kW	35.0 / 13.3	
	Heat Output max/min	kW	30.5 / 11.3	
	Efficiency of Nominal Heat Input (60/80°C)	%	87.1	
	Efficiency of Nominal Heat Input (30/50°C)	%	87.1	
	Efficiency at 30% of Nominal Heat Input (30°C)	%	86.9	
	Efficiency at Minum Input	%	84.8	
	Efficiency (Dir. 92/42/EEC)**		☆☆☆☆	
	SEDBUK Rating	Band (%)	B (87.3)	
	Heat Loss to the Casing (ΔT=50°C)	%	0.7	
Emissions	Max Discharge of Products of Combustion (G20)	Kg/h	59.2	
	Residual Discharge Head	mbar	1.15	
	Temp. of exhaust fumes at nominal capacity	°C	64.5	
	CO ₂ Content	%	7.39	
	O ₂ Content	%	7.2	
	CO Content	ppm	57.8	
	Nox Class		3	
Central Heating	Head Loss on Water Side (max) (ΔT=20°C)	mbar	200	
	Residual Head of System	bar	0.25	
	Expansion Vessel Pre-load Pressure	bar	0.7	
	Maximum Heating Pressure	bar	3	
	Expansion Vessel Capacity	l	7	
	Maximum Water Content of System	l	130	
	Heating Temperature max/min (High temperature)	°C	82 / 42	
Heating Temperature max/min (Low Temperature)	°C	44 / 38		
Domestic Hot Water	Domestic Hot Water Temperature (approx) max/min	°C	56 / 36	
	Specific Flow Rate (10 minutes/ΔT 30°C)	l/min	14.6	
	D.H.W. Flow Rate ΔT=25°C	l/min	17.5	
	D.H.W. Flow Rate ΔT=35°C	l/min	12.5	
	D.H.W. Minimum Flow Rate	l/min	2.5	
	Pressure of Domestic Hot Water max/min	bar	6 / 0.2	
	Max. Condensate produced	l/h	2.2	
	PH of condensate		4	
Gas	Nominal Pressure	Natural Gas (G20)	mbar	20
		LPG (G30 / G31)	mbar	28-30/37
	Consumption at Nominal Capacity (G20)		m ³ /h	3,33
		(G30 / G31)	kg/h	2.48 / 2.45
	Gas Consumption after 10 Minutes*		m ³	0.39
Electrical Data	Electrical Supply	V/Hz	230/50	
	Power Consumption	W	148	
	Minimum Ambient Temperature	°C	+5	
	Protection Grade of Electrical System	IP	24D	
	Internal Fuse Rating		2A FAST 250Vac	
	Weight	Kg	39	
	Dimensions (W/D/H)	mm	700/400/315	
	G.C. Number		47-116-39	

* Calculated at 70% maximum output

** Calculated on Upper calorific value

10. BENCHMARK COMMISSIONING CHECKLIST

BENCHMARK No. | | | | | | | |



GAS BOILER COMMISSIONING CHECKLIST

BOILER SERIAL No. _____ NOTIFICATION No. _____

CONTROLS To comply with the Building Regulations, each section must have a tick in one or other of the boxes

TIME & TEMPERATURE CONTROL TO HEATING	ROOM T/STAT & PROGRAMMER/TIMER <input type="checkbox"/>	PROGRAMMABLE ROOMSTAT <input type="checkbox"/>
TIME & TEMPERATURE CONTROL TO HOT WATER	CYLINDER T/STAT & PROGRAMMER/TIMER <input type="checkbox"/>	COMBI BOILER <input type="checkbox"/>
HEATING ZONE VALVES	FITTED <input type="checkbox"/>	NOT REQUIRED <input type="checkbox"/>
HOT WATER ZONE VALVES	FITTED <input type="checkbox"/>	NOT REQUIRED <input type="checkbox"/>
THERMOSTATIC RADIATOR VALVES	FITTED <input type="checkbox"/>	
AUTOMATIC BYPASS TO SYSTEM	FITTED <input type="checkbox"/>	NOT REQUIRED <input type="checkbox"/>

FOR ALL BOILERS CONFIRM THE FOLLOWING

THE SYSTEM HAS BEEN FLUSHED IN ACCORDANCE WITH THE BOILER MANUFACTURER'S INSTRUCTIONS?

THE SYSTEM CLEANER USED _____

THE INHIBITOR USED _____

FOR THE CENTRAL HEATING MODE, MEASURE & RECORD

GAS RATE _____ m³/hr _____ ft³/hr

BURNER OPERATING PRESSURE (IF APPLICABLE) N/A _____ mbar

CENTRAL HEATING FLOW TEMPERATURE _____ °C

CENTRAL HEATING RETURN TEMPERATURE _____ °C

FOR COMBINATION BOILERS ONLY

HAS A WATER SCALE REDUCER BEEN FITTED? YES NO

WHAT TYPE OF SCALE REDUCER HAS BEEN FITTED? _____

FOR THE DOMESTIC HOT WATER MODE, MEASURE & RECORD

GAS RATE _____ m³/hr _____ ft³/hr

MAXIMUM BURNER OPERATING PRESSURE (IF APPLICABLE) N/A _____ mbar

COLD WATER INLET TEMPERATURE _____ °C

HOT WATER OUTLET TEMPERATURE _____ °C

WATER FLOW RATE _____ lts/min

FOR CONDENSING BOILERS ONLY CONFIRM THE FOLLOWING

THE CONDENSATE DRAIN HAS BEEN INSTALLED IN ACCORDANCE WITH THE MANUFACTURER'S INSTRUCTIONS? YES

FOR ALL INSTALLATIONS CONFIRM THE FOLLOWING

THE HEATING AND HOT WATER SYSTEM COMPLIES WITH CURRENT BUILDING REGULATIONS

THE APPLIANCE AND ASSOCIATED EQUIPMENT HAS BEEN INSTALLED AND COMMISSIONED IN ACCORDANCE WITH THE MANUFACTURER'S INSTRUCTIONS

IF REQUIRED BY THE MANUFACTURER, HAVE YOU RECORDED A CO/CO₂ RATIO READING? N/A YES CO/CO₂ RATIO _____

THE OPERATION OF THE APPLIANCE AND SYSTEM CONTROLS HAVE BEEN DEMONSTRATED TO THE CUSTOMER

THE MANUFACTURER'S LITERATURE HAS BEEN LEFT WITH THE CUSTOMER

COMMISSIONING ENG'S NAME PRINT _____ CORGI ID No. _____

SIGN _____ DATE _____

11. SERVICE INTERVAL RECORD

SERVICE INTERVAL RECORD

It is recommended that your heating system is serviced regularly and that you complete the appropriate Service Interval Record Below.

Service Provider. Before completing the appropriate Service Interval Record below, please ensure you have carried out the service as described in the boiler manufacturer's instructions. Always use the manufacturer's specified spare part when replacing all controls

SERVICE 1 DATE

ENGINEER NAME

COMPANY NAME

TEL No.

CORGI ID CARD SERIAL No.

COMMENTS

SIGNATURE

SERVICE 2 DATE

ENGINEER NAME

COMPANY NAME

TEL No.

CORGI ID CARD SERIAL No.

COMMENTS

SIGNATURE

SERVICE 3 DATE

ENGINEER NAME

COMPANY NAME

TEL No.

CORGI ID CARD SERIAL No.

COMMENTS

SIGNATURE

SERVICE 4 DATE

ENGINEER NAME

COMPANY NAME

TEL No.

CORGI ID CARD SERIAL No.

COMMENTS

SIGNATURE

SERVICE 5 DATE

ENGINEER NAME

COMPANY NAME

TEL No.

CORGI ID CARD SERIAL No.

COMMENTS

SIGNATURE

SERVICE 6 DATE

ENGINEER NAME

COMPANY NAME

TEL No.

CORGI ID CARD SERIAL No.

COMMENTS

SIGNATURE

SERVICE 7 DATE

ENGINEER NAME

COMPANY NAME

TEL No.

CORGI ID CARD SERIAL No.

COMMENTS

SIGNATURE

SERVICE 8 DATE

ENGINEER NAME

COMPANY NAME

TEL No.

CORGI ID CARD SERIAL No.

COMMENTS

SIGNATURE

SERVICE 9 DATE

ENGINEER NAME

COMPANY NAME

TEL No.

CORGI ID CARD SERIAL No.

COMMENTS

SIGNATURE

SERVICE 10 DATE

ENGINEER NAME

COMPANY NAME

TEL No.

CORGI ID CARD SERIAL No.

COMMENTS

SIGNATURE

TERMS AND CONDITIONS OF GUARANTEE

Please read these terms and conditions which are in addition to any terms and conditions detailed in this book or any registration card supplied with your appliance.

A charge will be made to the owner of the appliance if:

The reason for any service visit is as a direct result of a failure to install the appliance in accordance with the manufacturer's instructions.

Your installer does not complete the necessary commissioning process and procedure as detailed in the Installation and Operating Instructions.

Your appliance is not serviced on or before the 12 month anniversary of installation - this only applies to appliances with a 2 and 5 year guarantee.

Our service engineer calls as requested and the failure is a non-manufacturing defect.

Failure to pay an invoice for any such occurrence **will** be assumed by MTS that you accept that your appliance has not been installed correctly and understand that any

manufacturer's guarantee has been withdrawn.

On the 12 month anniversary of the appliance installation, you must have it serviced to continue any guarantee offered into the following year. Failure to do so **will** invalidate your guarantee and should an MTS engineer be required to attend and no proof of service documentation is made available, then MTS **will** charge.

As part of the commissioning process, it is a legal requirement to register all boiler installations or replacements with CORGI. Upon registration a "Certification Number" will be issued followed by a "Declaration of Safety" Certificate. MTS (GB) Ltd cannot be called upon to carry out any work under the manufacturer's guarantee without proof of registration. The registration number must be quoted when requesting a service visit, and the "Declaration of Safety" Certificate subsequently shown to the service engineer. If the certificate is not made available, the engineer will not work on the appliance and a wasted call charge will be made.

If you have a problem with commissioning on installation, please contact our
Technical Department on 0870 241 8180

**Please remove the completed boiler
commissioning checklist sticker from the
front of the boiler and place in this box
for customer reference**

Manufacturer: **Merloni TermoSanitari SpA - Italy**

Commercial subsidiary: **MTS (GB) Limited**, MTS Building, Hughenden Avenue, High Wycombe, Bucks HP13 5FT