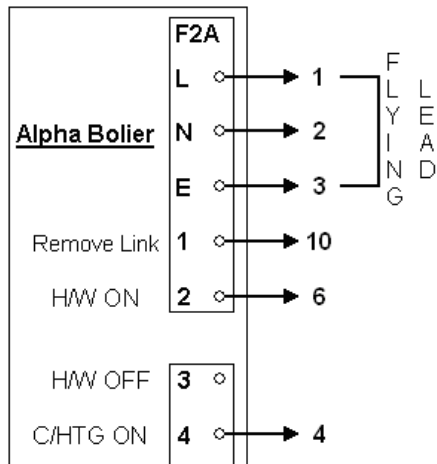
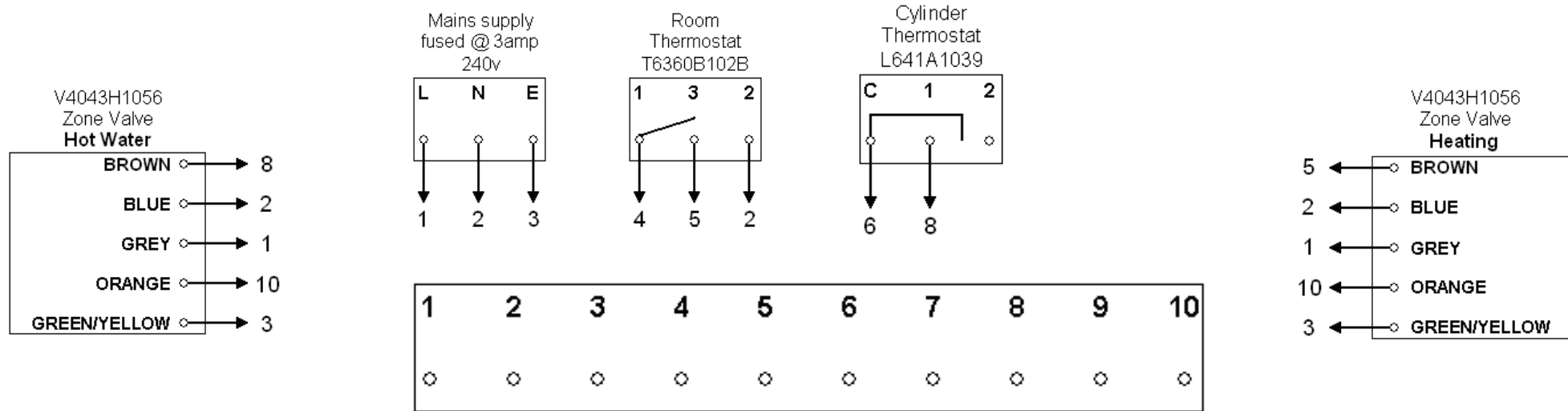


A system automatic bypass valve is required

Wiring diagram for use with an Alpha CD12S, CD20S & CD28S with a plug in Alpha 7-day digital 2 channel heating clock + Honeywell S plan.



NOTE: To connect external control, remove link from terminals 1 and 2 and connect a 230/240v switched live to terminal 1

NOTE: If you would like the option of the 2 channel Easy Stat. Please place a link between 4 and 5 on the wiring center and omit the room thermostat

5	WHITE	
4	GREY	Alpha
3	BLACK	7-Day Digital
2	BLUE	2 Channel
1	BROWN	Heating Clock

Connect clock terminals spade connectors to wires provided inside control panel i.e.:

- 1= Brown to clock terminal 1.
- 2= Blue to clock terminal 2.
- 3= Black to clock terminal 3.
- 4= Grey to clock terminal 4.
- 5= White to clock terminal 5.

