



E-Tech W

Wall mounted electric sealed system boiler. An economical alternative to LPG and Oil.

Available up to 15 kW for single phase supply and, where available, three phase options up to 36 kW.

The E-Tech W is user and installer-friendly with simplified maintenance. The control panel can be rotated to facilitate access to the water connections. The unit is of a steel body with removable stainless steel incoloy elements to increase the reliability and the service life of your installation.

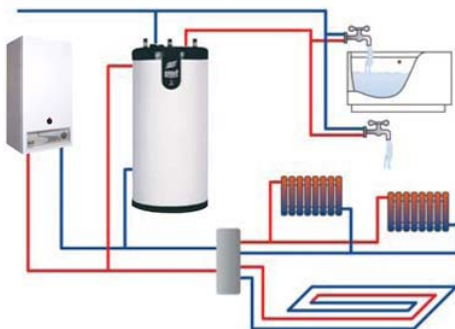
Benefits and Features

- No flue
- Reduced maintenance (no landlord certification)
- Modulating element input
- Can be used in modular formation
- Compatible with Honeywell S-plan and Y-plan wiring systems
- Built-in control circuit protected by internal 3 amp MCB
- Removable stainless steel incoloy immersion elements
- Stove enamelled casing
- Control panel including thermostats, combined temperature and pressure gauge and on/off switch
- Wall mounting bracket included
- Simple connection to heating systems
- Compatible with wet radiator or underfloor heating installations
- Ease of installation - the boiler allows direct connection to a heating system without the need for a feed and expansion tank

Easy connection to underfloor heating

In contrast with electric underfloor heating, hydraulic circuits are compatible with multiple-energy systems (electricity, gas, fuel-oil, heat pump, solar, etc). This allows the user to adapt to changes in the market and to opt for alternative sources of energy as the need arises.

See the ACV multi-energy tanks on page 8.



		E-Tech W 09	E-Tech W 15	E-Tech W 22	E-Tech W 28	28 E-Tech W 36
		Single Phase	Single Phase	Tri-Phase	Tri-Phase	Tri-Phase
Output	kW	4.2 to 8.4	7.2 to 14.4	14.4 to 21.6	21.6 to 28.8	30 to 36
Supply	V	230	230	3 x 400 + N	3 x 400 + N	3 x 400 + N
Total capacity	Ltrs	13	13	13	13	13
Expansion volume	Ltrs	10	10	10	10	10
Heating connections	Ø	3/4"	3/4"	3/4"	3/4"	3/4"
Weight empty	kg	45	45	45	45	45
Primary pressure drop	mbar	10	20	45	85	125
Max. operating temp.	°C	85	85	85	85	85
Heating element	type	2 x 1.4kW	2 x 2.4kW	2 x 2.4kW	2 x 2.4kW	2 x 3kW
Number of elements		3	3	5	6	6

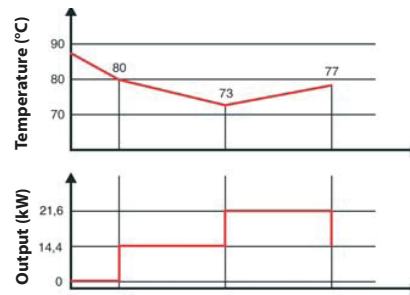
Maximum operating pressure Primary: 3 bar

Characteristics

Output modulation

The output of the E-Tech W automatically adjusts to heating demand thanks to the use of a two-stage thermostat:

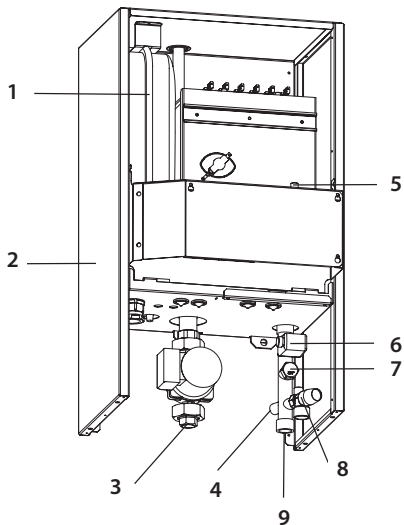
- The upper thermostat can be adjusted and controls the first stage of output.
- The lower thermostat is automatically regulated 7°C below the setpoint of the upper thermostat. It controls the second stage of output.



Output modulation (example):
E-Tech W 15
 7.2 or 14.4 kW
E-Tech W 22
 14.4 or 21.6 kW

Characteristics

Dimensions



1. Expansion vessel
2. Casing
3. Primary flow
4. Expansion tank connection
5. Manual reset limit thermostat
6. Pressure switch (low water level)
7. DHW kit connection (optional)
8. Safety valve
9. Primary return

