

# Compact N

---

Fully assembled compact steel boiler.

High Efficiency steel boiler with pressurised combustion chamber and suitable for matching with Natural Gas, LPG or oil burners. The boiler is a simple, compact unit for small commercial premises and suitable for modular installations where larger outputs are required.

## Product Features

- Floor standing boiler with robust and reliable steel construction
- Ideal low-cost choice for both replacement and new installations
- Choice of pressure jet oil or forced draught gas burner
- 3 models with range rateable outputs of 20 to 51kW
- Factory fitted stove enamelled steel casing and glass wool insulation
- Simple to install – and very easy to maintain with left/right handed door opening
- Control panel including thermostats, combined temperature and pressure gauge, and on/off switch
- Can be used in battery formation for higher output installations
- Multi pin plug and socket for electrical connection



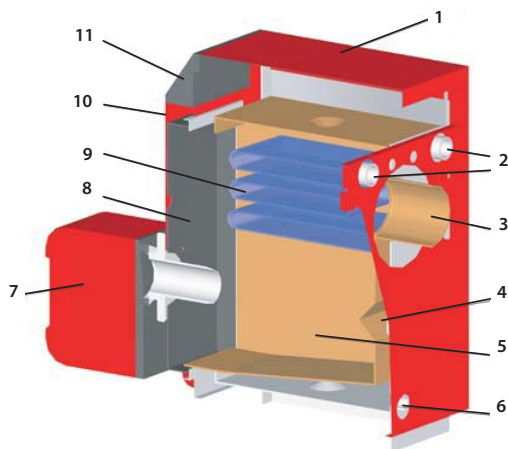
## Simple Installation

The Compact N is supplied fully assembled, with its robust casing and insulation fitted in the factory. This makes for a simple installation by the installer, with heating flow and return and chimney connections all easily accessible at the rear of the boiler.

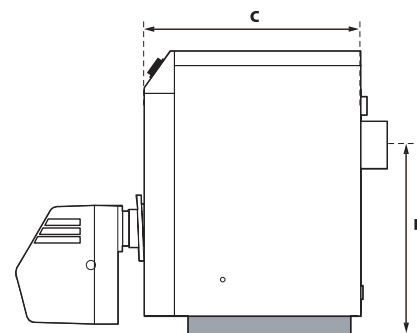
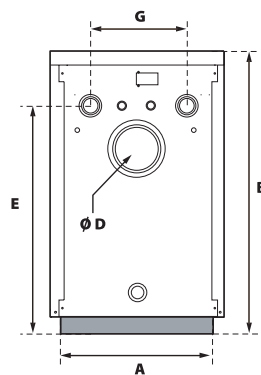
## Technical Data

		Compact N1	Compact N2	Compact N3
Burner options type		Pressure jet - Forced draught		
Maximum input	kW	28	40	57
Minimum input	kW	22	30	40
Maximum output	kW	25	36	51
Minimum output	kW	20	27	36.5
Total capacity	L	31	37	53
Primary connections (female BSP)	Ø	1"	1"	1 1/4"
Flue circuit pressure drop	mbar	0.15	0.17	0.15
Flue connection	mm	130	130	150
Weight empty (excluding burner)	kg	108	122	157
Weight Full (excluding burner)	kg	139	159	210
Natural gas flow rates	m <sup>3</sup> /h	3.7	4.8	6.6
Oil flow rate	Ltrs/hr	3.43	4.45	5
Maximum operating temperature	°C	90	90	90
Maximum operating pressure Primary: 3 bar				

## Characteristics



- |  |                                       |
|--|---------------------------------------|
| 1. Top cover                                 | 7. Oil or gas burner                  |
| 2. Primary water flow and return connections | 8. Removable combustion chamber plate |
| 3. Flue connection                           | 9. Heat exchanger                     |
| 4. Primary circuit                           | 10. Removable front panel             |
| 5. Combustion chamber                        | 11. Control panel                     |
| 6. Primary drain connection                  |                                       |



	A mm	B mm	C mm	D Ø mm	E mm	F mm	G mm
<b>N1</b>	470	700	566	130	550	445	260
<b>N2</b>	470	765	566	130	615	510	260
<b>N3</b>	530	805	656	150	645	550	260