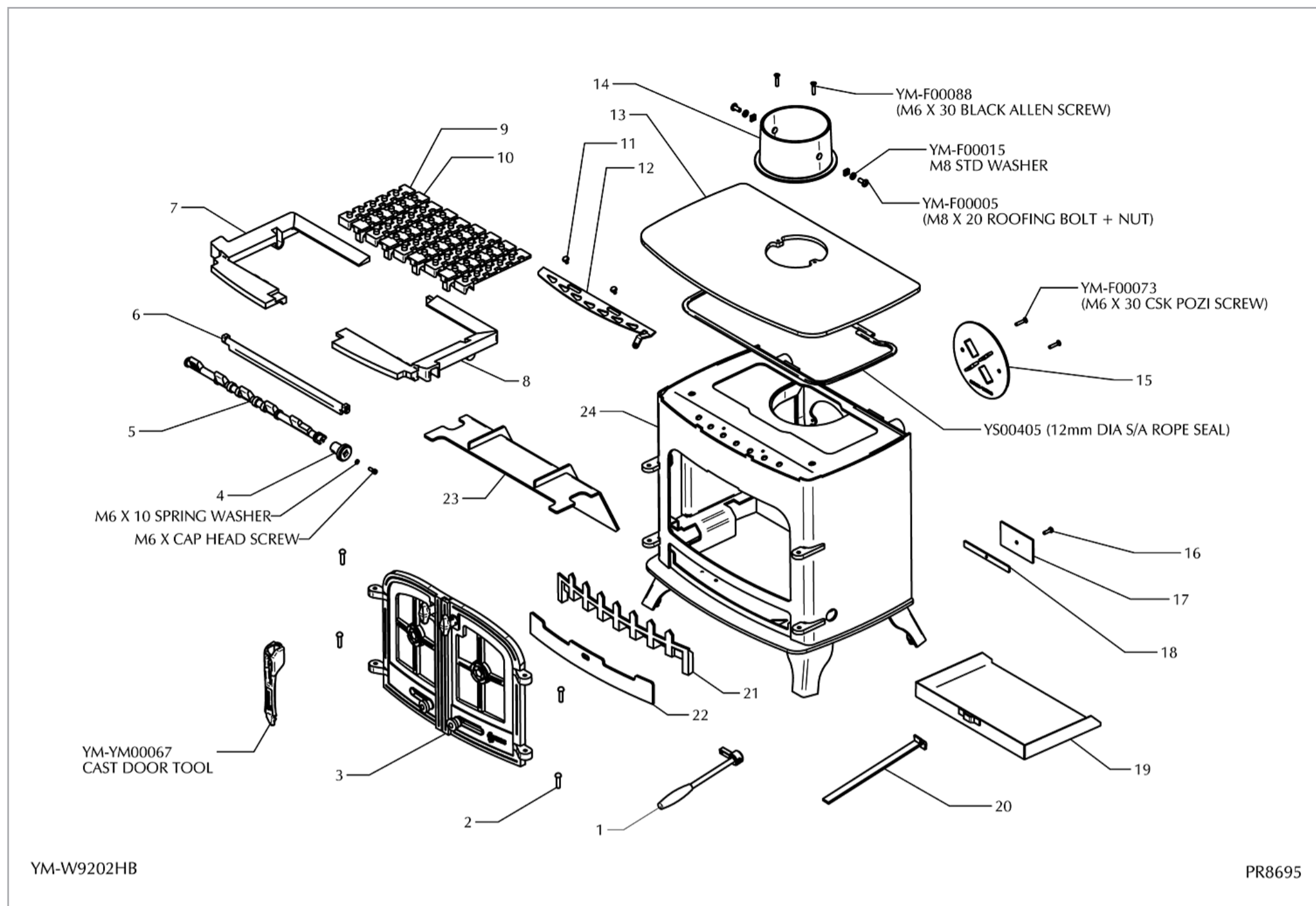


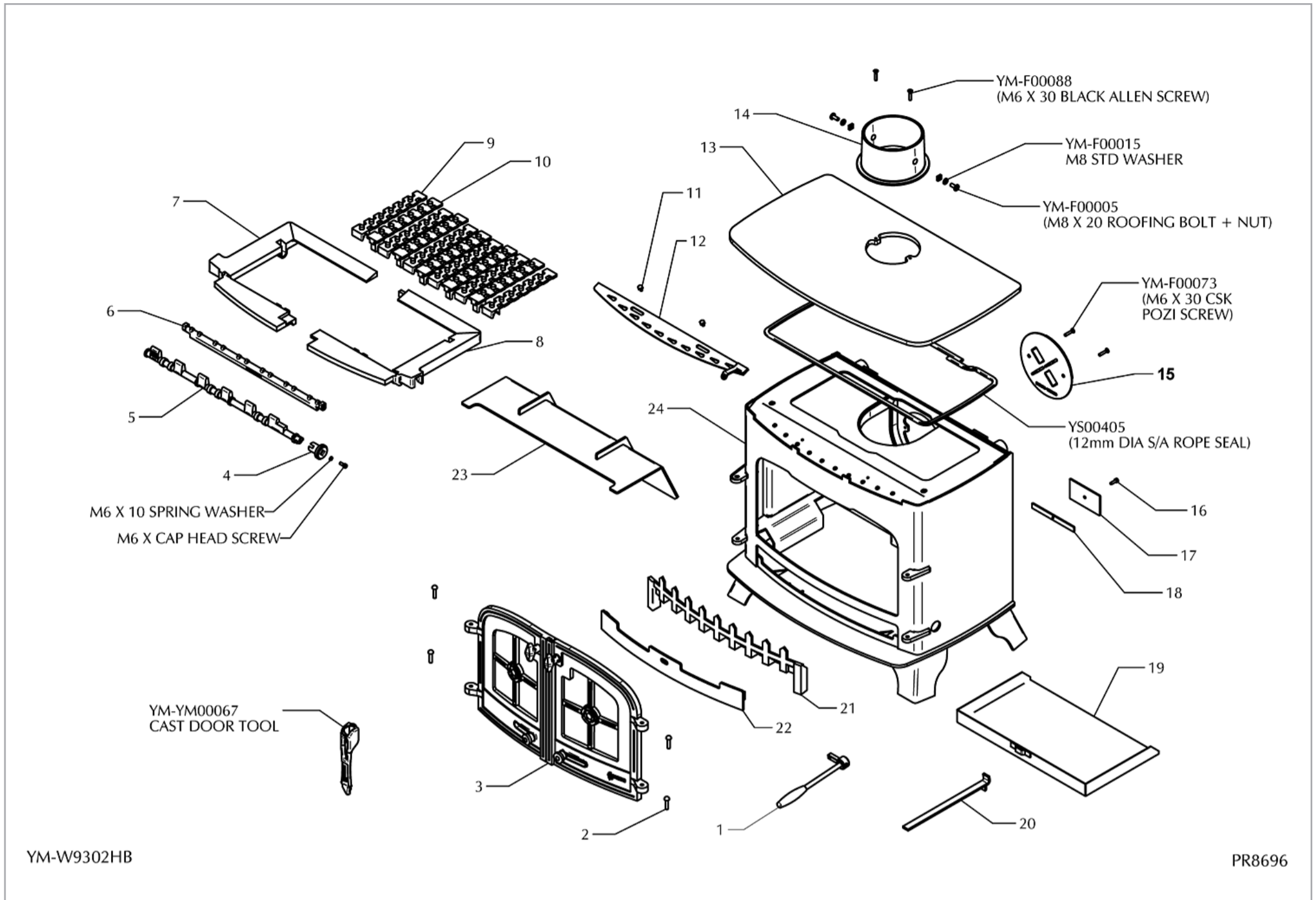
YM-W9202HB DEVON 50 HIGH OUTPUT BOILER STOVE



YM-W9202HB

PR8695

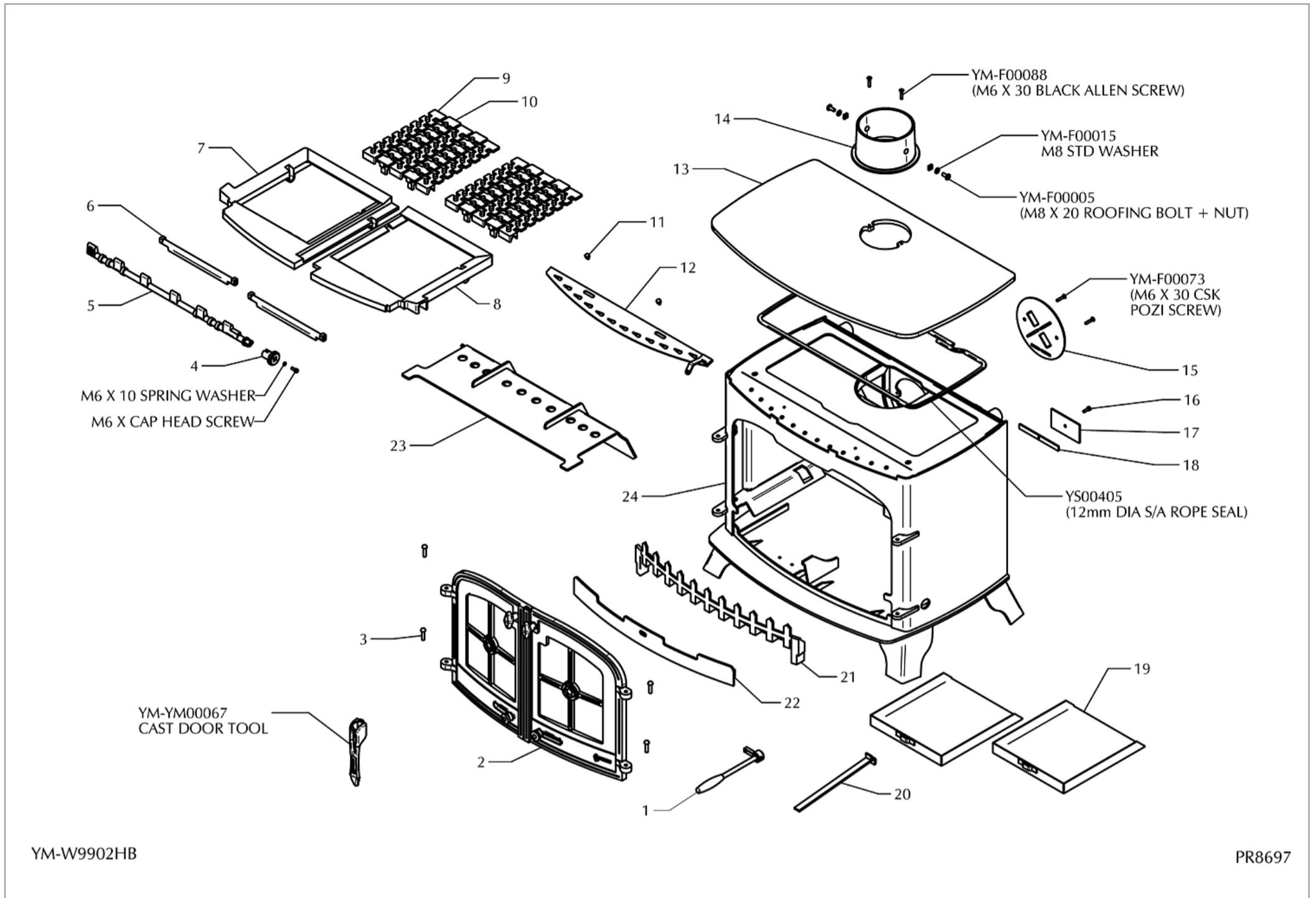
Ref. No.	Product Code	Drawing No. (if different)	Description
1	ST8-MEC8158	MEC8158	RIDDLING TOOL ASSEMBLY
2	YF00106		HINGE PIN
3	-	YM-YA2DDEVWD	DEVON TWIN DOOR ASSEMBLY
4	RVPX-CA7588	CA7588	MULTI-FUEL RIDDLING SOCKET
5	ST8-CA7584	CA7584	RIDDLING BAR
6	ST8-CA7500	CA7500	BACK RIDDLING BAR
7	YM-YM10057	YM10057	MULTI-FUEL RIDDLING GRATE LEFT HAND SIDE INFILL
8	YM-YM10056	YM10056	MULTI-FUEL RIDDLING GRATE RIGHT HAND SIDE INFILL
9	ST8-CA7480	CA7480	GRATE BAR - MOVING
10	ST8-CA7479	CA7479	GRATE BAR - FIXED
11	YM-B81309	YB81309	M6 AIRWASH SLIDER SCREW
12	-	YC81019	AIRWASH SLIDER
13	-	YM-A1031FL	FLAT TOP WELDED ASSEMBLY
14	YM-YM00545	YM00545	6" CAST FLUE SPIGOT
15	YM-YM00510	YM00510	6" CAST BLANKING PLATE
16	-	M0620HHS	M6 X 20 HEX HEAD SCREW
17	-	ME501805	THERMOSTAT BLANKING PLATE
18	-	ME501806	THERMOSTAT BLANKING BAR
19	YM-YA10003	YA10003	ASHPAN ASSEMBLY
20	YM-YA00006	YA00006	ASHPAN TOOL
21	YM-YM81080	YM81080	LOGBAR
22	-	YA10422-CE	DROP IN FRONT ASHCOVER ASSEMBLY
23	ST8-MEC8802	MEC8802	BAFFLE ASSEMBLY
24	-	YM-M1002AERA	BODY FABRICATION



YM-W9302HB

PR8696

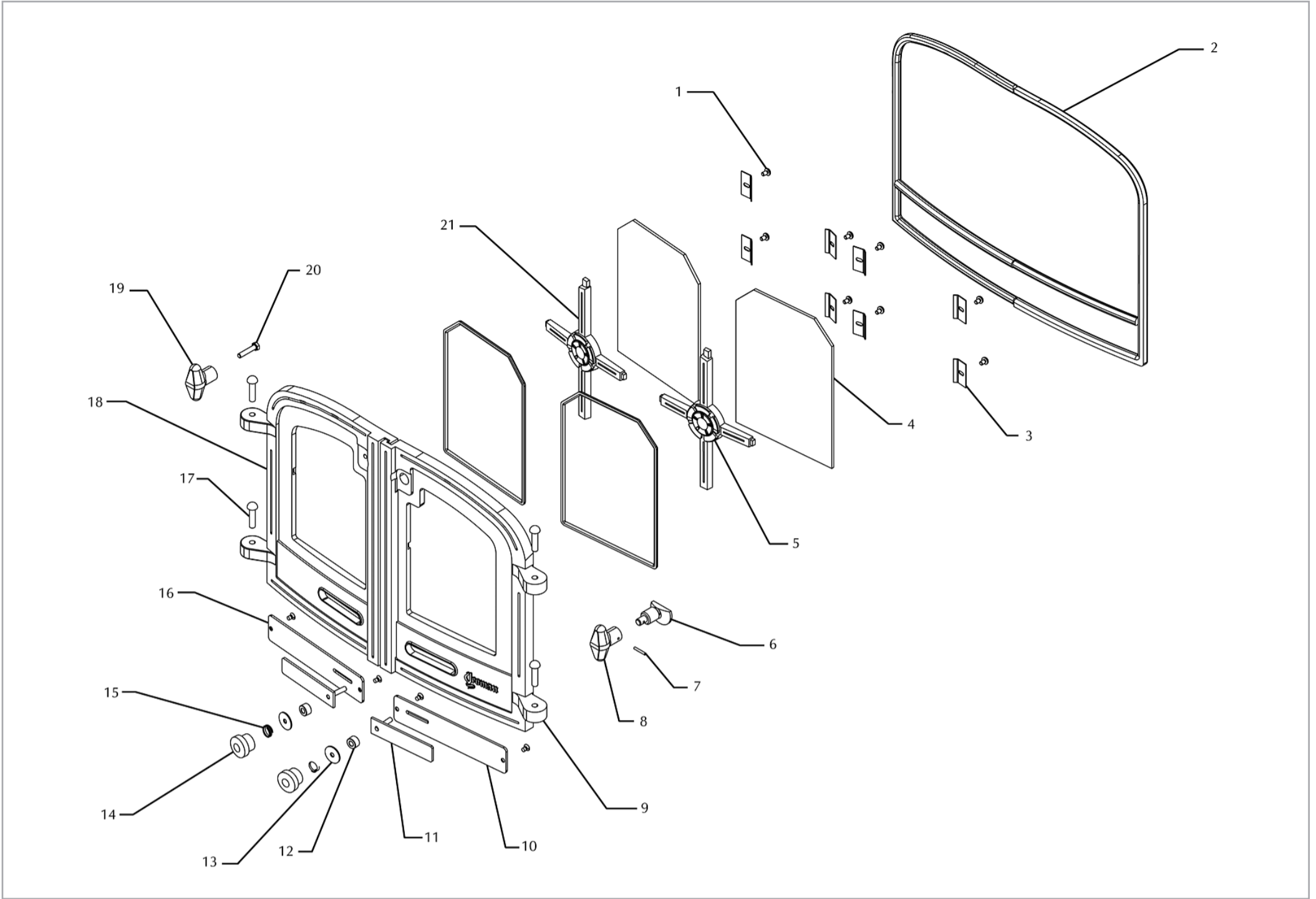
Ref. No.	Product Code	Drawing No. (if different)	Description
1	ST8-MEC8158	MEC8158	RIDDLING TOOL ASSEMBLY
2	YF00106		HINGE PIN
3	-	YM-YA2DCOUWD	2 DOOR ASSEMBLY
4	RVPX-CA7588	CA7588	MULTI-FUEL RIDDLING SOCKET
5	ST11-CA7585	CA7585	RIDDLING BAR
6	ST11-CA7503	CA7503	BACK RIDDLING BAR
7	YM-YM95057	YM95057	MULTI-FUEL RIDDLING GRATE LEFT HAND SIDE INFILL
8	YM-YM95056	YM95056	MULTI-FUEL RIDDLING GRATE RIGHT HAND SIDE INFILL
9	ST11-CA7486	CA7486	GRATE BAR - MOVING
10	ST11-CA7485	CA7485	GRATE BAR - FIXED
11	YM-B81309	YB81309	M6 AIRWASH SLIDER SCREW
12	-	YC05018	AIRWASH SLIDER
13	-	YM-A9531FL	FLAT TOP WELDED ASSEMBLY
14	YM-YM00545	YM00545	6" CAST FLUE SPIGOT
15	YM-YM00510	YM00510	6" CAST BLANKING PLATE
16	-	M0620HHS	M6 X 20 HEX HEAD SCREW
17	-	ME501805	THERMOSTAT BLANKING PLATE
18	-	ME501806	THERMOSTAT BLANKING BAR
19	YM-YA95003	YA95003	ASHPAN ASSEMBLY
20	YM-YA00006	YA00006	ASHPAN TOOL
21	YM-YM05080	YM05080	LOGBAR
22	-	YA95442	DROP IN FRONT ASHCOVER ASSEMBLY
23	ST11-MEC8803	MEC8803	BAFFLE ASSEMBLY
24	-	YM-M9502AERA	BODY FABRICATION (ADJUSTABLE HINGE)



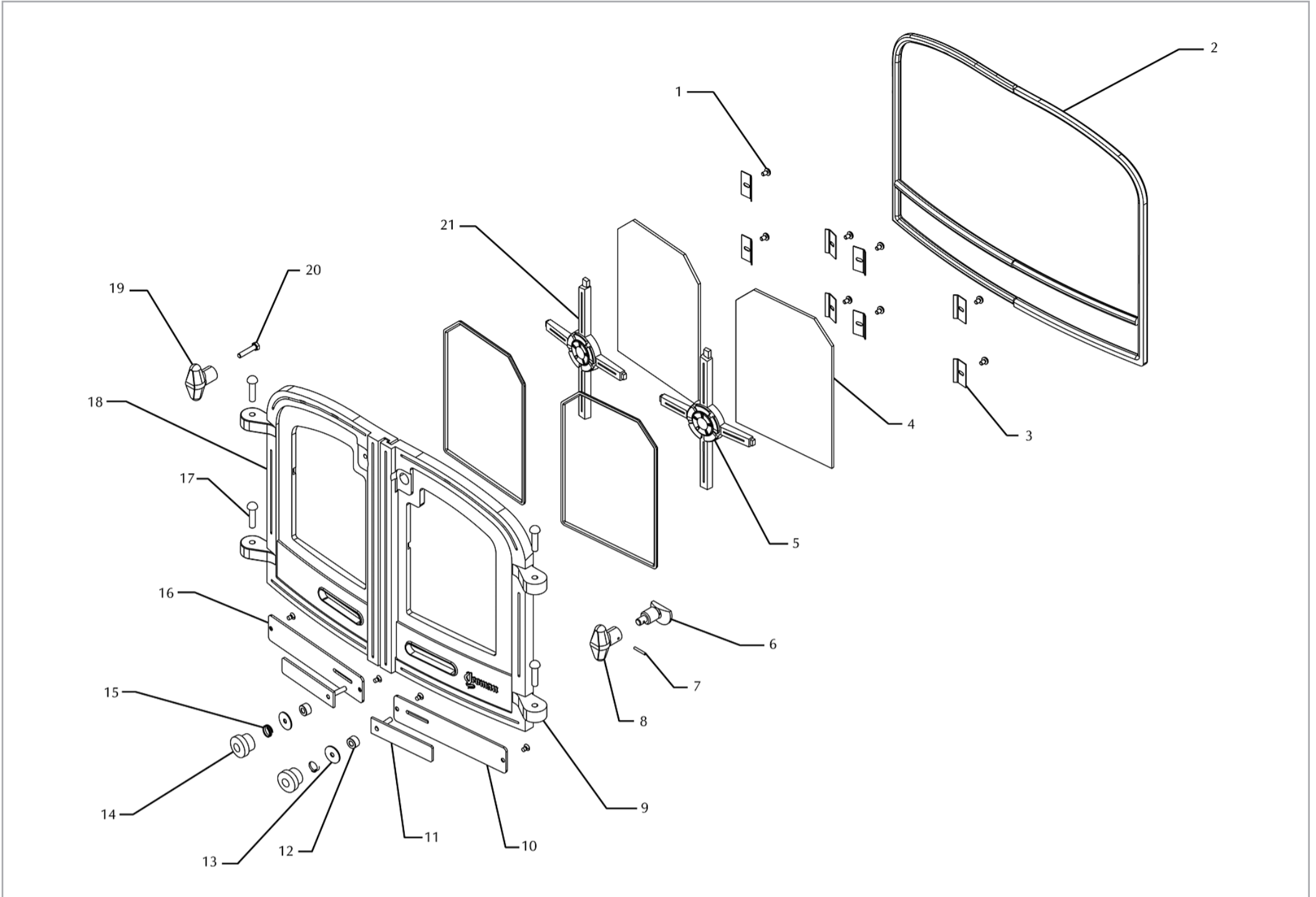
YM-W9902HB

PR8697

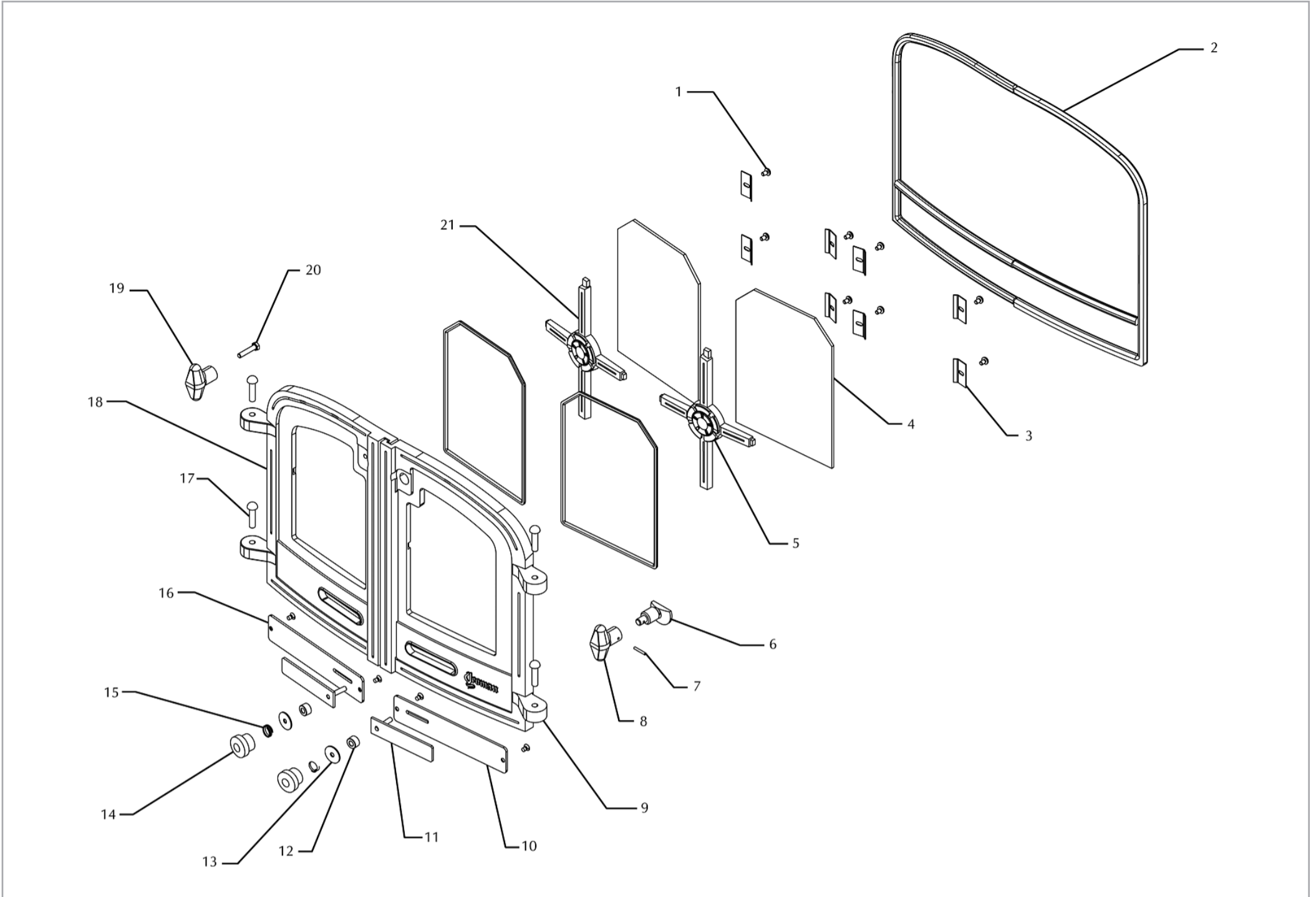
Ref. No.	Product Code	Drawing No. (if different)	Description
1	ST8-MEC8158	MEC8158	RIDDLING TOOL ASSEMBLY
2	-	YM-YA2DC14WD	DOOR ASSEMBLY
3	YF00106		HINGE PIN
4	RVPX-CA7588	CA7588	MULTI-FUEL RIDDLING SOCKET
5	ST11-CA7586	CA7586	RIDDLING BAR
6	ST11-CA7504	CA7504	BACK RIDDLING BAR
7	YM-YM99057	YM99057	MULTI-FUEL RIDDLING GRATE LEFT HAND SIDE INFILL
8	YM-YM99056	YM99056	MULTI-FUEL RIDDLING GRATE RIGHT HAND SIDE INFILL
9	ST11-CA7496	CA7496	GRATE BAR - MOVING
10	ST11-CA7495	CA7495	GRATE BAR - FIXED
11	YM-B81309	YB81309	M6 AIRWASH SLIDER SCREW
12	-	YA99018	AIRWASH SLIDER
13	-	YM-A9931FL	FLAT TOP WELDED ASSEMBLY
14	YM-YM00545	YM00545	6" CAST FLUE SPIGOT
15	YM-YM00510	YM00510	6" CAST BLANKING PLATE
16	-	M0620HHS	M6 X 20 HEX HEAD SCREW
17	-	ME501805	THERMOSTAT BLANKING PLATE
18	-	ME501806	THERMOSTAT BLANKING BAR
19	YM-YA95003	YA99003	ASHPAN ASSEMBLY
20	YM-YA00006	YA00006	ASHPAN TOOL
21	YM-YM99080	YM99080	LOGBAR
22	-	YA99442	DROP IN FRONT ASHCOVER ASSEMBLY
23	ST11-MEC8829	MEC8829	BAFFLE ASSEMBLY
24	-	YM-M9902AERA	BODY FABRICATION (ADJUSTABLE HINGE)



Ref. No.	Product Code	Drawing No. (if different)	Description
1	SM29	M0508PHS	M5 X 8 PAN HEAD SCREW
2	4670H		Ø14 ROPE SEAL (BLACK)
3	-	YC00353	STANDARD GLASS CLIP
4	-	GL0251	TWIN DOOR GLASS
5	YM-YM81001	YM81001	RIGHT HAND DOOR CROSS
6	-	YB00030	M18 DOOR CAM
7	YM-F00004	YF00004	SPIROL PIN Ø3 X 18 LG
8	YM-A9905	YC00228	RIGHT HAND MULTI-FUEL DOOR KNOB
9	YM-YM81907	YM81907	RIGHT HAND DOOR
10	N/A	N/A	NOT REQUIRED
11	-	YA82057	PRIMARY AIR SLIDER ASSEMBLY
12	-	YB00258	AIR SLIDER SPACER
13	-	YF00075	M6 X 25 PENNY WASHER
14	-	YB00158	SPRING AIR SLIDER KNOB
15	YM-F00258	YF00258	AIR SLIDER SPRING
16	N/A	N/A	NOT REQUIRED
17	-	YF00106	HINGE PIN
18	YM-YM81908	YM81908	LEFT HAND DOOR CASTING
19	YM-A9904	YC00128	LEFT HAND MULTI-FUEL DOOR KNOB
20	-		M6 X 30 HEX HEAD SET SCREW
21	YM-YM81101	YM81101	LEFT HAND TWIN DOOR CROSS



Ref. No.	Product Code	Drawing No. (if different)	Description
1	SM29	M0508PHS	M5 X 8 PAN HEAD SCREW
2	4670H		Ø14 ROPE SEAL (BLACK)
3	-	YC00353	STANDARD GLASS CLIP
4	GL0253	GL0253	TWIN DOOR GLASS
5	YM-YM05001	YM05001	RIGHT HAND DOOR CROSS
6	-	YB00030	M18 DOOR CAM
7	YM-F00004	YF00004	SPIROL PIN Ø3 X 18 LG
8	YM-A9905	YC00228	RIGHT HAND MULTI-FUEL DOOR KNOB
9	YM-YM05907	YM05907	RIGHT HAND DOOR
10	N/A	N/A	NOT REQUIRED
11	-	YA00057	PRIMARY AIR SLIDER ASSEMBLY
12	-	YB00258	AIR SLIDER SPACER
13	-	YF00075	M6 X 25 PENNY WASHER
14	-	YB00158	SPRING AIR SLIDER KNOB
15	YM-F00258	YF00258	AIR SLIDER SPRING
16	N/A	N/A	NOT REQUIRED
17	-	YF00106	HINGE PIN
18	YM-YM05908	YM05908	LEFT HAND DOOR CASTING
19	YM-A9904	YC00128	LEFT HAND MULTI-FUEL DOOR KNOB
20	-		M6 X 30 HEX HEAD SET SCREW
21	YM-YM05101	YM05101	LEFT HAND TWIN DOOR CROSS



Ref. No.	Product Code	Drawing No. (if different)	Description
1	SM29	M0508PHS	M5 X 8 PAN HEAD SCREW
2	4670H		Ø14 ROPE SEAL (BLACK)
3	-	YC00353	STANDARD GLASS CLIP
4	-	GL0261	TWIN DOOR GLASS
5	YM-YM99001	YM99001	RIGHT HAND DOOR CROSS
6	-	YB00030	M18 DOOR CAM
7	YM-F00004	YF00004	SPIROL PIN Ø3 X 18 LG
8	YM-A9905	YC00228	RIGHT HAND MULTI-FUEL DOOR KNOB
9	YM-YM99907	YM99907	RIGHT HAND DOOR
10	N/A	N/A	NOT REQUIRED
11	-	YA00057	PRIMARY AIR SLIDER ASSEMBLY
12	-	YB00258	AIR SLIDER SPACER
13	-	YF00075	M6 X 25 PENNY WASHER
14	-	YB00158	SPRING AIR SLIDER KNOB
15	YM-F00258	YF00258	AIR SLIDER SPRING
16	N/A	N/A	NOT REQUIRED
17	-	YF00106	HINGE PIN
18	YM-YM99908	YM99908	LEFT HAND DOOR CASTING
19	YM-A9904	YC00128	LEFT HAND MULTI-FUEL DOOR KNOB
20	-		M6 X 30 HEX HEAD SET SCREW
21	YM-YM99101	YM99101	LEFT HAND TWIN DOOR CROSS