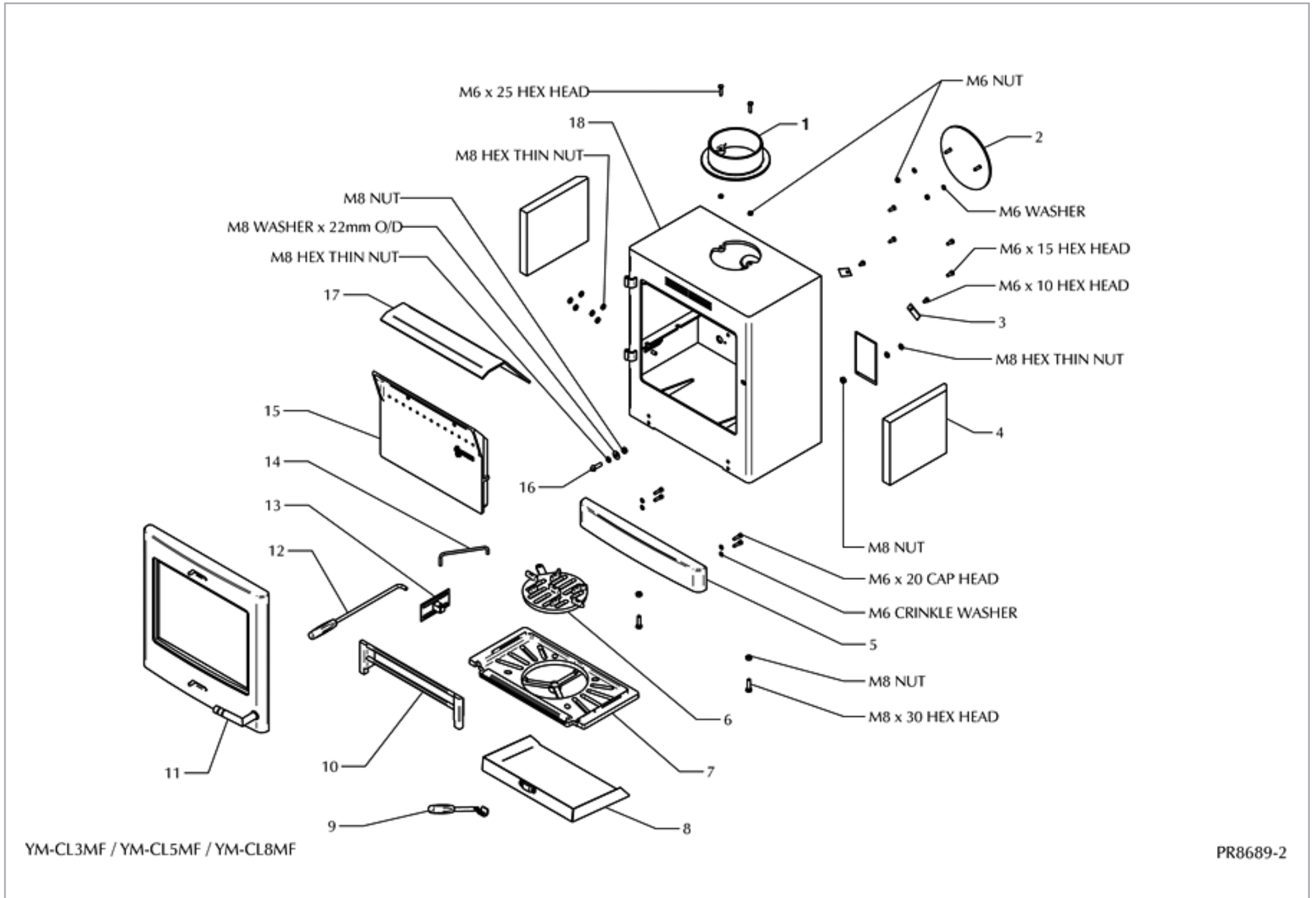


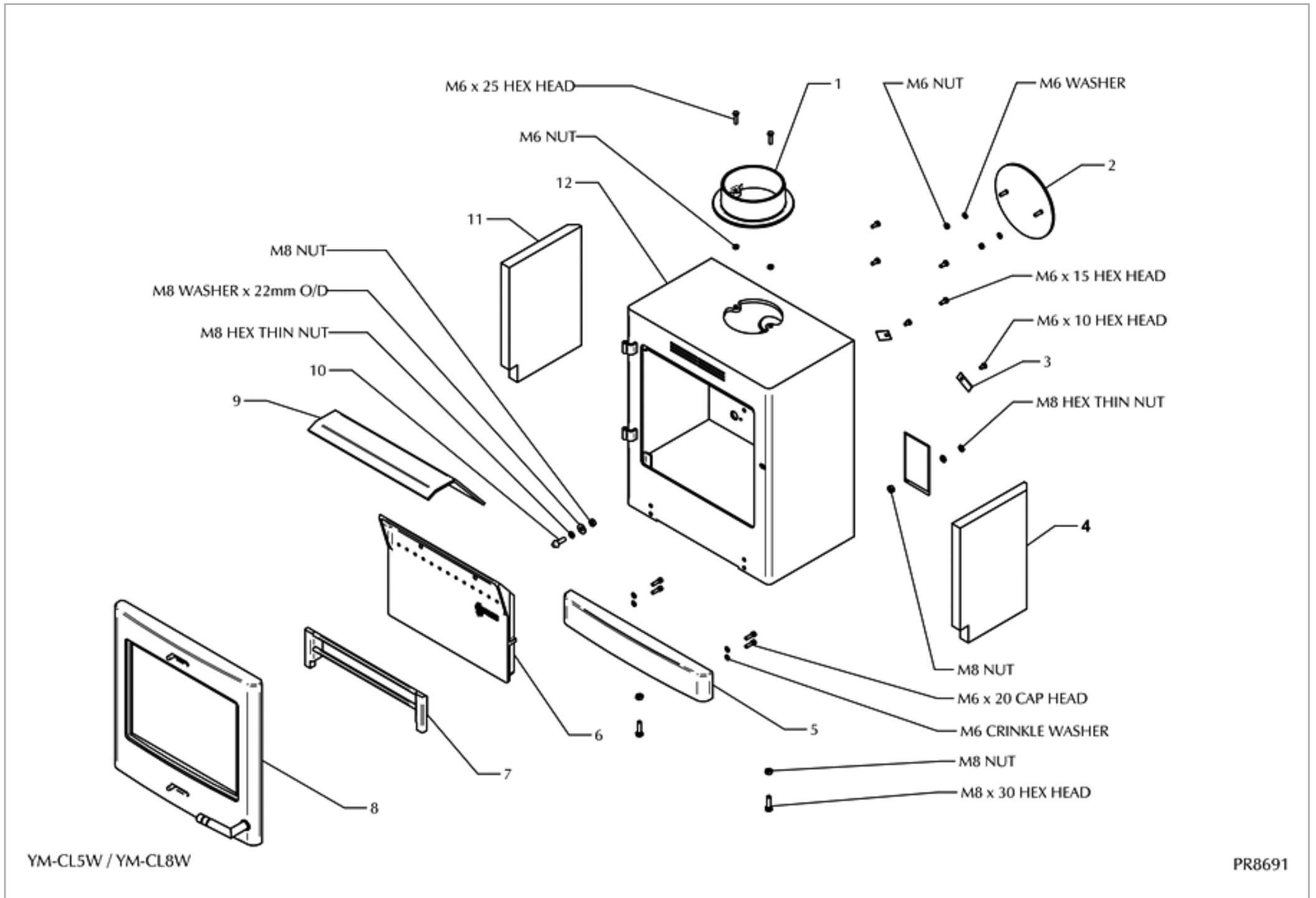
YM-CL3MF / YM-CL5MF / YM-CL8MF

PR8689-2

| Ref. No. | Product Code | Drawing No. (if different) | Description |
|----------|--------------|----------------------------|----------------------------|
| 1 | CA7668 | | 5" CAST FLUE |
| 2 | SS13 | MEC7026 | 5" FLUE BLANK |
| 3 | SM15 | ME7027 | SECONDARY AIR COVER |
| 4 | CE7810 | | FIRE BRICK |
| 5 | CA7618 | | CAST PLINTH FRONT |
| 6 | SMN37 | CA7050 | CENTRE GRATE |
| 7 | SMN36 | CA7049 | MAIN GRATE |
| 8 | MEC8818 | | ASH PAN ASSEMBLY |
| 9 | MEC8793 | | ASH PAN TOOL ASSEMBLY |
| 10 | SMN25 | CA7031 | LOG RETAINER |
| 11 | MEC8608 | | DOOR ASSEMBLY |
| 12 | MEC8788 | | RIDDLING/DOOR TOOL |
| 13 | MEC8644 | | RIDDLING SLIDER ASSEMBLY |
| 14 | RA502300 | | RIDDLING OPERATING ROD |
| 15 | CA7629 | | CLEANBURN AIR DUCT CASTING |
| 16 | ME600599 | | LATCH SCREW |
| 17 | SMN26 | RA7117 | BAFFLE |
| 18 | MEC8607 | | CARCASS |



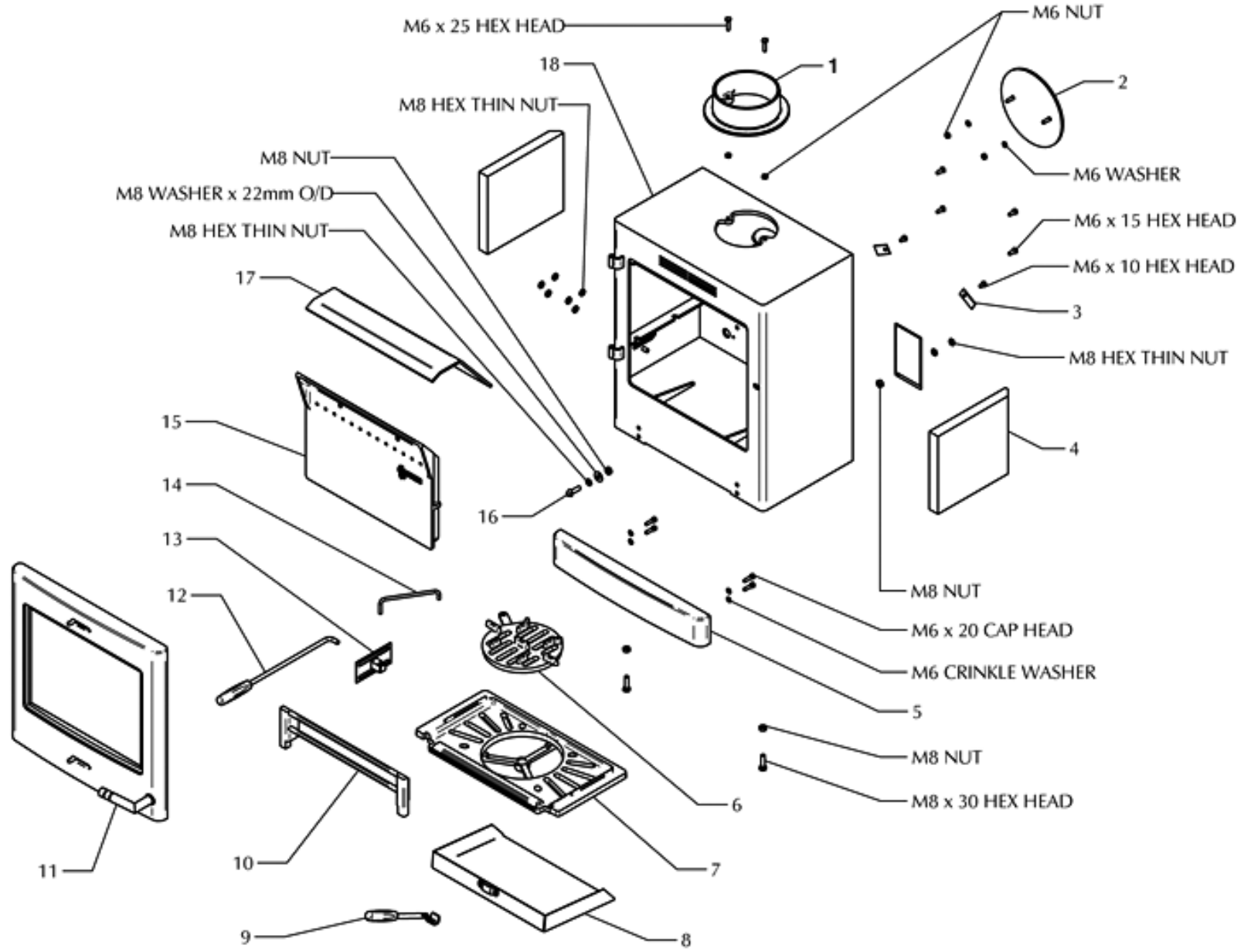
| Ref. No. | Product Code | Drawing No. (if different) | Description |
|----------|--------------|----------------------------|----------------------------|
| 1 | CA7668 | | 5" CAST FLUE |
| 2 | SS13 | MEC7026 | 5" FLUE BLANK |
| 3 | SM15 | ME7027 | SECONDARY AIR COVER |
| 4 | CE7814 | | FIRE BRICK |
| 5 | CA7645 | | CAST PLINTH FRONT |
| 6 | SMN37 | CA7050 | CENTRE GRATE |
| 7 | S5.53CE | CA7180 | MAIN GRATE |
| 8 | MEC8819 | | ASH PAN ASSEMBLY |
| 9 | MEC8793 | | ASH PAN TOOL ASSEMBLY |
| 10 | CA7664 | | LOG RETAINER |
| 11 | MEC8628 | | DOOR ASSEMBLY |
| 12 | MEC8788 | | RIDDLING/DOOR TOOL |
| 13 | MEC8644 | | RIDDLING SLIDER ASSEMBLY |
| 14 | RA502327 | | RIDDLING OPERATING ROD |
| 15 | CA7630 | | CLEANBURN AIR DUCT CASTING |
| 16 | ME600599 | | LATCH SCREW |
| 17 | S5.26 | RA7239 | BAFFLE |
| 18 | MEC8635 | | CARCASS |



YM-CL5W / YM-CL8W

PR8691

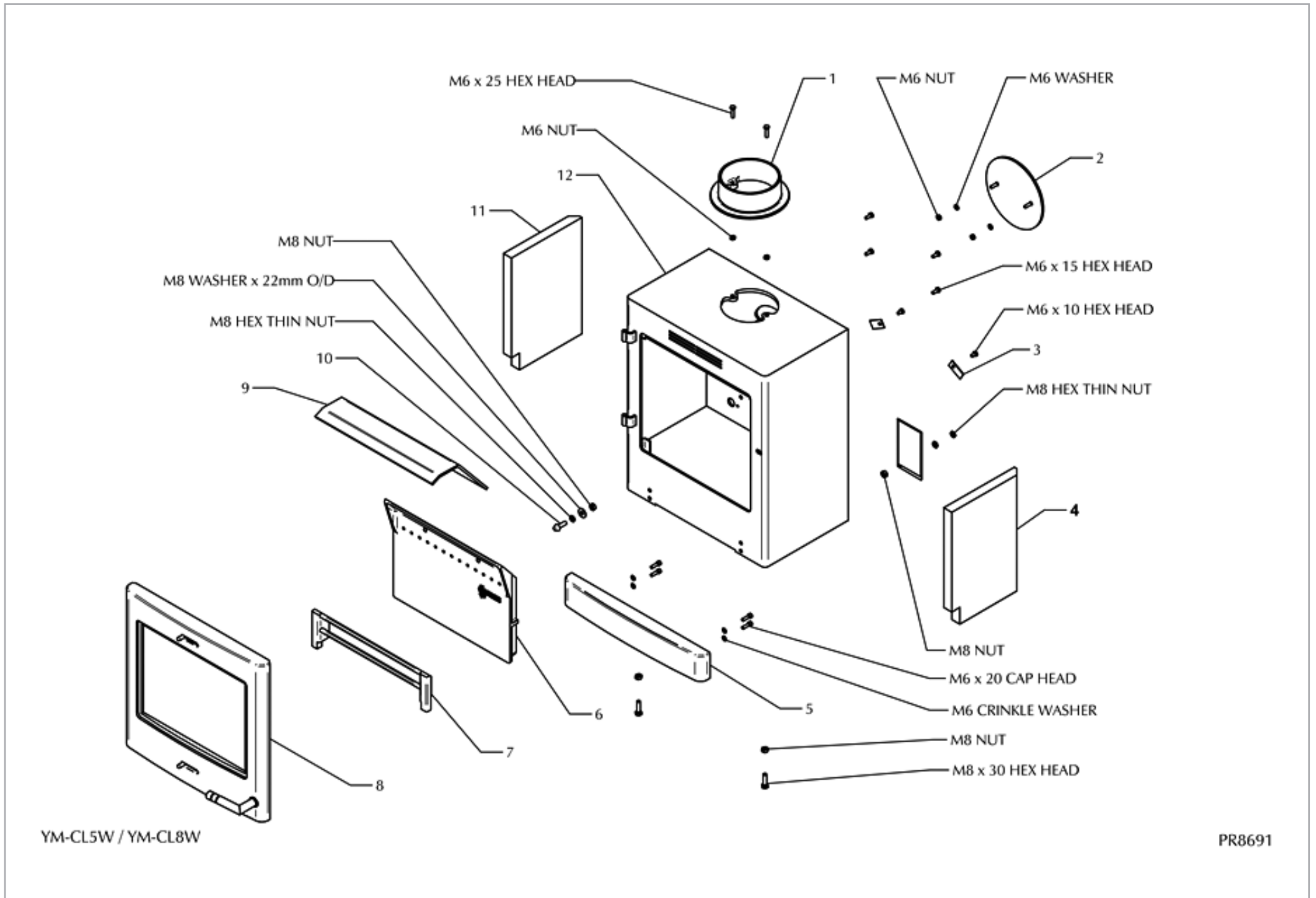
| Ref. No. | Product Code | Drawing No. (if different) | Description |
|----------|--------------|----------------------------|----------------------------|
| 1 | CA7668 | | 5" CAST FLUE |
| 2 | SS13 | MEC7026 | 5" FLUE BLANKING PLATE |
| 3 | SM15 | ME7027 | SECONDARY AIR COVER |
| 4 | CE7812 | | BRICK RIGHT HAND |
| 5 | CA7645 | | PLINTH |
| 6 | CA7630 | | CLEANBURN AIR DUCT CASTING |
| 7 | CA7664 | | LOG RETAINER |
| 8 | MEC8628 | | DOOR ASSEMBLY |
| 9 | S5.26 | RA7239 | BAFFLE |
| 10 | ME600599 | | LATCH SCREW |
| 11 | CE7817 | | BRICK LEFT HAND |
| 12 | MEC8782 | | CARCASS |



YM-CL3MF / YM-CL5MF / YM-CL8MF

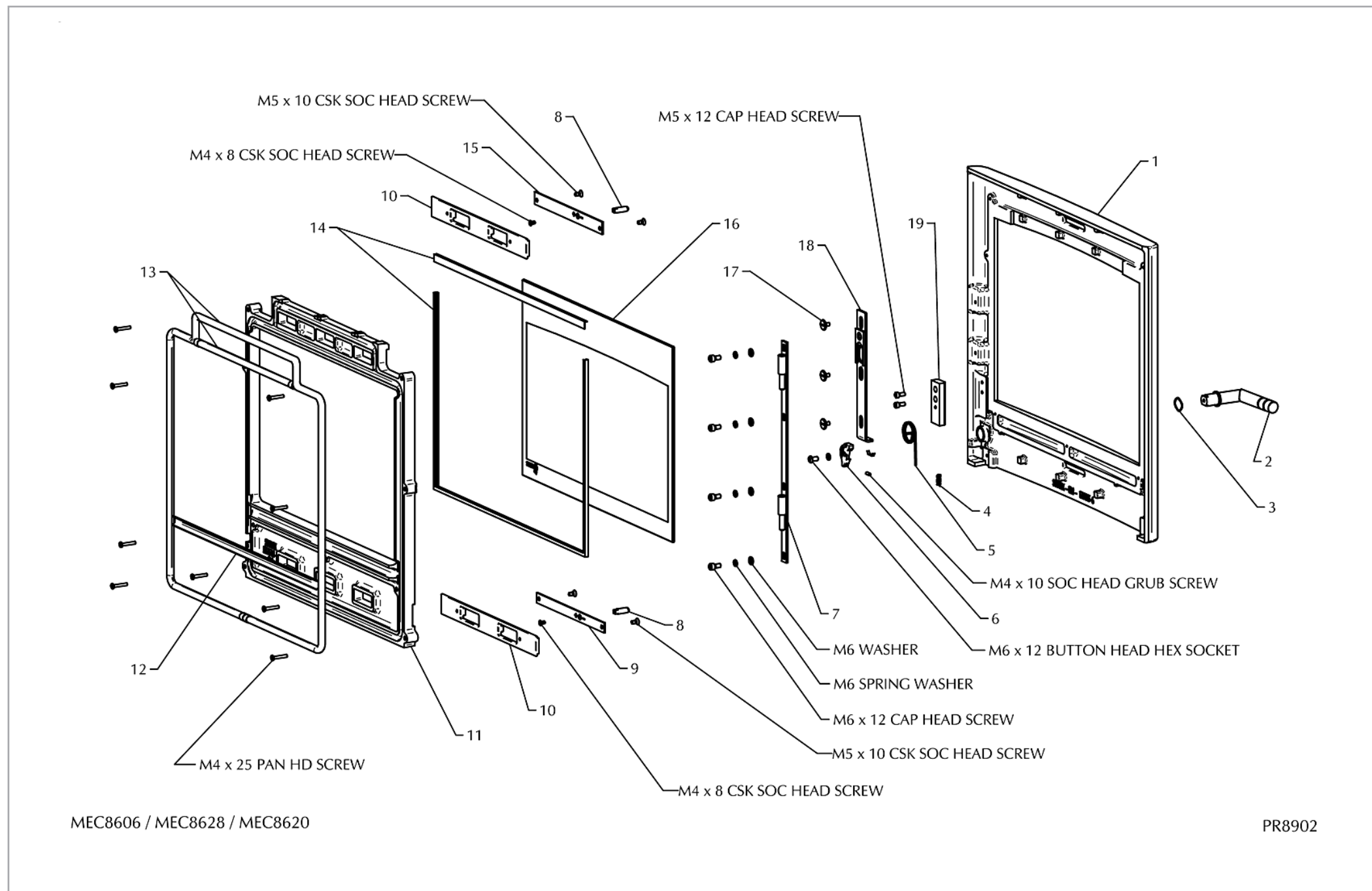
PR8689-2

| Ref. No. | Product Code | Drawing No. (if different) | Description |
|----------|--------------|----------------------------|----------------------------|
| 1 | CA7669 | | 6" CAST FLUE |
| 2 | SM13 | MEC7004 | 6" FLUE BLANK |
| 3 | SM15 | ME7027 | SECONDARY AIR COVER |
| 4 | CE7813 | | FIRE BRICK |
| 5 | CA7651 | | CAST PLINTH FRONT |
| 6 | SMN37 | CA7050 | CENTRE GRATE |
| 7 | SM64CE | CA7179 | MAIN GRATE |
| 8 | MEC8821 | | ASH PAN ASSEMBLY |
| 9 | MEC8793 | | ASH PAN TOOL ASSEMBLY |
| 10 | SM62 | CA7111 | LOG RETAINER |
| 11 | MEC8620 | | DOOR ASSEMBLY |
| 12 | MEC8788 | | RIDDLING/DOOR TOOL |
| 13 | MEC8644 | | RIDDLING SLIDER ASSEMBLY |
| 14 | RA502357 | | RIDDLING OPERATING ROD |
| 15 | CA7631 | | CLEANBURN AIR DUCT CASTING |
| 16 | ME600599 | | LATCH SCREW |
| 17 | SM26 | RA7024 | BAFFLE |
| 18 | MEC8624 | | CARCASS |

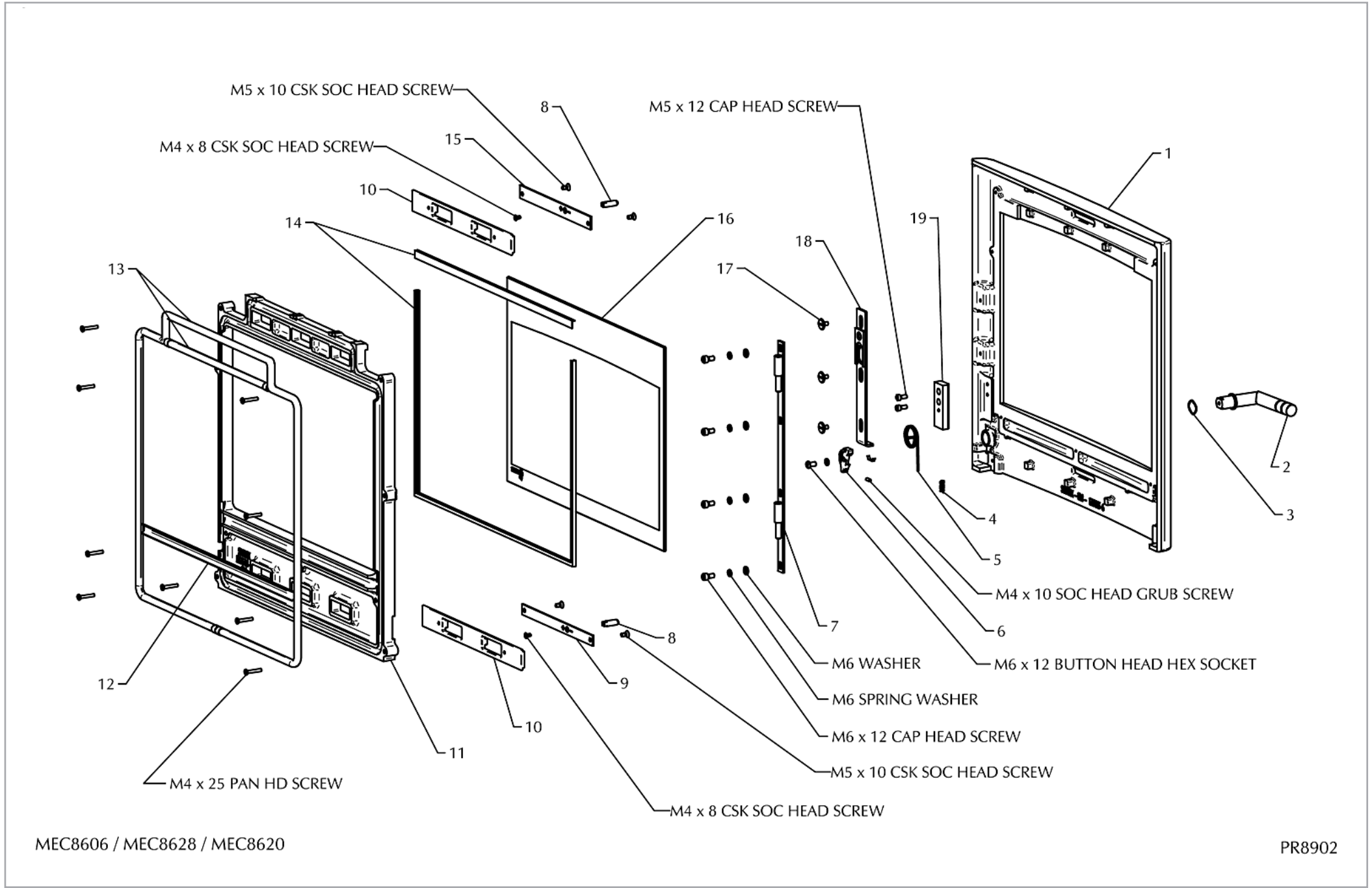


| Ref. No. | Product Code | Drawing No. (if different) | Description |
|----------|--------------|----------------------------|----------------------------|
| 1 | CA7669 | | 6" CAST FLUE |
| 2 | SM13 | MEC7004 | 6" FLUE BLANKING PLATE |
| 3 | SM15 | ME7027 | SECONDARY AIR COVER |
| 4 | CE7815 | | BRICK RIGHT HAND |
| 5 | CA7651 | | PLINTH |
| 6 | CA7631 | | CLEANBURN AIR DUCT CASTING |
| 7 | SM62 | CA7111 | LOG RETAINER |
| 8 | MEC8620 | | DOOR ASSEMBLY |
| 9 | SM26 | RA7024 | BAFFLE |
| 10 | ME600599 | | LATCH SCREW |
| 11 | CE7816 | | BRICK LEFT HAND |
| 12 | MEC8787 | | CARCASS |

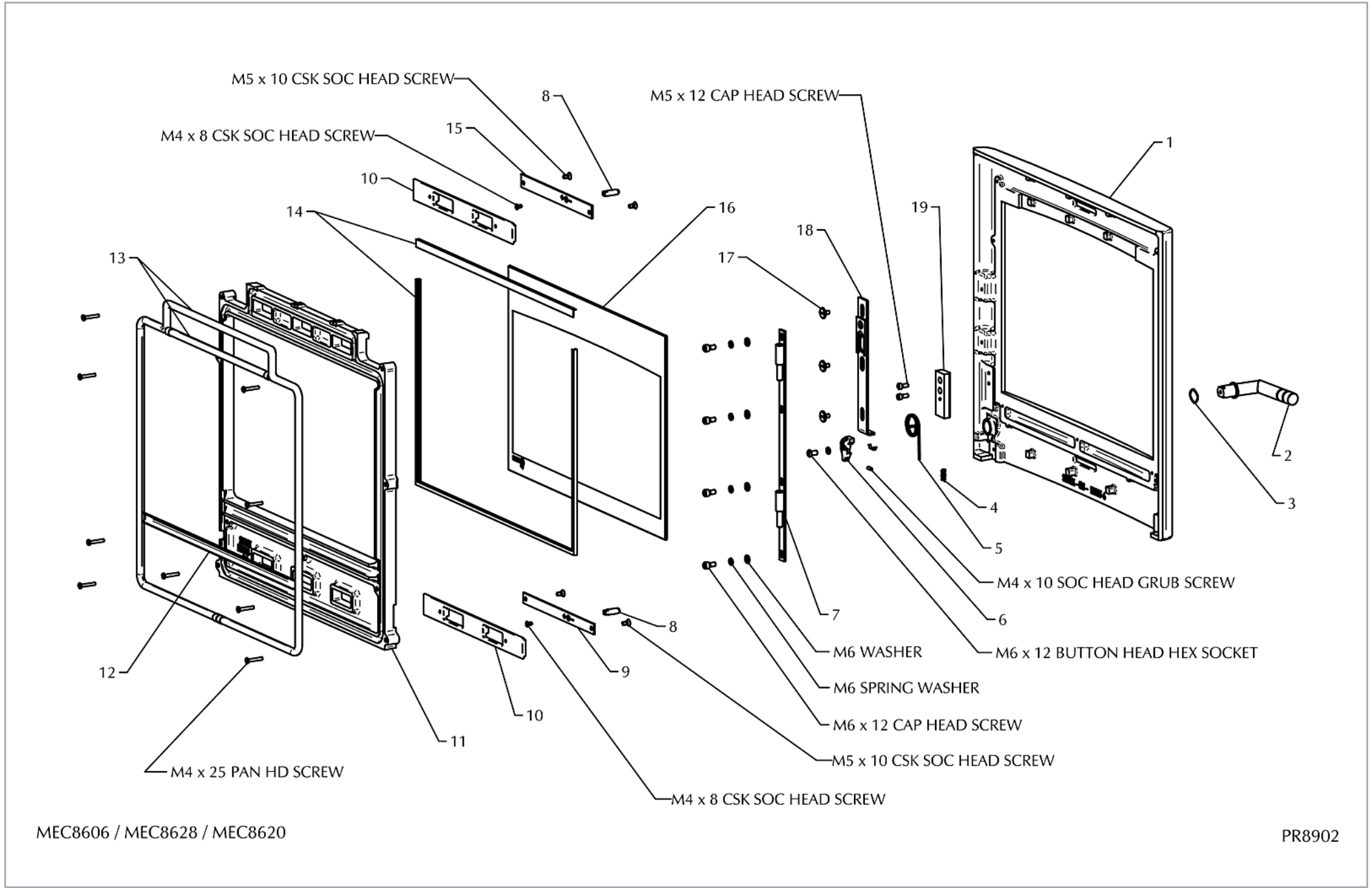
YM-CL3MF YEOMAN CL FREESTANDING STOVE DOOR ASSEMBLY



| Ref. No. | Product Code | Drawing No. (if different) | Description |
|----------|--------------|----------------------------|--|
| 1 | CA7597 | | CAST DOOR |
| 2 | MEC8619 | | DOOR HANDLE ASSEMBLY |
| 3 | FA500024 | | WAVE SPRING - YRW-0087S17 |
| 4 | FA9508 | FA500016 | SPRING 6.1MM O/D X 0.61MM DIAMETER WIRE X 22.2MM LONG |
| 5 | FA500025 | | TORSION SPRING |
| 6 | CA7635 | | DOOR HANDLE CAM |
| 7 | MEC8636 | | HINGE PLATE ASSEMBLY |
| 8 | ME600392 | | AIR CONTROL HANDLE |
| 9 | ME600456 | | PRIMARY AIR SLIDER PLATE |
| 10 | CA7634 | | AIR SLIDER |
| 11 | CA7614 | | GLASS CLAMP |
| 12 | N/A | | ONLY USED ON CL8 DOOR |
| 13 | 5000 / 4670 | CE7717 | ROPE SEAL (BLACK) Ø14MM X 175MM (4670) AVAILABLE IN 2M & 25M |
| 13 | 5000 / 4670 | CE7729 | ROPE SEAL (BLACK) Ø14MM X 1400MM (4670) AVAILABLE IN 2M & 25M |
| 14 | 4950 / 4954 | CE7728 | SELF ADHESIVE TAPE (BLACK) 15MM X 2MM X 790MM (4954) AVAILABLE IN 2M & 25M |
| 14 | 4950 / 4954 | CE7800 | SELF ADHESIVE TAPE (BLACK) 15MM X 2MM X 271MM (4954) AVAILABLE IN 2M & 25M |
| 15 | ME600448 | | AIRWASH SLIDER PLATE |
| 16 | CE7704 | | DOOR GLASS |
| 17 | FA9510 | ME7702 | SHOULDER SCREW |
| 18 | MEC8865 | | CATCH SLIDER ASSEMBLY |
| 19 | ME600410 | | DOOR CATCH BLOCK |



| Ref. No. | Product Code | Drawing No. (if different) | Description |
|----------|--------------|----------------------------|--|
| 1 | CA7621 | | CAST DOOR |
| 2 | MEC8619 | | DOOR HANDLE ASSEMBLY |
| 3 | FA500024 | | WAVE SPRING - YRW-0087S17 |
| 4 | FA9508 | FA500016 | SPRING 6.1MM O/D X 0.61MM DIAMETER WIRE X 22.2MM LONG |
| 5 | FA500025 | | TORSION SPRING |
| 6 | CA7635 | | DOOR HANDLE CAM |
| 7 | MEC8636 | | HINGE PLATE ASSEMBLY |
| 8 | ME600392 | | AIR CONTROL HANDLE |
| 9 | ME600456 | | PRIMARY AIR SLIDER PLATE |
| 10 | CA7634 | | AIR SLIDER |
| 11 | CA7643 | | GLASS CLAMP |
| 12 | N/A | | ONLY USED ON CL8 DOOR |
| 13 | 5000 / 4670 | CE7717 | ROPE SEAL (BLACK) Ø14MM X 175MM (4670) AVAILABLE IN 2M & 25M |
| 13 | 5000 / 4670 | CE7776 | ROPE SEAL (BLACK) Ø14MM X 1600MM (4670) AVAILABLE IN 2M & 25M |
| 14 | 4950 / 4954 | CE7777 | SELF ADHESIVE TAPE (BLACK) 15MM X 2MM X 880MM (4954) AVAILABLE IN 2M & 25M |
| 14 | 4950 / 4954 | CE7801 | SELF ADHESIVE TAPE (BLACK) 15MM X 2MM X 346MM (4954) AVAILABLE IN 2M & 25M |
| 15 | ME600448 | | AIRWASH SLIDER PLATE |
| 16 | CE7738 | | DOOR GLASS |
| 17 | FA9510 | ME7702 | SHOULDER SCREW |
| 18 | MEC8865 | | CATCH SLIDER ASSEMBLY |
| 19 | ME600410 | | DOOR CATCH BLOCK |



| Ref. No. | Product Code | Drawing No. (if different) | Description |
|----------|--------------|----------------------------|---|
| 1 | CA7615 | | CAST DOOR |
| 2 | MEC8619 | | DOOR HANDLE ASSEMBLY |
| 3 | FA500024 | | WAVE SPRING - YRW-0087S17 |
| 4 | FA9508 | FA500016 | SPRING 6.1MM O/D X 0.61MM DIAMETER WIRE X 22.2MM LONG |
| 5 | FA500025 | | TORSION SPRING |
| 6 | CA7635 | | DOOR HANDLE CAM |
| 7 | MEC8636 | | HINGE PLATE ASSEMBLY |
| 8 | ME600392 | | AIR CONTROL HANDLE |
| 9 | ME600449 | | PRIMARY AIR SLIDER PLATE |
| 10 | CA7649 | | AIR SLIDER |
| 11 | CA7648 | | GLASS CLAMP |
| 12 | 4952 / 4957 | CE7818 | INSULATION TAPE (BLACK) 5MM X 2MM X 450MM (4957) - AVAILABLE IN 2M & 25M |
| 13 | 5000 / 4670 | CE7735 | ROPE SEAL (BLACK) Ø14MM X 2300MM (4670) AVAILABLE IN 2M & 25M |
| 13 | 5000 / 4670 | CE7783 | ROPE SEAL (BLACK) Ø14MM X 410MM (4670) AVAILABLE IN 2M & 25M |
| 14 | 4950 / 4954 | CE7739 | SELF ADHESIVE TAPE (BLACK) 15MM X 2MM X 1110MM (4954) AVAILABLE IN 2M & 25M |
| 14 | 4950 / 4954 | CE7803 | SELF ADHESIVE TAPE (BLACK) 15MM X 2MM X 470MM (4954) AVAILABLE IN 2M & 25M |
| 15 | ME600457 | | AIRWASH SLIDER PLATE |
| 16 | CE7705 | | DOOR GLASS |
| 17 | FA9510 | ME7702 | SHOULDER SCREW |
| 18 | MEC8865 | | CATCH SLIDER ASSEMBLY |
| 19 | ME600410 | | DOOR CATCH BLOCK |