

Yeoman

Exmoor/Exe/Devon/County



Freestanding Stove

MULTI FUEL KIT INSTALLATION

For use in GB & IE (Great Britain and the Republic of Ireland).

This kit has been certified for use in countries other than those stated. To install this multi-fuel kit in these countries, it is essential to obtain the translated instructions and in some cases the appliance will require modification. Contact Yeoman for further information.

Models: YM-W9001FL / YM-W9001LC / YM-W9001ERFL / YM-W9001ERLC / YM-W9101FL / YM-W9101LC / YM-W9101ERFL / YM-W9101ERLC / YM-W9102FL / YM-W9102LC / YM-W9102ERFL / YM-W9102ERLC / YM-W9201FL / YM-W9201LC / YM-W9201HC / YM-W9201ERFL / YM-W9201ERLC / YM-W9201ERHC / YM-W9202FL / YM-W9202LC / YM-W9202HC / YM-W9202ERFL / YM-W9202ERLC / YM-W9202ERHC / YM-W9301FL / YM-W9301LC / YM-W9301HC / YM-W9302FL / YM-W9302LC / YM-W9302HC

1. GENERAL

Please refer to Installation Instructions supplied with the appliance (*PM306 Instructions for Use, Installation & Servicing*). If you do not have a copy of this manual visit www.yeoman-stoves.co.uk or contact Yeoman directly.

This document should be fully read and understood in conjunction with the Installation instructions supplied with the appliance and if there are any queries contact your Yeoman dealer.

Exmoor M/F Kit -	YM-A9040CE fits all Exmoor products
Exe M/F Kit-	YM-A9140CE fits all Exe products
Devon M/F Kit-	YM-A9240CE fits all Devon products
County M/F Kit-	YM-A9340CE fits all County products

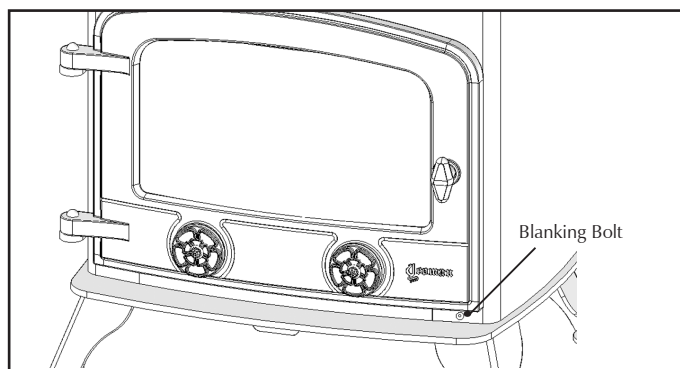
- 1.1 The optional multi-fuel kit enables the burning of manufactured smokeless fuels as listed in User Section, Recommended Fuels.

Remove the log guard and the drop in front plate.

Remove the fire bricks.

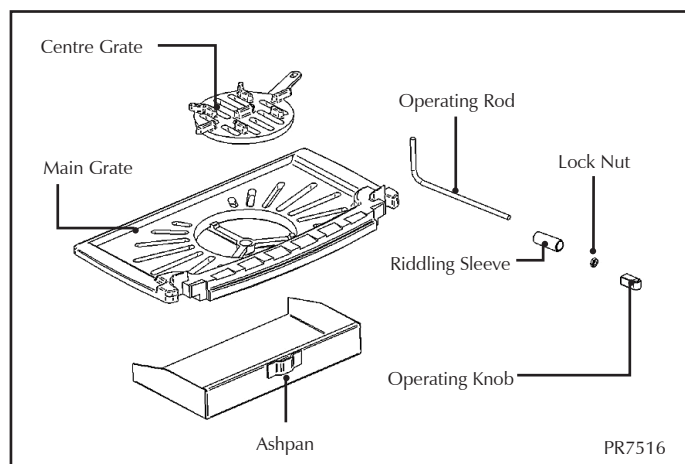
Remove the blanking bolt that is fitted in the grate operating rod hole.

This is located on the front of the stove near the lower right hand corner of the door (not applicable for County models). To do this loosen the M8 nut on the inside of the stove.



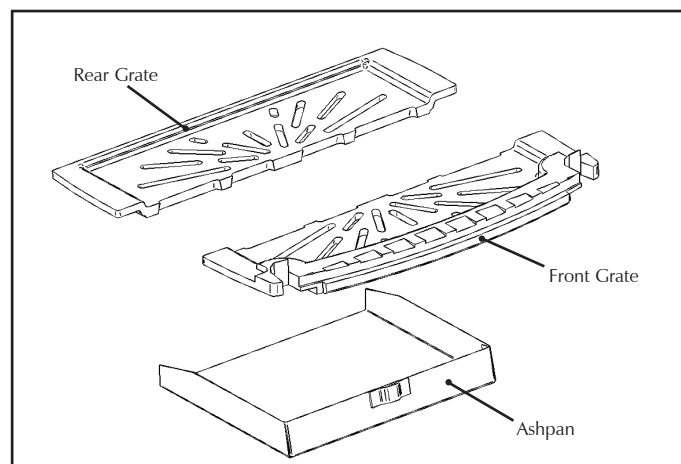
INSTALLATION INSTRUCTIONS

Exmoor, Exe & Devon Models



- 5.2
- Place the main grate into place on the steel runners in the sides of the stove
Ensure that the grate sits flat on the supports.
 - Remove the operating knob and nut from the end of the rod and fit the operating rod to the centre grate by positioning the rod from inside
 - Slide the riddling sleeve over the rod
 - Feed the operating rod through the hole in the front of the appliance from inside the firebox, while dropping the centre grate into position in the main grate.
Ensure that the riddling sleeve is located on the boss on the inside of the carcass.
 - Lock into position with the nut, and refit the operating knob on the front face of the appliance
 - Refit the firebricks above the sides of the main grate*
 - Refit the log guard into slots in the front side of the main grate
 - Place the ashpan under the grate
 - Refit the drop in front plate
 - Check that the door closes and seals correctly

County Model



- 5.3
- Place the rear grate in position on the steel runners as far back as it will go against the rear steel chamber
 - Place the front grate on the steel runners and locate the back edge against the front edge of the rear grate
Ensure the grates sit flat on the supports.
 - Refit the firebricks above the grate*
The reverse of the process of removal.
 - Refit the log guard into slots in the front sides of the front grate
 - Place the ashpan under the grate
 - Refit the drop in front plate
 - Check that the door closes and seals correctly

* **Note: The 2 lower firebricks are not required with the riddling kit.**



Yeoman

A division of Stovax Ltd

Falcon Road, Sowton Industrial Estate, Exeter, Devon, England EX2 7LF

Tel: (01392) 474500 Fax: (01392) 219932

E-mail: yeoman@stovax.com www.yeoman-stoves.co.uk