

Jeoman

The Dartmoor

LOG EFFECT GAS STOVE -
BALANCED FLUE



INSTALLATION, SERVICING AND USER INSTRUCTIONS

For use in Great Britain and the Republic of Ireland (GB, IE)

These instructions are to be left with the customer and should be read carefully and kept in a safe place.

They will be necessary when servicing the appliance



IMPORTANT

THIS APPLIANCE MUST ONLY BE OPENED, INSTALLED AND SERVICED BY A CORGI REGISTERED ENGINEER

Contents

<u>APPLIANCE COMMISSIONING CHECKLIST</u>	3
<u>GUARANTEE</u>	3
<u>USER INSTRUCTIONS</u>	4
<u>INSTALLATION INSTRUCTIONS</u>	9
Technical Specifications	9
Site Requirements	10
Installation	12
<u>COMMISSIONING</u>	18
<u>SERVICING INSTRUCTIONS</u>	19
Fault Finding	19
How to Replace Parts	21
Basic Spare Parts List	25
Service Records	26

APPLIANCE COMMISSIONING CHECKLIST

IMPORTANT NOTICE

Explain the operation of the stove to the end user, hand the completed instructions to them for safe keeping, as the information will be required when making any guaranteed claims.

FLUE CHECK	PASS	FAIL
1. Flue is correct for appliance		
2. Flue flow test N/A		
3. Spillage test N/A		
GAS CHECK		
1. Gas soundness & let by test		
2. Standing pressure test	mb	
3. Appliance working pressure (on High Setting) NB All other gas appliances must be operating on full	mb	
4. Gas rate	m ³ /h	
5. Does ventilation meet appliance requirements		
6. Have controls been upgraded (Upgradeable models only)	8455 Standard	YES NO
	8456 Programmable Thermostatic and Timer	YES NO

DEALER AND INSTALLER INFORMATION

Dealer.....

Installation Company.....

Contact No.

Engineer

Date of Purchase.....

Contact No.....

Model No.

Corgi Reg No.....

Serial No.

Date of Installation.....

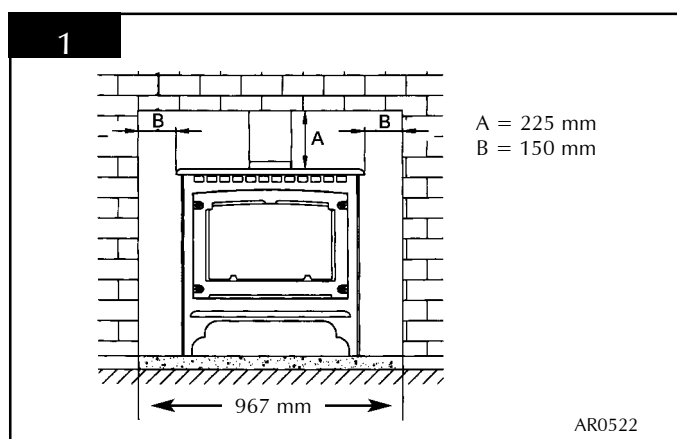
Gas Type.....

This product is guaranteed for 2 years from the date of installation, as set out in the terms and conditions of sale between Yeoman and your local Yeoman dealer. **This guarantee will be invalid, to the extent permitted by law, if the above Appliance Commissioning Checklist is not fully completed by the installer and available for inspection by a Yeoman engineer.** The guarantee will only be valid during the second year, to the extent permitted by law, if the annual service recommended in the Instructions for Use has been completed by a Corgi registered engineer, and a copy of the service visit report is available for inspection by a Yeoman engineer.

USER INSTRUCTIONS

1. GENERAL

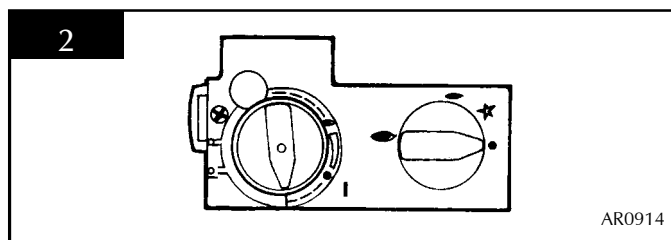
- 1.1 A competent person must carry out installation and servicing.
- 1.2 In all correspondence, please quote the appliance type and serial number, which can be found on the databadge located on a tag/chain behind the appliance.
- 1.3 Ensure that curtains are not positioned above the appliance and there is at least 300mm between the sides of the appliance and any curtains.
- 1.4 If any cracks appear in the glass panel do not use the appliance until the panel has been replaced.
- 1.5 This product is guaranteed for 2 years from the date of installation, as set out in the terms and conditions of sale between Yeoman and your local Yeoman dealer. Please consult with your local Yeoman dealer if you have any questions. In all correspondence always quote the Model Number and Serial Number.
- 1.6 Any combustible shelves or surrounding furniture must only be fitted in accordance with the minimum dimensions detailed in Diagram 1.



- 1.7 Contact a competent service engineer to carry out relevant spillage checks etc. following home improvements carried out after installation of this stove (e.g. the fitting of double glazing).

2. LIGHTING THE STOVE

- 2.1 The controls are at the lower right of the stove:
 - the right-hand knob ignites the pilot
 - the left-hand knob controls the main burner
- 2.2 If you have upgraded your stove to operate with remote control, you must have the pilot lit before you can use the remote (see Section 4 below)
 - Use the following instructions to light the pilot



Pilot Ignition

- Ensure the left-hand control knob is pointing to off (●)
 - Ensure the right-hand control knob is pointing to off (●)
 - Press in the right-hand control knob and rotate it left until a click is heard
 - Keep pressing in and the knob is pointing to pilot (☞)
- The pilot should now light. If the pilot has not lit, repeat the procedure until it lights
- Hold the control knob pressed in for 10 seconds and then release it
- The pilot stays lit. If the pilot goes out, repeat the steps.

Regulating the Main Burner

- 2.3 • Turn the right-hand control to main burner (☰).
The temperature and flame height is now controlled by left-hand knob
 - Turn the left-hand knob to low fire (☰) to light the main burner. Turn the knob anticlockwise to increase the flame height and clockwise to decrease the flame height.**THE YELLOW FLAMES APPEAR WHEN THE FIRE HAS REACHED SUFFICIENT HEAT - TYPICALLY 10 TO 20 MINUTES.**
- 2.4 **If the pilot flame is extinguished, intentionally or unintentionally, do not relight the stove for at least 3 minutes.**

3. TURNING THE STOVE OFF

- 3.1 To turn the burner off,
 - Turn the left-hand control knob to point to off (●)The main burner goes out leaving the pilot burning.
- 3.2 To turn the pilot off:
 - Turn the right-hand control knob to point to off (●)

USER INSTRUCTIONS

4. UPGRADING YOUR STOVE

4.1 Your stove is fitted with a control valve that can be upgraded to battery powered Remote Control. This upgrade can be fitted by anyone capable of simple DIY jobs. Your Yeoman dealer keeps two versions of the remote:

4.2 **STANDARD REMOTE CONTROL (Yeoman PART NUMBER YM-8455)**

This remote controls the gas stove after the pilot has been lit to:

- Turn on the main burner
- Regulate the flame from low to high and back
- Turn off the burner leaving just the pilot burning

4.3 **THERMOSTATIC AND TIMER REMOTE CONTROL (Yeoman PART NUMBER YM-8456)**

This remote controls the gas stove after the pilot has been lit. In 'MANUAL MODE' you can:

- Turn on the main burner
- Regulate the flame from low to high and back
- Turn off the burner leaving just the pilot burning

In 'AUTO MODE' you can:

- Set the room temperature so the stove automatically maintains that temperature

In 'TIMER MODE' the stove:

- Turns on and off according to the set time periods
- Automatically regulates the room temperature during the set periods

NOTE: WHEN OPERATING THE FIRE IN TEMP OR TIMER MODE, THE PILOT REMAINS LIT AND THE FIRE THEN AUTOMATICALLY SWITCHES ON AT PROGRAMMED TIMES TO BRING THE ROOM TO THE SET TEMPERATURE WHETHER OR NOT YOU ARE IN THE ROOM. NEVER LEAVE ANY COMBUSTIBLE MATERIALS WITHIN 1 METRE OF THE FRONT OF THE APPLIANCE.

5. CLEANING THE FIRE

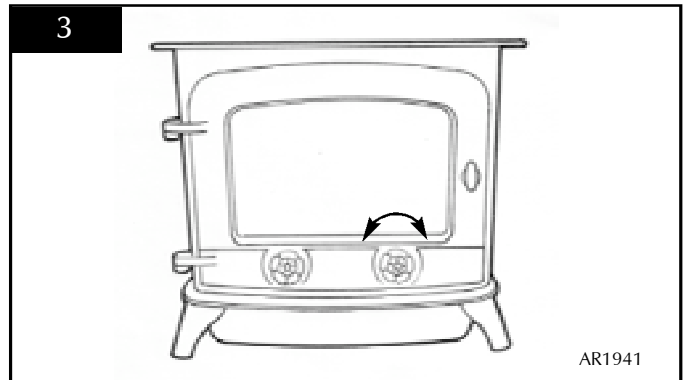
WARNING: DO NOT ATTEMPT TO CLEAN THE STOVE UNTIL IT IS COLD. THE STOVE RETAINS ITS HEAT FOR A CONSIDERABLE TIME AFTER SHUTDOWN.

NOTE: THE CAST IRON DOOR IS HEAVY, TAKE EXTREME CARE WHEN HANDLING.

5.1 **Single Door**

To open the door and access the interior:

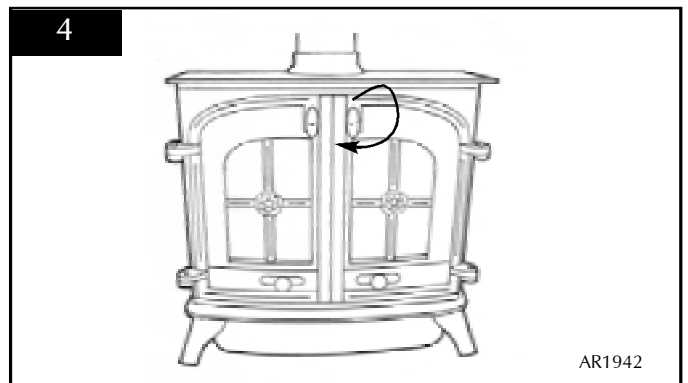
- Turn the right-hand rosette 90°, Diagram 3
- Pull the door open



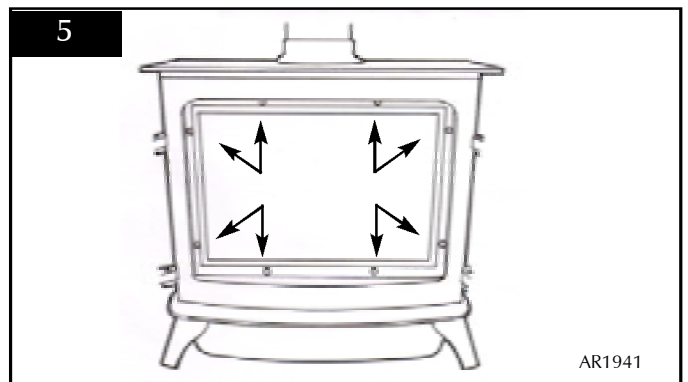
Double Door

To open the door:

- Turn the knob on the right door to release the catch, Diagram 4

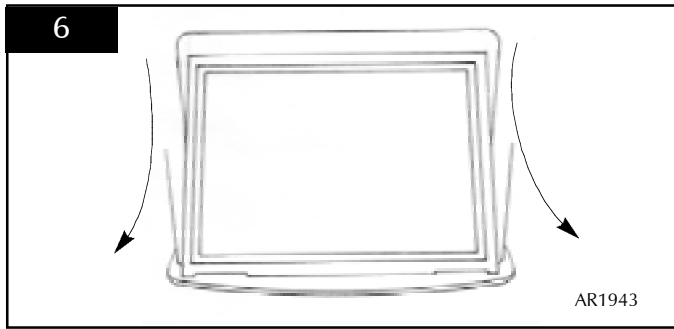


- Remove the glass frame by undoing the eight screws, Diagram 5



- Lower the frame down to clear the top edge before lifting clear, Diagram 6

USER INSTRUCTIONS



- Remove the ceramic fuel bed components and place to one side
You must protect floor covers and **handle the ceramic logs with care**

- 5.3 The logs should not require cleaning:
- Do not use a vacuum cleaner or brush to clean the logs
 - Remove any large debris by hand
 - Make sure no debris blocks the burner ports
- 5.5 See Section 6 to replace the ceramic logs.
- 5.6 Use a damp cloth to clean the outer casing of the stove.

Advice on Handling and disposal of fire ceramics

The fuel effect and side panels in this stove are made from Refractory Ceramic Fibre (RCF), a material commonly used for this stove.

Protective clothing is not required when handling these articles, but we recommend you follow normal hygiene rules of not smoking, eating or drinking in the work area and always wash your hands before eating or drinking.

During installation and servicing a HEPA filtered vacuum is recommended to remove any dust accumulated in and around the stove before and after working on it to reduce RCF fibres. On servicing the stove we recommend any replaced items are not broken up, but are sealed within heavy duty polythene bags and labelled as RCF waste.

RCF waste is classed as stable, non-reactive hazardous waste and may be disposed of at a licensed landfill site.

Excessive exposure to these materials may cause temporary irritation to eyes, skin and respiratory tract; wash hands thoroughly after handling the material.

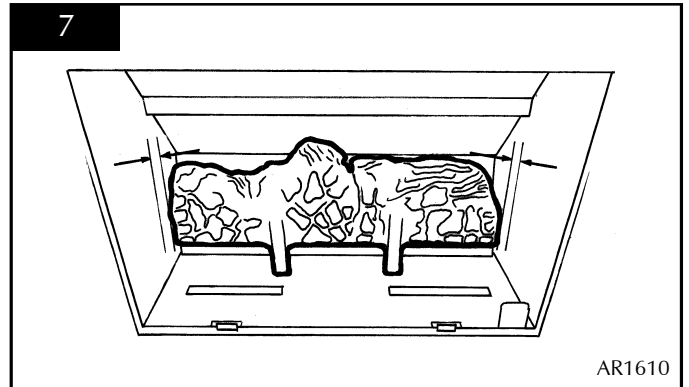
6. FUEL BED ARRANGEMENT

- Open the door as set out in Section 5 above

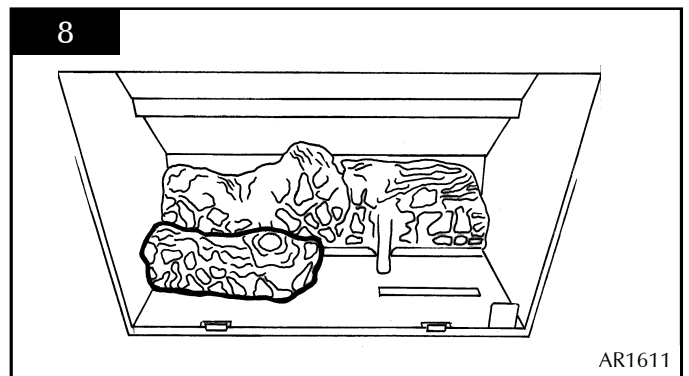
The fuel bed consists of 5 logs and 2 ash panels. The logs have letters A,B,C,D and E moulded into them for identification.

- 6.1
- Take the rear log A

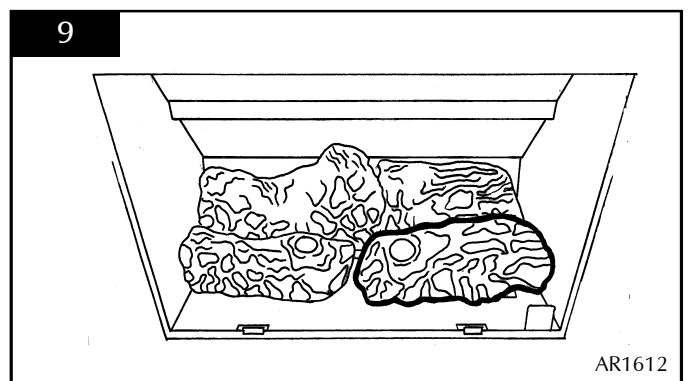
- Place it up against the rear of the fire sitting on the two flat ledges of the burner. The two legs of the log should sit between the rear burner ports. See Diagram 7
- Ensure there is an equal gap between the sides of the firebox at each end of the log



- 6.2
- Place log B on the left-hand side of the burner with the location bar on its underside slid into the long slot of the burner
 - Make sure the log is as far left as possible, Diagram 8

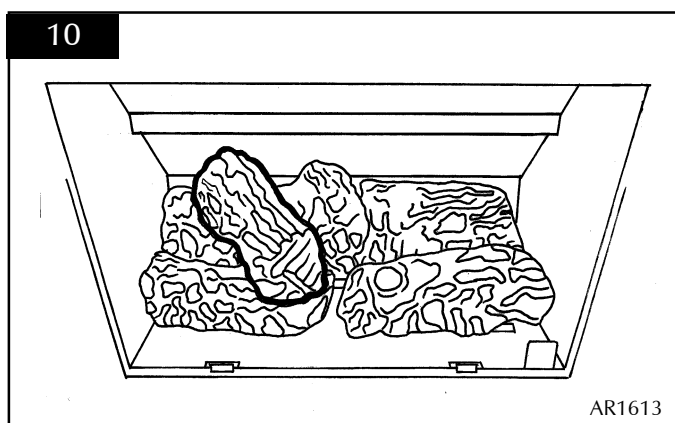


- 6.3
- Place log C on the right-hand side of the burner with the location bar on its underside slid into the long slot of the burner.
 - Make sure the log is as far right as possible, Diagram 9

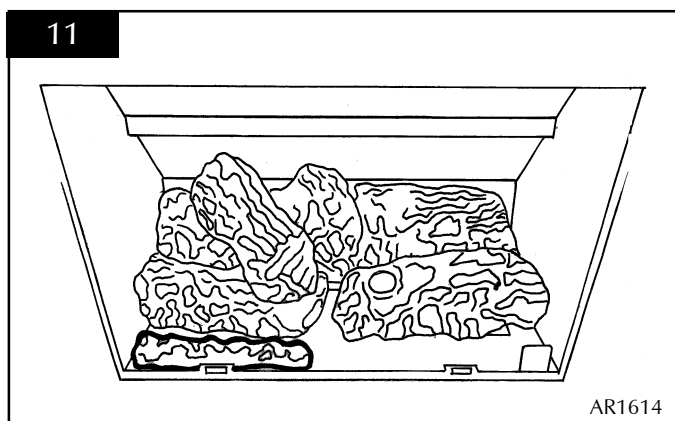


- 6.4
- Place log D across from the rear log A to log B on the left-hand side. There are cut-outs in both logs for location, Diagram 10

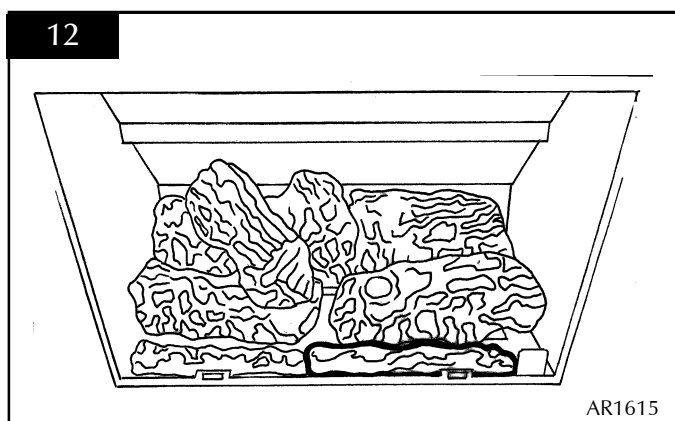
USER INSTRUCTIONS



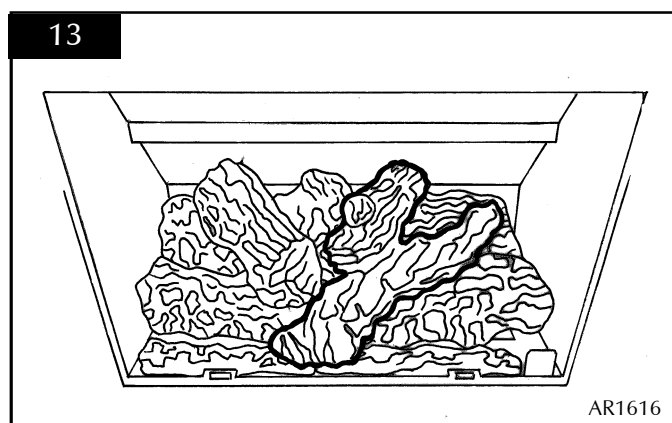
- 6.5 There are two ash panels to lie across the front of the burner.
- Place the panel with the flat edge facing the left side of the firebox. There are location holes on this log fitting the screw holes on the burner.



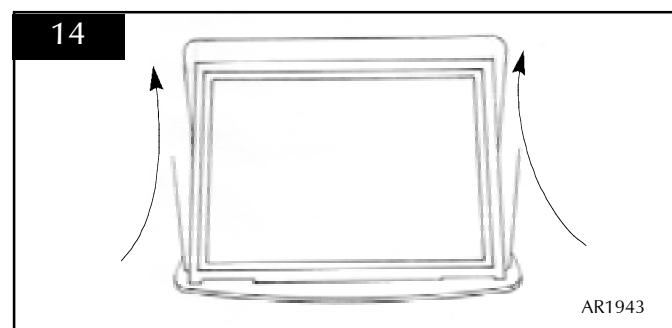
- Place the second ash panel to the right of the first, the pointed end of this panel fitting the V shape and fitting the screw holes on the burner.
- Ensure that both logs are horizontal to the burner ports.



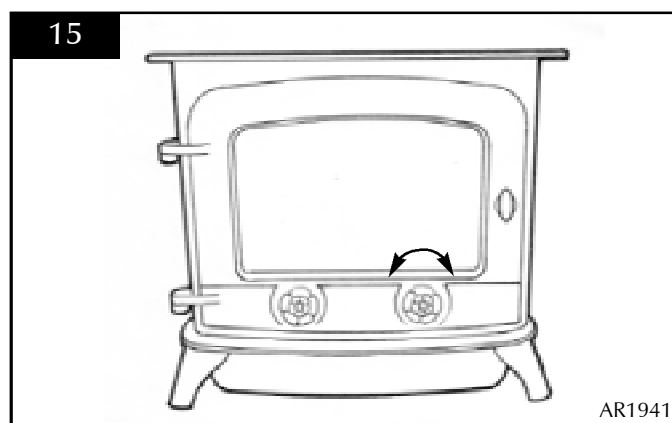
- 6.6
- Place log E across from the rear of log A to log C on the right-hand side using the shaped cut-outs as location guides. The front of the log should sit on the front ash panels and should fit tight to log C, Diagram 13



- 5.7
- Manoeuvre the frame under the top edge to secure in place, Diagram 14



- Replace the six screws. Do not overtighten, Diagram 15



- 6.8 **Single Door**
- Push the door closed
 - Turn the right-hand rosette until the catch holds the door firm

Double Door

- Push the door closed
- Turn the knob on the right door until the catch holds the door closed

NEVER OPERATE THE STOVE WHEN THE DOOR IS REMOVED OR WHEN THE GLASS IS BROKEN.

USER INSTRUCTIONS

7. THE FLAME FAILURE DEVICE

This is a safety feature incorporated in all Gazco fires to automatically switch off the gas supply if the pilot light goes out and fails to heat the thermocouple.

8. 'RUNNING IN'

The surface coating on your Yeoman stove 'burns off' during the first 24 hours of operation on high, producing a harmless and temporary odour. If the odour persists ask your retailer for advice.

9. SERVICING

A qualified gas engineer must service the stove every 12 months. In all correspondence, always quote the stove type and the Serial Number found on the data badge on the stove.

10. VENTILATION

Any purpose provided ventilation should be checked periodically to ensure it is free from obstruction.

11. INSTALLATION DETAILS

To assist in any future correspondence, your installer should have completed the Appliance Commissioning Checklist in this manual. This records the essential installation details of this stove. In all correspondence always quote the Model No. and Serial No.

12. HOT SURFACES

Parts of this stove become hot during normal use. It is recommended that a suitable fire guard be used for protection of young children and the infirm. Indeed, all parts of the stove should be treated as a 'working surface' except for the control area.

INSTALLATION INSTRUCTIONS

TECHNICAL SPECIFICATION

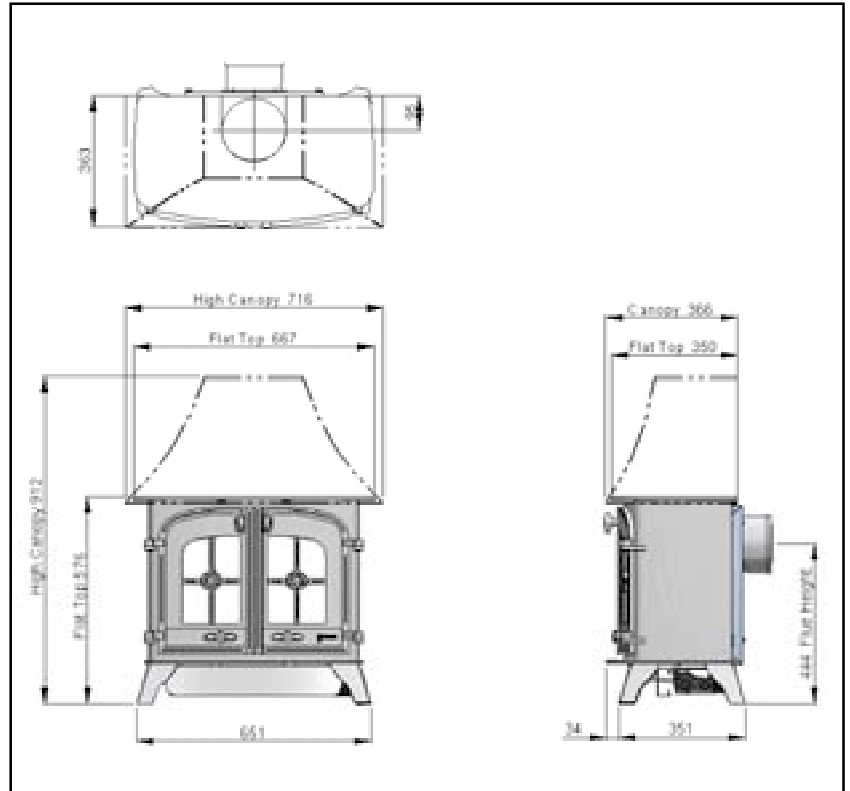
Model CAT.	Gas	Gas Type	Working Pressure	Aeration	Injector	Gas Rate m ³ /h	Input kW (Gross)		Country
							High	Low	
Dartmoor: YM-N9201BFLUC YM-N9201BFLUCHC	I _{2H}	Natural Gas G20	20 mbar	ø14.5 mm	375	0.611	6.4 Gross	3.2 Gross	GB,IE
Dartmoor: YM-N9201BFLUC YM-N9201BFLUCHC	I ₃₊	LPG Propane G31 LPG Butane G30	37 mbar 29 mbar	2 x ø12 2 x ø14.5	165	0.166 0.219	6 Gross	3.2 Gross	GB,IE
Rear Exit Flue	Wall Thickness	MIN MAX	200 mm 550mm						
Efficiency Class I Flue Outlet Size ø150 mm, Flue Inlet Size ø100mm Gas Inlet Connection Size ø8 mm									
RESTRICTOR REQUIREMENT									
Vertical & Horizontal Flue Specification									
Vertical Flue Height From Top of Appliance			Horizontal Length			Restrictor Size			
500mm up to 1490mm			250mm up to 1000mm			No Restrictor			
1500mm up to 3000mm			250mm up to 5000mm			ø75mm			
TOP EXIT - VERTICAL ONLY INCLUDING OFFSET									
Vertical Flue Height From Top of Appliance			Restrictor Size						
3000mm up to 4990mm			ø52mm						
5000mm up to 10,000mm			ø47mm						

Packing Checklist

Qty Description

- 1 Stove
- 1 Flue Blanking plate
- 1 Flue In fill plate
- 1 Log set*
- 1 Flame Baffle*
- 1 Front Coal*
- 1 Fixing kit containing
- 1 Instruction Manual
- 2 Wood screws
- 2 Rawlplugs
- 1 Box spanner

*Packed in stove



INSTALLATION INSTRUCTIONS

SITE REQUIREMENTS

1. FLUE AND CHIMNEY REQUIREMENTS

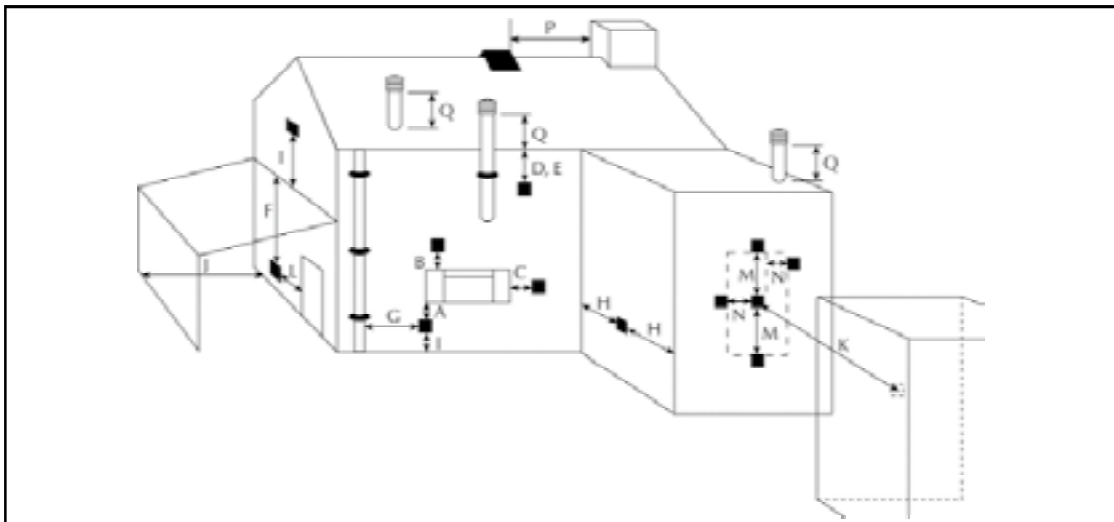
NOTE: This appliance can only be installed in conjunction with the flue supplied.

- 1.1 The flue must be sited in accordance with BS5440: Part 1 (latest edition). See Diagram 1.
- 1.2 Any terminal which is less than 2 metres above any access (level ground, balcony or above a flat roof to which people have access), is to be fitted with the guard.
- 1.3 All vertical and horizontal flues must be securely fixed and fire precautions followed in accordance with local and national codes of practice.
- 1.4 A restrictor may be required. Refer to Technical Specifications on previous page.

1.1 TIMBER FRAMED BUILDINGS

- 1.5 It will be necessary to provide additional clearance when the fire passes through a wall containing any combustible materials so as to prevent a fire hazard.
- 1.6 The hole through which the flue will pass, must have a steel sleeve which is positioned so that an air gap of at least 25mm is maintained between the outer surface of the flue, and any part of the sleeve.
- 1.7 For further guidance on the installation of gas appliances in timber framed buildings, contact your local buildings control authority.

NOTE: ATTENTION MUST BE GIVEN TO ALLOWING ADEQUATE CLEARANCE AT THE SIDES AND REAR OF THE STOVE, TO PROVIDE ACCESS FOR SERVICING.



Dimension	Terminal Position	Minimum Distance (mm)
A	Directly below an opening, air brick (0-7 kW) opening windows, etc (>7-14kW)	300mm 600mm
B	Above an opening, air brick (0-7 kW) opening windows, etc (>7-14kW)	300mm 300mm
C	Horizontal to an opening, air brick (0-7 kW) opening windows, etc (>7-14kW)	300mm 400mm
D	Below gutters, soil pipes or drain pipes	300mm
E	Below eaves	300mm
F	Below balconies or car port roof	600mm
G	From a vertical drain pipe or soil pipe	300mm
H	From an internal or external corner	600mm
I	Above ground roof or balcony level	300mm
J	From a surface facing the terminal	600mm
K	From a terminal facing the terminal	600mm
L	From an opening in the car port (e.g. door, window) into dwelling	1200mm
M	Vertically from a terminal on the same wall	1500mm
N	Horizontally from a terminal on the same wall	300mm
O	From the wall on which the terminal is mounted	N/A
P	From a vertical structure on the roof	600mm
Q	Above intersection with roof	300mm

INSTALLATION INSTRUCTIONS

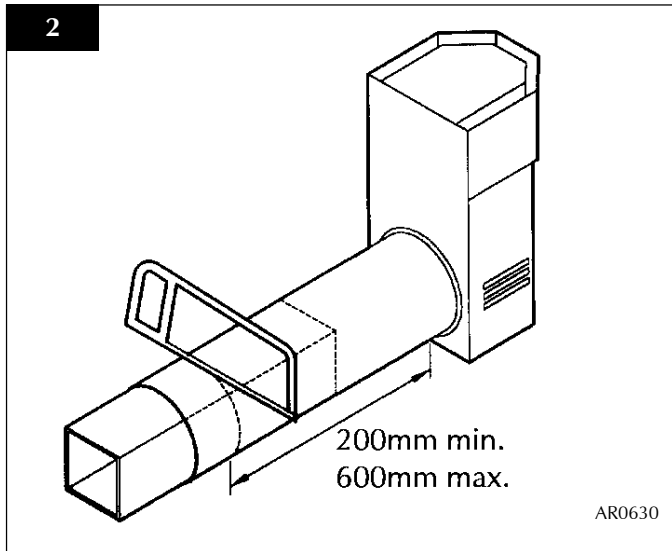
SITE REQUIREMENTS

1.2 REAR FLUE 8526

Terminal dimensions:

395 x 200 x 200 mm (H x W x D)

Cut to length as required on site.



Guard Supplied.

INSTALLATION INSTRUCTIONS

INSTALLATION

1. CONTROL UPGRADE

1.1 Your stove is fitted with a control valve that can be upgraded to battery powered Remote Control. This upgrade can be fitted by anyone capable of simple DIY jobs. Your Yeoman dealer keeps two versions of the remote:

1.2 **STANDARD REMOTE CONTROL (Yeoman PART NUMBER YM-8455)**

This remote controls the gas stove after the pilot has been lit to:

- Turn on the main burner
- Regulate the flame from low to high and back
- Turn off the burner leaving just the pilot burning

1.3 **THERMOSTATIC AND TIMER REMOTE CONTROL (Yeoman PART NUMBER YM-8456)**

This remote controls the gas stove after the pilot has been lit. In 'MANUAL MODE' you can:

- Turn on the main burner
- Regulate the flame from low to high and back
- Turn off the burner leaving just the pilot burning

In 'AUTO MODE' you can:

- Set the room temperature so the stove automatically maintains that temperature

In 'TIMER MODE' the stove:

- Turns on and off according to the set time periods
- Automatically regulates the room temperature during the set periods

2. SAFETY PRECAUTIONS

2.1 For your own and other's safety, you must install this stove according to local and national codes of practice. Failure to install the stove correctly could lead to prosecution:

- Read these instructions before installing and using this stove.

2.2 All the instructions must be left intact with the user.

2.3 Make sure you install the stove in a sufficiently ventilated space.

2.4 This stove is intended for use on a governed gas installation and set to the required pressure.

2.5 Keep all plastic bags away from young children.

2.6 Do not place any object on or near the stove and allow adequate clearance above the stove. See Diagram 2 and 2A, Site Requirements.

2.7 The stove is fitted with the Gazco Flue Sure System which cuts off the gas supply to the burner if the flue does not operate correctly. This means there may be insufficient flue pull. If this happens, wait 10 before trying to relight.

Repeated shutdown may indicate a serious problem. You must investigate both the flue and the Flue Sure device - refer to *Servicing Instructions, Replacing Parts, Section 3*.

3. INSTALLATION OF THE STOVE

Flue Pipe Installation

The stove is factory built for rear and top flue exit

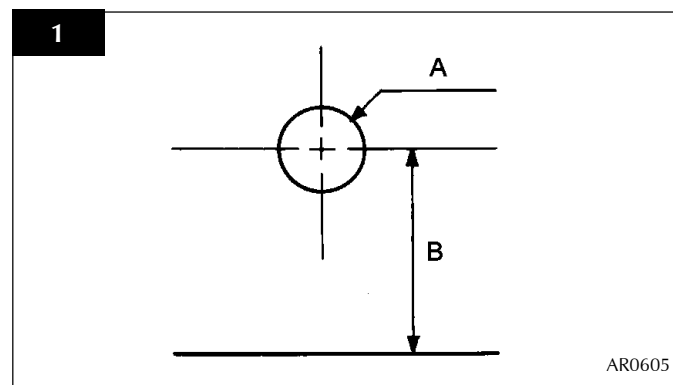
3.1 • Unpack the accessories carton and stove unit

- Position the stove observing all clearance measurements
- Adjust the balance of the stove using the bolts in the legs to make it level

3.2 Rear Exit Flue

WALL THICKNESS	MIN	200 mm	MAX	600 mm
----------------	-----	--------	-----	--------

- Unpack the adjustable flue and terminal guard
- Take care not to lose fixings
- Decide on final stove position
- Ensure you comply with clearance for external flue terminal, see Site Requirements, 1.
- Mark the centreline of the stove on the wall
- Mark the height from the hearth to the flue centre, Diagram 1



TAKE CARE WHEN MARKING OUT FOR THIS FLUE; IT IS DIFFICULT TO MOVE FOLLOWING INSTALLATION

- Create a 152mm (6") diameter hole for the flue by
 - a) Core Drill
 - b) Hammer and chisel(We advise drilling small holes around the circumference for method b). Make good at both sides of the hole.

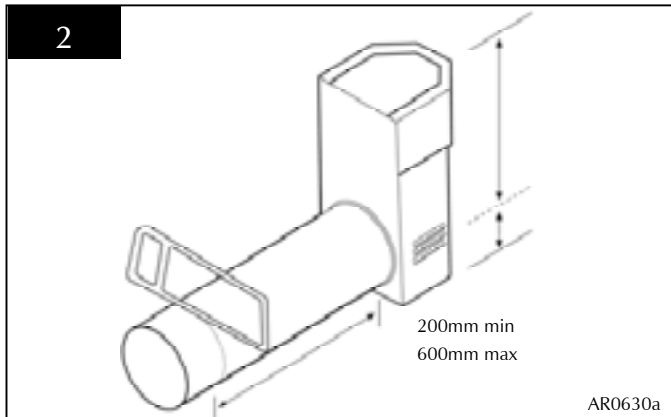
3.3 Setting the flue length

- Measure the total wall thickness and add 65mm - this gives a minimum clearance between the back of the stove and the wall.
- Insert the square cardboard fitment into the flue to support the inner flue
- Cut through the flue and fitment, Diagram 2

INSTALLATION INSTRUCTIONS

INSTALLATION

- Remove the remnant of cardboard
- File the newly cut edges to smooth



3.5 External Fixings

From outside:

- Push the flue assembly through the hole until the terminal is flat against the wall
- Make sure the terminal is vertical **NOTE ITS ORIENTATION, DIAGRAM 3**
- Mark the four fixing holes
- Remove the terminal
- Drill the holes
- Fill with supplied rawlplugs

DO NOT FIX THE TERMINAL AT THIS STAGE

3.6 From inside:

- Position the stove observing all clearances

3.7 From outside:

- Apply a bead of suitable weatherproof sealant (silicone or similar) around the perimeter of the back of the terminal, see 'B', Diagram 3
- Feed the flue through the wall ensuring it travels smoothly

3.8 From inside:

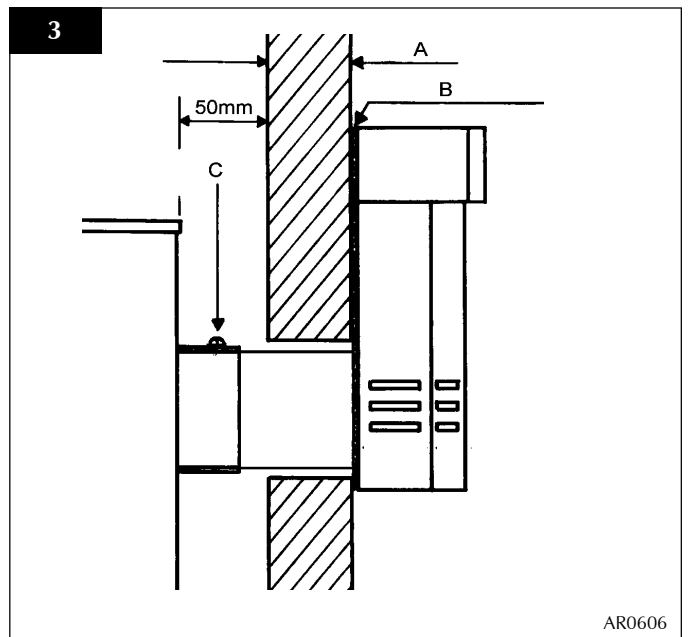
- Engage the inner flue in the inner spigot and the outer flue in the outer spigot
- Ensure the rubber seals on the spigots are intact

3.9 From outside:

- Insert four screws in the flanges of the flue terminal
- Make sure the sealant has formed a water tight joint to the wall

3.10 From Inside

- Secure the flue to the spigot by drilling a 3.5 mm hole through the larger hole in the spigot and insert the stainless steel screw supplied, see 'C' Diagram 3



Any terminal less than 2 metres above any access (at ground level, balcony or above a flat roof where people have access) must be fitted with the guard supplied, Diagram 4.

4. TOP EXIT

There are two types of exit flue terminal: horizontal and vertical.

For horizontal:

- Decide on the terminal position
- Measure the height from the top of the fire to the centre of the required hole

For minimum and maximum dimensions, see Diagram 3.

To fit the flue you must have access to the top or the side of the fire to connect the flue. When a horizontal terminal is used:

- Assemble the vertical sections
- Add the 90° elbow
- Add the horizontal section and terminal – only the horizontal part can be reduced in size

A masonry installation requires the addition of a suitable lintel to support the opening. Refer to *Balanced Flue Technical Information* for details of the flue length.

5. TOP FLUE UP AND OUT KIT

This flue rises vertically from the top of the fire, then continues horizontally outward. Diagram 3.

The basic kit comprises:

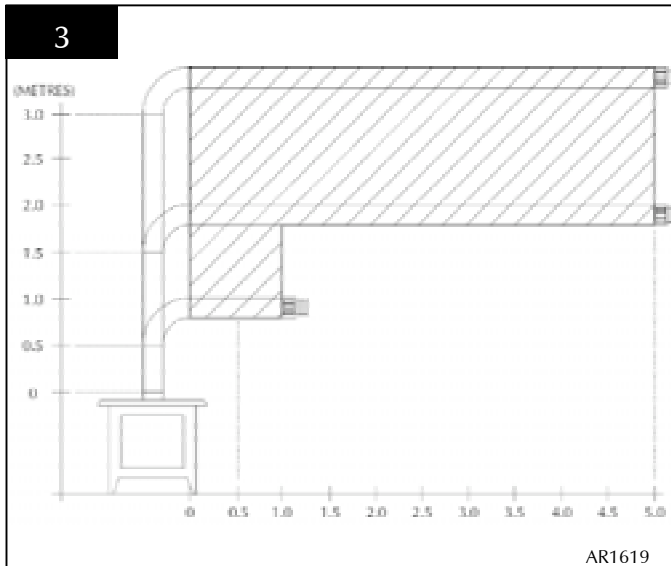
- 1 x 500mm vertical length
- 1 x 500mm terminal length
- 1 x 90 degree elbow

INSTALLATION INSTRUCTIONS

INSTALLATION

1 x wall plate

1 x 75mm restrictor fixing screws

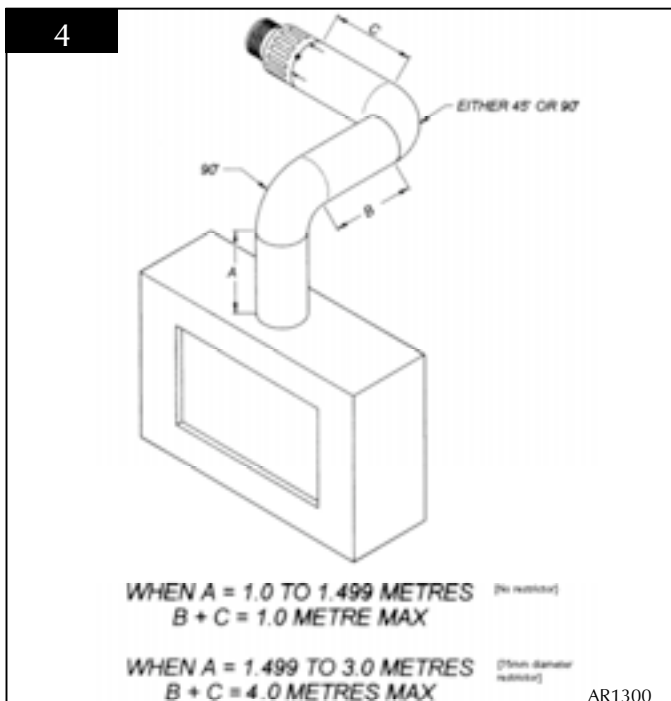


This kit provides the minimum materials and extra lengths can be added to the vertical and horizontal sections; refer to the next section (6) and Diagram 3.

Refer to the *Technical Specification* page to identify when to use a restrictor.

6. TOP FLUE UP AND OUT WITH ADDITIONAL BEND

An additional bend can be used on the horizontal section (45° or 90°) but the overall horizontal flue is reduced. Diagram 4.



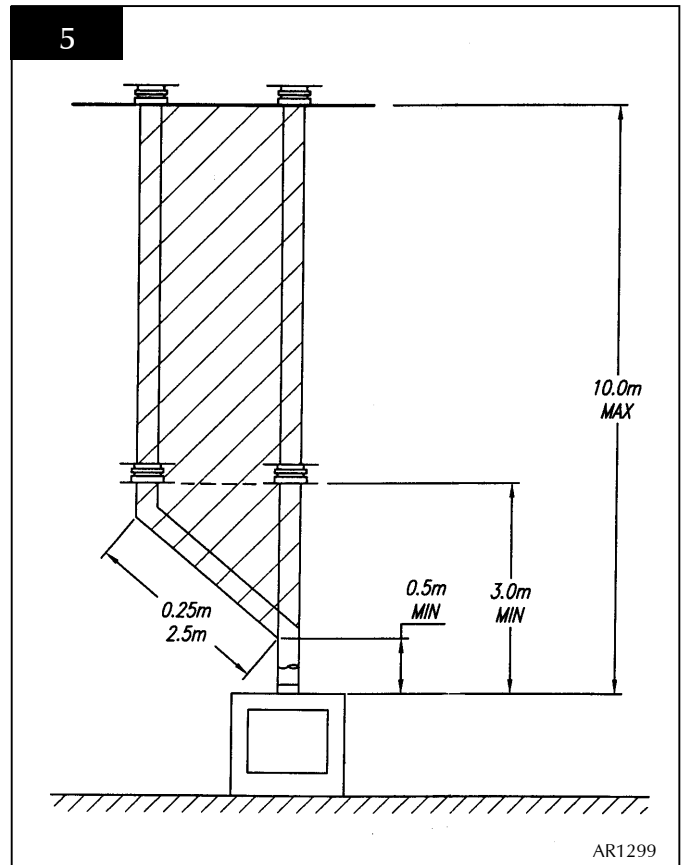
7. TOP FLUE VERTICAL OFFSET KIT - ALL FIRES

This flue is vertical from the top of the fire, Diagram 5. A minimum vertical rise of 3m (9'10") to a maximum of 10m (32'10").

The basic kit comprises:

- 2 x 1m lengths
- 1 x 1m terminal lengths
- 1 x 52mm restrictor
- 1 x 47mm restrictor

Extra lengths can be added, refer to Diagram 4. Refer to the *Technical Specification* page to identify when to use a restrictor.



INSTALLATION INSTRUCTIONS

INSTALLATION

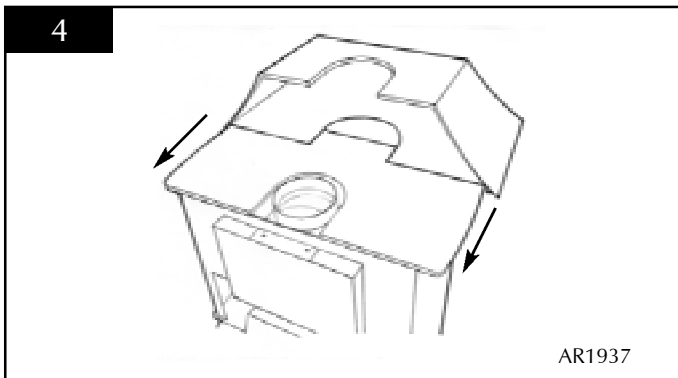
9. OPTIONAL EXTRA FLUE LENGTHS AND BENDS

Nominal Length	Actual Length	Stainless Finish	Anthracite Finish
200mm	140mm	8527	8527AN
500mm	440mm	8528	8528AN
1000mm	940mm	8507	8507AN
40° Bend	N/A	8507	8507AN
90° Bend	N/A	8508	8508AN
Optional Flue Collar (Stoves Only)		N/A	8548

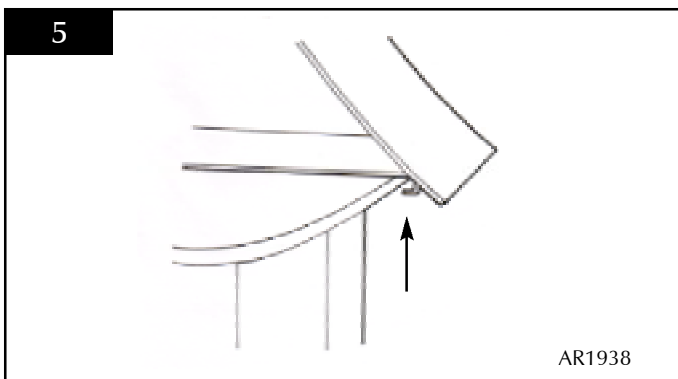
Canopy Fitting

3.3 To fit the canopy to the top of the stove:

- Slide the canopy over the top plate, Diagram 4



- Make sure the stove top fits into the guide along the bottom of the canopy, Diagram 5



- Push the canopy back until it hits the stop
- Make sure the canopy sits square on top of the stove

4. GAS SUPPLY

- 4.4
- Run the gas supply to the stove and **PURGE THE SUPPLY PIPE**. This is essential to expel any debris that may block the gas controls.
 - Connect the gas supply to the 8mm compression elbow at the right-hand rear corner of the stove
 - Check the gas soundness up to the gas inlet connection
 - Check the pull of the flue system by applying a lighted smoke pellet to the flue system opening. If there is a definite flow into the chimney, carry on with the installation. If not, repeat after warming the chimney for a few minutes.
- IF THERE IS STILL NO DEFINITE FLOW, THE FLUE MAY REQUIRE ATTENTION - SEEK EXPERT ADVICE**
- 4.5
- The flue system can now be connected to the stove:
- Make sure all joints are sealed with a suitable fire resistant sealant. We advise you to use a physical retention method at the flue spigot joint using self-tapping screws.
- 4.6
- Connect a suitable pressure gauge to the test point on the inlet fitting and turn on the gas
 - Light the stove and check all gas joints for gas soundness
 - Turn the stove to maximum and check the supply pressure is as stated on the databadge
 - Turn off the gas and replace the test point screw
 - Turn on the gas and check the test point for gas soundness

Advice on Handling and disposal of fire ceramics

The fuel effect and side panels in this stove are made from Refractory Ceramic Fibre (RCF), a material which is commonly used for this application.

Protective clothing is not required when handling these articles, but we recommend you follow normal hygiene rules of not smoking, eating or drinking in the work area and always wash your hands before eating or drinking.

To ensure that the release of RCF fibres are kept to a minimum, during installation and servicing a HEPA filtered vacuum is recommended to remove any dust accumulated in and around the stove before and after working on it. When servicing the stove it is recommended that the replaced items are not broken up, but are sealed within heavy duty polythene bags and labelled as RCF waste.

RCF waste is classed as stable, non-reactive hazardous waste and may be disposed of at a licensed landfill site.

Excessive exposure to these materials may cause temporary irritation to eyes, skin and respiratory tract; wash hands thoroughly after handling the material.

INSTALLATION INSTRUCTIONS

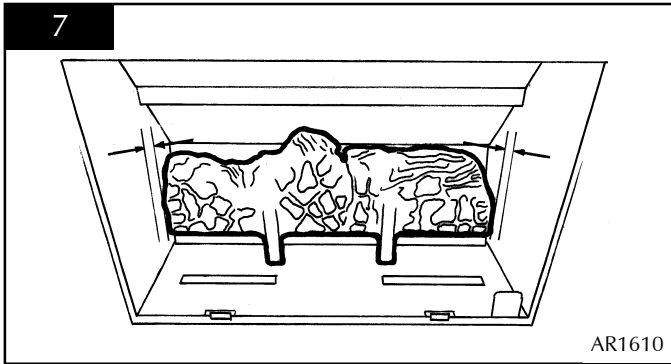
INSTALLATION

5. FUEL BED ARRANGEMENT

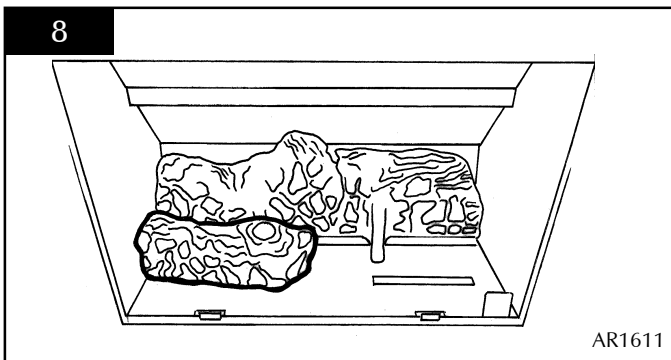
- Open the door as set out in Section 5 of the *Users Instructions*
- Remove all the protective packaging from the components

The fuel bed consists of 5 logs and 2 ash panels. The logs have letters A,B,C,D and E moulded into them for identification.

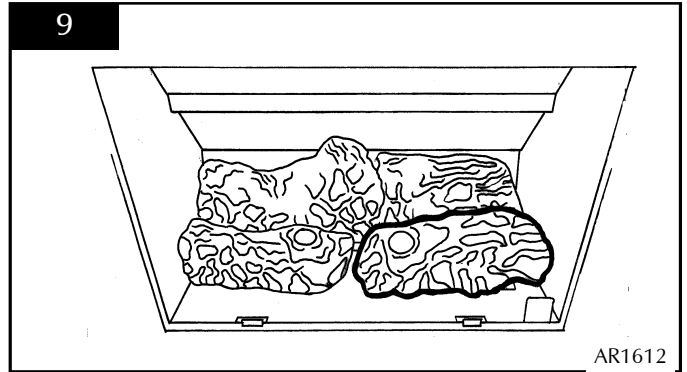
- 5.1
- Take the rear log A
 - Place it up against the rear of the fire sitting on the two flat ledges of the burner. The two legs of the log should sit between the rear burner ports. See Diagram 7
 - Ensure there is an equal gap between the sides of the firebox at each end of the log



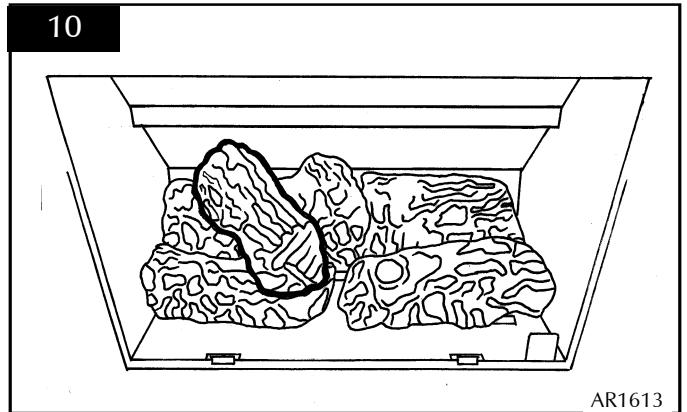
- 5.2
- Place log B on the left-hand side of the burner with the location bar on its underside slid into the long slot of the burner
 - Make sure the log is as far left as possible, Diagram 8



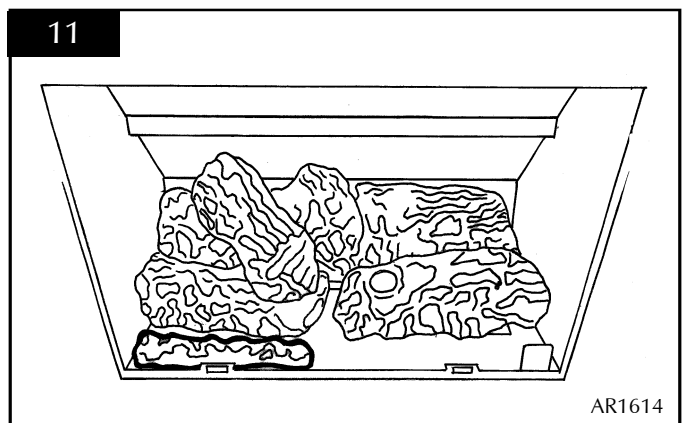
- 5.3
- Place log C on the right-hand side of the burner with the location bar on its underside slid into the long slot of the burner.
 - Make sure the log is as far right as possible, Diagram 9



- 5.4
- Place log D across from the rear log A to log B on the left-hand side. There are cut-outs in both logs for location, Diagram 10



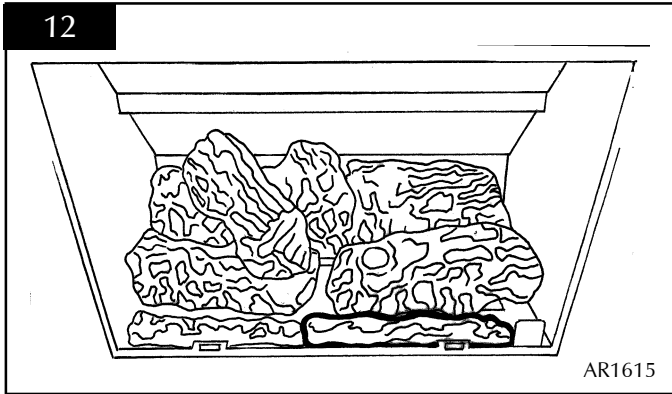
- 5.5
- There are two ash panels to lie across the front of the burner.
- Place the panel with the flat edge facing the left side of the firebox. There are location holes on this log fitting the screw holes on the burner.



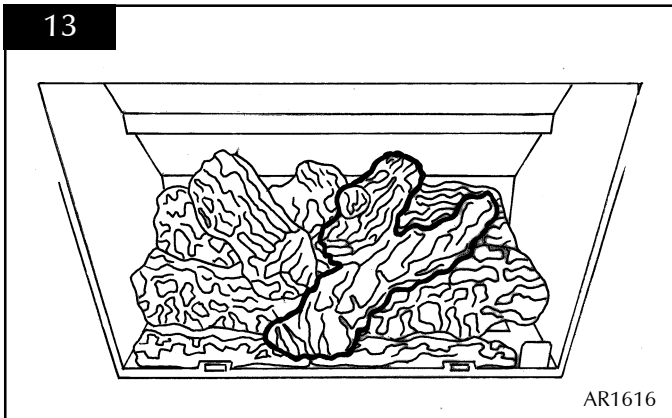
- Place the second ash panel to the right of the first, the pointed end of this panel fitting the V shape and fitting the screw holes on the burner.
- Ensure that both logs are horizontal to the burner ports.

INSTALLATION INSTRUCTIONS

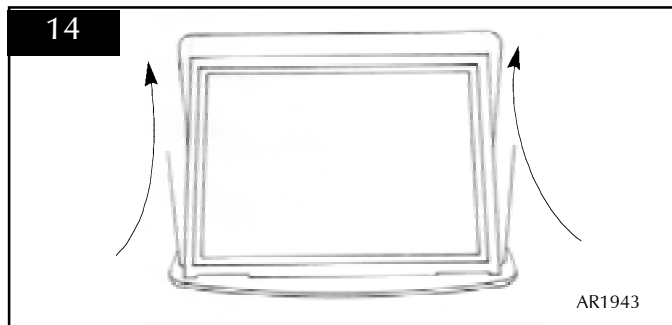
INSTALLATION



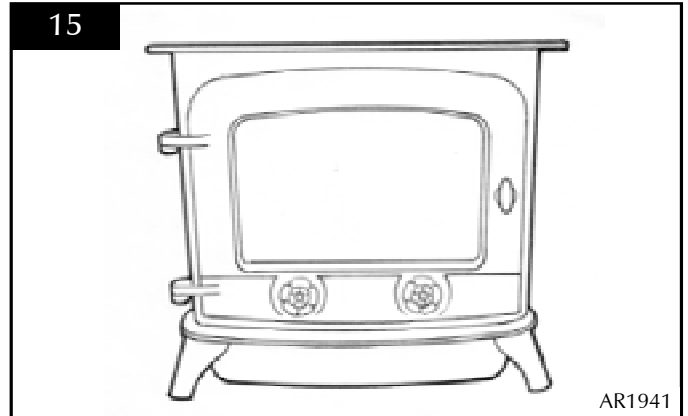
- 5.6
- Place log E across from the rear of log A to log C on the right-hand side using the shaped cut-outs as location guides. The front of the log should sit on the front ash panels and should fit tight to log C, Diagram 13



- 5.7
- Manoeuvre the frame under the top edge to secure in place, Diagram 14



- Replace the six screws. Do not overtighten, Diagram 15



6.8 **Single Door**

- Push the door closed
- Turn the right-hand rosette until the catch holds the door firm

Double Door

- Push the door closed
- Turn the knob on the right door until the catch holds the door closed

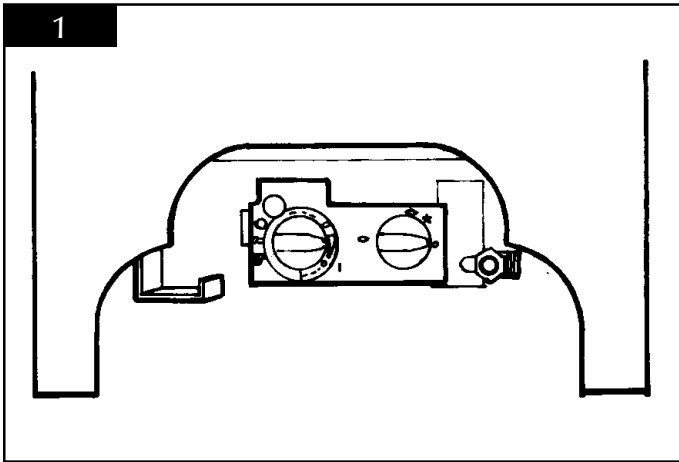
NEVER OPERATE THE STOVE WHEN THE DOOR IS REMOVED OR WHEN THE GLASS IS BROKEN.

INSTALLATION INSTRUCTIONS

COMMISSIONING

1. COMMISSIONING

- 1.1 Having run the gas supply to the stove:
- Purge the Supply Pipe to expel any debris blocking the gas controls
 - Connect the gas supply to the 8mm compression elbow at the RH rear of the stove, see diagram 1



- 1.2
- Connect suitable pressure gauge to the test point on inlet fitting
 - Turn gas supply on
 - Light and check all gas joints and seals for leaks
 - Turn to maximum and check gas supply pressure as stated on the data badge
 - Turn gas off and replace the test point screw
 - Turn gas on and check test point for leaks
- 1.3
- Check that you have complied with the *Installation Instructions* and any local regulations
 - Complete the Appliance Commissioning Checklist at front of Instructions and explain the operation of the appliance to the user
 - Hand the completed instructions to the user for safe keeping, as this information is required when making any guarantee claims.

SERVICING INSTRUCTIONS

SERVICING/FAULT FINDING

1. SERVICING REQUIREMENTS

This stove must be serviced at least once a year by a competent person.

All tests must be serviced by best practice as described by the current CORGI recommendations.

Refer to ADVICE ON HANDLING AND DISPOSAL OF FIRE CERAMICS In *Installation Instructions* section 5

1.1 Before any tests are undertaken on the stove:

- Conduct a gas soundness test for the property to ensure there are no gas leaks prior to starting work.

1.2 Fully check the operation of the stove

Special checks

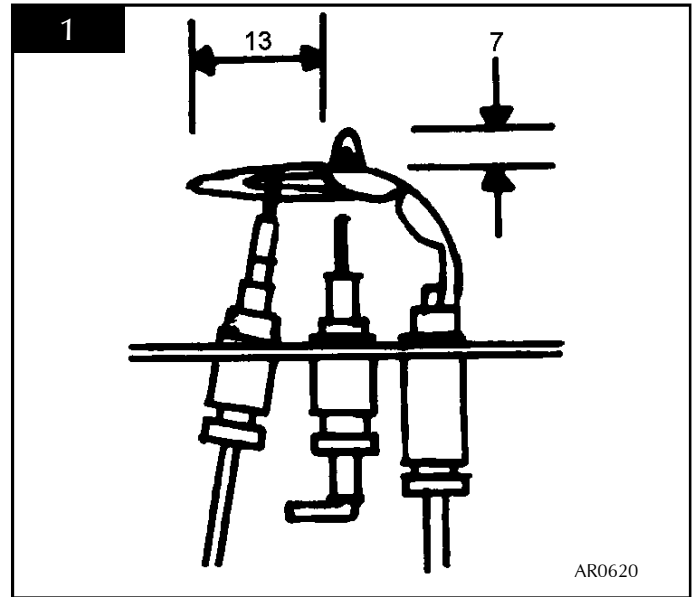
1.2.1 Clean any lint or fluff from the pilot - pay particular attention to the aeration hole in the side of the pilot

1.2.2 Clean away any fluff or lint from under the burner

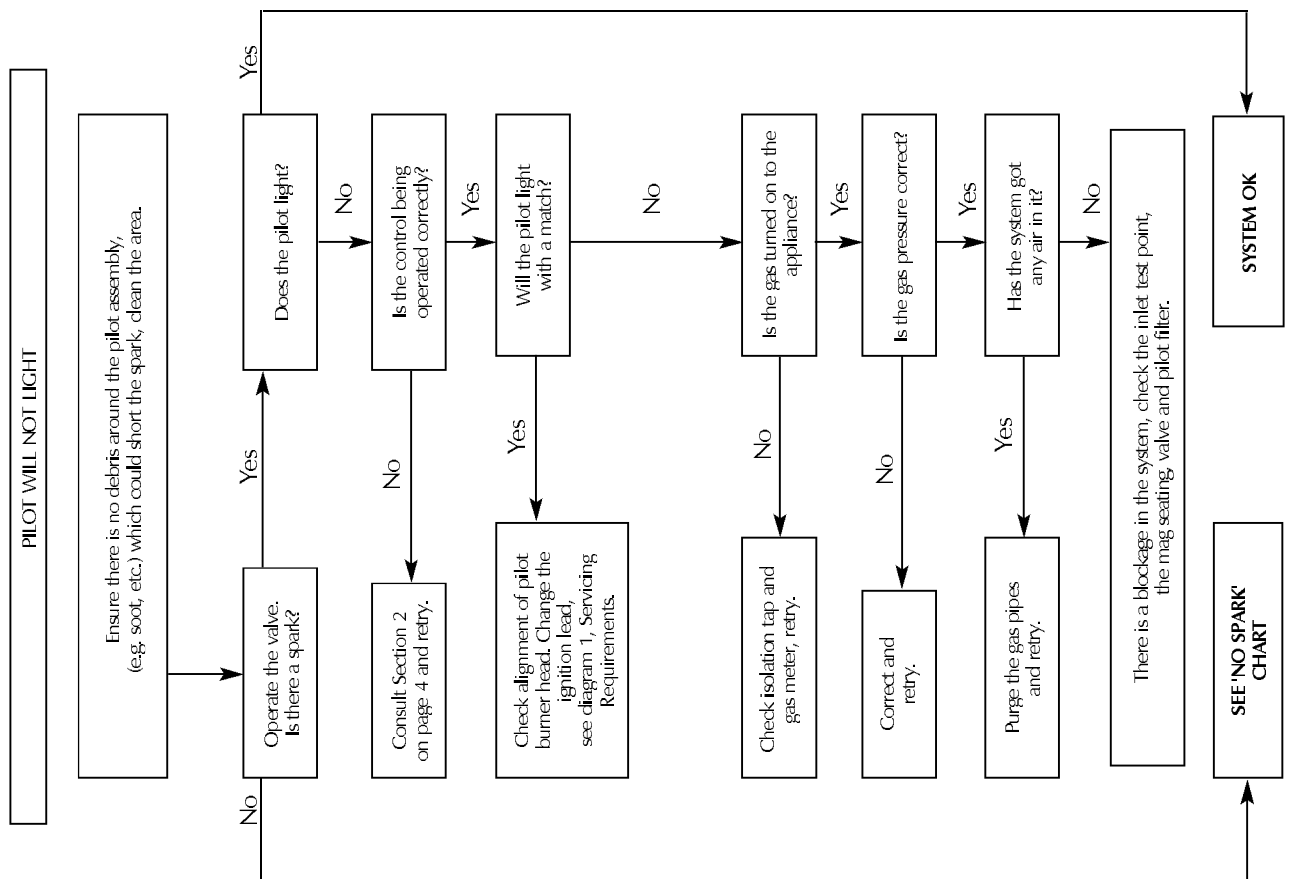
1.2.3 Check the spark gap on the pilot is correct

- Correct any faults found during the initial tests
- Re-commission the stove conducting the usual safety checks

1.3 Advise the customer of any remedial action taken.



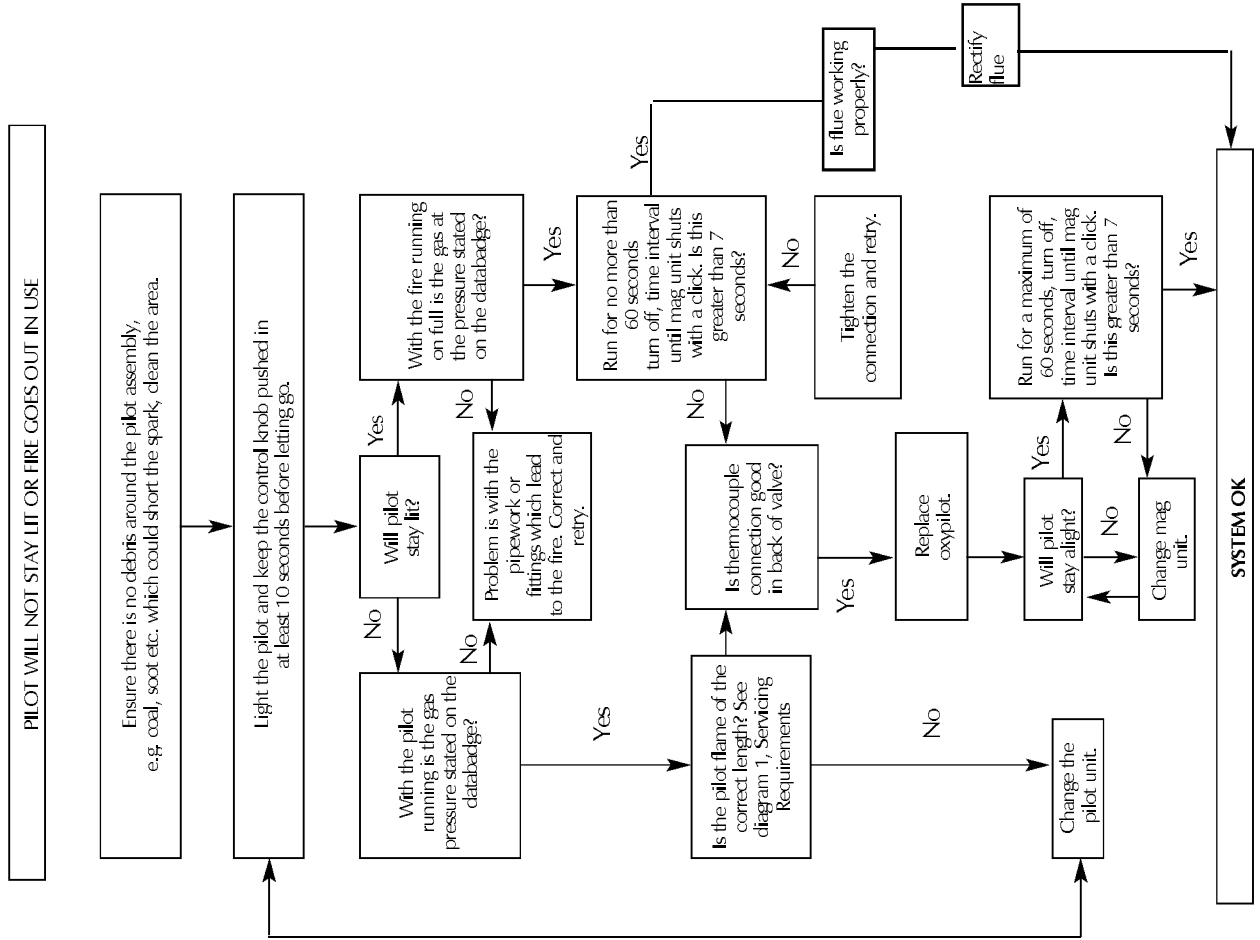
IGNITION FUNCTIONAL CHECK 1



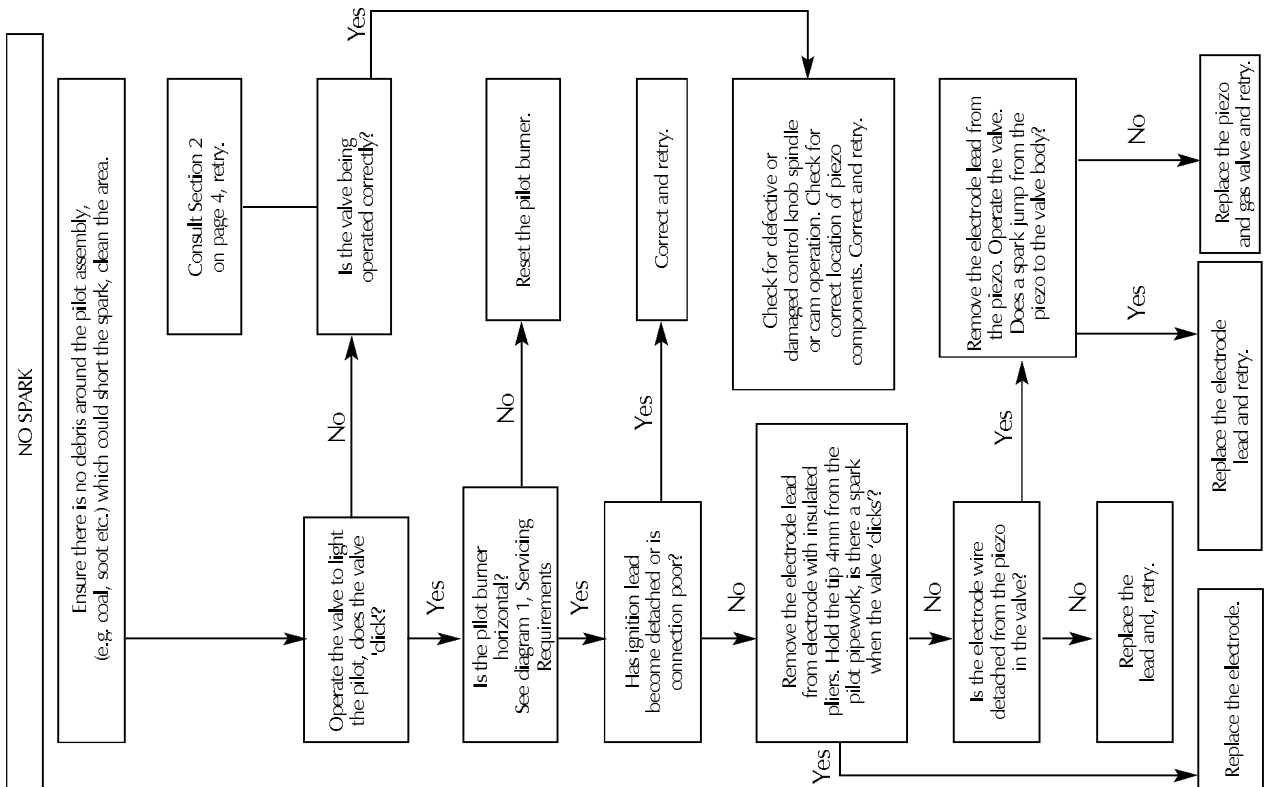
SERVICING INSTRUCTIONS

SERVICING/FAULT FINDING

FLAME FAILURE FUNCTIONAL CHECK



IGNITION FUNCTIONAL CHECK 2



SERVICING INSTRUCTIONS

REPLACING PARTS

1. GENERAL

- 1.1 All main components can be replaced without removing the stove from its installation. **IT IS ESSENTIAL THAT THE GAS SUPPLY TO THE STOVE IS TURNED OFF AT THE ISOLATION DEVICE BEFORE PROCEEDING FURTHER.**
- 1.2 If you need to remove the flue from the stove, **you must replace its seals.**

2. MAIN BURNER

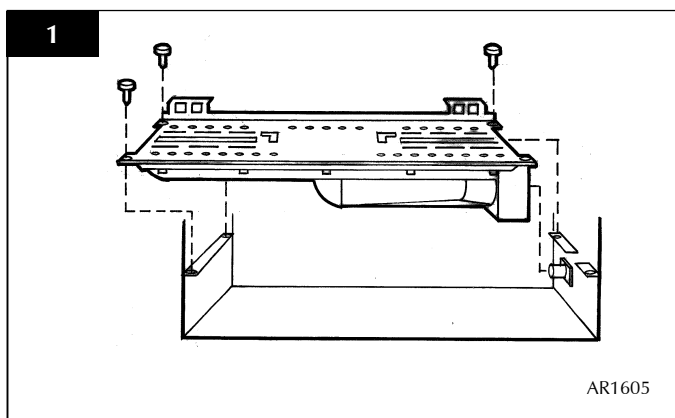
- 2.1 Turn the gas supply off at the isolation device. Ensure the unit is cool.

- Remove the door and place to one side
- Remove the ceramic fuel bed components carefully
- Remove the three securing screws, two at the rear and one at the front left hand side, Diagram 1

The burner venturi is engaged over the injector. When removing the burner make sure you clear the injector to free up the right side of the burner.

Take care too not to damage the pilot when removing the burner.

- Raise the left-hand side of the burner to clear the bracket and draw forward



- 2.2 To replace the burner
 - Engage the venturi over the injector making sure the burner sits on top of the bracket
 - Push the burner to the right and hold to insert the three screws

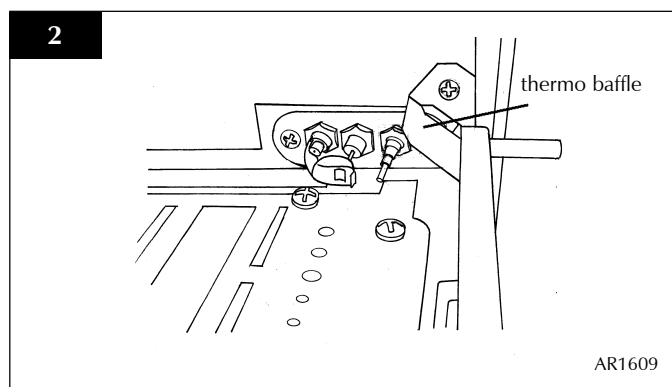
NOTE: BEFORE REPLACING THE BURNER, ENSURE THE SILICONE SEAL AROUND THE INJECTOR IS INTACT AND CHECK THE VENTURI COVER IS ATTACHED.

3. PILOT UNIT

The pilot assembly has five components you can change:

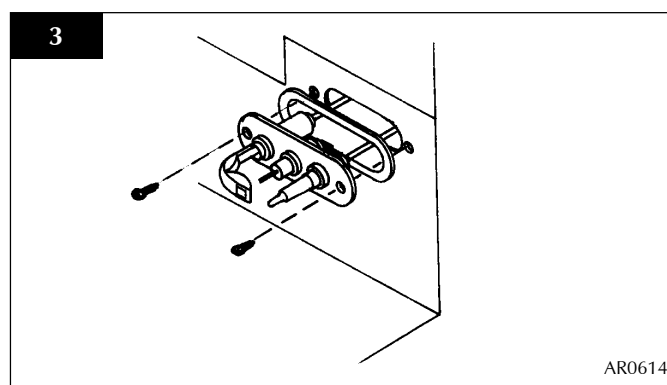
- 1) Pilot burner bracket
- 2) Pilot injector
- 3) Electrode
- 4) Thermocouple
- 5) Gasket

- 3.1
 - Turn the gas supply off at the isolation device
 - Remove the door and place to one side
 - Remove the ceramic fuel bed components carefully
 - Refer to Section 2 to remove the main burner
 - Remove the thermocouple baffle taking note of how it is positioned in Diagram 2



- Remove the two fixing screws from the pilot bracket, Diagram 3.
- Gently draw the assembly out of the firebox to access the nuts and ignition lead

NOTE: TAKE CARE NOT TO DAMAGE THE GASKET

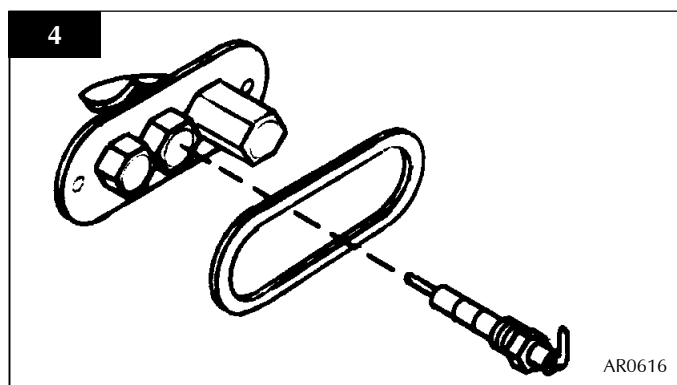


SERVICING INSTRUCTIONS

REPLACING PARTS

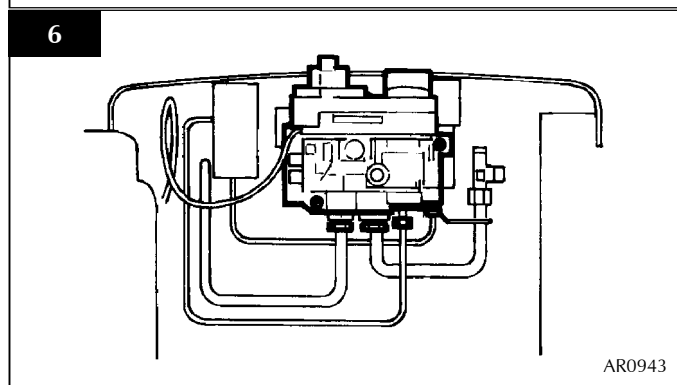
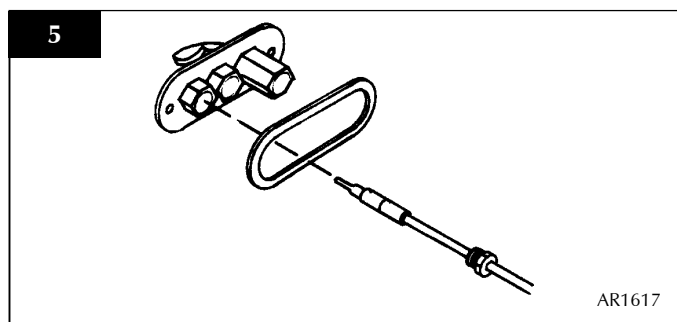
3.3 To remove the electrode:

- Disconnect the ignition lead and undo the retaining nut
- Remove the electrode noting the orientation of the electrode terminal when reassembling, Diagram 4



3.4 To remove the thermocouple:

- Undo the retaining nut and withdraw the thermocouple, Diagram 5
- Undo the thermocouple from the back of the gas valve, Diagram 6, arrow A
- Reassemble in reverse order
- Do not overtighten



3.5 To remove the gasket:

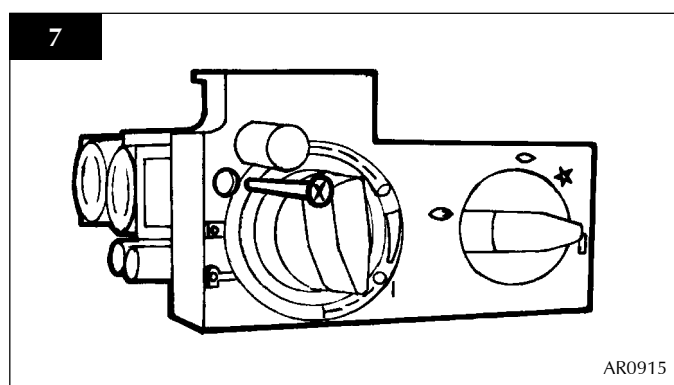
- Disconnect all the above components and withdraw the gasket
- If it is damaged:
- Replace with a new gasket

Always replace the gasket first when reassembling the pilot components.

4. IGNITION LEAD

4.1 Look at Section 3 above to access the back of the pilot assembly:

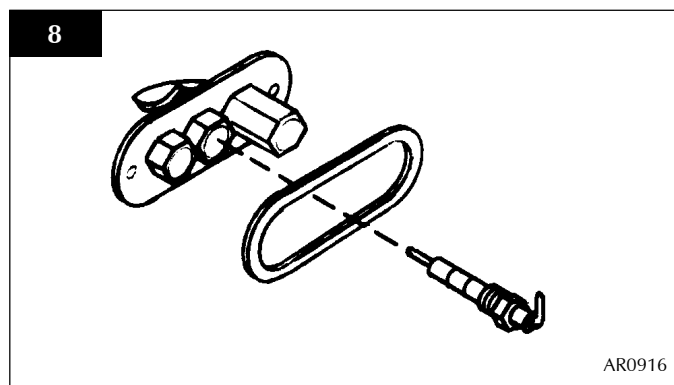
- Disconnect the ignition lead from the electrode
- Undo the single screw that secures the left side of the control cover, Diagram 7.



To release the right-hand side of the control cover:

- Insert the narrow blade screwdriver into the slot shown in Diagram 8
- Lever it gently and pull from the right-hand side at the same time to remove the cover.

There is a small cylindrical metal spacer inside the cover. This must be kept and replaced on the fixing screw during re-assembly.

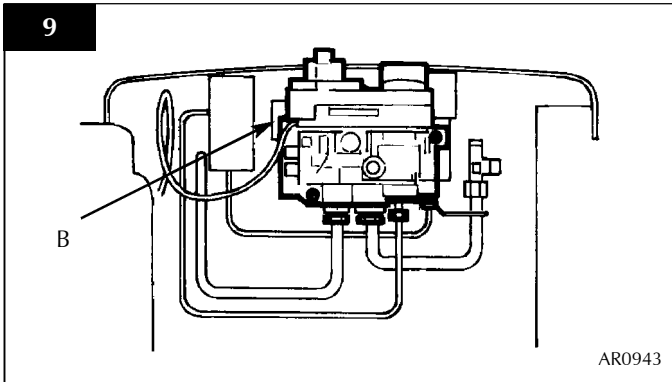


- Disconnect the other end of the ignition lead from the valve body

Note the existing route of the ignition lead

SERVICING INSTRUCTIONS

REPLACING PARTS



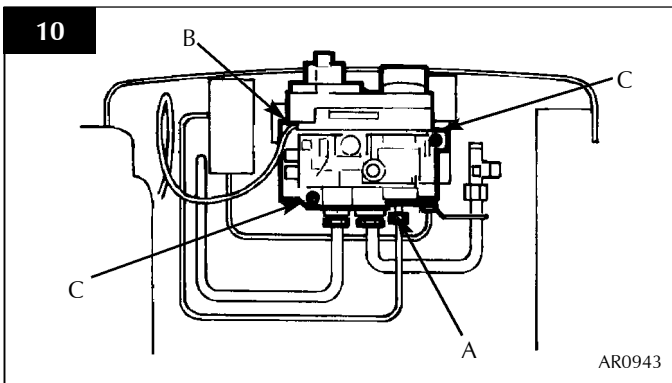
- 4.2 • Replace with a new ignition lead following the same route as the old one
- Replace the valve cover and the pilot assembly
- 4.3 • Check operation of the new ignition lead

5. PIEZO

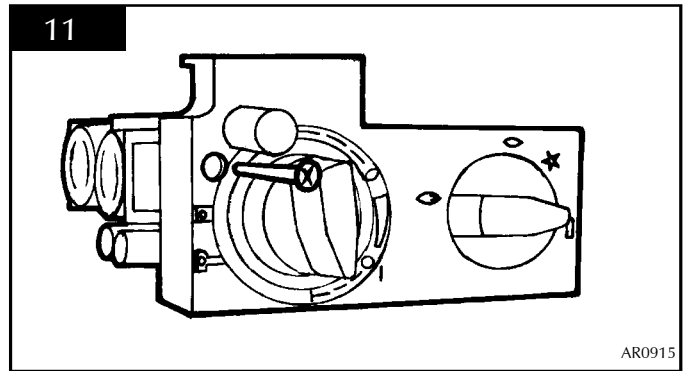
- 5.1 The piezo assembly used on this appliance is not serviceable and is unlikely to fail.
- 5.2 If a new piezo is required, you must change the gas valve. Refer to Section 6.

6. GAS VALVE

- 6.1 • Turn off the gas supply at the isolation device
- Disconnect the 2 x 8mm and 1 x 4mm gas pipe fittings at the back of the gas valve
- Disconnect the thermocouple, Diagram 10



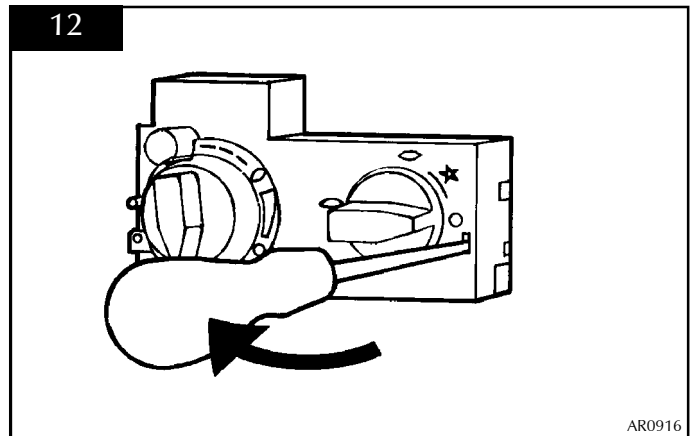
- Undo the single screw that secures the left-hand side of the control cover, Diagram 11



To release the right side of the control cover:

- Insert the narrow blade screwdriver into the slot shown in Diagram 12
- Lever it gently and pull from the right side at the same time to remove the cover

There is a small cylindrical metal spacer inside the cover. This must be kept and replaced on the fixing screw during re-assembly.



Note the existing route of the ignition lead

- Disconnect the ignition lead from the valve body
- 6.3 • Disconnect the ignition lead from the gas valve
- Undo the two bolts securing the gas valve to the stove and remove the valve
- 6.4 • Replace in reverse order
- Check all joints for gas leaks
- Check operation of the thermocouple and ignition lead

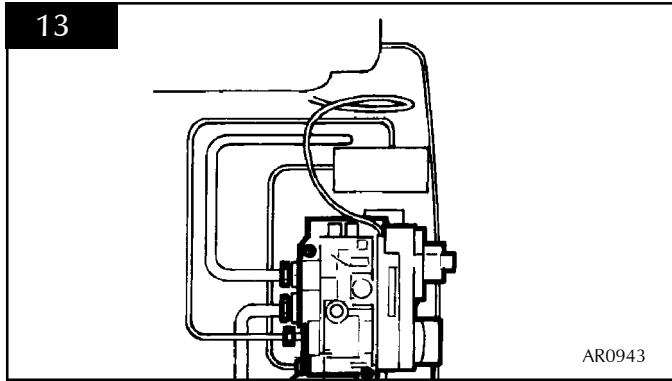
7. MAGNETIC SAFETY VALVE

- 7.1 • Turn off the gas supply at the isolation device
- Undo the thermocouple connection from the back of the gas valve
- Pull the sensor leads clear and remove the interrupter block

SERVICING INSTRUCTIONS

REPLACING PARTS

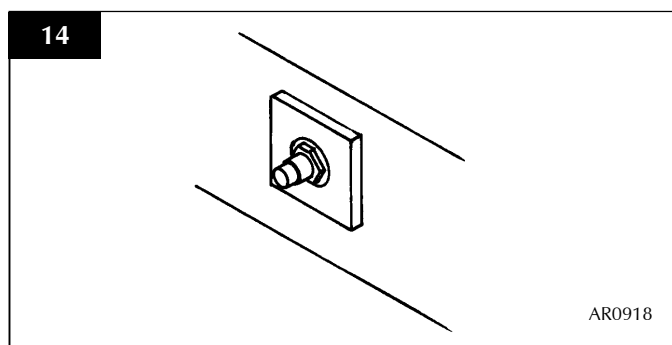
- Undo the magnetic valve-retaining nut from the back of the control valve
- Gently tap out the magnetic valve and replace with a new unit
- Replace the retaining nut and tighten, Diagram 13



- 7.2
- Reassemble the interrupter block and leads
 - Secure the thermocouple connection at the rear of the gas control (Do not overtighten)
 - Turn on the gas supply
 - Check the entire pipework and valve joints for any leaks

8. MAIN INJECTOR

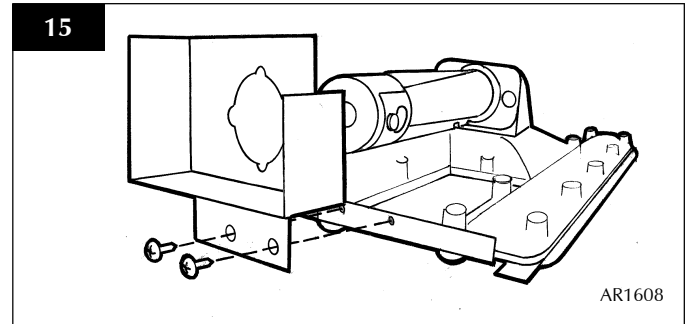
- 8.1
- Turn off the gas at the isolation device. Refer to *Section 2, Replacing Parts* to remove the main burner
- 8.2
- Undo the compression nut from the feed pipe at the gas control under the appliance
- 8.3
- Working from inside the firebox:
- Remove the lock nut from the injector, Diagram 14
 - Withdraw the injector complete with the feed pipe from under the appliance



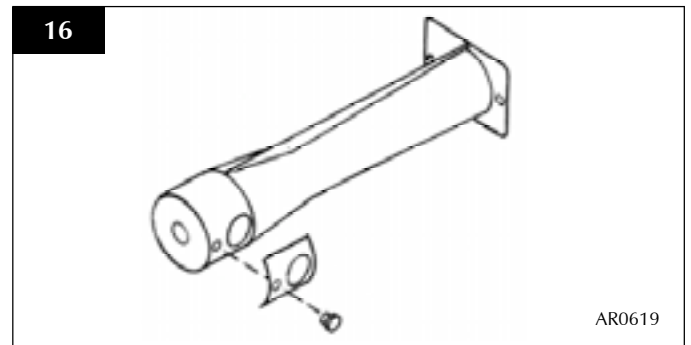
- 8.4
- Holding the injector with a spanner to undo the feed pipe
- NOTE: THE ORIENTATION OF THE INJECTOR.**
- 8.5
- Reassemble in reverse order
 - Turn on the gas supply and check for any leaks

9. PRIMARY AERATION PLATE

- 9.1
- Turn the gas supply off at the isolation device
 - Refer to Section 2 to remove the main burner
 - Remove the two screws on the burner skin to detach the cover from the venturi
 - Slide the venturi cover off the venturi as in Diagram 15



- Change the aeration plates to those stated in the technical specification for the gas for this product
- Refer to the databadge



- 9.2
- Reassemble in reverse order with correct aeration plate(s).
- NOTE: EVEN IF NO AERATION PLATE IS REQUIRED, THE SMALL SCREW(S) MUST BE REPLACED.**

SERVICING INSTRUCTIONS

REPLACING PARTS

10. CHANGING BETWEEN GAS TYPES

10.1 In order to change between gas types you need to change the following items.

- Pilot Unit
- Control Valve
- Main Injector
- Aeration Plate (if required)
- Databadge

The relevant parts can be ordered as a conventional kit from Yeoman. Always quote the stove type and serial number when ordering spare parts.

**** NOTE: THE CONTROL VALVE IS FACTORY PRESET FOR CORRECT GAS TYPE AND MODEL. A NEW UNIT WILL NEED TO BE ORDERED WHEN CHANGING BETWEEN GAS TYPES.**

11. CONTROL UPGRADE

See *Installation*, section 1.

12. SHORT SPARES LIST

Component	NG	LPG	
	G20 20mb	G30 29mb	G31 37mb
Main Injector	IN0045	IN0030	IN0030
Aeration plate	N/A	N/A	ME1350
Pilot injector	PI0026	PI0015	
Burner assembly	GZ5369	GZ5388	
Thermocouple		PI0011	
Magnetic unit		GC0092	
Electrode		PI0053	
Pilot Gasket		PI0052	
Gas valve*		GC0088K	
Ignition lead		GC0090	
Standard upgrade kit		YM-8455	
Thermostat/timer kit		YM-8456	

SERVICE RECORDS

1ST SERVICE

Date of Service:.....

Next Service Due:.....

Signed:.....

Dealer's Stamp/CORGI Registration Number

2ND SERVICE

Date of Service:.....

Next Service Due:.....

Signed:.....

Dealer's Stamp/CORGI Registration Number

3RD SERVICE

Date of Service:.....

Next Service Due:.....

Signed:.....

Dealer's Stamp/CORGI Registration Number

4TH SERVICE

Date of Service:.....

Next Service Due:.....

Signed:.....

Dealer's Stamp/CORGI Registration Number

5TH SERVICE

Date of Service:.....

Next Service Due:.....

Signed:.....

Dealer's Stamp/CORGI Registration Number

6TH SERVICE

Date of Service:.....

Next Service Due:.....

Signed:.....

Dealer's Stamp/CORGI Registration Number

7TH SERVICE

Date of Service:.....

Next Service Due:.....

Signed:.....

Dealer's Stamp/CORGI Registration Number

8TH SERVICE

Date of Service:.....

Next Due:.....

Signed:.....

Dealer's Stamp/CORGI Registration Number

9TH SERVICE

Date of Service:.....

Next Due:.....

Signed:.....

Dealer's Stamp/CORGI Registration Number

10TH SERVICE

Date of Service:.....

Next Service Due:.....

Signed:.....

Dealer's Stamp/CORGI Registration Number



A division of Stovax Ltd

Falcon Road, Sowton Industrial Estate, Exeter, Devon, England EX2 7LF

Tel: (01392) 474500 Fax: (01392) 219932

F-mail: veoman@stovax.com www.veoman-stoves.co.uk