

INSTALLATION AND OWNER GUIDE

Gasflame 3 Convector Box



(G.C. Number 32-815-81)

These instructions are to be read in conjunction with the guides supplied with the model 739 or 939 gas fire as appropriate.

We trust that this guide gives sufficient details to enable this appliance to be installed and maintained satisfactorily. However, if further information is required, our **Technical Helpline** will be pleased to help.

Telephone **0844 8711 565** (National call rates apply in the United Kingdom).

In the Republic of Ireland
Telephone **0044 844 8711 565**.



INSTALLER: Please leave this guide with the owner

THIS APPLIANCE IS FOR USE WITH NATURAL GAS (G20).

**WHEN CONVERTED USING CONVERSION KIT NO. 0595211 THIS APPLIANCE
IS FOR USE WITH PROPANE GAS (G31).**

**THIS APPLIANCE IS SUITABLE ONLY FOR INSTALLATION IN THE UNITED
KINGDOM (GE) AND THE REPUBLIC OF IRELAND (IF).**

© Baxi Heating U.K. Limited 2009.

All rights reserved. No part of this publication may be reproduced in any material form (including photocopying), stored in any medium by electronic means (including in any retrieval system or database) or transmitted, in any form or by any means, whether electronic, mechanical, recording or otherwise, without the prior written permission of the copyright owner.

Applications for the copyright owner's permission to reproduce any part of this publication should be made, giving details of the proposed use, to the following address: The Company Secretary, Baxi Heating UK Limited, The Wyvern Business Park, Stanier Way, Derby, DE21 6BF.

Warning: Any person who does any unauthorised act in relation to a copyright work may be liable to criminal prosecution and civil claims for damages.

Valor Fires, Erdington, Birmingham B24 9QP

www.firesandstoves.co.uk

Because our policy is one of constant development and improvement, details may vary slightly from those given in this publication

Safety First.

This convector box is CE Approved and designed to meet the appropriate British Standards and Safety Marks.



Quality and Excellence.

This convector box is manufactured to the highest standards of quality and excellence and are manufactured under a BS EN ISO 9001 quality system accepted by the British Standards Institute.



The Highest Standards

The manufacturer is a member of SBGI and HHIC (Heating and Hot water Industry Council) that work to ensure high standards of safety, quality and performance.



Careful Installation

This convector box must be installed by a competent GAS SAFE REGISTER engineer (GAS SAFE REGISTER or CORGI engineer outside of UK) in accordance with our installer guide and should not be fitted directly on to a carpet or floor of combustible material.



INSTALLER GUIDE

FOR OWNER GUIDE SEE PAGES 22 TO 23

INSTALLER GUIDE

CONTENTS

<u>Section</u>	<u>Heading</u>	<u>Page</u>
	INSTALLER GUIDE	4 - 21
	OWNER GUIDE	22 - 23
1.	SAFETY	6
2.	LIST OF ACCESSORIES	7
3.	GENERAL INSTALLATION REQUIREMENTS	8
3.1	Regulations, Standards and Law.	8
3.2	Ventilation requirements.	9
3.3	The Atmosphere sensing device (ASD).	9
3.4	Fireguard requirements.	9
3.5	Room considerations.	9
3.6	Chimney preparation.	9
3.7	Fireplace preparation.	10
3.8	The hearth.	10
3.9	Fireplace clearances.	11
3.10	Installation options.	12
3.10.1	Conventional fireplace and hearth.	12
3.10.1.1	'Hole-in-the-wall' Installations.	13
3.11	Flues.	14
3.12	Propane fires.	14
4.	UNPACKING	15
5.	INSTALLATION OF APPLIANCE	15
5.1	Fireplace flue pull.	15
5.2	Installing the convector box	16
5.2.1	Fitting the foam seals	16
5.3.2	The Flue restrictor	16
5.3.3	Concealed Supply Pipe Connection	16
5.3.4	Grommets	17
5.3.5	Fitting the cable retainers	17
5.4	Installation of the model 739 burner unit	19
5.4.1	Fitting the ceramic support plate.	19
5.4.2	Locating the burner.	19
5.5	Installation of the model 939 burner unit.	20
5.6	Ceramic fuel bed Installation.	21
5.7	Spillage check.	21

INSTALLER GUIDE

1. SAFETY

Installer

Before continuing any further with the installation of this appliance please read the following guide to manual handling:

- The lifting weight of this convector box is 9.6 kg. One person should be sufficient to lift the fire. If for any reason this weight is considered too heavy then obtain assistance.
- When lifting always keep your back straight. Bend your legs and not your back.
- Avoid twisting at the waist. It is better to reposition your feet.
- Avoid upper body/top heavy bending. Do not lean forward or sideways whilst handling the fire.
- Always grip with the palm of the hand. Do not use the tips of fingers for support.
- Always keep the fire as close to the body as possible. This will minimise the cantilever action.
- Use gloves to provide additional grip.
- Always use assistance if required.

INSTALLER GUIDE

2. LIST OF ACCESSORIES

The following accessories are available: -

<u>Description</u>	<u>Part Number</u>
Bauhaus Firefront (Fret)	
Pale Gold effect 16in.	5135659
Chrome effect 16in.	5135660
Charcoal Black 16in.	5109161
Black Nickel effect 16in.	5120251
Blenheim Firefront (Fret)	
Pale Gold effect 16in.	5135657
Chrome effect 16in.	5135658
Black 16in.	5135656
Decorative trims (Front trim and rear trim in named colour)	
Chrome effect 16in.	5135023
Pale Gold effect 16in.	5135026
Black 16in.	5135029
Black Nickel effect 16in.	5120247
Decorative trims (Front trim in named colour and rear trim in Black)	
Pale Gold effect on Black 16in.	5135132
Chrome effect on Black 16in.	5135133
Black Nickel effect on Black 16in.	5120250
LPG Conversion kit	0591301

INSTALLER GUIDE

3. GENERAL INSTALLATION REQUIREMENTS

3.1 Regulations, Standards and Law.

The installation must be in accordance with these instructions.

For the user's protection, in the United Kingdom it is the law that all gas appliances are installed by competent persons in accordance with the current edition of the Gas Safety (Installation and Use) Regulations. Failure to install the appliance correctly could lead to prosecution. GAS SAFE REGISTER and CORGI require their members to work to recognised standards.

In the United Kingdom the installation must also be in accordance with:

All the relevant parts of local regulations.

All relevant codes of practice.

The relevant parts of the current editions of the following British Standards:-

BS EN 1856 Part 1 - Chimneys - Requirements for metal chimneys.

BS 5440 Part 1 - Installation of flues.

BS 5440 Part 2 - Installation and maintenance of flues and ventilation for gas appliances of rated input not exceeding 70 kW net (1st, 2nd and 3rd family gases).

BS 6461 Part 1 - Masonry chimney & flues - Installation

BS 1251 - Fireplace components

BS 5871 Part 3 - Installation - Inset DFE gas fires

BS 6891 - Gas pipework installation

- In England and Wales, the current edition of the Building Regulations issued by the Department of the Environment and the Welsh Office.
- In Scotland, the current edition of the Building Standards (Scotland) Regulations issued by the Scottish Executive.
- In Northern Ireland, the current edition of the Building regulations (Northern Ireland) issued by the Department of the Environment for Northern Ireland.
- In the republic of Ireland the installation must be carried out by a competent person and also conform to the relevant parts of:

a) The current edition of:

IS 813 "Domestic Gas Installations"

ICP3

IS327

b) All relevant national and local rules in force.

Where no specific instructions are given, reference should be made to the relevant British Standard Code of Practice.

INSTALLER GUIDE

3.2 Ventilation requirements.

Normal adventitious ventilation is usually sufficient to satisfy the ventilation requirements of this appliance. In GB reference should be made to BS 5871 Part 2 and in IE reference should be made to the current edition of IS 813 "Domestic Gas Installations" which makes clear the conditions that must be met to demonstrate that sufficient ventilation is available.

3.3 The Atmosphere sensing device (ASD).

The appliance is fitted with an A.S.D (Atmosphere sensing device). If the appliance closes down after a period of operation for no apparent reason, the consumer should be informed to stop using the appliance until the installation and appliance have been thoroughly checked. The A.S.D will shut the appliance down if an unacceptable amount of harmful products of combustion accumulate. Under no circumstances should the A.S.D be altered or bypassed in any way. Only a genuine manufacturer's replacement part should be fitted. The individual A.S.D components are not replaceable.

3.4 Fireguard requirements.

A fireguard complying with BS 8423 should be fitted for the protection of young children, the elderly, the infirm and pet animals.

3.5 Room considerations.

3.5.1 This appliance must not be installed in any room that contains a bath or shower or where steam is regularly present.

3.5.2 An extractor fan may only be used in the same room as this appliance, or in any area from which ventilation for the appliance is taken, if it does not affect the safe performance of the appliance. Note the spillage test requirements detailed further on in this manual. If the fan is likely to affect the appliance, the appliance must not be installed unless the fan is permanently disconnected.

3.5.3 Note that soft wall coverings (e.g. embossed vinyl, etc.) are easily affected by heat. They may scorch or become discoloured when close to a heating appliance. Please bear this in mind when installing.

3.6 Chimney preparation.

3.6.1 If the appliance is intended to be installed to a chimney that was previously used for solid fuel, the flue must be swept clean prior to installation. All flues should be inspected for soundness and freedom from blockages.

3.6.2 Any chimney damper or restrictor should be removed. If removal is not possible, they must be secured in the open position.

INSTALLER GUIDE

3.7 Fireplace preparation.

3.7.1 If the fireplace opening is an underfloor draught type, it must be sealed to stop any draughts.

3.7.2 The fireplace floor should be reasonably flat to ensure that the convection box can be installed without it rocking and so that a good seal can be made at the bottom front of the box.

3.7.3 The front face of the fireplace should be reasonably flat over the area covered by the convection box top and side flange seals to ensure good sealing. These faces should be made good if necessary.

3.7.4 If the appliance is to be fitted against a wall with combustible cladding, the cladding must be removed from the area covered by the fascia. The cladding must also not touch the fascia (See figure 1). We suggest that the actual fascia is used as a template to mark the area for combustible cladding removal and that this area is increased by at least 2mm all round.

3.7.5 If the fireplace opening is greater than the acceptable dimensions given in this guide, do not use the back of a fire surround or marble to reduce the opening. This may cause cracking of the surround back or marble.

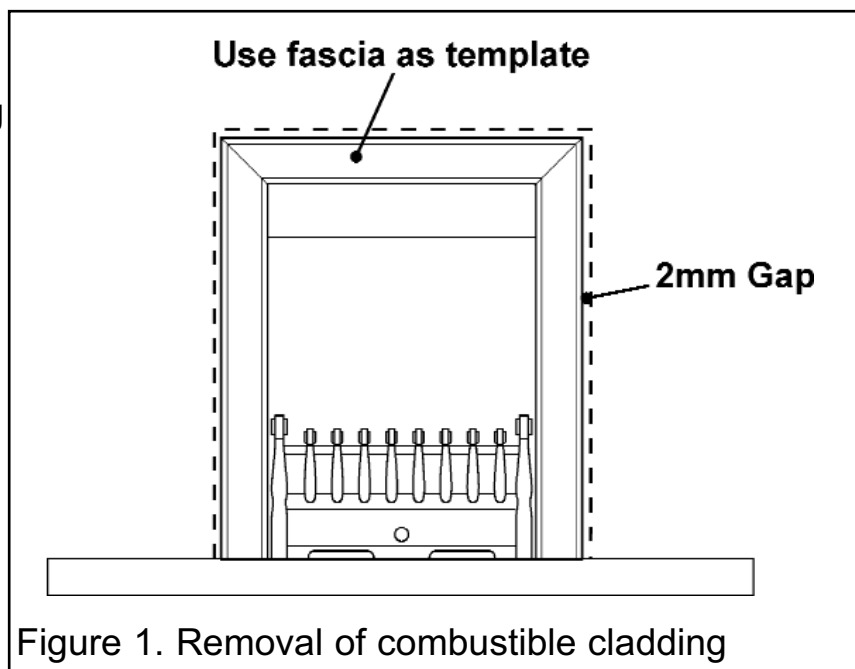


Figure 1. Removal of combustible cladding

3.8 The hearth.

The appliance must be mounted behind a non-combustible hearth unless the conditions of section 3.10.1.1 are met (N.B. conglomerate marble hearths are considered as non-combustible). The appliance can be fitted to a purpose made proprietary class "O"-100°C surround. The hearth material must be at least 12mm thick. The periphery of the hearth (or fender) should be at least 50mm above floor level to discourage the placing of carpets or rugs over it.

The surface of the hearth must be sufficiently flat to enable the bottom of the front surround and the bottom front cover to be aligned horizontally. Any excessive unevenness (uneven tiles, Cotswold stone, etc.) should be rectified.

The appliance must not stand on combustible materials or carpets.

INSTALLER GUIDE

3.9 Fireplace clearances.

3.9.1 The minimum height from the base of the fireplace opening to the underside of any shelf made from wood or other combustible materials is detailed below.

• For a shelf up to 150mm deep

Minimum height = 700mm.

• For a shelf deeper than 150mm

700mm + 12.5mm for every 25mm depth over 150mm

(See Figure 2).

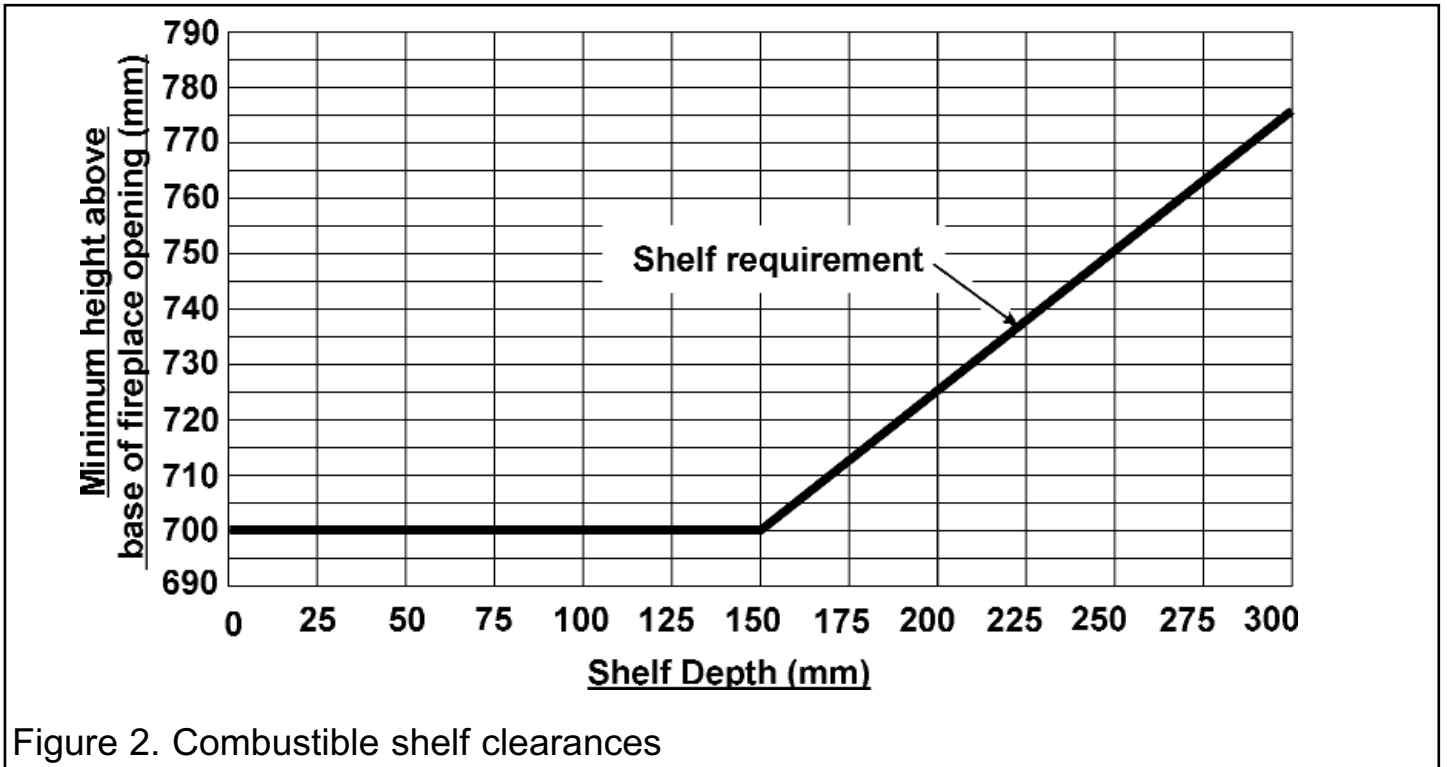
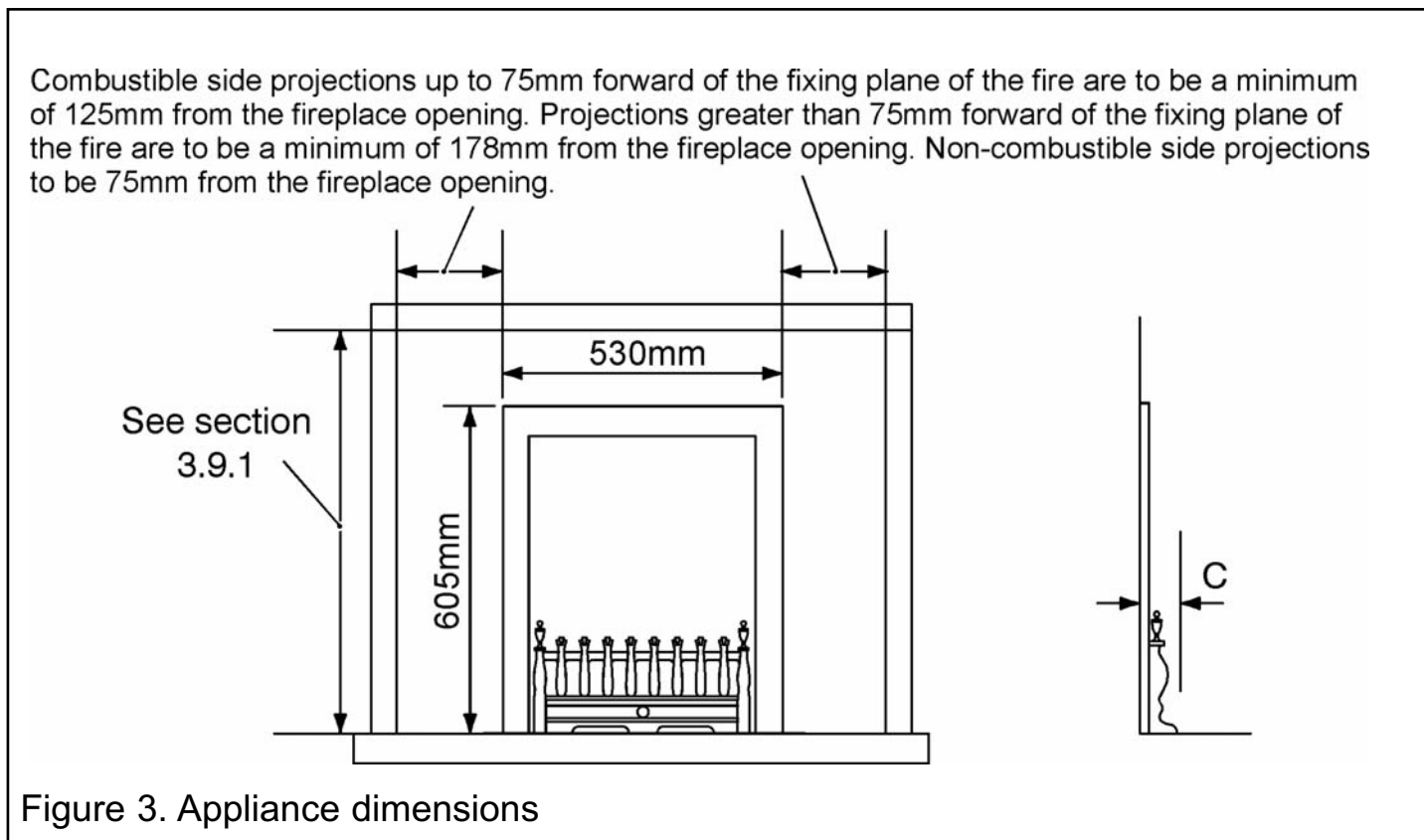


Figure 2. Combustible shelf clearances

INSTALLER GUIDE

3.9.2

- Combustible side projections up to 75mm forward of the fixing plane of the fire are to be a minimum of 125mm from the fireplace opening (See figure 3)
- Combustible side projections greater than 75mm forward of the fixing plane of the fire are to be a minimum of 178mm from the fireplace opening (See figure 3).
- Non-combustible side projections to be 75mm from the fireplace opening (See figure 3).



3.10 Installation options.

In the United Kingdom, as supplied, the appliance can be installed in the following situations: -

3.10.1 Conventional fireplace and hearth.

To a fireplace complete with surround and hearth as shown in figure 4 and complying with BS1251 after removal of the fireback and sufficient material behind the fireback for a debris catchment space.

INSTALLER GUIDE

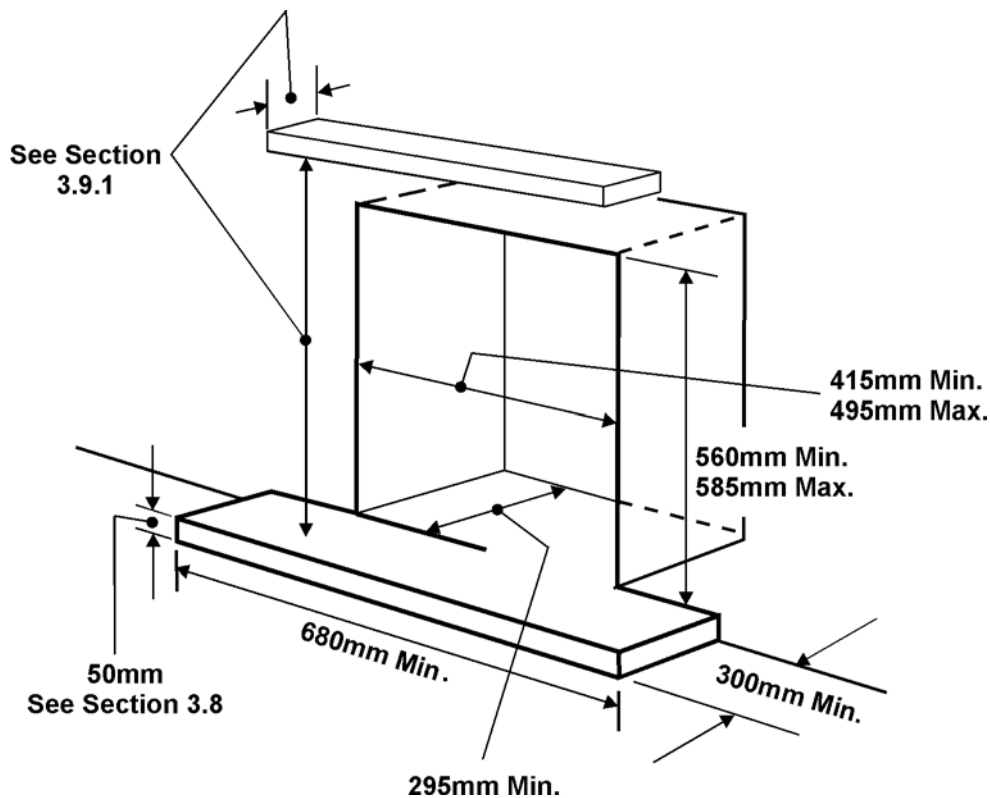


Figure 4. Hearth and Fireplace Opening

3.10.1.1 'Hole-in-the-wall' Installations.

- It is recommended that a hearth should be installed as in figure 4.
- If a reduced depth hearth is fitted, the fire must be installed so that the distance from the base of the fireplace opening in the wall to the finished floor level is at least 75mm. Where there is no floor covering or carpet and the floor is of a type that is likely to be covered in such a way in the future then the distance from the base of the fireplace opening in the wall to the floor level should be increased to at least 150mm. The minimum shelf height will have to be taken from the base of the fireplace opening.
- To protect from the risk of burns and ignition of clothing a tactile separator shall be used. The hearth detailed in section 3.8 meets the requirements for a tactile separator. If this is not used then a 680mm long fender, kerb, horizontal bar, or other barrier, being fixed not less than 50mm above floor level and positioned 300mm in front of the fixing plane of the fire will meet the requirement.
- If the lower part of the fascia (the firefront) is free standing, the recommended reduced hearth depth is 100mm. This is necessary to support the firefront.

3.11 Flues.

1. Suitable flues and minimum flue sizes are as follows:

It should be noted that, as with many appliances, sharp bends or horizontal runs in metal flues at the top of the system can be a cause of problems in these types of installation.

- 225mm x 225mm conventional brick flue.
- 175mm diameter lined brick or stone flue.
- 200mm diameter factory made insulated flue manufactured to BS4543 Part 2.
- 175mm diameter flue pipe. See BS6461 Part 1 for suitable materials.
- Single wall, twin wall or flexible flue liner with a minimum diameter of 125mm. The materials to be used are stainless steel or aluminium as specified in BS EN 1856 Part 1. The liner must be sealed to the surrounding area above the fireplace opening and to the top of the chimney. An approved terminal must be fitted.

2. The flue must conform to BS 5440: Part 1 in design and installation.

The flue, measured from the bottom of the fireplace opening to the bottom of the terminal, shall be not less than 3m in actual vertical height. When calculated in accordance with BS 5440: Part 1 Annex A, the minimum **equivalent** height of the flue shall be 2.0m of 125mm dia. flue pipe.

3. The flue must not be used for any other appliance or application.

4. Proprietary terminals must comply with BS 715 or BS 1289. Any terminal or termination must be positioned in accordance with BS 5440 Part 1 to ensure that the products of combustion can be safely dispersed into the outside atmosphere. Where the appliance is connected to an unlined brick chimney it is generally unnecessary for the chimney pot to be replaced or for a terminal to be fitted unless the flue has a diameter smaller than 170mm.

3.12 Propane fires.

Propane gas appliances must not be installed in a room that is built entirely below ground level (See BS 5871 Part 3).

INSTALLER GUIDE

4. UNPACKING

Contents:

- 1 Convector box assembly.
- 1 Accessory kit including: -
- 4 Long lengths of self adhesive foam seal.
- 1 Short length of self adhesive foam seal.
- 1 Replacement burner bracket.
- 1 Replacement burner bracket screw.
- 2 Eyebolts.
- 2 Fibre wall plugs.
- 2 Retaining cables.
- 2 Cable clamps.
- 1 Flue Restrictor.
- 1 Stainless steel screw.
- 1 Rear Grommet (Convection box).
- 2 Side Grommets (Convection box).

Carefully remove the contents. Check that all the listed parts are present and in good condition.

5. INSTALLATION OF APPLIANCE

5.1 Fireplace flue pull.

Visually inspect the flue for any obstruction, and that a smooth transition from the fireplace opening into the flue is available. Close all doors and windows in the room in which the appliance is to be installed. After confirming with a match that smoke is drawn into the flue, light a 13 gram smoke pellet and check that there is a definite flow through the flue. Verify outside that the smoke exits from one terminal only and that the termination is suitable. Observe, where possible, upstairs rooms and loft spaces for signs of escaping smoke indicating a defective flue. If there is not a definite flow warm the flue for a few minutes and repeat the smoke pellet test. If there is still no definite flow the flue may need remedial work – **Do not fit the appliance until there is a definite flow through the flue.**

INSTALLER GUIDE

5.2 Installing the convector box

5.2.1 Fitting the foam seals

1. Supplied with this appliance are four long lengths of self-adhesive foam seal. Position three of the foam seals at the rear of the appliance front flange. Cut the adhesive foam seal to length. Be careful not to stretch the foam seal when positioning or cutting. Remove the backing paper and locate the adhesive foam seal to the rear of the appliance front flange (See figure 5). It is important that there are no gaps between the joints.

2. Position the remaining long length of foam seal along the front edge of the base. Make sure that the whole length of the front edge of the convector box is fully sealed (See figure 6).

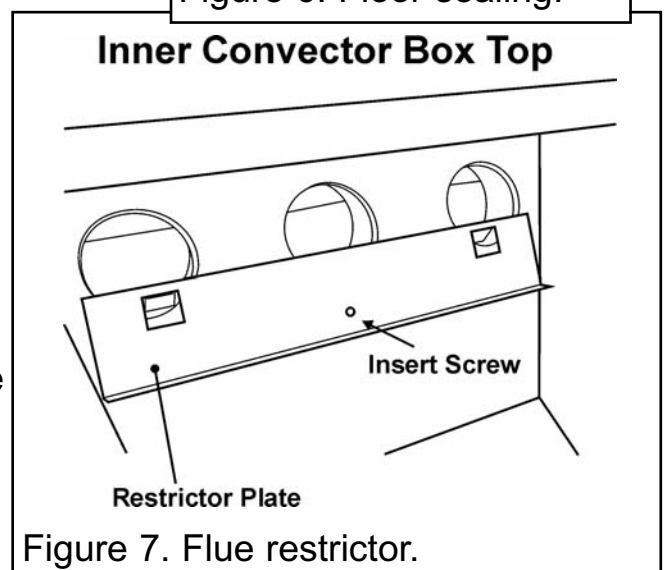
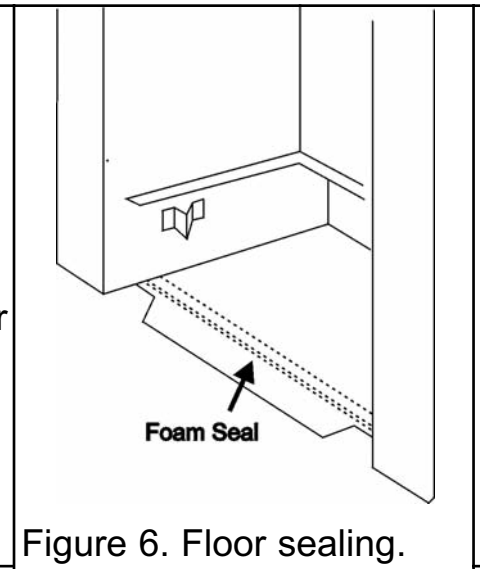
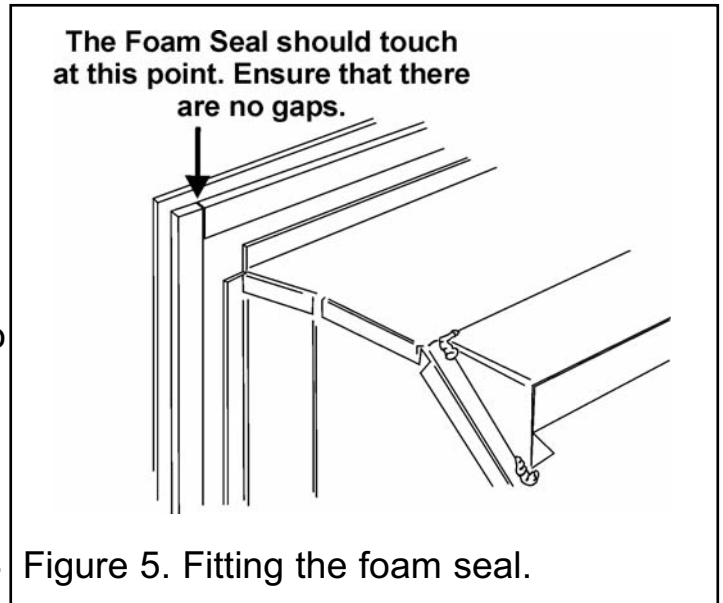
5.2.2 The Flue restrictor

This appliance is supplied with a flue restrictor for use where the flue draught is excessive. Generally we recommend the restrictor is NOT fitted where a flue liner is used, however, certain flues may work sufficiently to warrant its use. There may however, be circumstances where fitting the restrictor causes the fire to fail the spillage test. In such cases the restrictor will have to be removed. After removal conduct the spillage check again.

The restrictor is supplied loose and is fixed with a stainless steel machine screw supplied (See figure 7).

5.2.3 Concealed Supply Pipe Connection

If a concealed connection from inside the fireplace is required then, **before the appliance is fitted into the fireplace** it will be necessary to extend the supply line so that it will project through the hole in the back of the convection box and run to the 'T' connector at the front. The pipe run from the supply line up to the rear opening in the convection box must be kept away from the area which will be taken by the convection box when it is installed



INSTALLER GUIDE

5.2.4 Grommets

There are three grommets supplied in the accessory kit. Fit the larger grommet into the hole in the rear of the convection box. Fit the two smaller grommets into the holes at each side of the convection box. The grommets are to allow supply pipe passage into the convector box. First decide which grommet is to be used. Do not remove the grommets. Pierce the grommet to allow the pipe to pass through it. The grommet should envelop the pipe. If the hole is larger than the pipe, seal it with tape. Do not pierce the grommet unless the supply pipe is to pass through it. Refer to model 739 or 939 installer guide.

5.2.5 Fitting the cable retainers

1. Make sure that the relevant areas at the fireplace back are sound enough to take the eyebolts. If these areas have deteriorated due to prolonged use they should be made sound with suitable cement.

2. Drill two holes in the rear wall of the fireplace for the eyebolt plugs. The holes should be drilled within the range of positions shown in figure 8 using a suitably sized masonry drill. The holes should be equidistant each side of the centre line of the fireplace to ensure that the appliance finishes centrally in the opening when tension is applied to the cables.

3. Insert a fibre plug into each hole. Use the fibre plugs supplied with this appliance - Never use plastic plugs instead of the fibre plugs supplied. Screw the eyebolts into the plugs. Make sure that the bolts are secure.

4. Place the convector box close to the fireplace but allow sufficient access into the fireplace opening so that the cables can be threaded through the eyebolts and returned through the back of the convector box. If a concealed connection is being used, insert the convector box into the fireplace feeding the supply pipe through a grommet in the rear / side of the convector box.

5. The convector box has a debris deflector. There are two small holes in both sides of the debris deflector. Insert one end of each cable (one cable each side) through the lower of the two holes and return the end through the upper of the holes (See figure 9). Give the cables a pull so that they are secure.

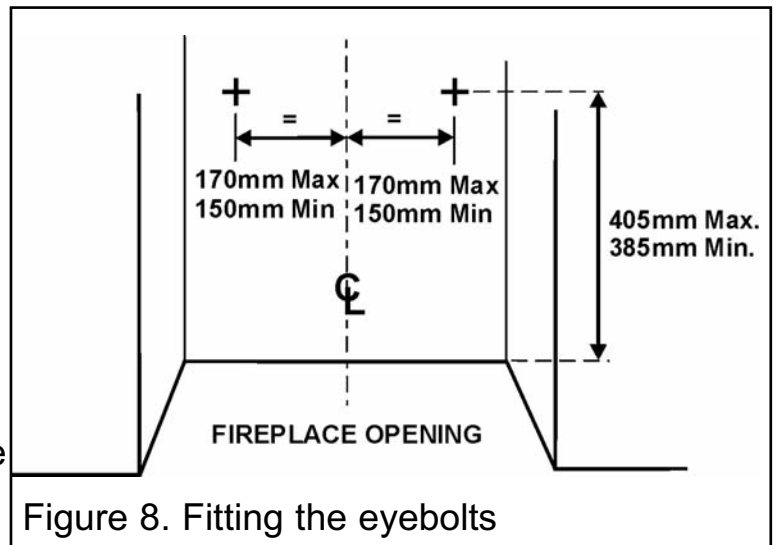


Figure 8. Fitting the eyebolts

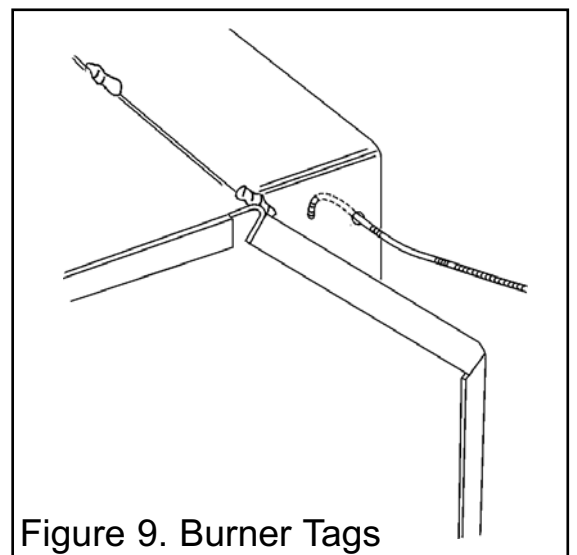


Figure 9. Burner Tags

INSTALLER GUIDE

6. Thread the cables through the eyebolts. Return the cables through the holes near the bottom of the convector box back panel, and through the "V" shaped brackets near the bottom front sides of the convector box (See figure 10).

7. Place the convector box fully back into the fireplace opening so that it is sealed against the fireplace front.

8. Fit a cable retainer over the bottom end of each cable.

9. Pull each cable taut. Push the cable retainers hard up against the "V" brackets. Tighten the screws in the retainers so that they clamp the cables in position. Apply tension to the cables by turning the hexagonal adjusters by hand (See figure 11).

10. Inspect the installation of the convector box against the fireplace surround. If the convector box is aligned squarely and the sealing is satisfactory, fully tighten the cable retainers.

11. If the convector box is not correctly aligned, release the tension on the cables by slackening the screws and turning the hexagonal adjusters fully anticlockwise. The convector box should then automatically realign itself. Pull each cable taut again and push the cable retainers back against the "V" brackets. Again, tighten the screws in the retainers and apply tension to the cables by turning the hexagonal adjusters clockwise as far as possible.

12. Feed the free length of the cables into the gap above the brackets so that they are available to allow easy removal and refitting of the appliance during subsequent service calls. Do not cut off the free lengths of cable.

13. **939 models only** - There are two holes in the base of the convector box. Using a suitably sized drill bit drill through the holes into the fireplace base. Insert a fibre plug into each hole. If the holes are not present simply continue with the installation.

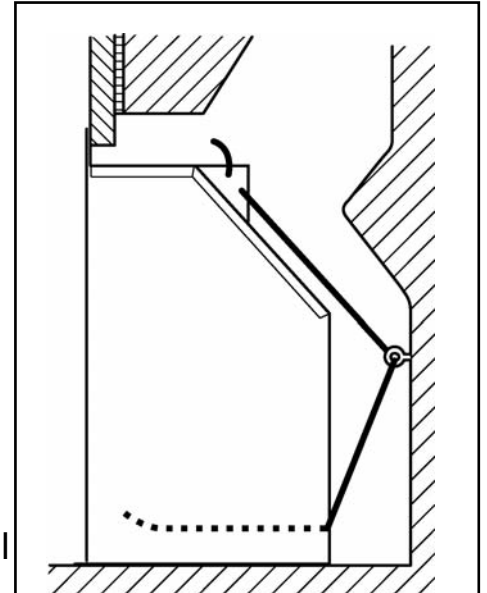


Figure 10. Cable route

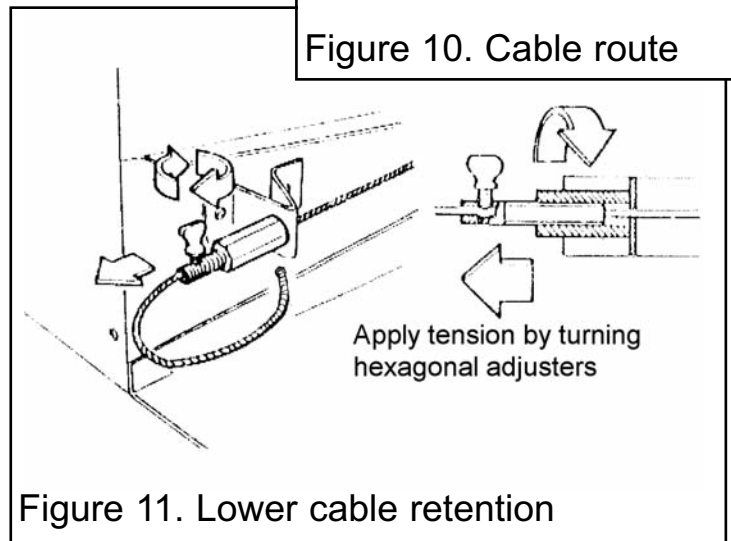


Figure 11. Lower cable retention

IMPORTANT

Before continuing with the installation of the burner the aeration setting must be checked. This is factory set. See "Servicing and parts replacement" section of installer guide supplied with the model 739 or 939 burner.

INSTALLER GUIDE

5.3 Installation of the model 739 burner unit

5.3.1 Fitting the ceramic support plate.

Prior to installation of the burner the ceramic support plate must be fitted (See figure 12). Two self-tapping screws retain the plate.

5.3.2 Locating the burner.

- There is a bracket on the front support leg of the model 739 gas fire which can be removed and disposed of (See figure 13).
- Supplied with the convector box is a replacement bracket. Locate this using the screw removed previously (See figure 13).
- Supplied with the convector box is a small piece of self adhesive foam seal. Remove the paper backing and locate this to the base of the convector box as in figure 14.

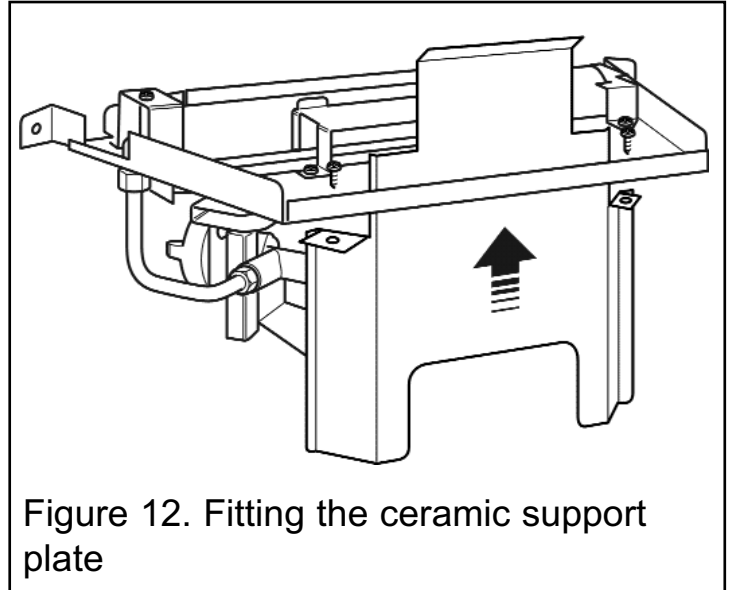


Figure 12. Fitting the ceramic support plate

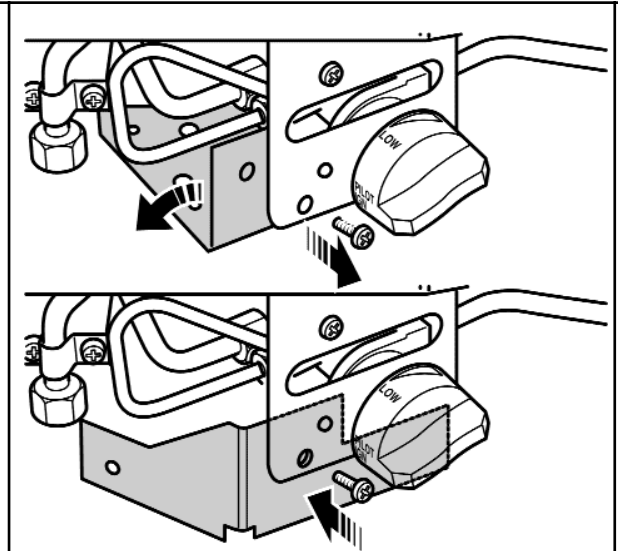


Figure 13. Replacing the burner bracket.

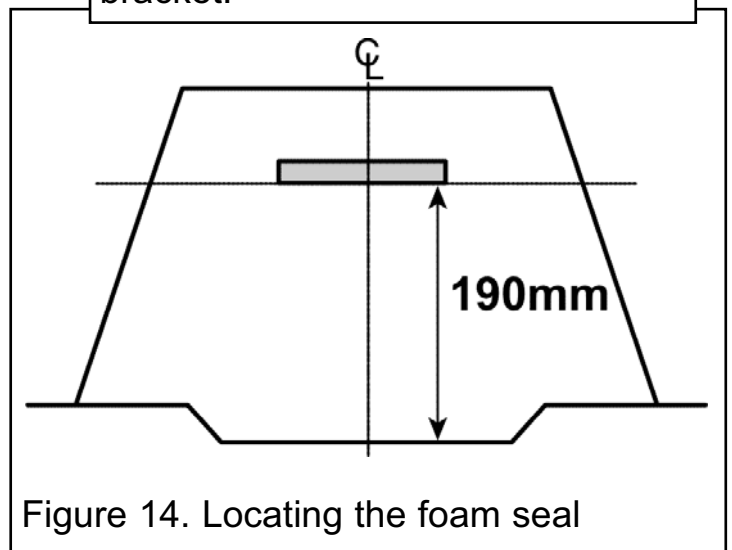


Figure 14. Locating the foam seal

INSTALLER GUIDE

- Place the burner assembly in position against the convector box bottom location bracket (See figure 15). The rear support leg should be located on top of the foam seal in the base of the convector box.
- Secure the burner using the screw supplied.
- Ensure that the burner is positioned centrally. Apply a light pressure to the top of the burner between the ceramic support plate and the rear support leg. This will firmly locate the rear support leg into the foam seal.

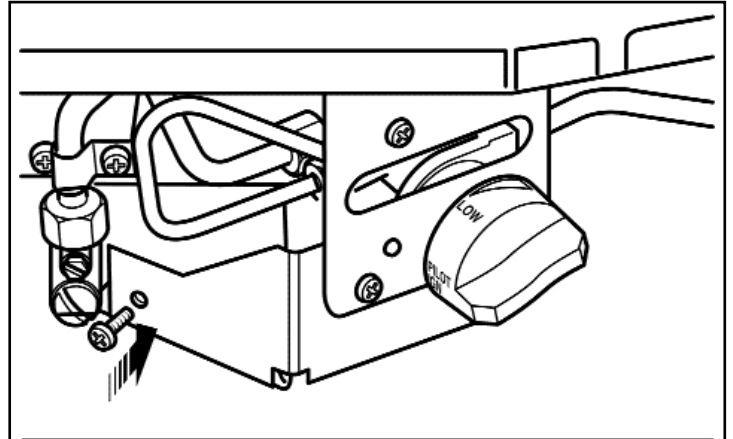


Figure 15. Locating the burner

5.4 Installation of the model 939 burner unit.

- There is a bracket on the front support leg of the model 939 gas fire which can be removed and disposed of (See figure 13).
- Supplied with the convector box is a replacement bracket. Locate this using the screw removed previously (See figure 13).

5.4.1 If your convector box does not have two holes drilled through the base then it will be necessary to follow the points below. If it does then see section 5.4.2.

- Place the burner assembly in position against the convector box bottom location bracket.
- Without disturbing the burner, remove the two screws at the rear of the burner tray (See figure 16). These secure the rear ceramic support bracket to the burner tray.
- Hold the ceramic support bracket in place. Lift and remove the burner.
- The base of the ceramic support bracket has two holes. Mark through, onto the base, the positions of the holes.
- Drill the marked hole positions with a suitably sized masonry drill bit.
- Insert a fibre plug into each hole.
- Secure the ceramic support bracket in place using two screws.
- Locate the burner onto the ceramic support bracket. Secure the burner to the ceramic support bracket using the two screws removed previously.
- Secure the burner to the bottom location bracket using the screw supplied.

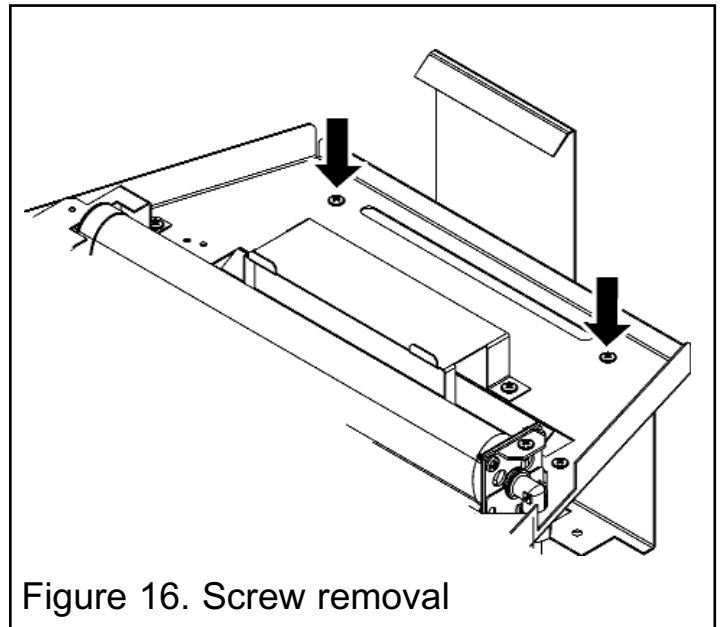


Figure 16. Screw removal

INSTALLER GUIDE

5.4.2

- Remove the two screws at the rear of the burner tray (See figure 16). These secure the rear ceramic support bracket to the burner tray. Remove the ceramic support bracket and screw it to the convector box floor through the two holes drilled previously.
- Locate the burner onto the ceramic support bracket. Secure the burner to the ceramic support bracket using the two screws removed previously.
- Secure the burner to the bottom location bracket using the screw supplied.

5.5 Ceramic fuel bed Installation.

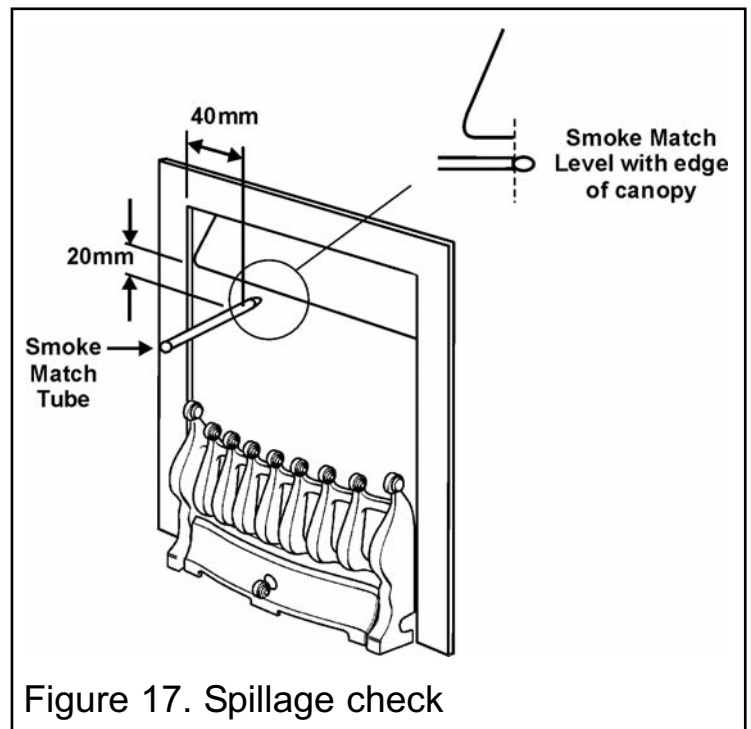
Follow model 739 or 939 installer guide.

5.6 Spillage check.

It is important that the following spillage test is used when installing a Gasflame 3 convector box. DO NOT use the spillage test shown in the model 739 or 939 installer guide.

- **A spillage check must be made before leaving the installed appliance with the customer. Make this with all the ceramic fuel effect pieces and firefronts / castings in position (See figure 17).**

- Close all doors and windows in the room containing the appliance. Light the appliance and set the control to the 'HIGH' position. Leave the appliance on for five minutes. See lighting instructions within model 739 or 939 installer guide.
- Insert the smoke match 40mm away from the side of the canopy and 20mm from the top of the underside of the canopy. The end of the smoke match should be level with the front face of the fireplace opening.
- The installation is satisfactory if the smoke is drawn into the fireplace opening. If the smoke is not drawn into the fireplace opening, leave the appliance alight at the maximum setting for a further ten minutes and then repeat the test. If smoke is still not drawn into the appliance disconnect the appliance and seek expert advice.
- If the above test is satisfactory, open all internal connecting doors, hatches, etc. in the room. Keep all doors and windows that open to the outside of the building closed. Switch on any extractor fan installed in the same room as the appliance or a connecting room. Open all doors and other openings between the fan and the appliance. Recheck for spillage as above. If the smoke is drawn into the appliance, continue with the installation. If the test is not satisfactory, disconnect the appliance and advise the customer of the cause of failure.
- **Advise the customer to refer to the model 739 or 939 Owner guide for operating and maintenance guidelines.**



OWNER GUIDE

FOR WARRANTY AND SERVICE INFORMATION
REFER TO THE MODEL 739 OR 939 OWNER
GUIDES AS APPROPRIATE.

OWNER GUIDE

Please refer to the model 739 or 939 Owner guide as appropriate.

It is important that the below figures replace the shelf clearance and side clearance figures.

