

FAX  
COPY

7a 16

FILE COPY



## DECORATIVE FUEL EFFECT APPLIANCES

### MODELS

**617**

(G.C. 32 810 91)

With Brass Finish

&

**617B**

(G.C. 32 810 92)

With Black Finish

**FOR USE WITH NATURAL GAS ONLY**

## INSTALLATION AND SERVICING INSTRUCTIONS

**PLEASE LEAVE THESE INSTRUCTIONS  
WITH THE USER**

No component is manufactured from asbestos or asbestos related products.


The appliance data badge is located next to the control knob.

## 1. GENERAL DATA

Gas:	Natural Gas
Inlet Pressure:	20mbar (8in. w.g.)
Max. input:	5.77kW (19,700 Btu/h)
Burner Test Pressure (cold):	17.6±0.75mbar (7.1±0.3in. w.g.)
Gas connection:	8mm pipe.
Injector:	Bray Cat 18u Size 380
- Pilot Injector:	Concentric TE 1378/4

## 2. GENERAL INSTALLATION REQUIREMENTS

2.1 In your own interest and that of safety, it is the law that all gas appliances are installed by competent persons in accordance with the Gas Safety (Installation & Use) Regulations 1984 as amended. Failure to install appliances correctly could lead to prosecution.

The Confederation for the Registration of Gas Installers (CORGI - identified by ) requires its members to work to recognised standards.

The installation MUST be in accordance with these instructions, all the relevant parts of the Local and National Building Regulations or Building Standards (Scotland) (Consolidation) Regulations, and the relevant parts of the current editions of the following British Standards:-

B.S. 5871: Part 2  
B.S. 5440: Parts 1 & 2  
B.S. 6891  
B.S. 6461: Parts 1 & 2  
B.S. 8303  
B.S. 4543: Part 2  
B.S. 1251

2.2 The appliance can be fitted to fireplaces complete with surround and hearth with dimensions as shown in fig. 1 and complying with B.S.1251 after removal of the fireback and sufficient material behind the fireback for a debris catchment space. The required fireplace, hearth, debris catchment area and clearance dimensions are shown in fig. 1.

If the fireplace opening is not to specification, it can be brought to the required level by remedial building work.

Alternatively, the appliance can be fitted to a metal flue box complying with the constructional requirements of the current edition of B.S. 715. The dimensions of the flue box must conform to fig. 1.

2.3 Suitable flues and minimum flue sizes are as follows:-

- a) 225mm x 225mm conventional brick flue.
- b) 175mm diameter lined brick or stone flue.
- c) 200mm diameter factory made insulated flue manufactured to B.S. 4543.
- d) 175mm diameter flue pipe (see B.S. 6461 part 1 for suitable materials).
- e) Single wall, twin wall or flexible flue liner of minimum diameter 125mm. The materials to be used are stainless steel or aluminium as specified in B.S. 715.

2.4 The minimum effective height of the flue must be 3m.

2.5 The flue MUST NOT be used for any other appliance or application.

2.6 Any chimney dampers or restrictors should be removed. If removal is not possible they must be fixed in the open position.

2.7 If the appliance is intended to be installed to a chimney which was previously used for solid fuel, the flue must be swept clean prior to installation.

2.8 If the fireplace opening is of underfloor draught type, it must be sealed to stop any draughts.

2.9 The appliance must be mounted behind a non-combustible hearth (n.b. conglomerate marble hearths are considered as non-combustible). The appliance can be fitted to a purpose made proprietary class "O" - 100°C or 150°C surround. The hearth material must be at least 12.5 mm thick. Its top surface should be 50mm above floor level in order to discourage the placing of carpets or rugs over it.

**On no account must the appliance stand on combustible materials or carpets or be fitted to a combustible wall**

2.10 The front face of the fireplace should be reasonably flat over the area covered by the convection box top and side flange seals to ensure good sealing. These faces should be made good if necessary. The fireplace floor should be reasonably flat to ensure that a good seal with the convection box can be made (see fig.14).

2.11 The minimum height above the top surface of the hearth for any projection (e.g. shelf etc.) made from wood or any other combustible materials and not more than 150mm deep is 766mm (this will give a clearance of 152mm above the top edge of the installed appliance) for combustible projections deeper than 150mm add 12.5mm to minimum clearance height for every 25mm of additional depth.

2.12 Please note that soft wall coverings (e.g. embossed vinyls etc.) are easily affected by heat. They may, therefore, scorch or become discoloured when close to a heating appliance. Please bear this in mind when installing.

2.13 The appliance must not be installed in any room which contains a bath or shower or where steam is regularly present.

2.14 An extractor fan must not be fitted in the same room as the appliance or in any area from which ventilation is taken if it is likely to affect the safe operation of the appliance.

If there is a fan in such a locality, note the spillage test requirement detailed further on in these instructions.

2.15 No special ventilation bricks or vents are required into the room containing the appliance.

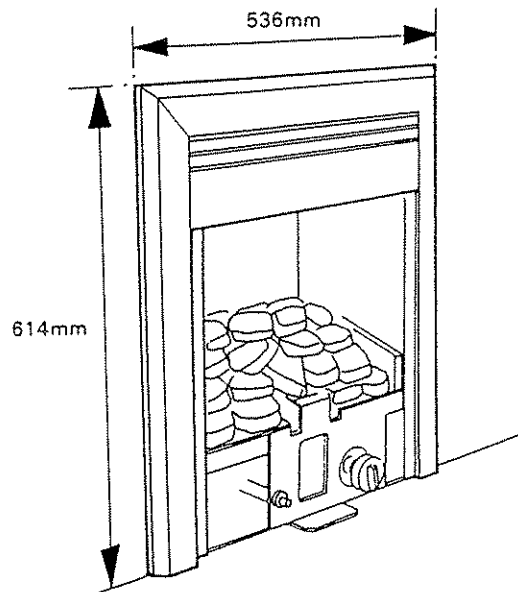
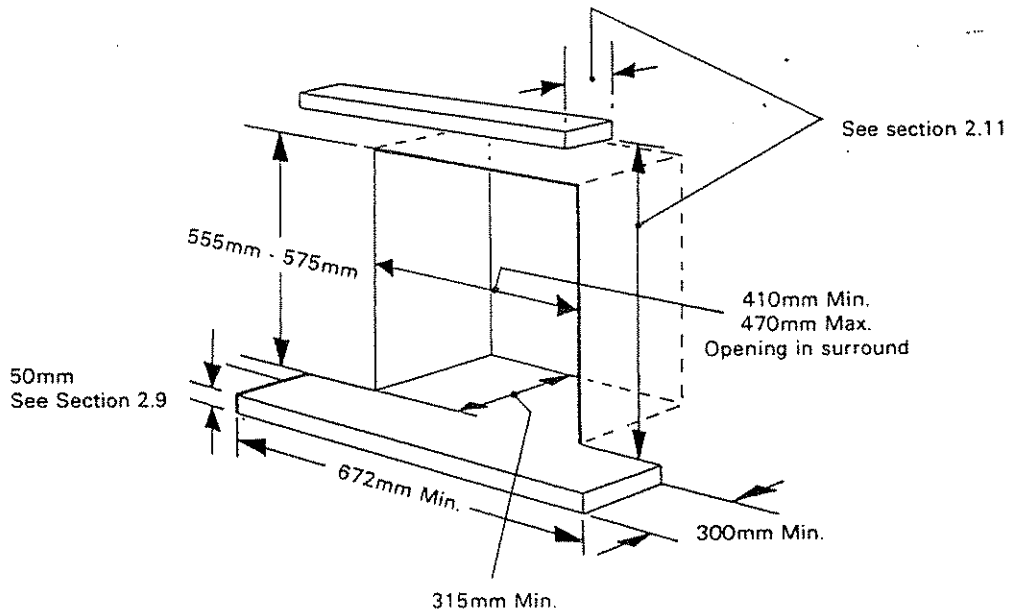


Fig. 1 GENERAL DIMENSIONS & CLEARANCES

### 3. CHECK CARTON CONTENTS

This carton contains the following:-

- 1 Decorative fuel effect appliance comprising burner and control unit assembled inside convection box.
- 1 Front surround unit.
- 1 Front cross member.
- 1 Nut and olive for 8mm inlet pipe.
- 1 Back brick
- 1 Coal support grid.
- 1 Pair of side cheeks.
- 1 Pack of 13 mixed coals.
- 1 Pack of 3 rear "round" coals.
- 1 Pack of vermiculite.
- 2 Small "U" seals for appliance bottom sides.
- 4 Fibre plugs.
- 4 Woodscrews.
- 4 Tapping screws for front unit fixing. (These screws are supplied loosely attached to the convection box).
- 2 Fire retaining cables.
- 2 Cable clamps.
- 2 Eyebolts.
- 1 Installation template.
- 1 Fire front and control cover unit.
- 1 Users instruction booklet.

Remove the contents carefully. Special care should be taken in handling the coals, coal support grid, side cheeks and back brick. Check that all the listed parts are there and are in good condition.

#### 3.1 CHECK IGNITION ELECTRODE SPARK (see fig. 2)

Before attempting to install, it is worth checking that the ignition system performs satisfactorily.

The pilot is ignited by pushing in the button of the piezo-electric spark generator situated at the left side of the burner unit front plate. Check that a spark is produced across the pilot burner when the button is pushed in. If no spark is evident, check that the wiring is secure and replace parts if necessary - See servicing instructions.

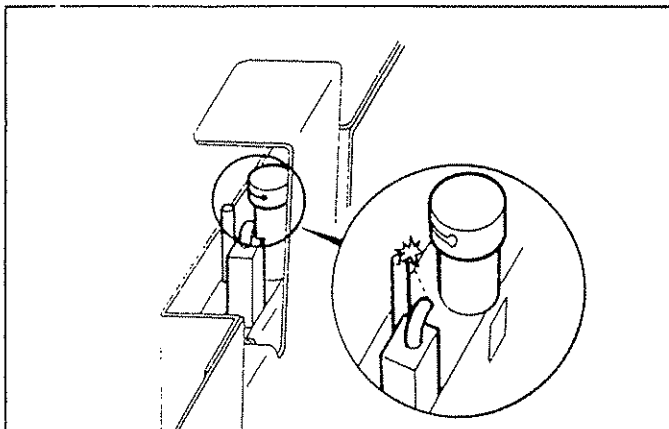


Fig. 2 PILOT IGNITION SYSTEM

### 4. THE FIREPLACE

#### 4.1 FIREPLACE SIZE

Make sure that the fireplace conforms to the sizes shown in fig. 1. This will probably entail removing the fireback and in-fill material behind the fireback

The area which must be clear of obstructions can be checked by inserting the template provided into the fireplace opening.

#### 4.2 FIREPLACE GENERAL CONDITION

The fireplace floor should be reasonably flat to ensure that the convection box can be installed without it rocking and so that a good seal with the front of the box can be made.

The front face of the fireplace should be reasonably flat over the area covered by the convection box top and side flange seals to ensure good sealing. These faces should be made good if necessary.

#### 4.3 SOUNDNESS FOR APPLIANCE ATTACHMENT

Two primary methods of retaining the appliance are provided:-

- (1) By fixing to the fireplace front surround.
- (2) Using concealed tension cables fixed to the rear of the fireplace opening together with secondary fixing to the fireplace floor.

The methods are detailed in section 7 of these instructions.

Before selecting the retention method, **consult with the customer.**

Method (2) is provided for instances where drilling holes in the front surface of the fireplace surround is unacceptable to the customer or otherwise impractical.

N.B. It is unwise to attempt to drill into marble without the requisite tools and equipment.

If method (1) is chosen, make sure that the front surround area is sound enough to take the rawlplugs and woodscrews. If necessary, make sound with a suitable cement.

If method (2) is chosen, make sure that the areas at the back and towards the centre of the fireplace floor are sound enough to take the eyebolts and screws. If they have deteriorated due to prolonged use, they should be made sound with a suitable cement.

#### 4.4 FIREPLACE FLUE PULL

After preparing the fireplace, apply a lighted match, paper or smoke match to the chimney opening. Observe the smoke. If there is a definite flow into the opening,

continue with the installation. If there is not a definite flow, pre-heat the chimney for a few minutes and re-check. If there is still no definite flow, the chimney may need attention. **DO NOT FIT THE APPLIANCE - SEEK EXPERT ADVICE.**

## 5. GAS SUPPLY PIPE

A nut and olive is provided for an 8mm copper pipe inlet connection to the elbow at the right side of the unit. The elbow can be rotated to give inlet connection from any direction.

A means of isolating the gas supply must be fitted upstream of the appliance inlet to facilitate connection and subsequent servicing. The supply pipe must be rigid material. Flexible pipe must not be used.

### 5.1 CONCEALED SUPPLY PIPE CONNECTION

If a **concealed connection from within the fireplace** is required then, **before the appliance is fitted into the fireplace**, it will be necessary to extend the supply line so that it will project through one of the sealed openings situated at the back of the convection box and run in a straight line forward to the front.

The right side sealed opening should be used for all applications where a direct connection between the supply pipe and the appliance inlet elbow is to be made (see fig. 3).

The left side sealed opening is intended for use where an isolating elbow will be fitted inside the front of the fireplace opening. When such an elbow is used, the supply pipe should run in a straight line to the front left side of the burner unit. The isolating elbow should be positioned at the front left of the burner. A further length of pipe to connect the isolating elbow to the appliance inlet elbow should be fitted after the convection box is installed in the fireplace opening (see fig.4).

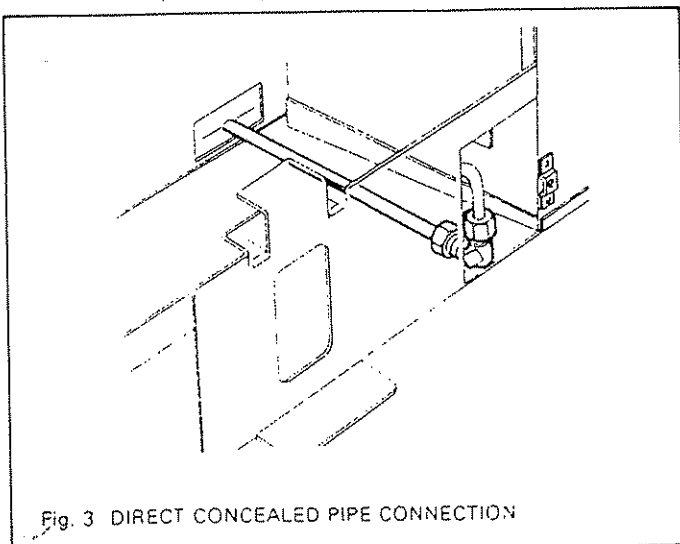


Fig. 3 DIRECT CONCEALED PIPE CONNECTION

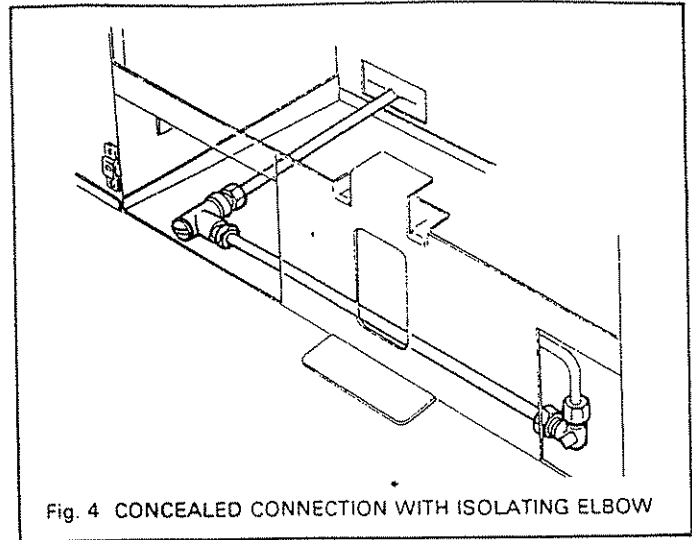


Fig. 4 CONCEALED CONNECTION WITH ISOLATING ELBOW

The pipe run from the supply line up to the rear opening in the convection box must be kept clear of the area which will be taken by the convection box when it is installed. A template is supplied to aid the installation of this pipe run. We recommend the following method:-

- 5.1.1 Decide whether the pipe is to enter the rear of the convection box through the left or right opening as explained above. Cut a slot in the template along the chosen (left or right) line marked "**Supply pipe entry**" and pierce a small hole at the position of the rear corners of the convection box arrowed "**B**" on the template.
- 5.1.2 Place the template on the fireplace floor (printed side upward) with the front line level with the front surface of the fireplace. The centre line of the template should line up with the centre of the fireplace.
- 5.1.3 Make sure that the fireplace is clear of all material over the full area covered by the template including that marked "**Debris catchment area**".
- 5.1.4 Mark the fireplace floor through the slot at the "**Supply pipe entry**" line. If a direct connection to the appliance inlet connection is to be made, also mark at the fireplace front where position of the convection box rear corners through the pierced holes at arrows "**B**" and mark the position of the front corners at the points shown by arrows "**A**" on the template.
- 5.1.5 Remove the template and draw a line joining the points marking the corners of the convection box.

- 5.1.6 Install the supply.  
 Note that the centre of the appliance inlet elbow pipe is 25mm above the fireplace floor.  
 If a direct connection to the appliance inlet is being made, then, to make the final gas connection to the appliance easier, we recommend that the inlet elbow is removed from the appliance and fitted to the supply pipe at this stage.

## 6. APPLIANCE PREPARATION FOR INSTALLATION

- 6.1 Detach the burner and control unit by removing the screw and nut securing the burner front plate to the bracket at the bottom of the convection box (see fig. 5). Put the burner unit, screw and nut in a safe place.

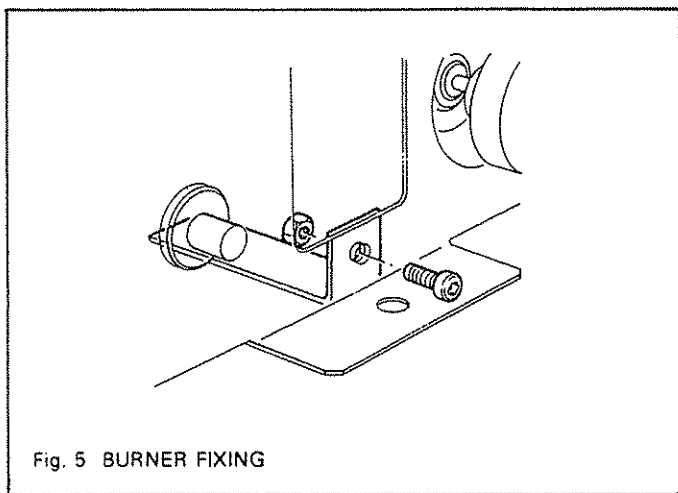


Fig. 5 BURNER FIXING

- 6.2 Fit the two small "U" section seals to the bottom edges of the convection box side flanges (see fig. 6).

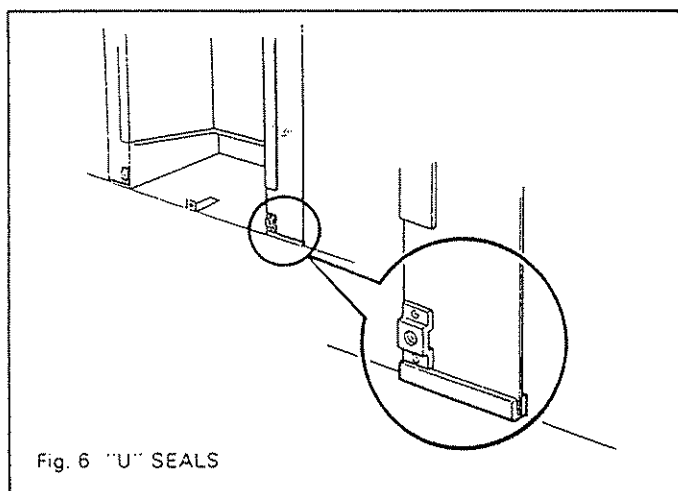


Fig. 6 "U" SEALS

### 6.3 For Concealed connection only

Cut a slit in the seal situated near the bottom left or right corner of the convection box back to allow the supply pipe to pass through (see fig. 7). The seal must envelope the pipe.  
**IF A CONCEALED CONNECTION IS NOT USED, THIS SEAL MUST ALWAYS REMAIN INTACT.**

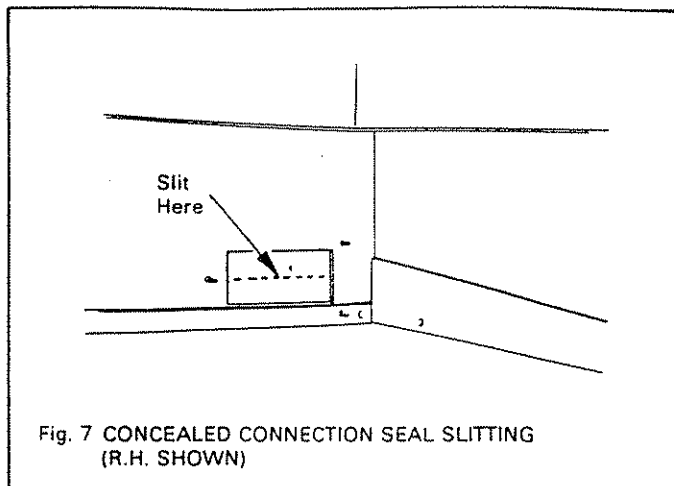


Fig. 7 CONCEALED CONNECTION SEAL SLITTING (R.H. SHOWN)

## 7. APPLIANCE INSTALLATION

### 7.1 CONVECTION BOX INSTALLATION

#### 7.1.1 Method (1) - Front Fixing to Fireplace Surround

Make sure the fixing area is satisfactory - See section 4 of these instructions.

- 7.1.1.1 Place the convection box unit centrally in the fireplace in the position in which it is to be permanently installed. **Note:** If a concealed connection is being used, make sure that the supply pipe enters the convection box through the slit in the left or right rear seal.

- 7.1.1.2 Mark the fireplace surround at the position of the two fixing holes in each of the front side flanges of the convection box (see fig. 8).

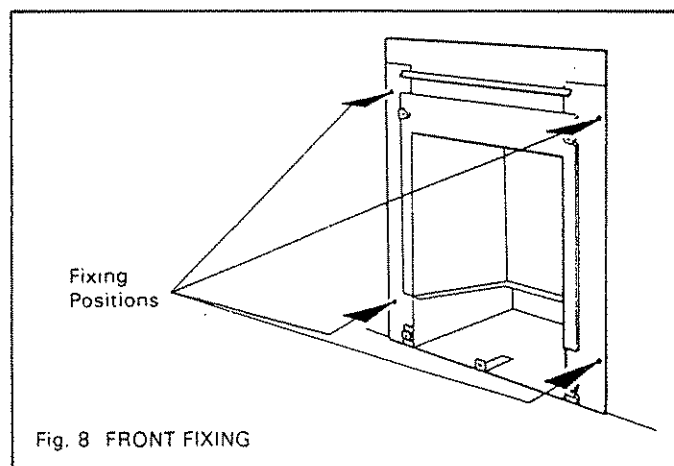


Fig. 8 FRONT FIXING

- 7.1.1.3 Drill four holes in the surround at the marked positions using a No. 12 masonry drill.  
 7.1.1.4 Insert a rawlplug into each hole.  
 7.1.1.5 Place the convection box unit back in position in the fireplace.  
 7.1.1.6 Fit a woodscrew through each hole in the convection box flanges and tighten to seal the box to the fireplace surround.

## 7.1.2 Method (2) - Cable Retention and Floor fixing

7.1.2.1 Drill two holes in the rear wall or floor of the fireplace for the eyebolt plugs. The holes should be drilled within the range of positions shown in fig. 9 using a No. 12 masonry drill. The holes should be equidistant each side of the centre line of the fireplace to ensure that the appliance finishes centrally in the opening when tension is applied to the cables.

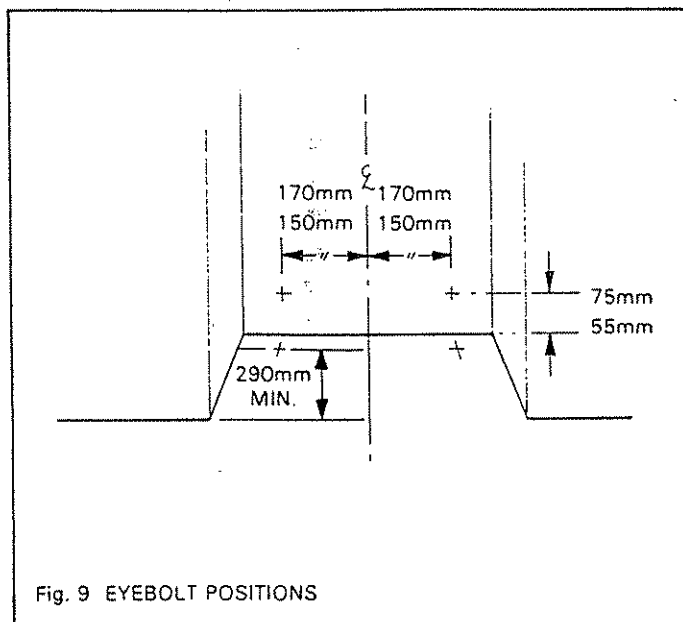


Fig. 9 EYEBOLT POSITIONS

7.1.2.2 Insert a fibre plug into each hole. Use the rawlplugs supplied with this appliance - NEVER USE PLASTIC PLUGS INSTEAD OF THE FIBRE PLUGS SUPPLIED. Screw the eyebolts into the plugs. Make sure that the bolts are secure.

7.1.2.3 Place the convection box unit close to the fireplace but allow sufficient access into the fireplace opening so that the cables can be threaded through the eyebolts and returned through the back of the convection box unit.

**Note:** If a concealed connection is being used, make sure that the supply pipe enters the convection box through the slit in the left or right rear seal.

7.1.2.4 The convection box unit has two holes at each side of the convected air opening. Insert one end of each cable (one cable each side) from the back through the lower of the two holes and return the end through the upper of the

holes (see fig. 10). Give the cables a pull so that they grip against the convection box flanges.

7.1.2.5 Thread the cables through the eyebolts in the rear wall. Return the cables through the holes near the bottom of the convection box back panel and through the "V" shaped brackets near the bottom front sides of the convection box. (see fig. 11).

7.1.2.6 Place the convection box unit fully back into the fireplace opening so that it is sealed against the surround.

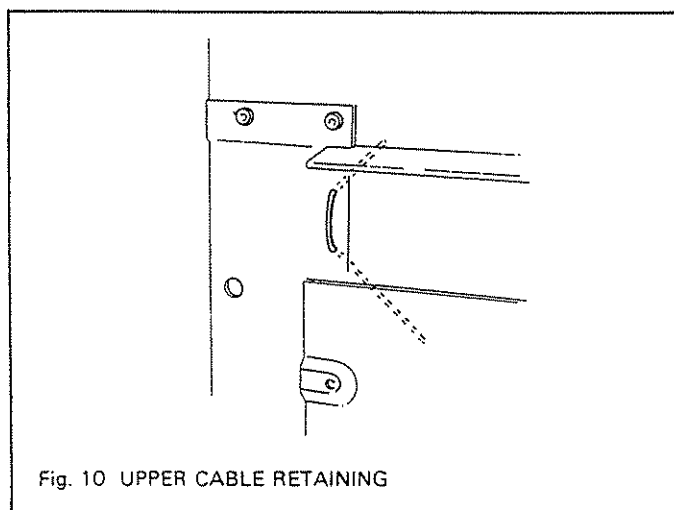


Fig. 10 UPPER CABLE RETAINING

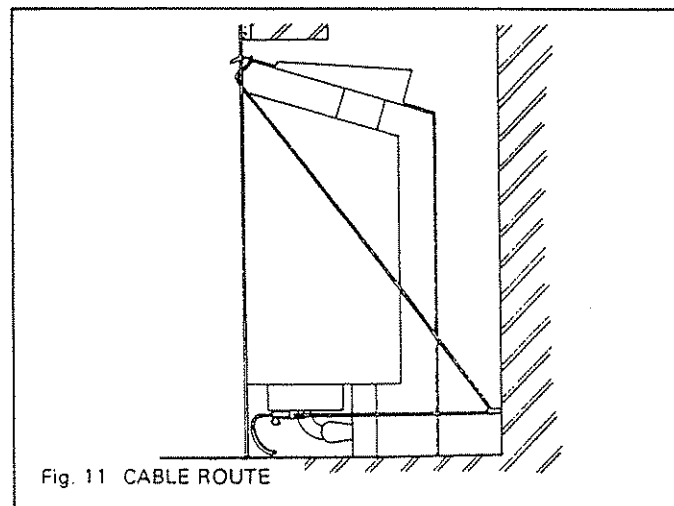


Fig. 11 CABLE ROUTE

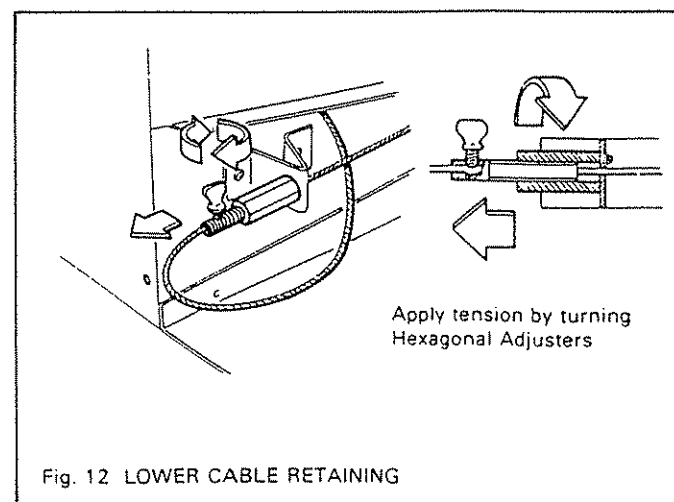


Fig. 12 LOWER CABLE RETAINING

- 7.1.2.7 Fit a cable retainer over bottom end of each cable.
- 7.1.2.8 Pull each cable taut. Push the cable retainers hard up against the "V" brackets and tighten the screws in the retainers so that they clamp the cables in position. Apply tension to the cables by turning the hexagonal adjusters by hand (see fig. 12).
- 7.1.2.9 Drill a hole into the fireplace floor through each of the two holes in the base of the convection box base using a No. 12 masonry drill (see fig. 13).

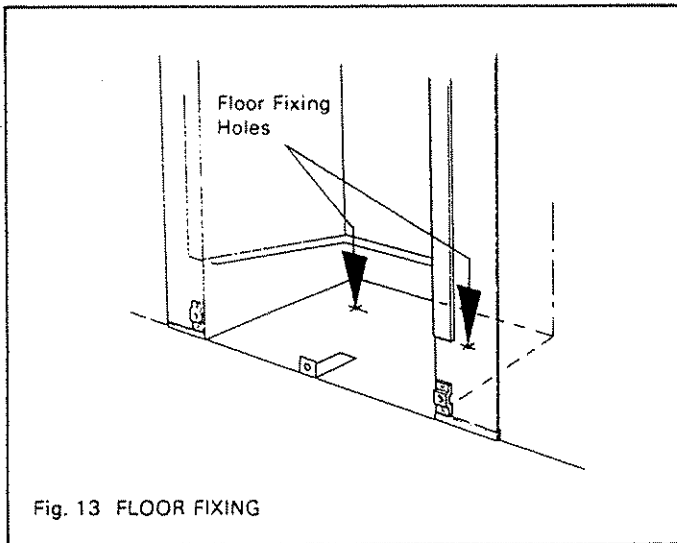


Fig. 13 FLOOR FIXING

- 7.1.2.10 Insert a fibre plug into each hole. Use the rawplugs supplied with this appliance - NEVER USE PLASTIC PLUGS INSTEAD OF THE FIBRE PLUGS SUPPLIED. Fit a woodscrew in each plug and tighten
- 7.1.2.11 Inspect the fit of the convection box to the fireplace surround. If it is aligned squarely and the sealing is satisfactory, fully tighten the cable retainers.
- 7.1.2.12 If the convection box is not correctly aligned, release the tension on the cables by slackening the screws and turning the hexagonal adjusters fully anti-clockwise. The convection box should then automatically realign itself. Pull each cable taut again and push

the cable retainers back against the "V" brackets. Again, tighten the screws in the retainers and apply tension to the cables by turning the hexagonal adjusters clockwise as far as possible.

- 7.1.2.13 Push the free length of the cables inside the convection box so that they are available to allow easy removal and refitting of the appliance during subsequent service calls.

## 7.2 SEAL THE FLOOR FRONT

Using a suitable tape, seal the bottom of the convection box to the fireplace and hearth floor (see Fig. 14).

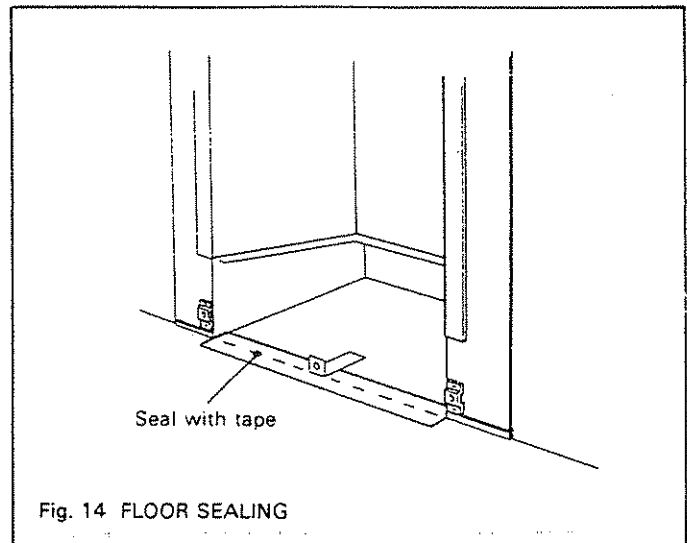


Fig. 14 FLOOR SEALING

## 7.3 FIT SURROUND

Fit the front surround to the convection box with two screws each side (see fig. 15).

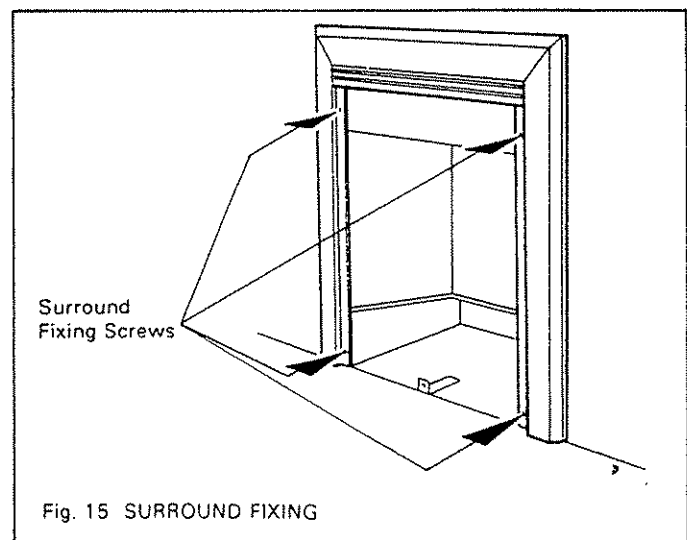


Fig. 15 SURROUND FIXING



## 7.4 REFIT BURNER AND CONTROL UNIT

Place the burner and control unit back in position in the convection box unit. Refit the screw and nut to secure the burner front plate to the bracket at the bottom of the convection box.

## 7.5 GAS CONNECTION

Connect the supply line to the appliance at the inlet elbow either directly or via an isolating elbow and pipe.

## 7.6 CHECK FOR GAS SOUNDNESS

Turn on the gas supply and check for gas soundness with a leak detection fluid (see B.S.6891). A long brush may be required to reach some joints.

## 7.7 ASSEMBLE THE FUEL BED

7.7.1 Fit the back brick into the rear compartment of the burner unit (see fig. 16).

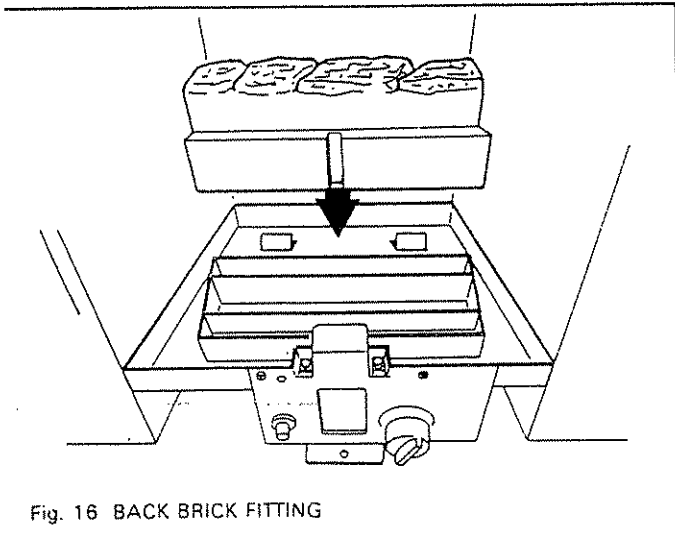


Fig. 16 BACK BRICK FITTING

7.7.2 Place the left and right side cheeks in position against the sides of the convection box. The large cutout at the rear of the cheeks should locate over the step in the back brick (see fig. 17).

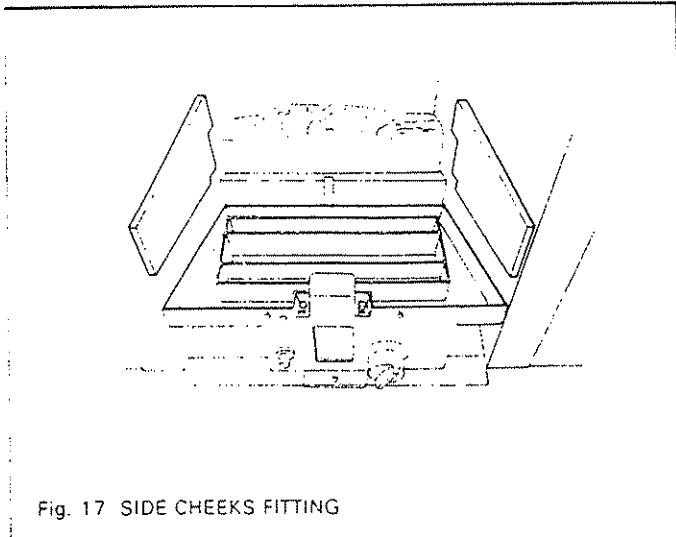


Fig. 17 SIDE CHEEKS FITTING

7.7.3 Pour the vermiculite into all the burner unit cavities. Using a flat implement (a steel rule, straight piece of pipe etc.), level the vermiculite so that the top edges of the burner unit compartments are visible. Lightly tamp down the vermiculite. When levelling, make sure that none of the vermiculite is pushed into the pilot burner outlet (see fig. 18). N.B. There will be some vermiculite left over for future use. Please hand this over to the user.

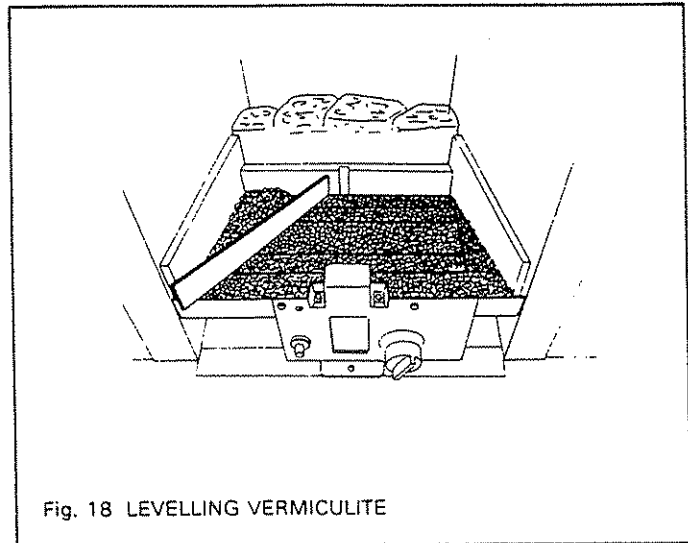


Fig. 18 LEVELLING VERMICULITE

7.7.4 Place the coal support grid in position making sure that it locates fully in the channel at the centre of the back brick (see fig. 19).

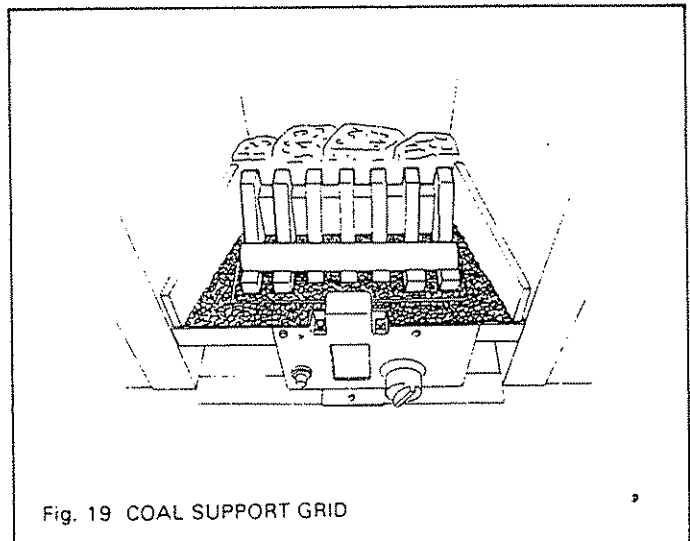


Fig. 19 COAL SUPPORT GRID

7.7.5 Place the coals on the fire. The coals are of differing sizes and shapes.

7.7.5.1 Place the large triangular shaped coal on top of the pilot cover and so that it forms a bridge between the pilot cover and the coal support grid (see fig. 20).

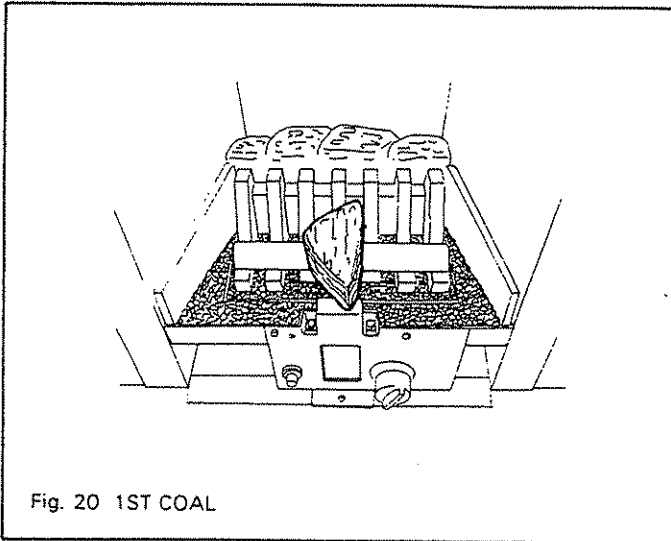


Fig. 20 1ST COAL

7.7.5.2 Place four of the smaller coals along the front of the fire. For best effect leave a space between each of the coals and also a space between the coals and the coal support grid (see fig. 21).

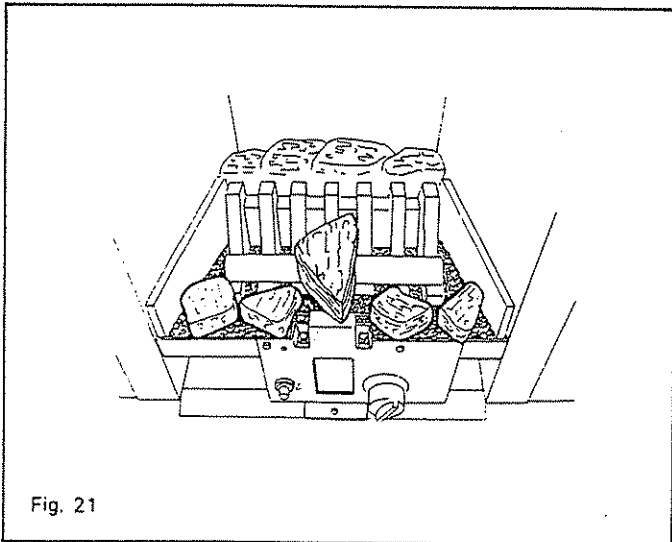


Fig. 21

7.7.5.3 Use four of the larger coals to form bridges between the coal support grid and the front row of coals - See fig. 22.

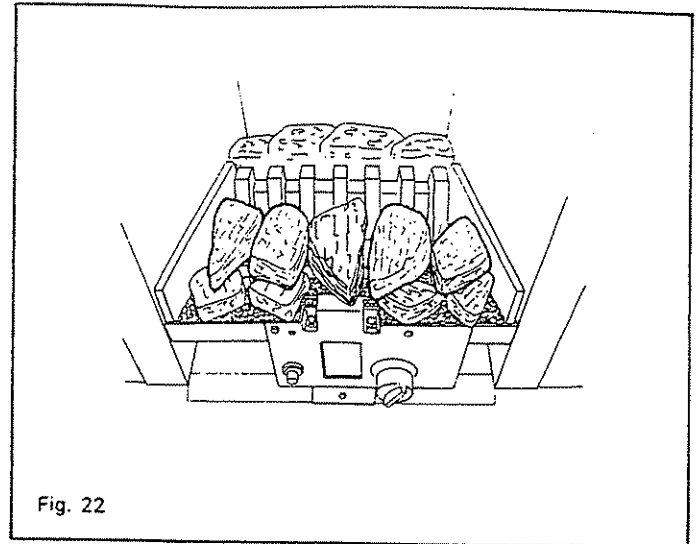


Fig. 22

7.7.5.4 The three rear "round" coals **must** be placed as follows: Take one of the rear "round" coals from the pack of three and place it on the top edge of the ceramic grid so that it rests on the left hand side cheek and on the back brick. Place a second "round" coal in a similar manner on the right hand top edge of the ceramic grid. Place the third "round" coal on the top of the grid in the centre, again resting it on the back brick (see fig. 23).  
Note: It may not be possible to balance the third coal exactly in the centre but make sure that there is a gap between it and the other "round" coals.

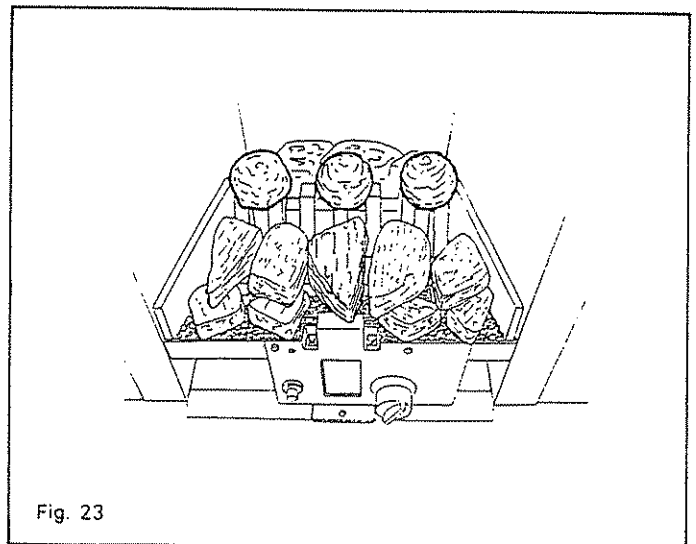


Fig. 23

7.7.5.5 The final four coals should be placed between the rear "round" coals and the bridging coals leaving as many gaps as possible (see fig. 24).

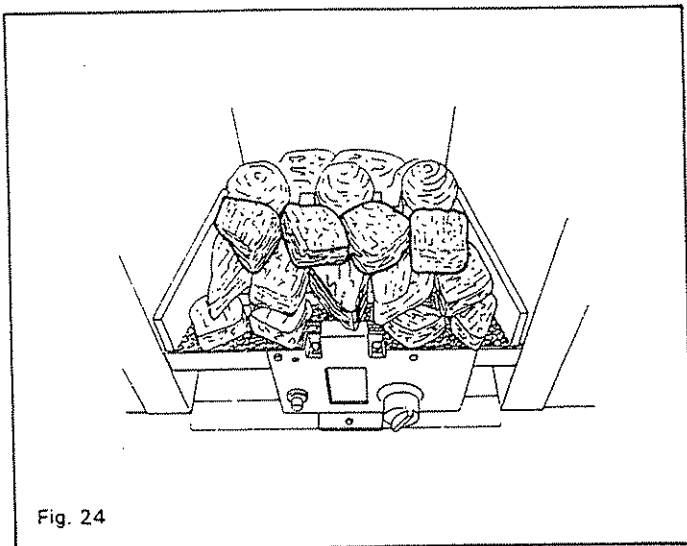


Fig. 24

7.7.5.6 The following points should be noted:-

- 1) For best effect, make sure that there are gaps between the coals.
- 2) Do not lay coals in the dip in the coal support grid. This will reduce the coal bed glow.
- 3) The coal bed will take time to warm up. Although some glow will be seen after 10 to 15 minutes, the full effect will only be apparent after a somewhat longer time.

## 8. FUNCTIONAL CHECKS

### 8.1 CHECK PILOT IGNITION

- 8.1.1 Push in and turn the control knob anti-clockwise to the IGN position. Hold the knob in as far as it will go and wait for a few seconds while the air is purged.
- 8.1.2 While still holding in the control knob, press the ignition button several times. Check that the pilot has lit.
- 8.1.3 Continue to hold in the control knob for a further ten seconds to ensure that the pilot flame is stable.
- 8.1.4 Release the knob. The pilot should remain alight.

### 8.2 CHECK ALL CONTROL POSITIONS

**Note:** When first turned on the flames will appear predominantly blue.

- 8.2.1 Turn the control knob anti-clockwise to MAX (depress the knob slightly to get past the LOW position). The main burner should now light.

- 8.2.2 Depress the knob slightly to release from the MAX position and turn back (clockwise) to LOW. While turning, the burner flames should gradually become lower but remain alight.

- 8.2.3 Depress the knob slightly to release from the LOW position and turn back (clockwise) to IGN. The main burner should extinguish but the pilot should remain alight.

- 8.2.4 Depress the knob slightly and turn back (clockwise) to OFF. The pilot should go out.

### 8.3 CHECK REFERENCE PRESSURE

The appliance is preset to give the correct heat input at the inlet pressure shown on page 1. No further adjustment is necessary. The burner pressure should be checked by fitting a pressure gauge at the test point accessible through the aperture in the front plate (see fig. 25).

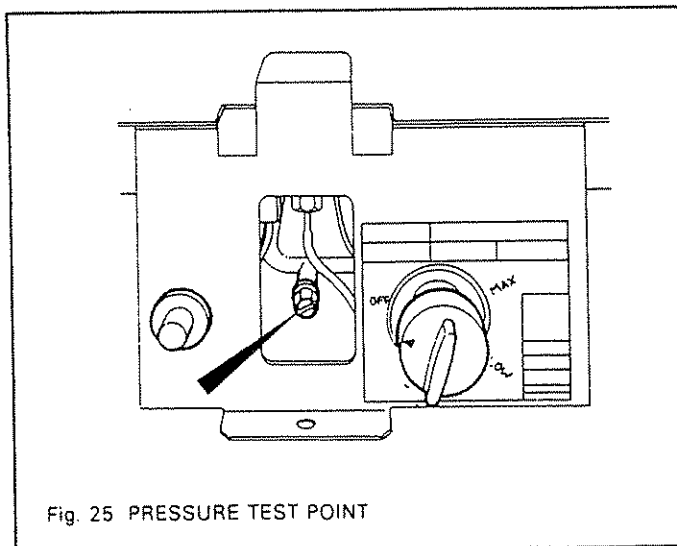


Fig. 25 PRESSURE TEST POINT

The pressure should be checked with the appliance alight and the control set at MAX.

The cold setting pressure should be as shown on page 1.

After checking the pressure, turn off the appliance. Remove the pressure gauge and replace the test point sealing screw. Re-light the appliance. Turn to MAX position and test around the sealing screw for gas soundness using a suitable leak detection fluid.

## 8.4 CHECK FOR SPILLAGE

A SPILLAGE CHECK MUST BE MADE BEFORE THE INSTALLED APPLIANCE IS LEFT WITH THE CUSTOMER. MAKE THIS TEST WITH ALL THE COALS AND THE FRONT GRATE IN POSITION BUT BEFORE THE TOP FRONT CROSS MEMBER IS FITTED. CARRY OUT THE TEST AS FOLLOWS:

- 8.4.1 Close all doors and windows in the room containing the appliance.
- 8.4.2 Light the appliance and set the control at MAX.
- 8.4.3 Leave the appliance on for five minutes then light a smoke match. The match should be inserted inside the top of the fire front opening and be pointed upwards at 45° to the vertical. Insert the match 110mm in from the **right** side of the opening. There is a location "pip" on the firebox front at this position. The match tip should project 30mm past the inner edge of the horizontal strip at the top of the fire front opening and the match stem should touch this edge (see fig. 26).

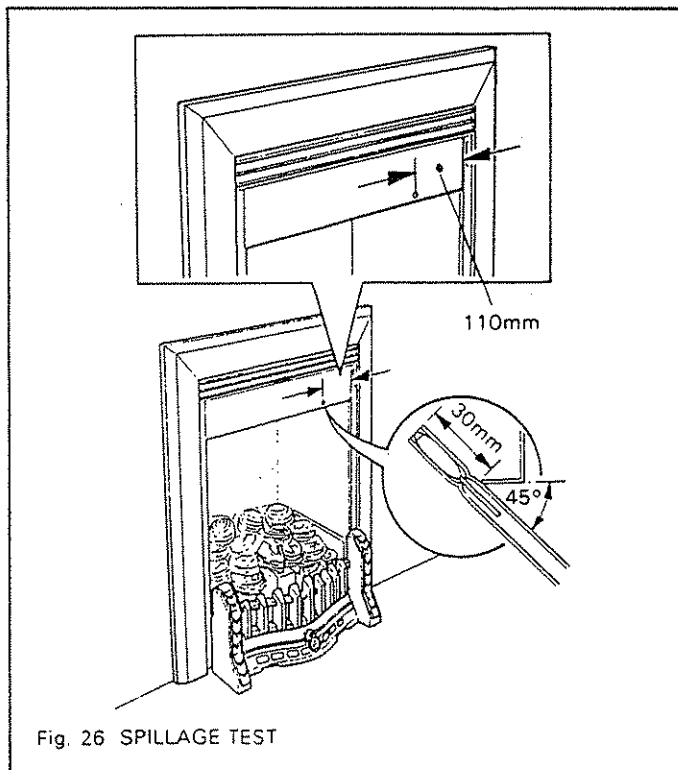


Fig. 26 SPILLAGE TEST

The installation is satisfactory if the smoke is drawn into the appliance. If the smoke is not drawn into the appliance, leave the appliance alight on MAX for a further 10 minutes and then

repeat the test. If the smoke is still not drawn into the appliance inspect the sealing to the fireplace surround. If the sealing is satisfactory **DISCONNECT THE APPLIANCE AND SEEK EXPERT ADVICE.**

- 8.4.4 Open all internal connecting doors, hatches etc. in the room. Keep all doors and windows which open to the outside of the building closed. Re-check for spillage as above. If an extractor fan is installed in the same room as the appliance or a connecting room, check that spillage does not occur with the fan operating and all doors and other openings between the fan and the appliance open.

## 8.5 FIT FRONT CROSS MEMBER

Fit the fire front cross member by hooking its lugs into the slots in the front surround (see fig. 27)

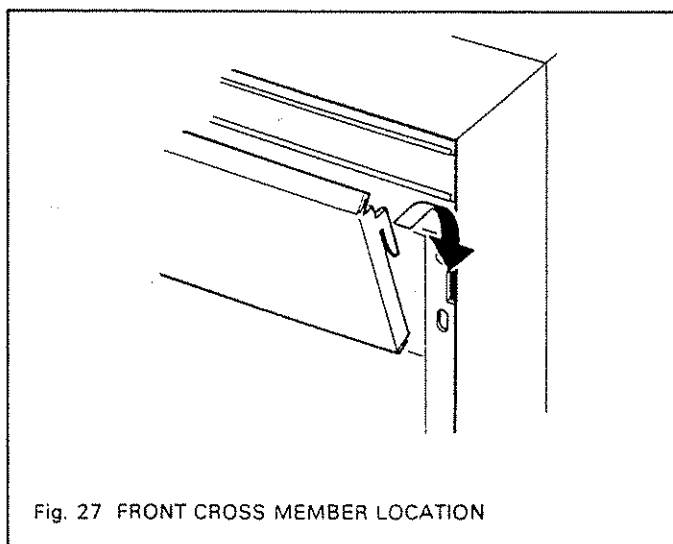


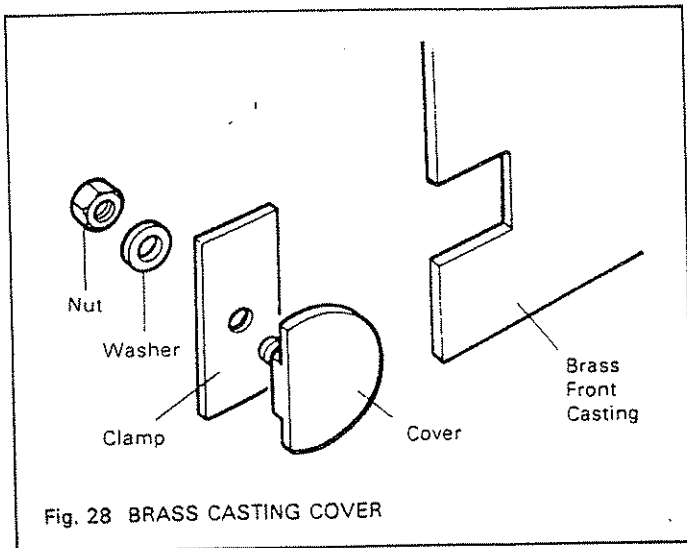
Fig. 27 FRONT CROSS MEMBER LOCATION

## 8.6 POSITION FRONT CASTINGS

Place the fire front casting and control cover casting in position centrally in front of the fire.

**Note:** The brass fire front casting supplied with Model 617 is fitted with covers to conceal the cut-outs at the sides of the casting. If the supply pipe runs to either side of the fireplace front, the relevant cover will have to be removed to clear the pipe run (see fig. 28).

These covers are not fitted to the black casting (Model 617B).



## 10.1 TO REMOVE PILOT BURNER UNIT

- 10.1.1 Remove the front grate unit. Remove all the coals, support grid, side cheeks and back brick. Remove as much vermiculite as possible and store in a suitable container.
- 10.1.2 Disconnect the appliance from the gas supply pipe at the inlet elbow.
- 10.1.3 Detach the burner and control unit by removing the screw and nut securing the burner front plate to the bracket at the bottom of the convection box (see fig. 5). Remove the burner and control unit. Remove any remaining vermiculite and store in the container.
- 10.1.4 Disconnect the main burner pipe from the injector at the venturi end.
- 10.1.5 Detach the front unit by removing the two screws holding the front plate to the main tray.
- 10.1.6 Undo the thermocouple nut at the gas tap.
- 10.1.7 Undo the pilot supply pipe at the pilot end.
- 10.1.8 Remove the electrode lead from the tag at the electrode end.
- 10.1.9 Remove the two screws holding the pilot burner unit to the front plate. The pilot unit can now be removed.
- 10.1.10 Re-assemble in the reverse order. Top up, if necessary, with a spare supply of vermiculite.

## 10.2 TO REMOVE INDIVIDUAL PILOT BURNER COMPONENTS

- 10.2.1 Proceed as item 10.1.
- 10.2.2 Remove the screw at the front of the pilot burner bracket.
- 10.2.3 The front bracket can now be removed to allow separation and replacement of the various pilot unit components, i.e. electrode, thermocouple, pilot head and pilot injector.  
**Note:** The pilot jet incorporates a filter.
- 10.2.4 Re-assemble in the reverse order. Make sure that the pilot unit components are reassembled correctly. Note particularly the position of the pilot head slotted outlet aperture (see fig. 29).

## 9. FINAL CHECK AND CUSTOMER BRIEFING

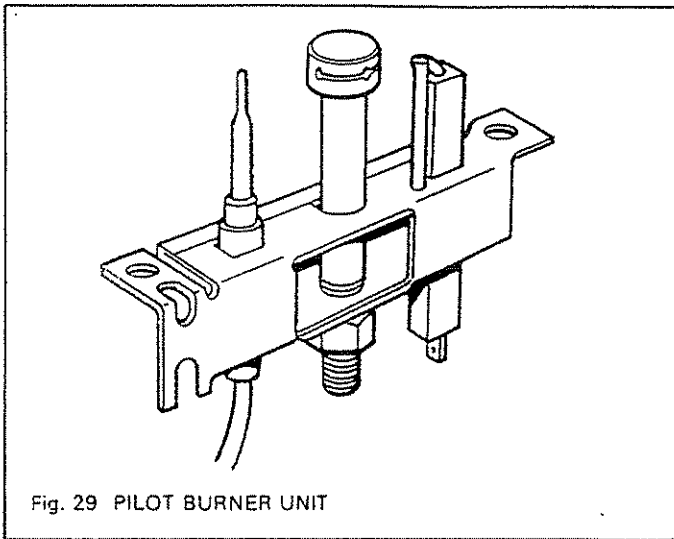
- 9.1 Instruct the customer on the full operation of the appliance.
- 9.2 Advise the customer how to assemble the coals as described in the instructions and that any build up of soot can be removed as also described in the users instructions.
- 9.3 Advise the customer that any cleaning should be carried out when the appliance is cold.
- 9.4 Advise the customer that some vermiculite will be lost during the life of the appliance due to cleaning etc. and that the surplus should, therefore, be kept in a safe place for replenishment.
- 9.5 Hand over these instructions and the users instructions to the customer.
- 9.6 Recommend that the appliance should be serviced and the chimney inspected by a competent person at least once a year.

## 10. SERVICING

TURN OFF THE GAS SUPPLY BEFORE COMMENCING ANY SERVICING. ALWAYS TEST FOR GAS SOUNDNESS AND SPILLAGE AFTER REFITTING THE APPLIANCE. (A LONG BRUSH MAY BE REQUIRED TO REACH SOME JOINTS FOR SOUNDNESS TESTING.)

Check that the appliance is clean and that soot deposit or debris is not blocking gaps between coals causing an imperfect flame appearance or that stray pieces of vermiculite are not impairing the electrode spark or pilot burner. If the pilot flame is not satisfactory, check that the filter on the pilot injector is clear. Replace the injector and filter if necessary - For access see section 10.2.

After servicing, make sure that the back brick, side cheeks, grid, vermiculite and coals are correctly assembled as described in the installation instructions.



Check that the spark gap is  $4.0 \pm 0.5$ mm between the earthing post and the tip of the electrode.

### 10.3 TO REMOVE CONTROL TAP

- 10.3.1 Proceed as 10.1.1 to 10.1.3.
- 10.3.2 Disconnect the thermocouple at the tap end.
- 10.3.3 Disconnect the pilot burner pipe at the tap end.
- 10.3.4 Disconnect the main burner pipe at the tap end.
- 10.3.5 Disconnect the inlet pipe at the tap end.
- 10.3.6 Pull off the control knob.
- 10.3.7 Remove the control tap fixing nut to release the tap from the front plate. The tap can now be exchanged.
- 10.3.8 Re-assemble in the reverse order.

### 10.4 TO REMOVE THE PIEZO UNIT

- 10.4.1 Proceed as 10.1.1 to 10.1.3.
- 10.4.2 Remove the electrode lead from the tag on the piezo unit.
- 10.4.3 Remove the locknut at the rear of the front plate. The piezo unit can now be removed and exchanged.
- 10.4.4 Re-assemble in the reverse order.

### 10.5 TO REPLACE THE MAIN BURNER INJECTOR

- 10.5.1 Proceed as 10.1.1 to 10.1.4.
- 10.5.2 Unscrew the injector from the rear support bracket.
- 10.5.3 Re-assemble in reverse order.

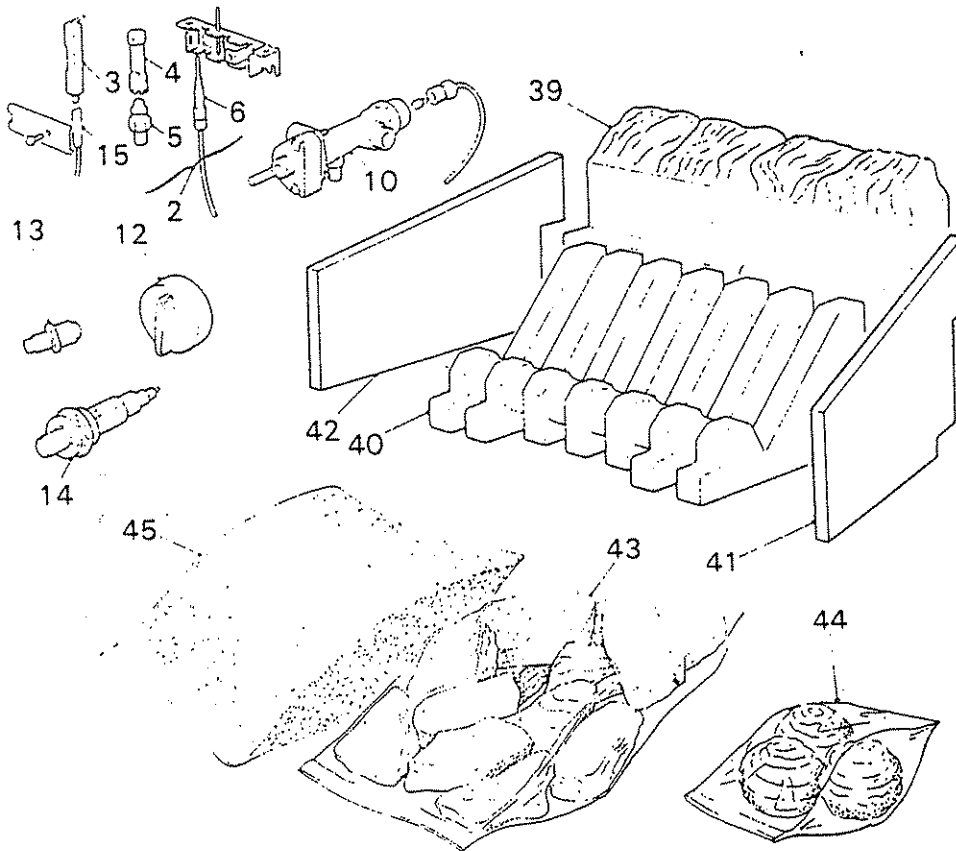
### 10.6 TO REMOVE DECORATIVE SURROUND

- 10.6.1. If there is a front L.H. or R.H. gas connection to the supply, this will have to be disconnected to give access to the bottom screws securing the front surround.
- 10.6.2 To prevent it being damaged, remove the fire front cross member by lifting it upwards to clear its fixing lugs and pulling forward (see fig. 27).
- 10.6.3 Remove the front surround by unscrewing two screws from each side (see fig. 15).

### 10.7 TO REMOVE THE APPLIANCE FROM THE FIREPLACE

- 10.7.1 Remove the burner and control unit as described in 10.1.1 to 10.1.3.
- 10.7.2 Remove the decorative surround as described in 10.6.
- 10.7.3 If fire retention is as method 1 (See 7.1.1 in installation section), remove screws.  
If fire retention is as method 2 (See 7.1.2 in installation section), slacken the hexagonal adjusters on the cable retainers and unscrew the thumbscrews to release the cables.
- 10.7.4 If the appliance is attached to the fireplace floor, remove the two fixing screws.
- 10.7.5 Refit as described in the installation section. Make sure gas soundness, sealing, spillage test and performance are satisfactory

## SPARES SHORT LIST



KEY No.	G.C. PART No.	DESCRIPTION	No. OFF	MAKERS PART No.
2	397852	PILOT BURNER UNIT	1	508769
3	397849	ELECTRODE	1	508779
4	397853	PILOT BURNER HEAD	1	508789
5	397854	PILOT BURNER INJECTOR	1	508799
6	397850	THERMOCOUPLE	1	508809
10	386135	CONTROL TAP	1	518749
12	124685	CONTROL KNOB	1	502759
13	398405	MAIN BURNER INJECTOR (for appliances with serial no. less than 200000)	1	518759
	389566	MAIN BURNER INJECTOR (for appliances with serial no. above 200000)	1	521830
14	378293	PIEZO GENERATOR	1	554909
15	124185	ELECTRODE LEAD	1	542349
39	124680	BACK BRICK	1	508879
40	124682	CERAMIC GRID	1	508889
41	124789	SIDE CHEEK - RIGHT SIDE	1	518849
42	124790	SIDE CHEEK - LEFT SIDE	1	518859
43	124791	PACK OF 13 MAIN COALS	1	518869
44	124792	PACK OF 3 "ROUND" COALS	1	518879
45	124679	PACK OF VERMICULITE	1	508909