



OWNER'S GUIDE

ETERNITY

MODEL 540C
(GC No. 32-032-19)

INSET
BALANCED FLUE
GAS FIRE



**THIS APPLIANCE IS FOR USE WITH NATURAL GAS (G20)
THIS APPLIANCE IS FOR USE IN THE UNITED KINGDOM (GB) AND THE
REPUBLIC OF IRELAND (IE) ONLY.**

This guide is intended to help you care for your gas fire. Please read thoroughly before using and keep for future reference

We trust that this guide gives sufficient details to enable the your appliance to be operated and maintained satisfactorily. However, if further information is required, the **Valor AdviceLine** will be pleased to help.

Please telephone **0345 626341** (Local call rates apply).

This guide to be left with the owner

OWNER'S GUIDE

Safety First.

Suncrest fires are CE Approved and designed to meet the appropriate British Standards and Safety Marks.



Quality and Excellence at the heart of every Suncrest fire.

All Suncrest fires are manufactured to the highest standards of quality and excellence and are manufactured under a BS EN ISO 9001 quality system accepted by the British Standards Institute.

Careful Installation

All our gas fires must be installed by a competent CORGI Registered Installer in accordance with our Installer Guide and should not be fitted directly on to a carpet or floor of combustible material.

Because our policy is one of constant development and improvement, details may vary slightly from those given in this publication

OWNER'S GUIDE

LIST OF CONTENTS

SAFETY.....	4
DIMENSIONS & GAS CONSUMPTION.....	5
OPERATING YOUR FIRE.....	6
CLEANING YOUR FIRE.....	7
SERVICING & MAINTENANCE.....	9

C U S T O M E R C A R E

Thank you for choosing Suncrest.

All Suncrest gas fires are designed to meet the most stringent quality, performance and safety requirements to provide our customers with many years' trouble-free service.

Your owner guide aims to improve your understanding and appreciation of your Suncrest gas fire by providing simple and informative instructions to ensure that you benefit from the excellent performance and features it has to offer.

If you require further assistance or any advice about gas in general, the **Valor AdviceLine** will be pleased to help.

Please telephone **0345-626 341** (local call rates apply in the United Kingdom).

OWNER'S GUIDE

SAFETY

IF YOU SMELL GAS

DON'T SMOKE

EXTINGUISH ALL NAKED FLAMES

DON'T TURN ELECTRICAL SWITCHES ON OR OFF

TURN OFF THE GAS SUPPLY AT THE METER

OPEN DOORS AND WINDOWS TO GET RID OF THE GAS

IMMEDIATELY CALL THE GAS EMERGENCY SERVICE – SEE YOUR LOCAL TELEPHONE DIRECTORY

- As with any gas appliance, this fire must be installed by a competent person. In the United Kingdom, installation must be in accordance with the latest edition of the Gas Safety (installation & use) Regulations.
- In the Republic of Ireland, installation must be in accordance with all national and local regulations in force.
- Although this appliance does not have to be on a non-combustible hearth, it must stand on a hard level surface.

It must not stand on or near a carpet, rug or other soft surface which could interfere with the flow of air into and through the bottom of the heater. The floor must be free from such soft-surface floor coverings over the full width of the appliance side-to-side for at least 300mm forward from the wall at the back of the fire.

- The minimum height from the top surface of the hearth to the underside of any shelf made from wood or other combustible material and which is not more than 150mm deep is 780mm.

For shelves deeper than 150mm add 12.5mm to the above clearance for every 25mm of additional shelf depth.

- A minimum clearance of 51mm should be maintained each side of the fire for servicing access.
- The fire should not be used without the fuel bed and ceramic rear firebox wall in their correct positions or if they are damaged.
- The fire must never be used without the glass window panel in position or with damaged glass. If the glass is damaged, the fire must be switched off and not used until the panel is replaced.
- Never put any paper or other material on the fire. Never add any loose coals on to the ceramic fuel piece supplied with the fire. This could cause a safety hazard.
- It should be appreciated that although this appliance conforms to all the applicable standards, it is a heating appliance and certain parts of its surface will become hot. A suitable guard that complies with BS 6539 or 6778 should be used for the protection of young children, the elderly and the infirm. Such a guard is also recommended for the protection of pet animals.

OWNER'S GUIDE

- Always switch the fire off and allow to cool before handling. Note that this appliance retains heat for some time after it has been switched off.
- Never hang clothing, towels or any other fabrics over the fire.
- Soft wall coverings (e.g. embossed vinyl etc.) are easily affected by heat. They may, therefore, scorch or become discoloured when close to a heating appliance. Please bear this in mind when having a heating appliance installed and when redecorating.
- The flue terminal on the outside wall must be kept free from all obstructions and blockages.
- This appliance is fitted with a device which will automatically shut off the supply of gas to the fire if, for any reason, the pilot burner goes out. If this device operates or if the fire is accidentally or intentionally turned off always wait at least three minutes before attempting to relight.

DIMENSIONS & GAS CONSUMPTION

Gas Consumption

This appliance has a maximum gas input at its highest setting of 3.65kW (Gross)

The maximum heat output is 2.7kW.

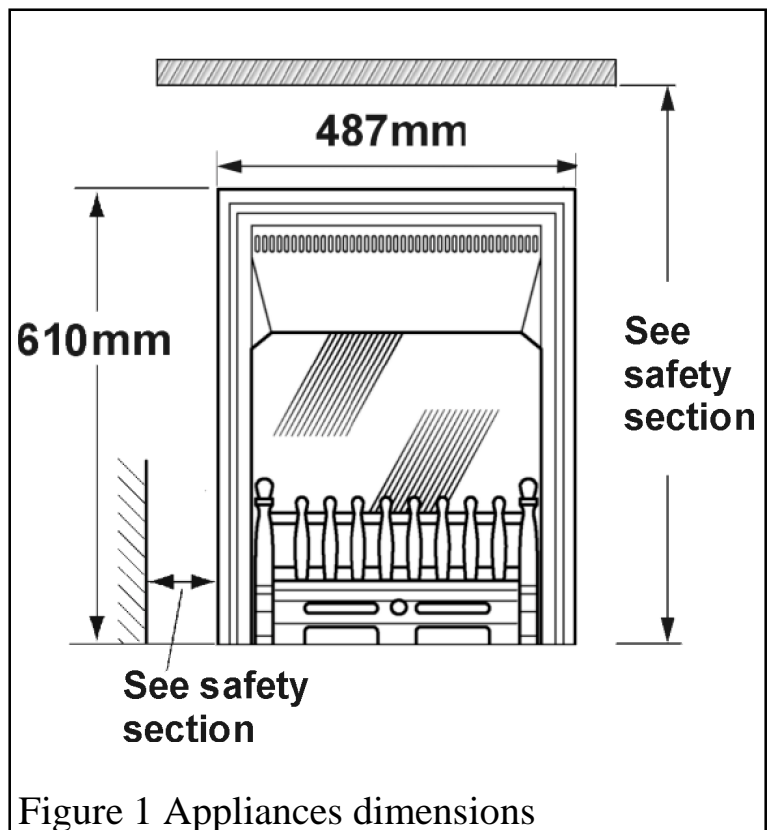


Figure 1 Appliances dimensions

OWNER'S GUIDE

OPERATING YOUR FIRE



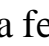
The pilot may be left alight. It is advisable, however, that the pilot is turned off if the premises are to be left unoccupied for a lengthy period.

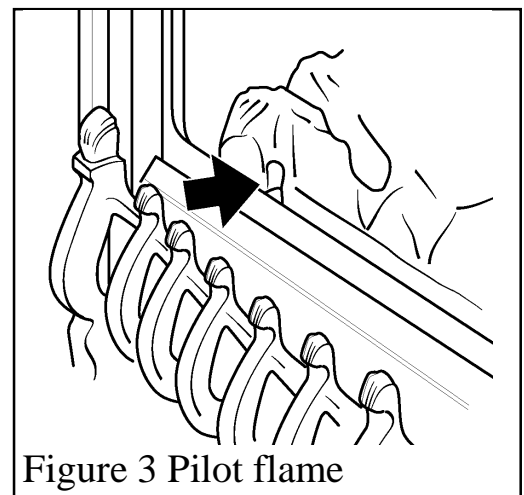
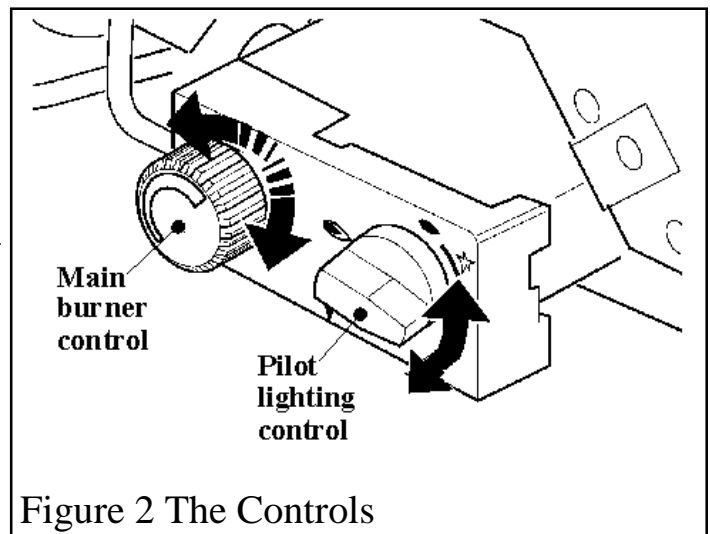
For your safety the fire is fitted with a flame supervision device which will shut off the gas supply if for any reason the pilot goes out. This device incorporates a fixed probe which senses the heat from the pilot flame. If the probe is cool the device will prevent any gas flow unless the pilot lighting knob is held in. This device also stops the fire being turned back on until it is safe after it has been turned off.

If, for any reason, the fire goes out or if the fire is turned off, always *wait at least three minutes before attempting to relight*


If the device starts to shut off the gas frequently, get expert advice

To light the pilot

- Push in the right control knob (the pilot lighting knob) and, while keeping it depressed, turn anticlockwise through the ignition position marked  and up to the pilot position marked . The spark should light the pilot. The pilot flame can be seen by looking through the gap near the left side of the coal front (See figure 3).
- When the pilot has lit, keep the right hand control knob depressed for a few seconds to prevent the flame supervision device from shutting off the gas supply while its probe warms up, as explained above, then release it. If the pilot does not remain alight turn the knob back to the off position marked . Wait a few seconds and repeat the lighting sequence.



To Light the Main Burner

- Partially depress the right control knob and turn to the main burner position marked . The main burner should now light at its low position.
- The left-hand knob is for burner flame adjustment. Turning it anticlockwise should gradually increase the flame height and heat output. Turning clockwise reduces the flame height and heat output.

OWNER'S GUIDE

- The burner flame control does not have to be re-set every time the fire is lit. Once set, it can be left at that position allowing you to use the right hand control only to ignite the burner at the set flame height.

To Turn Off the Main Burner Only

Turn the right hand control knob to the pilot position marked ●.

To Turn Off the Main Burner and Pilot

Turn the right hand control knob to the pilot position marked ●. Push the knob in at this position and turn to the off position marked ●.

CLEANING YOUR FIRE

Turn the fire off and allow it to cool before attempting any cleaning. Note that the fire will retain heat for some time after it has been turned off.

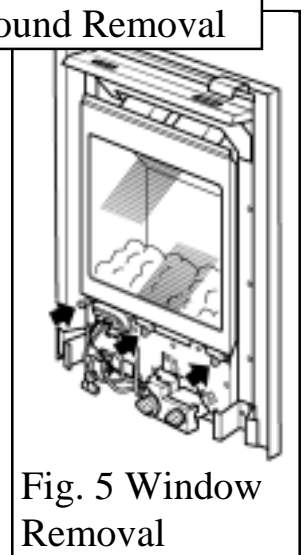
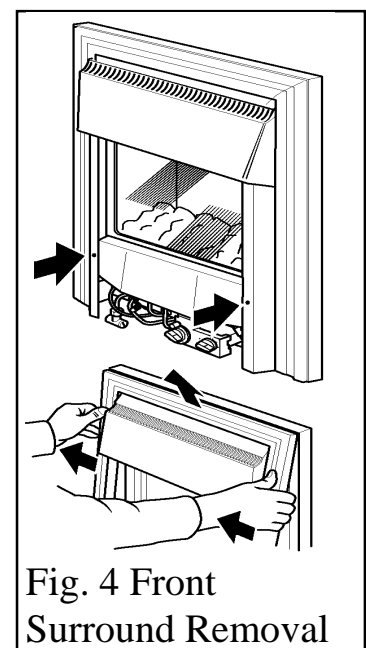
Metal parts

Clean the metal parts with a slightly damp cloth and then dry. *Do not use abrasive cleaners, they could scratch the surface.*

To clean the inside of the window.

Before the window can be detached, the front units will have to be removed as follows (See figure 4):

- Remove the bottom front casting.
- Lift the fire front casting clear.
- Remove the two screws securing the bottom of the front surround to the sides of the convection box
- Raise the front surround to allow the retaining lugs at the top to clear the slots in the convection box hood and then lift clear.
- Unscrew and remove the three spring loaded window fixing screws and washers from the base of the window frame. See figure 5. Keep the screws and washers in a safe place.
- Gently swing the base of the window frame forward while lifting the frame upwards. The window should lift clear of the fire. Put the window in a safe place.
- Any stains on the glass can be removed with a non-abrasive cleaner such as a ceramic hob cleaner. *Never use abrasive cleaners.* Clean the window carefully in accordance with the



OWNER'S GUIDE

instructions supplied with the cleaner.

- Replace the window making sure that the seal around the frame is not damaged or misplaced. Locate the channel at the top of the window over the top of the firebox opening.
- Refit the three spring-loaded screws and washers. Tighten sufficiently to seal to the firebox.
- Replace the case front.

To Clean the Fuel Bed or Rear Ceramic Wall

If, for any reason the fuel bed or rear wall require cleaning proceed as follows:-

- Remove the front case and window as described above.
- Carefully lift the fuel bed out of the firebox and place it on a piece of cardboard or similar.
- If necessary remove the rear ceramic wall from the bottom channel by pushing the bottom edge of the wall upwards and very slightly pulling the top forward.
- Carefully vacuum the upper and lower surfaces of the fuel bed (and wall if necessary) using a soft brush attachment.
- When refitting the fuel bed, make sure that the front of the coal locates behind the two brackets which are behind the bottom front panel of the firebox. See figure 6.

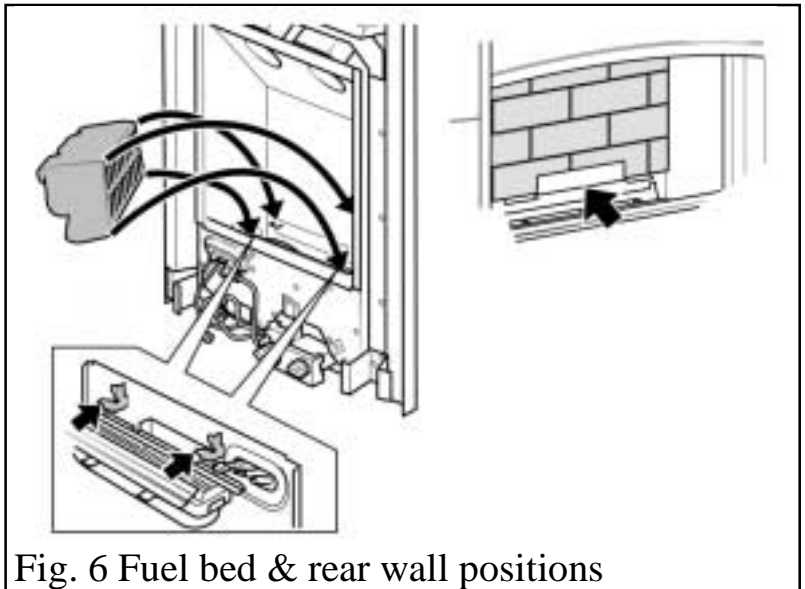


Fig. 6 Fuel bed & rear wall positions

OWNER'S GUIDE

SERVICING & MAINTENANCE

- In order to achieve and maintain high levels of personal safety and performance efficiency it is essential that the flue terminal outside the building is kept clear of any form of obstruction.
- We recommend that all gas appliances and their flues, are checked annually by a competent person (in the UK a CORGI registered installer).
- In the United Kingdom it is the law that a landlord must have any gas appliance, flue and pipework which is situated in a tenant's premises checked for safety at least every twelve months.

Customer Replaceable Spare parts

The following spare parts can be fitted by the user. It is essential that only correct parts approved for use with this appliance are fitted. When fitting these spares please follow the instructions.

Description	Part no.
Ceramic rear wall	571789
Ceramic fuel bed	571839
Window unit	571849
Spring loaded thumb screw (for window)	571899

To help us quickly help you, please try to have the following information available before you contact us:

- a) Your Post Code.**
 - b) Type of fire.**
 - c) Model/Name.**
 - d) Serial Number** This will be found on a label on a label tied below the firebox and visible when the bottom front cover is removed.
 - e) The fault, problem or request.**
- In the United Kingdom, for general advice about gas and your gas fire call **VALOR ADVICELINE 0345 626341.**