

## OWNER'S GUIDE

### MODEL

**5400 *Ultimate***

(with Low Level Control)  
(GC32-032-19)



**5401 *Colourway***

&

**5402 *Homestyle***

(both with High Level Control)  
(GC32-032-20)



**Room Sealed Radiant / Convector Gas Fires**

**THIS APPLIANCE IS FOR USE WITH NATURAL GAS (G20)  
THIS APPLIANCE IS FOR USE IN THE UNITED KINGDOM (GB) AND THE  
REPUBLIC OF IRELAND (IE) ONLY.**

This guide is intended to help you care for your gas fire. Please read thoroughly before using and keep for future reference

We trust that this guide gives sufficient details to enable the your appliance to be operated and maintained satisfactorily. However, if further information is required, the **Valor AdviceLine** will be pleased to help.

**Please telephone 0345 626341** (Local call rates apply).

**This guide to be left with the owner**

# OWNER'S GUIDE

## Safety First.

Valor fires are CE Approved and designed to meet the appropriate British Standards and Safety Marks.



## Quality and Excellence at the heart of every Valor fire.

All Valor fires are manufactured to the highest standards of quality and excellence and are manufactured under a BS EN ISO 9001 quality system accepted by the British Standards Institute.



## The Highest Standards

Valor is a member of the Society of British Gas Industries which works to ensure high standards of safety, quality and performance.



## Careful Installation

Valor is a CORGI registered company. All our gas fires must be installed by a competent CORGI Registered Installer in accordance with our Installer Guide and should not be fitted directly on to a carpet or floor of combustible material.



Valor Heating, Erdington, Birmingham B24 9QP

[www.valor.co.uk](http://www.valor.co.uk)

Because our policy is one of constant development and improvement, details may vary slightly from those given in this publication

# OWNER'S GUIDE

## LIST OF CONTENTS

<b>SAFETY</b> .....	<b>4</b>
<b>DIMENSIONS &amp; GAS CONSUMPTION</b> .....	<b>6</b>
Gas Consumption .....	6
<b>OPERATING YOUR FIRE</b> .....	<b>7</b>
Model 5400 Ultimate .....	7
Model 5401 Colourway & 5402 Homestyle .....	8
<b>CLEANING YOUR FIRE</b> .....	<b>9</b>
Metal parts .....	9
To clean the inside of the window .....	9
To Clean the Fuel Bed or Rear Ceramic Wall .....	10
<b>SERVICING &amp; MAINTENANCE</b> .....	<b>11</b>
Battery Replacement – Colourway & Homestyle Only .....	11
Fitting Tile sets – Model 5402 Homestyle Only .....	11
Customer Replaceable Spare parts .....	12

## CUSTOMER CARE

*Thank you for choosing Valor.*

All Valor gas fires are designed to meet the most stringent quality, performance and safety requirements to provide our customers with many years' trouble-free service.

Your owner guide aims to improve your understanding and appreciation of your Valor gas fire by providing simple and informative instructions to ensure that you benefit from the excellent performance and features it has to offer.

If you require further assistance or any advice about gas in general, the **Valor AdviceLine** will be pleased to help.

Please telephone **0345-626 341** (local call rates apply in the United Kingdom).

# OWNER'S GUIDE

## SAFETY

### IF YOU SMELL GAS

**DON'T SMOKE**

**EXTINGUISH ALL NAKED FLAMES**

**DON'T TURN ELECTRICAL SWITCHES ON OR OFF**

**TURN OFF THE GAS SUPPLY AT THE METER**

**OPEN DOORS AND WINDOWS TO GET RID OF THE GAS**

**IMMEDIATELY CALL THE GAS EMERGENCY SERVICE – SEE YOUR LOCAL TELEPHONE DIRECTORY**

### **DO**

- ✓ Have the fire installed by a competent person. In the United Kingdom, installation must be in accordance with the latest edition of the Gas Safety (installation & use) Regulations. In the Republic of Ireland, installation must be in accordance with all national and local regulations in force.
- ✓ Have the fire installed in accordance with the installation instructions
- ✓ Provide a minimum clearance of 780mm from the top surface of the hearth to any shelf made of wood or other combustible material where the shelf is not more than 150mm deep. For a shelf deeper than 150mm, add 12.5mm to the clearance for every 25mm of additional shelf depth.
- ✓ Provide a minimum clearance of 51mm each side of the fire for servicing access.
- ✓ Provide a suitable guard which complies with BS 6539 or 6778 for the protection of young children, the elderly and the infirm. Such a guard is also recommended for the protection of pet animals. *Although this fire conforms to all the applicable standards, it is a heating appliance and certain parts of its surface will become hot.*
- ✓ Wait three minutes before attempting to relight if the fire is switched off or the flames are extinguished for any reason. *Your fire is fitted with a safety device which will automatically shut off the gas supply to the fire if, for any reason, the flames go out.*
- ✓ Get advice about the suitability of any wall covering near your fire. Soft wall coverings (e.g. embossed vinyl, etc.) which have a raised pattern, are easily affected by heat. They may, therefore, scorch or become discoloured when close to a heating appliance. Please bear this in mind whenever you are considering redecorating.
- ✓ Keep the flue terminal on the outside wall free from all obstructions and blockages.

# OWNER'S GUIDE

## DON'T

- ✗ Hang clothing, towels or any other fabrics over the fire.
- ✗ Use the fire without the glass window panel in position or with damaged glass.
- ✗ Add any loose coals on to the ceramic fuel piece supplied with the fire. This could cause a safety hazard.
- ✗ Use the fire without the ceramic fuel bed and rear wall correctly in position or if they are damaged.
- ✗ Put paper or any other material on the fire.
- ✗ Place any carpet, rug or other soft surface material under or within 300mm forward of the appliance over its full width side-to-side. (Although this fire does not have to be on a non-combustible hearth, such soft materials could interfere with the air flow into and through the bottom of the heater)
- ✗ Attempt to clean or service the fire until it has been switched off and allowed to cool completely.

# OWNER'S GUIDE

## DIMENSIONS & GAS CONSUMPTION

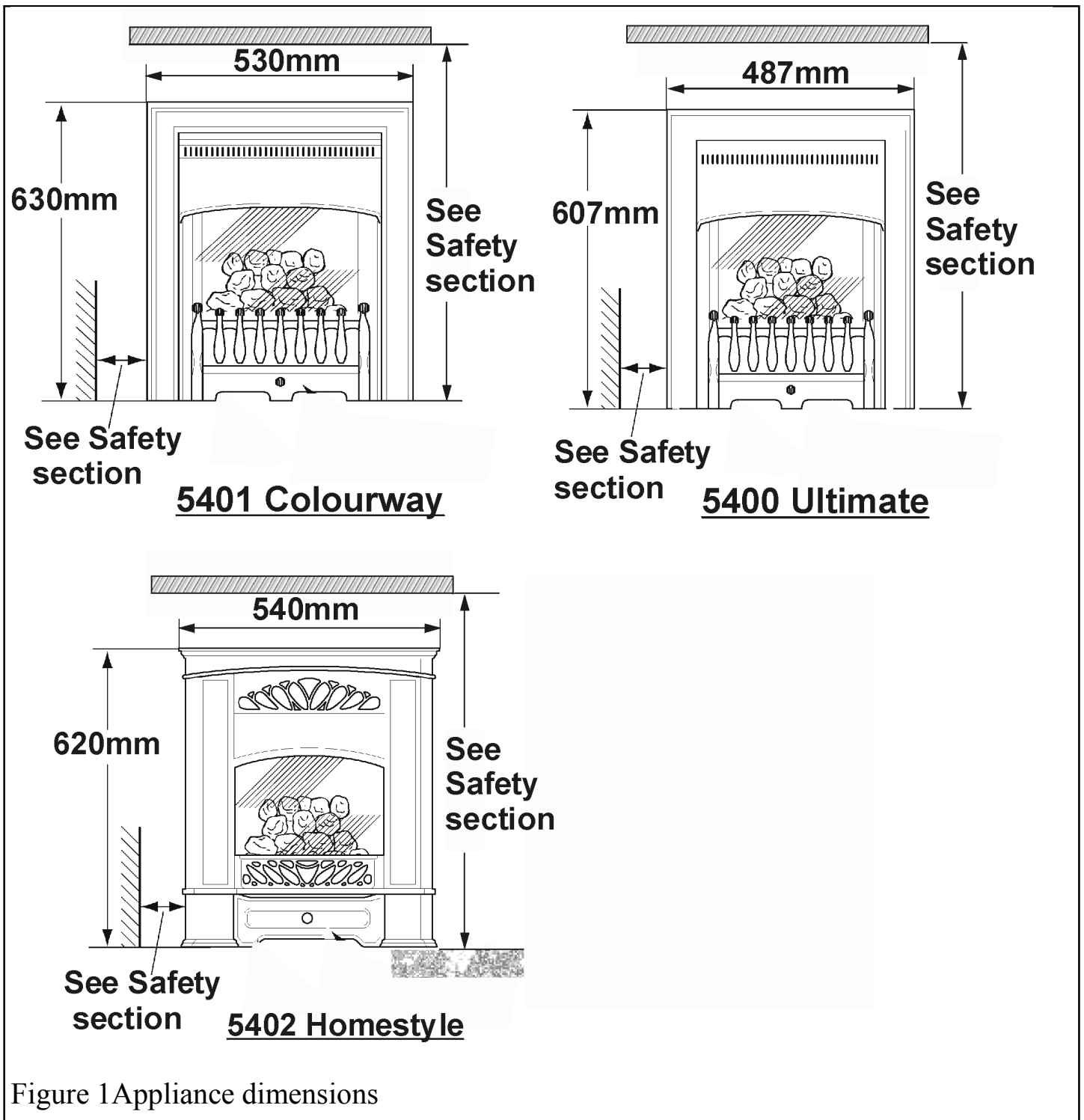


Figure 1 Appliance dimensions

### Gas Consumption

This appliance has a maximum gas at input its highest setting of 3.65kW (Gross)  
The maximum heat output is 2.7kW.

# OWNER'S GUIDE

## OPERATING YOUR FIRE

The pilot may be left alight. It is advisable, however, that the pilot is turned off if the premises are to be left unoccupied for a lengthy period.

For your safety the fire is fitted with a flame supervision device which will shut off the gas supply if for any reason the pilot goes out. This device incorporates a fixed probe which senses the heat from the pilot flame. If the probe is cool the device will prevent any gas flow unless the pilot lighting knob is held in. This device also stops the fire being turned back on until it is safe after it has been turned off.

If, for any reason, the fire goes out or if the fire is turned off, always **wait at least three minutes before attempting to relight**. If the device starts to shut off the gas frequently, get expert advice.

### Model 5400 Ultimate

The controls are shown in figure 2.

#### To light the pilot

- Push in the right control knob (the pilot lighting knob) and, while keeping it depressed, turn anticlockwise through the ignition position marked ☆ and up to the pilot position marked ●. The spark should light the pilot. The pilot flame can be seen by looking through the gap near the left side of the coal front (See figure 4).

- When the pilot has lit, keep the right hand control knob depressed for a few seconds to prevent the flame supervision device from shutting off the gas supply while its probe warms up, as explained above, then release it. If the pilot does not remain alight turn the knob back to the off position marked ●. Wait a few seconds and repeat the lighting sequence.

#### To Light the Main Burner

- Partially depress the right control knob and turn to the main burner position marked ◁. The main burner should now light at its low position.

- The left-hand knob is for burner flame adjustment. Turning it anticlockwise should gradually increase the flame height and heat output. Turning clockwise reduces the flame height and heat output.

- The burner flame control does not have to be re-set every time the fire is lit. Once set, it can be left at that position allowing you to use the right hand control only to ignite the burner at the set flame height.

#### To Turn Off the Main Burner Only

- Turn the right hand control knob to the pilot position marked ●.

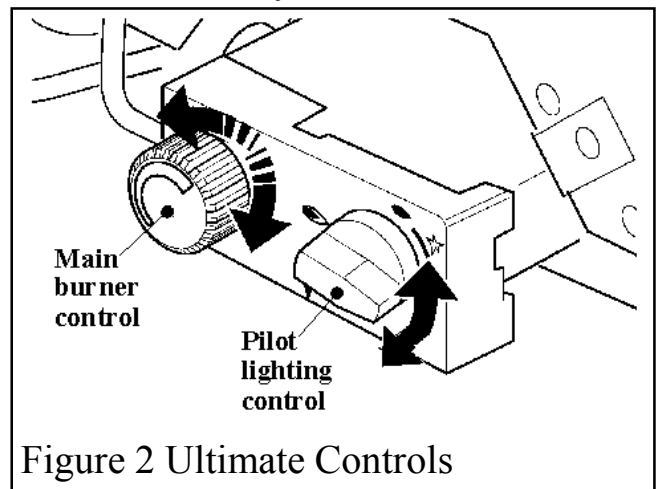


Figure 2 Ultimate Controls

# OWNER'S GUIDE

## To Turn Off the Main Burner and Pilot

- Turn the right hand control knob to the pilot position marked ● . Push the knob in at this position and turn to the off position marked ● .

## Model 5401 Colourway & 5402 Homestyle

The controls are shown in figure 3.

### To light the pilot

- Push in the right control knob (the pilot lighting knob) and, while keeping it depressed, turn anticlockwise through the ignition position marked ☆ and up to the pilot position marked ● . The spark should light the pilot. The pilot flame can be seen by looking through the gap near the left side of the coal front (See figure 4).
- When the pilot has lit, keep the right hand control knob depressed for a few seconds to prevent the flame supervision device from shutting off the gas supply while its probe warms up, as explained above, then release it. If the pilot does not remain alight turn the knob back to the off position marked ● . Wait a few seconds and repeat the lighting sequence.

### To Light the Main Burner

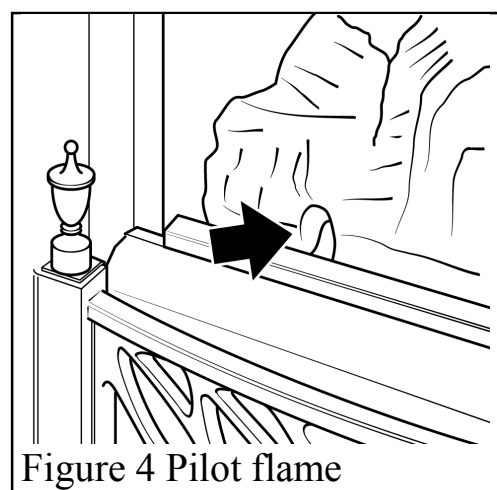
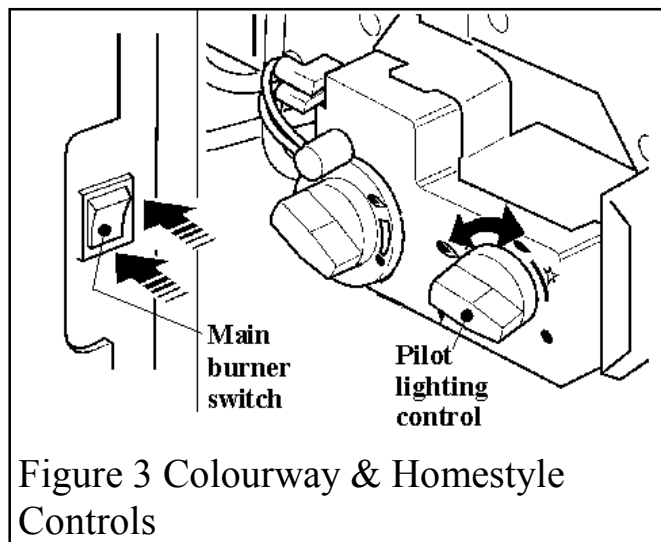
- Partially depress the right control knob and turn to the main burner position marked ◁ .
- The main burner flames are controlled by using the rocker switch at the right side of the fire case. Operating the rocker switch automatically causes the knob at the left side of the pilot control knob to rotate. Pressing in the top half of the switch turns the main burner on. Keeping the top half pressed gradually increases the flame height and heat output. Pressing the bottom half reduces the flame height and heat output and finally turns the main burner off. In the unlikely event of failure of the rocker switch, the left side knob can be turned manually.

### To Turn Off the Main Burner Only

- Press in and hold the bottom half of the rocker switch until the main burner is extinguished. Alternatively, the main burner can be extinguished by turning the right hand control knob to the pilot position marked ● .

### To Turn Off the Main Burner and Pilot

- Turn the right hand control knob to the pilot position marked ● . Push the knob in at this position and turn to the off position marked ● .





# OWNER'S GUIDE

## CLEANING YOUR FIRE

Turn the fire off and allow it to cool before attempting any cleaning. Note that the fire will retain heat for some time after it has been turned off.

### Metal parts

Clean the metal parts with a slightly damp cloth and then dry. **Do not use abrasive cleaners, they could scratch the surface.**

### To clean the inside of the window.

Before the window can be detached, the front units will have to be removed as follows:

#### Models 5400 Ultimate & 5401 Colourway

See figure 5.

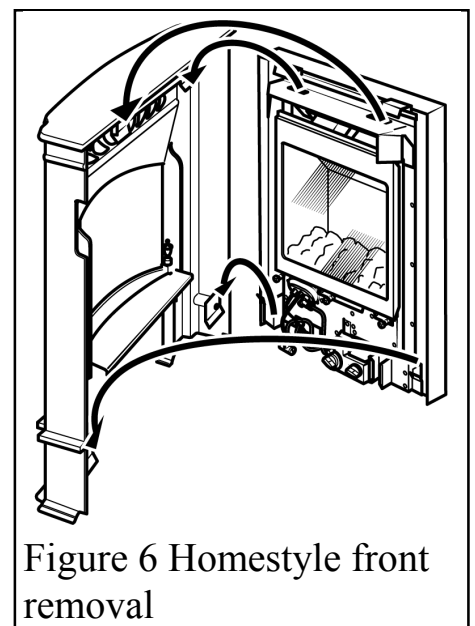
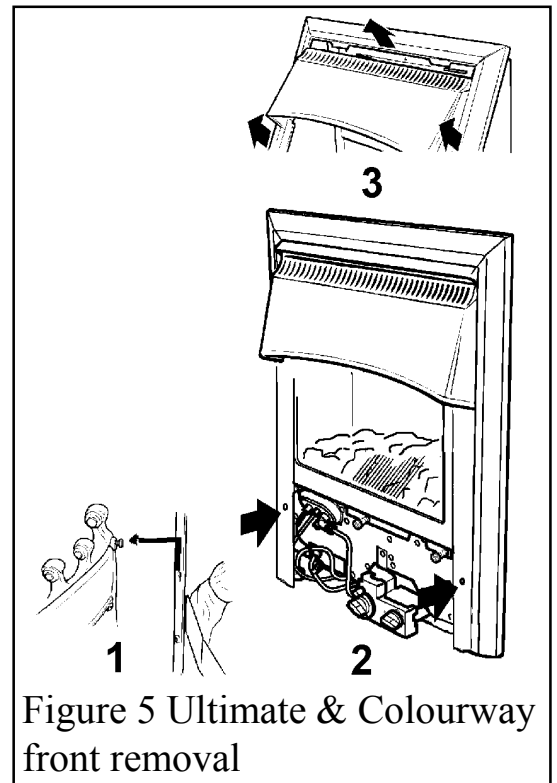
- Remove the bottom front casting.
- Lift the fire front casting clear. (Where applicable by lifting the fire front casting up and forward to release the locating screw heads at the back of the casting from the keyholes in the surround sides.)
- Remove the two screws securing the bottom of the front surround to the sides of the convection box
- Raise the front surround to allow the retaining lugs at the top to clear the slots in the convection box hood and then lift clear.

#### Model 5402 Homestyle

See figure 6.

**The Homestyle front casting weighs around 20kg (44lbs). To avoid any risk of injury, if you have any doubt about your ability to safely lift this front, ask someone to assist you.**

- Remove the bottom front casting by lifting slightly to clear the locations at the top corners of the bottom casting.
- Raise the front casting unit so that the bottom location brackets and the top location plate are released from the locations in the main fire case then lift clear.



# OWNER'S GUIDE

## Window removal & Cleaning

- Unscrew and remove the three spring loaded window fixing screws and washers from the base of the window frame. See figure 7. Keep the screws and washers in a safe place.
- Gently swing the base of the window frame forward while lifting the frame upwards. The window should lift clear of the fire. Put the window in a safe place away from your immediate work area.
- Any stains on the glass can be removed with a non-abrasive cleaner such as a ceramic hob cleaner. **Never use abrasive cleaners.** Clean the window carefully in accordance with the instructions supplied with the cleaner.
- Replace the window making sure that the seal around the frame is not damaged or misplaced. Locate the channel at the top of the window over the top of the firebox opening.
- Refit the three spring-loaded screws and washers. Tighten sufficiently to seal to the firebox.
- Replace the case front.

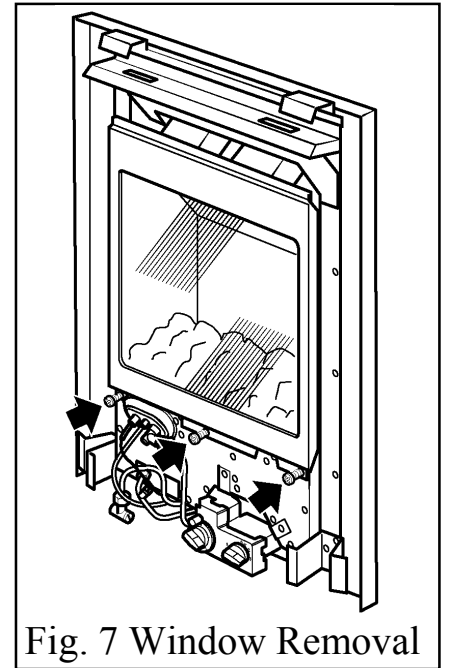


Fig. 7 Window Removal

## To Clean the Fuel Bed or Rear Ceramic Wall

If, for any reason the fuel bed or rear wall require cleaning proceed as follows:-

- Remove the front case and window as described above.
- Carefully lift the fuel bed out of the firebox and place it on a piece of cardboard or similar.
- If necessary remove the rear ceramic wall from the bottom channel by pushing the bottom edge of the wall upwards and very slightly pulling the top forward.
- Carefully vacuum the upper and lower surfaces of the fuel bed (and wall if necessary) using a soft brush attachment.
- When refitting the fuel bed, make sure that the front of the coal locates behind the two brackets which are behind the bottom front panel of the firebox. See figure 8.

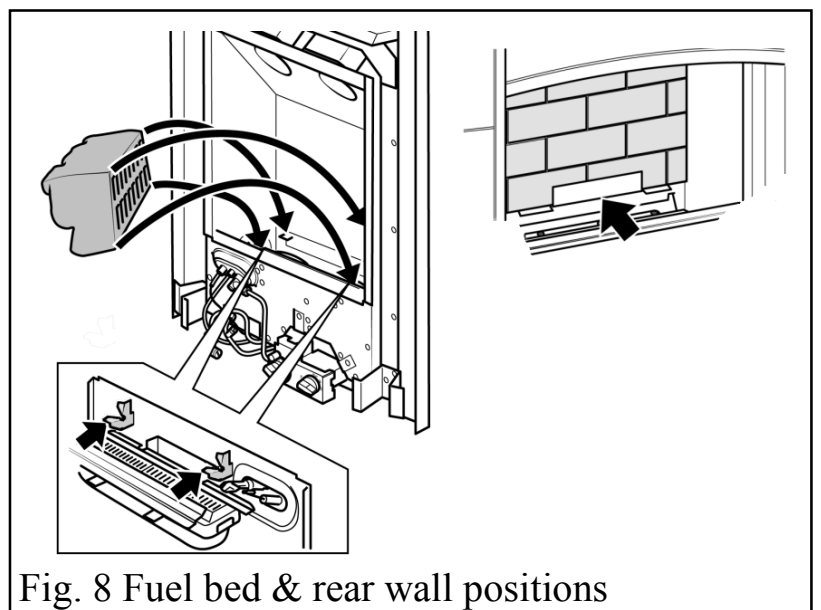


Fig. 8 Fuel bed & rear wall positions

## SERVICING & MAINTENANCE

- In order to achieve and maintain high levels of personal safety and performance efficiency it is essential that the flue terminal outside the building is kept clear of any form of obstruction.
- We recommend that all gas appliances and their flues, are checked annually by a competent person (in the UK a CORGI registered installer).
- In the United Kingdom it is the law that a landlord must have any gas appliance, flue and pipework which is situated in a tenant's premises checked for safety at least every twelve months.

### Battery Replacement – Colourway & Homestyle Only

These appliances use four 1.5V AA batteries.

- To change the batteries remove the bottom front casting. The battery case is at the right side. Lift the plastic battery holder out of the metal case and detach the batteries. See figure 9.

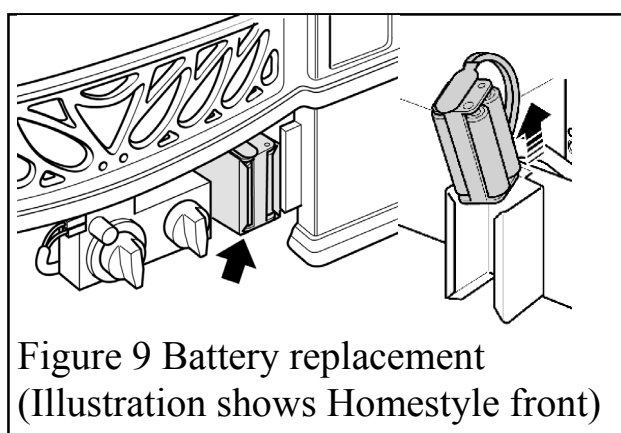


Figure 9 Battery replacement (Illustration shows Homestyle front)

### Fitting Tile sets – Model 5402 Homestyle Only

A wide range of alternative tile designs are available from your supplier.

To change the tiles:-

- The top casting will have to be removed to insert the tile set. Some appliances have the top casting secured to the sides by screws. Other appliances have the top secured by spring clips. If the top is screwed to the sides, unscrew the two screws at the top of the side castings until they are loose enough to allow the top to be lifted off. There is no screw thread in the top casting, only in the side castings (See figure 10). If no screws are visible, the top can be removed by pulling it firmly upwards to release the spring clips (See figure 10).
- Remove the complete tile cassette by sliding the cassette channel up and out of the front casting. See figure 10.

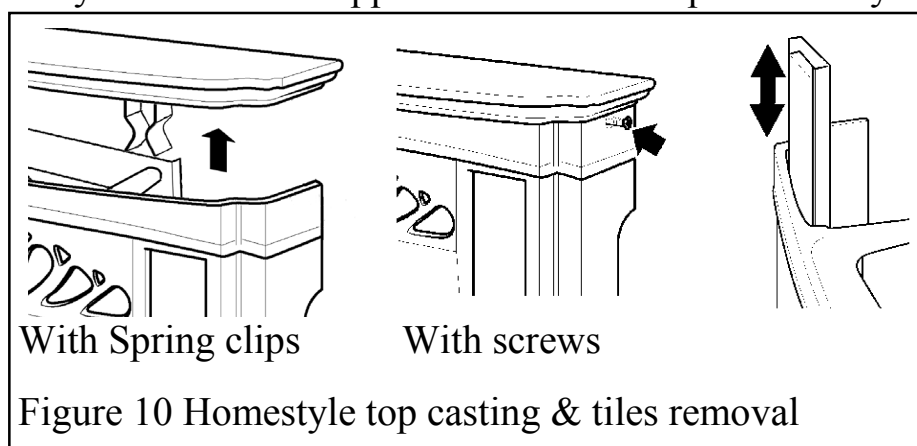


Figure 10 Homestyle top casting & tiles removal

Alternatively, remove the tiles individually by sliding them up out of the cassette channel. This second method will have to be employed if a shelf above the fire is too low to enable the channel to be slid clear.

# OWNER'S GUIDE

- Fit the new tile cassettes by sliding them in the grooves at the back of the front casting and in front of the spring clips. Alternatively, if any shelf above the fire is too low to fit the full cassette, remove the new tiles from the cassette and individually slide them into the old cassette channel.
- Replace the top casting and secure by tightening the two screws.

## Customer Replaceable Spare parts

The following spare parts can be fitted by the user. It is essential that only correct parts approved for use with this appliance are fitted. When fitting these spares please follow the instructions.

<b>Description</b>	<b>Part no.</b>
Ceramic rear wall	571789
Ceramic fuel bed	571839
Window unit	571849
Spring loaded thumb screw (for window)	571899

To help us quickly help you, please try to have the following information available before you contact us:

- Your Post Code.
- Type of fire.
- Model/Name.
- Serial Number - This will be found on a label on a label tied below the firebox and visible when the bottom front cover is removed.
- The fault, problem or request.

**For general advice about gas and your gas fire:**

**VALOR ADVICELINE 0345 626341.**

**To report faults or arrange for your fire to be serviced:**

**VALOR SERVICE 0121 386 6203.**

**To order spares or for sales information:**

**VALOR SALES 0121 386 6260.**

**IN THE REPUBLIC OF IRELAND CALL 353 183 75114**