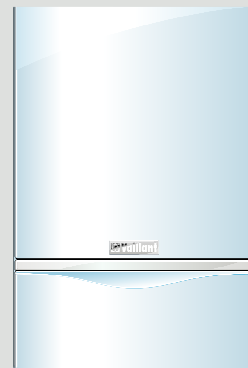


Spare parts catalogue

0020010870.05 GB 10/2008



Wall-hung boilers ecoTEC plus 824, 831, 837, 612, 615, 624, 630, 637

VUW 246/3-5
VUW 246/3-5 R1
VUW 316/3-5
VUW 316/3-5 R1
VU 126/3-5
VU 126/3-5 R1
VU 156/3-5
VU 156/3-5 R1
VU 186/3-5
VU 186/3-5 R1
VU 246/3-5
VU 246/3-5 R1
VU 306/3-5
VU 306/3-5 R1
VU 376/3-5 R1



Content

General view of sheet	ecoTEC plus 824 VUW 246/3-5 ecoTEC plus 831 VUW 316/3-5	Page 3
04 Burner		Page 4
06 Heat exchanger		Page 6
07 Casing parts		Page 8
08 Connection parts (Hydroblock)		Page 10
08a Connection parts		Page 12
08b Connection parts (Acc.)		Page 14
12 Control box		Page 16
General view of sheet	ecoTEC plus 824 VUW 246/3-5 R1 ecoTEC plus 831 VUW 316/3-5 R1 ecoTEC plus 837 VUW 376/3-5 R1	Page 19
04 Burner		Page 20
06 Heat exchanger		Page 22
07 Casing parts		Page 24
08 Connection parts (Hydroblock)		Page 26
08a Connection parts		Page 30
08b Connection parts (Acc.)		Page 32
12 Control box (until 08/07)		Page 34
12a Control panel (from 09/07)		Page 36

In order to maintain the safe and efficient operation of this appliance, only genuine Vaillant spare parts must be used.

Subject to alteration !

Attention: Please take the gross price from the valid price list !

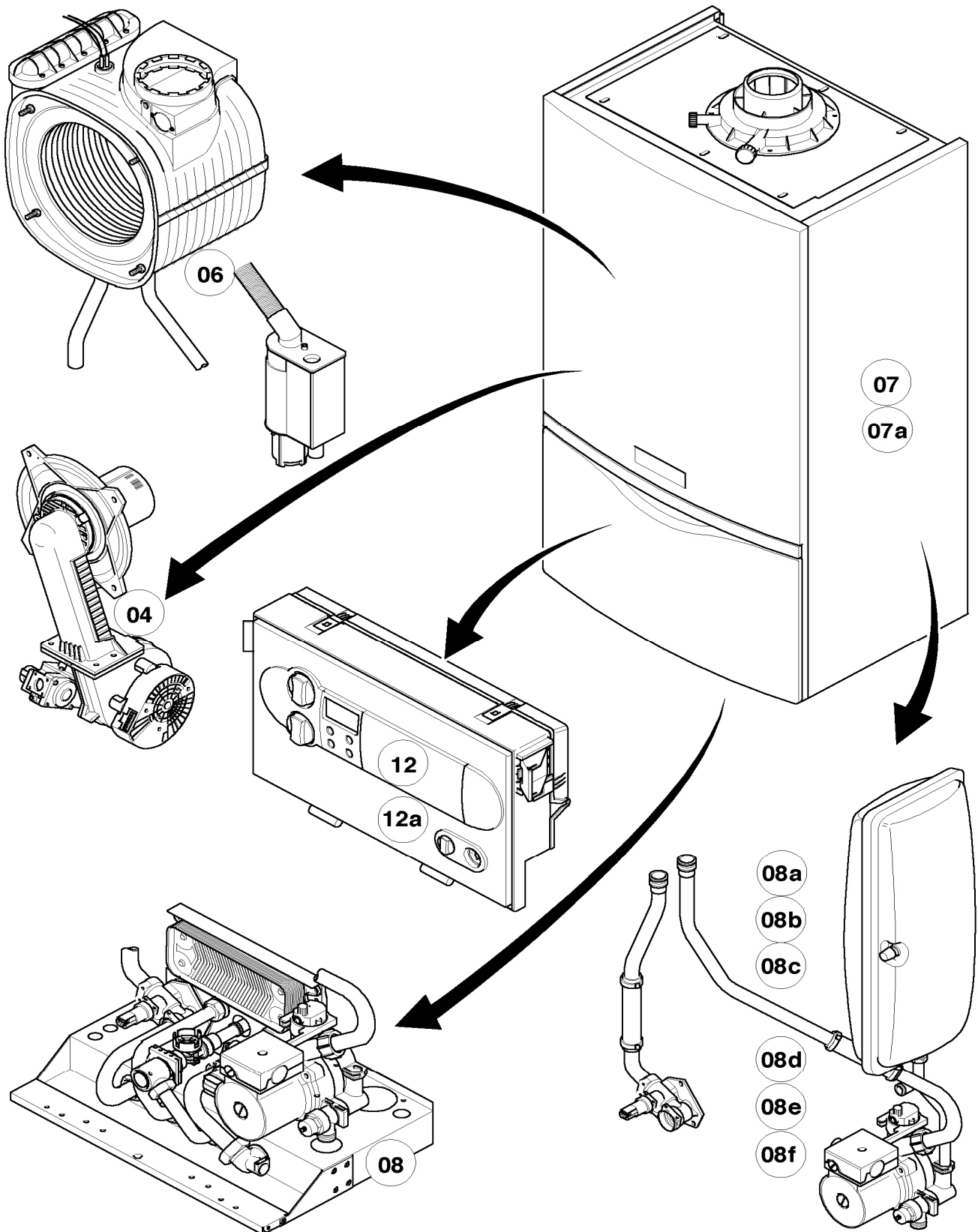
Content

General view of sheet	ecoTEC plus 612 VU 126/3-5 ecoTEC plus 615 VU 156/3-5 ecoTEC plus 618 VU 186/3-5 ecoTEC plus 624 VU 246/3-5 ecoTEC plus 630 VU 306/3-5	Page 39
04 Burner		Page 40
06 Heat exchanger		Page 42
07 Casing parts		Page 44
08 Connection parts (Hydroblock)		Page 46
08a Connection parts		Page 48
08b Connection parts (Acc.)		Page 50
12 Control box		Page 52
General view of sheet	ecoTEC plus 612 VU 126/3-5 R1 ecoTEC plus 615 VU 156/3-5 R1 ecoTEC plus 618 VU 186/3-5 R1 ecoTEC plus 624 VU 246/3-5 R1 ecoTEC plus 630 VU 306/3-5 R1 ecoTEC plus 637 VU 376/3-5 R1	Page 55
04 Burner		Page 56
06 Heat exchanger		Page 60
07 Casing parts		Page 62
08 Connection parts (Hydroblock)		Page 64
08a Connection parts		Page 66
08b Connection parts (Acc.)		Page 68
12 Control box (until 08/07)		Page 70
12a Control panel (from 09/07)		Page 72
Notes		Page 74

In order to maintain the safe and efficient operation of this appliance, only genuine Vaillant spare parts must be used.

General view of sheet

ecoTEC plus 824 VUW 246/3-5
ecoTEC plus 831 VUW 316/3-5



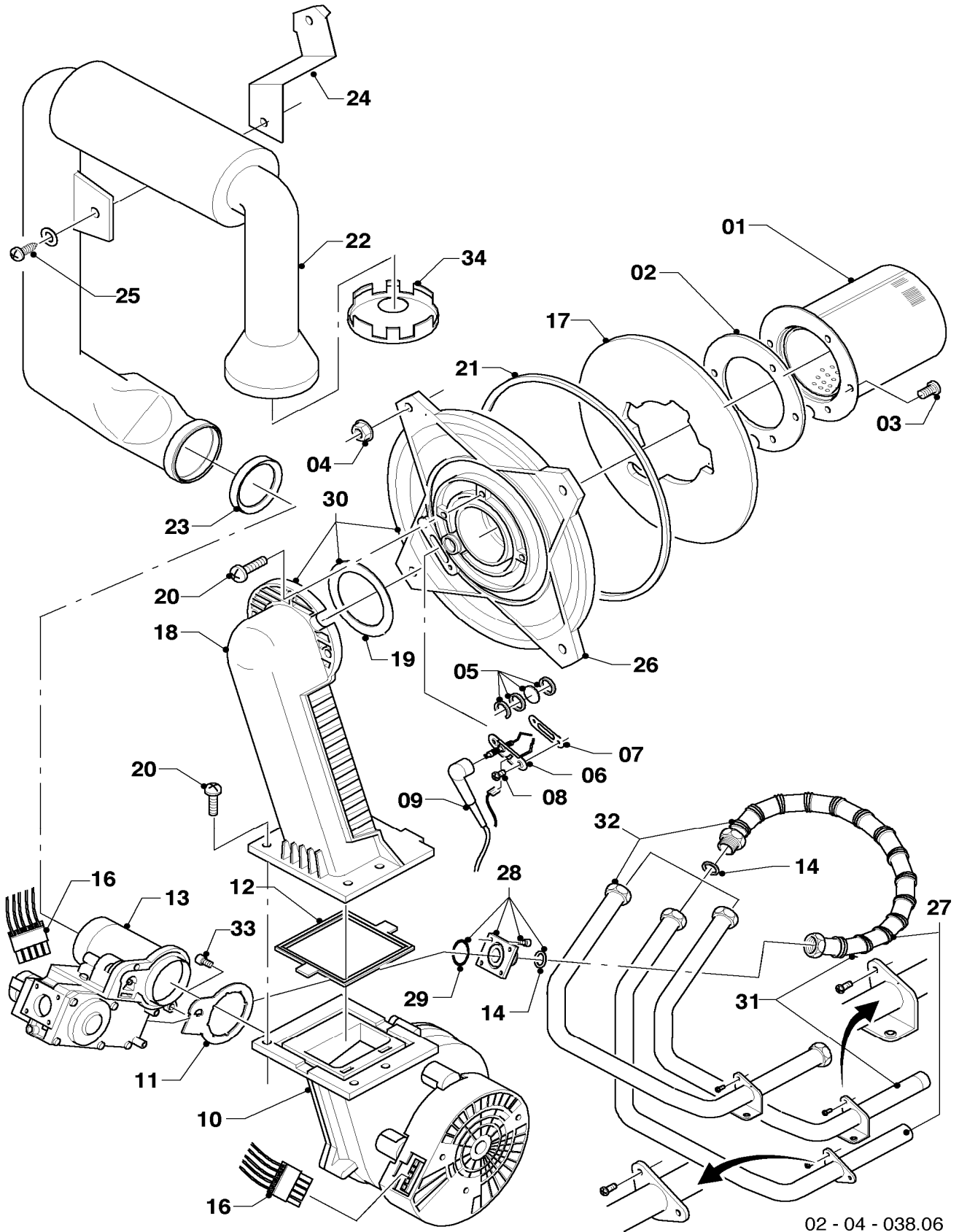
02 - 00 - 077.04

Subject to alteration !
Attention: Please take the gross price from the valid price list !

04 Burner

ecoTEC plus 824 VUW 246/3-5

ecoTEC plus 831 VUW 316/3-5



02 - 04 - 038.06

04 Burner

ecoTEC plus 824 VUW 246/3-5

ecoTEC plus 831 VUW 316/3-5

Pos.	Art.-No	Part	Type, note
		02-04-038	
00	0020010641	Conversion set	H -> P (not shown)
00	0020010642	Conversion set	P -> H (not shown)
01	049324	Burner	VUW 246/3-5, with parts 02, 03
01	049345	Burner	VUW 316/3-5, with parts 02, 03
02	981103	Sealing ring	
03	105900	Screw (PK10)	
04	0020026537	Nut M6 (PK5)	
05	161245	Inspection glass	
06	090709	Ignition/monitoring electrode	
07	980961	Gasket electrode	
08	118883	Flat head screw ISO 7045	
09	193590	Ignition cable	
10	193593	Fan	with parts 11, 12
11	981104	Gasket	
12	193594	Packing ring	
13	053470	Gas section	VUW 246/3-5, with parts 11, 14, 29
13	053471	Gas section	VUW 316/3-5, with parts 11, 14, 29
14	981142	Washer (PK10)	
16	193586	Harness	
17	193595	Insulation	with parts 02, 03
18	-	-	not available as spare part, see pos. 30
19	981107	Packing ring	
20	193597	Screw (PK10)	
21	0020038679	Sealing gasket	
22	193599	Air inlet duct	VUW 246/3-5, with part 23
22	103404	Air inlet duct	VUW 316/3-5, with part 23
23	981111	Packing ring	
24	103405	Support	
25	235756	Tapping screw (ST 4,8x19)	
26	-	-	not available as spare part, see pos. 30
27	180945	Gas pipe	with part 28
28	0020010868	Adaptor piece (gas valve)	
29	982319	O-ring	
30	0020010867	Flange (set)	with parts 02 - 05, 07, 08, 12, 14, 17 - 19, 20, 21, 26
31	-	-	not necessary
32	-	-	not necessary
33	509685	Screw (PK10)	
34	-	-	not necessary

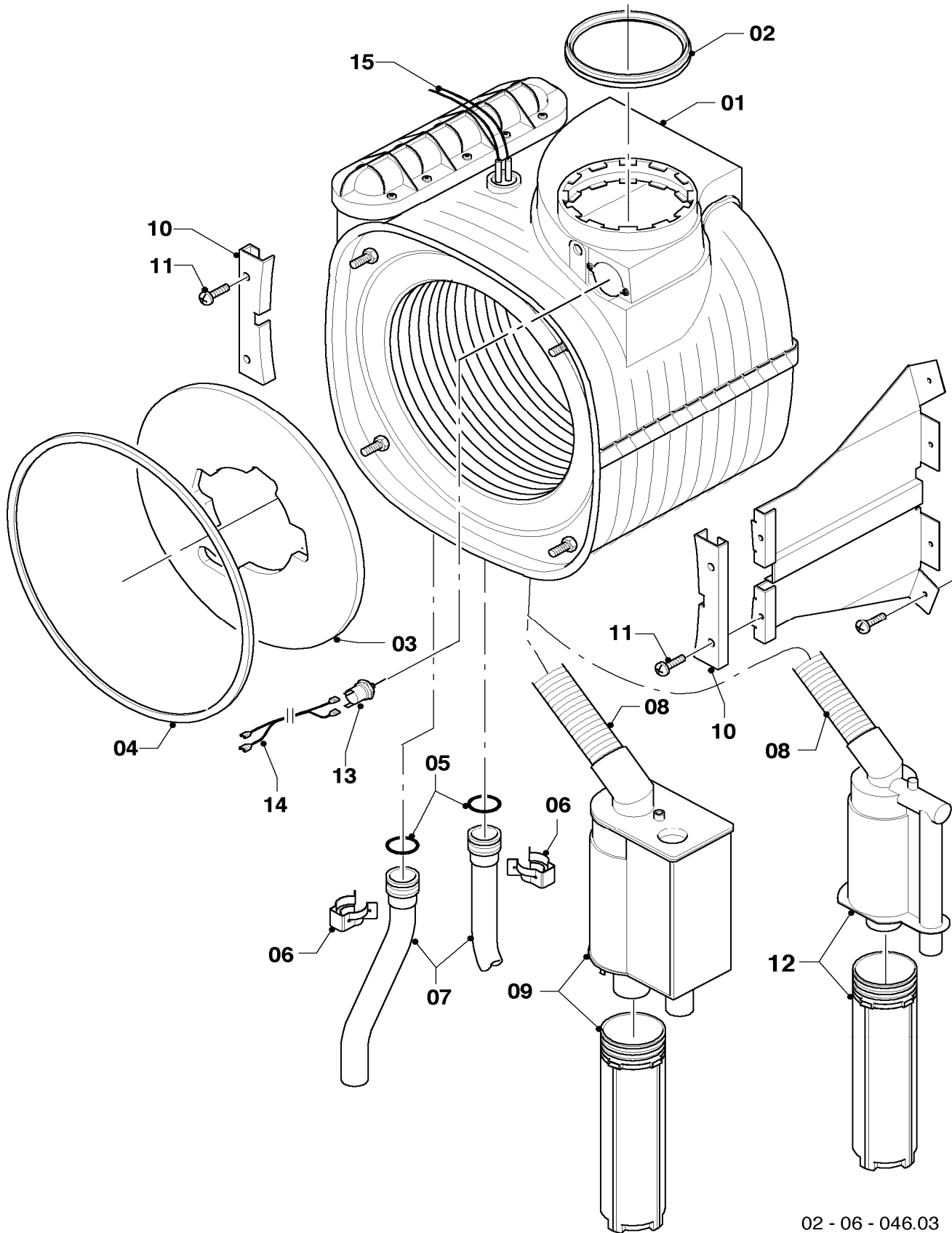
Subject to alteration !

Attention: Please take the gross price from the valid price list !

06 Heat exchanger

ecoTEC plus 824 VUW 246/3-5

ecoTEC plus 831 VUW 316/3-5



02 - 06 - 046.03

06 Heat exchanger

ecoTEC plus 824 VUW 246/3-5

ecoTEC plus 831 VUW 316/3-5

Pos.	Art.-No	Part	Type, note
		02-06-046	
01	103409	Heat exchanger	VUW 246/3-5, with parts 02, 03, 04, 05, 06
01	103411	Heat exchanger	VUW 316/3-5, with parts 02, 03, 04, 05, 06
01	210779	Insulation	for heat exchanger, not shown
02	981227	Gasket	
03	193595	Insulation	
04	0020038679	Sealing gasket	
05	103415	O-ring (PK10)	
06	103417	Clip (PK10)	
07	-	-	see main component 08a
08	-	-	not available as spare part, see pos. 09
09	180985	Siphonic condensate trap	with part 08
10	180989	Support (PK2)	with part 11
11	178968	Screw (PK10)	
12	-	-	not necessary
13	-	-	not necessary
14	-	-	not necessary
15	0020052332	Cable tree (harness)	

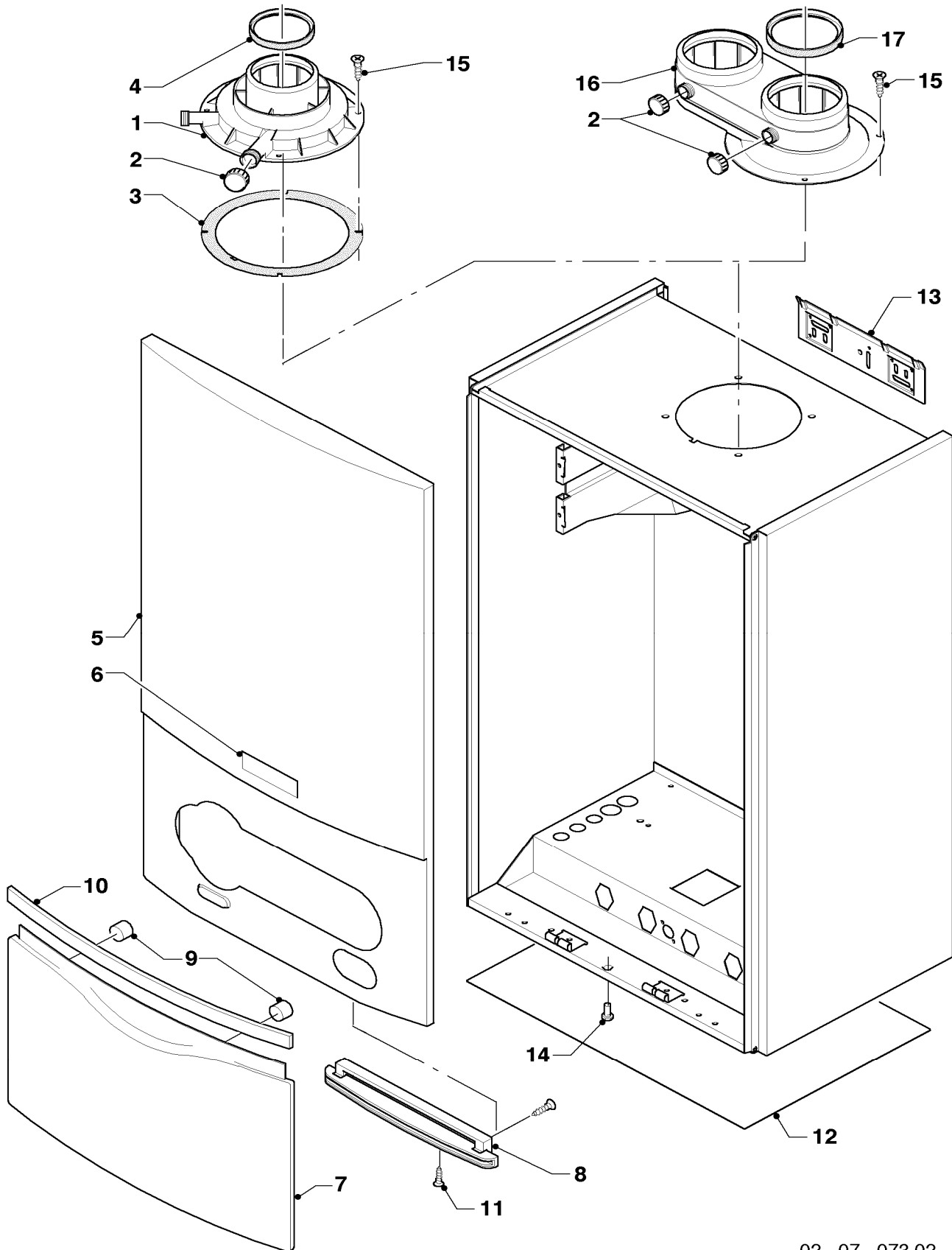
Subject to alteration !

Attention: Please take the gross price from the valid price list !

07 Casing parts

ecoTEC plus 824 VUW 246/3-5

ecoTEC plus 831 VUW 316/3-5



02 - 07 - 073.02

07 Casing parts

ecoTEC plus 824 VUW 246/3-5

ecoTEC plus 831 VUW 316/3-5

Pos.	Art.-No	Part	Type, note
		02-07-073	
01	180932	Flue adapter 60/100	with parts 02, 03, 04
02	147392	Cap (PK5)	
03	981232	Gasket	
04	981233	Packing ring	
05	180935	Covering	with parts 06, 07, 08, 09, 10, 11
06	118096	Badge	
07	180940	Cover	with parts 09, 10, 11
08	180944	Hinge	with part 11
09	180941	Magnet (PK2)	
10	180942	Handle (white)	
11	193538	Screw (PK10)	
12	180988	Cover	
13	180987	Support	
14	105839	Screw (PK10)	
15	500046	Screw	
16	-	-	not necessary
17	-	-	not necessary

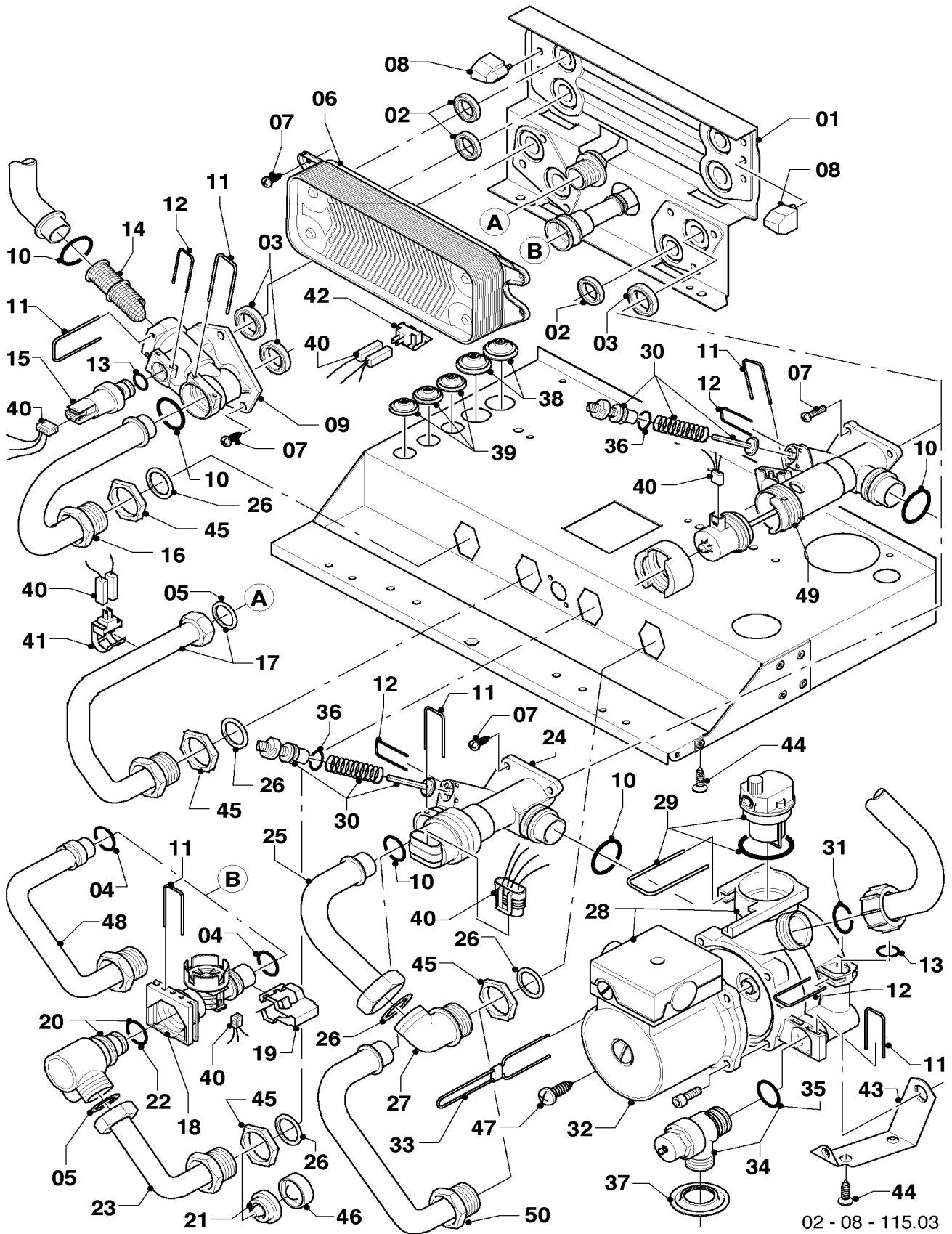
Subject to alteration !

Attention: Please take the gross price from the valid price list !

08 Connection parts (Hydroblock)

ecoTEC plus 824 VUW 246/3-5

ecoTEC plus 831 VUW 316/3-5



02 - 08 - 115.03

08 Connection parts (Hydroblock)

ecoTEC plus 824 VUW 246/3-5

ecoTEC plus 831 VUW 316/3-5

Pos.	Art.-No	Part	Type, note
		02-08-115	
01	178965	Support	with parts 02, 03, 04, 05, 07, 08, 10, 19, 22, 26, 44
02	178969	Washer (PK10)	
03	193535	Washer (PK10)	
04	178991	O-ring (PK10)	
05	981142	Washer (PK10)	
06	178973	Heat exchanger dhw (20 plates)	with parts 02, 07
07	178967	Screw (PK10)	
08	193536	Guide (PK2)	
09	179031	Connection piece	with parts 03, 07, 10, 11, 12, 13, 14
10	193537	O-ring (PK10)	
11	178992	Clip (PK10)	
12	154150	Clip	
13	178993	O-ring (PK10)	
14	179030	Filter	with parts 10, 11
15	0020059717	Sensor water pressure	with parts 12, 13
16	179033	Pipe	with parts 10, 26
17	179034	Pipe	with part 26
18	178988	Flow sensor	with parts 04, 11, 19, 22
19	178966	Clip	
20	179032	Connection piece	with parts 05, 11, 22
21	012975	Limiter 8.1l/min	VUW 246/3-5
21	0020018069	Limiter 10.4l/min	VUW 316/3-5
22	981163	O-ring (PK10)	
23	179037	Pipe	with parts 05, 21, 26, 46
24	178978	Diverter valve	with parts 02, 03, 07, 10, 11
25	179036	Pipe	with parts 10, 26
26	981140	Washer (PK10)	
27	179035	Connection piece	with part 26
28	178983	Pump	with parts 02, 03, 10, 11, 13, 29, 31, 34, 47
29	104521	Automatic air vent	
30	178980	Bypass	with part 12
31	193539	O-ring (PK10)	
32	-	-	not available as spare part, see pos. 28
33	178981	Clip	
34	178985	Pressure relief valve (3 bar)	with part 11
35	-	-	not available as spare part, see pos. 34
36	981165	O-ring (PK10)	
37	980765	Grommet	
38	509120	Packing ring (PK10)	
39	509121	Packing ring (PK10)	
40	193587	Harness	
41	103429	NTC sensor (DHW outlet pipe)	flow
42	103430	NTC sensor (DHW heat exchanger)	heat exchanger
43	178984	Support	
44	235715	Tapping screw ISO 7049	
45	193598	Nut (PK4)	
46	074514	Filter	
47	235756	Tapping screw (ST 4,8x19)	
48	-	-	not necessary
49	-	-	not necessary
50	-	-	not necessary

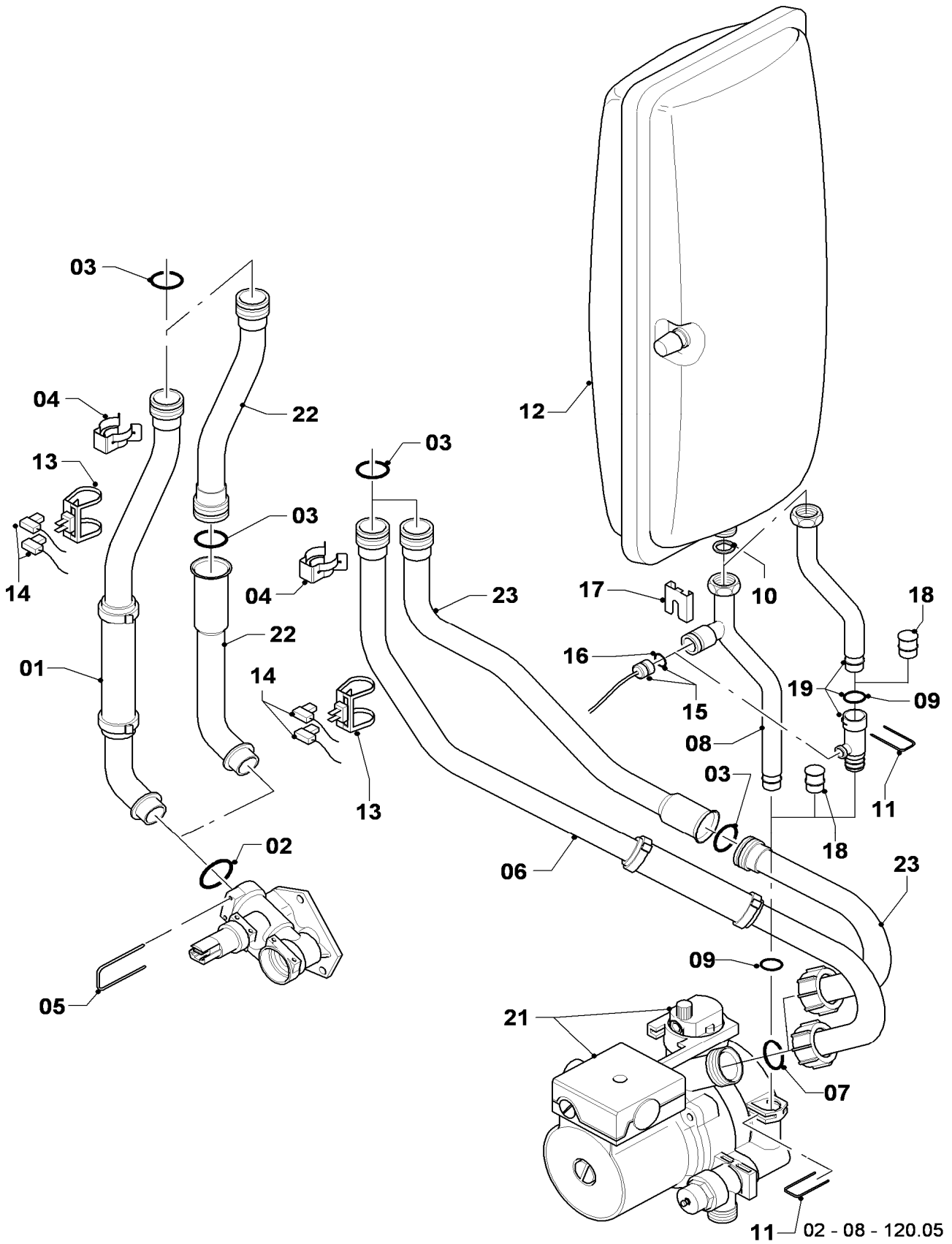
Subject to alteration !

Attention: Please take the gross price from the valid price list !

08a Connection parts

ecoTEC plus 824 VUW 246/3-5

ecoTEC plus 831 VUW 316/3-5



08a Connection parts

ecoTEC plus 824 VUW 246/3-5

ecoTEC plus 831 VUW 316/3-5

Pos.	Art.-No	Part	Type, note
		02-08-120	
01	-	-	180946 no longer available, see pict. no. 22
02	193537	O-ring (PK10)	
03	103415	O-ring (PK10)	
04	103417	Clip (PK10)	
05	178992	Clip (PK10)	
06	-	-	180948 no longer available, see pict. no. 23
07	193539	O-ring (PK10)	
08	-	-	no longer available, see pict. no. 19
09	178993	O-ring (PK10)	
10	981149	Washer (PK10)	
11	154150	Clip	
12	181051	Expansion vessel	10 Liter
13	193592	Sensor NTC (CH flow/CH return)	
14	193586	Harness	
15	180982	Pressure gauge	
16	981155	O-ring (PK10)	
17	085751	Pressure gauge clip	
18	-	-	not necessary
19	0020025045	Connection tube	with parts 10, 11, 16, 17
20	-	-	not necessary
21	178983	Pump	
22	0020068956	Connection tube	with parts 02, 03
23	0020068958	Connection tube	with parts 02, 07

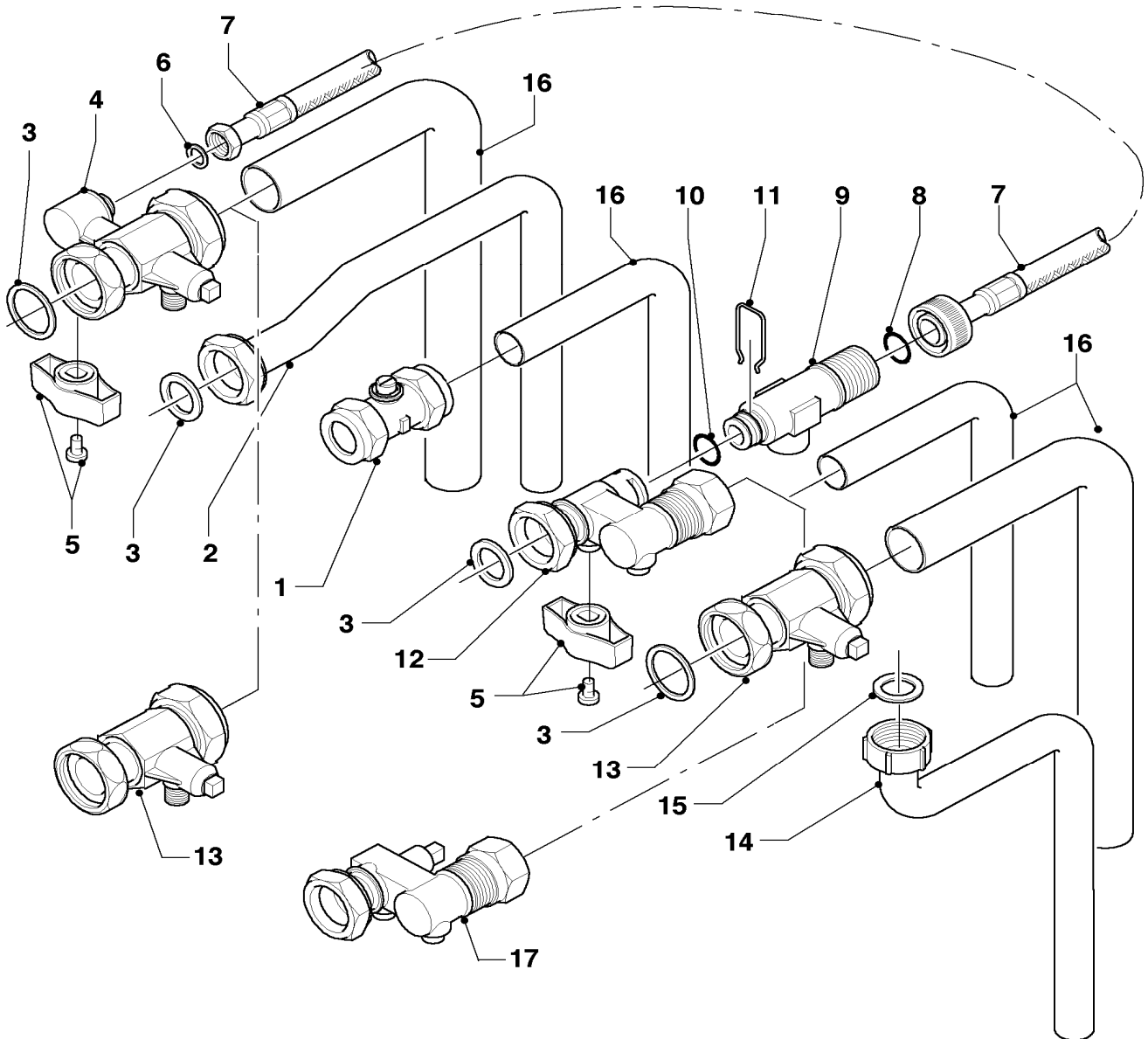
Subject to alteration !

Attention: Please take the gross price from the valid price list !

08b Connection parts (Acc.)

ecoTEC plus 824 VUW 246/3-5

ecoTEC plus 831 VUW 316/3-5



02 - 08 - 125.01

08b Connection parts (Acc.)

ecoTEC plus 824 VUW 246/3-5

ecoTEC plus 831 VUW 316/3-5

Pos.	Art.-No	Part	Type, note
		02-08-125	
01	082782	Gas shut-off valve	
02	0020010290	Pipe	with part 03
03	981140	Washer (PK10)	
04	0020010291	Service cock	with parts 03, 05, 06
05	0020010292	Handle (PK2)	
06	981146	Washer (PK10)	
07	0020010293	Flexible tube	with parts 06, 08
08	981165	O-ring (PK10)	
09	0020010294	Valve	with parts 08, 10, 11
10	981154	O-ring (PK10)	
11	154150	Clip	
12	0020010295	Valve	with parts 03, 05, 10, 11
13	0020010296	Service cock	with part 03
14	0020010297	Pipe	with part 15
15	0020010298	Washer (PK10)	
16	-	-	not available as spare part
17	-	-	not necessary

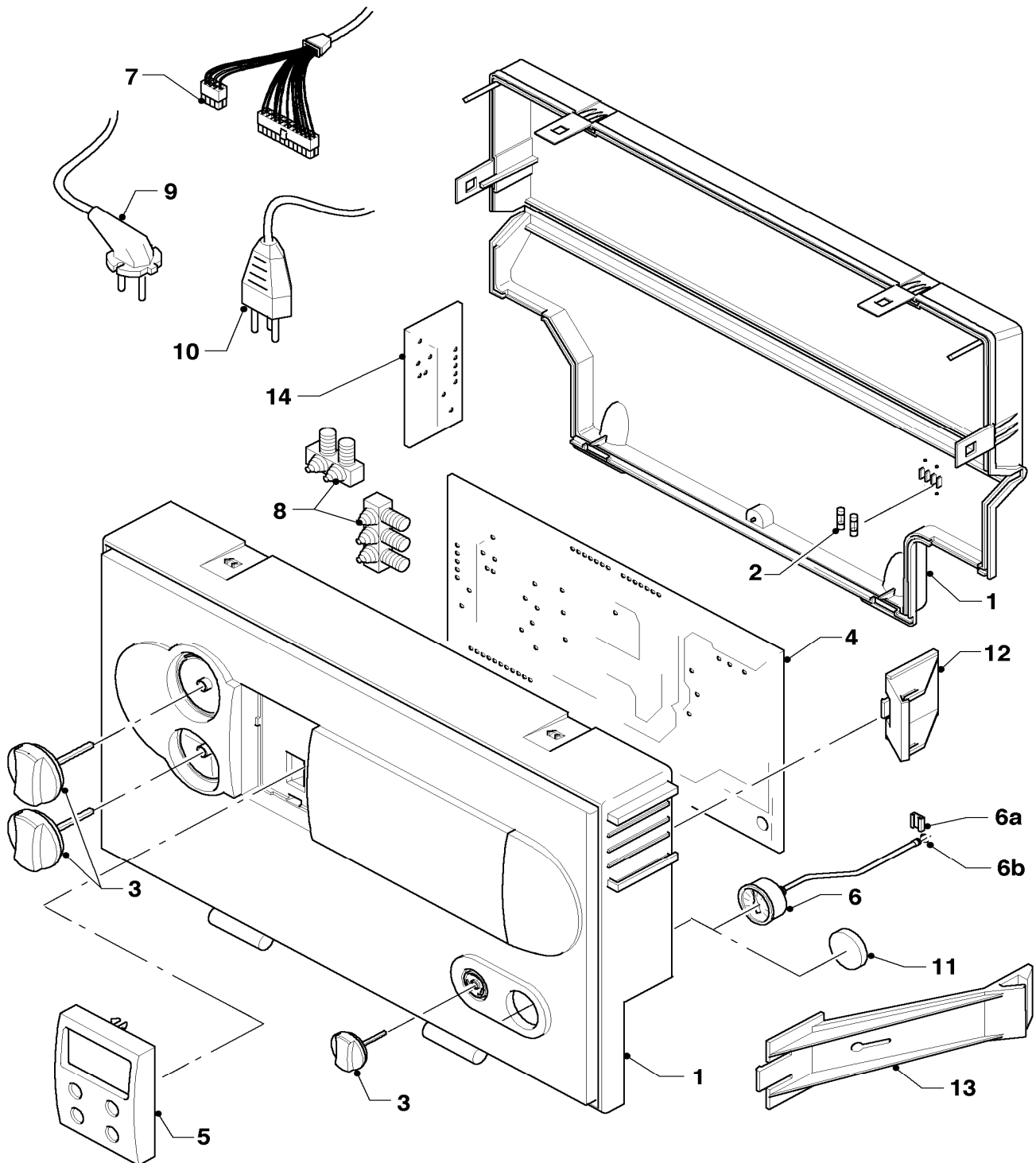
Subject to alteration !

Attention: Please take the gross price from the valid price list !

12 Control box

ecoTEC plus 824 VUW 246/3-5

ecoTEC plus 831 VUW 316/3-5



02 - 12 - 046.02

12 Control box

ecoTEC plus 824 VUW 246/3-5

ecoTEC plus 831 VUW 316/3-5

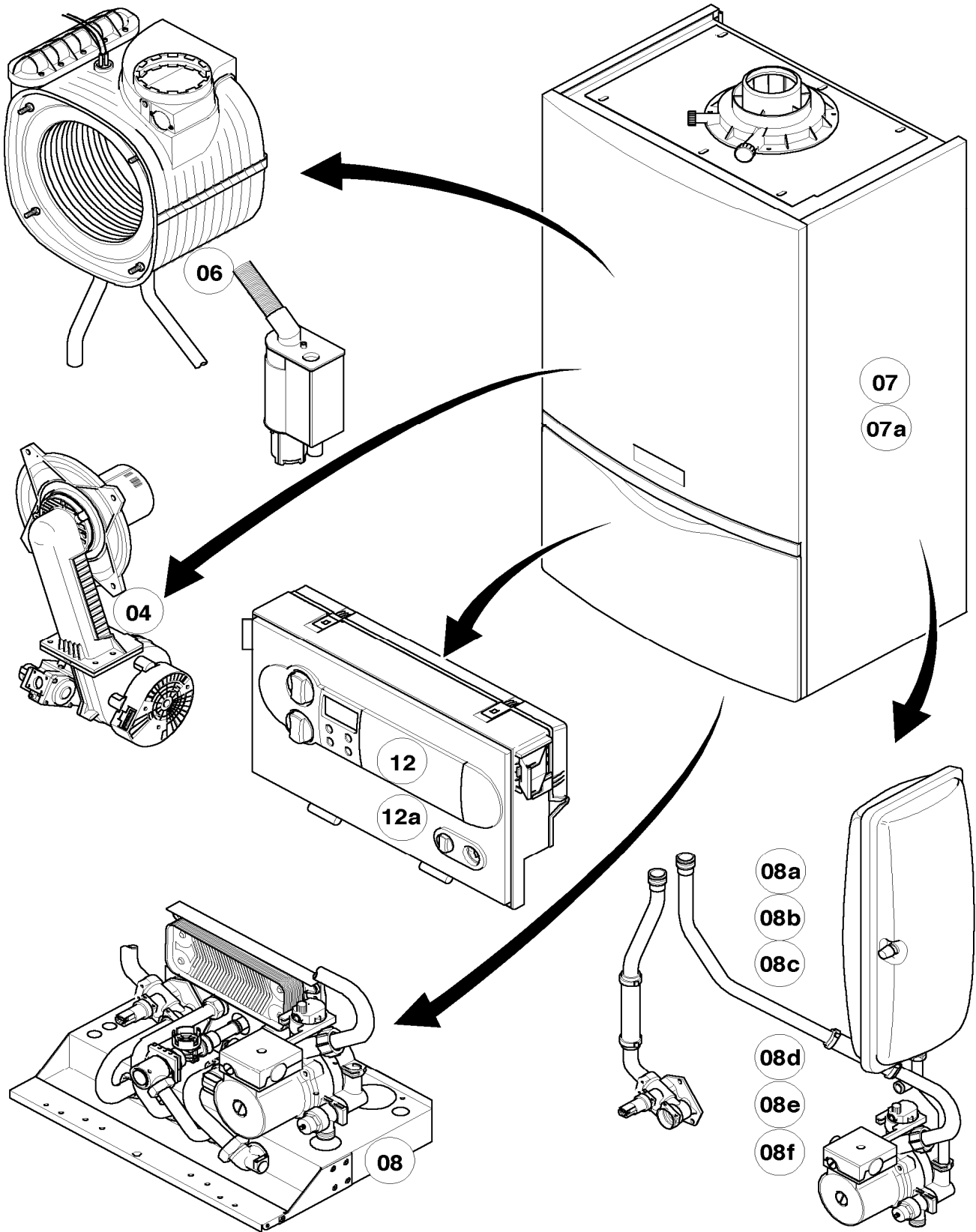
Pos.	Art.-No	Part	Type, note
		02-12-046	
01	193582	Casing	with parts 02, 03
02	251955	Fuse 2.0A T (PK10)	2.0 AT
03	117319	Knobs grey (PK3)	
04	0020052093	Printed circuit	with part 02
05	0020056561	Display (grey)	
06	180982	Pressure gauge	
06a	085751	Pressure gauge clip	
06b	981155	O-ring (PK10)	
07	193586	Harness	appliance
07	193587	Harness	hydraulik
08	078533	Cable fixation	
09	-	-	not necessary
10	-	-	not necessary
11	-	-	not necessary
12	193583	Support	VUW 246/3-5
12	193584	Support	VUW 316/3-5
13	-	-	not necessary
14	-	-	not necessary

Subject to alteration !

Attention: Please take the gross price from the valid price list !

General view of sheet

ecoTEC plus 824 VUW 246/3-5 R1
ecoTEC plus 831 VUW 316/3-5 R1
ecoTEC plus 837 VUW 376/3-5 R1



02 - 00 - 077.04

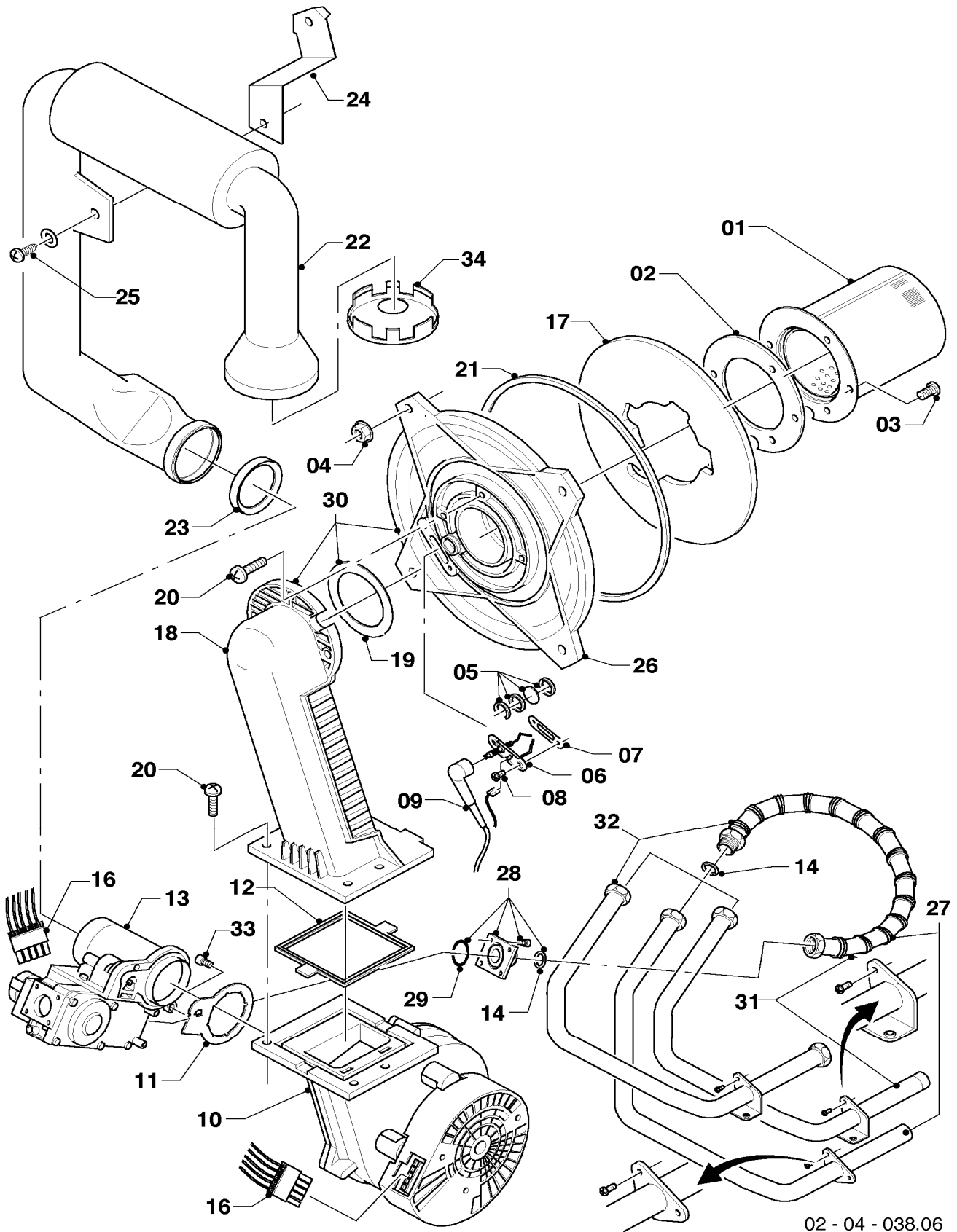
Subject to alteration !
Attention: Please take the gross price from the valid price list !

04 Burner

ecoTEC plus 824 VUW 246/3-5 R1

ecoTEC plus 831 VUW 316/3-5 R1

ecoTEC plus 837 VUW 376/3-5 R1



02 - 04 - 038.06

04 Burner

ecoTEC plus 824 VUW 246/3-5 R1

ecoTEC plus 831 VUW 316/3-5 R1

ecoTEC plus 837 VUW 376/3-5 R1

Pos.	Art.-No	Part	Type, note
		02-04-038	
00	0020010641	Conversion set	H -> P (not shown)
00	0020010642	Conversion set	P -> H (not shown)
01	049324	Burner	VUW 246/3-5 R1, with parts 02, 03
01	049345	Burner	VUW 316/3-5 R1, with parts 02, 03
01	050430	Burner	VUW 376/3-5 R1, with parts 02, 03
02	981103	Sealing ring	
03	105900	Screw (PK10)	
04	0020026537	Nut M6 (PK5)	
05	161245	Inspection glass	
06	090709	Ignition/monitoring electrode	
07	980961	Gasket electrode	
08	118883	Flat head screw ISO 7045	
09	193590	Ignition cable	
10	193593	Fan	with parts 11, 12
11	981104	Gasket	
12	193594	Packing ring	
13	053470	Gas section	VUW 246/3-5 R1, with parts 11, 14, 29
13	053471	Gas section	VUW 316/3-5 R1, with parts 11, 14, 29
13	053500	Gas section	VUW 376/3-5 R1, with parts 11, 14, 29
14	981142	Washer (PK10)	
16	193586	Harness	VUW 246/3-5 R1
16	193586	Harness	VUW 316/3-5 R1
16	0020025036	Harness	VUW 376/3-5 R1
17	193595	Insulation	with parts 02, 03
18	-	-	not available as spare part, see pos. 30
19	981107	Packing ring	
20	193597	Screw (PK10)	
21	0020038679	Sealing gasket	
22	193599	Air inlet duct	VUW 246/3-5 R1, with part 23
22	103404	Air inlet duct	VUW 316/3-5 R1, with part 23
22	0020025039	Air inlet duct	VUW 376/3-5 R1, with part 23
23	981111	Packing ring	
24	103405	Support	
25	235756	Tapping screw (ST 4,8x19)	
26	-	-	not available as spare part, see pos. 30
27	180945	Gas pipe	VUW 246/3-5 R1, until 01/07 (with part 28)
27	180945	Gas pipe	VUW 316/3-5 R1, until 01/07 (with part 28)
27	180945	Gas pipe	VUW 376/3-5 R1, until 01/07 (with part 28)
28	0020010868	Adaptor piece (gas valve)	
29	982319	O-ring	
30	0020010867	Flange (set)	with parts 02 - 05, 07, 08, 12, 14, 17 - 19, 20, 21, 26
31	0020046863	Gas pipe	VUW 246/3-5 R1, from 02/07 (with part 28)
31	0020046863	Gas pipe	VUW 316/3-5 R1, from 02/07 (with part 28)
31	0020046863	Gas pipe	VUW 376/3-5 R1, from 02/07 (with part 28)
32	-	-	not necessary
33	509685	Screw (PK10)	
34	-	-	not necessary

Subject to alteration !

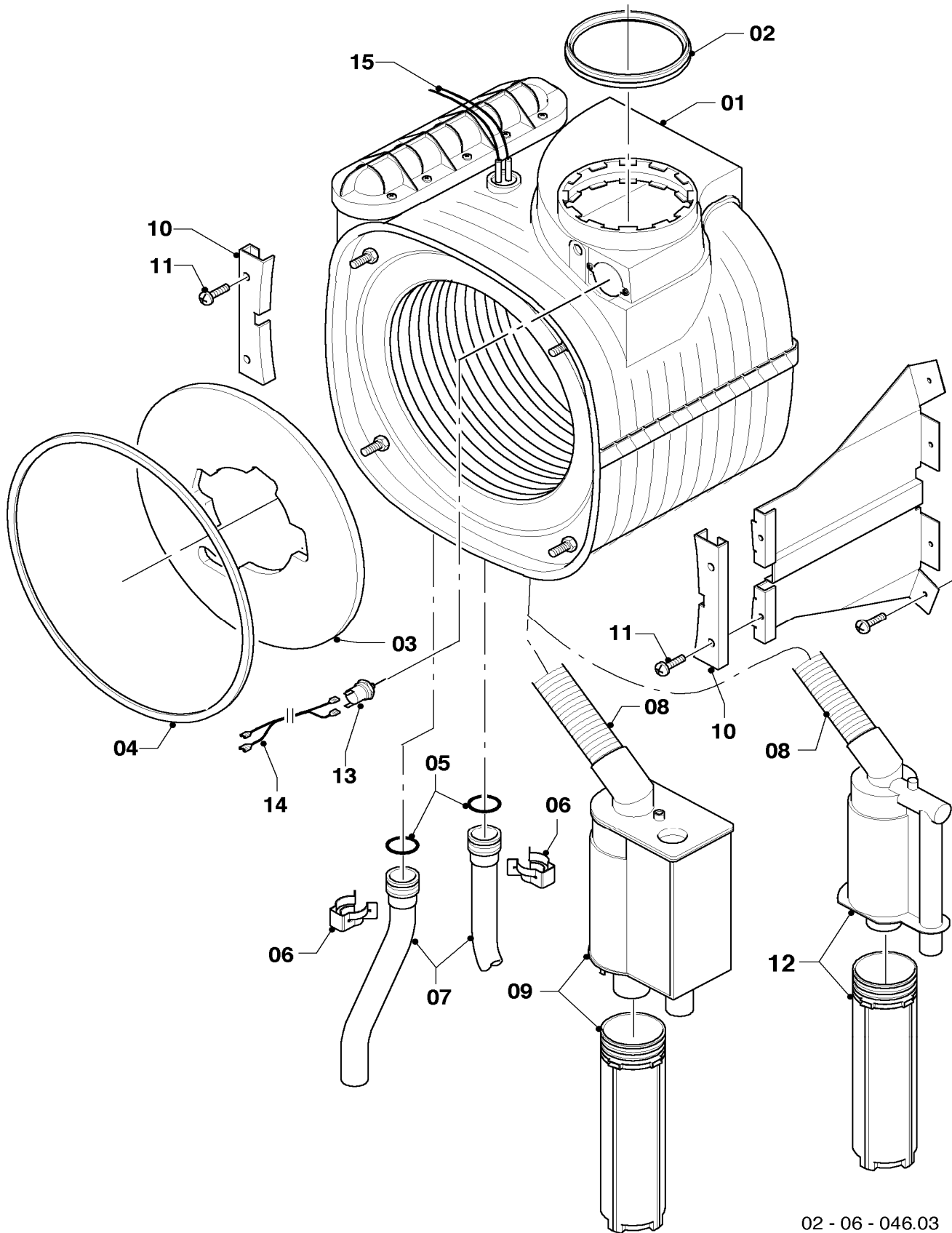
Attention: Please take the gross price from the valid price list !

06 Heat exchanger

ecoTEC plus 824 VUW 246/3-5 R1

ecoTEC plus 831 VUW 316/3-5 R1

ecoTEC plus 837 VUW 376/3-5 R1



02 - 06 - 046.03

06 Heat exchanger

ecoTEC plus 824 VUW 246/3-5 R1

ecoTEC plus 831 VUW 316/3-5 R1

ecoTEC plus 837 VUW 376/3-5 R1

Pos.	Art.-No	Part	Type, note
		02-06-046	
01	0020018181	Heat exchanger	VUW 246/3-5 R1, with parts 02, 03, 04, 05, 06
01	0020018182	Heat exchanger	VUW 316/3-5 R1, with parts 02, 03, 04, 05, 06
01	0020025040	Heat exchanger	VUW 376/3-5 R1, with parts 02, 03, 04, 05, 06
01	210779	Insulation	for heat exchanger, not shown
02	981227	Gasket	
03	193595	Insulation	
04	0020038679	Sealing gasket	
05	103415	O-ring (PK10)	
06	103417	Clip (PK10)	
07	-	-	see main component 08a
08	-	-	not available as spare part, see pos. 09
09	180985	Siphonic condensate trap	with part 08
10	180989	Support (PK2)	with part 11
11	178968	Screw (PK10)	
12	-	-	not necessary
13	-	-	not necessary
14	-	-	not necessary
15	0020052332	Cable tree (harness)	

Subject to alteration !

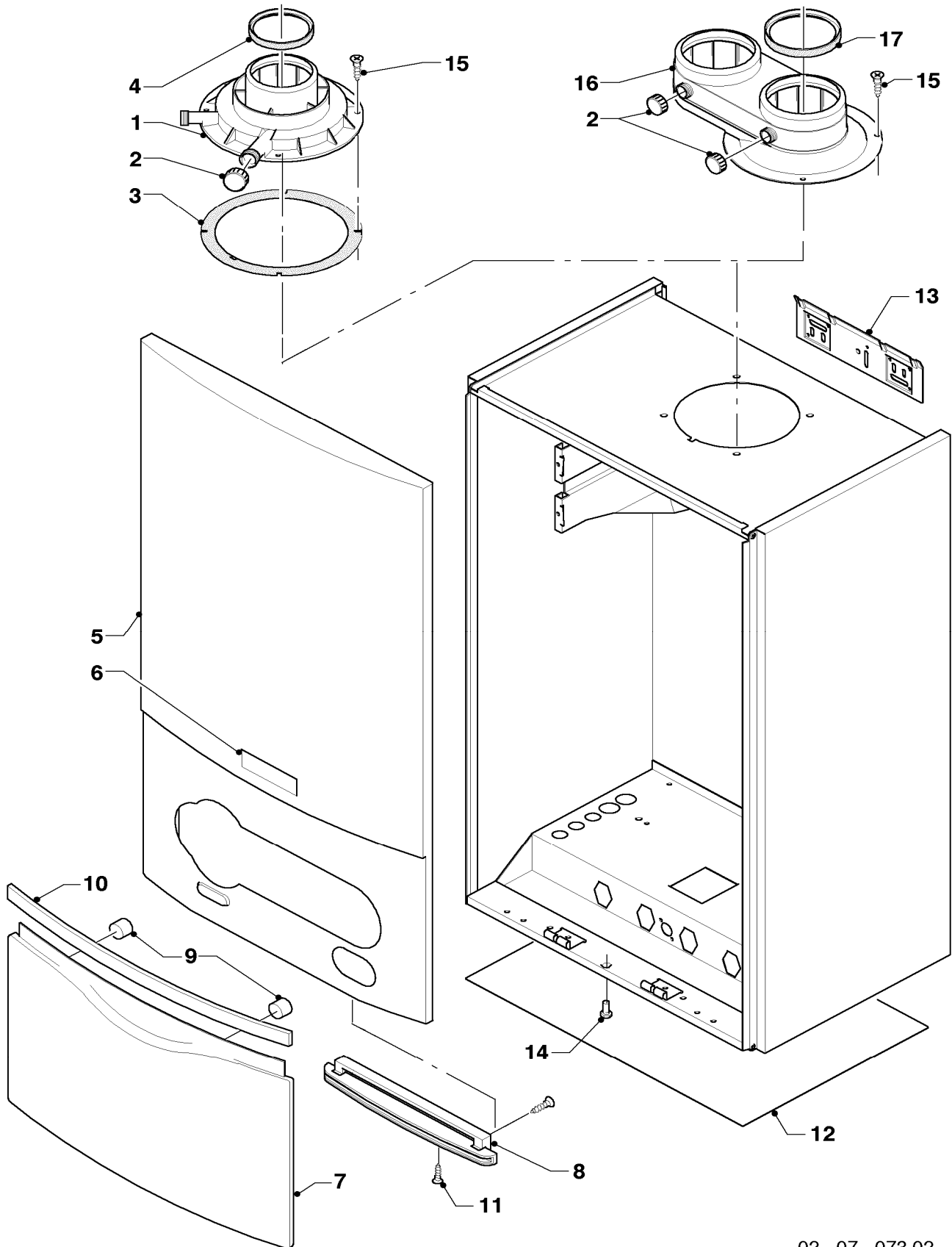
Attention: Please take the gross price from the valid price list !

07 Casing parts

ecoTEC plus 824 VUW 246/3-5 R1

ecoTEC plus 831 VUW 316/3-5 R1

ecoTEC plus 837 VUW 376/3-5 R1



02 - 07 - 073.02

07 Casing parts

ecoTEC plus 824 VUW 246/3-5 R1

ecoTEC plus 831 VUW 316/3-5 R1

ecoTEC plus 837 VUW 376/3-5 R1

Pos.	Art.-No	Part	Type, note
		02-07-073	
01	180932	Flue adapter 60/100	with parts 02, 03, 04
02	147392	Cap (PK5)	
03	981232	Gasket	
04	981233	Packing ring	
05	180935	Covering	VUW 246/3-5 R1, with parts 06, 07, 08, 09, 10, 11
05	180935	Covering	VUW 316/3-5 R1, with parts 06, 07, 08, 09, 10, 11
05	180937	Covering	VUW 376/3-5 R1, with parts 06, 07, 08, 09, 10, 11
06	118096	Badge	
07	180940	Cover	with parts 09, 10, 11
08	180944	Hinge	with part 11
09	180941	Magnet (PK2)	
10	180942	Handle (white)	
11	193538	Screw (PK10)	
12	180988	Cover	
13	180987	Support	
14	105839	Screw (PK10)	
15	500046	Screw	
16	-	-	not necessary
17	-	-	not necessary

Subject to alteration !

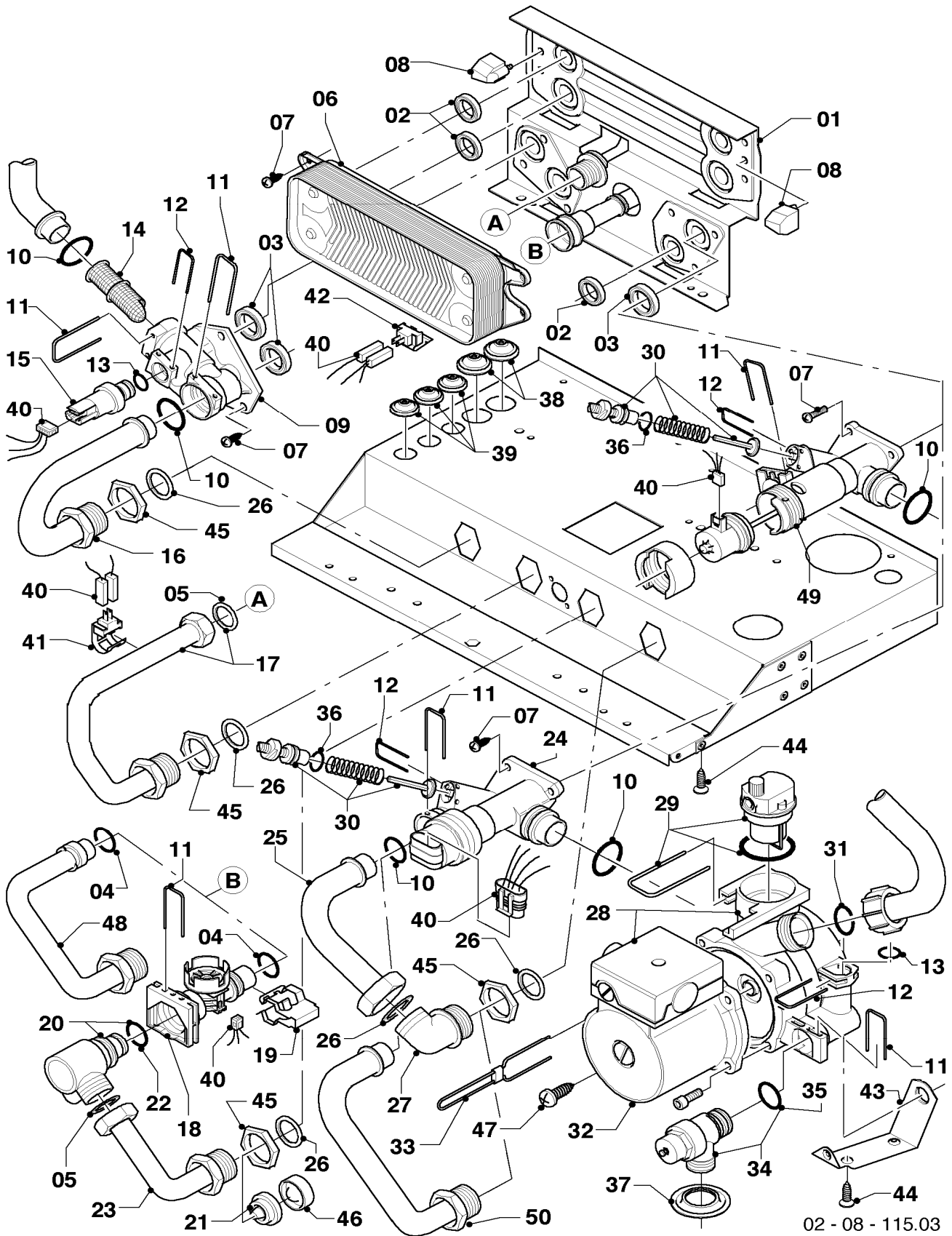
Attention: Please take the gross price from the valid price list !

08 Connection parts (Hydroblock)

ecoTEC plus 824 VUW 246/3-5 R1

ecoTEC plus 831 VUW 316/3-5 R1

ecoTEC plus 837 VUW 376/3-5 R1



08 Connection parts (Hydroblock)

ecoTEC plus 824 VUW 246/3-5 R1

ecoTEC plus 831 VUW 316/3-5 R1

ecoTEC plus 837 VUW 376/3-5 R1

Pos.	Art.-No	Part	Type, note
		02-08-115	
01	178965	Support	with parts 02, 03, 04, 05, 07, 08, 10, 19, 22, 26, 44
02	178969	Washer (PK10)	
03	193535	Washer (PK10)	
04	178991	O-ring (PK10)	
05	981142	Washer (PK10)	
06	178973	Heat exchanger dhw (20 plates)	VUW 246/3-5 R1, with parts 02, 07
06	178973	Heat exchanger dhw (20 plates)	VUW 316/3-5 R1, with parts 02, 07
06	0020025041	Heat exchanger dhw (35 plates)	VUW 376/3-5 R1, with parts 02, 07
07	178967	Screw (PK10)	
08	193536	Guide (PK2)	
09	179031	Connection piece	with parts 03, 07, 10, 11, 12, 13, 14
10	193537	O-ring (PK10)	
11	178992	Clip (PK10)	
12	154150	Clip	
13	178993	O-ring (PK10)	
14	179030	Filter	with parts 10, 11
15	0020059717	Sensor water pressure	with parts 12, 13
16	179033	Pipe	with parts 10, 26
17	179034	Pipe	with part 26
18	178988	Flow sensor	with parts 04, 11, 19, 22
19	178966	Clip	
20	179032	Connection piece	with parts 05, 11, 22
21	012975	Limiter 8.1l/min	VUW 246/3-5 R1
21	0020018069	Limiter 10.4l/min	VUW 316/3-5 R1
21	012993	Limiter 13l/min	VUW 376/3-5 R1
22	981163	O-ring (PK10)	
23	179037	Pipe	with parts 05, 21, 26, 46
24	178978	Diverter valve	with parts 02, 03, 07, 10, 11
25	179036	Pipe	with parts 10, 26
26	981140	Washer (PK10)	
27	179035	Connection piece	with part 26
28	178983	Pump	VUW 246/3-5 R1, with parts 02, 03, 10, 11, 13, 29, 31, 34, 47
28	178983	Pump	VUW 316/3-5 R1, with parts 02, 03, 10, 11, 13, 29, 31, 34, 47
28	0020025042	Pump	VUW 376/3-5 R1, with parts 02, 03, 10, 11, 13, 29, 31, 34, 47
29	104521	Automatic air vent	
30	178980	Bypass	with part 12
31	193539	O-ring (PK10)	
32	-	-	not available as spare part, see pos. 28
33	178981	Clip	
34	178985	Pressure relief valve (3 bar)	with part 11
35	-	-	not available as spare part, see pos. 34
36	981165	O-ring (PK10)	
37	980765	Grommet	
38	509120	Packing ring (PK10)	
39	509121	Packing ring (PK10)	
40	193587	Harness	VUW 246/3-5 R1
40	193587	Harness	VUW 316/3-5 R1
40	0020025038	Harness	VUW 376/3-5 R1
41	103429	NTC sensor (DHW outlet pipe)	flow
42	103430	NTC sensor (DHW heat exchanger)	heat exchanger

Subject to alteration !

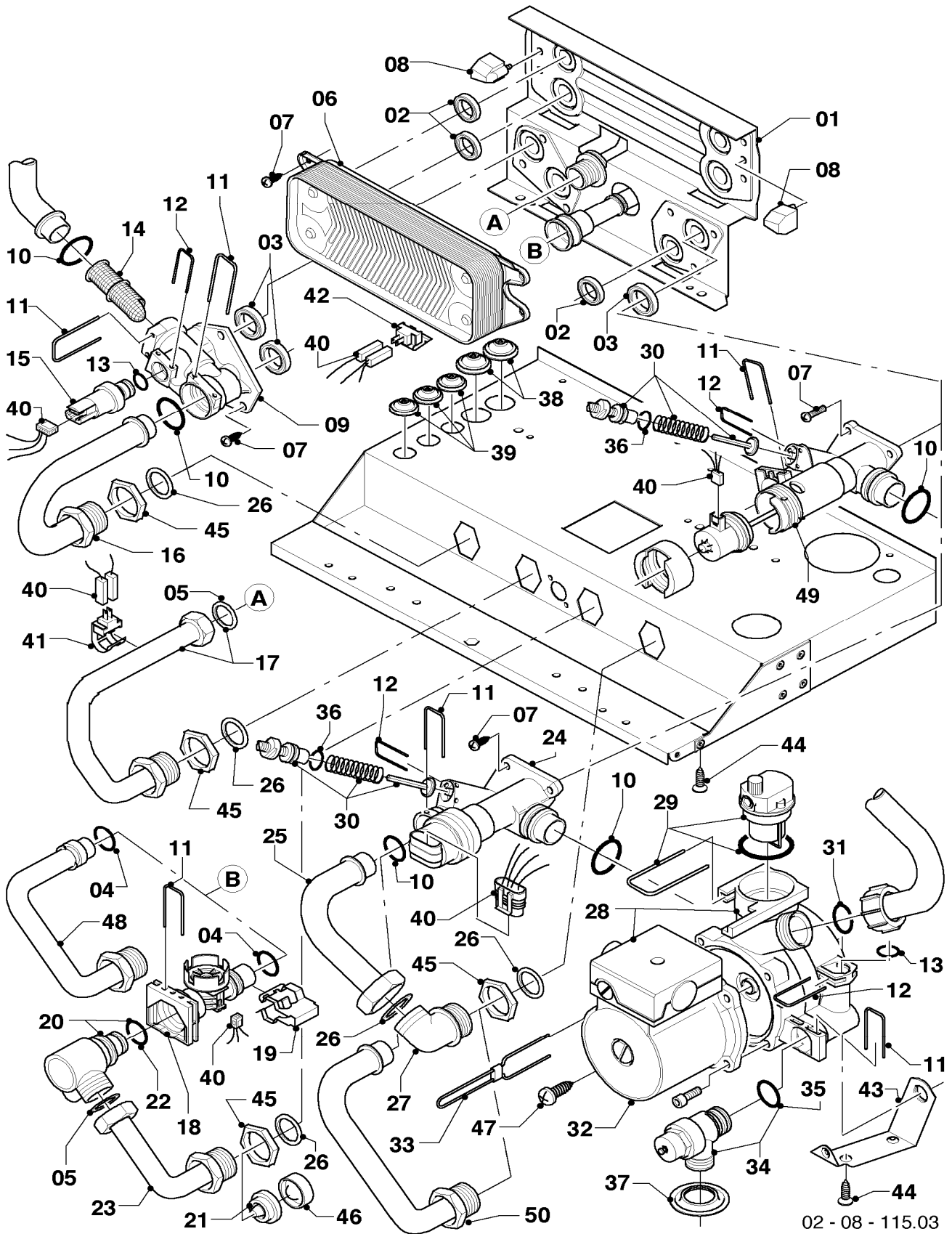
Attention: Please take the gross price from the valid price list !

08 Connection parts (Hydroblock)

ecoTEC plus 824 VUW 246/3-5 R1

ecoTEC plus 831 VUW 316/3-5 R1

ecoTEC plus 837 VUW 376/3-5 R1



02 - 08 - 115.03

08 Connection parts (Hydroblock)

ecoTEC plus 824 VUW 246/3-5 R1

ecoTEC plus 831 VUW 316/3-5 R1

ecoTEC plus 837 VUW 376/3-5 R1

Pos.	Art.-No	Part	Type, note
		02-08-115	
43	178984	Support	
44	235715	Tapping screw ISO 7049	
45	193598	Nut (PK4)	
46	074514	Filter	
47	235756	Tapping screw (ST 4,8x19)	
48	-	-	not necessary
49	-	-	not necessary
50	-	-	not necessary

Subject to alteration !

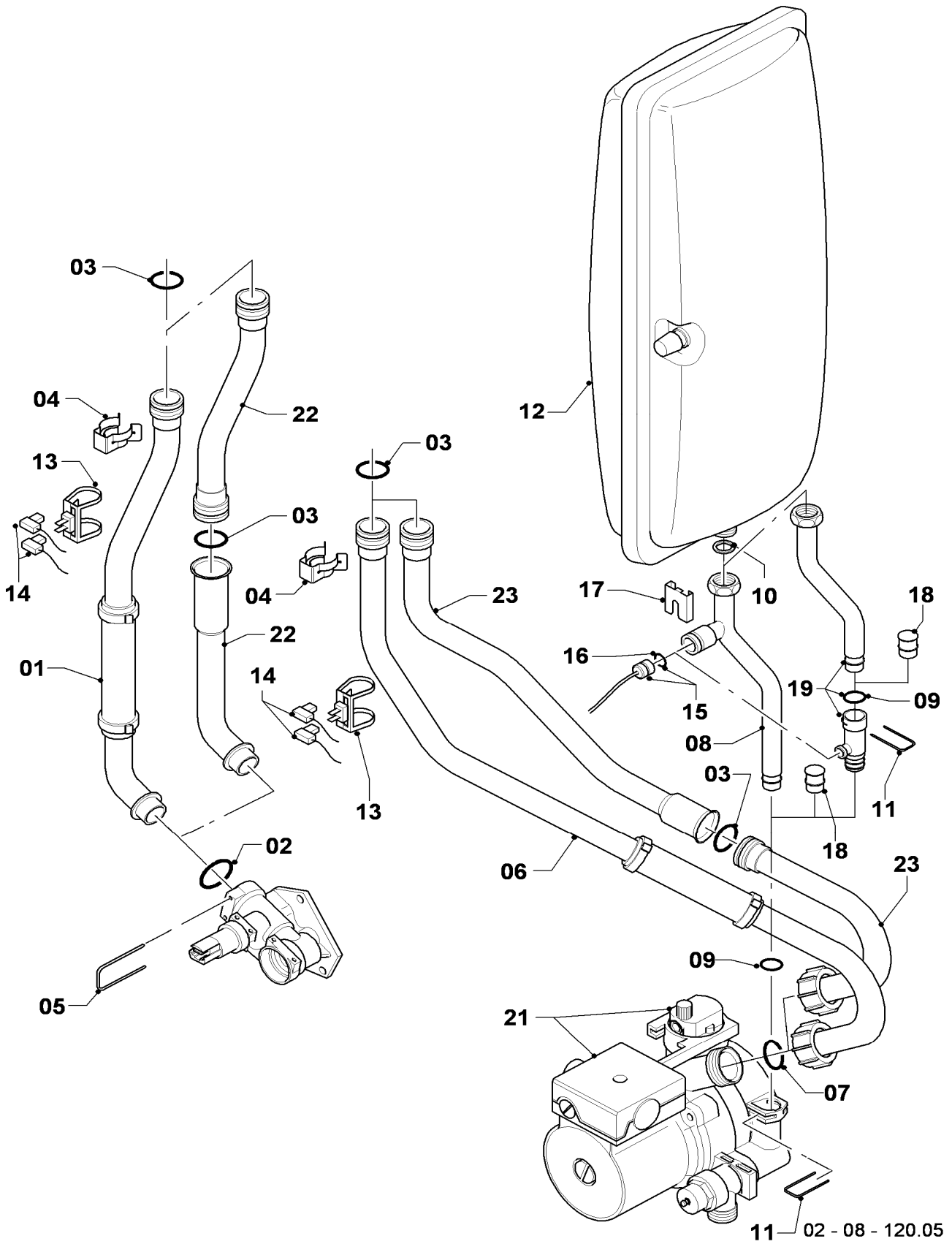
Attention: Please take the gross price from the valid price list !

08a Connection parts

ecoTEC plus 824 VUW 246/3-5 R1

ecoTEC plus 831 VUW 316/3-5 R1

ecoTEC plus 837 VUW 376/3-5 R1



08a Connection parts

ecoTEC plus 824 VUW 246/3-5 R1

ecoTEC plus 831 VUW 316/3-5 R1

ecoTEC plus 837 VUW 376/3-5 R1

Pos.	Art.-No	Part	Type, note
		02-08-120	
01	-	-	VUW 246/3-5 R1, 180946 no longer available, see pict. no. 22
01	-	-	VUW 316/3-5 R1, 180946 no longer available, see pict. no. 22
01	-	-	VUW 376/3-5 R1, 180947 no longer available, see pict. no. 22
02	193537	O-ring (PK10)	
03	103415	O-ring (PK10)	
04	103417	Clip (PK10)	
05	178992	Clip (PK10)	
06	-	-	180948 no longer available, see pict. no. 23
07	193539	O-ring (PK10)	
08	-	-	no longer available, see pict. no. 19
09	178993	O-ring (PK10)	
10	981149	Washer (PK10)	
11	154150	Clip	
12	181051	Expansion vessel	10 Liter
13	193592	Sensor NTC (CH flow/CH return)	
14	193586	Harness	VUW 246/3-5 R1
14	193586	Harness	VUW 316/3-5 R1
14	0020025036	Harness	VUW 376/3-5 R1
15	180982	Pressure gauge	
16	981155	O-ring (PK10)	
17	085751	Pressure gauge clip	
18	-	-	not necessary
19	0020025045	Connection tube	with parts 10, 11, 16, 17
20	-	-	not necessary
21	178983	Pump	VUW 246/3-5 R1
21	178983	Pump	VUW 316/3-5 R1
21	0020025042	Pump	VUW 376/3-5 R1
22	0020068956	Connection tube	VUW 246/3-5 R1, with parts 02, 03
22	0020068956	Connection tube	VUW 316/3-5 R1, with parts 02, 03
22	0020068957	Connection tube	VUW 376/3-5 R1, with parts 02, 03
23	0020068958	Connection tube	with parts 02, 07

Subject to alteration !

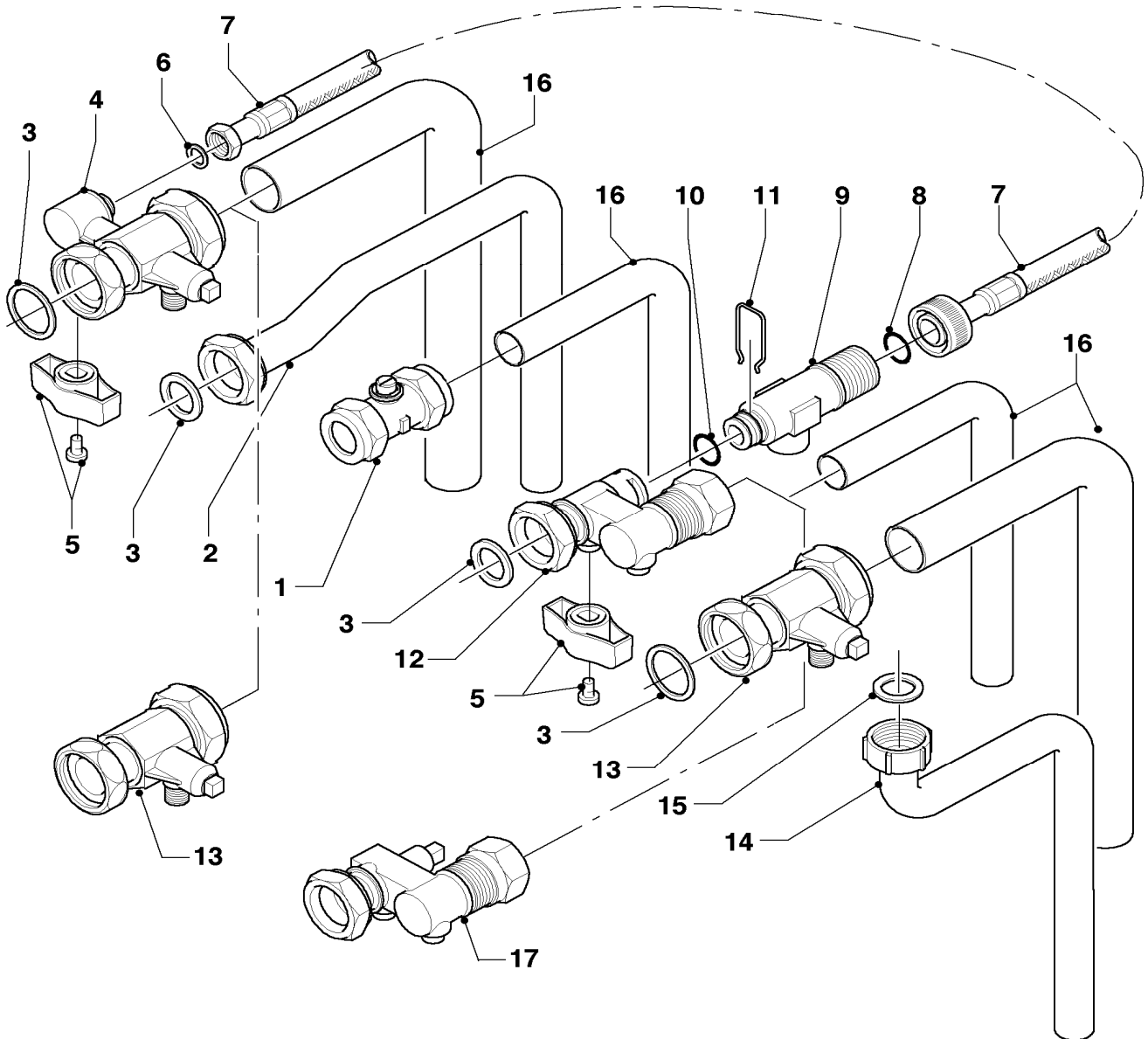
Attention: Please take the gross price from the valid price list !

08b Connection parts (Acc.)

ecoTEC plus 824 VUW 246/3-5 R1

ecoTEC plus 831 VUW 316/3-5 R1

ecoTEC plus 837 VUW 376/3-5 R1



02 - 08 - 125.01

08b Connection parts (Acc.)

ecoTEC plus 824 VUW 246/3-5 R1

ecoTEC plus 831 VUW 316/3-5 R1

ecoTEC plus 837 VUW 376/3-5 R1

Pos.	Art.-No	Part	Type, note
		02-08-125	
01	082782	Gas shut-off valve	VUW 246/3-5 R1
01	082782	Gas shut-off valve	VUW 316/3-5 R1
01	082794	Gas shut-off valve 36kW	VUW 376/3-5 R1
02	0020010290	Pipe	with part 03
03	981140	Washer (PK10)	
04	0020010291	Service cock	with parts 03, 05, 06
05	0020010292	Handle (PK2)	
06	981146	Washer (PK10)	
07	0020010293	Flexible tube	with parts 06, 08
08	981165	O-ring (PK10)	
09	0020010294	Valve	with parts 08, 10, 11
10	981154	O-ring (PK10)	
11	154150	Clip	
12	0020010295	Valve	with parts 03, 05, 10, 11
13	0020010296	Service cock	with part 03
14	0020010297	Pipe	with part 15
15	0020010298	Washer (PK10)	
16	-	-	not available as spare part
17	-	-	not necessary

Subject to alteration !

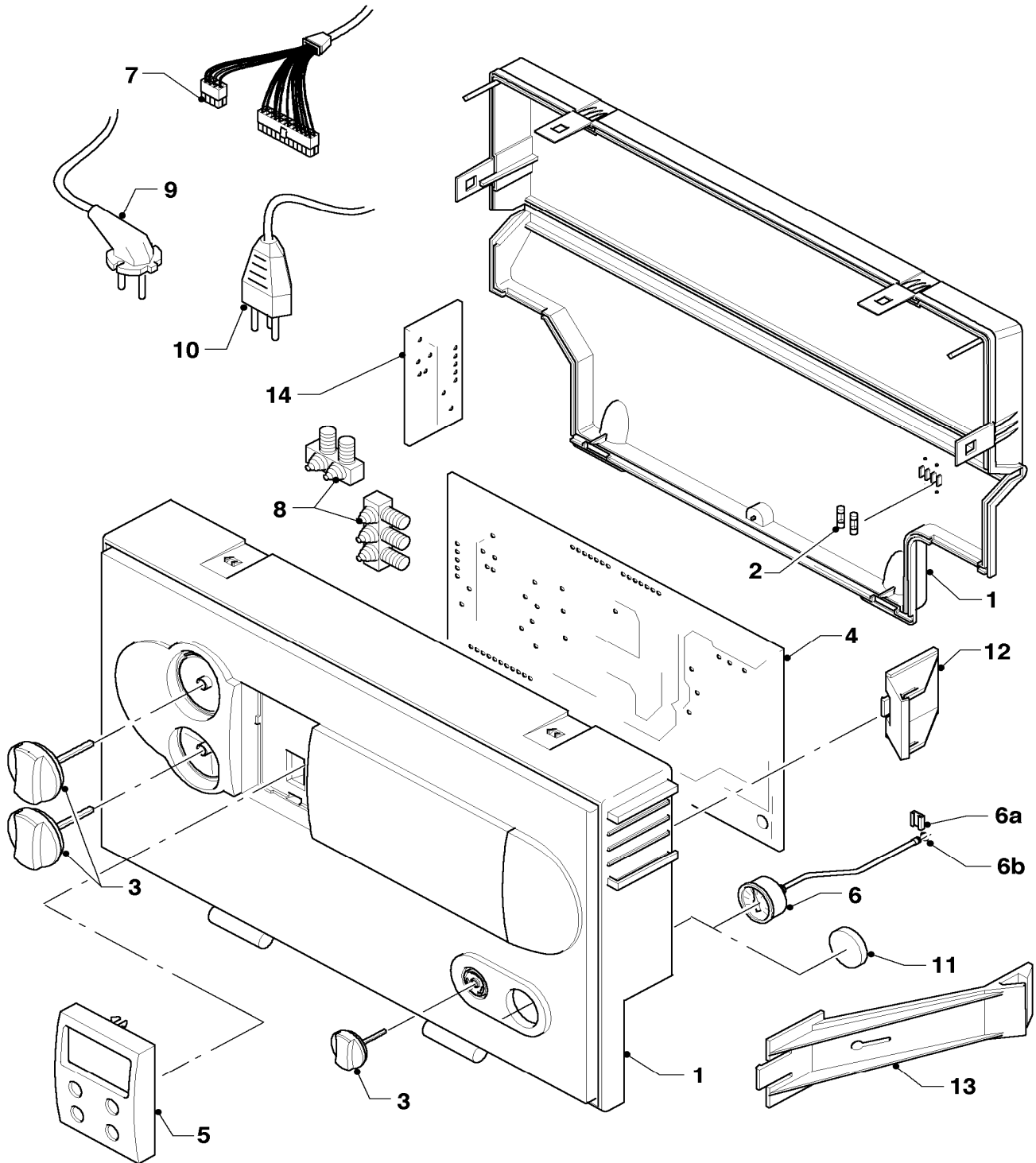
Attention: Please take the gross price from the valid price list !

12 Control box (until 08/07)

ecoTEC plus 824 VUW 246/3-5 R1

ecoTEC plus 831 VUW 316/3-5 R1

ecoTEC plus 837 VUW 376/3-5 R1



02 - 12 - 046.02

12 Control box (until 08/07)

ecoTEC plus 824 VUW 246/3-5 R1

ecoTEC plus 831 VUW 316/3-5 R1

ecoTEC plus 837 VUW 376/3-5 R1

Pos.	Art.-No	Part	Type, note
		02-12-046	
01	193582	Casing	with parts 02, 03
02	251955	Fuse 2.0A T (PK10)	2.0 AT
03	117319	Knobs grey (PK3)	
04	0020052093	Printed circuit	with part 02
05	0020056561	Display (grey)	
06	180982	Pressure gauge	
06a	085751	Pressure gauge clip	
06b	981155	O-ring (PK10)	
07	193586	Harness	VUW 246/3-5 R1, appliance
07	193586	Harness	VUW 316/3-5 R1, appliance
07	0020025036	Harness	VUW 376/3-5 R1, appliance
07	193587	Harness	VUW 246/3-5 R1, hydraulik
07	193587	Harness	VUW 316/3-5 R1, hydraulik
07	0020025038	Harness	VUW 376/3-5 R1, hydraulik
08	078533	Cable fixation	
09	-	-	not necessary
10	-	-	not necessary
11	-	-	not necessary
12	193583	Support	VUW 246/3-5 R1
12	193584	Support	VUW 316/3-5 R1
12	193585	Support	VUW 376/3-5 R1
13	-	-	not necessary
14	-	-	not necessary

Subject to alteration !

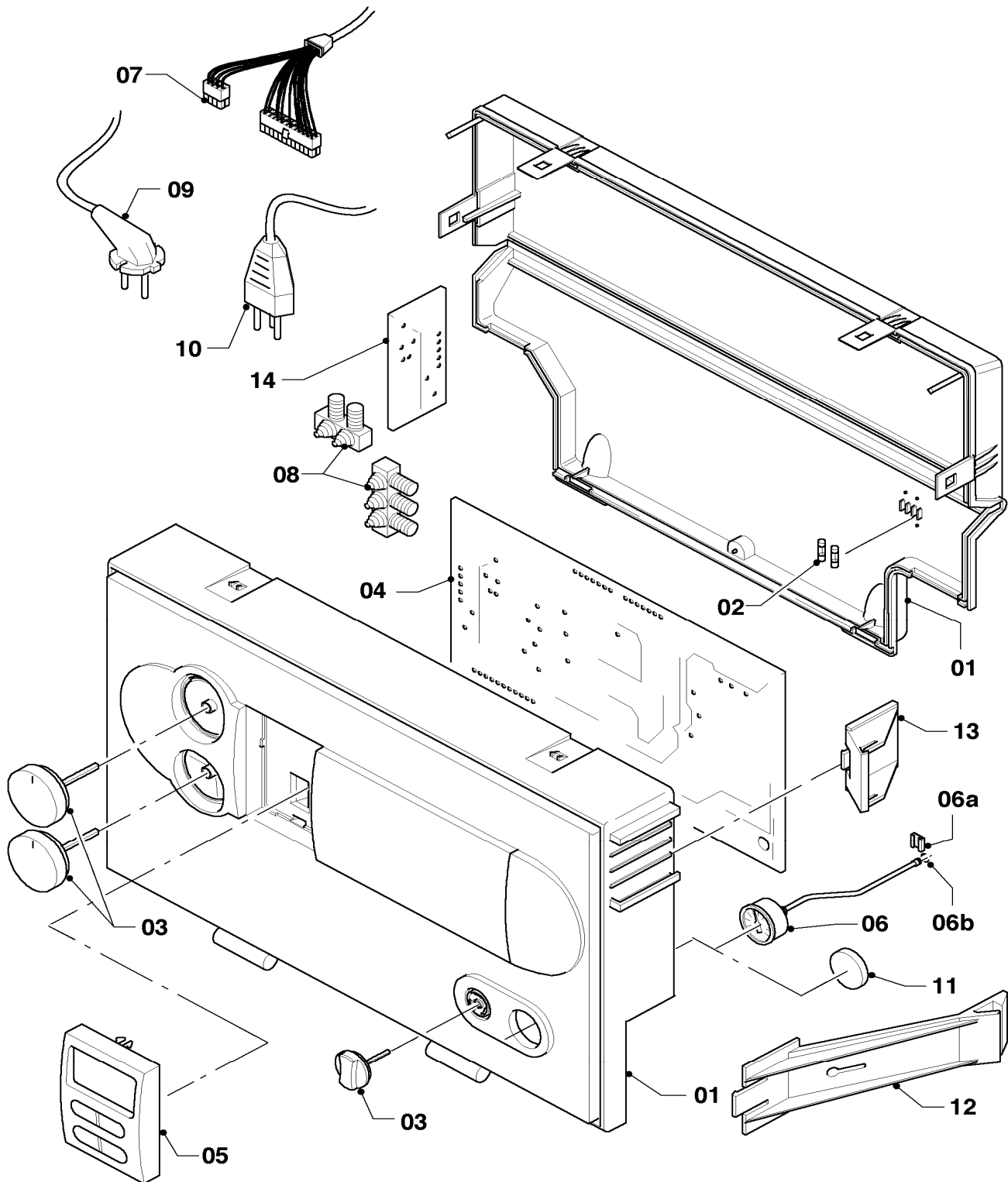
Attention: Please take the gross price from the valid price list !

12a Control panel (from 09/07)

ecoTEC plus 824 VUW 246/3-5 R1

ecoTEC plus 831 VUW 316/3-5 R1

ecoTEC plus 837 VUW 376/3-5 R1



02 - 12 - 048.02

12a Control panel (from 09/07)

ecoTEC plus 824 VUW 246/3-5 R1

ecoTEC plus 831 VUW 316/3-5 R1

ecoTEC plus 837 VUW 376/3-5 R1

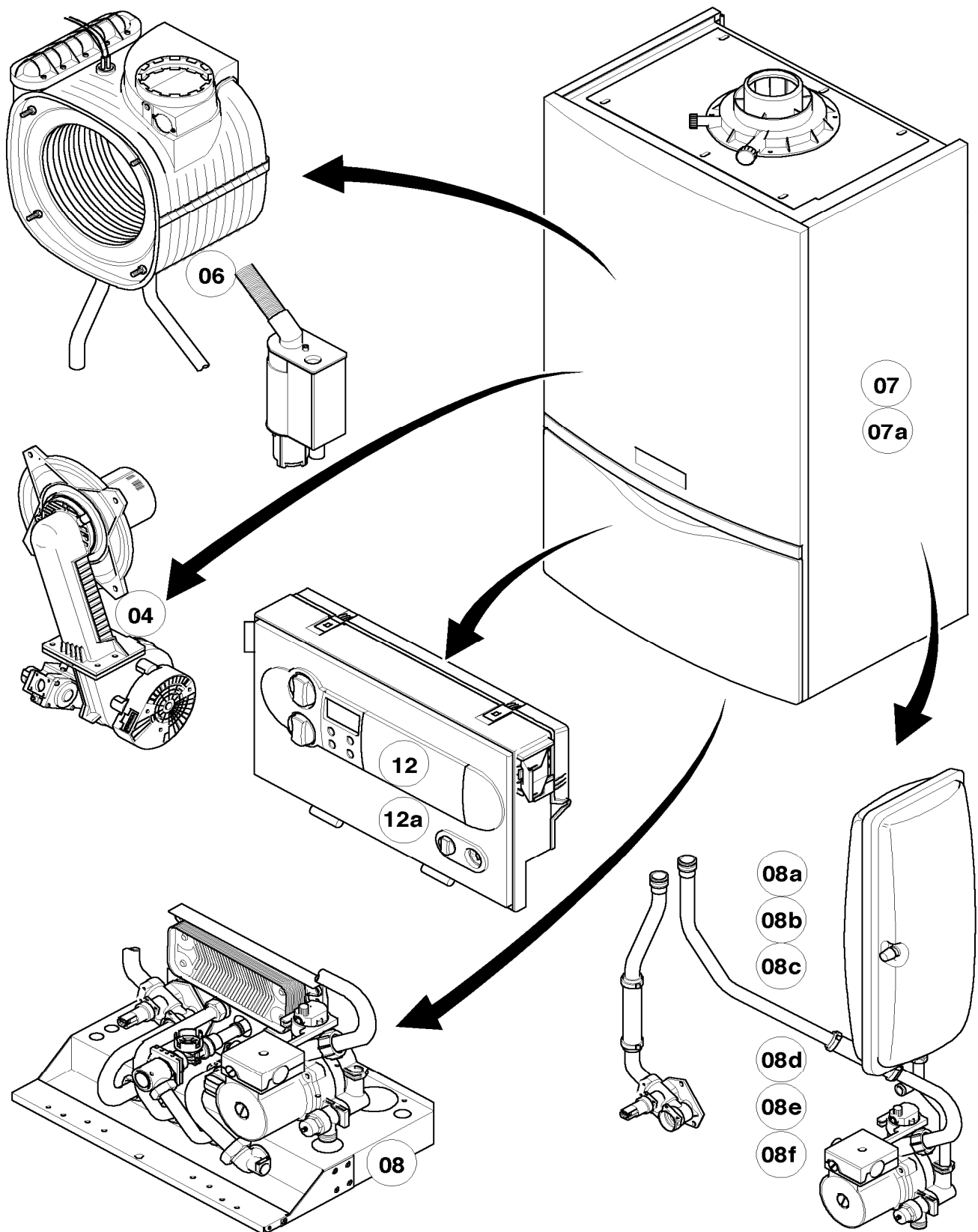
Pos.	Art.-No	Part	Type, note
		02-12-048	
01	0020041164	Casing (Performance, grey)	with parts 02, 03
02	251955	Fuse 2.0A T (PK10)	2.0 AT
03	0020048969	Knobs grey (PK3)	
04	0020052093	Printed circuit	with part 02
05	0020056561	Display (grey)	
06	180982	Pressure gauge	
06a	085751	Pressure gauge clip	
06b	981155	O-ring (PK10)	
07	193586	Harness	VUW 246/3-5 R1, appliance
07	193586	Harness	VUW 316/3-5 R1, appliance
07	0020025036	Harness	VUW 376/3-5 R1, appliance
07	193587	Harness	VUW 246/3-5 R1, hydraulik
07	193587	Harness	VUW 316/3-5 R1, hydraulik
07	0020025038	Harness	VUW 376/3-5 R1, hydraulik
08	078533	Cable fixation	
09	-	-	not necessary
10	-	-	not necessary
11	-	-	not necessary
12	-	-	not necessary
13	193583	Support	VUW 246/3-5 R1
13	193584	Support	VUW 316/3-5 R1
13	193585	Support	VUW 376/3-5 R1
14	-	-	not necessary

Subject to alteration !

Attention: Please take the gross price from the valid price list !

General view of sheet

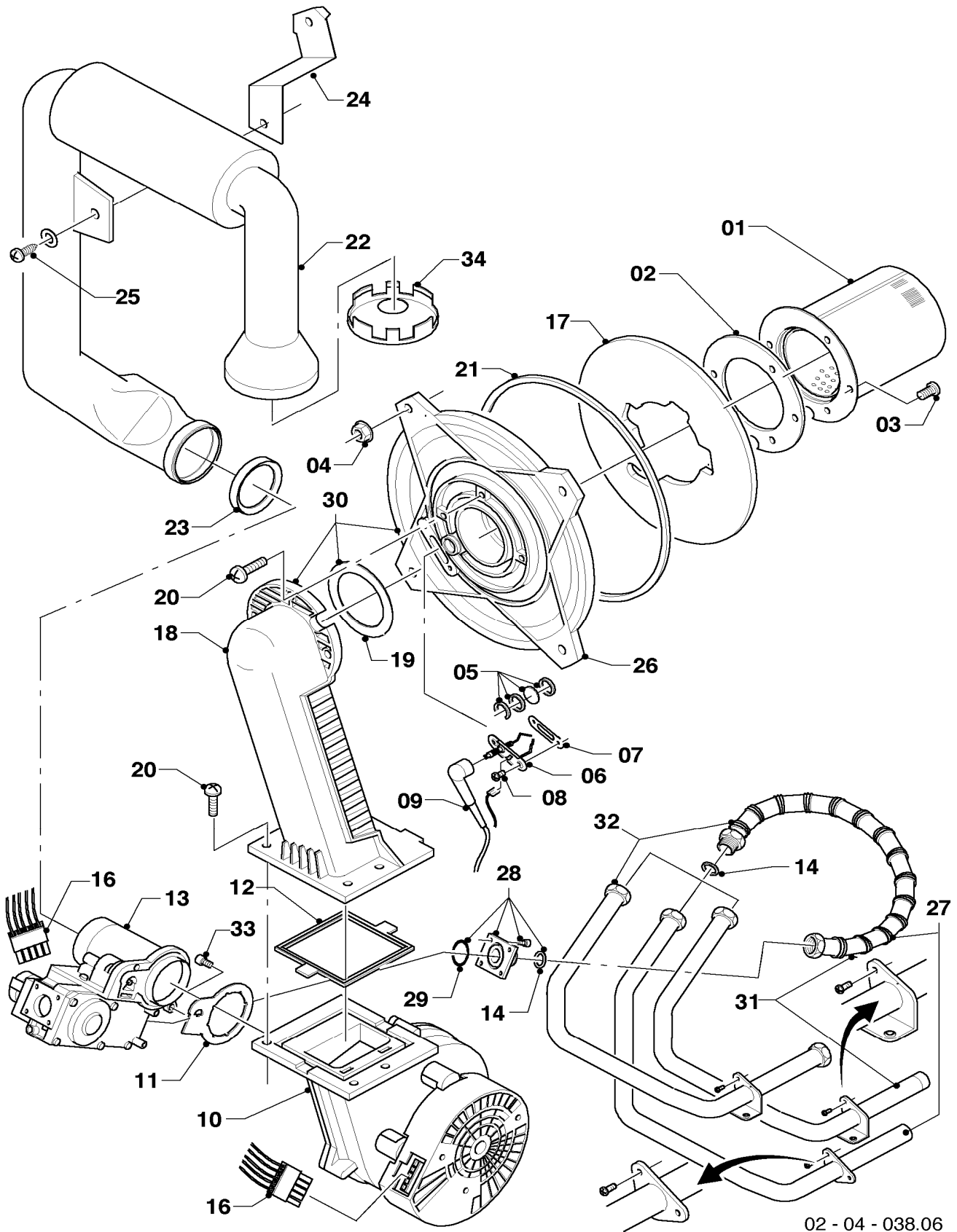
ecoTEC plus 612 VU 126/3-5, ecoTEC plus 615 VU 156/3-5
ecoTEC plus 618 VU 186/3-5, ecoTEC plus 624 VU 246/3-5
ecoTEC plus 630 VU 306/3-5



02 - 00 - 077.04

04 Burner

ecoTEC plus 612 VU 126/3-5, ecoTEC plus 615 VU 156/3-5
ecoTEC plus 618 VU 186/3-5, ecoTEC plus 624 VU 246/3-5
ecoTEC plus 630 VU 306/3-5



02 - 04 - 038.06

04 Burner

ecoTEC plus 612 VU 126/3-5, ecoTEC plus 615 VU 156/3-5

ecoTEC plus 618 VU 186/3-5, ecoTEC plus 624 VU 246/3-5

ecoTEC plus 630 VU 306/3-5

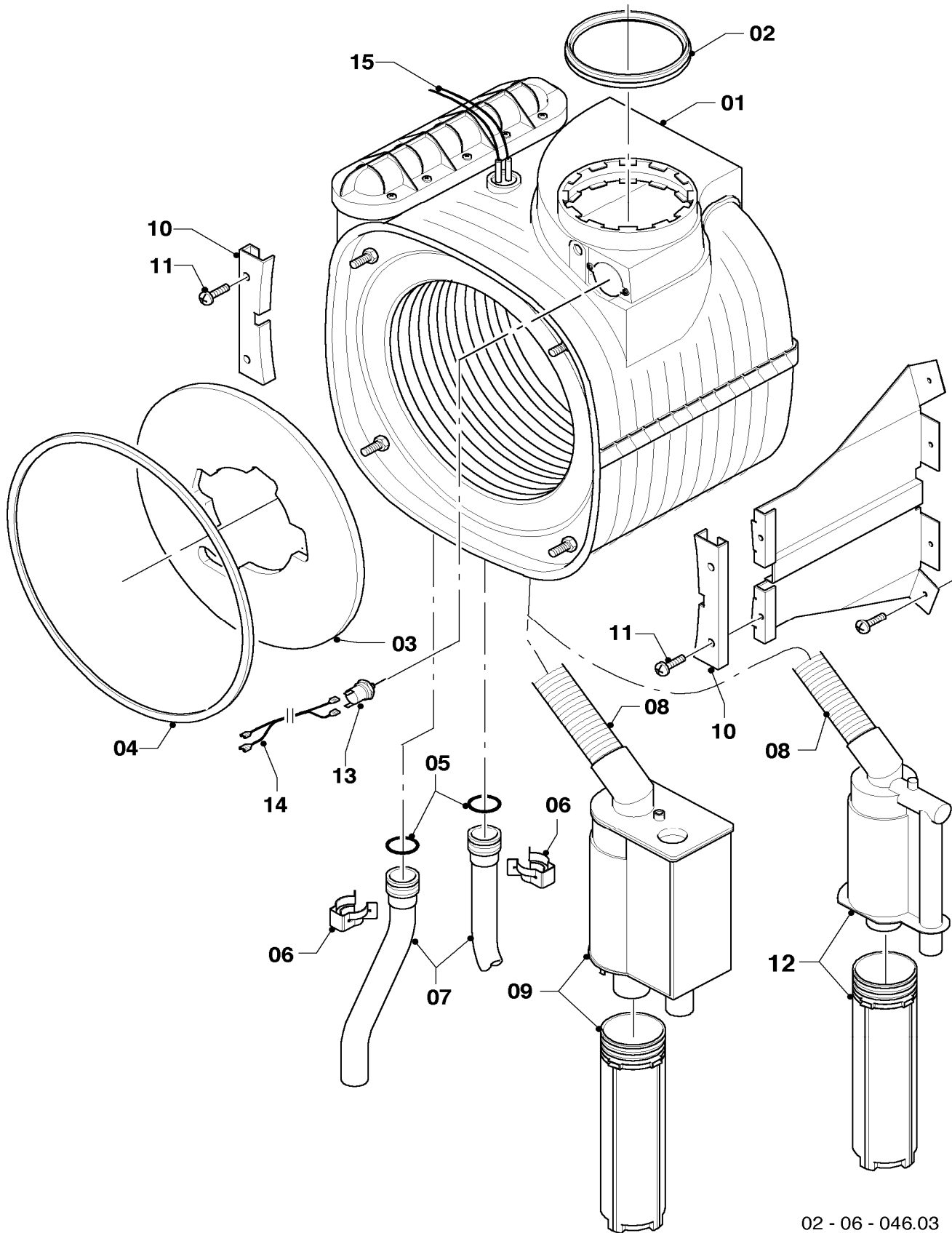
Pos.	Art.-No	Part	Type, note
		02-04-038	
00	0020010641	Conversion set	H -> P (not shown)
00	0020010642	Conversion set	P -> H (not shown)
01	048943	Burner	VU 126/3-5, with parts 02, 03
01	048943	Burner	VU 156/3-5, with parts 02, 03
01	049324	Burner	VU 186/3-5, with parts 02, 03
01	049345	Burner	VU 246/3-5, with parts 02, 03
01	050430	Burner	VU 306/3-5, with parts 02, 03
02	981103	Sealing ring	
03	105900	Screw (PK10)	
04	0020026537	Nut M6 (PK5)	
05	161245	Inspection glass	
06	090709	Ignition/monitoring electrode	
07	980961	Gasket electrode	
08	118883	Flat head screw ISO 7045	
09	193590	Ignition cable	
10	193593	Fan	with parts 11, 12
11	981104	Gasket	
12	193594	Packing ring	
13	053488	Gas section	VU 126/3-5, with parts 11, 14, 29
13	053488	Gas section	VU 156/3-5, with parts 11, 14, 29
13	053470	Gas section	VU 186/3-5, with parts 11, 14, 29
13	053471	Gas section	VU 246/3-5, with parts 11, 14, 29
13	053500	Gas section	VU 306/3-5, with parts 11, 14, 29
14	981142	Washer (PK10)	
16	193586	Harness	VU 126/3-5
16	193586	Harness	VU 156/3-5
16	193586	Harness	VU 186/3-5
16	193586	Harness	VU 246/3-5
16	0020025036	Harness	VU 306/3-5
17	193595	Insulation	with parts 02, 03
18	-	-	not available as spare part, see pos. 30
19	981107	Packing ring	
20	193597	Screw (PK10)	
21	0020038679	Sealing gasket	
22	193599	Air inlet duct	VU 126/3-5, with part 23
22	193599	Air inlet duct	VU 156/3-5, with part 23
22	193599	Air inlet duct	VU 186/3-5, with part 23
22	103404	Air inlet duct	VU 246/3-5, with part 23
22	103404	Air inlet duct	VU 306/3-5, with part 23
23	981111	Packing ring	
24	103405	Support	
25	235756	Tapping screw (ST 4,8x19)	
26	-	-	not available as spare part, see pos. 30
27	180945	Gas pipe	with part 28
28	0020010868	Adaptor piece (gas valve)	
29	982319	O-ring	
30	0020010867	Flange (set)	with parts 02 - 05, 07, 08, 12, 14, 17 - 19, 20, 21,26
31	-	-	not necessary
32	-	-	not necessary
33	509685	Screw (PK10)	
34	-	-	not necessary

Subject to alteration !

Attention: Please take the gross price from the valid price list !

06 Heat exchanger

ecoTEC plus 612 VU 126/3-5, ecoTEC plus 615 VU 156/3-5
ecoTEC plus 618 VU 186/3-5, ecoTEC plus 624 VU 246/3-5
ecoTEC plus 630 VU 306/3-5



02 - 06 - 046.03

06 Heat exchanger

ecoTEC plus 612 VU 126/3-5, ecoTEC plus 615 VU 156/3-5

ecoTEC plus 618 VU 186/3-5, ecoTEC plus 624 VU 246/3-5

ecoTEC plus 630 VU 306/3-5

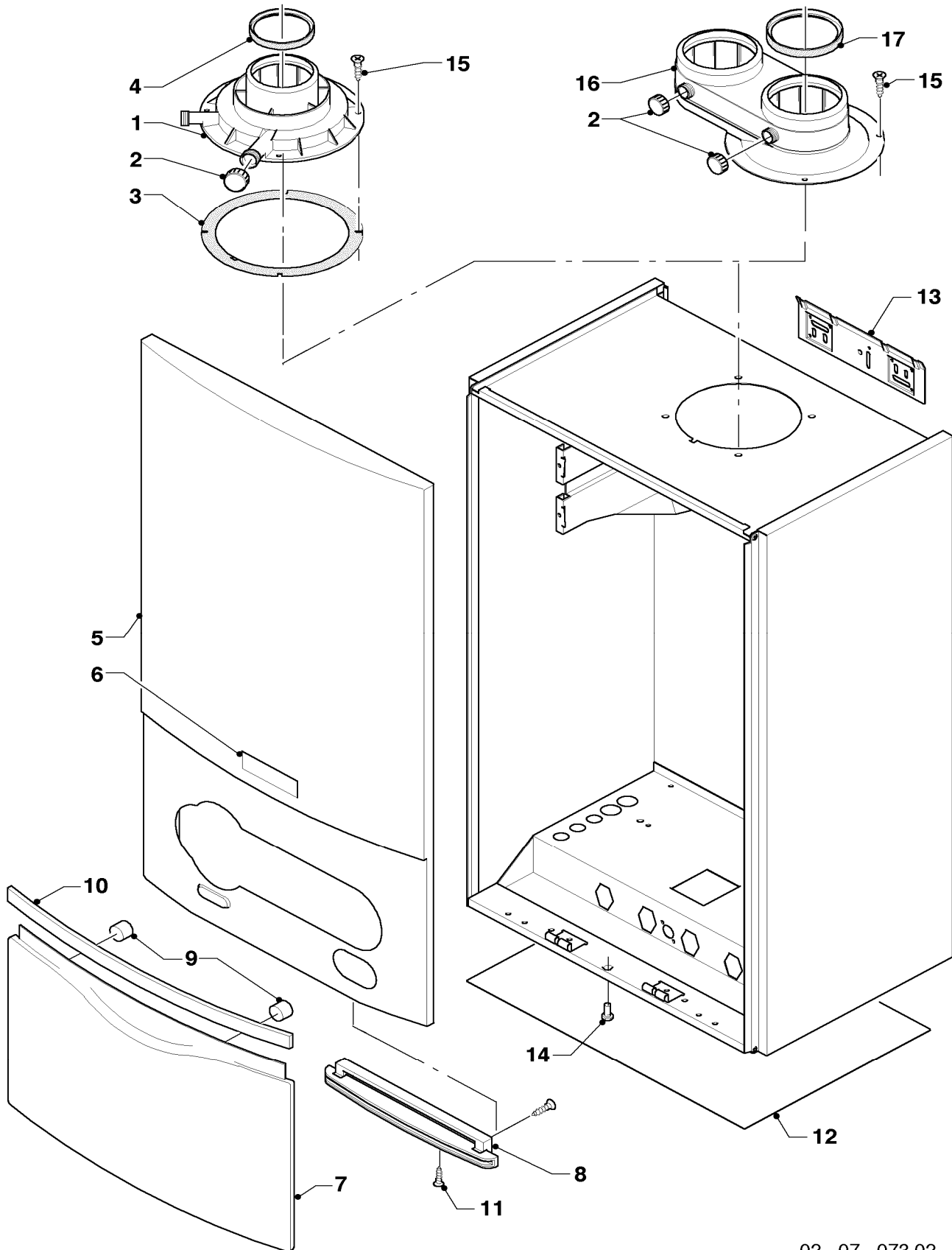
Pos.	Art.-No	Part	Type, note
		02-06-046	
01	103409	Heat exchanger	VU 126/3-5, with parts 02, 03, 04, 05, 06
01	103409	Heat exchanger	VU 156/3-5, with parts 02, 03, 04, 05, 06
01	103409	Heat exchanger	VU 186/3-5, with parts 02, 03, 04, 05, 06
01	103411	Heat exchanger	VU 246/3-5, with parts 02, 03, 04, 05, 06
01	103412	Heat exchanger	VU 306/3-5, with parts 02, 03, 04, 05, 06
01	210779	Insulation	for heat exchanger, not shown
02	981227	Gasket	
03	193595	Insulation	
04	0020038679	Sealing gasket	
05	103415	O-ring (PK10)	
06	103417	Clip (PK10)	
07	-	-	see main component 08a
08	-	-	not available as spare part, see pos. 09
09	180985	Siphonic condensate trap	with part 08
10	180989	Support (PK2)	with part 11
11	178968	Screw (PK10)	
12	-	-	not necessary
13	-	-	not necessary
14	-	-	not necessary
15	0020052332	Cable tree (harness)	

Subject to alteration !

Attention: Please take the gross price from the valid price list !

07 Casing parts

ecoTEC plus 612 VU 126/3-5, ecoTEC plus 615 VU 156/3-5
ecoTEC plus 618 VU 186/3-5, ecoTEC plus 624 VU 246/3-5
ecoTEC plus 630 VU 306/3-5



02 - 07 - 073.02

07 Casing parts

ecoTEC plus 612 VU 126/3-5, ecoTEC plus 615 VU 156/3-5

ecoTEC plus 618 VU 186/3-5, ecoTEC plus 624 VU 246/3-5

ecoTEC plus 630 VU 306/3-5

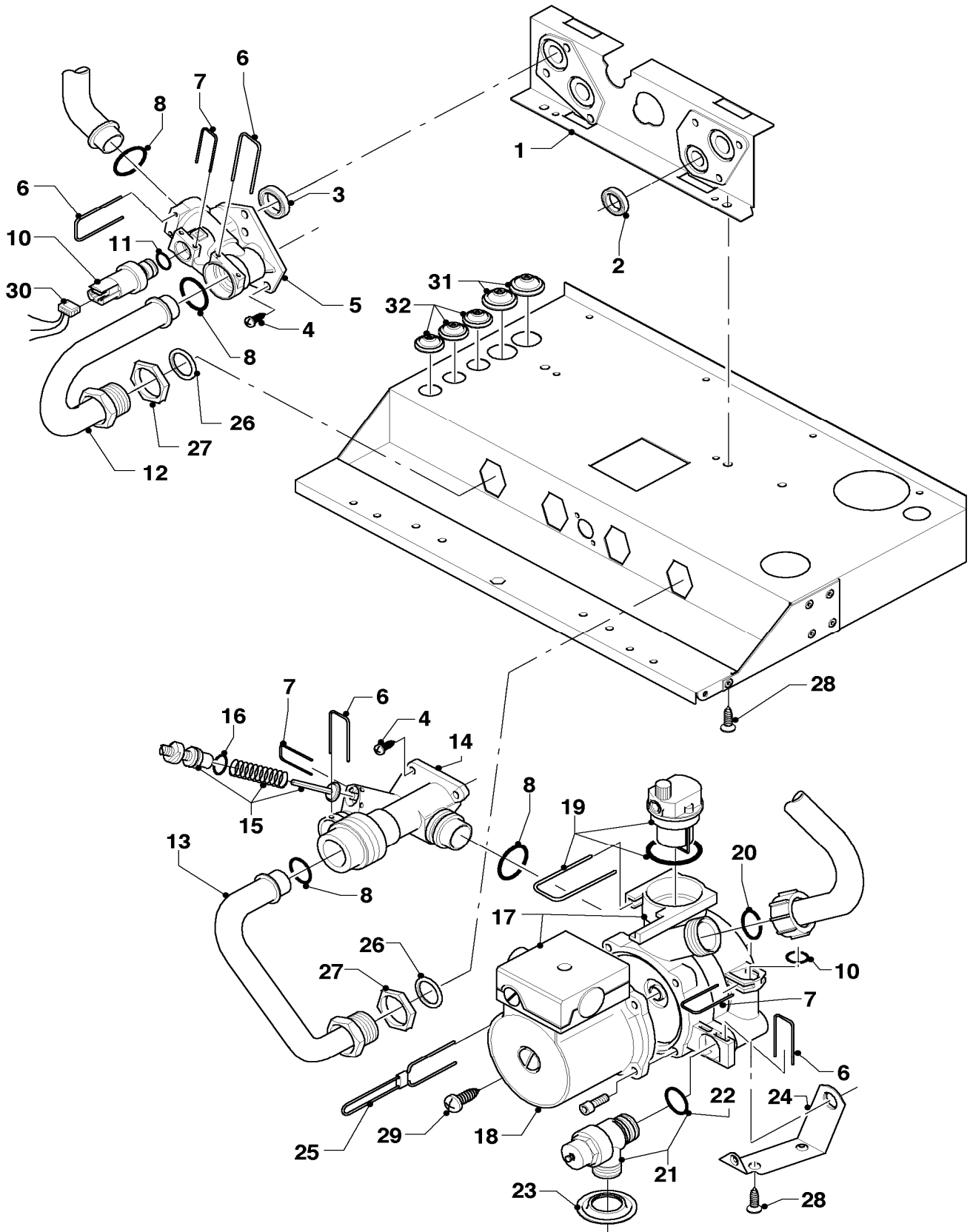
Pos.	Art.-No	Part	Type, note
		02-07-073	
01	180932	Flue adapter 60/100	with parts 02, 03, 04
02	147392	Cap (PK5)	
03	981232	Gasket	
04	981233	Packing ring	
05	180935	Covering	VU 126/3-5, with parts 06, 07, 08, 09, 10, 11
05	180935	Covering	VU 156/3-5, with parts 06, 07, 08, 09, 10, 11
05	180935	Covering	VU 186/3-5, with parts 06, 07, 08, 09, 10, 11
05	180935	Covering	VU 246/3-5, with parts 06, 07, 08, 09, 10, 11
05	180936	Covering	VU 306/3-5, with parts 06, 07, 08, 09, 10, 11
06	118096	Badge	
07	180940	Cover	with parts 09, 10, 11
08	180944	Hinge	with part 11
09	180941	Magnet (PK2)	
10	180942	Handle (white)	
11	193538	Screw (PK10)	
12	180988	Cover	
13	180987	Support	
14	105839	Screw (PK10)	
15	500046	Screw	
16	-	-	not necessary
17	-	-	not necessary

Subject to alteration !

Attention: Please take the gross price from the valid price list !

08 Connection parts (Hydroblock)

ecoTEC plus 612 VU 126/3-5, ecoTEC plus 615 VU 156/3-5
ecoTEC plus 618 VU 186/3-5, ecoTEC plus 624 VU 246/3-5
ecoTEC plus 630 VU 306/3-5



02 - 08 - 121.01

08 Connection parts (Hydroblock)

ecoTEC plus 612 VU 126/3-5, ecoTEC plus 615 VU 156/3-5

ecoTEC plus 618 VU 186/3-5, ecoTEC plus 624 VU 246/3-5

ecoTEC plus 630 VU 306/3-5

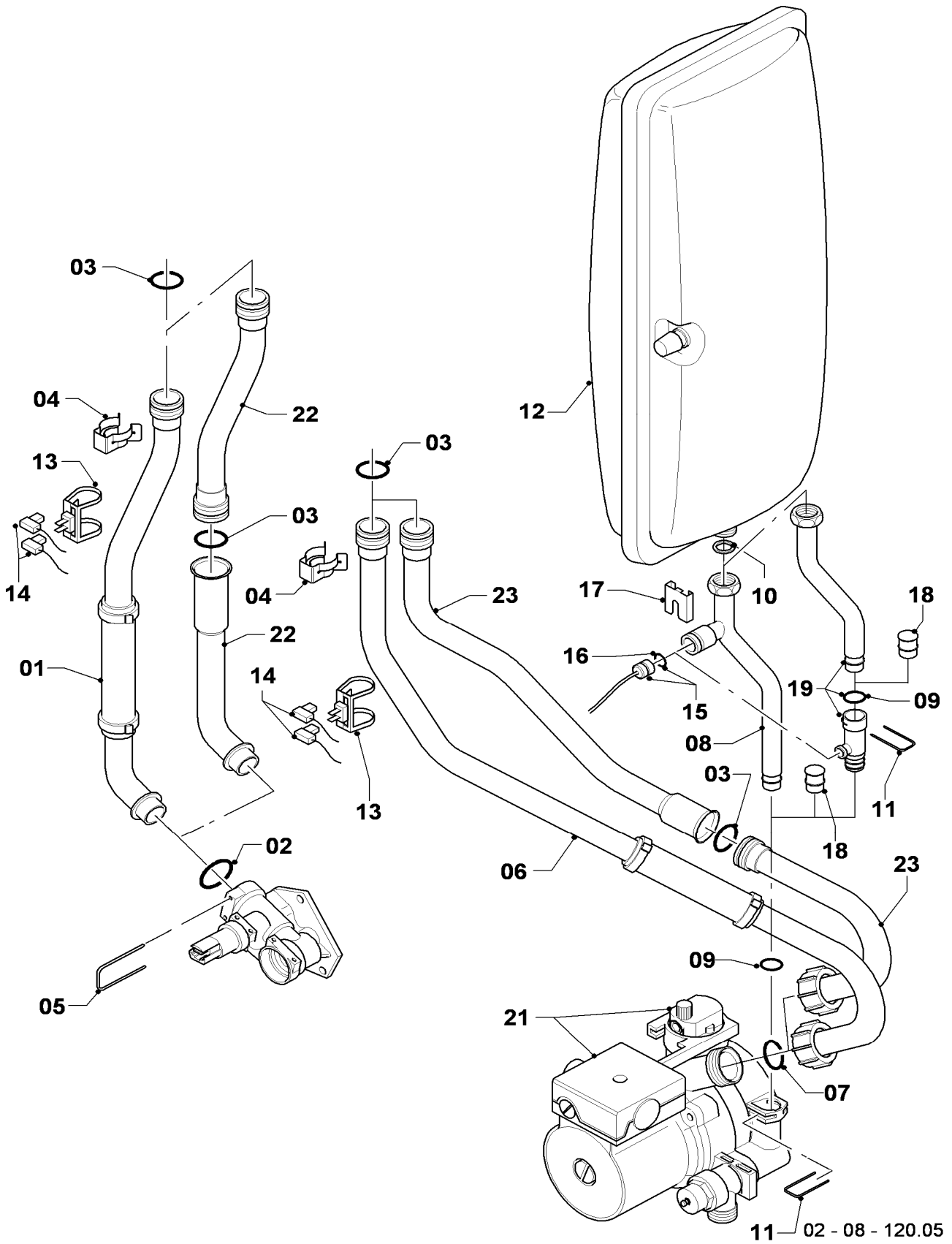
Pos.	Art.-No	Part	Type, note
		02-08-121	
01	509142	Support	with parts 02, 03, 07, 08, 26, 28
02	178969	Washer (PK10)	
03	193535	Washer (PK10)	
04	178967	Screw (PK10)	
05	509143	Connection piece	with parts 03, 04, 06, 07, 08
06	178992	Clip (PK10)	
07	154150	Clip	
08	193537	O-ring (PK10)	
10	0020059717	Sensor water pressure	with parts 06, 11
11	178993	O-ring (PK10)	
12	179033	Pipe	with parts 08, 26
13	180999	Pipe	with parts 08, 26
14	509119	Connection piece	with parts 02, 04, 06, 08, 15
15	178980	Bypass	with part 07
16	193539	O-ring (PK10)	
17	178983	Pump	with parts 02, 06, 08, 10, 19, 20, 21, 29
18	-	-	not available as spare part, see pos. 17
19	104521	Automatic air vent	
20	193539	O-ring (PK10)	
21	178985	Pressure relief valve (3 bar)	with part 06
22	-	-	not available as spare part, see pos. 21
23	980765	Grommet	
24	178984	Support	
25	178981	Clip	
26	981140	Washer (PK10)	
27	193598	Nut (PK4)	
28	235715	Tapping screw ISO 7049	
29	235756	Tapping screw (ST 4,8x19)	
30	193589	Harness	VU 126/3-5
30	193589	Harness	VU 156/3-5
30	193589	Harness	VU 186/3-5
30	193589	Harness	VU 246/3-5
30	193589	Harness	VU 306/3-5
31	509120	Packing ring (PK10)	
32	509121	Packing ring (PK10)	

Subject to alteration !

Attention: Please take the gross price from the valid price list !

08a Connection parts

ecoTEC plus 612 VU 126/3-5, ecoTEC plus 615 VU 156/3-5
ecoTEC plus 618 VU 186/3-5, ecoTEC plus 624 VU 246/3-5
ecoTEC plus 630 VU 306/3-5



08a Connection parts

ecoTEC plus 612 VU 126/3-5, ecoTEC plus 615 VU 156/3-5

ecoTEC plus 618 VU 186/3-5, ecoTEC plus 624 VU 246/3-5

ecoTEC plus 630 VU 306/3-5

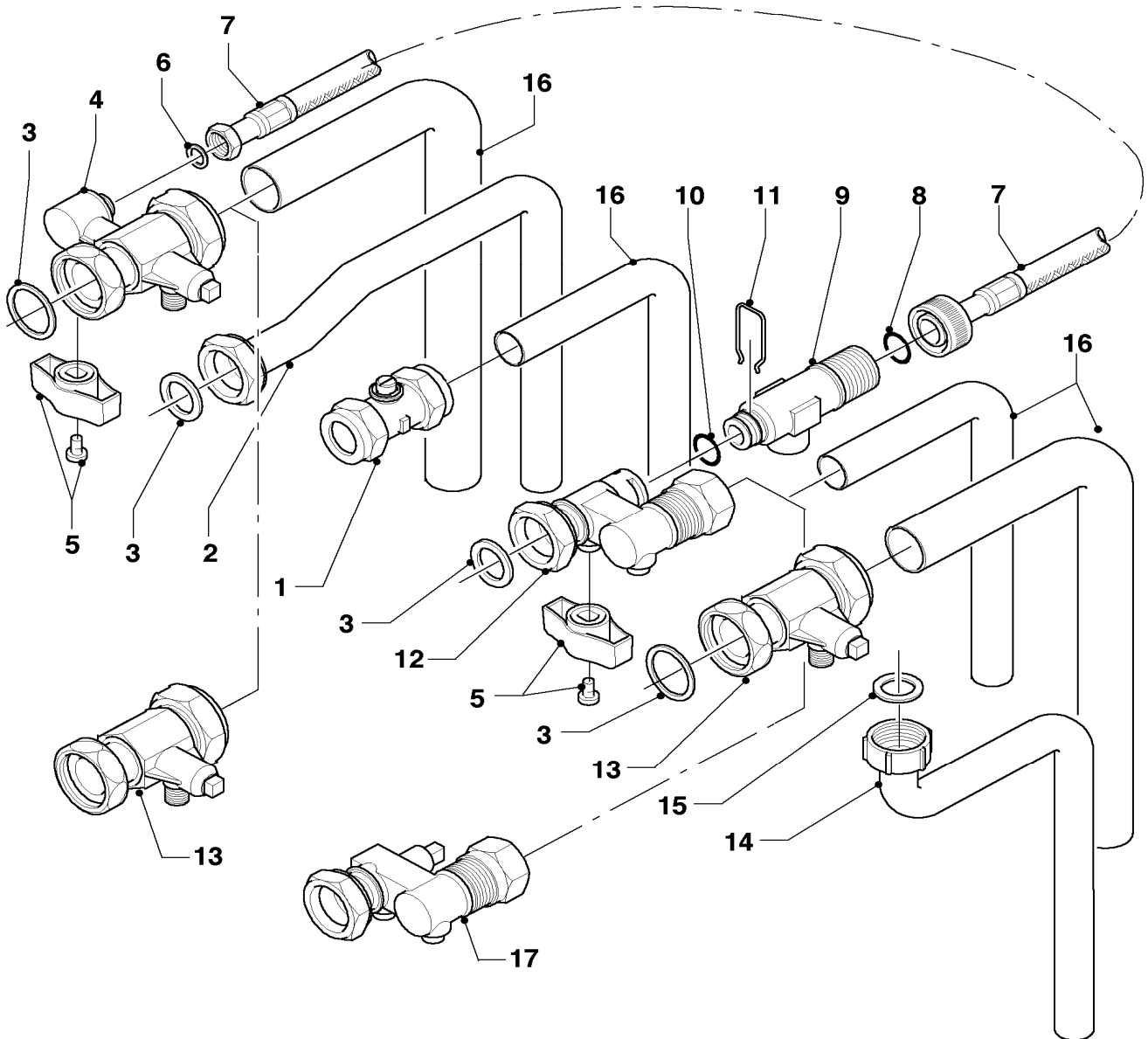
Pos.	Art.-No	Part	Type, note
		02-08-120	
01	-	-	VU 126/3-5, 180946 no longer available, see pict. no. 22
01	-	-	VU 156/3-5, 180946 no longer available, see pict. no. 22
01	-	-	VU 186/3-5, 180946 no longer available, see pict. no. 22
01	-	-	VU 246/3-5, 180946 no longer available, see pict. no. 22
01	-	-	VU 306/3-5, 180947 no longer available, see pict. no. 22
02	193537	O-ring (PK10)	
03	103415	O-ring (PK10)	
04	103417	Clip (PK10)	
05	178992	Clip (PK10)	
06	-	-	180948 no longer available, see pict. no. 23
07	193539	O-ring (PK10)	
08	-	-	no longer available, see pict. no. 19
09	178993	O-ring (PK10)	
10	981149	Washer (PK10)	
11	154150	Clip	
12	181051	Expansion vessel	10 Liter
13	193592	Sensor NTC (CH flow/CH return)	
14	193586	Harness	VU 126/3-5
14	193586	Harness	VU 156/3-5
14	193586	Harness	VU 186/3-5
14	193586	Harness	VU 246/3-5
14	0020025036	Harness	VU 306/3-5
15	180982	Pressure gauge	
16	981155	O-ring (PK10)	
17	085751	Pressure gauge clip	
18	-	-	with parts 16, 17
19	0020025045	Connection tube	with parts 10, 11,16, 17
20	-	-	not necessary
21	178983	Pump	
22	0020068956	Connection tube	VU 126/3-5, with parts 02, 03
22	0020068956	Connection tube	VU 156/3-5, with parts 02, 03
22	0020068956	Connection tube	VU 186/3-5, with parts 02, 03
22	0020068956	Connection tube	VU 246/3-5, with parts 02, 03
22	0020068957	Connection tube	VU 306/3-5, with parts 02, 03
23	0020068958	Connection tube	with parts 02, 07

Subject to alteration !

Attention: Please take the gross price from the valid price list !

08b Connection parts (Acc.)

ecoTEC plus 612 VU 126/3-5, ecoTEC plus 615 VU 156/3-5
ecoTEC plus 618 VU 186/3-5, ecoTEC plus 624 VU 246/3-5
ecoTEC plus 630 VU 306/3-5



02 - 08 - 125.01

08b Connection parts (Acc.)

ecoTEC plus 612 VU 126/3-5, ecoTEC plus 615 VU 156/3-5

ecoTEC plus 618 VU 186/3-5, ecoTEC plus 624 VU 246/3-5

ecoTEC plus 630 VU 306/3-5

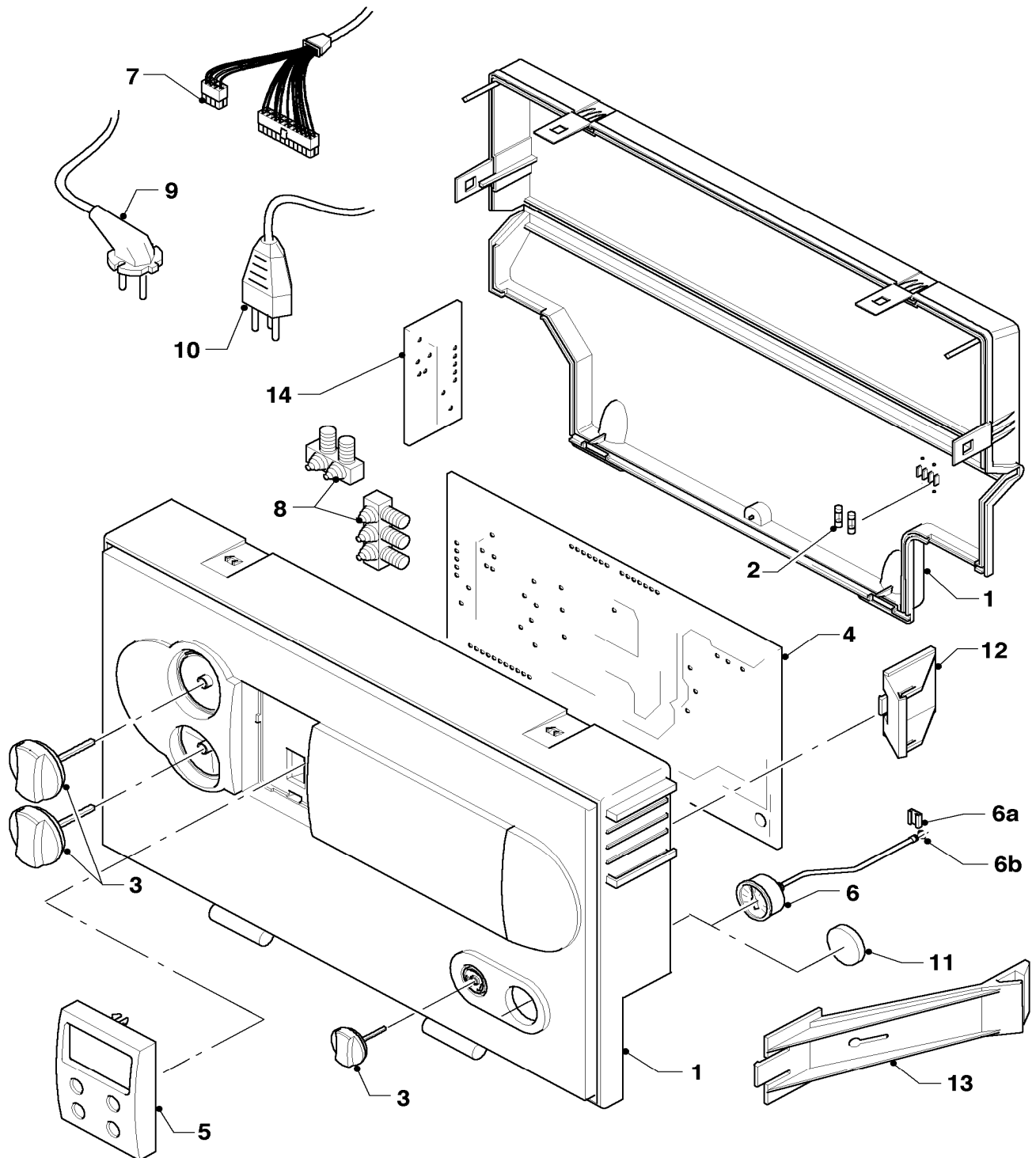
Pos.	Art.-No	Part	Type, note
		02-08-125	
01	082782	Gas shut-off valve	
02	-	-	not necessary
03	981140	Washer (PK10)	
04	-	-	not necessary, see pos. 13
05	-	-	not necessary
06	-	-	not necessary
07	-	-	not necessary
08	-	-	not necessary
09	-	-	not necessary
10	-	-	not necessary
11	-	-	not necessary
12	-	-	not necessary
13	0020010296	Service cock	with part 03
14	0020010297	Pipe	with part 15
15	0020010298	Washer (PK10)	
16	-	-	not available as spare part
17	-	-	not necessary

Subject to alteration !

Attention: Please take the gross price from the valid price list !

12 Control box

ecoTEC plus 612 VU 126/3-5, ecoTEC plus 615 VU 156/3-5
ecoTEC plus 618 VU 186/3-5, ecoTEC plus 624 VU 246/3-5
ecoTEC plus 630 VU 306/3-5



02 - 12 - 046.02

12 Control box

ecoTEC plus 612 VU 126/3-5, ecoTEC plus 615 VU 156/3-5

ecoTEC plus 618 VU 186/3-5, ecoTEC plus 624 VU 246/3-5

ecoTEC plus 630 VU 306/3-5

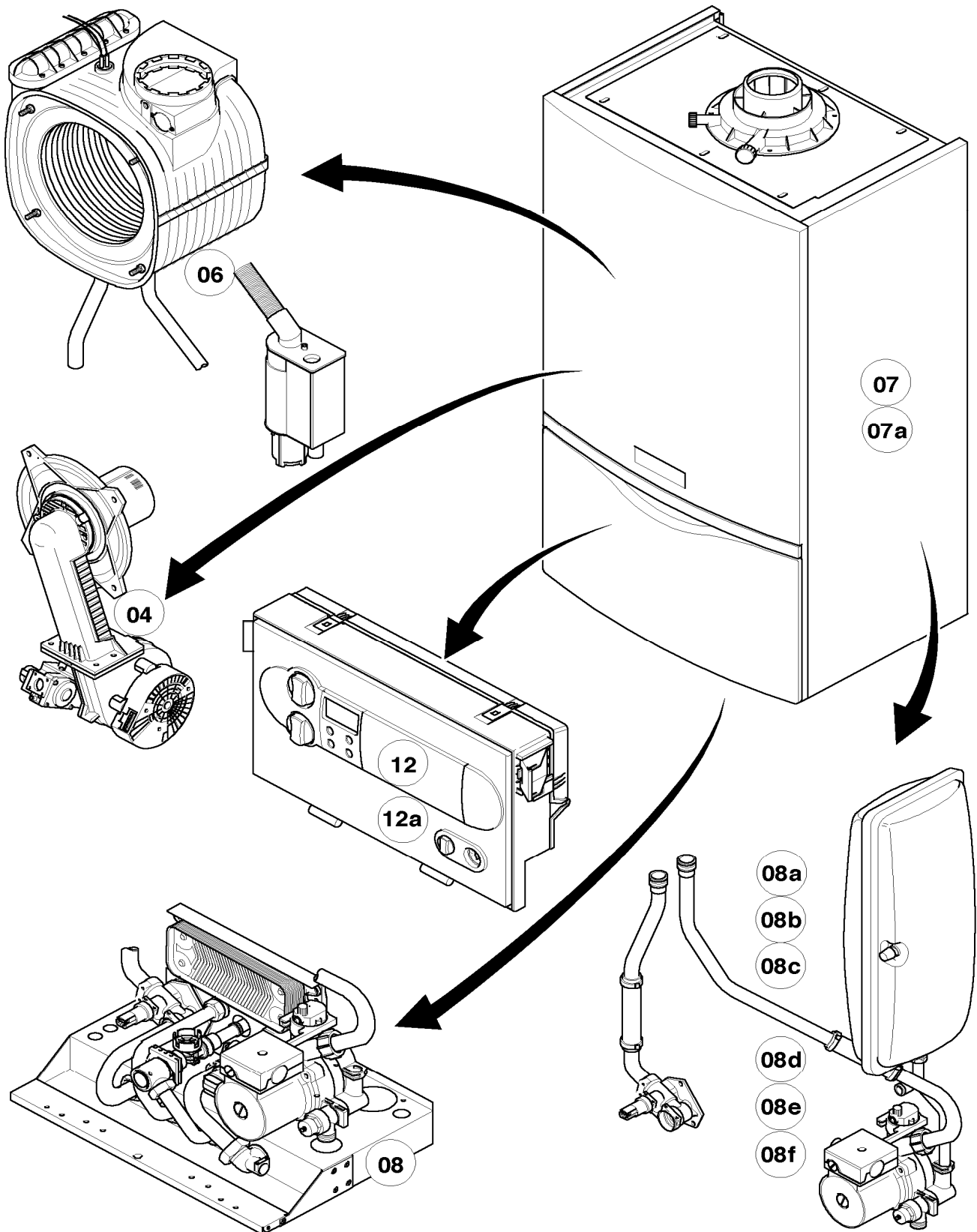
Pos.	Art.-No	Part	Type, note
		02-12-046	
01	193582	Casing	with parts 02, 03
02	251955	Fuse 2.0A T (PK10)	2.0 AT
03	117319	Knobs grey (PK3)	
04	0020052093	Printed circuit	with part 02
05	0020056561	Display (grey)	
06	180982	Pressure gauge	
06a	085751	Pressure gauge clip	
06b	981155	O-ring (PK10)	
07	193586	Harness	VU 126/3-5, appliance
07	193586	Harness	VU 156/3-5, appliance
07	193586	Harness	VU 186/3-5, appliance
07	193586	Harness	VU 246/3-5, appliance
07	0020025036	Harness	VU 306/3-5, appliance
07	0020025036	Harness	VU 376/3-5, appliance
07	193589	Harness	VU 126/3-5, hydraulik
07	193589	Harness	VU 156/3-5, hydraulik
07	193589	Harness	VU 186/3-5, hydraulik
07	193589	Harness	VU 246/3-5, hydraulik
07	193589	Harness	VU 306/3-5, hydraulik
08	078533	Cable fixation	
09	-	-	not necessary
10	-	-	not necessary
11	-	-	not necessary
12	193583	Support	VU 126/3-5
12	193583	Support	VU 156/3-5
12	193583	Support	VU 186/3-5
12	193583	Support	VU 246/3-5
12	193584	Support	VU 306/3-5
13	-	-	not necessary
14	-	-	not necessary

Subject to alteration !

Attention: Please take the gross price from the valid price list !

General view of sheet

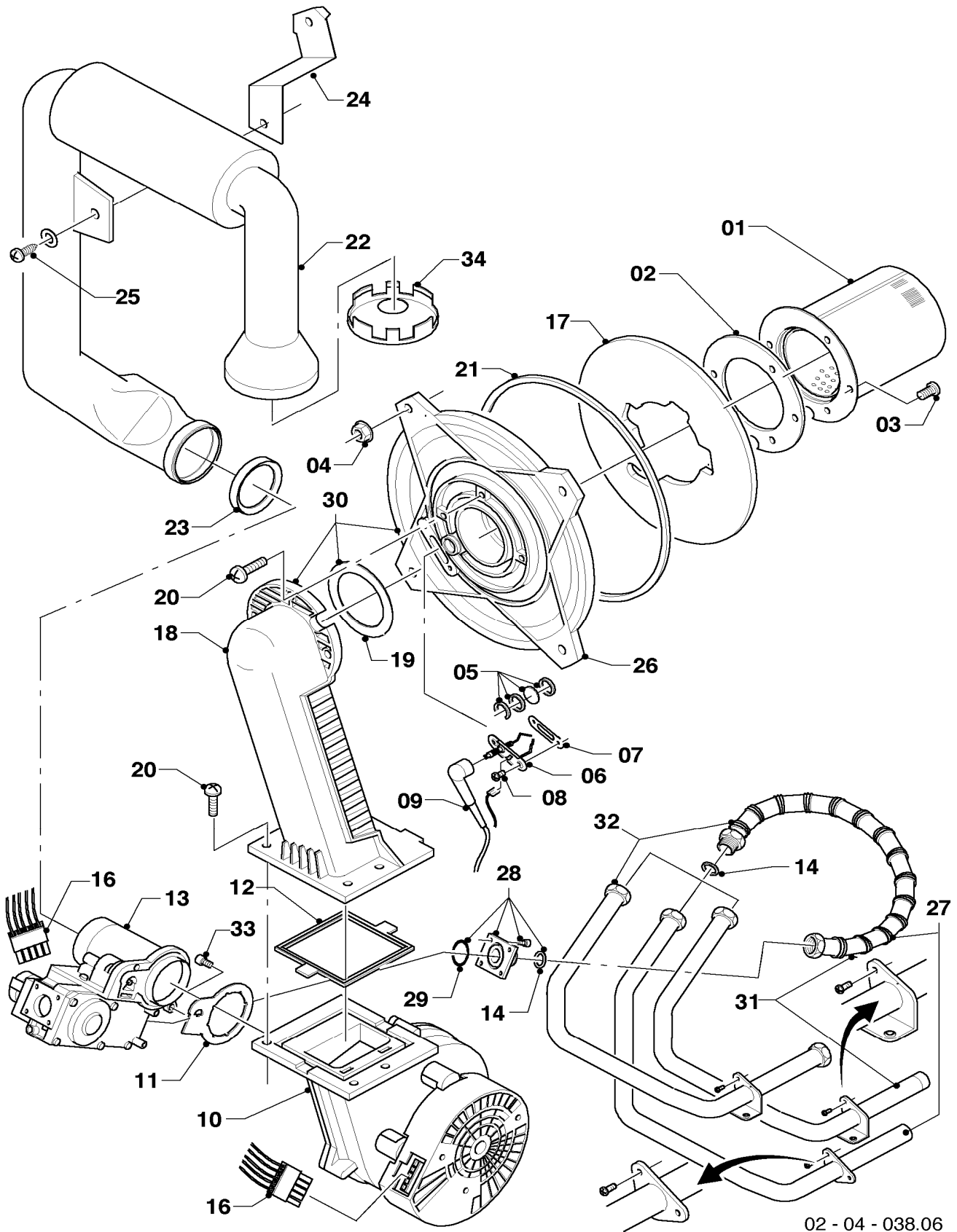
ecoTEC plus 612 VU 126/3-5 R1, ecoTEC plus 615 VU 156/3-5 R1
ecoTEC plus 618 VU 186/3-5 R1, ecoTEC plus 624 VU 246/3-5 R1
ecoTEC plus 630 VU 306/3-5 R1, ecoTEC plus 637 VU 376/3-5 R1



02 - 00 - 077.04

04 Burner

ecoTEC plus 612 VU 126/3-5 R1, ecoTEC plus 615 VU 156/3-5 R1
ecoTEC plus 618 VU 186/3-5 R1, ecoTEC plus 624 VU 246/3-5 R1
ecoTEC plus 630 VU 306/3-5 R1, ecoTEC plus 637 VU 376/3-5 R1



02 - 04 - 038.06

04 Burner

ecoTEC plus 612 VU 126/3-5 R1, ecoTEC plus 615 VU 156/3-5 R1

ecoTEC plus 618 VU 186/3-5 R1, ecoTEC plus 624 VU 246/3-5 R1

ecoTEC plus 630 VU 306/3-5 R1, ecoTEC plus 637 VU 376/3-5 R1

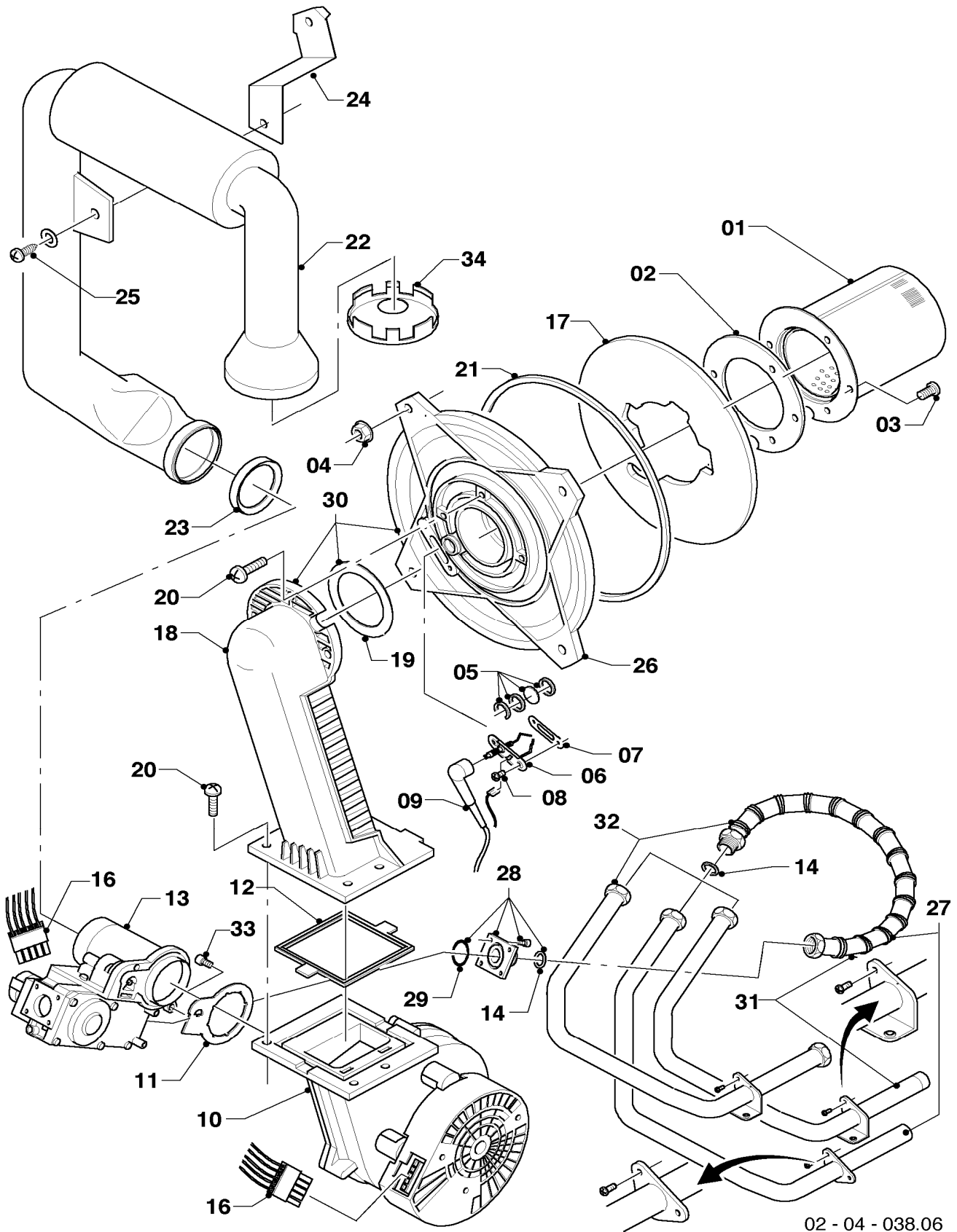
Pos.	Art.-No	Part	Type, note
		02-04-038	
00	0020010641	Conversion set	H -> P (not shown)
00	0020010642	Conversion set	P -> H (not shown)
01	048943	Burner	VU 126/3-5 R1, with parts 02, 03
01	048943	Burner	VU 156/3-5 R1, with parts 02, 03
01	049324	Burner	VU 186/3-5 R1, with parts 02, 03
01	049345	Burner	VU 246/3-5 R1, with parts 02, 03
01	050430	Burner	VU 306/3-5 R1, with parts 02, 03
01	050430	Burner	VU 376/3-5 R1, with parts 02, 03
02	981103	Sealing ring	
03	105900	Screw (PK10)	
04	0020026537	Nut M6 (PK5)	
05	161245	Inspection glass	
06	090709	Ignition/monitoring electrode	
07	980961	Gasket electrode	
08	118883	Flat head screw ISO 7045	
09	193590	Ignition cable	
10	193593	Fan	with parts 11, 12
11	981104	Gasket	
12	193594	Packing ring	
13	053488	Gas section	VU 126/3-5 R1, with parts 11, 14, 29
13	053488	Gas section	VU 156/3-5 R1, with parts 11, 14, 29
13	053470	Gas section	VU 186/3-5 R1, with parts 11, 14, 29
13	053471	Gas section	VU 246/3-5 R1, with parts 11, 14, 29
13	053500	Gas section	VU 306/3-5 R1, with parts 11, 14, 29
13	053500	Gas section	VU 376/3-5 R1, with parts 11, 14, 29
14	981142	Washer (PK10)	
16	193586	Harness	VU 126/3-5 R1
16	193586	Harness	VU 156/3-5 R1
16	193586	Harness	VU 186/3-5 R1
16	193586	Harness	VU 246/3-5 R1
16	0020025036	Harness	VU 306/3-5 R1
16	0020025036	Harness	VU 376/3-5 R1
17	193595	Insulation	with parts 02, 03
18	-	-	not available as spare part, see pos. 30
19	981107	Packing ring	
20	193597	Screw (PK10)	
21	0020038679	Sealing gasket	
22	193599	Air inlet duct	VU 126/3-5 R1, with part 23
22	193599	Air inlet duct	VU 156/3-5 R1, with part 23
22	193599	Air inlet duct	VU 186/3-5 R1, with part 23
22	103404	Air inlet duct	VU 246/3-5 R1, with part 23
22	103404	Air inlet duct	VU 306/3-5 R1, with part 23
22	0020025039	Air inlet duct	VU 376/3-5 R1, with part 23
23	981111	Packing ring	
24	103405	Support	
25	235756	Tapping screw (ST 4,8x19)	
26	-	-	not available as spare part, see pos. 30
27	180945	Gas pipe	until 01/07 (with part 28)
28	0020010868	Adaptor piece (gas valve)	
29	982319	O-ring	

Subject to alteration !

Attention: Please take the gross price from the valid price list !

04 Burner

ecoTEC plus 612 VU 126/3-5 R1, ecoTEC plus 615 VU 156/3-5 R1
ecoTEC plus 618 VU 186/3-5 R1, ecoTEC plus 624 VU 246/3-5 R1
ecoTEC plus 630 VU 306/3-5 R1, ecoTEC plus 637 VU 376/3-5 R1



02 - 04 - 038.06

04 Burner

ecoTEC plus 612 VU 126/3-5 R1, ecoTEC plus 615 VU 156/3-5 R1

ecoTEC plus 618 VU 186/3-5 R1, ecoTEC plus 624 VU 246/3-5 R1

ecoTEC plus 630 VU 306/3-5 R1, ecoTEC plus 637 VU 376/3-5 R1

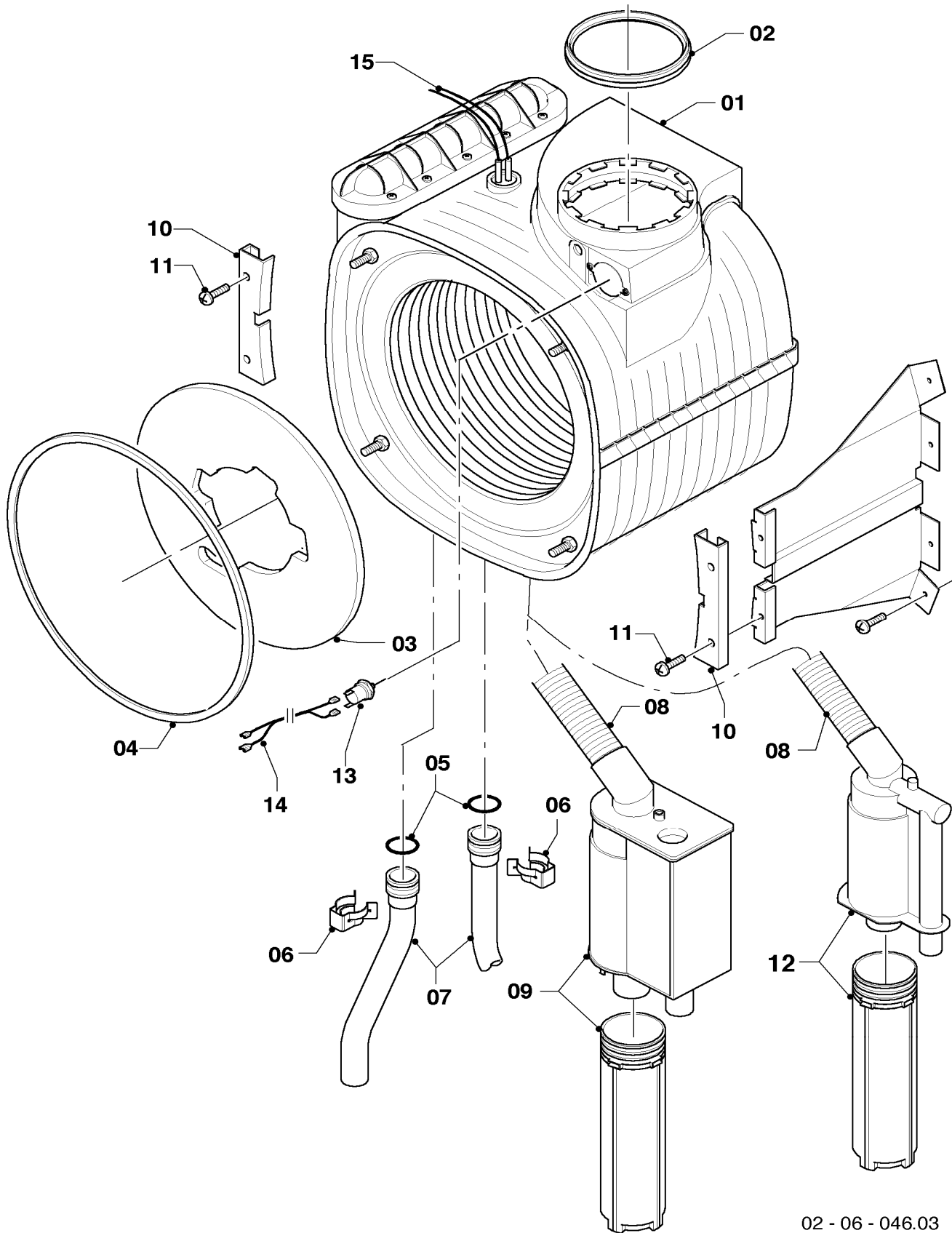
Pos.	Art.-No	Part	Type, note
		02-04-038	
30	0020010867	Flange (set)	with parts 02 - 05, 07, 08, 12, 14, 17 - 19, 20, 21, 26
31	0020046863	Gas pipe	from 02/07 (with part 28)
32	-	-	not necessary
33	509685	Screw (PK10)	
34	-	-	not necessary

Subject to alteration !

Attention: Please take the gross price from the valid price list !

06 Heat exchanger

ecoTEC plus 612 VU 126/3-5 R1, ecoTEC plus 615 VU 156/3-5 R1
ecoTEC plus 618 VU 186/3-5 R1, ecoTEC plus 624 VU 246/3-5 R1
ecoTEC plus 630 VU 306/3-5 R1, ecoTEC plus 637 VU 376/3-5 R1



02 - 06 - 046.03

06 Heat exchanger

ecoTEC plus 612 VU 126/3-5 R1, ecoTEC plus 615 VU 156/3-5 R1

ecoTEC plus 618 VU 186/3-5 R1, ecoTEC plus 624 VU 246/3-5 R1

ecoTEC plus 630 VU 306/3-5 R1, ecoTEC plus 637 VU 376/3-5 R1

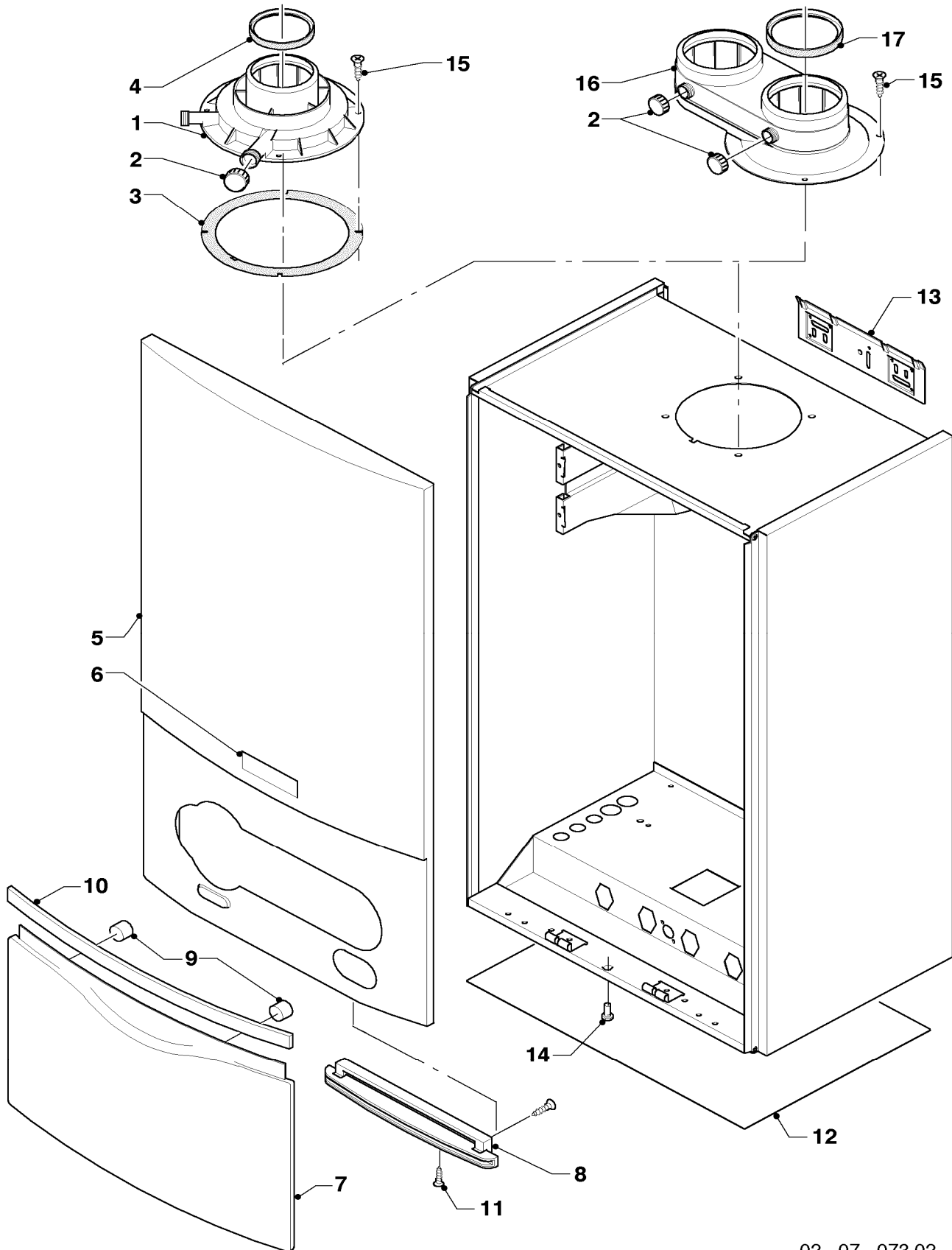
Pos.	Art.-No	Part	Type, note
		02-06-046	
01	0020018181	Heat exchanger	VU 126/3-5 R1, with parts 02, 03, 04, 05, 06
01	0020018181	Heat exchanger	VU 156/3-5 R1, with parts 02, 03, 04, 05, 06
01	0020018181	Heat exchanger	VU 186/3-5 R1, with parts 02, 03, 04, 05, 06
01	0020018182	Heat exchanger	VU 246/3-5 R1, with parts 02, 03, 04, 05, 06
01	0020018183	Heat exchanger	VU 306/3-5 R1, with parts 02, 03, 04, 05, 06
01	0020025040	Heat exchanger	VU 376/3-5 R1, with parts 02, 03, 04, 05, 06
01	210779	Insulation	for heat exchanger, not shown
02	981227	Gasket	
03	193595	Insulation	
04	0020038679	Sealing gasket	
05	103415	O-ring (PK10)	
06	103417	Clip (PK10)	
07	-	-	see main component 08a
08	-	-	not available as spare part, see pos. 09
09	180985	Siphonic condensate trap	with part 08
10	180989	Support (PK2)	with part 11
11	178968	Screw (PK10)	
12	-	-	not necessary
13	-	-	not necessary
14	-	-	not necessary
15	0020052332	Cable tree (harness)	

Subject to alteration !

Attention: Please take the gross price from the valid price list !

07 Casing parts

ecoTEC plus 612 VU 126/3-5 R1, ecoTEC plus 615 VU 156/3-5 R1
ecoTEC plus 618 VU 186/3-5 R1, ecoTEC plus 624 VU 246/3-5 R1
ecoTEC plus 630 VU 306/3-5 R1, ecoTEC plus 637 VU 376/3-5 R1



02 - 07 - 073.02

07 Casing parts

ecoTEC plus 612 VU 126/3-5 R1, ecoTEC plus 615 VU 156/3-5 R1

ecoTEC plus 618 VU 186/3-5 R1, ecoTEC plus 624 VU 246/3-5 R1

ecoTEC plus 630 VU 306/3-5 R1, ecoTEC plus 637 VU 376/3-5 R1

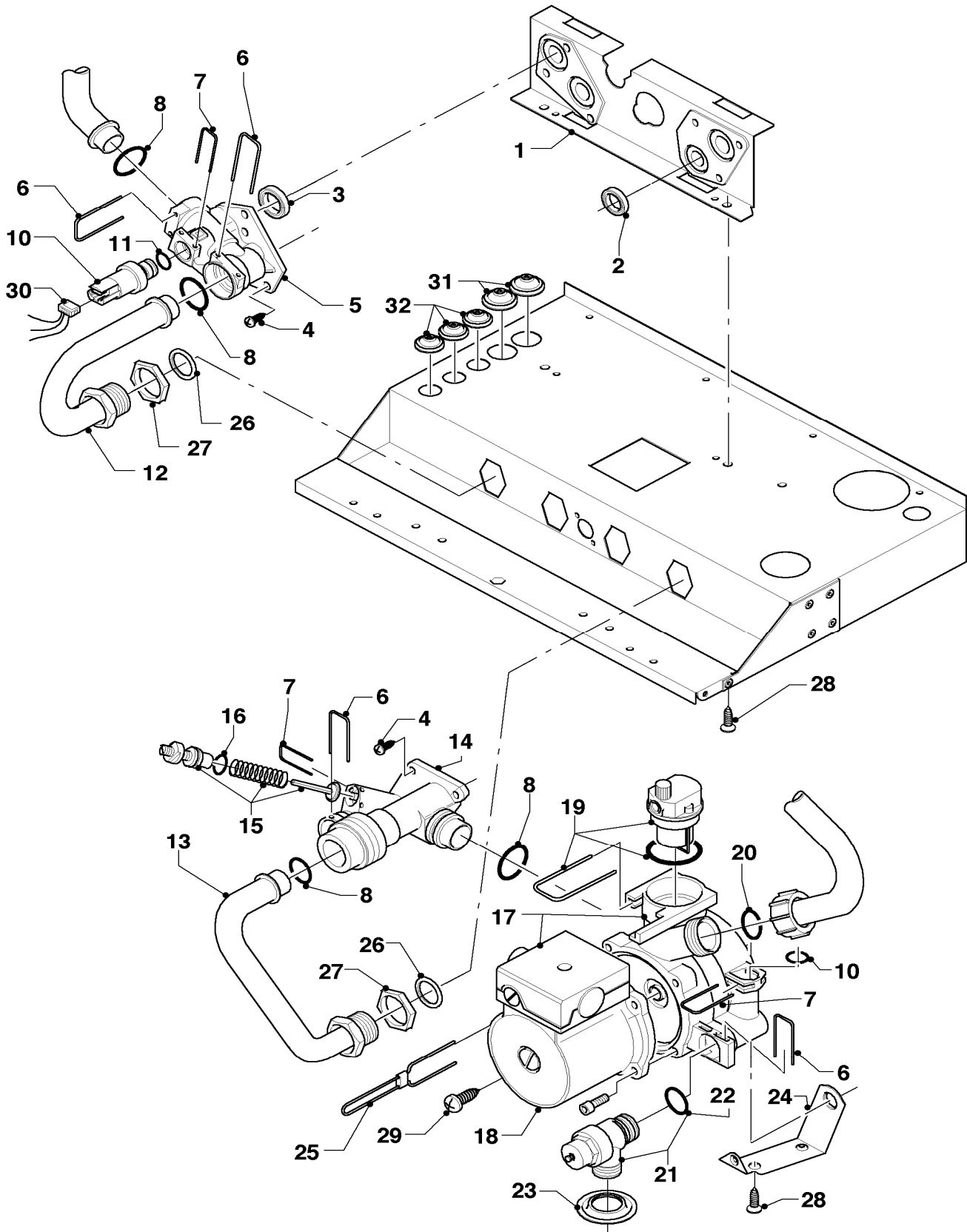
Pos.	Art.-No	Part	Type, note
		02-07-073	
01	180932	Flue adapter 60/100	with parts 02, 03, 04
02	147392	Cap (PK5)	
03	981232	Gasket	
04	981233	Packing ring	
05	180935	Covering	VU 126/3-5 R1, with parts 06, 07, 08, 09, 10, 11
05	180935	Covering	VU 156/3-5 R1, with parts 06, 07, 08, 09, 10, 11
05	180935	Covering	VU 186/3-5 R1, with parts 06, 07, 08, 09, 10, 11
05	180935	Covering	VU 246/3-5 R1, with parts 06, 07, 08, 09, 10, 11
05	180936	Covering	VU 306/3-5 R1, with parts 06, 07, 08, 09, 10, 11
05	180937	Covering	VU 376/3-5 R1, with parts 06, 07, 08, 09, 10, 11
06	118096	Badge	
07	180940	Cover	with parts 09, 10, 11
08	180944	Hinge	with part 11
09	180941	Magnet (PK2)	
10	180942	Handle (white)	
11	193538	Screw (PK10)	
12	180988	Cover	
13	180987	Support	
14	105839	Screw (PK10)	
15	500046	Screw	
16	-	-	not necessary
17	-	-	not necessary

Subject to alteration !

Attention: Please take the gross price from the valid price list !

08 Connection parts (Hydroblock)

ecoTEC plus 612 VU 126/3-5 R1, ecoTEC plus 615 VU 156/3-5 R1
ecoTEC plus 618 VU 186/3-5 R1, ecoTEC plus 624 VU 246/3-5 R1
ecoTEC plus 630 VU 306/3-5 R1, ecoTEC plus 637 VU 376/3-5 R1



02 - 08 - 121.01

08 Connection parts (Hydroblock)

ecoTEC plus 612 VU 126/3-5 R1, ecoTEC plus 615 VU 156/3-5 R1

ecoTEC plus 618 VU 186/3-5 R1, ecoTEC plus 624 VU 246/3-5 R1

ecoTEC plus 630 VU 306/3-5 R1, ecoTEC plus 637 VU 376/3-5 R1

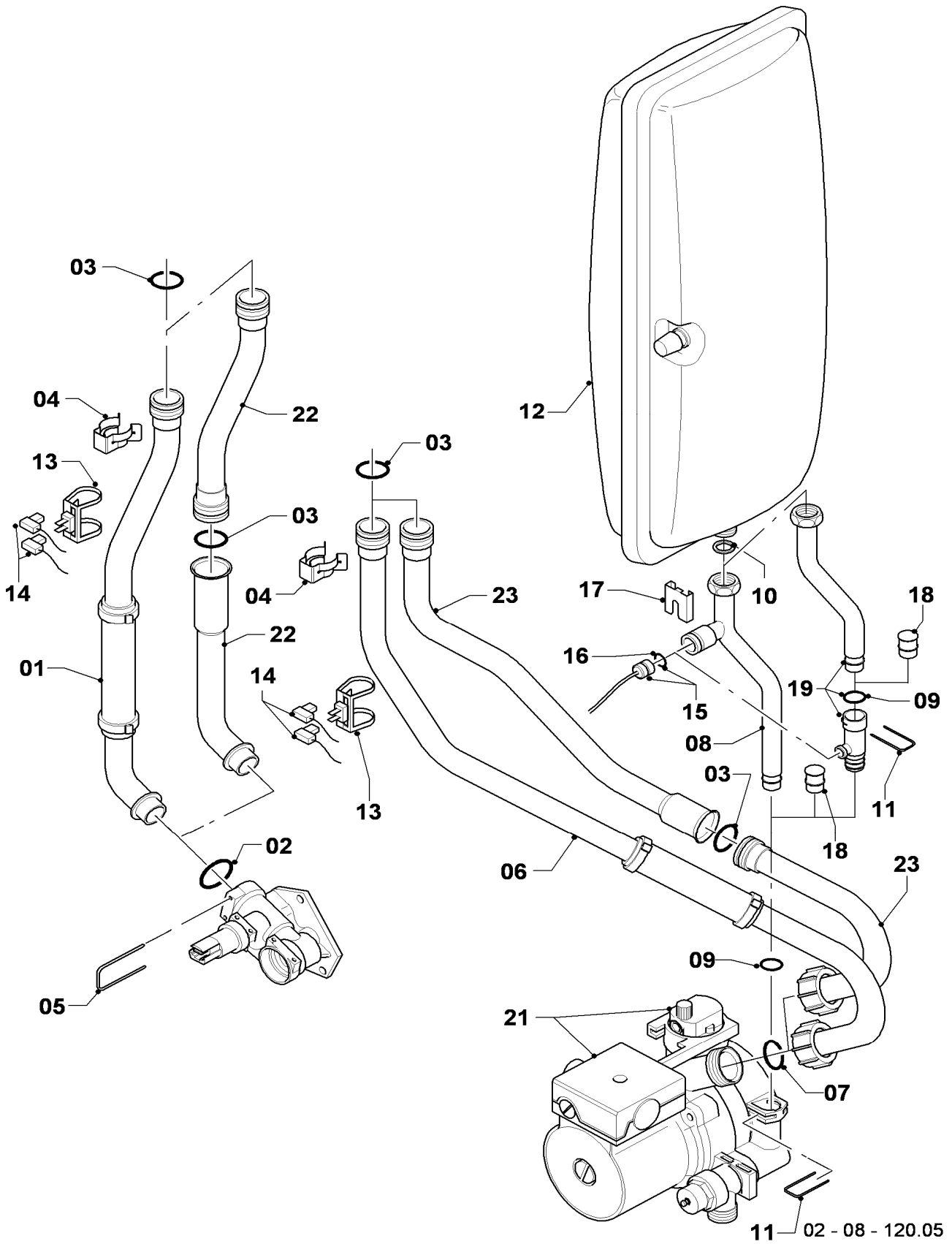
Pos.	Art.-No	Part	Type, note
		02-08-121	
01	509142	Support	with parts 02, 03, 07, 08, 26, 28
02	178969	Washer (PK10)	
03	193535	Washer (PK10)	
04	178967	Screw (PK10)	
05	509143	Connection piece	with parts 03, 04, 06, 07, 08
06	178992	Clip (PK10)	
07	154150	Clip	
08	193537	O-ring (PK10)	
10	0020059717	Sensor water pressure	with parts 06, 11
11	178993	O-ring (PK10)	
12	179033	Pipe	with parts 08, 26
13	180999	Pipe	with parts 08, 26
14	509119	Connection piece	with parts 02, 04, 06, 08, 15
15	178980	Bypass	with part 07
16	193539	O-ring (PK10)	
17	178983	Pump	VU 126/3-5 R1, with parts 02, 06, 08, 10, 19, 20, 21, 29
17	178983	Pump	VU 156/3-5 R1, with parts 02, 06, 08, 10, 19, 20, 21, 29
17	178983	Pump	VU 186/3-5 R1, with parts 02, 06, 08, 10, 19, 20, 21, 29
17	178983	Pump	VU 246/3-5 R1, with parts 02, 06, 08, 10, 19, 20, 21, 29
17	178983	Pump	VU 306/3-5 R1, with parts 02, 06, 08, 10, 19, 20, 21, 29
17	0020025042	Pump	VU 376/3-5 R1, with parts 02, 06, 08, 10, 19, 20, 21, 29
18	-	-	not available as spare part, see pos. 17
19	104521	Automatic air vent	
20	193539	O-ring (PK10)	
21	178985	Pressure relief valve (3 bar)	with part 06
22	-	-	not available as spare part, see pos. 21
23	980765	Grommet	
24	178984	Support	
25	178981	Clip	
26	981140	Washer (PK10)	
27	193598	Nut (PK4)	
28	235715	Tapping screw ISO 7049	
29	235756	Tapping screw (ST 4,8x19)	
30	193589	Harness	VU 126/3-5 R1
30	193589	Harness	VU 156/3-5 R1
30	193589	Harness	VU 186/3-5 R1
30	193589	Harness	VU 246/3-5 R1
30	193589	Harness	VU 306/3-5 R1
30	0020025037	Harness	VU 376/3-5 R1
31	509120	Packing ring (PK10)	
32	509121	Packing ring (PK10)	

Subject to alteration !

Attention: Please take the gross price from the valid price list !

08a Connection parts

ecoTEC plus 612 VU 126/3-5 R1, ecoTEC plus 615 VU 156/3-5 R1
ecoTEC plus 618 VU 186/3-5 R1, ecoTEC plus 624 VU 246/3-5 R1
ecoTEC plus 630 VU 306/3-5 R1, ecoTEC plus 637 VU 376/3-5 R1



08a Connection parts

ecoTEC plus 612 VU 126/3-5 R1, ecoTEC plus 615 VU 156/3-5 R1

ecoTEC plus 618 VU 186/3-5 R1, ecoTEC plus 624 VU 246/3-5 R1

ecoTEC plus 630 VU 306/3-5 R1, ecoTEC plus 637 VU 376/3-5 R1

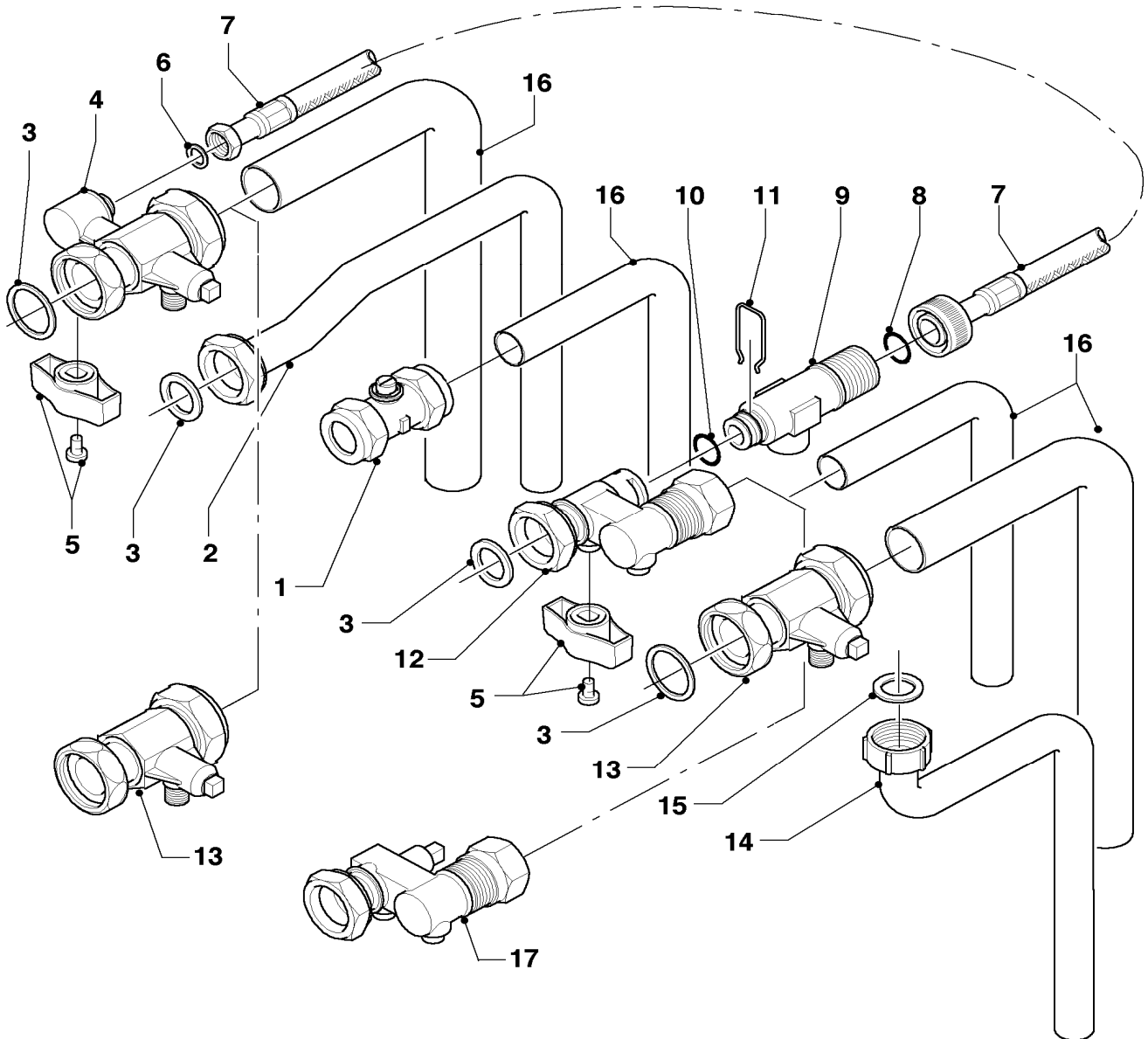
Pos.	Art.-No	Part	Type, note
		02-08-120	
01	-	-	VU 126/3-5 R1, 180946 no longer available, see pict. no. 22
01	-	-	VU 156/3-5 R1, 180946 no longer available, see pict. no. 22
01	-	-	VU 186/3-5 R1, 180946 no longer available, see pict. no. 22
01	-	-	VU 246/3-5 R1, 180946 no longer available, see pict. no. 22
01	-	-	VU 306/3-5 R1, 180947 no longer available, see pict. no. 22
02	193537	O-ring (PK10)	
03	103415	O-ring (PK10)	
04	103417	Clip (PK10)	
05	178992	Clip (PK10)	
06	-	-	180948 no longer available, see pict. no. 23
07	193539	O-ring (PK10)	
08	-	-	no longer available, see pict. no. 19
09	178993	O-ring (PK10)	
10	981149	Washer (PK10)	
11	154150	Clip	
12	181051	Expansion vessel	10 Liter
13	193592	Sensor NTC (CH flow/CH return)	
14	193586	Harness	VU 126/3-5 R1
14	193586	Harness	VU 156/3-5 R1
14	193586	Harness	VU 186/3-5 R1
14	193586	Harness	VU 246/3-5 R1
14	0020025036	Harness	VU 306/3-5 R1
14	0020025036	Harness	VU 376/3-5 R1
15	180982	Pressure gauge	
16	981155	O-ring (PK10)	
17	085751	Pressure gauge clip	
18	-	-	not necessary
19	0020025045	Connection tube	with parts 10, 11,16, 17
20	-	-	not necessary
21	178983	Pump	VU 126/3-5 R1
21	178983	Pump	VU 156/3-5 R1
21	178983	Pump	VU 186/3-5 R1
21	178983	Pump	VU 246/3-5 R1
21	178983	Pump	VU 306/3-5 R1
21	0020025042	Pump	VU 376/3-5 R1
22	0020068956	Connection tube	VU 126/3-5 R1, with parts 02, 03
22	0020068956	Connection tube	VU 156/3-5 R1, with parts 02, 03
22	0020068956	Connection tube	VU 186/3-5 R1, with parts 02, 03
22	0020068956	Connection tube	VU 246/3-5 R1, with parts 02, 03
22	0020068957	Connection tube	VU 306/3-5 R1, with parts 02, 03
23	0020068958	Connection tube	with parts 02, 07

Subject to alteration !

Attention: Please take the gross price from the valid price list !

08b Connection parts (Acc.)

ecoTEC plus 612 VU 126/3-5 R1, ecoTEC plus 615 VU 156/3-5 R1
ecoTEC plus 618 VU 186/3-5 R1, ecoTEC plus 624 VU 246/3-5 R1
ecoTEC plus 630 VU 306/3-5 R1, ecoTEC plus 637 VU 376/3-5 R1



02 - 08 - 125.01

08b Connection parts (Acc.)

ecoTEC plus 612 VU 126/3-5 R1, ecoTEC plus 615 VU 156/3-5 R1

ecoTEC plus 618 VU 186/3-5 R1, ecoTEC plus 624 VU 246/3-5 R1

ecoTEC plus 630 VU 306/3-5 R1, ecoTEC plus 637 VU 376/3-5 R1

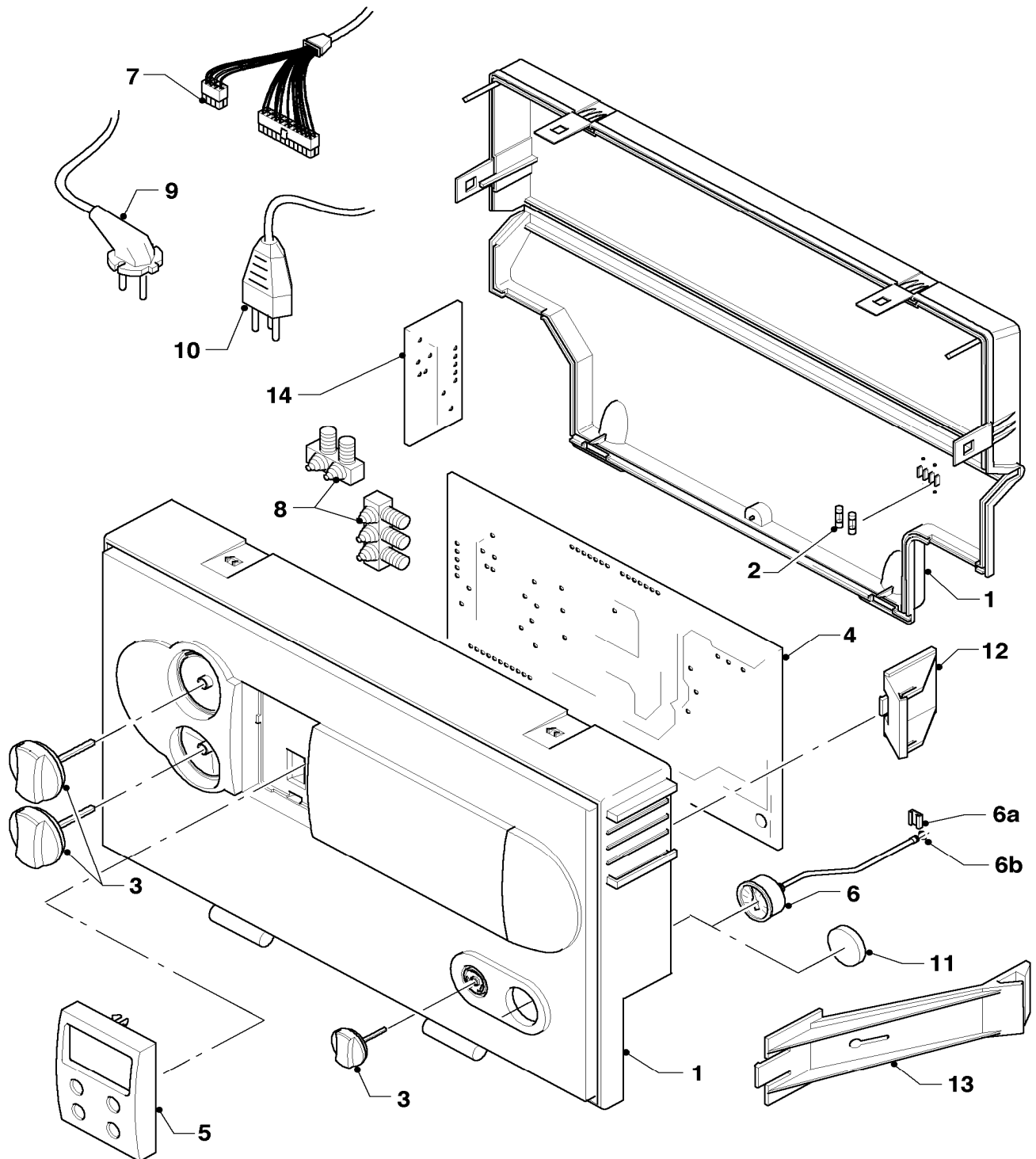
Pos.	Art.-No	Part	Type, note
		02-08-125	
01	082782	Gas shut-off valve	VU 126/3-5 R1
01	082782	Gas shut-off valve	VU 156/3-5 R1
01	082782	Gas shut-off valve	VU 186/3-5 R1
01	082782	Gas shut-off valve	VU 246/3-5 R1
01	082782	Gas shut-off valve	VU 306/3-5 R1
01	082794	Gas shut-off valve 36kW	VU 376/3-5 R1
02	-	-	not necessary
03	981140	Washer (PK10)	
04	-	-	not necessary, see pos. 13
05	-	-	not necessary
06	-	-	not necessary
07	-	-	not necessary
08	-	-	not necessary
09	-	-	not necessary
10	-	-	not necessary
11	-	-	not necessary
12	-	-	not necessary
13	0020010296	Service cock	with part 03
14	0020010297	Pipe	with part 15
15	0020010298	Washer (PK10)	
16	-	-	not available as spare part
17	-	-	not necessary

Subject to alteration !

Attention: Please take the gross price from the valid price list !

12 Control box (until 08/07)

ecoTEC plus 612 VU 126/3-5 R1, ecoTEC plus 615 VU 156/3-5 R1
ecoTEC plus 618 VU 186/3-5 R1, ecoTEC plus 624 VU 246/3-5 R1
ecoTEC plus 630 VU 306/3-5 R1, ecoTEC plus 637 VU 376/3-5 R1



02 - 12 - 046.02

12 Control box (until 08/07)

ecoTEC plus 612 VU 126/3-5 R1, ecoTEC plus 615 VU 156/3-5 R1

ecoTEC plus 618 VU 186/3-5 R1, ecoTEC plus 624 VU 246/3-5 R1

ecoTEC plus 630 VU 306/3-5 R1, ecoTEC plus 637 VU 376/3-5 R1

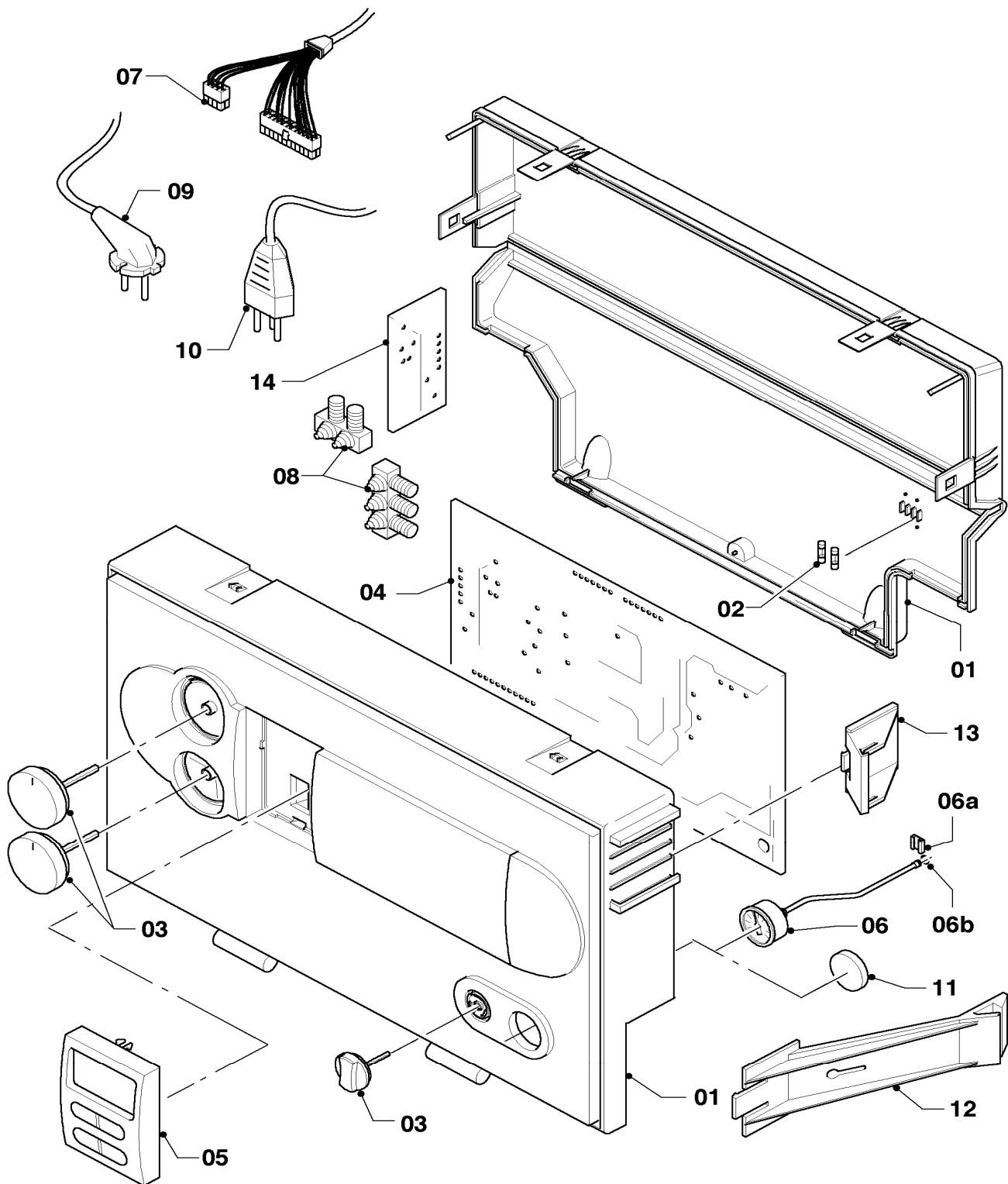
Pos.	Art.-No	Part	Type, note
		02-12-046	
01	193582	Casing	with parts 02, 03
02	251955	Fuse 2.0A T (PK10)	2.0 AT
03	117319	Knobs grey (PK3)	
04	0020052093	Printed circuit	with part 02
05	0020056561	Display (grey)	
06	180982	Pressure gauge	
06a	085751	Pressure gauge clip	
06b	981155	O-ring (PK10)	
07	193586	Harness	VU 126/3-5 R1, appliance
07	193586	Harness	VU 156/3-5 R1, appliance
07	193586	Harness	VU 186/3-5 R1, appliance
07	193586	Harness	VU 246/3-5 R1, appliance
07	0020025036	Harness	VU 306/3-5 R1, appliance
07	0020025036	Harness	VU 376/3-5 R1, appliance
07	193589	Harness	VU 126/3-5 R1, hydraulik
07	193589	Harness	VU 156/3-5 R1, hydraulik
07	193589	Harness	VU 186/3-5 R1, hydraulik
07	193589	Harness	VU 246/3-5 R1, hydraulik
07	193589	Harness	VU 306/3-5 R1, hydraulik
07	0020025037	Harness	VU 376/3-5 R1, hydraulik
08	078533	Cable fixation	
09	-	-	not necessary
10	-	-	not necessary
11	-	-	not necessary
12	193583	Support	VU 126/3-5 R1
12	193583	Support	VU 156/3-5 R1
12	193583	Support	VU 186/3-5 R1
12	193583	Support	VU 246/3-5 R1
12	193584	Support	VU 306/3-5 R1
12	193585	Support	VU 376/3-5 R1
13	-	-	not necessary
14	-	-	not necessary

Subject to alteration !

Attention: Please take the gross price from the valid price list !

12a Control panel (from 09/07)

ecoTEC plus 612 VU 126/3-5 R1, ecoTEC plus 615 VU 156/3-5 R1
ecoTEC plus 618 VU 186/3-5 R1, ecoTEC plus 624 VU 246/3-5 R1
ecoTEC plus 630 VU 306/3-5 R1, ecoTEC plus 637 VU 376/3-5 R1



02 - 12 - 048.02

12a Control panel (from 09/07)

ecoTEC plus 612 VU 126/3-5 R1, ecoTEC plus 615 VU 156/3-5 R1

ecoTEC plus 618 VU 186/3-5 R1, ecoTEC plus 624 VU 246/3-5 R1

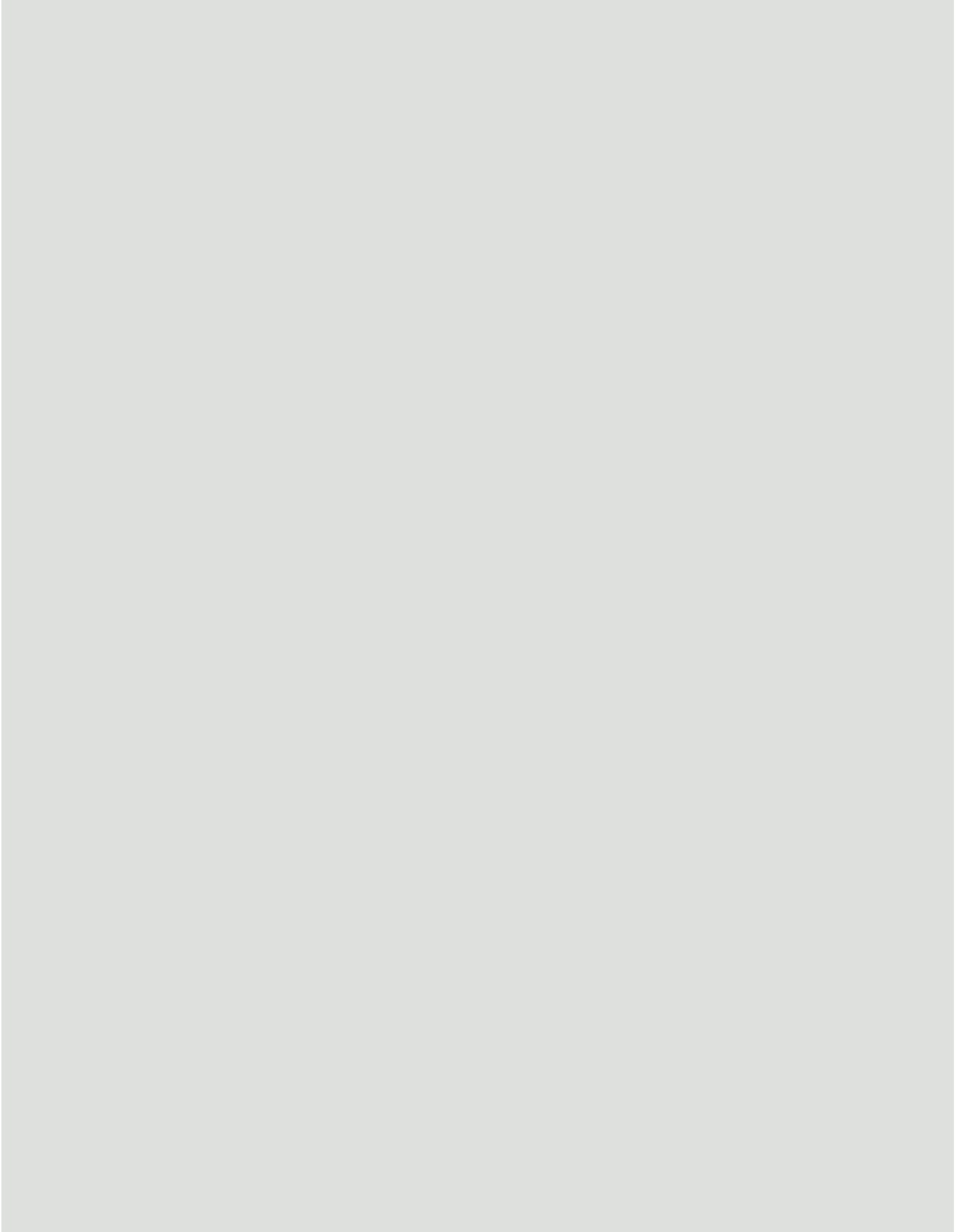
ecoTEC plus 630 VU 306/3-5 R1, ecoTEC plus 637 VU 376/3-5 R1

Pos.	Art.-No	Part	Type, note
		02-12-048	
01	0020041164	Casing (Performance, grey)	with parts 02, 03
02	251955	Fuse 2.0A T (PK10)	2.0 AT
03	0020048969	Knobs grey (PK3)	
04	0020052093	Printed circuit	with part 02
05	0020056561	Display (grey)	
06	180982	Pressure gauge	
06a	085751	Pressure gauge clip	
06b	981155	O-ring (PK10)	
07	193586	Harness	VU 126/3-5 R1, appliance
07	193586	Harness	VU 156/3-5 R1, appliance
07	193586	Harness	VU 186/3-5 R1, appliance
07	193586	Harness	VU 246/3-5 R1, appliance
07	0020025036	Harness	VU 306/3-5 R1, appliance
07	0020025036	Harness	VU 376/3-5 R1, appliance
07	193589	Harness	VU 126/3-5 R1, hydraulik
07	193589	Harness	VU 156/3-5 R1, hydraulik
07	193589	Harness	VU 186/3-5 R1, hydraulik
07	193589	Harness	VU 246/3-5 R1, hydraulik
07	193589	Harness	VU 306/3-5 R1, hydraulik
07	0020025037	Harness	VU 376/3-5 R1, hydraulik
08	078533	Cable fixation	
09	-	-	not necessary
10	-	-	not necessary
11	-	-	not necessary
12	-	-	not necessary
13	193583	Support	VU 126/3-5 R1
13	193583	Support	VU 156/3-5 R1
13	193583	Support	VU 186/3-5 R1
13	193583	Support	VU 246/3-5 R1
13	193584	Support	VU 306/3-5 R1
13	193585	Support	VU 376/3-5 R1
14	-	-	not necessary

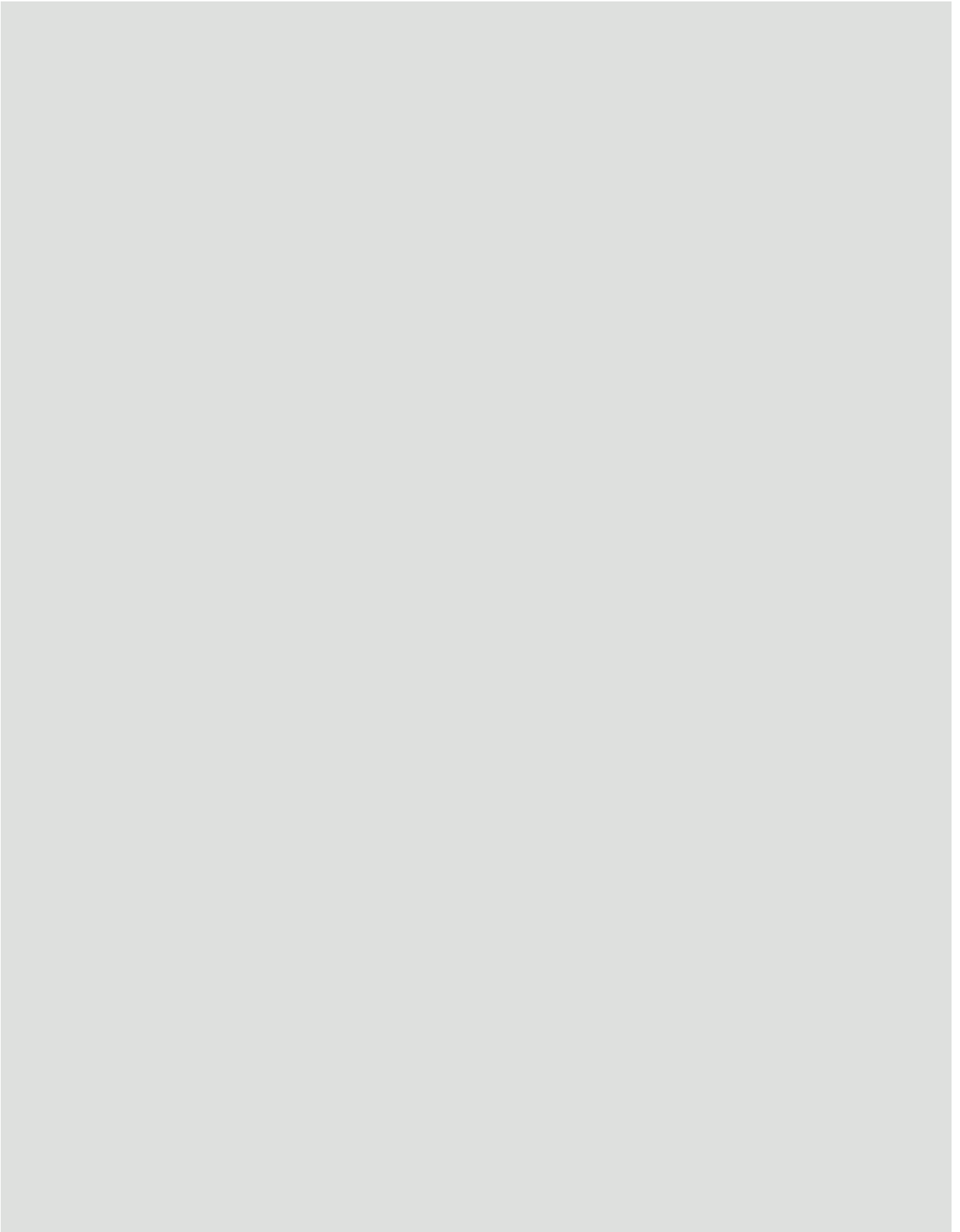
Subject to alteration !

Attention: Please take the gross price from the valid price list !

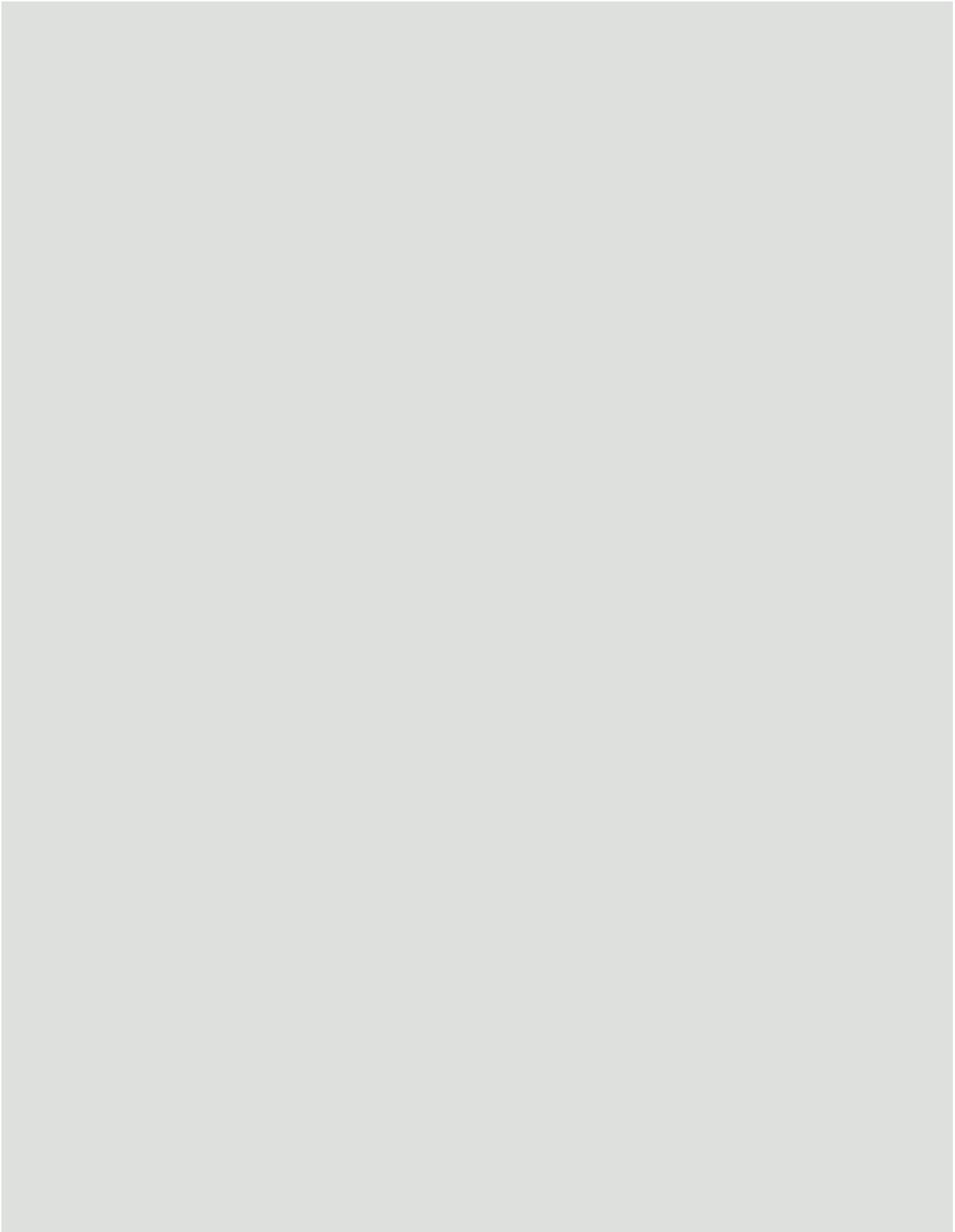
Notes



Notes



Notes



Vaillant Ltd.

Vaillant House Medway City Estate, Trident Close ■ Rochester / Kent ME2 4EZ
Phone 01634 292300 ■ Fax 01634 290166 ■ www.vaillant.co.uk ■ info@vaillant.co.uk

0020010870.05 GB 10/2008 Subject to alteration ! / Attention: Please take the gross price from the valid price list !