

For the owner

Operating manual  
ecoTEC plus 937



Gas condensing storage combination boiler

VUI

# Contents

## Appliance characteristics

## Recommended accessories

<b>Appliance characteristics</b> .....	<b>2</b>
<b>Recommended accessories</b> .....	<b>2</b>
<b>1 Notes on the documentation</b> .....	<b>3</b>
1.1 Storage of the documents.....	3
1.2 Symbols used.....	3
1.3 Validity of the instruction manual.....	3
1.4 CE label.....	3
1.5 Identification plate.....	3
<b>2 Safety</b> .....	<b>3</b>
2.1 Setup and adjustment.....	3
2.2 Action in case of emergency.....	3
2.3 Safety instructions.....	4
2.4 Modifications to the boiler and its environment.....	4
2.5 Setup and adjustment.....	4
<b>3 Instructions on operation</b> .....	<b>5</b>
3.1 Factory guarantee.....	5
3.1.1 Two years guarantee for ecoTEC plus units.....	5
3.1.2 Registering with us.....	5
3.1.3 Immediate help.....	5
3.2 Intended use.....	5
3.3 Care.....	5
3.4 Recycling and disposal.....	5
3.4.1 Equipment.....	5
3.4.2 Packaging.....	5
<b>4 Operation</b> .....	<b>6</b>
4.1 Overview of the operating elements.....	6
4.2 Measures prior to commissioning.....	7
4.2.1 Opening the isolating valves.....	7
4.2.2 Checking system pressure.....	7
4.3 Start-up.....	7
4.4 Domestic hot water operation.....	8
4.4.1 Setting the hot water temperature.....	8
4.4.2 Switching on/off the warmstart function.....	8
4.4.3 Storage tank charging mode.....	9
4.4.4 Drawing off the hot water.....	9
4.5 Heating operation.....	10
4.5.1 Setting the flow temperature.....	10
4.5.2 Switching heating mode off (summer mode)....	10
4.5.3 Setting a room thermostat or weather compensator.....	10
4.6 Status displays (for maintenance and servicing by the engineer).....	10
4.7 Troubleshooting.....	11
4.7.1 Faults caused by water pressure too low.....	11
4.7.2 Faults in ignition.....	11
4.7.3 Faults in the air/flue gas routing.....	11
4.8 De-commissioning.....	12
4.9 Frost protection.....	12
4.10 Maintenance and customer service.....	12

## Appliance characteristics

The Vaillant ecoTEC plus 937 is a compact gas wall-mounted boiler with condensing technology and 15 litre laminar stainless steel storage tank.

The Vaillant ecoTEC plus 937 provides central heating and hot water, whereby the hot water is supplied direct from the boiler. Hot water provision takes place automatically when the hot water tap is opened. This involves automatic control of the boiler so that the demand for heating and hot water is automatically covered in the most economic way.

## Recommended accessories

Vaillant have a range of control accessories that can either push-fit into the boiler fascia or be wall mounted.

Controller	Item no.
VRC 400 (1-circuit controller, weather-controlled)	0020010843
VRT 360 (room temperature controller)	0020010842
VRT 360f (room temperature controller)	0020018258
VRT 230 (room temperature controller)	0020010841
timeSWITCH 140 (timer)	306 760
timeSWITCH 130 (timer)	306 759
VRT 30 (room thermostat)	300 637
VRT 30 (room thermostat)	0020018265
Telecommunication	Item no.
vrnetDIALOG 830 (Int)	002000 3988
vrnetDIALOG 860/2 (Int)	002000 3984
Accessories	Item no.
VR 65 control centre for UK cylinder installation (eBUS)	307 215
vrDIALOG 810/2	002002 3370

**Table Controller options**

Your expert technician will help you with selection of the suitable controller.

## 1 Notes on the documentation

The following information is intended to help you throughout the entire documentation. Further documents apply in combination with this operating manual.

**We accept no liability for any damage caused by the failure to observe these instructions.**

**Other instruction manuals which form part of the scope of supply of the equipment**

**For the owner of the system:**

Short operating instruction manual	No. 838404
Guarantee card with envelope	No. 802922

**For the heating engineer:**

Installation and maintenance instructions	No. 0020031552
Flue installation instructions	No. 834449

The manuals for any accessories and controllers used also apply. The Benchmark gas boiler commissioning checklist (in the installation manual) should be completed by the installer and/or commissioning engineer present during the commissioning, and handed over to the operator of the installation.

If you have any questions, after reading through these instructions, considering the operation of the boiler, please contact your expert technician or the technical department of Vaillant.

### 1.1 Storage of the documents

Please store this operating manual and all related documents in such a way that they are available whenever they are required.

If you move out or sell the appliance, pass on the documents to the buyer.

### 1.2 Symbols used

Please observe the following when operating the unit. Safety instructions in this operating instruction manual!



**Danger!**  
**Immediate risk of serious injury or death!**



**Danger!**  
**Danger of death by electrocution!**



**Danger!**  
**Danger of burning or scalding!**



**Caution!**  
**Potentially dangerous situation for the product and environment!**



**Note!**  
**Useful information and instructions.**

- Symbol for a necessary task

### 1.3 Validity of the instruction manual

This operating instruction manual applies exclusively to the units with the following part number: 0010003809. The part number of your unit can be obtained from the identification plate.

### 1.4 CE label

The CE mark documents the fact that the unit complies with the requirements of the EU gas equipment directive (90/396/EEC) and the directive for electromagnetic compatibility (89/336/EEC).

In addition, the units comply with the requirements of the Ecodesign Directive (92/42/EEC).



**Note!**

**Vaillant Ltd. supports the Benchmark Initiative. In the appendix to the installation manual you will find a Benchmark gas boiler commissioning checklist. It is very important that this document be filled out properly when installing, commissioning and handing-over to the user.**

### 1.5 Identification plate

The data badge of the Vaillant ecoTEC is attached at the factory to the bottom of the appliance.

## 2 Safety

### 2.1 Setup and adjustment

Installation and adjustment of the boiler as well as service, maintenance and repair of the boiler may only be carried out by a competent person in accordance with the Gas Safety (Installation and Use) Regulations 1998. (In the U.K. "CORGI". Registered installers undertake the work to a safe and satisfactory standard). If the boiler is installed in a compartment do not obstruct any purpose provided ventilation openings, and do not use the compartment for storage purposes.

### 2.2 Action in case of emergency



**Danger!**  
**If you smell gas, risk of poisoning and explosion due to a malfunction**

If you smell gas:

- Do not switch lights on or off.
- Do not use any other electrical switches.
- Do not use a telephone in the area of the hazard.
- Do not use naked flames (such as matches or cigarette lighters).

## 2 Safety

- Do not smoke.
- Shut off the gas supply at the meter.
- Open the windows and doors.
- Warn other residents.
- Get out of the house.
- Consult your gas supplier, service agent or other competent person.

### 2.3 Safety instructions

Always observe the following safety instructions and regulations.



#### **Danger!**

**Inflammable mixtures of gas and air may explode. Do not use or store explosive or easily flammable substances such as petrol or paint in the same room as the appliance.**



#### **Danger!**

**Risk of poisoning and explosion due to a malfunction. Never put the safety devices out of operation or tamper with them so as to impair their function.**

### 2.4 Modifications to the boiler and its environment

No changes must be made to the following objects:

- The boiler
- To the gas, water and power supply
- Flue system
- The safety valve for heating water
- Any structural changes around the appliance that could affect the operational safety of the boiler.



#### **Caution!**

**Inappropriate alterations can cause damage! Under no circumstances should you ever attempt to make alterations to the gas wall-mounted boiler or other parts of the system. Never try to carry out maintenance work or repairs on the appliance yourself.**

- Do not damage or remove seals on components. Only suitably qualified heating engineer or our customer service may removed sealed components.



#### **Danger!**

**Risk of scalding. The water coming out of the tap can be very hot.**



#### **Caution!**

**Risk of damage! Do not use sprays, solvents, chlorinated cleaning agents, paint, adhesives or similar substances in the vicinity of the appliance. These substances can cause corrosion, including in the flue system.**

### 2.5 Setup and adjustment



#### **Caution!**

##### **Important!**

**The appliance must be installed and serviced by a Competent Person as stated in the Gas Safety (Installation and Use) Regulations 1998. In IE, the installation must be in accordance with the current edition of I.S.813 'Domestic Gas Installations', the current Building Regulations and reference should be made to the current ETCI rules for electrical installation.**



#### **Caution!**

**The appliance may only be operated with its casing properly and permanently closed. Otherwise, in unfavourable conditions, material damage or even injury or death can result.**

#### **Filling pressure of the heating system**

Regularly check the filling pressure of the heating system (see Section 4.2.2).

#### **Leaks**

If there is a leak in the water pipes between the appliance and the taps, immediately turn off the cold water shut-off valve and have your engineer repair the leak.

#### **Frost protection**

Your boiler is fitted with a frost protection function: If the temperature of the heating water falls below 5 °C with the main switch in the on position, the boiler will switch on and the heating circuit is heated up to approx. 30 °C.



#### **Note!**

**It cannot be guaranteed that water is circulating through the entire heating system.**

If the boiler is not operated for several hours during very cold weather there is a danger that the system will freeze up.

Make sure that the central heating system remains switched on during extended periods of frost and that the temperature in all the rooms remains above freezing. It must, however, be pointed out that the boiler will be switched off automatically by the built-in checking devices if certain errors arise (e.g. interruption in the power or gas supply and faults in the flue gas removal system). In order to prevent the danger of freezing up you can drain both the boiler and the heating system.



#### **Note**

**The frost protection and monitoring devices are only active if the main switch of the unit is in position "I" and the boiler is connected to the power supply. Please observe the instructions concerning frost protection in Section 4.9 in all cases**

## 3 Instructions on operation

### 3.1 Factory guarantee

#### 3.1.1 Two years guarantee for ecoTEC plus units

Vaillant is committed to rectify any manufacturing faults which arise during the first 24 months after installation. A prerequisite for the effectiveness of the guarantee in the second year is that, one year after installation, an annual inspection is carried out by a CORGI registered maintenance engineer. The costs for this annual service are not included in the guarantee.

#### 3.1.2 Registering with us

Registration is simple. Simply fill in the card for guarantee registration and send it back to Vaillant within 30 days after installation. Your details will be automatically entered into the Vaillant guarantee plan.

---

#### **Note!**

**A receipt is not issued.**

#### 3.1.3 Immediate help

If a fault arises on your Vaillant boiler please contact your installer initially since the guarantee conditions stipulate that his expertise must be made use of. If you cannot contact your installer then contact Vaillant Service Solutions on the phone number 0870 6060 777.

### 3.2 Intended use

The Vaillant ecoTEC plus 937 is a state-of-the-art appliance which has been constructed in accordance with recognised safety regulations. Nevertheless, there is a risk of injury or death to the user or others and damage to the appliance or other property in the event of misuse or use for which the appliance is not intended.

The units are intended as heat generators for sealed hot-water central heating installations and for central hot water preparation. Any other use or extended use is considered to be improper. The manufacturer or supplier is not liable for any resulting damage. The user alone bears the risk.

Intended use includes the observance of the operating and installation manual and all other applicable documents, as well as adherence to the maintenance and inspection conditions.

---

#### **Caution!**

**Any improper use is forbidden.**

### 3.3 Care

- Clean the exterior of your appliance with a damp cloth and a little soap.

---

#### **Note**

**Do not use scouring or cleaning agents, which might damage the housing or plastic fittings.**

### 3.4 Recycling and disposal

Both your Vaillant ecoTEC plus 937 boiler and its packaging consist mainly of recyclable raw materials.

#### 3.4.1 Equipment

Do not dispose of your Vaillant ecoTEC plus 937 boiler or any of its accessories with household waste. Make sure the old appliance and any accessories are disposed of properly.

#### 3.4.2 Packaging

Please leave the disposal of the transport packaging to the qualified servicing company which installed the appliance.

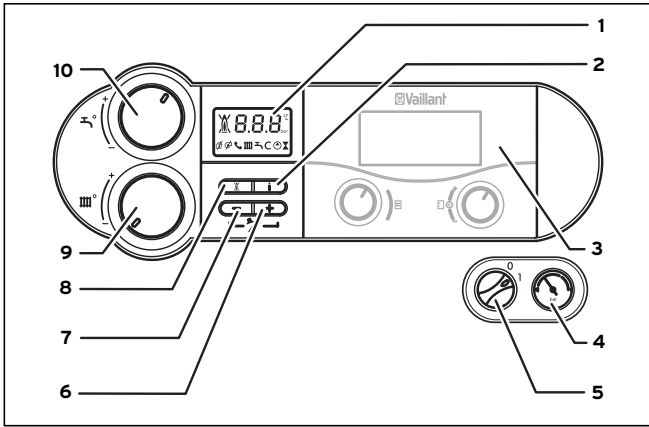
---

#### **Note**

**Please observe the applicable national legal regulations.**

## 4 Operation

### 4.1 Overview of the operating elements

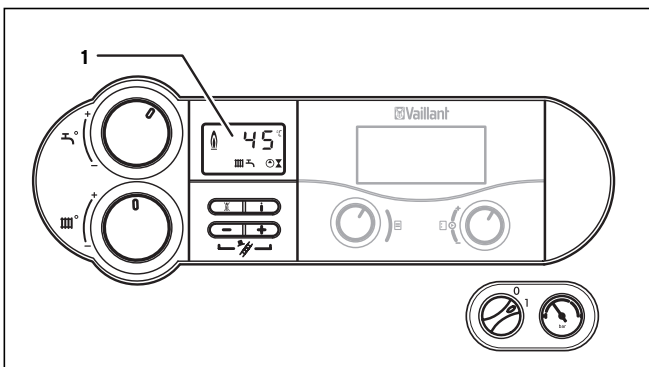


**Fig. 4.1 Operating elements ecoTEC**

The operating elements have the following functions:

- 1 Display indicating the current heating flow temperature, the filling pressure of the heating system, the operating mode and other additional information
- 2 Button „i“ for calling up information
- 3 Controller (accessory)
- 4 Pressure gauge showing the filling or operating pressure in the heating system
- 5 on /off switch
- 6 Button „+“ to move on through the display screens
- 7 Button „-“ to move backwards through the display screens and for displaying the filling pressure of the heating system
- 8 Button „Fault Reset“
- 9 Rotary knob for setting the heating flow temperature
- 10 Rotary knob for setting the domestic hot water temperature, for switching the warmstart function on and off and for switching the hot water storage function on and off

### Digital information and analysis system





**Fig. 4.2 Display ecoTEC**


The ecoCTEC plus units are fitted with a digital information and analysis system. This system provides information on the operating status of your appliance and helps you deal with problems. During normal operation, the display (1) shows the current heating flow temperature

(in this example 45 °C). In the event of a fault, an error code appears instead of the temperature. You can also see the following information from the symbols displayed:

- 1 The current heating flow temperature, the heating system filling pressure or a status or error code


 Flue problem


 Flue problem


 Only in combination with the vrnetDIALOG: As long as this symbol appears in the display, a heating feed temperature and hot water outlet temperature is set via the vrnetDIALOG accessory, which means the appliance uses temperatures other than those set using the rotary knobs (9) and (10)


This operating mode can only be ended:


- via vrnetDIALOG or
  - by altering the temperature setting on the rotary knobs (9) or (10) by more than  $\pm 5$  K.
- This operating mode cannot be ended:
- by pushing the button (8) „Fault reset“ or
  - by switching the unit off or on.


 Hot water preparation active permanently on: Operating mode heating flashes: Burner lockout time active


 Hot water preparation active (only on VCW) permanently on: Hot water being drawn-off flashing: Hot water storage tank is being heated, burner on

 Warmstart function active Permanently on:  
 - Warmstart function is in preparation  
 - Storage tank mode active (only on actoSTOR VIH CL 15 S)  
 Flashing - Warmstart in operation, burner on  
 - Storage tank charging mode, burner on

 Heating pump in operation

 Actuating internal gas valve

 Flame with cross: Fault during burner operation; Unit is switched off

 Flame without cross: Burner operation normal

## 4.2 Measures prior to commissioning

### 4.2.1 Opening the isolating valves

**Note**  
If the boiler is fitted with a bottom cover the isolating valves are under this cover.

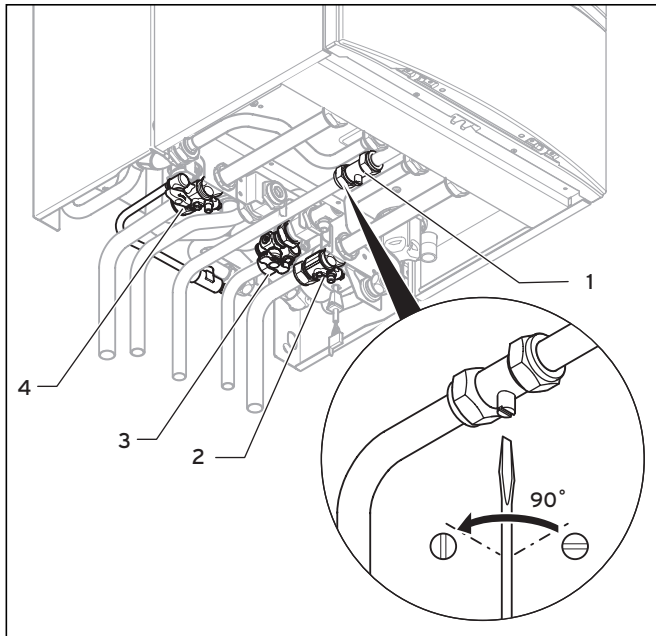


Fig 4.3 Opening the isolating valves

- The stop cocks in the heating flow and return (2 and 4) and the gas stop-cock (1) must be open. These stop-cocks are open if the slot for the screwdriver is parallel to the piping run.
- The cold water stop cock (2) must be open. In order to check this you can open a hot water tap at a draw-off point and see if water flows out.

### 4.2.2 Checking system pressure

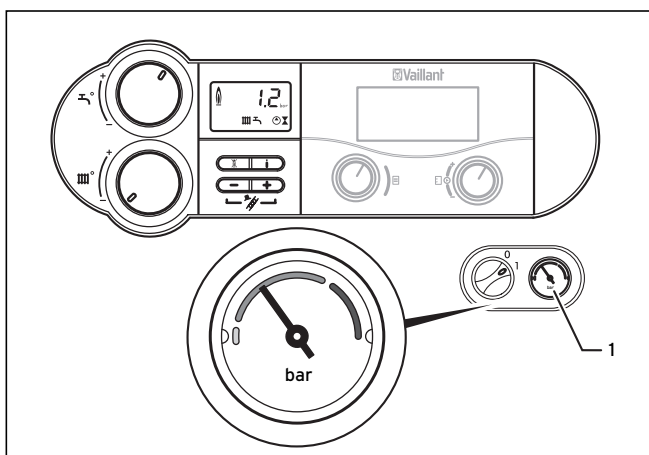


Fig. 4.4 Checking the filling pressure of the heating system

- Check the filling pressure of the system using the pressure gauge (1) before putting it into operation.

For the heating system to operate properly, the indicator on the pressure gauge must be in the dark grey zone when the system is cold. This corresponds to a filling pressure between 1.0 and 2.0 bar. If the indicator is in the light grey area (below 0.8 bar), fill the system up with water before putting it into operation.

**Note!**  
The ecoTEC appliances come with a manometer and a digital pressure indicator. The manometer allows you to quickly check whether the filling pressure is in target range or not even when the appliance is turned off. When the unit is in operation, you can have the exact pressure shown in the display. Activate the pressure display by pressing the "-" button (2). After 3 seconds the display returns to the feed temperature.

**Note!**  
Note: To avoid running the system with too little water and thus prevent damage, your appliance has a pressure sensor. This signals the low pressure level if the level falls below 0.6 bar by the water pressure value in the display flashing. If the pressure falls below 0.3 bar the unit switches off. The error message F.22 appears in the display. Fill the system up with water before you start up the appliance again.

If the heating system extends over several storeys, the system may require a higher filling pressure. Ask your engineer for details.

### 4.3 Start-up

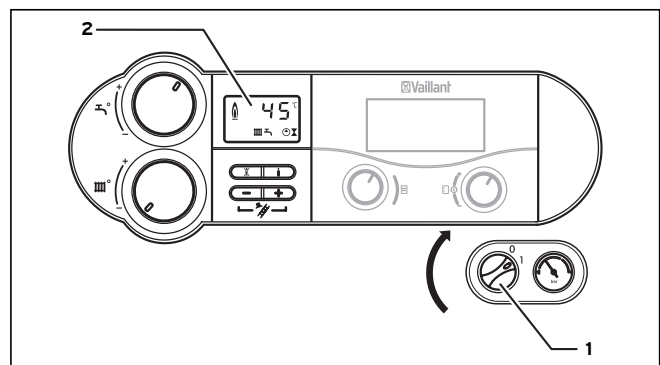


Fig. 4.5 Switching the appliance on

- Use the main switch (1) to switch the appliance on and off:  
I: "ON"  
O: "OFF"

## 4 Operation

When you switch the unit on the display (2) shows the current heating feed temperature.

To adjust the appliance according to your requirements, read sections 4.4, and 4.6, which describe the setting options for hot water supply and heating.



### Caution!

#### Risk of damage!

The frost protection and monitoring systems are only active when the main switch of the appliance is in the "I" position and it is not disconnected from the mains power supply.

To ensure that these protection devices remain active, switch your gas wall boiler on and off using the controller (see the corresponding operating manual). Section 4.9 describes how to put your gas wall boiler out of operation.

### 4.4 Domestic hot water operation

The boiler can only be used if the heating system has water in it (see Section 4.2.2).

#### 4.4.1 Setting the hot water temperature

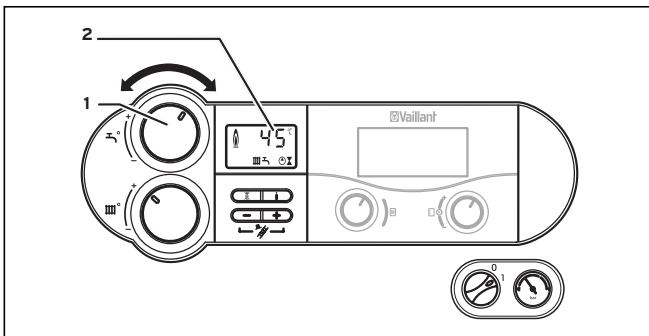


Fig. 4.6 Setting the water temperature

- Switch on the appliance as described in section 4.3.
- Turn the knob (1) for setting the hot water temperature to the temperature you require.
- In order to increase the temperature turn the knob in a clockwise direction, and to reduce the temperature turn the knob in an anticlockwise direction. In doing this:
 

- left-hand stop approx.	35 °C
- right-hand stop max.	65 °C



### Note

This knob is used to set the maximum hot water temperature. If turning the knob all the way to the right has no effect on the temperature then the hot water preparation system is running at full output for the selected throughput.

The set value is shown in the display during the setting process (2).

After approx. 3 seconds the display returns to standard mode (the current heating flow temperature).



### Caution!

If you live in an area with hard water, please do not turn the knob (1) further than the mid-position (12 o'clock position) to prevent excessive scale build up.



### Danger!

Health danger from formation of Legionella! If the unit is used to provide heat support in a solar-supported drinking water heating installation the hot water draw-off temperature must be set to at least 60 °C using the knob (1).

#### 4.4.2 Switching on/off the warmstart function

The warmstart function of the ecoTEC combination boiler immediately provides hot water at the required temperature without having to wait for it to heat up. To do this, the hot water heat exchanger of the ecoTEC is kept at a pre-selected temperature level. This level is maintained by the hot water preparation system switching on at intervals.

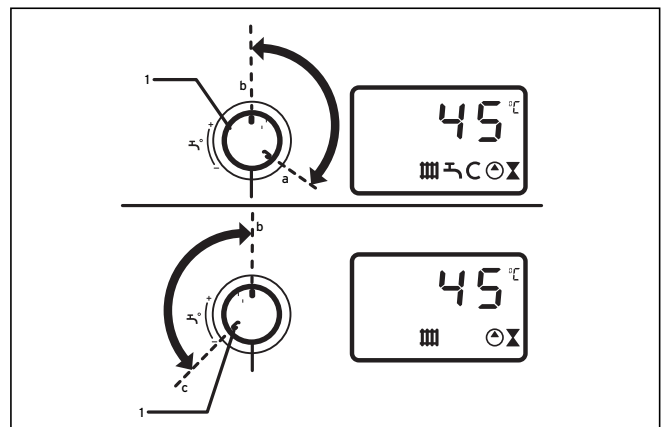


Fig. 4.7 Switching on/off the warmstart function

- The warmstart function is activated by turning the knob (1) in a clockwise direction to the end stop briefly (setting a).

The "C" symbol is displayed.

- Then select the desired hot water draw-off temperature e.g. setting b, see Section 4.4.1.

The unit automatically matches the warmstart temperature to the set hot water temperature. The heated water is then immediately available when you draw it off.

The "C" symbol is displayed.

- The warmstart function is de-activated by turning the knob (1) in an anti-clockwise direction to the end stop briefly (setting c).

The symbol "C" disappears.

- Then select the required hot water outlet temperature again, e.g. setting b.



### 4.4.3 Storage tank charging mode

The storage tank charging of the layer charging storage tank can be activated and de-activated using the operating elements on your boiler.

**Note!**  
**The storage tank charging is de-activated ex-works and must be activated during initial commissioning.**

The storage tank charging of the layer charging storage tank is only active if the warmstart function is switched on. This is shown by the symbol **C** in the display (see Section 4.4.2).

If the storage tank charging function is switched on you can use the knob for the hot water draw-off temperature to set the following temperatures:

- Knob setting "b"                    50 °C
- Knob setting "a"                    65 °C

If the storage tank charging function is switched off you can use the knob for the hot water draw-off temperature to set the following temperatures:

- Knob setting "c"                    35 °C
- Knob setting "a"                    65 °C

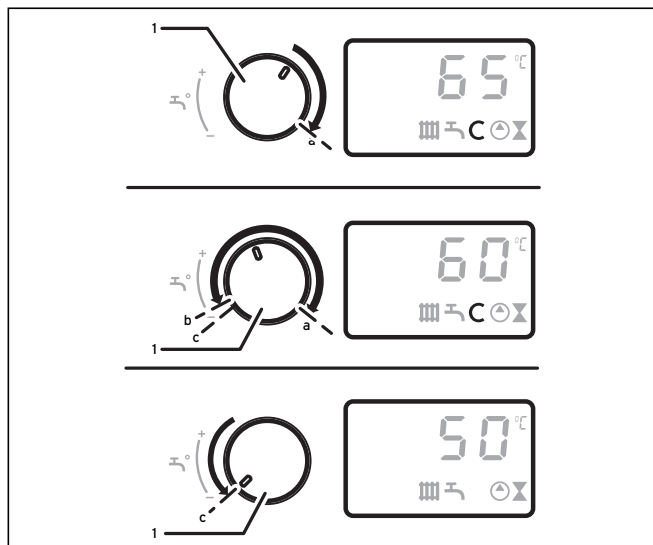


Fig. 4.8 Setting range for the storage tank temperature

If the storage tank charging function is switched off, the tank is not held at temperature. The unit only switches on in this case if the water is drawn off and only operates in the through-flow mode.

**Danger!**  
**Danger of scalding!**  
**The units are equipped with an automatic Legionella protection switching system: If the temperature in the hot water tank falls below 50 °C, the tank is heated up to 70 °C once every 24 hours. In this case there is a danger of scalding when drawing the water off.**

The Legionella protection system can be de-activated in the diagnosis level. For further information see installation and maintenance manual, Section 6.1.4, Storage tank charging and Section 8.1.2, Diagnostic codes.

### Activating the storage tank charging system

- Switch on the appliance.
- Turn the knob for setting the hot water temperature to the temperature you require.

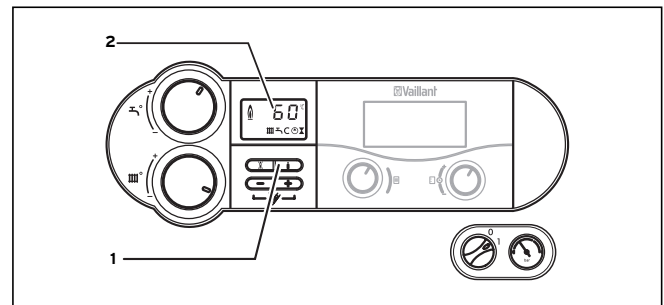


Fig. 4.9 Display during storage tank charging

- Activate the storage tank charging by turning the knob for adjusting the hot water draw-off temperature all the way to the right-hand end stop. The "C" symbol is displayed.
- Turn the knob for setting the hot water temperature to the temperature you require.

### De-activating the storage tank charging

- De-activate the storage tank charging by turning the knob for adjusting the hot water draw-off temperature all the way to the left-hand end stop. The "C" symbol disappears.
- Then set the desired draw-off temperature. The unit then operates in the through-flow mode, the storage tank is not held at temperature.

### 4.4.4 Drawing off the hot water

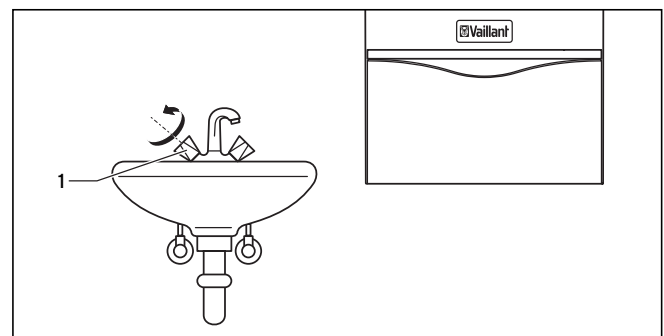


Fig. 4.10 Drawing off the hot water

When one of the hot water taps (1) at a draw-off point (wash-basin, shower, bath etc.) is opened, the unit automatically starts up and provides hot water. When the hot water tap is switched off the unit switches off (or, if required, continues to operate for the heating system or to recharge the storage tank).

## 4 Operation

### 4.5 Heating operation

The boiler can only be used if the heating system has water in it (see Section 4.2.2).

#### 4.5.1 Setting the flow temperature

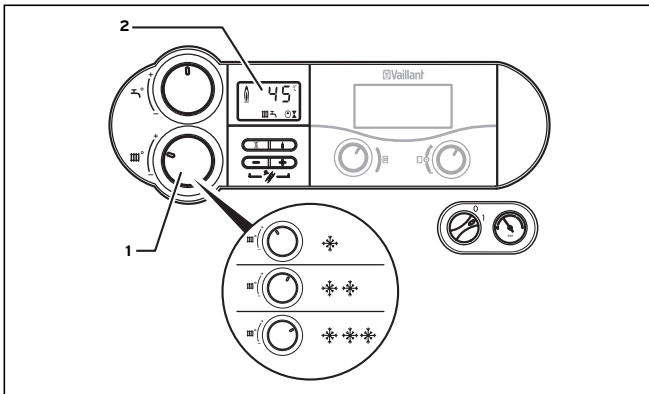


Fig. 4.11 Setting the flow temperature

Set the flow temperature by using the knob (1).

We recommend the following settings:

- **Left-hand setting** in Spring and Autumn,
- **Mid-position setting** in reasonably cold weather
- **Right-hand setting** in very cold weather

The set value is shown in the display (2) during the setting process. After approx. 3 seconds the display returns to standard mode (the current heating flow temperature).

Normally you can adjust the knob (1) continuously up to a flow temperature of 75 °C.

However, if higher temperatures are required this can be achieved by adjusting the boiler parameter d.71 (a qualified installer should make this change) up to a maximum of 85 °C.

#### 4.5.2 Switching heating mode off (summer mode)

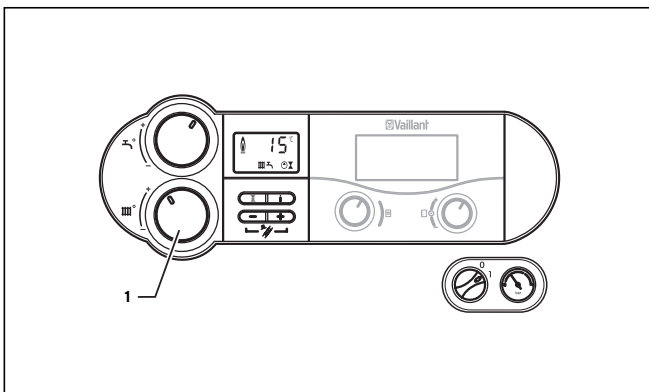


Fig. 4.12 Switching off heating (summer operation)

You can switch off the heating in summer without switching off the hot water supply.

- Turn the rotary knob (1) for setting the heating flow temperature all the way to the left.

#### 4.5.3 Setting a room thermostat or weather compensator

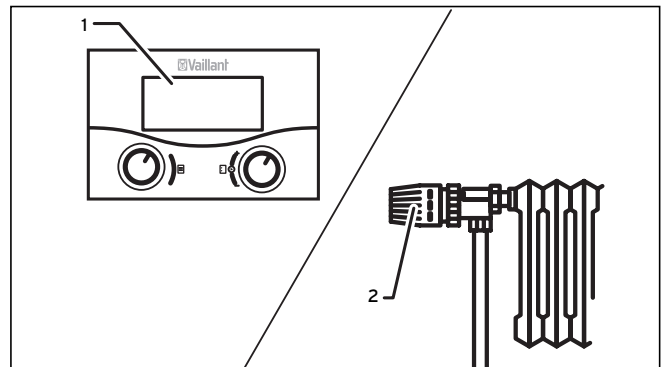


Fig.4.13 Setting a room thermostat or weather compensator

- Adjust the room thermostat (1) and/or the radiator thermostatic valves (2) in accordance with the operating instructions for these accessories.



#### Note

**Vaillant supplies thermostats and time controllers which provide exact and economic room temperature regulation for improved operating convenience.**

The boiler thus operates automatically according to the set parameters for the heating system (the ecoTEC combination boiler also provides hot water if required). After operation is stopped the pump runs on for a short period to allow the heat to be completely dissipated from the unit.



#### Note

**The boiler is fitted with a control unit which prevents unnecessary and energy-wasting short-term switching on and off. For this reason there may be a slight delay when setting a higher temperature on the thermostat before the boiler switches on.**

#### 4.6 Status displays (for maintenance and servicing by the engineer)

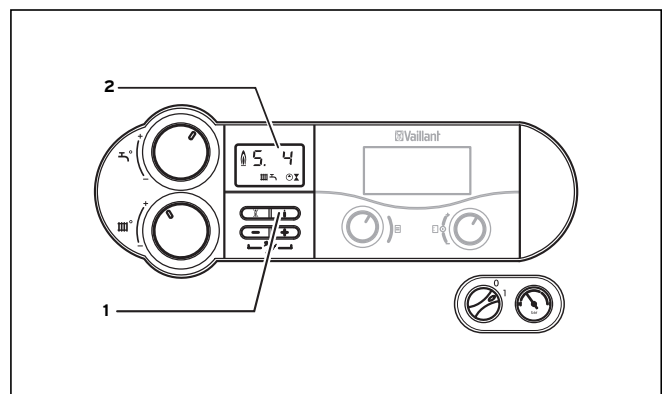


Fig. 4.14 Status displays

The status display provides information on the operating status of the appliance.

- Press the "i" button (1) to activate the status displays.

The display (2) then shows the individual status codes, e.g. "S. 4" for burner operation. The table below explains the most important status codes.

In switching phases, for example on starting up again after the flame was extinguished, the status message "S." briefly appears.

- Press the "i" button (1) again to switch the display back to normal mode.

Display	Meaning
<b>Displays during heating operation</b>	
S. 0	No heat required
S. 1	Pump running
S. 2	Heating pump supply
S. 3	Ignition sequence (heating operation)
S. 4	Burner ignited
S. 6	Fan and pump overrun
S. 7	Pump overrun
S. 8	Anti cycling mode (after heating operation)
S.31	Summer mode active
S.34	Frost protection mode
<b>Displays in hot water operation (ecoTEC combination boilers only)</b>	
S.10	Hot water demand
S.14	Burner ignited
<b>Displays for hot holding operation (ecoTEC combination boilers only)</b>	
S.20	Hot holding request
S.24	Hot burner holding operation on
<b>Displays in cylinder charging mode (ecoTEC system boilers only)</b>	
S.20	Cylinder charging request
S.24	Cylinder charging burner on

**Table 4.1 Status codes and what they mean (selection)**

#### 4.7 Troubleshooting

In the unlikely event that a problem should arise during operation of the ecoTEC, you should first check the following yourself:

##### Boiler fails to operate:

- Is the gas supply OK (see Section 4.2.1)?
- Is the water supply OK (see Section 4.2.1)?
- Is there sufficient water in the heating system (see Section 4.2.2)?
- Is the electrical supply switched on?
- Is the main switch in position "ON" (switch position "I", see Section 4.3)?
- Is there an ignition problem (see Section 4.7.2)?

##### Hot water operates but no central heating (ecoTEC plus 800 & 937 only):

- Is the heating switched on (see Section 4.3)?
- All the external controller set to the "ON" position (see Section 4.5.3)?



#### Caution!

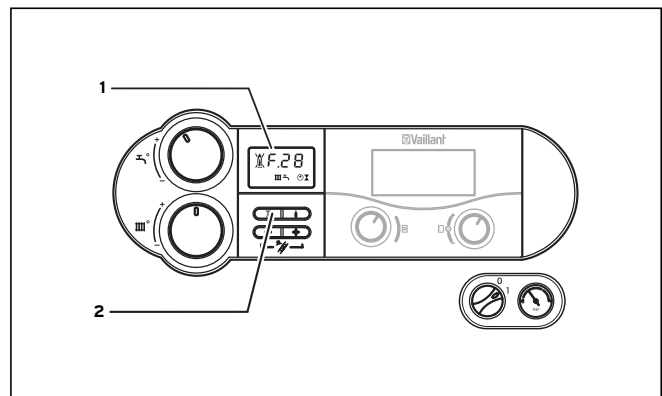
**Inappropriate alterations can cause damage! If your boiler still does not operate properly after checking the above points, please contact your expert technician or Vaillant Service Solutions (0870 6060 777).**

#### 4.7.1 Faults caused by water pressure too low

The device switches to "Fault" if the filling pressure in the heating system is too low. This malfunction is indicated by the fault code "F.22" (dry fire) or "F.23" or "F.24" (lack of water).

You can only start up the appliance again when the heating system is sufficiently filled with water.

#### 4.7.2 Faults in ignition



**Fig. 4.15 Troubleshooting**

If the burner fails to ignite after five attempts, the device does not start up and switches to "Fault". This is indicated by the fault code "F.28" or "F.29" in the display. In addition, the display shows a flame symbol with a cross through it (1).

Automatic ignition can only take place after you manually reset the fault.

- To reset the fault, press the reset button (2) and hold it down for one second.


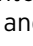


#### Caution!

**If the boiler still fails to start up after three attempts please contact an expert technician or Vaillant Service Solutions.**

#### 4.7.3 Faults in the air/flue gas routing

The appliances are fitted with a fan. If the fan does not work properly, the appliance will switch itself off.

The display shows the symbols  and  and the error message "F.32"



#### Note

**Please have the fault code to hand when you contact Vaillant Service Solutions since this will help in troubleshooting.**

## 4 Operation

### 4.8 De-commissioning

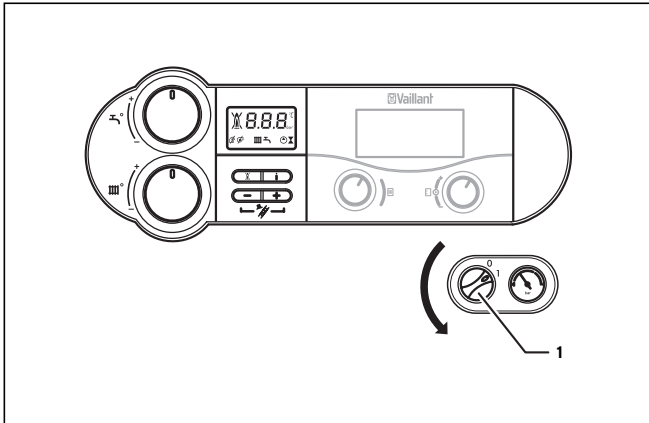


Fig. 4.16 Switching off the appliance

- Turn the main switch (1) to the position "0".



#### Caution!

The frost protection and monitoring systems are only active when the main switch of the appliance is in the "I" position and it is not disconnected from the mains power supply.

In order not to switch off this safety device, you should switch your heating unit on and off using the regulator.



#### Note!

In the case of longer periods of de-commissioning (e.g. holidays) you should, in addition, turn off the gas supply stop-cock and the cold water stop-cock as well as switching off the power supply.



#### Note!

With ecoTEC central heating units equipped with a hot water storage tank, you should only switch it off if hot water is not required.

### 4.9 Frost protection

The frost protection function only protects the boiler. All other parts of the system which are at danger from frost must be protected accordingly.



#### Caution!

The frost protection and monitoring systems are only active when the main switch of the appliance is in the "I" position and it is not disconnected from the mains power supply.

#### Frost protection function

The gas wall-mounted boiler is equipped with a frost protection function:

If the heating feed temperature falls below 5 °C with the main switch on, the unit starts up and heats the unit heating circuit to approx. 30 °C.



#### Caution!

Danger of freezing up of parts of the entire installation  
The frost protection system cannot guarantee flow through the entire heating system.

### 4.10 Maintenance and customer service

#### Inspection and maintenance

Permanent operational readiness, reliability and a long service life require inspections and maintenance work to regularly carried out by a heating engineer or Vaillant. Further information can be obtained from Vaillant Service Solutions . (0870 6060 777).



#### Danger!

Danger to persons and material damage can be caused by inappropriate handling!  
Never attempt to perform maintenance or repairs on the gas wall-mounted boiler yourself. Assign an approved qualified servicing company with this work. We recommend making a maintenance agreement.  
The operational reliability of the device can be impaired, resulting in damage to property or personal injury, if maintenance work is not carried out.

Regular servicing ensures maximum efficiency and economical operation of your gas wall boiler.









--	--

--	--	--

--

--


VRT/VRC

**Vaillant Ltd**

Vaillant House ■ Medway City Estate ■ Trident Close ■ Rochester ■ Kent ME2 4EZ  
Telephone 01634 292300 ■ Fax 01634 290166 ■ [www.vaillant.co.uk](http://www.vaillant.co.uk) ■ [info@vaillant.co.uk](mailto:info@vaillant.co.uk)

0020031573\_02\_GB 09 2007