

# Hi-Spec M31

## Warm Air Heater

### Gas Fired, Open Flue, Downflow Air Heater

Designed for new-build and replacement applications. Hi-SPEC M31 is a gas fired, open flue, downflow air heater with a range output of 7.3 - 9.1kW (25,000 - 31,000 Btu/h)

### FEATURES

- **Basic Control As Standard**
- **System E-T Modulating Control Optional**
- **Cleanflow Electronic Air Filtration Optional**
- **TTB Flue Spillage Monitoring Device**  
*Fitted As Standard*
- **Summer Air Circulation As Standard**
- **Circulator Water Heater Optional**  
*(Internally Fitted)*

**Output: HIJAN 6 = 3.3kW - 3.8kW**  
**(11,340 - 13,000 Btu/h)**

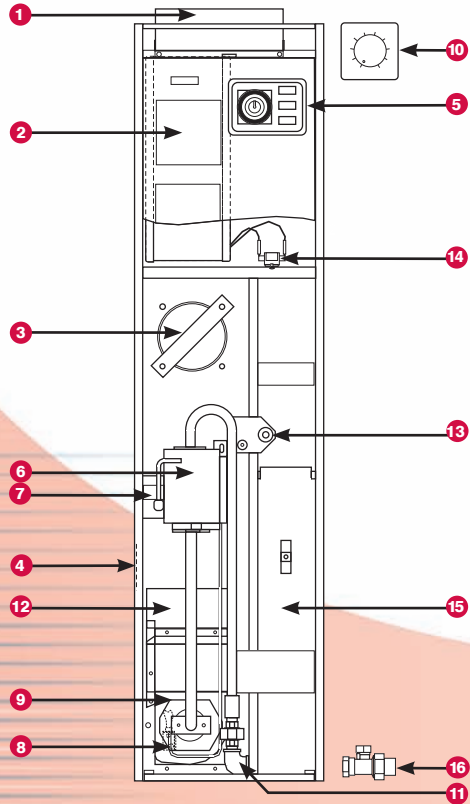


*Installation Options: Compartment, Free Standing or Slot Fix*

**Fully Compliant with  
PART L  
BUILDING REGULATIONS**

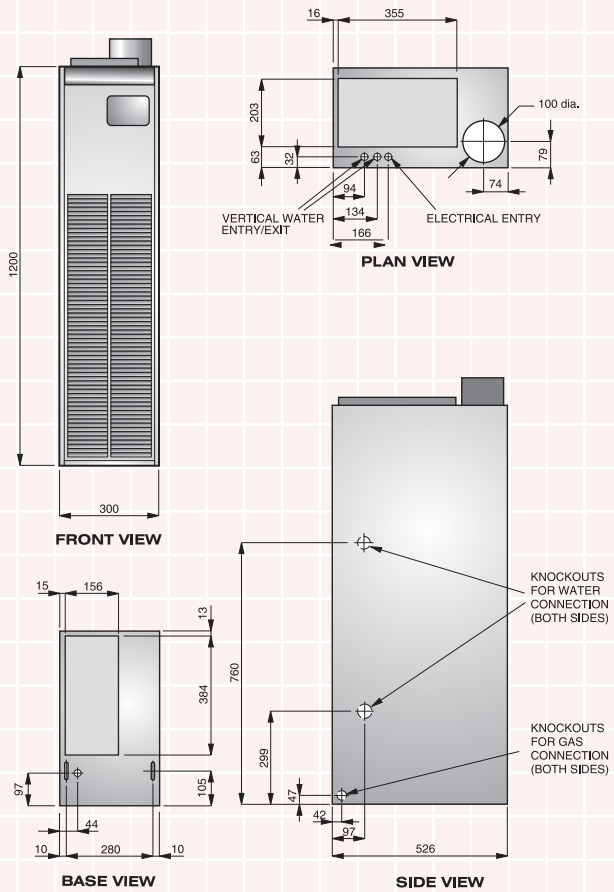
**RELIABILITY YOU CAN TRUST**

# Features

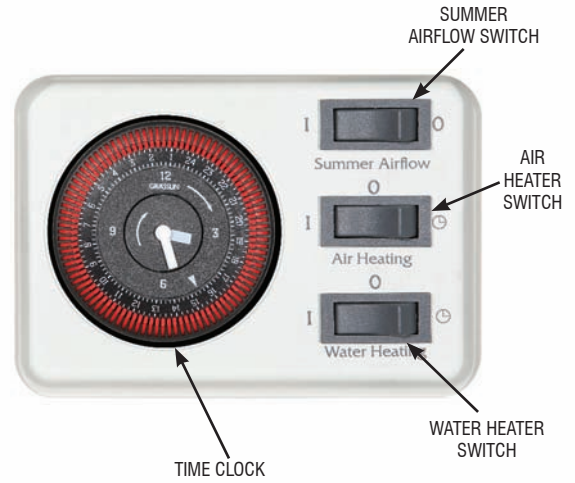


1. Air Filter
2. Air Circulator Fan
3. Heat Exchanger Access Cover
4. Data Plate
5. Time Control Module
6. Multi-Functional Control
7. Fan Delay/Overheat (Limit) Switch
8. Pilot Burner
9. Burner Bar Assembly
10. Thermosta-stat (System E-T Model)
11. Gas Supply Pipe
12. Heat Shield
13. Piezo Igniter Unit
14. Spillage Monitoring Device (TTB)
15. Water Heater (Optional - HIJAN 6)
16. Gas Cock (Supplied Loose)

# Dimensions



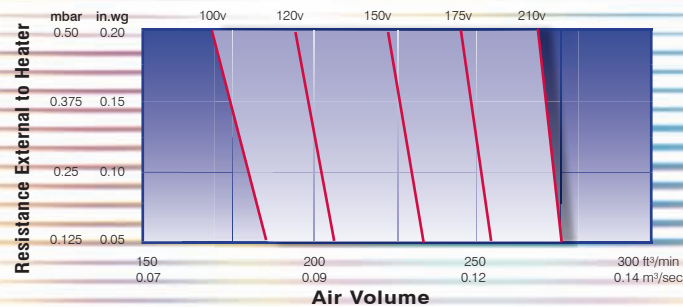
# Control Clock



# Specifications

HI-SPEC M31				
INPUT	kW	Btu/h	MJ/h	
Low	10.4	35,500	37.4	
High	11.4	38,900	41.0	
OUTPUT	kW	Btu/h	MJ/h	
Low	7.3	25,000	26.4	
High	9.1	31,000	32.7	
WEIGHT	Air Heater		Air Heater & Water Circulator	
	Kgs	lbs	Kgs	lbs
	50.0	110	55.0	121
Flue Diameter 100mm				
HIJAN 6 WATER CIRCULATOR (if fitted)				
INPUT	kW	Btu/h	MJ/h	
	4.4	15,000	15.83	
OUTPUT	kW	Btu/h	MJ/h	
	3.32	11,340	11.96	

# Fan Performance Graph



**RELIABILITY YOU CAN TRUST**

Rhosili Road, Brackmills, Northampton NN4 7LZ Telephone: 01604 762881 Fax: 01604 767408

In the interests of continuous development Johnson & Starley reserve the right to change specification without prior notice.

Publication No. ZZ991-3  
August 2009