



Johnson & Starley

Hi-Spec J25RS E-T

Warm Air Heater

Gas Fired, Open Flue, Downflow Air Heater

Specially designed as a modern replacement for a wide range of room sealed and SE Duct Heaters.

FEATURES

- **System E-T Modulating Control System**
- **Cleanflow Electronic Air Filtration Optional**
- **Range Of Optional SE Duct Fitting Kits Available**
- **Summer Air Circulation As Standard**
- **Circulator Water Heater Optional**
(Internally Fitted)

Output: HIJAN 6 = 3.3kW - 3.8kW
(11,340 - 13,000 Btu/h)



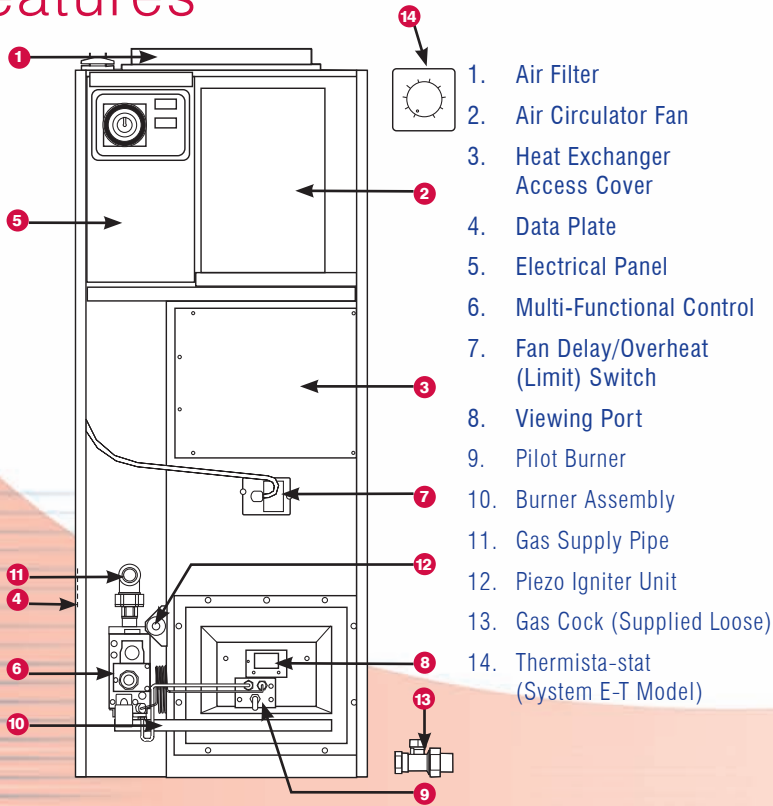
Installation Options: Compartment

Fully Compliant with
PART L
BUILDING REGULATIONS

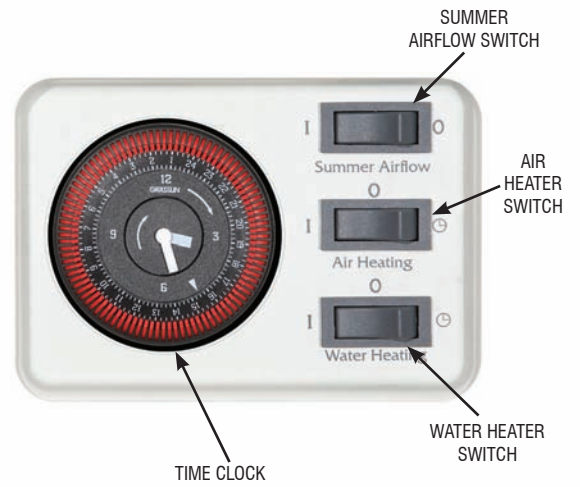
RELIABILITY YOU CAN TRUST

www.johnsonandstarley.co.uk

Features



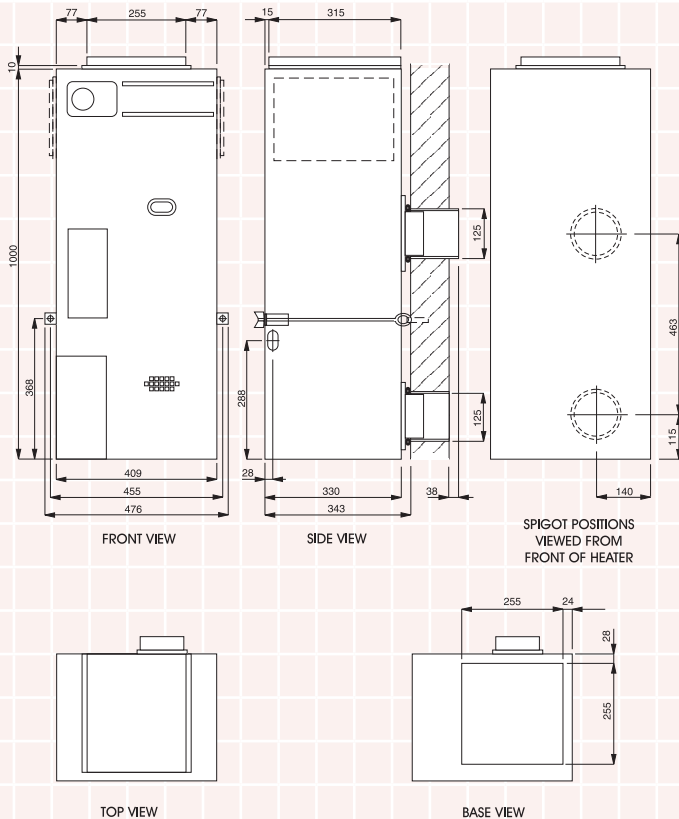
Control Clock



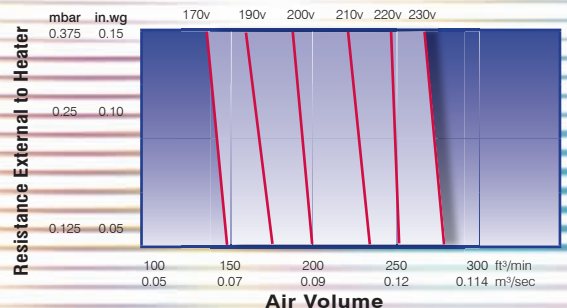
Specifications

HI-SPEC J25RS E-T				
INPUT	kW	Btu/h	MJ/h	
Low	9.01	33,750	32.45	
High	10.22	34,880	36.8	
OUTPUT	kW	Btu/h	MJ/h	
Low	6.44	22,000	23.21	
High	7.33	25,000	2638	
WEIGHT	Air Heater		Air Heater & Water Circulator	
	Kgs	lbs	Kgs	lbs
	38.0	84	46.0	101
HIJAN 6 WATER CIRCULATOR (if fitted)				
INPUT	kW	Btu/h	MJ/h	
	4.4	18,000	15.83	
OUTPUT	kW	Btu/h	MJ/h	
	3.32	11,340	11.96	

Dimensions



Fan Performance Graph



RELIABILITY YOU CAN TRUST

Rhosili Road, Brackmills, Northampton NN4 7LZ Telephone: 01604 762881 Fax: 01604 767408

In the interests of continuous development Johnson & Starley reserve the right to change specification without prior notice.

Publication No. ZZ997-3
August 2009