



Johnson & Starley

Hi-Spec J25

Warm Air Heater

Gas Fired, Open Flue, Downflow Air Heater

Designed for replacing early compact air heaters and upgrading systems to modern standards of comfort and efficiency. HI-SPEC J25 is a gas fired, open flue, downflow air heater, with an output of 5.6 - 7.3kW (19,000 - 25,000 Btu/h)

FEATURES

- **Basic Control As Standard**
- **System E-T Modulating Control Optional**
- **Cleanflow Electronic Air Filtration Optional**
- **OXYPILOT - Atmosphere Sensing Device**
Fitted As Standard
- **Summer Air Circulation As Standard**
- **Circulator Water Heater Optional**
(Internally Fitted)

Output: HIJAN 6 = 3.3kW - 3.8kW
(11,340 - 13,000 Btu/h)



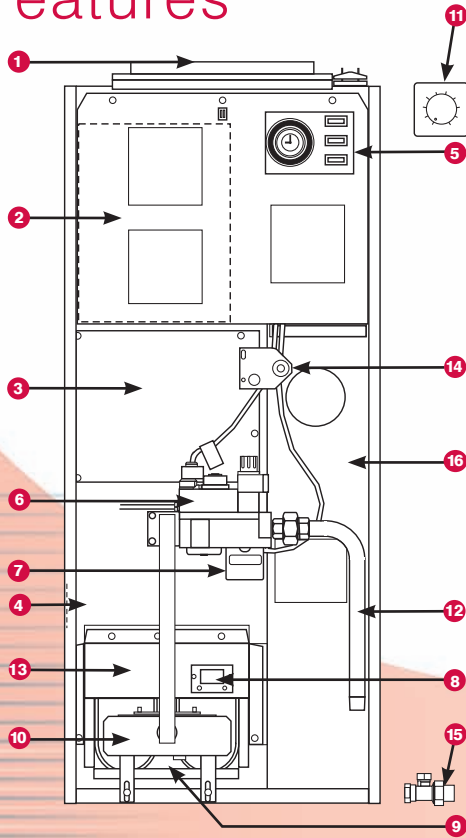
Installation Options: Compartment

Fully Compliant with
PART L
BUILDING REGULATIONS

RELIABILITY YOU CAN TRUST

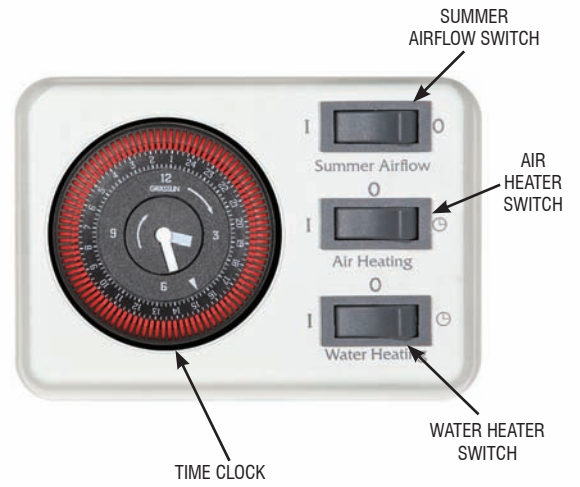
www.johnsonandstarley.co.uk

Features



1. Air Filter
2. Air Circulator Fan
3. Heat Exchanger Access Cover
4. Data Plate
5. Time Control Module
6. Multi-Functional Control
7. Fan Delay/Overheat (Limit) Control
8. Viewing Port
9. Pilot Burner
10. Burner Bar Assembly
11. Thermista-stat (System E-T Model)
12. Gas Supply Pipe
13. Heat Shield
14. Piezo Igniter Unit
15. Union Gas Cock
16. Water Heater (Optional HIJAN - 6)

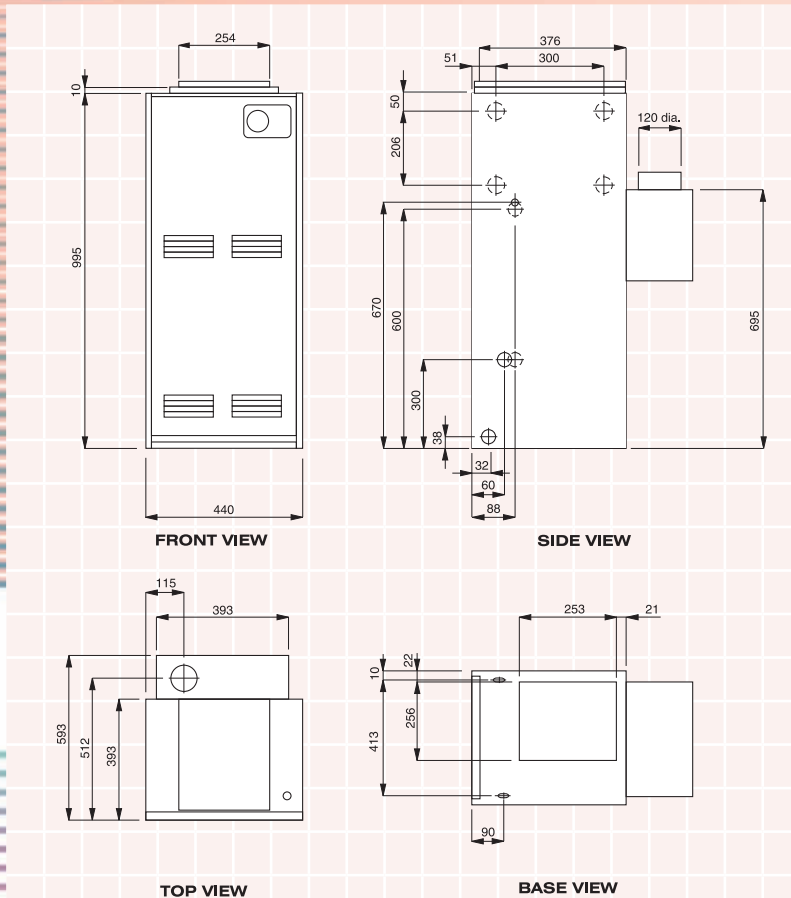
Control Clock



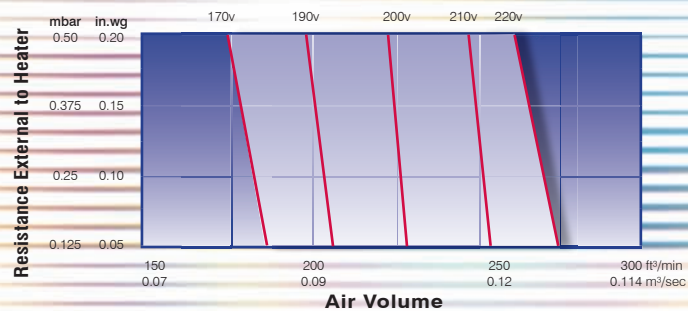
Specifications

HI-SPEC J25				
INPUT	kW	Btu/h	MJ/h	
Low	7.6	25,780	27.1	
High	9.7	33,250	35.1	
OUTPUT	kW	Btu/h	MJ/h	
Low	5.6	19,000	20.0	
High	7.3	25,000	26.4	
WEIGHT	Air Heater		Air Heater & Water Circulator	
	Kgs	lbs	Kgs	lbs
	38.0	84	45.0	101
Flue Diameter 100mm				
HIJAN 6 WATER CIRCULATOR (if fitted)				
INPUT	kW	Btu/h	MJ/h	
	4.4	15,000	15.83	
OUTPUT	kW	Btu/h	MJ/h	
	3.32	11,340	11.96	

Dimensions



Fan Performance Graph



RELIABILITY YOU CAN TRUST

Rhosili Road, Brackmills, Northampton NN4 7LZ Telephone: 01604 762881 Fax: 01604 767408

In the interests of continuous development Johnson & Starley reserve the right to change specification without prior notice.

Publication No. ZZ989-4
August 2009