

# STAND-OFF KIT (INC. UPWARD PIPING)

---

LOGIC System

LOGIC + System

When replacing any part on this appliance, use only spare parts that you can be assured conform to the safety and performance specification that we require. Do not use reconditioned or copy parts that have not been clearly authorised by Ideal.

For the very latest copy of literature for specification and maintenance practices visit our website [www.idealheating.com](http://www.idealheating.com) where you can download the relevant information in PDF format.

This kit is suitable for the following boilers:

Logic System 15 ..... G.C. No. 41-750-24  
 Logic System 18 ..... G.C. No. 41-750-25  
 Logic System 24 ..... G.C. No. 41-750-26  
 Logic System 30 ..... G.C. No. 41-750-27

Logic + System 15 ..... G.C. No. 41-750-29  
 Logic + System 18 ..... G.C. No. 41-750-30  
 Logic + System 24 ..... G.C. No. 41-750-31  
 Logic + System 30 ..... G.C. No. 41-750-32

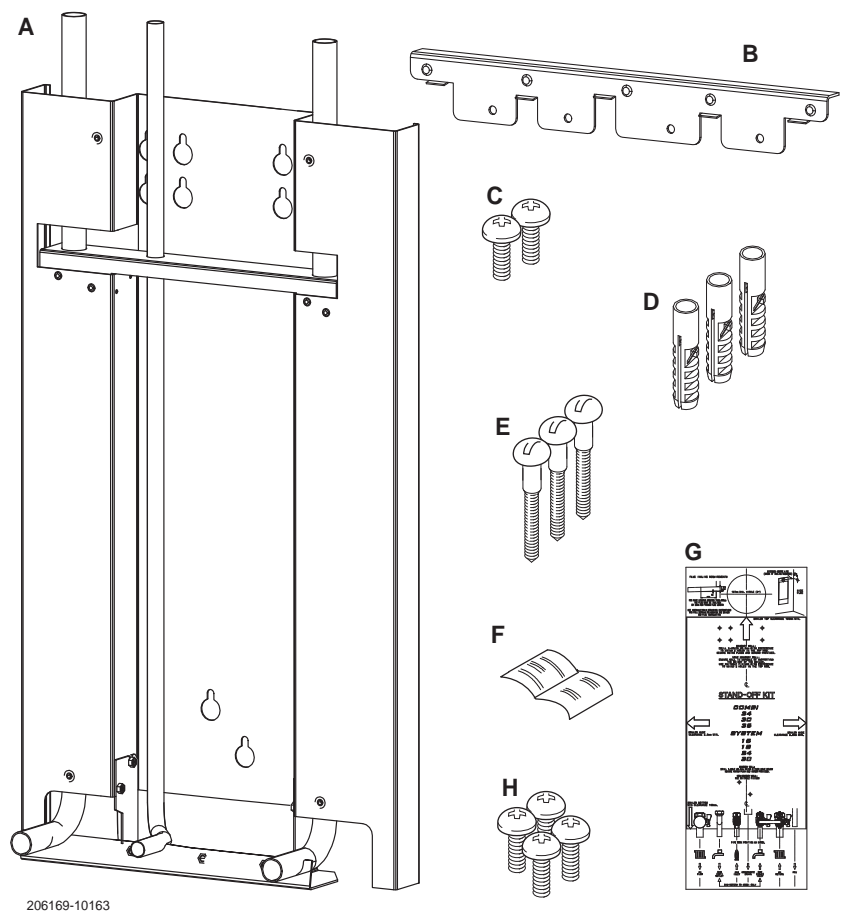
## INTRODUCTION

The Stand-off Kit is a separately supplied pack to facilitate upward routing of the system flow and return pipework between the back of the above boilers and the wall.

This kit provides CH and gas pipes to fit behind the boiler. It also includes an electrical cross bonding bracket for equipotential bonding

## 1 KIT CONTENTS

- A. Stand off Frame
- B. Clamp Cross Bond
- C. M6 x 10 PP Hd screws - 2 off
- D. Wall Plug - 3 off
- E. No. 10 x 50mm Wood Screw - 3 off
- F. Installation Instructions
- G. Wall Mounting Template
- H. M4 x 16 PP Hd Screw - 4 off



## 2 PREPARATION

Prepare the boiler for installation, according to the Installation & Servicing Instructions.

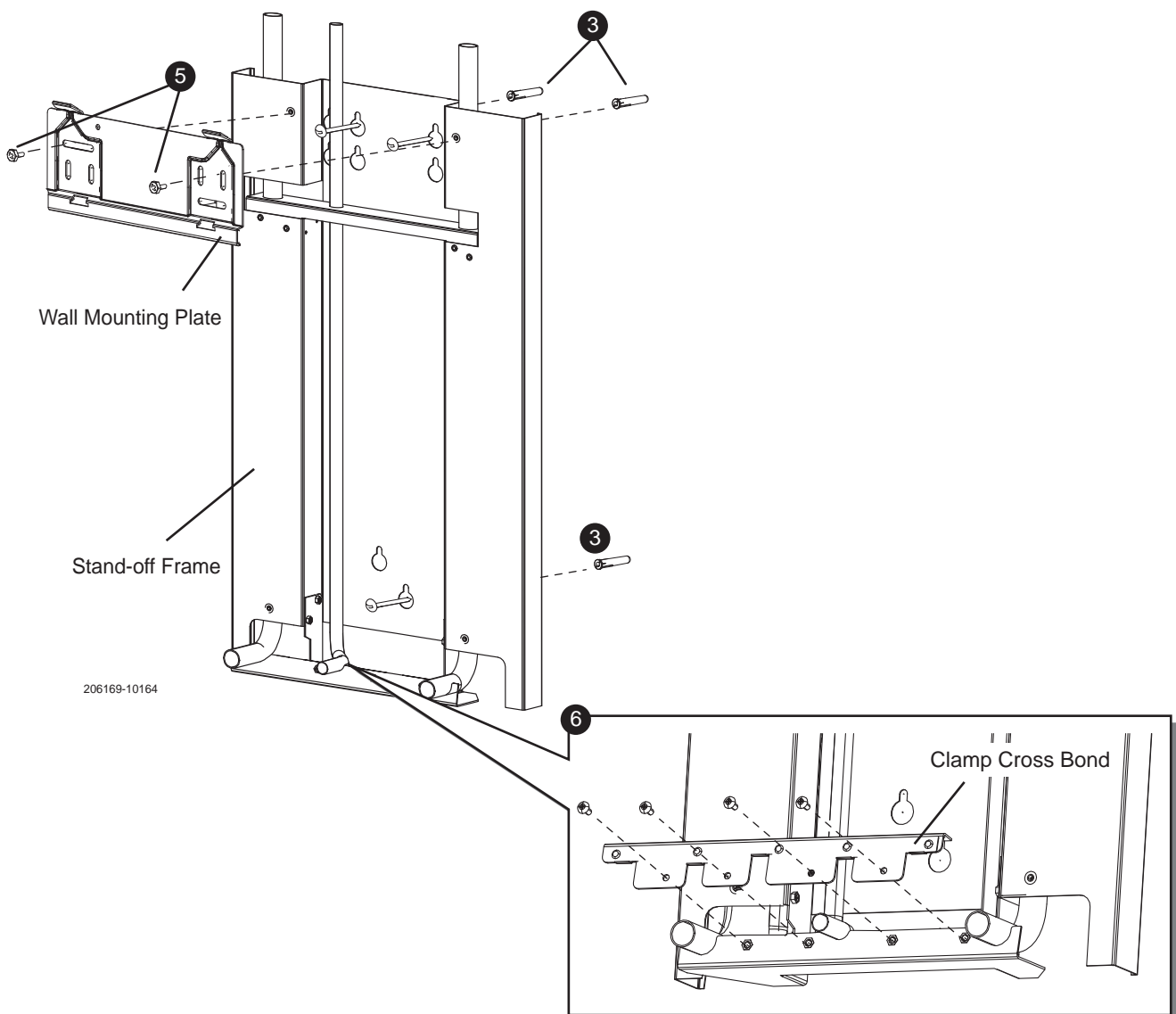
### Note.

*If the side flue installation is being used particular attention should be given to the Installation & Servicing Instructions and the wall mounting template to ensure the flue hole is correctly located.*

### 3 INSTALLATION

1. Use the wall mounting template to determine the correct positioning of the boiler and stand-off frame.
2. Drill three holes for fastening the stand-off frame as instructed on the template.
3. Insert wall plugs provided.
4. Screw the stand-off frame to the wall, using the screws provided.
5. Secure the boiler wall mounting plate to the stand-off frame using the 2 M6 screws.
6. Loosely fit clamp cross bond to pipe support bracket using the 4 M5x16 screws provided.
7. Mount the boiler to the wall plate in accordance with the Installation & Servicing Instructions.
8. Discard all copper pipe tail hardware supplied in the boiler's hardware pack. When doing this take care to retain ball valves, seals and pipe nuts.
9. Fit isolating ball valves to the boiler in accordance with the Installation & Servicing Instructions ensuring all sealing washers are correctly placed.
10. When valves are fitted and secured, tighten the 4 screws securing the cross bond.

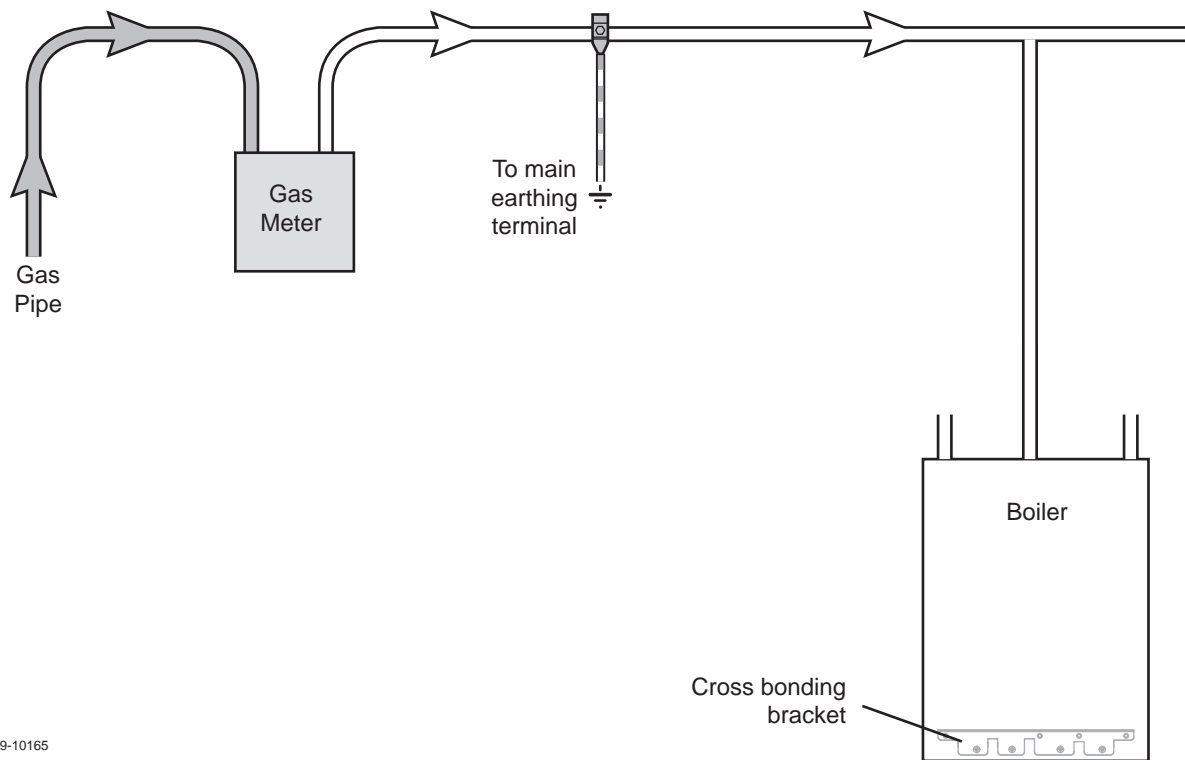
**Note.** It is advised that the clamp cross bonding is checked by a qualified electrician. See Frame 4.



**Safety Valve Drain Connection** - Connect installer -fabricated pipework to safety valve connection stub.

## 4 EQUIPOTENTIAL BONDING

Equipment bonding should be carried out in accordance with IEE Wiring Regulations (BS 7671:2001)



## 5 FINALLY

1. Go to Flue Outlet section in the Installation and Servicing manual.
2. Complete the installation and commissioning of the boiler, according to the Installation & Servicing manual.

### Technical Training

The Ideal Technical Training Centre offers a series of first class training courses for domestic, commercial and industrial heating installers, engineers and system specifiers. For details of courses please ring: .....01482 498 432

**Ideal Boilers**, P.O. Box 103, National Ave, Kingston upon Hull, HU5 4JN. Telephone: 01482 492 251 Fax: 01482 448 858. Registration No. London 322 137.

**Ideal Stelrad Group** pursues a policy of continuing improvement in the design and performance of its products. The right is therefore reserved to vary specification without notice.



Ideal Stelrad Group

***Ideal Installer/Technical Helpline: 01482 445570***

***www.idealheating.com***