

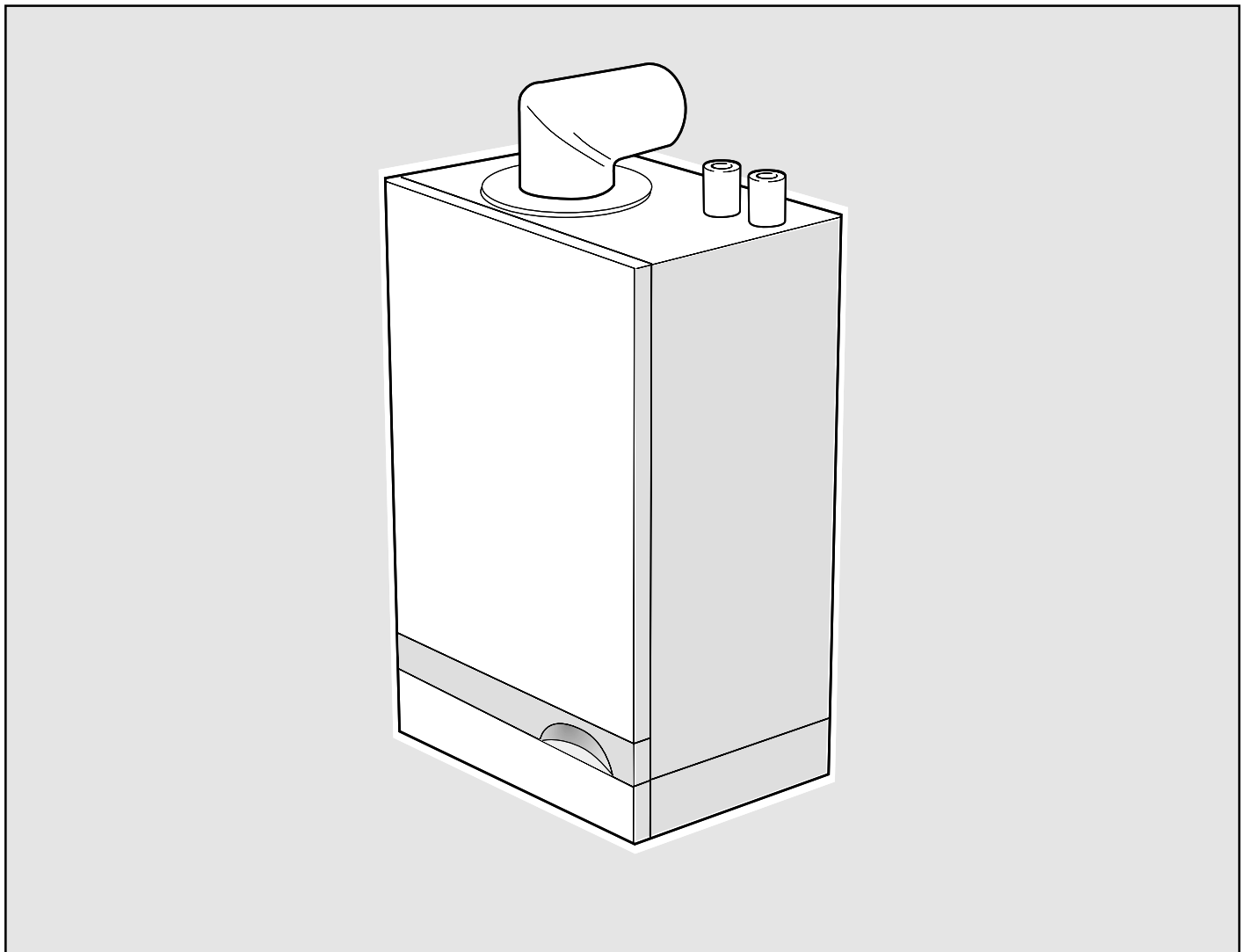
Minimiser FF 30-80

User's Instructions

Wall Mounted, Fanned, Super Efficient Gas Boilers

Natural Gas Models Only

Minimiser	G.C. Appliance No.	Minimiser	G.C. Appliance No.
FF 30	41 387 16	FF 60	41 387 19
FF 40	41 387 17	FF 70	41 387 20
FF 50	41 387 18	FF 80	41 387 21



NOTE TO THE INSTALLER: LEAVE THESE INSTRUCTIONS WITH THE HOUSEHOLDER

i Ideal BOILERS

The **Minimiser** is a wall mounted room sealed, super efficient condensing boiler, featuring full sequence automatic spark ignition and fan assisted combustion.

Due to the very high efficiency, condensate is produced from the flue gases and this is drained to a suitable disposal point through the plastic waste pipe at the right lower rear of the boiler. A condensate 'plume' will also often be visible at the flue terminal.

GAS SAFETY (INSTALLATION AND USE) REGULATIONS, 1994.

In your own interest, and that of safety, it is the law that this boiler must be installed by a CORGI registered installer, in accordance with the above regulations.

It is essential that the instructions in this booklet are strictly followed, for safe and economical operation of the boiler.

ELECTRICITY SUPPLY

This appliance must be connected to the supply via a double-pole switch, fused at 3 A.

IMPORTANT NOTES

THIS APPLIANCE MUST NOT BE OPERATED WITHOUT THE CASING CORRECTLY FITTED AND FORMING AN ADEQUATE SEAL.

If the boiler is installed in a compartment then the compartment MUST NOT be used for storage purposes.

Clearances of 145mm (7 3/4") above, 100mm (4") below, 5mm (1/4") at the sides and 450mm (17 3/4") at the front of the boiler casing must be allowed for servicing.

If it is known or suspected that a fault exists on the boiler then it MUST NOT BE USED until the fault has been corrected by a CORGI registered installer.

TO LIGHT THE BOILER (see illustration on page 3)

Access to the controls is made by swinging the controls pod door downward.

If a programmer is fitted, refer to separate instructions for the programmer before continuing.

1. Check that the electricity supply to the boiler is OFF.
2. Ensure that the gas and water supplies to the boiler are OPEN and external controls are calling for heat.
3. Switch ON the electricity supply to the boiler at the mains electricity supply socket.
4. Turn the boiler thermostat (B) to position 6.
5. Almost immediately the ignition electrode will operate and the boiler will ignite.
6. Should the boiler fail to ignite, turn the boiler thermostat to position 0, wait for 10 seconds then turn back to position 6.
7. Immediately after ignition the 'Burner on' neon (A) will illuminate.
8. If the 'Burner on' neon (A) fails to light after repeated attempts, switch off the electrical supply to the boiler and consult a CORGI registered installer.

WARNING.

If no frost protection is provided and frost is likely during a short absence from home, leave the room thermostat and cylinder thermostat at a reduced setting.

For longer periods, the entire system should be drained - including the domestic water supply and boiler heat exchanger.

If the system includes a frost thermostat then, during cold weather, the boiler should be turned OFF at the time switch(es) ONLY.

The mains supply should be left switched ON.

TO SHUT DOWN THE BOILER

1. For short periods

Switch OFF the electrical supply to the boiler.

When heating is again required, restore supply to the boiler.

2. For longer periods

Switch OFF the electrical supply to the boiler or, if a frost thermostat is fitted, at the time switch.

TO RELIGHT THE BOILER

Repeat the procedure 1 - 8, detailed in 'To light the boiler'.

ESCAPE OF GAS

Should a gas leak or fault be suspected contact your local gas supplier without delay.

Do NOT search for gas leaks with a naked flame.

CONDENSATE DRAIN

The condensate drain must not be modified or blocked.

Blockage of the condensate drain, caused by debris or freezing, can cause automatic shutdown of the boiler.

If freezing is suspected and the pipe run is accessible an attempt may be made to free the obstruction by pouring hot water over the exposed pipe and clearing any blockage from the end of the pipe. If this fails to remedy the problem the assistance of a CORGI registered installer should be sought.

CLEANING

For normal cleaning simply dust with a dry cloth.

To remove stubborn marks and stains use a damp cloth and mild detergent.

DO NOT use abrasive cleaning materials.

CONTROL OF WATER TEMPERATURE

1. Set the boiler thermostat knob to give the required temperature
2. The boiler thermostat automatically switches the main burner OFF and ON to maintain the selected temperature.

Approx. flow temperatures for the boiler thermostat settings are:

Knob Setting	Flow Temperature	
	°C	°F
1	50	120
2	50	120
3	66	150
4	71	160
5	77	170
6	82	180

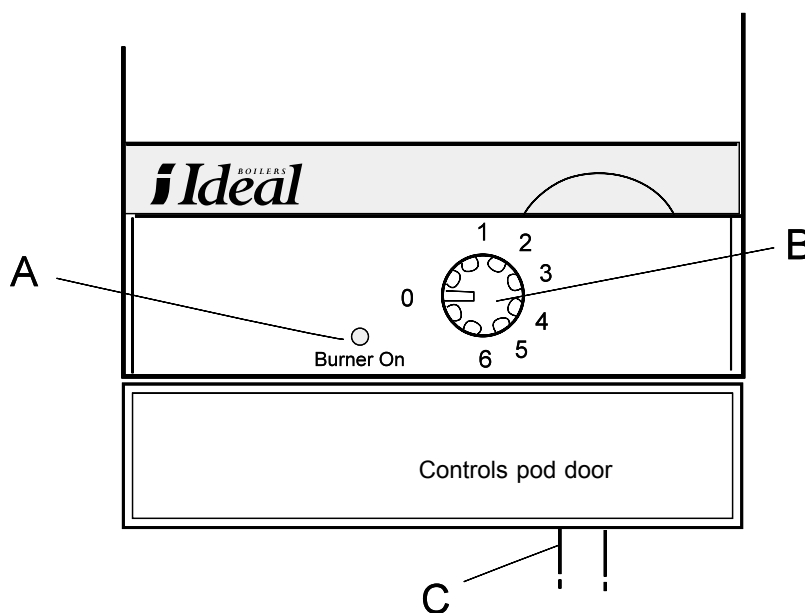
MAINTENANCE

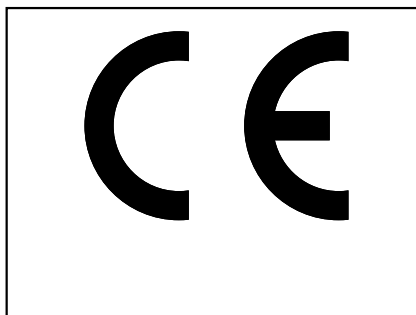
The appliance should be serviced at least once a year by a CORGI registered installer.

BOILER CONTROLS

LEGEND

- A 'Burner on' neon
- B Thermostat knob
- C Condensate drain





CARADON IDEAL Ltd. pursues a policy of continuing improvement in the design and performance of its products. The right is therefore reserved to vary specification without notice.

CARADON IDEAL Ltd,

P.O. Box 103, National Avenue,
Kingston upon Hull,
North Humberside. HU5 4JN.

Telephone: 01482 492 251 Fax: 01482 448 858.

Registration No. London 322 137.

Registered Office; National Avenue, Kingston upon Hull,
North Humberside, HU5 4JN.

A subsidiary of Caradon p.l.c

May 1995 111 812 A02

Customer Care & Technical Support

Please use the following numbers for speedy assistance.

Ideal Parts Tel: 01482 498 665
..... Fax: 01482 498 489

Customer Care & Technical Support.

Scotland/N. England/Midlands Tel: 01482 498 636
Southern England/S. Wales Tel: 01482 498 660
..... Fax: 01482 498 666

Publications/literature Tel: 01482 498 467

i *Ideal* BOILERS