

# users guide

## Classic Slimline

Your Ideal users guide

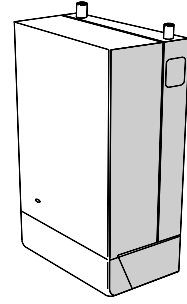
# FF 330 - 360

When replacing a part on this appliance use only spare parts that you can be assured conform to the safety and performance specification that we require. Do not use reconditioned or copy parts that have not been clearly authorised by Ideal Boilers.

**i** BOILERS *Ideal*  
ENGINEERED FOR PEACE OF MIND

# CLASSIC SLIMLINE FF (Natural Gas Models Only)

Classic Slimline FF 330 ..... G.C. No. 41 392 02  
 Classic Slimline FF 340 ..... G.C. No. 41 392 03  
 Classic Slimline FF 350 ..... G.C. No. 41 392 04  
 Classic Slimline FF 360 ..... G.C. No. 41 392 05



## Introduction

It is essential that the instructions in this booklet are strictly followed, for safe and economic operation of the boiler.

## Current Gas Safety (Installation & Use) Regulations or rules in force.

In your own interest, and that of safety, it is the law that this boiler must be installed by a CORGI registered installer or in IE a competent person, in accordance with the above regulations.

## Electricity supply

**This appliance must be efficiently earthed.**

Supply: 230 V ~ 50 Hz. The fusing should be 3A.

Connection must be made in a way that allows complete isolation of the electrical supply such as a double pole switch having a 3mm (1/8") contact separation in both poles, or a plug and socket, serving only the boiler and system controls. The means of isolation must be accessible to the user after installation.

## Important notes

- This appliance must not be operated without the casing correctly fitted and forming an adequate seal.
- If the boiler is installed in a compartment then the compartment **MUST NOT** be used for storage purposes.
- The ventilation provided for the boiler during installation **MUST NOT** be blocked, and a check should be made periodically that the ventilation areas are free from any obstruction.
- If it is known or suspected that a fault exists on the boiler then it **MUST NOT** be used until the fault has been corrected by a CORGI registered installer or in IE a competent person.
- Inflammable materials must not be placed in close proximity to the appliance. Materials giving off flammable vapours must not be stored in the same room as the appliance.
- Under **NO** circumstances should any of the sealed components on this appliance be used incorrectly or tampered with.

## Minimum clearances

After the removal of any concealment panel a clearance of 533mm (21") **MUST** be available at the front of the boiler for servicing.

The following minimum clearances **MUST** be complied with in order to maintain the safe running of the boiler and to facilitate servicing.

Above the boiler	100 mm	(4")
At each side of the boiler	5 mm	(1/4")
Underneath the boiler	100 mm	(4")
In front of the boiler	5 mm	(1 / 4 ")

## To light the boiler. Refer to Frame 1

- CHECK THAT THE ELECTRICITY SUPPLY TO THE BOILER IS OFF.
- Open the controls access door by hinging downwards.
- Ensure that the gas inlet cock (B) is OPEN.
- Press the overheat reset button (D), located as shown in Frame 1.
- Ensure that the mains on/off switch (E) is in the OFF position.
- Switch ON the electricity supply to the boiler. Check that all external controls, e.g. room thermostat etc., are ON.
- Turn the boiler thermostat knob (C) to position 6 and the mains on/off switch (E) to ON. After about 15 seconds the boiler will light automatically - this can be viewed through the sight glass (A). Set the boiler thermostat to the desired position.
- Close the controls access door.

In **winter conditions**, i.e. central heating and domestic hot water, the thermostat should be set at position 5 or 6.

For **summer conditions**, i.e. domestic hot water only, the thermostat should be set at position 3.

These settings, however, are offered for general guidance only and other settings may be found preferable, dependent upon the type of system installed or as recommended by the installer.

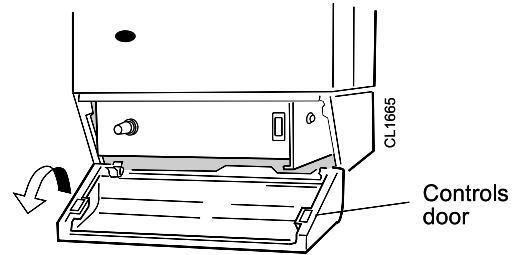
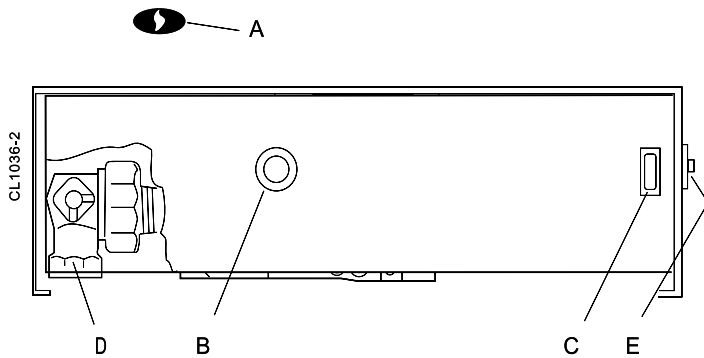
Approximate flow temperatures for the boiler thermostat settings are:

Knob Setting	Flow Temperature	
	°C	°F
1	56	133
2	61	142
3	66	152
4	72	161
5	77	170
6	82	180

**CAUTION. To avoid the possibility of injury during the installation, servicing or cleaning of this appliance care should be taken when handling edges of sheet steel components**

# 1 BOILER CONTROLS

View inside boiler controls area



## LEGEND

- A Sightglass.
- B Thermostat knob.
- C Mains on/off switch.
- D Gas service cock (shown in the OPEN position).
- E Overheat thermostat reset button.

## To shut down the boiler

### 1. For short periods

Turn the boiler on/off switch (E) to OFF. When heating is again required, restore the switch to ON.

### 2. For longer periods

Turn the boiler ON/OFF switch (E) to OFF. Switch the electricity supply to OFF.

## Frost protection

If no frost protection is provided and frost is likely during a short absence from home, leave the heating controls at a reduced temperature setting.

For longer periods, the entire system should be drained - including the domestic water supply. If the system includes a frost thermostat then, during cold weather, the boiler should be turned OFF at the time switch(es) ONLY. The mains supply should be left switched ON, with the boiler thermostat left in the normal running position.

## Boiler overheat thermostat

(Fitted for sealed systems only)

The boiler is fitted with a safety 'cutout' thermostat. This will shut down the boiler in the event of overheating. Should this occur allow the boiler to cool, press the reset button (D) then relight as detailed in steps 1-8 in 'To light the boiler'.

*If the cutout condition still persists turn off the boiler and consult a CORGI registered installer or in IE a competent person.*

## Control of water temperature

1. Adjust the boiler thermostat (C) to give the required temperature for central heating.
2. The boiler thermostat automatically switches the main burner OFF and ON to maintain the selected temperature.

## To relight the boiler

Repeat the procedure 1 - 8, detailed in 'To light the boiler'.

## Loss of system water pressure

If the red arrow on the system pressure gauge is set above zero and the system pressure is seen to fall below this value over a period of time then a water leak is indicated. In this event a CORGI registered installer or in IE a competent person should be consulted.

**DO NOT OPERATE THE BOILER IF THE PRESSURE HAS REDUCED TO ZERO FROM THE ORIGINAL SETTING.**

## Escape of gas

Should a gas leak be suspected, contact your local gas supplier without delay.

**Do NOT search for gas leaks with a naked flame.**

## Cleaning

For normal cleaning simply dust with a dry cloth. To remove stubborn marks and stains, wipe with a damp cloth and finish off with a dry cloth.

**Do NOT use abrasive cleaning materials.**

## Maintenance

The appliance should be serviced at least once a year by a CORGI registered installer or in IE a competent person.

All CORGI registered installers carry a CORGI ID card, and have a registration number. Both should be recorded in your **Benchmark** Log Book. You can check your installer by calling CORGI direct on 01563 72300

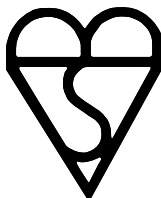
**THE LOG BOOK SHOULD BE COMPLETED AFTER EACH SERVICE AND KEPT WITH THESE INSTRUCTIONS**





*The code of practice for the installation,  
commissioning & servicing of central heating systems*

Caradon Ideal Limited is a member of the Benchmark initiative and fully supports the aims of the programme. Benchmark has been introduced to improve the standards of installation and commissioning of central heating systems in the UK and to encourage the regular servicing of all central heating systems to ensure safety and efficiency.



CERTIFIED PRODUCT  
Manufactured under a BS EN  
ISO 9001:1994 Quality  
System accepted by BSI.



Natural Gas  
appliances are  
service listed by  
British Gas

**Ideal Boilers**, P.O. Box 103,  
National Ave, Kingston upon Hull,  
HU5 4JN. Telephone: 01482 492  
251 Fax: 01482 448 858.  
Registration No. London 322 137.

**Caradon Ideal Limited** pursues a policy  
of continuing improvement in the design  
and performance of its products. The  
right is therefore reserved to vary  
specification without notice.

**i Ideal** BOILERS  
**ENGINEERED FOR PEACE OF MIND**

March 2003

157 021 A02

**Caradon**  
Ideal Limited

***Ideal Consumer Helpline Tel: 01482 498 660***

***www.idealboilers.com***