

Classic Combi NF 280

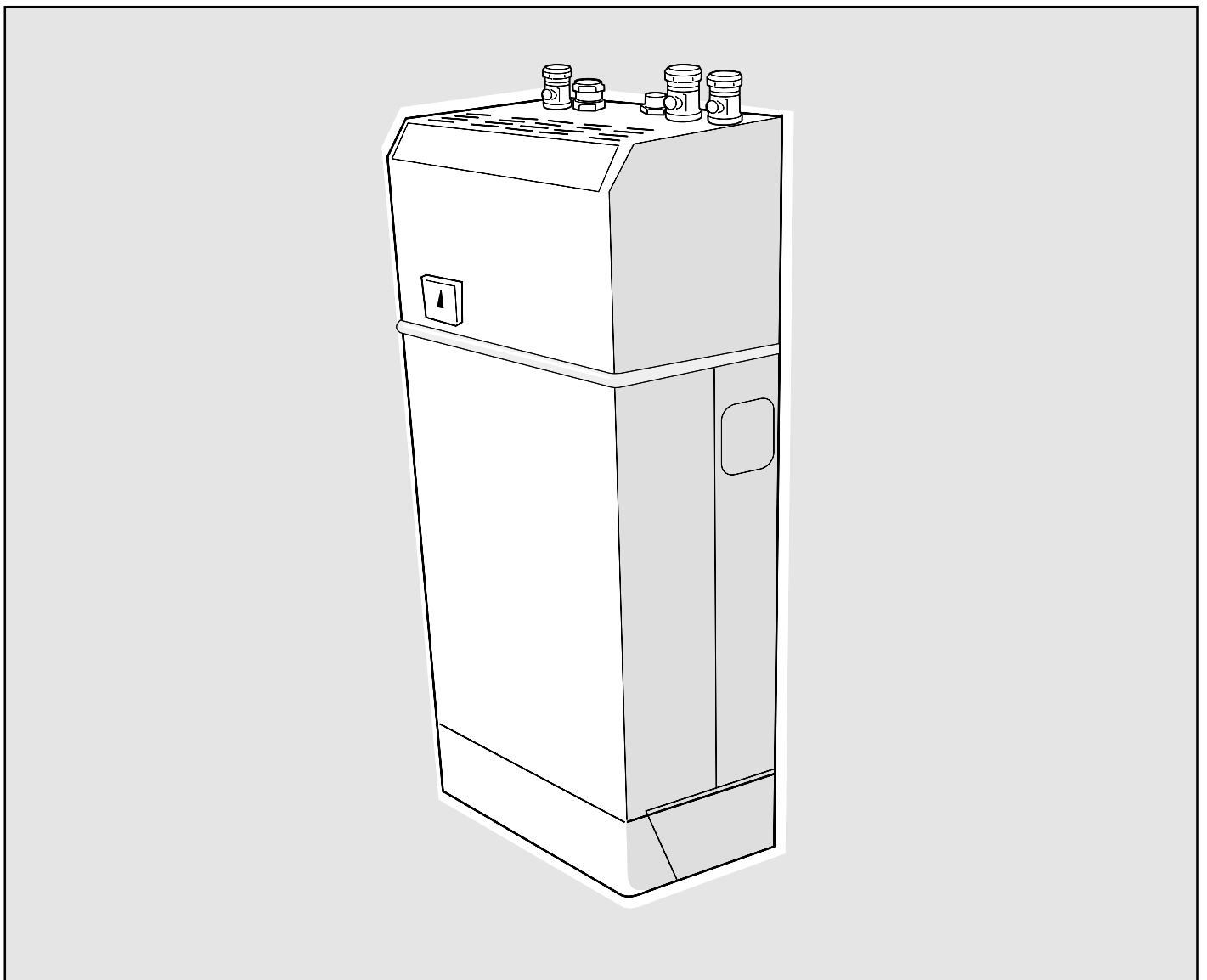
User's Instructions

Wall Mounted, Fanned, Balanced Flue Gas Boiler

Natural Gas Model

Classic
NF 280


G.C. Appliance No.
47 415 08



NOTE TO THE INSTALLER: LEAVE THESE INSTRUCTIONS ADJACENT TO THE GAS METER

i **BOILERS**
Ideal

GAS SAFETY (INSTALLATION AND USE) REGULATIONS, 1994.

It is law that **all** gas appliances are installed by a CORGI registered installer identified by  in accordance with the above regulations.

Failure to install appliances correctly could lead to prosecution. It is in your own interest, and that of safety, to ensure the law is complied with.

ELECTRICITY SUPPLY

This appliance must be connected to the supply via a double pole switch fused at 3 Amps.

MINIMUM CLEARANCES

The minimum clearances given below **MUST** be complied with, in order to maintain the safe running of the boiler and to facilitate servicing.

Above the boiler	100 mm (4")
At each side of the boiler	5 mm (1/4")
Underneath the boiler	100 mm (4")
In front of the boiler	450 mm (17 3/4")

IMPORTANT NOTES

- THIS APPLIANCE MUST NOT BE OPERATED WITHOUT THE CASING CORRECTLY FITTED AND FORMING AN ADEQUATE SEAL.
- If the boiler is installed in a compartment then the compartment **MUST NOT** be used for storage purposes.
- The ventilation provided for the boiler during installation **MUST NOT** be blocked and a check should be made periodically that the ventilation areas are free from any obstruction.
- If it is known or suspected that a fault exists on the boiler then it **MUST NOT** be used until the fault has been corrected by a competent person.

It is essential that the instructions in this booklet are strictly followed, for safe and economical operation of the boiler.

The **Classic Combi NF 280** is a combination boiler providing both central heating and instantaneous domestic hot water.

TO LIGHT THE BOILER.

Refer to the illustration on page 3

- CHECK THAT THE ELECTRICITY SUPPLY TO THE BOILER IS OFF.
- Open the controls access door by hinging downwards.
- Ensure that the burner on/off switch (C) is OFF and the CH/ HW switch (B) is set to HW ONLY. Also ensure that all hot water taps are turned OFF.
- Switch ON the electricity supply to the boiler and check that all external controls, e.g. programmer, room thermostat, etc. are ON.
If a programmer is fitted then refer to the instructions provided.
- Set the burner on/off switch (C) to ON and the CH/HW switch (B) to the desired position. After about 15 seconds the boiler will light automatically - this can be viewed through the sight glass (A).
- Close the controls access door.

OPERATION

In **winter conditions**, i.e. central heating and domestic hot water, set the CH/HW switch (B) to CH & HW and the burner on/off switch (C) to ON.

The boiler will fire and supply heat to the radiators but will give priority to domestic hot water when required.

The domestic hot water pre-heat will operate as described under 'summer conditions', during periods when there is no call for central heating, i.e. when the programmer and/or room thermostat is OFF - unless it is also timed.

For **summer conditions**, i.e. domestic hot water only, set the CH/HW switch (B) to HW ONLY and the burner on/off switch (C) to ON.

The boiler will fire for approximately three minutes at low rate, to pre-heat the domestic hot water calorifier. Thereafter it will fire periodically for a few seconds in order to maintain the temperature. This will occur 24 hours a day unless a programmer is fitted, allowing the pre-heat to be timed - refer to the separate Programmer Instructions.

Note.

With timed domestic hot water pre-heat, the domestic hot water may take longer to attain maximum temperature at the beginning of the ON periods.

CONTROL OF WATER TEMPERATURE

DOMESTIC HOT WATER

The domestic hot water draw-off temperature is limited by the low rate gas control to approximately 70°C at the minimum water draw-off rate of about 3.5 litre/min. (0.8 gpm).

Additionally, the draw-off temperature is controlled by adjusting the flow rate at the tap - the lower the draw-off rate, the higher the temperature, and vice versa.

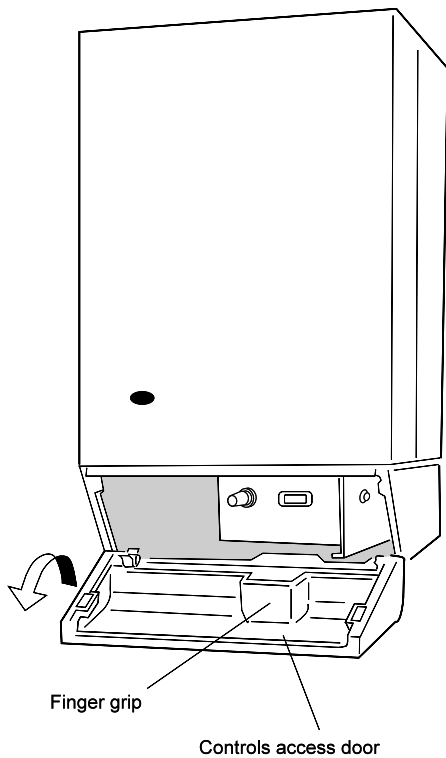
At higher domestic hot water draw-off rates (greater than 6.0 litre/min. - 1.3 gpm) the boiler will fire at full gas rate.

CENTRAL HEATING

The boiler control, firing at full gas rate, automatically maintains the central heating radiator temperature at approximately 80°C.

Ideal Classic Combi NF

BOILER CONTROLS



LEGEND

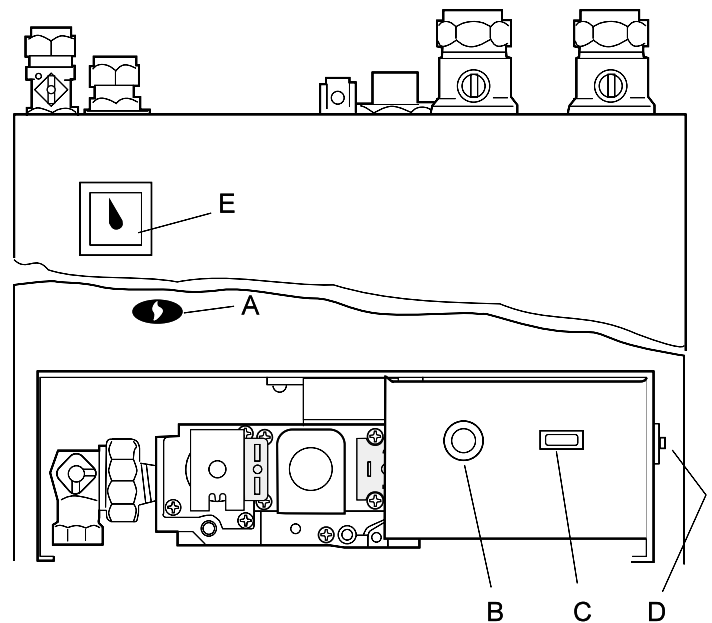
A Sightglass

B CH. /HW. Switch

C Burner On / Off switch

D Overheat thermostat reset button

E Central heating pressure gauge



View inside boiler controls area

TO SHUT DOWN THE BOILER

1. For short periods

Set the burner on/off switch (C) to OFF.
When heating is again required, reset the switch to ON.

2. For longer periods

Set the burner on/off switch (C) to OFF.
Switch the electricity supply to OFF.

WARNING.

If no frost protection is provided and frost is likely during a short absence from home, leave the heating controls (if fitted) at a reduced temperature setting.

For longer periods, the entire system should be drained - including the domestic water supply. If the system includes a frost thermostat then, during cold weather, the boiler should be turned OFF at the time switch(es) ONLY. The mains supply should be left switched ON, with the boiler thermostat left in the normal running position.

BOILER OVERHEAT THERMOSTAT

The boiler is fitted with a safety 'cutout' thermostat. This will shut down the boiler in the event of overheating. Should this occur allow the boiler to cool, press the overheat reset button (D) then relight as detailed in steps 1-5 in 'To light the boiler'.

If the cutout condition still persists turn off the boiler and consult your local Corgi registered installer.

Ideal Classic Combi NF

LOSS OF SYSTEM WATER PRESSURE

The gauge (E) on the Combi module indicates the central heating system pressure.

If the red arrow on the pressure gauge (E) is set above zero and the system pressure is seen to fall below this value over a period of time then a water leak is indicated. In this event your Corgi registered installer should be consulted.

DO NOT OPERATE THE BOILER IF THE PRESSURE HAS REDUCED TO ZERO FROM THE ORIGINAL SETTING.

ESCAPE OF GAS

Should a gas leak be suspected, contact your local gas supplier without delay.

Do NOT search for gas leaks with a naked flame.

CLEANING

For normal cleaning simply dust with a dry cloth.

To remove stubborn marks and stains, wipe with a damp cloth and finish off with a dry cloth.

Do NOT use abrasive cleaning materials.

MAINTENANCE

The appliance should be serviced at least once a year by a Corgi registered installer.



**THIS SYMBOL IS YOUR
ASSURANCE OF QUALITY**

These appliances are designed for use with Natural Gas only. They have been tested and conform with the provisions of BS. 6332 and BS. 5258.



CERTIFIED PRODUCT
Manufactured under a BS 5750 Quality
System accepted by BSI

Customer Care & Technical Support

Please use the following numbers for speedy assistance.

Spares..... *Tel: 01482 498 665*

..... *Fax: 01482 498 489*

Customer Care & Technical Support.

Scotland/N. England/Midlands Tel: 01482 498 636

Southern England/S. Wales Tel: 01482 498 660

..... *Fax: 01482 498 666*

Publications/literature..... *Tel: 01482 498 467*

CARADON IDEAL Ltd. pursues a policy of continuing improvement in the design and performance of its products. The right is therefore reserved to vary specification without notice.

CARADON IDEAL Ltd.,

P.O. Box 103, National Avenue,

Kingston upon Hull,

North Humberside. HU5 4JN.

Telephone: 01482 492 251

Fax: 01482 448 858.

Registration No. London 322 137.

Registered Office; National Avenue, Kingston upon Hull,

North Humberside, HU5 4JN.

A subsidiary of Caradon p.l.c

January 1995

112 226 A01

i *Ideal* BOILERS