

**INSTALLATION &  
SERVICING INSTRUCTIONS  
FOR THE**

**HALSTEAD**

*Finest*

*Finest Gold*

**FULLY AUTOMATIC FAN ASSISTED**

**BALANCED FLUE COMBINATION BOILER**

**FOR USE WITH NATURAL GAS OR PROPANE**

B R I T I S H M A D E B O I L E R S



<b>1</b>	<b>GENERAL DESCRIPTION</b>	
<b>2</b>	<b>TECHNICAL SPECIFICATIONS</b>	<b>1</b>
<b>2.1</b>	Gas Categories	1
<b>2.2</b>	Performance data	1
<b>2.3</b>	Minimum clearances	1
<b>2.4</b>	General specifications	1
<b>2.5</b>	Overall appliance dimensions	1
<b>2.6</b>	Concentric air/flue duct specifications	3
<b>2.7</b>	Optional twin pipe air/flue duct specifications	6
<b>2.8</b>	Exploded diagram	7
<b>2.9</b>	Hydraulic circuit	8
<b>3</b>	<b>INSTALLATION REQUIREMENTS</b>	<b>9</b>
<b>3.1</b>	Statutory requirements	9
<b>3.2</b>	Boiler location	9
<b>3.3</b>	Flue terminal position	9
<b>3.4</b>	Ventilation requirements	10
<b>3.5</b>	Gas supply	10
<b>3.6</b>	Central heating system	10
<b>3.7</b>	Domestic hot water systems	11
<b>3.8</b>	Electricity supply	11
<b>3.9</b>	External controls	11
<b>4.0</b>	<b>INSTALLING THE APPLIANCE</b>	<b>13</b>
<b>4.1</b>	Unpacking the appliance	13
<b>4.2</b>	Installing the multifunctional boiler chassis	13
<b>4.3</b>	Service connections	14
<b>4.4</b>	Fitting the boiler	14
<b>4.5</b>	Gas connection	14
<b>4.6</b>	Pressure relief valve connection	14
<b>4.7</b>	Air/flue duct installation	15
<b>4.8</b>	Wiring instructions	18
<b>5</b>	<b>COMMISSIONING AND TESTING</b>	<b>19</b>
<b>5.1</b>	Filling the water system	19
<b>5.2</b>	Commissioning the central heating circuit	20
<b>5.3</b>	Commissioning the appliance	20
<b>5.4</b>	DHW flow rate	21
<b>5.5</b>	Final checks	21
<b>5.6</b>	Ignition lockout	21
<b>5.7</b>	Overheat thermostat	21
<b>5.8</b>	Frost protection	21
<b>5.9</b>	Other features	21
<b>5.10</b>	User's instructions	21
<b>6</b>	<b>ROUTINE SERVICING INSTRUCTIONS</b>	<b>22</b>
<b>7</b>	<b>INTERNAL WIRING DIAGRAMS</b>	<b>24</b>
<b>7.1</b>	Functional flow diagram	24
<b>7.2</b>	Illustrated wiring diagram	25
<b>8</b>	<b>FAULT FINDING</b>	<b>26</b>
<b>8.1</b>	General	26
<b>8.2</b>	Diagnostic indicator LED's	26
<b>8.3</b>	Start/power up faults	26
<b>8.4</b>	Ignition faults	26
<b>8.5</b>	DHW fault finding	26
<b>8.6</b>	Central heating fault finding	26
<b>9</b>	<b>REPLACEMENT OF PARTS</b>	<b>28</b>
<b>9.1</b>	Heat exchanger	28
<b>9.2</b>	Combustion chamber insulation	28
<b>9.3</b>	Fan assembly	28
<b>9.4</b>	Burner	28
<b>9.5</b>	Ignition and detection electrodes	28
<b>9.6</b>	Multifunctional gas control	29
<b>9.7</b>	Air Pressure switch	29
<b>9.8</b>	Overheat thermostat	29
<b>9.9</b>	PCB	29
<b>9.10</b>	CH/DHW Microswitches	29
<b>9.11</b>	Thermistors D.H.W. or Heating	30
<b>9.12</b>	Water flow/regulator	30
<b>9.13</b>	DHW heat exchanger	30
<b>9.14</b>	DHW flow switch body	30
<b>9.15</b>	Pump	31
<b>9.16</b>	Pressure relief valve	31
<b>9.17</b>	Pressure gauge	31
<b>9.18</b>	Auto air vent	31
<b>9.19</b>	CH expansion vessel	31
<b>9.20</b>	Optional time clock	31
<b>10</b>	<b>SHORTS PARTS LIST</b>	<b>31</b>
<b>11</b>	Supplementary instructions for flue systems with a vertical outlet	32
	SE-DUCT Applications	32
<b>12</b>	Supplementary instructions for flue systems incorporating an additional 90° elbow	33
<b>13</b>	Supplementary instructions for twin pipe flue systems	33

The **Halstead Finest** and **Finest Gold** are fully automatic wall-mounted, fan-assisted, balanced flue, gas combination appliances for use with natural gas (G20). The Finest Range of appliances incorporate a microprocessor based, fully modulating, gas control system with direct burner ignition.

The **Finest Gold** has a higher domestic hot water heat output and provides a higher flow rate. The Finest Propane, as its name suggests is only suitable for use with propane.

The Halstead Finest features an attractive white enamelled casing with an inset control panel situated behind a drop down door. The flue elbow and air ducts are also enamelled white to give a clean, attractive appearance to the installation.

The Finest provides central heating at outputs between 11.0 kW (37,500Btu/h) and 23.4 kW (80,000Btu/h) with instantaneous domestic hot water at outputs between 8.8 kW (30,000 Btu/h) and 26.38 kW (90,000 Btu/h).

The Finest Gold provides similar central heating outputs but has an enhanced domestic hot water performance, providing between 8.8 kW (30,000Btu/h) and 30kW (102,360 Btu/h).

Heat output is controlled according to demand (in both domestic hot water and central heating mode) by the modulating gas control valve. The appliance always gives priority to domestic hot water supply.

The appliance is supplied with a standard telescopic concentric air and flue duct system suitable for flue lengths of up to 820mm (32in). The duct assembly is connected to the boiler via a turret which can exit the boiler in any horizontal direction. Horizontal extension ducts may be fitted in accordance with and up to the maximum dimensions stated in these instructions.

A vertical outlet kit is also available for installations where an outside wall is not accessible and it is desired to fit the duct 'through the roof'.

Where an installation demands an extra long or unusual flue system, an alternative twin duct flue system is available to order. This can only be used on the **Finest** and **Finest Propane** appliances

Installation using the standard flue kit is described in the main text of these instructions and supplementary instructions at the rear of this booklet describe installations involving the vertical outlet kit and the twin duct kit. **NO OTHER FLUE KITS OR EXTENSIONS MAY BE USED WITH THIS APPLIANCE.**

The appliance can be installed from inside the room without access to the external wall providing that a wall liner is fitted and that the wall thickness is less than 0.5m (19in). The wall liner is available as an optional extra. See section 4 for further details. (Note: If the vertical outlet kit is to be used, access to the roof is necessary).

The multifunctional boiler chassis (incorporating the expansion vessel and service connections) may be fitted and pre-filled prior to the boiler body being installed.

The multifunctional boiler chassis allows sufficient space within it, at each side of the expansion vessel, to allow any or all of the water or gas pipes to pass vertically up and out of the top.

The appliance is designed for use with sealed primary water systems and incorporates a circulation pump, diverter valve assembly, pressure gauge, flow switch, safety valve and CH expansion vessel. A separate DHW expansion vessel is not required. Isolation valves are fitted to the service connections, and an automatic heating bypass is fitted to maintain an adequate flow rate through the boiler.

If thermostatic radiator valves are installed we recommend that one radiator is fitted with lockshield valves (normally in the bathroom).

Internal frost protection and an electro-mechanical time clock (with override switch) are fitted as standard equipment, and the boiler may be used with any certified mains voltage room thermostat.

An electronic time clock or ON/OFF switch are available as an optional extras.

**NOTE:** British Standard BS7593: 1992 stresses the importance of cleansing and flushing of the system to ensure it continues to run efficiently with the minimum of maintenance necessary, Halstead Boilers fully support this professional approach and recommend that the system is cleansed with an effective chemical cleanser and protected long term with a suitable inhibitor. Such products are available from Fernox.

## Gas Consumer Council

The Gas Consumer Council (GCC) is an independent organisation which protects the interest of gas users. If you need advice, you will find the telephone number in your local directory under 'Gas'.

# 2

## TECHNICAL SPECIFICATIONS

### 2.1 GAS CATEGORIES AND APPLIANCE CLASSIFICATION

The appliances are Certified to comply with the requirements of prEN 483 and EN 625 for use in GB and IE (Great Britain and Ireland) using the following gas categories:

Finest, Finest Gold: I<sub>2H</sub> (G20 with a governed gas supply at 20 mbar (8 in.wg) inlet pressure)

Finest Propane I<sub>3P</sub> (G31 [Propane] with a regulated gas supply at 37 mbar (14.9 in.wg) inlet pressure)

The appliance classification (as defined in prEN 483) may be any of the following depending on the chosen flue option: C12, C22, or C32.

### 2.2 PERFORMANCE DATA HALSTEAD Finest

MODE	RATE	OUTPUT		INPUT		BURNER PRESSURE mbar (in.wg)
		kw (Btu/h)	INPUT Net kw (Btu/h)	INPUT Gross kw (Btu/h)		
Central Heating	Max	23.45 (80,000)	26.74 (91,250)	29.7 (101,300)	FACTORY SET	
	Min	11 (37,500)	12.95 (44,200)	14.39 (49,100)		
DHW	Max	26.38 (90,000)	29.84 (101,800)	33.14 (113,100)	11.6 (4.6)	
	Min	8.8 (30,000)	11.05 (37,700)	12.28 (41,900)	1.3 (0.5)	

#### GENERAL

Central Heating	Max. gas rate (after 10 mins operation i.e. hot)	2.8 m <sup>3</sup> /h (99 ft <sup>3</sup> /h)
DHW	Min. domestic hot water flow rate	2.8 l/min (0.6 gpm)
	Design domestic hot water performance	11.01 l/min (2.4 gpm) raised 35°C
	Max. domestic hot water temperature	73+/-2°C
	Max. mains water inlet pressure	10 bar (145 psi)
	Min. mains water inlet pressure for operation	0.3 bar (4.4 psi)
	Min. mains water inlet pressure for max heat output	1.0 bar (14.6 psi)
	Max. gas rate (after 10 mins operation i.e. hot)	3.16 m <sup>3</sup> /h (112 ft <sup>3</sup> /h)

### HALSTEAD Finest Gold

MODE	RATE	OUTPUT		INPUT		BURNER PRESSURE mbar (in.wg)
		kw (Btu/h)	INPUT Net kw (Btu/h)	INPUT Gross kw (Btu/h)		
Central Heating	Max	23.45 (80,000)	26.74 (91,250)	29.7 (101,300)	FACTORY SET	
	Min	11 (37,500)	12.95 (44,200)	14.39 (49,100)		
DHW	Max	30 (102,400)	33.78 (115,280)	37.52 (128,000)	15 (6)	
	Min	8.8 (30,000)	11.06 (37,750)	12.28 (41,900)	1.3 (0.5)	

#### GENERAL

Central Heating	Max. gas rate (after 10 mins operation i.e. hot)	2.8 m <sup>3</sup> /h (99 ft <sup>3</sup> /h)
D H W	Min. domestic hot water flow rate	2.8 l/min (0.6 gpm)
	Design domestic hot water performance	13.01 l/min (2.9 gpm) raised 35°C
	Max. domestic hot water temperature	73+/-2°C
	Max. mains water inlet pressure	10 bar (145 psi)
	Min. mains water inlet pressure for operation	0.3 bar (4.4 psi)
	Min. mains water inlet pressure for max heat output	1.4 bar (20.4 psi)
	Max. gas rate (after 10 mins operation i.e. hot)	3.6 m <sup>3</sup> /h (127 ft <sup>3</sup> /h)

### HALSTEAD Finest Propane

As natural gas appliance except where stated below:

MODE	RATE	OUTPUT		INPUT		BURNER PRESSURE	
		kw (Btu/h)	INPUT Net kw (Btu/h)	INPUT Gross kw (Btu/h)	mbar (in.wg)		
Central Heating	Max	23.45 (80,000)	26.59 (90,700)	28.9 (98,600)	9 (3.6)		
	Min	11 (37,500)	12.95 (44,200)	14.08 (48,050)	1.9 (0.8)		
DHW	Max	26.38 (90,000)	29.64 (101,150)	32.22 (109,950)	11.2 (4.5)		
	Min	8.8 (30,000)	10.98 (37,500)	11.93 (40,700)	1.2 (0.5)		

#### GENERAL

Central Heating	Max. gas rate (after 10 mins operation i.e. hot)	2.0 kg/hr.
D H W	Max. gas rate (after 10 mins operation i.e. hot)	2.3 kg/hr.

### 2.3 MINIMUM CLEARANCES

Minimum clearances for installing and servicing the appliance refer to Fig. 1(b) below.

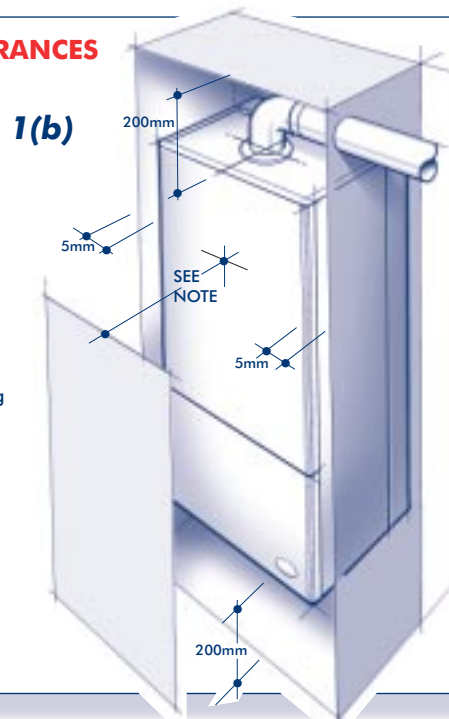
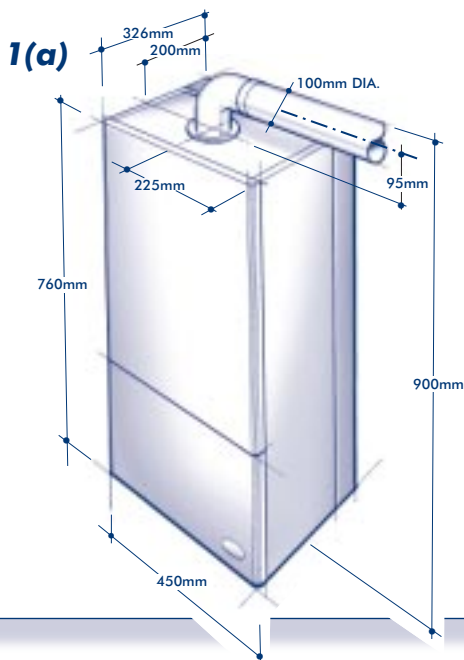
### 2.4 GENERAL SPECIFICATIONS

Main burner injector	4.86mm dia (G20), 3.72mm dia (G31)
Total water capacity	1 litre
Minimum CH system pressure (static head) - Cold	0.5 bar
Maximum CH system pressure (static head) - Hot	2.5 bar
Empty weight	45.5kg
Max lift weight	30.0kg
Total weight (full)	46.5kg
Electrical supply	230V - 50 Hz Fuse at 3A
Internal fuses	F1-2Amp HRC (Ceramic)/F2-1Amp GQB(Glass)
Maximum power consumption	160W
Max CH flow temperature	85°C 185°F
Integral expansion vessel capacity	7 ltr. capacity

### CONNECTION SIZES

Gas	Rc1/2
Central heating flow	22mm compression
Central heating return	22mm compression
Domestic water inlet	15mm compression
Domestic water outlet	15mm compression
Pressure relief valve outlet	15mm tail

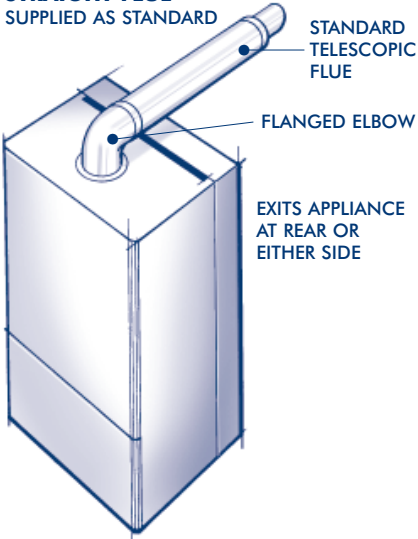
### 1 2.5 OVERALL DIMENSIONS AND MINIMUM CLEARANCES



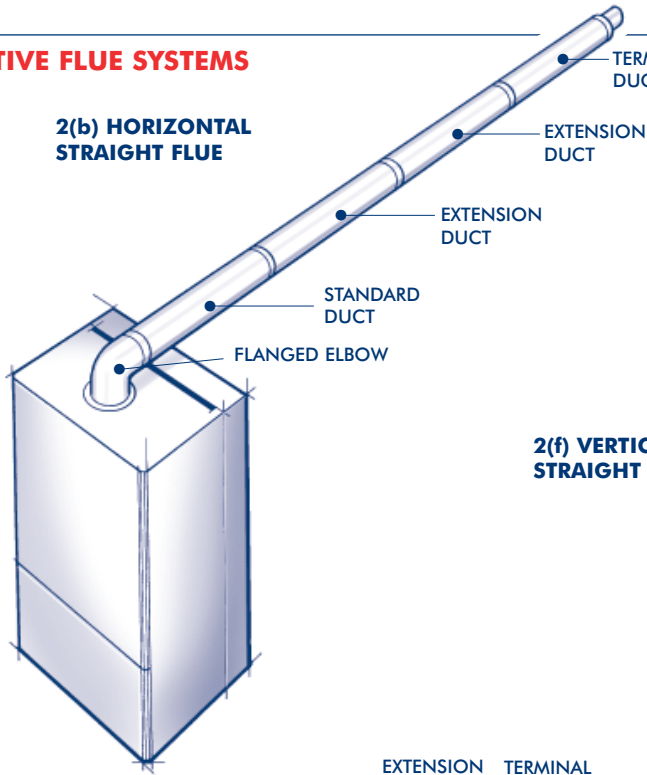
NOTE:  
10mm for normal operation  
450mm for installation and servicing

**EXAMPLES OF ALTERNATIVE FLUE SYSTEMS**

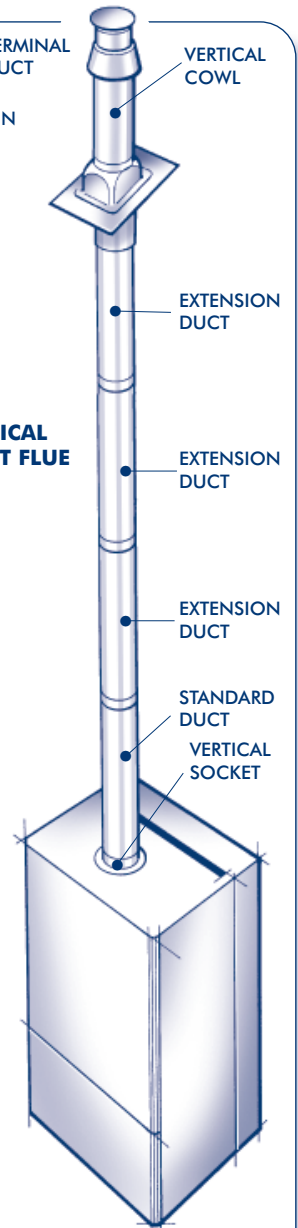
**2(a) HORIZONTAL STRAIGHT FLUE SUPPLIED AS STANDARD**



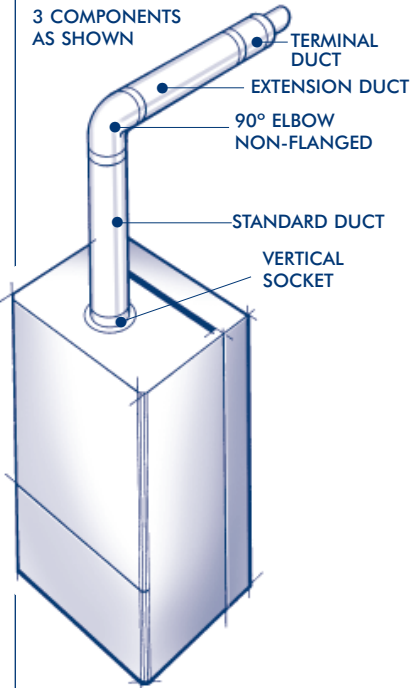
**2(b) HORIZONTAL STRAIGHT FLUE**



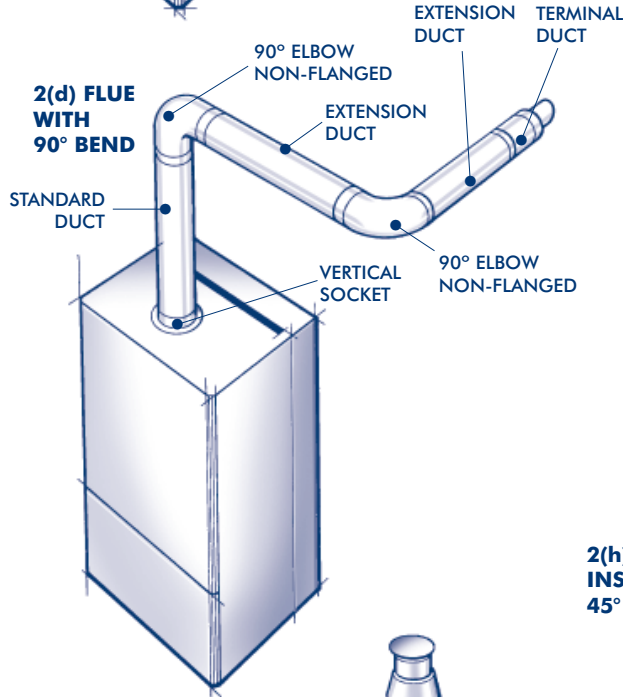
**2(f) VERTICAL STRAIGHT FLUE**



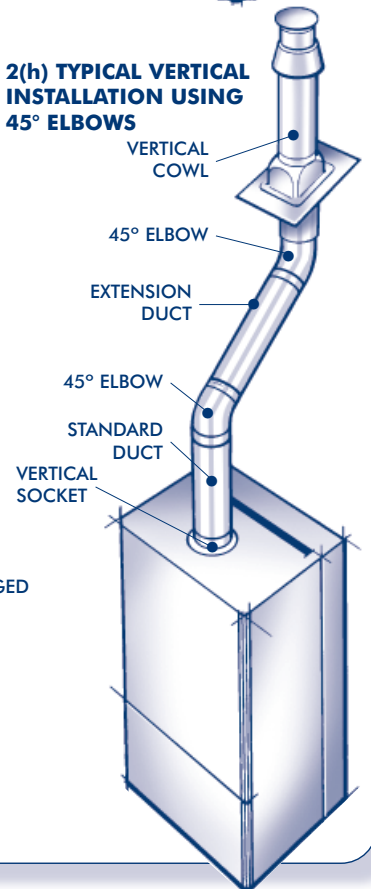
**2(c) ELEVATED STRAIGHT FLUE 3 COMPONENTS AS SHOWN**



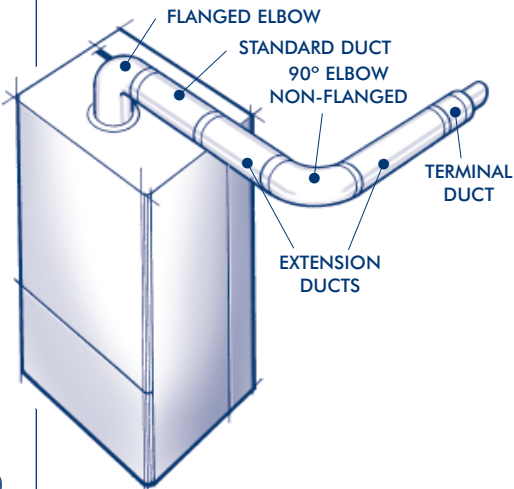
**2(d) FLUE WITH 90° BEND**



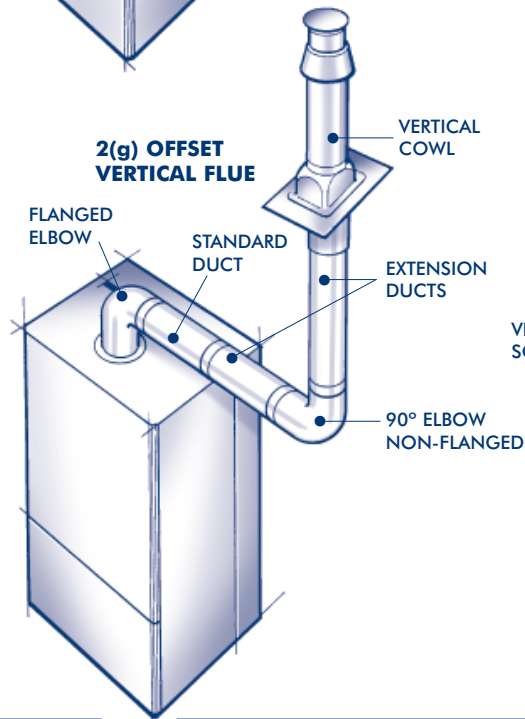
**2(h) TYPICAL VERTICAL INSTALLATION USING 45° ELBOWS**



**2(e) HORIZONTAL FLUE WITH 90° BEND**



**2(g) OFFSET VERTICAL FLUE**



The appliance is supplied complete with a standard telescopic flue kit. This comprises a standard duct and a terminal duct and can be used for flue lengths between 506mm and 820mm without cutting the ducts.

The following additional concentric kits are available as optional extras.

**Extension duct** (each extension extends the flue length by up to 767 mm)

**90° Elbow** (Allows an additional bend in the flue and has an 'equivalent length' of 767 mm.) This elbow is mechanically different from the flanged elbow supplied as standard with the appliance, but has the same equivalent length of 767mm.

**45° Elbow** (Allows an additional bend in the flue and has an 'equivalent length' of 384mm.) This elbow is mechanically different from the flanged elbow supplied as standard with the appliance, but has the same equivalent length of 384mm.

**Socket** (for use with elevated horizontal flues and vertical cowls)

**Vertical Cowl Kit.** (For use where an external wall is not available)

**Note:** That a flue restrictor ring is supplied with the boiler for use with the standard flue kit only (secured to the top of the boiler). This must not be fitted if any of the above optional kits are used.

These optional kits may be used with the standard flue kit to produce an extensive range of flue options. Examples are illustrated in Figure 2. Variations upon these illustrations may be used providing that the following rules are strictly obeyed.

- a) The flue restrictor ring must not be used when any additional flue components are used.
- b) The maximum permissible allowable length of the flue system is:

**Halstead Finest**-horizontal flue-maximum 4655mm (183in)

**Halstead Finest**-vertical flue-maximum 6152mm (242in)

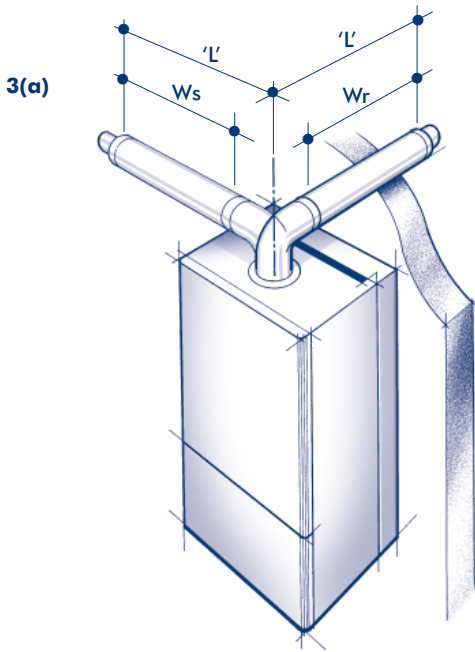
**Halstead Finest GOLD**-horizontal flue-maximum 2354mm(92in)

**Halstead Finest GOLD**-vertical flue-maximum 3851mm(151in)

**3**

**SPECIFICATION FOR STANDARD AND EXTENDED STRAIGHT FLUES**

(Refer to section 2.6(b) for maximum allowable lengths)



**Fig 3a - Standard flue assembly using either side or rear outlet.**

Flue length 'L' (measured from the boiler outlet centre line to the outside wall face) = max 820

Maximum wall thickness  $W_r$  (Rear outlet) = 620 max

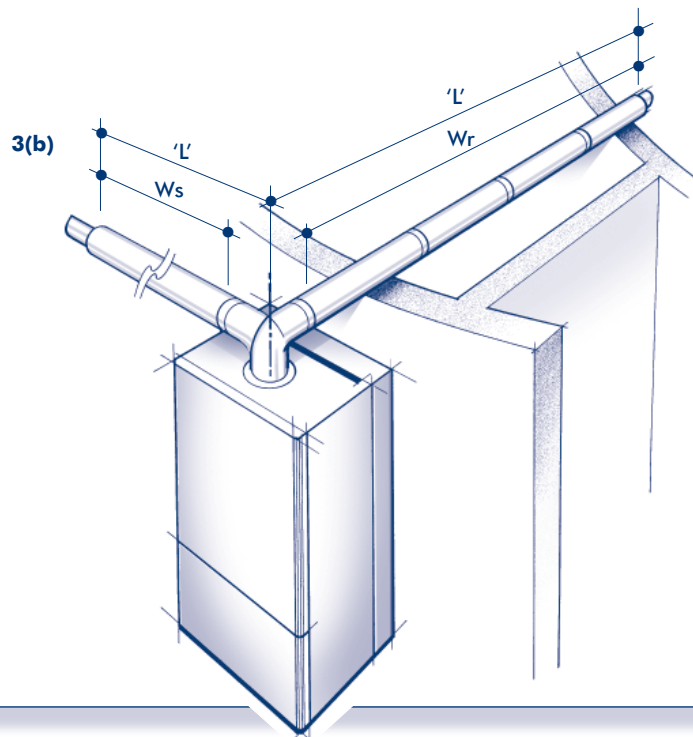
Maximum wall thickness  $W_s$  (either side outlet) = 590 max.

(Allowing for minimum clearance of 5mm)

**Fig 3b - Standard flue assembly with optional straight extensions using either side or rear outlet**

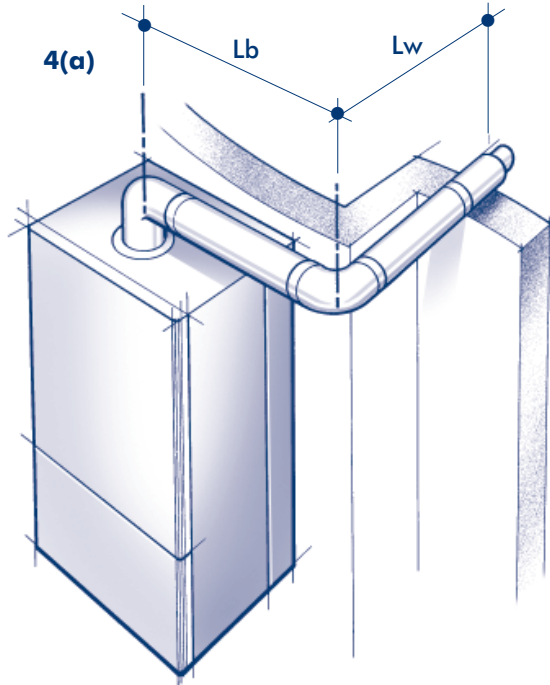
Refer to the following table:  
(Definitions of lengths 'L',  $W_r$  and  $W_s$  are as given in the table below

NUMBER OF EXTENSION KITS	LENGTH 'L'	$W_r$ (REAR)	$W_s$ (SIDE)
ONE	1587	1387	1357
TWO	2354	2154	2124
THREE	3121	2921	2891
FOUR	3888	3688	3658
FIVE	4655	4455	4425

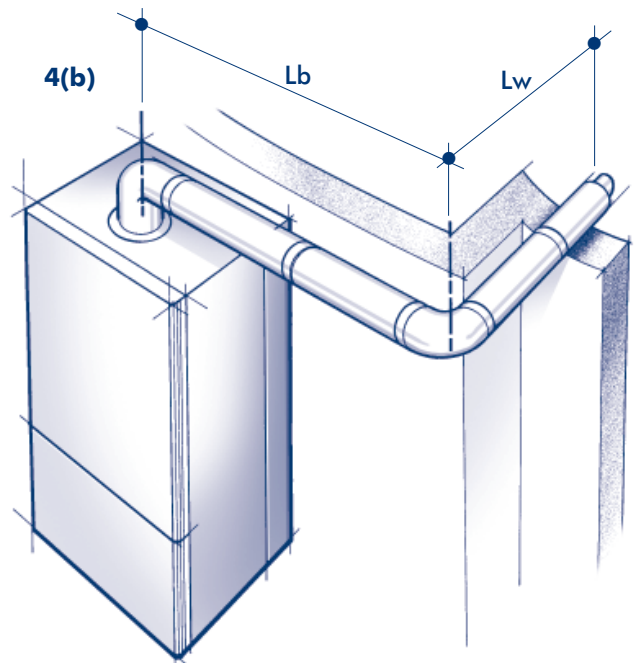


**SPECIFICATION FOR FLUE SYSTEMS WITH AN EXTRA 90° ELBOW**

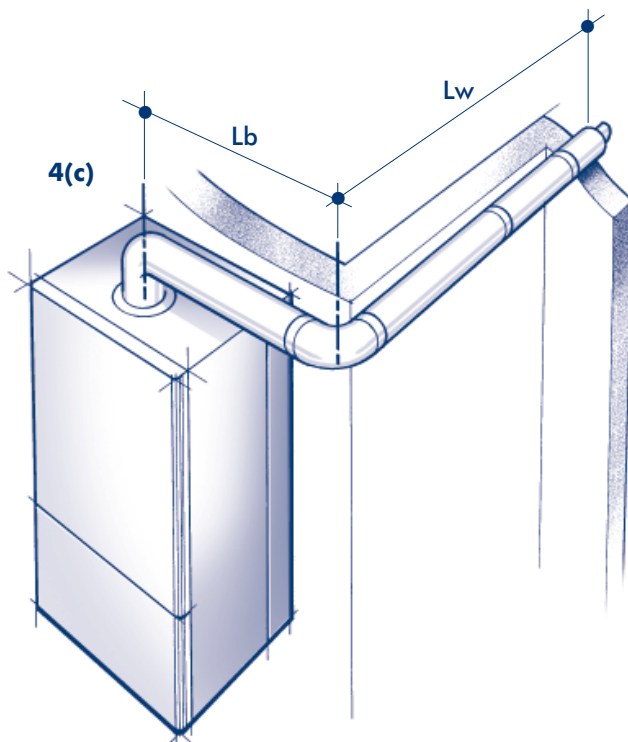
(Refer to section 2.6(b) for maximum allowable lengths)

**Fig 4a - Use of the flanged elbow, one extension kit, 90° elbow, and standard flue assembly.****Equivalent length Shown is 3045mm Where 'Lb' is 919mm and 'Lw' is 820mm**

(Lw is measured to the outside wall face.)

**Fig 4b - As 4a but with one additional extension in length 'Lb' Equivalent length Shown is 3812mm Where 'Lb' is 1686mm and 'Lw' is 820mm**

(Lw is measured to the outside wall face.)

**Fig 4c - As 4a but with one additional extension in length 'Lw' Equivalent length Shown is 3812mm Where 'Lb' is 919mm and 'Lw' is 1587mm**

(Lw is measured to the outside wall face.)

- c) The standard terminal must always be fitted horizontally. The vertical terminal must always be used if a vertical outlet is required.
- d) The flue must only terminate in a horizontal or vertical position. However 90° flue elbows may be used to drop the height of the flue system by 500mm.
- e) The flue system must use either a flanged elbow or a flanged duct at the entry/exit to the appliance.
- f) All joints must be correctly made and secured in accordance with the installation instructions.

Refer to Figures 3 to 7 to determine which option kits are required before commencing the installation.

Installation instructions for installing the appliance with a standard flue and straight extension ducts (Fig. 3) are included in the main text of these instructions (section 4.7). Additional instructions for flue systems incorporating an additional elbow (Fig. 4), elevated flue (Fig. 5), an additional elbow and an elevated flue (Fig. 6) and vertical outlet (Fig. 7) are given in the supplements at the rear of this booklet.

**5 SPECIFICATION FOR FLUE SYSTEMS WITH AN ELEVATED FLUE SYSTEM**

(Refer to Section 2.6 (b) for maximum allowable lengths)

**Fig 5 - Use of the flanged socket, 90° elbow, standard flue assy, & 1 extension (Equivalent length shown is 2328mm)**

Where 'Lh' (measured from the top of the boiler casing to the centre line of the extra elbow) = 551mm and length 'Lw' (measured from the centre line of the extra elbow to the outside wall face) = 1162mm

NOTE: Further extension kits may be used in either length Lh or Lw. Provided that the maximum equivalent length is not exceeded.

**6 SPECIFICATION FOR FLUE SYSTEMS WITH AN ELEVATED FLUE SYSTEM INCORPORATING BENDS**

(Refer to Section 2.6 (b) for maximum allowable lengths)

**Fig 6 - (Equivalent length shown = 3862mm)**

Where length 'Lh' (measured from the top of the boiler casing to the centre line of the extra elbow) = 551mm and length 'Lb' (measured from the centre line of the extra elbow to the outside wall face) = 919mm and length 'Lw' (measured from the centre line of the extra elbow to the outside wall face) = 1162mm

**7 SPECIFICATION FOR VERTICAL FLUE SYSTEMS**

**7(a) - Offset vertical flue (Equivalent length shown = 3801mm)**

Maximum length 'Lb' (Measured from the boiler outlet centre line to the centre line of the extra elbow) = 1686mm (Lb shown = 919mm)

Length shown 'Lv' (measured from the centre line of the extra elbow to the underside of the air inlet cowl) = 1576mm

Lb + Lv must not exceed Lh.

**7(b) Vertical extensions only:** vertical socket, standard duct, and vertical cowl and adaptors with extension ducts as required.

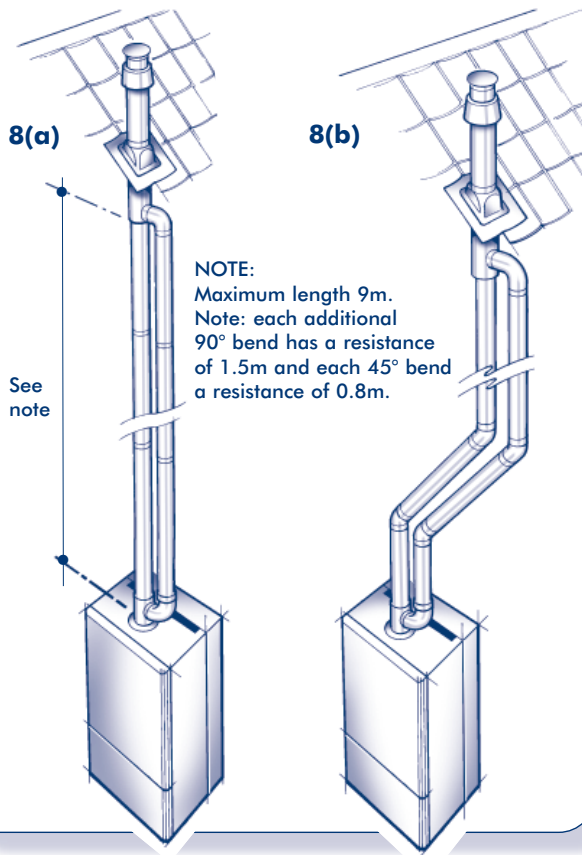
Dimensions as follows:

Maximum length 'Lh'  
Measured from the top of the appliance to the underside of the air inlet cowl.

NUMBER OF EXTENSION 'L' KITS	FLUE LENGTHS Lh
NONE	1550
ONE	2317
TWO	3084
THREE	3851
FOUR	4618
FIVE	5385
SIX	6152

8

## TYPICAL EXAMPLES OF TWIN FLUE SYSTEMS



**Important: This flue system is only available for use with the Finest. The flue system IS NOT suitable for the Finest Gold.**

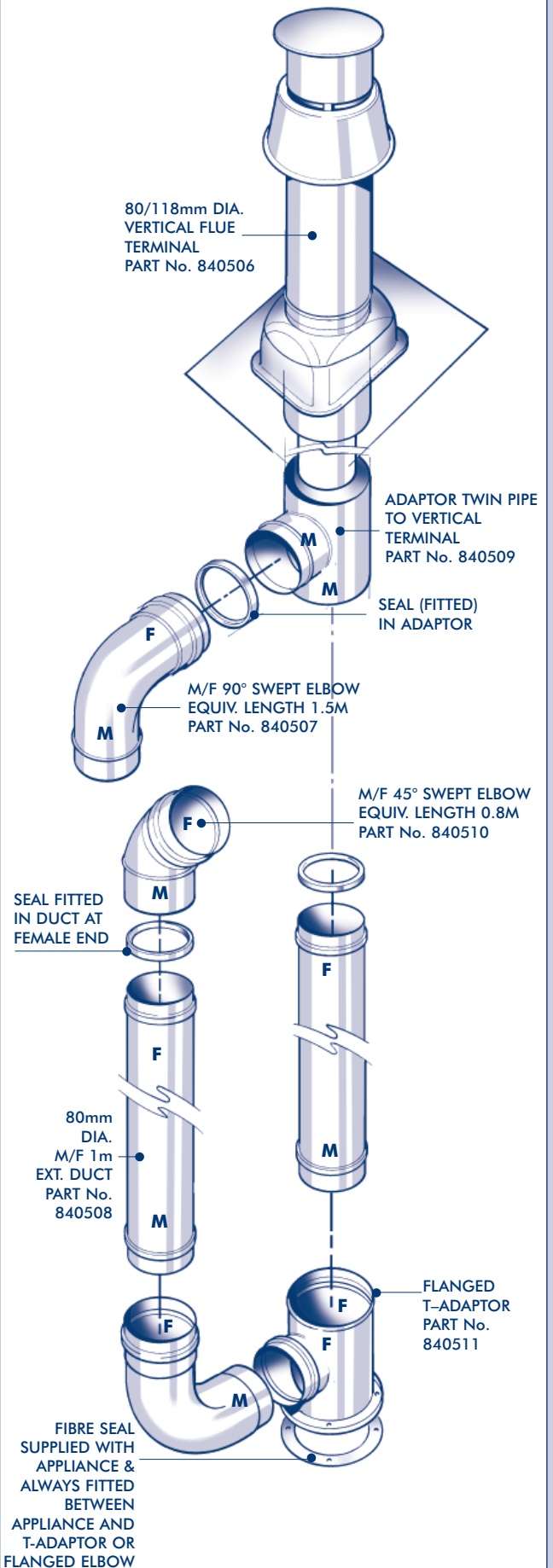
If an installation requires that the boiler is sited in an unusual or inconvenient position with respect to the limitations of the concentric flue kits, an alternative twin pipe system can be purchased to increase the flue lengths available.

Figure 8 shows typical applications, and Fig. 9 shows the components available, together with their equivalent lengths. The following rules must be adhered to when using this system:

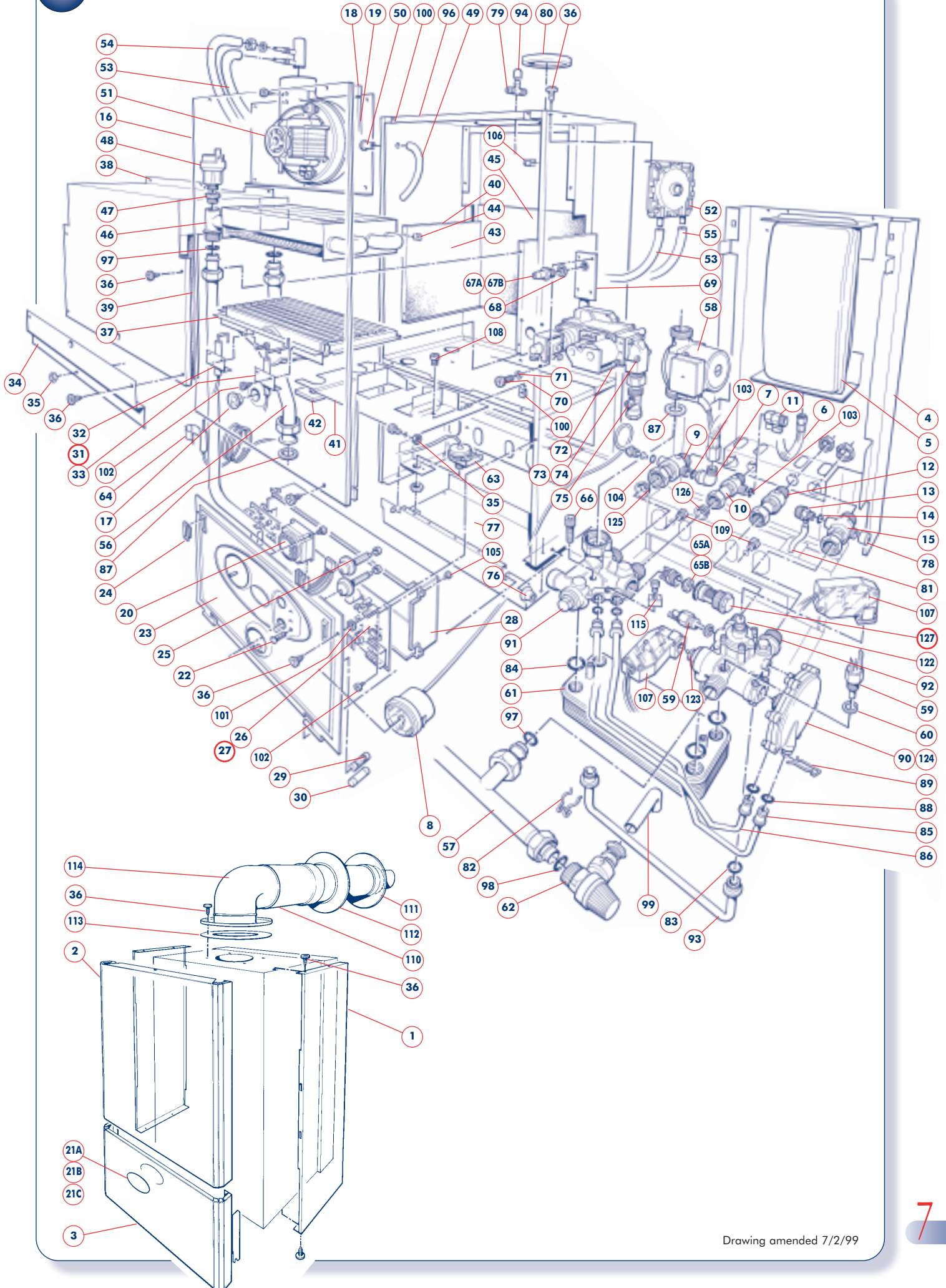
- The maximum permissible length of each duct must not exceed 9m. However if the length exceeds 7m the flue pipe must be insulated with suitable non-flammable material to prevent formation of condensates.
- The vertical flue terminal fitted must be the correct one for the appropriate termination as shown in the illustrations.
- There must not be any downward runs in the flue pipe. (The flow of the flue products may be horizontal or vertically upwards only.)
- The flue system must use the twin pipe header at the entry/exit to the appliance.
- All joints must be correctly made and secured in accordance with the installation instructions.

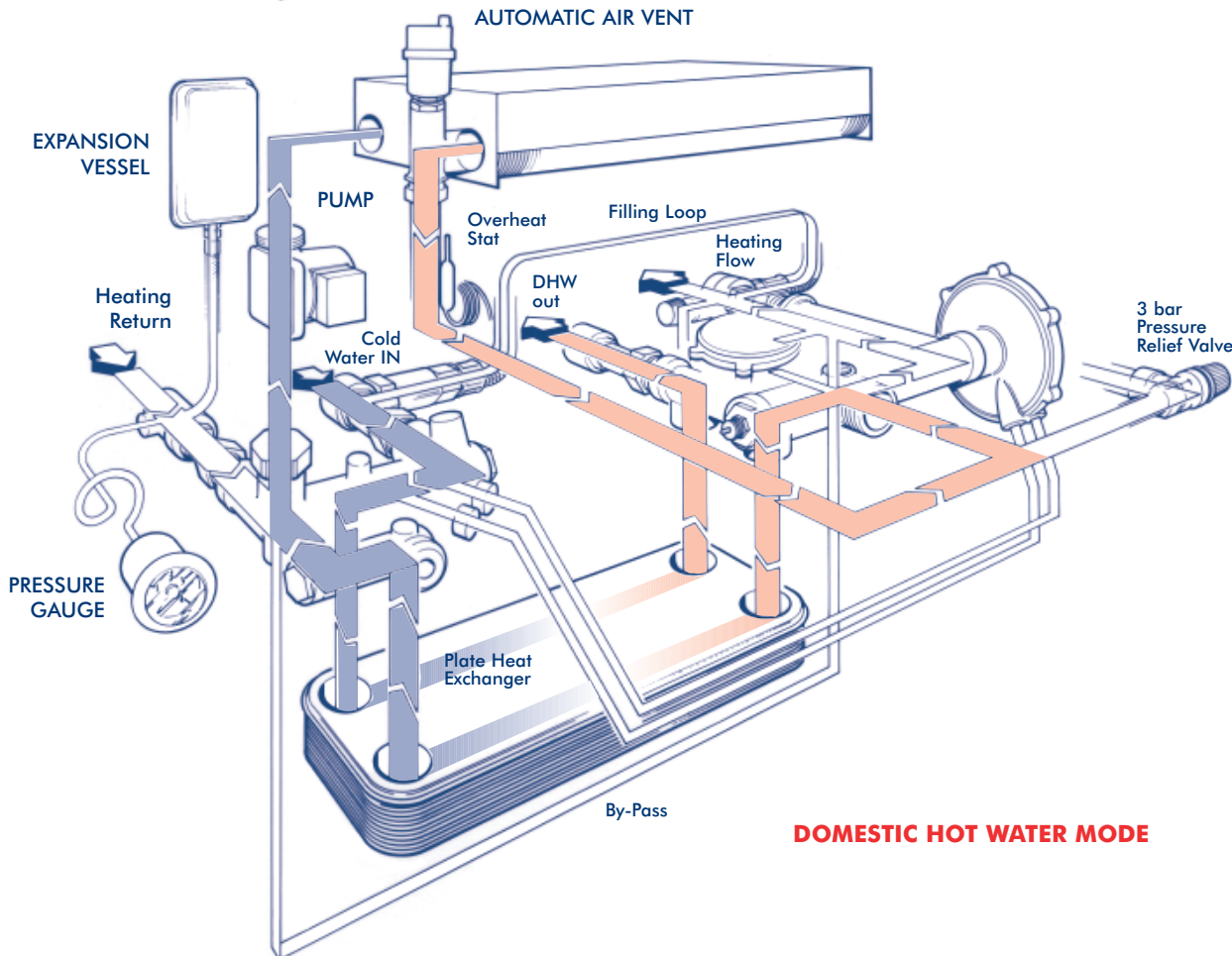
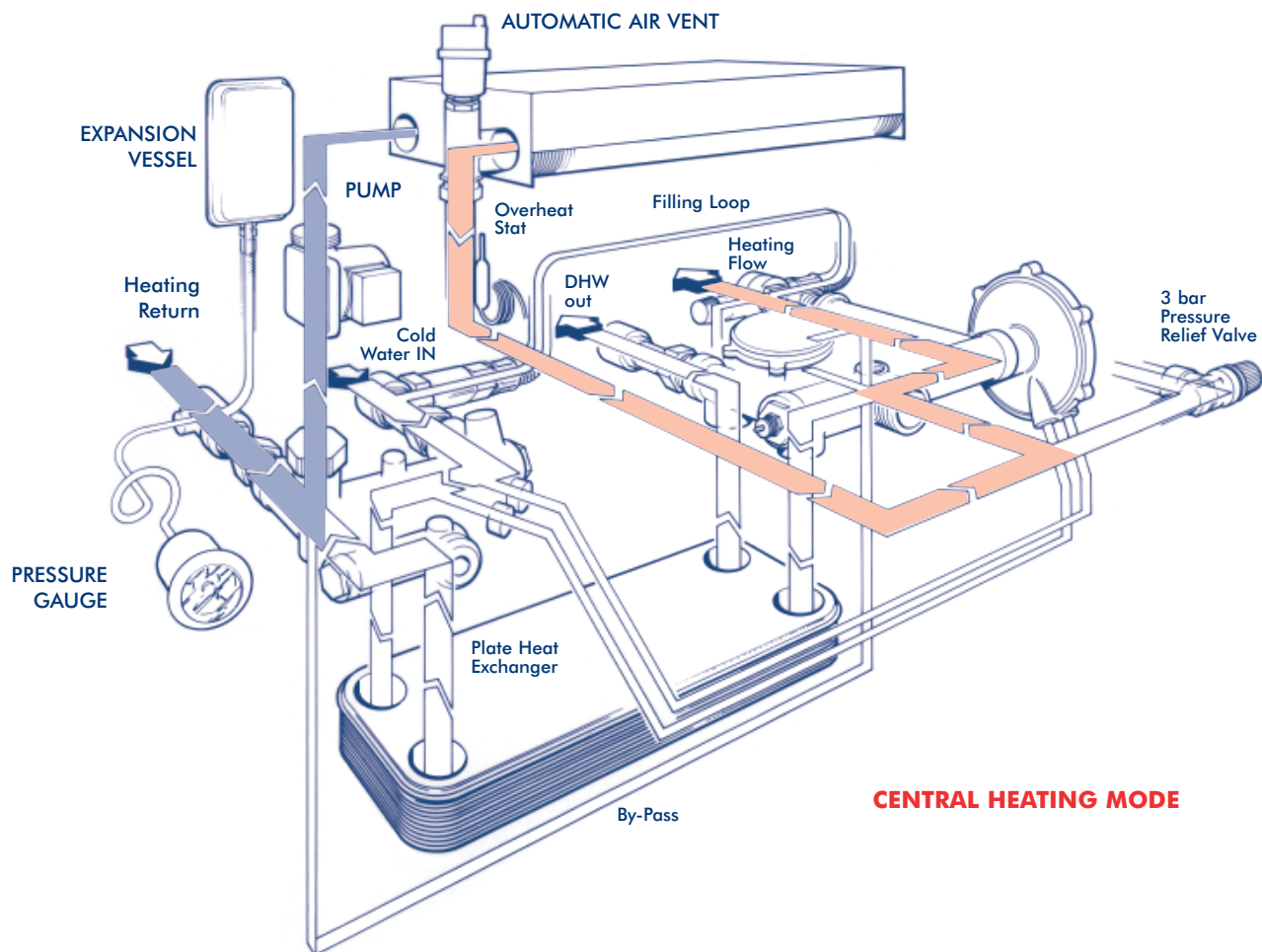
9

## TWIN PIPE COMPONENTS









# 3

## INSTALLATION REQUIREMENTS

### 3.1 STATUTORY REQUIREMENTS

#### GAS SAFETY (INSTALLATION AND USE) REGULATIONS 1996 (AS AMENDED)

It is the law that all gas appliances are installed by a registered person, in accordance with the rules in force. Failure to install appliances correctly could lead to prosecution. It is in your own interest, and that of safety, to ensure that the law is complied with.

In addition to the above regulations, this appliance must be installed in accordance with the current IEE Wiring Regulations for electrical installation, (BS 7671), local building regulations, the Building Standards (Scotland) (Consolidation) Regulations, bye laws of the local water undertaking and Health and Safety Document No. 635 'The Electricity at Work Regulations 1989'.

It should also be in accordance with the relevant recommendations in the current editions of the following British Standards and Codes of Practice: BS5449, BS5546, BS5440:1, BS5440:2, BS6798, BS6891, BG.DM2, BS7074 (Expansion vessels) and BS5482 for Propane installations.

**IMPORTANT NOTE:** Manufacturer's instructions must NOT be taken in any way as overriding statutory obligations.

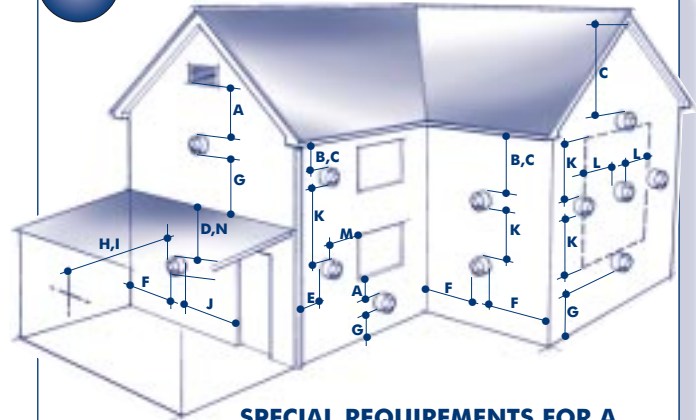
### 3.2 BOILER LOCATION

The following limitations MUST be observed when siting the boiler:

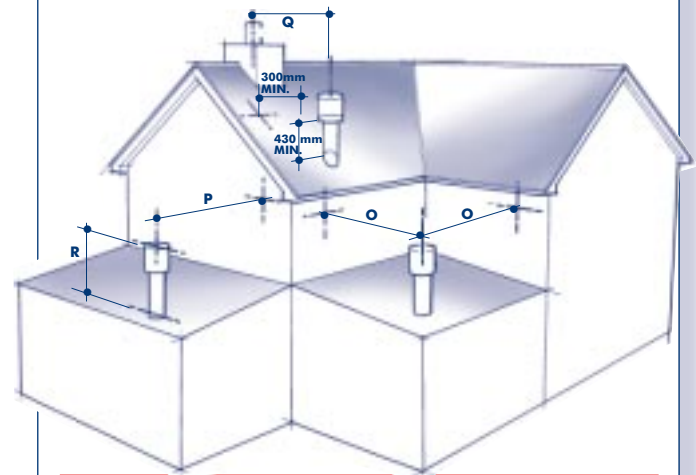
- The boiler is not suitable for external installation. The position selected for installation should be within the building, unless otherwise protected by a suitable enclosure, and MUST allow adequate space for installation, servicing, and operation of the appliance, and for air circulation around it. (Section 2.3 and 3.4)
- This position MUST allow for a suitable flue system and terminal position. (Section 2.6 and 3.3) The combination boiler must be installed on a flat vertical wall which is capable of supporting the weight of the appliance and any ancillary equipment.
- If the combination boiler is to be fitted in a timber framed building it should be fitted in accordance with the British Gas publication 'Guide for Gas Installations In Timber Frame Housing', Reference DM2. If in doubt, advice must be sought from the Local Gas Supplier.
- If the appliance is to be installed in a room containing a bath or a shower, any electrical switch or control utilising mains electricity must be so situated that it cannot be touched by a person using the bath or shower. Attention is drawn to the requirements of the current I.E.E. Wiring Regulations, and in Scotland the electrical provisions of the Building Regulations applicable in Scotland.
- A compartment used to enclose the appliance MUST be designed and constructed specifically for this purpose. An existing cupboard, or compartment, may be used provided it is modified accordingly. BS 6798 gives details of the essential features of cupboard / compartment design, including airing cupboards.
- Where installation will be in an unusual location, special procedures may be necessary. BS 6798 gives detailed guidance on this aspect.

### 12

### FLUE TERMINAL POSITION



#### SPECIAL REQUIREMENTS FOR A VERTICALLY BALANCED FLUE



Position	Minimum spacing
<b>A</b> Directly below an openable window, air vent, or any other ventilation opening	300mm 12in
<b>B</b> Below gutter, drain/soil pipe	75mm 3in
<b>C</b> Below eaves	200mm 8in
<b>D</b> Below a balcony	200mm 8in
<b>E</b> From vertical drain pipes and soil pipes	75mm 3in
<b>F</b> From internal or external corners	300mm 12in
<b>G</b> Above adjacent ground or balcony level	300mm 12in
<b>H</b> From a surface facing the terminal	600mm 24in
<b>I</b> Facing terminals	1200mm 48in
<b>J</b> From opening (door/window) in carport into dwelling	1200mm 48in
<b>K</b> Vertically from a terminal on the same wall	1500mm 60in
<b>L</b> Horizontally from a terminal on the same wall	300mm 12in
<b>M</b> Adjacent to opening	300mm 12in
<b>N</b> Below carport	600mm 24in
<b>O</b> From adjacent wall	300mm 12in
<b>P</b> From adjacent opening window	1000mm 40in
<b>Q</b> From another terminal	600mm 24in
<b>R</b> Minimum height	300mm 12in

### 3.3 FLUE TERMINAL POSITION

Detailed recommendations for flue installation are given in BS 5440:1. The following notes are for general guidance.

- The boiler **MUST** be installed so that the terminal is exposed to the external air.
- It is important that the position of the terminal allows free passage of air across it at all times.
- It is **ESSENTIAL TO ENSURE** that products of combustion discharging from the terminal cannot re-enter the building, or any other adjacent building, through ventilators, windows, doors, other sources of natural air infiltration, or forced ventilation / air conditioning.
- The minimum acceptable dimensions from the terminal to obstructions and ventilation openings are specified in Fig.12.
- If the terminal discharges into a pathway or passageway check that combustion products will not cause nuisance and that the terminal will not obstruct the passageway.
- Where the lowest part of the terminal is fitted less than 2m (78ins) above ground, above a balcony or above a flat roof to which people have access, the terminal **MUST** be protected by a purpose designed guard. (Available as an optional extra)
- Where the terminal is fitted within 850mm (34in) of a plastic or painted gutter, or 450mm (18in) of painted eaves, an aluminium shield at least 750mm long must be fitted to the underside of the painted surface.
- The air inlet / flue outlet duct **MUST NOT** be closer than 25mm (1in) to combustible material.
- In certain weather conditions the terminal may emit a plume of steam. This is normal but positions where this would cause a nuisance should be avoided.

### 3.4 VENTILATION REQUIREMENTS

Detailed recommendations for air supply are given in BS 5440:2. The following notes are for general guidance.

- It is not necessary to have a purpose provided air vent in the room or internal space in which the appliance is installed.
- If the boiler is to be installed in a wall cupboard permanent air vents are required for cooling purposes in the cupboard at both high and low levels. Both air vents must communicate with either the same internal room / space or be on the same wall to external air. Each air vent communicating with another room or internal space must have a minimum effective area of:

Finest - 298cm<sup>2</sup> (46in<sup>2</sup>)  
 Finest Gold - 337cm<sup>2</sup> (52in<sup>2</sup>)

If the ventilation is direct to air from outside the building, the necessary areas quoted above may be halved.

**If the cupboard or compartment is full room height (2.3 m min.) then NO purpose made ventilation is required.**

### 3.5 GAS SUPPLY

- The Gas Supplier should be consulted at the installation planning stage in order to establish the availability of an adequate supply of gas.
- An existing service pipe **MUST NOT** be used without prior consultation with the Gas Supplier.
- A gas meter can only be connected by the Gas Supplier or by their contractor.

- An existing meter and/or pipework should be of sufficient size to carry the maximum boiler input plus the demand of any other installed appliance. (BS 6891: 1988). **A minimum of 22mm dia. pipework is required to within 1 metre of the appliance gas cock.**
- Natural gas appliances:** The governor at the meter must give a constant outlet pressure of 20mbar (8 in.wg) when all appliance's on the system are running.  
**Propane appliances:** The regulator must give a constant outlet pressure of 37 mbar (14.9 in.wg) when all appliance's on the system are running.
- The gas supply line should be purged. **WARNING:** Before purging open all doors and windows, also extinguish any cigarettes, pipes, and any other naked lights.
- The complete installation must be tested for gas soundness .

### 3.6 CENTRAL HEATING SYSTEMS

- This appliance is designed for connection to sealed central heating water systems. Refer to Fig. 15 for a typical system design.
- A sealed system must only be filled by a competent person. A filling loop is supplied as an integral part of the boiler, therefore no special connections are needed within the system. Instructions for filling the system using the integral filling loop are supplied in section 5.
- The available pump head is given in Fig. 13.
- A minimum heating flow rate corresponding to a heating differential of 15°C must be obtained at all times.
- An automatic heating bypass is fitted within the appliance. However if thermostatic radiator valves are fitted, a radiator must be fitted with two lockshield valves.
- The following paragraphs outline the specifications of the items fitted to the boiler.

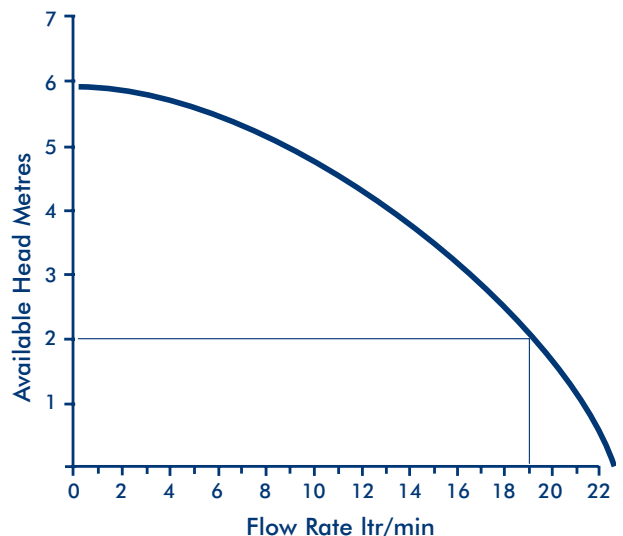
#### PUMP

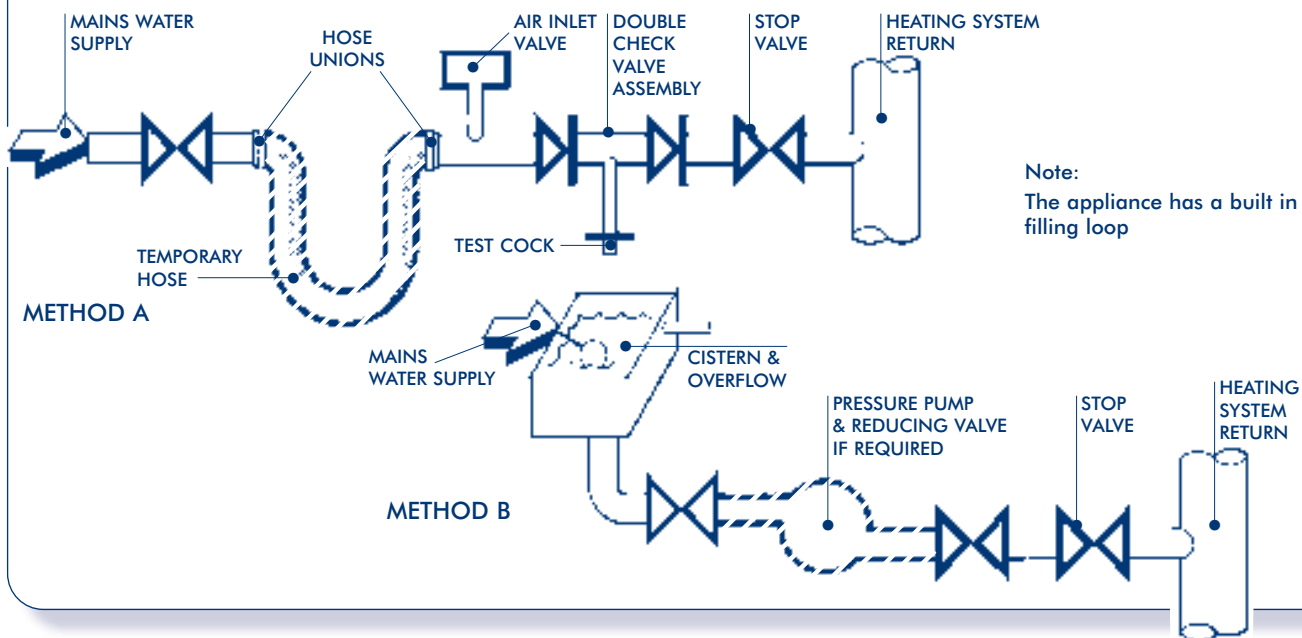
The available head shown in Fig. 13 is that in excess of the appliance hydraulic resistance, i.e. that available for the system.

13

#### AVAILABLE PUMP HEAD

Bth/hr.	Kw	2m HEAD	
		Flow rate	Δt°C
80,000	23.45	19l/m	17.7
70,000	20.52	19l/m	15.5
60,000	17.58	19l/m	13.3
50,000	11.72	19l/m	8.8





### EXPANSION VESSEL

The table below shows the maximum system volume that the integral expansion vessel can sustain under different charge pressure conditions. If the system volume exceeds that shown, an additional expansion vessel must be fitted and connected to the heating system primary return pipe as close as possible to the appliance. If an extra vessel is required, ensure that the total capacity of both vessels is adequate. Further details are available in the current issues of BS5449 and BS6798.

**NOTE:** If the pressure gauge indicates 2.65 bar or greater when the appliance is at maximum temperature with all radiators in circulation an extra expansion vessel is required.

**PRESSURE GAUGE** A pressure gauge is situated on the appliance control panel. This can be viewed by lowering the bottom front panel.

**PRESSURE RELIEF VALVE** A pressure relief valve set at 3 bar (43.5 psi) is supplied with the appliance.

EXPANSION VESSEL REQUIREMENTS				
Vessel charge and initial system pressure	bar	0.5	1.0	1.5
	psi	7.3	14.5	21.8
Total water content of system using 7ltr. (1.54gal) capacity expansion vessel supplied with appliance	96ltr	73ltr	50ltr	
	21gal	16gal	11gal	
For systems having a larger capacity multiply the total system capacity in litres (gallons) by the factor to obtain the total minimum expansion vessel capacity required litres (gallons)	0.0833	0.109	0.156	

### 3.7 DOMESTIC HOT WATER SYSTEM

- Check that the mains water pressure is sufficient to produce the required DHW flow rate, but does not exceed the maximum DHW pressure (10 bar). If necessary, a pressure reducing valve must be fitted to the mains supply before the DHW inlet connection.
- The final 600mm (24in) of the mains supply pipe to the boiler must be copper.
- A domestic hot water regulator is fitted within the Finest group set to control the maximum water flow rate. This may be

removed to obtain higher flow rates. Higher flow rates will not damage the appliance but may reduce the water temperature below an acceptable level.

- If the appliance is installed in an area where the temporary hardness of the water supply is high, say over 150ppm, the fitting of an in-line scale inhibitor may be an advantage. Consult the Local Water Supplier if in doubt.
- For specific information relating to fittings (eg. Showers, Washing Machines etc) suitable for connection in the DHW circuit, consult the Local Water Supplier. However the following information is given for guidance:

**DOMESTIC HOT/COLD WATER SUPPLY TAPS AND MIXING TAPS.** All equipment designed for use at mains water pressure is suitable.

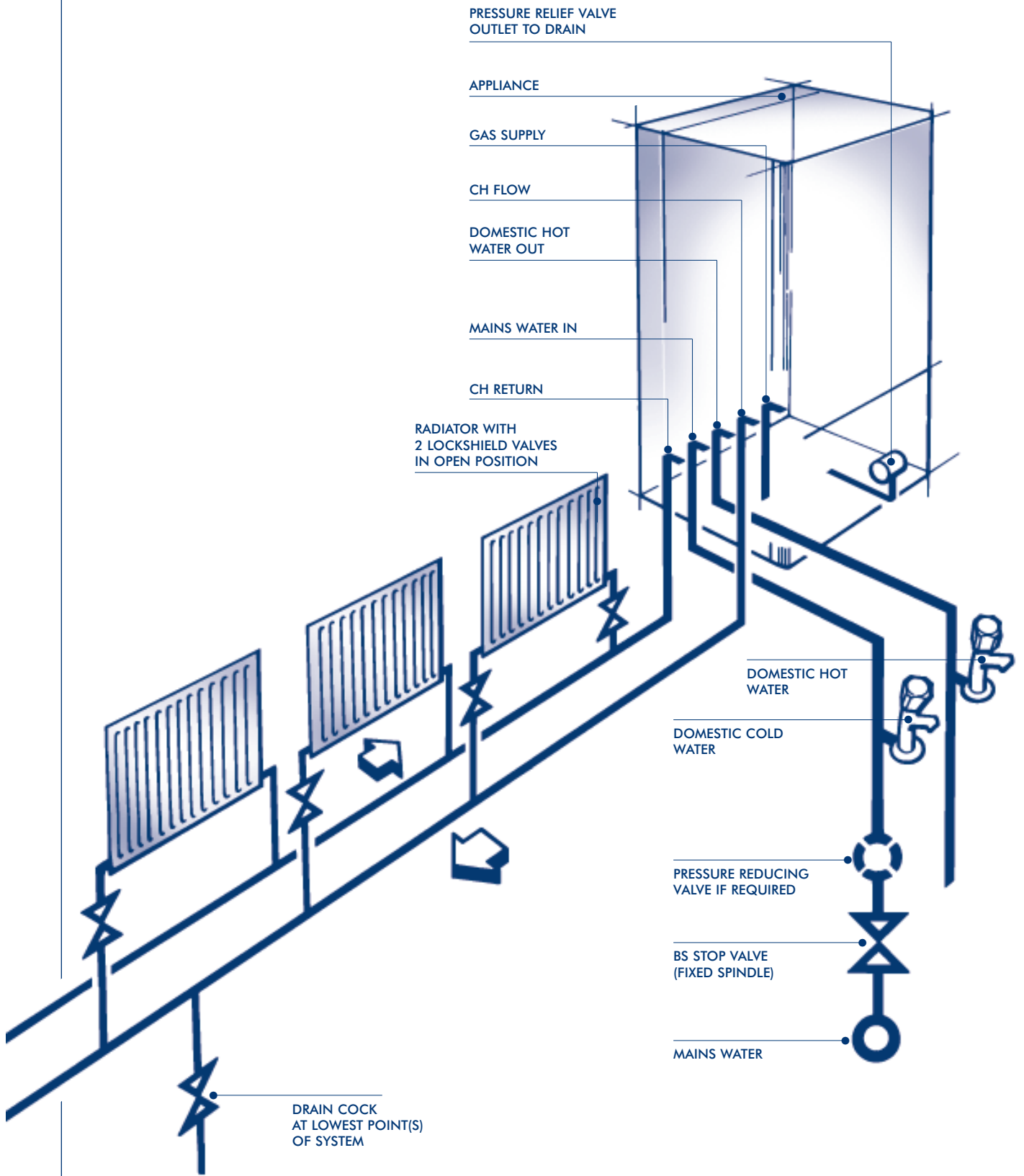
**SHOWERS & BIDETS.** Any mains pressure shower or bidet complying with the Local Water Undertaking bylaws is suitable.

### 3.8 ELECTRICITY SUPPLY

- Wiring external to the appliance must be in accordance with the current I.E.E. Wiring Regulations (BS 7671) for electrical installation and any local regulations which apply.
- The mains cable must be at least 0.75mm<sup>2</sup> (24/0.2mm) PVC Insulated to BS6500 table 16.
- THIS APPLIANCE MUST BE EARTHED.** (Failure to provide a satisfactory Earth connection will result in appliance malfunction)
- The method of connection to the mains supply must facilitate complete electrical isolation of the appliance. Either a 3A Fused three pin plug and unswitched shuttered socket outlet, both complying with BS1363, or a 3A fused double pole switch having a 3mm contact separation in both poles and serving only the boiler (and its external controls) may be used.

### 3.9 EXTERNAL CONTROLS

The appliance may be used with any Certificated mains voltage room thermostat as described in section 4.



**Note:** The boiler incorporates an automatic bypass, hence no other system bypass is necessary. **However at least one radiator (preferable in the bathroom) must be permanently open, ie. fitted with two lockshield valves.**

# 4 INSTALLING THE APPLIANCE

A special feature of the Finest and Finest Gold is the multi-functional boiler chassis (MBC) which serves as a wall mounting bracket to support the boiler, and provides all water service connections so that the system pipework can be completed and commissioned prior to fitting the boiler. This feature is especially important where site security cannot be guaranteed during initial installation.

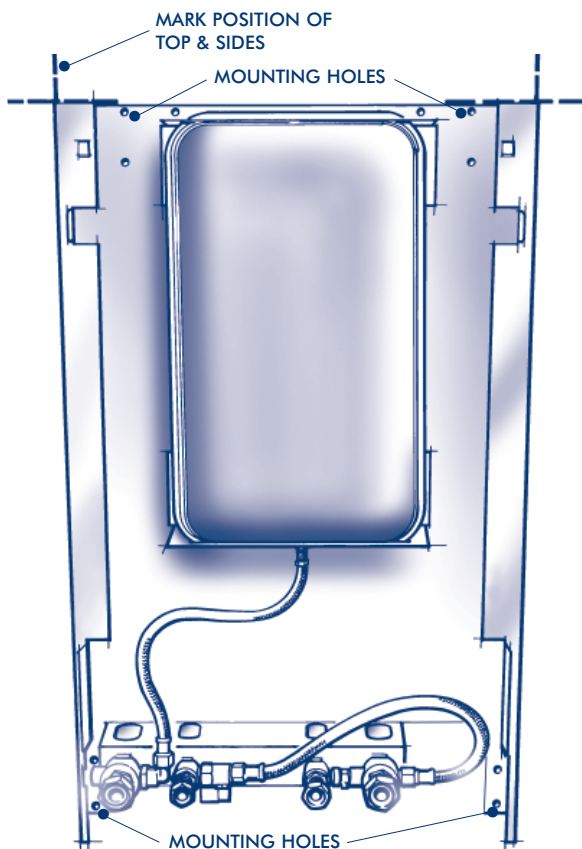
Before installing the appliance, check that the chosen location is suitable (section 3.2), and that the requirements for flue position (section 3.3), and minimum clearances (Fig. 1) are satisfied.

## 4.1 UNPACKING THE APPLIANCE

The appliance and standard flue kit are supplied in a single box. In addition, various optional flue kits are available as described in section 2.6 and 2.7. If the appliance is to be installed without access to an external wall, a wall liner kit is also required.

Carefully lift out and unpack the carton marked "Finest Plumbing Jig".

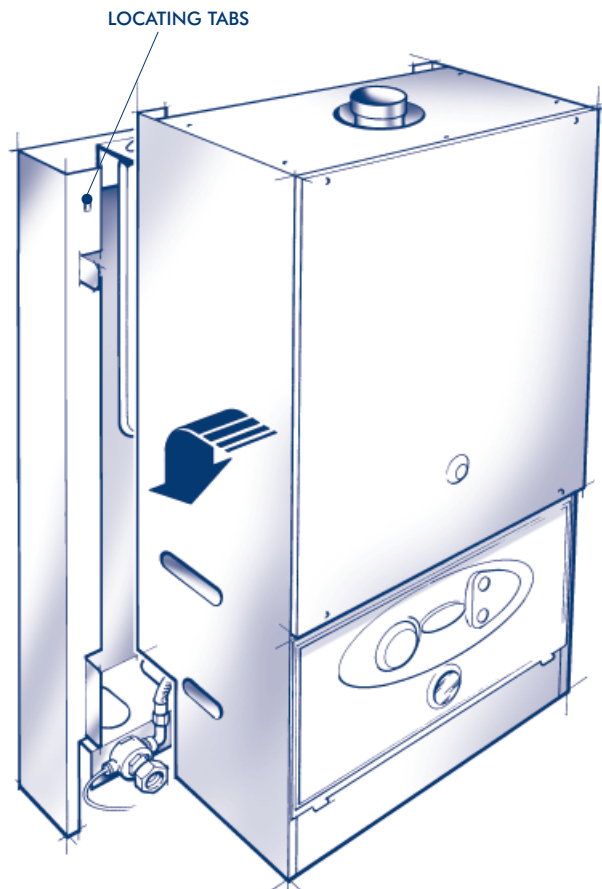
## 16 MULTIFUNCTIONAL BOILER CHASSIS



## 4.2 INSTALLING THE MULTIFUNCTIONAL BOILER CHASSIS

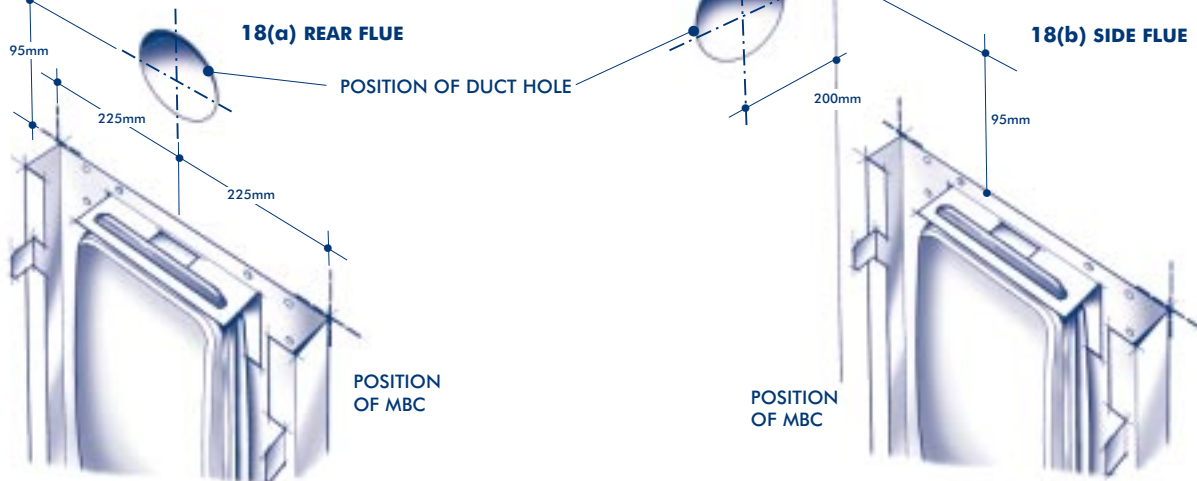
- Fix the paper template in the required position (ensuring that the necessary clearances are achieved) and mark the position of the fixing holes as shown in Fig. 16. Three holes are provided at each top corner and two at each bottom corner. Mark the position of the flue outlet using Fig. 18 mark the position of pressure relief outlet if required. Remove the paper template and proceed as follows.
- Cut the hole in the wall for the air/flue duct. The diameter must not be less than 100mm and the hole must be horizontal. If the hole is not accessible from outside, its minimum diameter must be sufficient to allow insertion of the wall liner (130mm, 5<sup>1</sup>/<sub>4</sub> in). The wall liner is available as an optional extra and must be sealed in position with mortar (or equivalent). It is recommended that the flue assembly falls slightly downwards away from the boiler.
- Drill four fixing holes (one in each corner) using a 8mm drill and insert the wall plugs provided in the hardware pack. If any of the holes fail to provide a secure fixing, use one of the adjacent holes instead.
- Lift the MBC into position and secure to the wall using the four screws provided.

## 17 MOUNTING THE BOILER



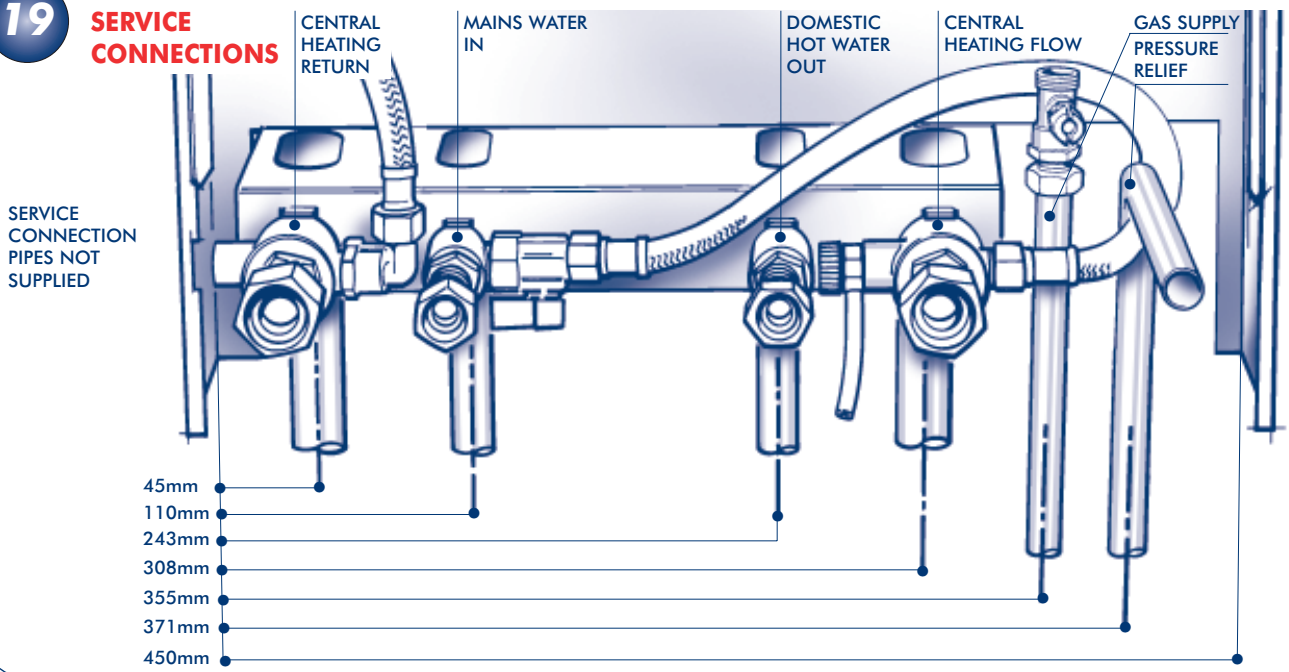
18

**DETERMINING THE POSITION OF THE AIR/FLUE DUCT HOLE**



19

**SERVICE CONNECTIONS**



**4.3 SERVICE CONNECTIONS**

- a) Connect the central heating system to the boiler flow and return using the connections shown in Fig. 19.
- b) Connect the mains water supply and outlet to the appropriate connections as shown in Fig. 19.
- c) Complete the domestic hot water and central heating system pipework so that the system can be commissioned before the boiler is fitted.
- d) Commission the central heating system as described in section 5.1, then proceed to section 4.4.

then carefully lower the boiler ensuring locating tabs are securely engaged (see Fig. 17).

- b) Locate and tighten the water connection unions. (Seals are pre-fitted).
- c) Pass the pressure gauge through from the MBC to the plastic boiler fascia and push into position (See Fig.33).

**4.5 GAS CONNECTION**

- a) Using a 1/2" x 15mm fitting connect the gas supply to the gas service cock using a suitable jointing compound.

**4.4 FITTING THE BOILER**

Remove and discard the protective plastic caps on the appliance rear connections-ensure the nylon seals on the service connections on the MBC are in place and undamaged.

- a) Lift the boiler into position. Position the top of the boiler approximately 10mm above the top of the MBC and use the tabs on the MBC to locate the boiler in a horizontal direction,

**4.6 PRESSURE RELIEF VALVE PIPE CONNECTION**

- a) Connect a suitable discharge pipe to the pressure relief valve tube. The pipe should be a minimum diameter of 15mm copper and should avoid any sharp corners or upward pipe runs where water may be retained. The discharge pipe must terminate in an area where any discharge will not cause a hazard but will be noticed.



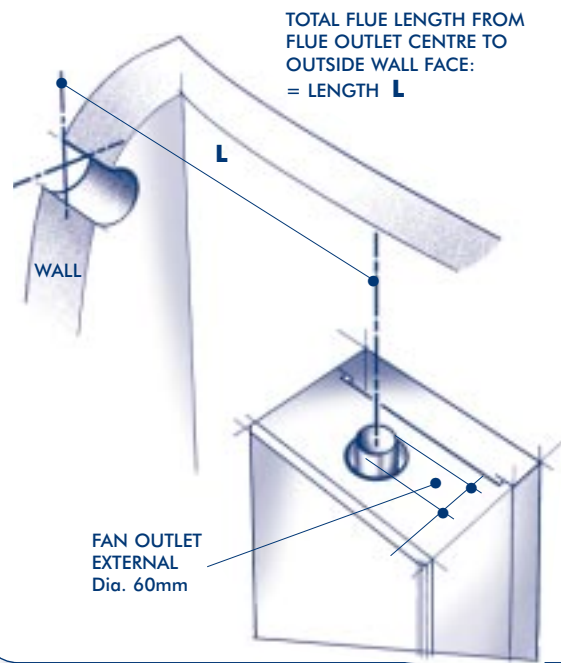
## 4.7 AIR FLUE DUCT INSTALLATION

If the wall thickness is less than 800mm (31 in) the air/flue duct may be fitted without access to the external wall providing that the optional wall liner is used. (This is necessary to seal any cavity and to allow the sealing ring to pass through from inside but still open and provide an adequate seal). The wall liner is a tube diameter 130mm with a wall thickness of 0.8mm.

### 4.7.1 PREPARING THE AIR/FLUE DUCTS

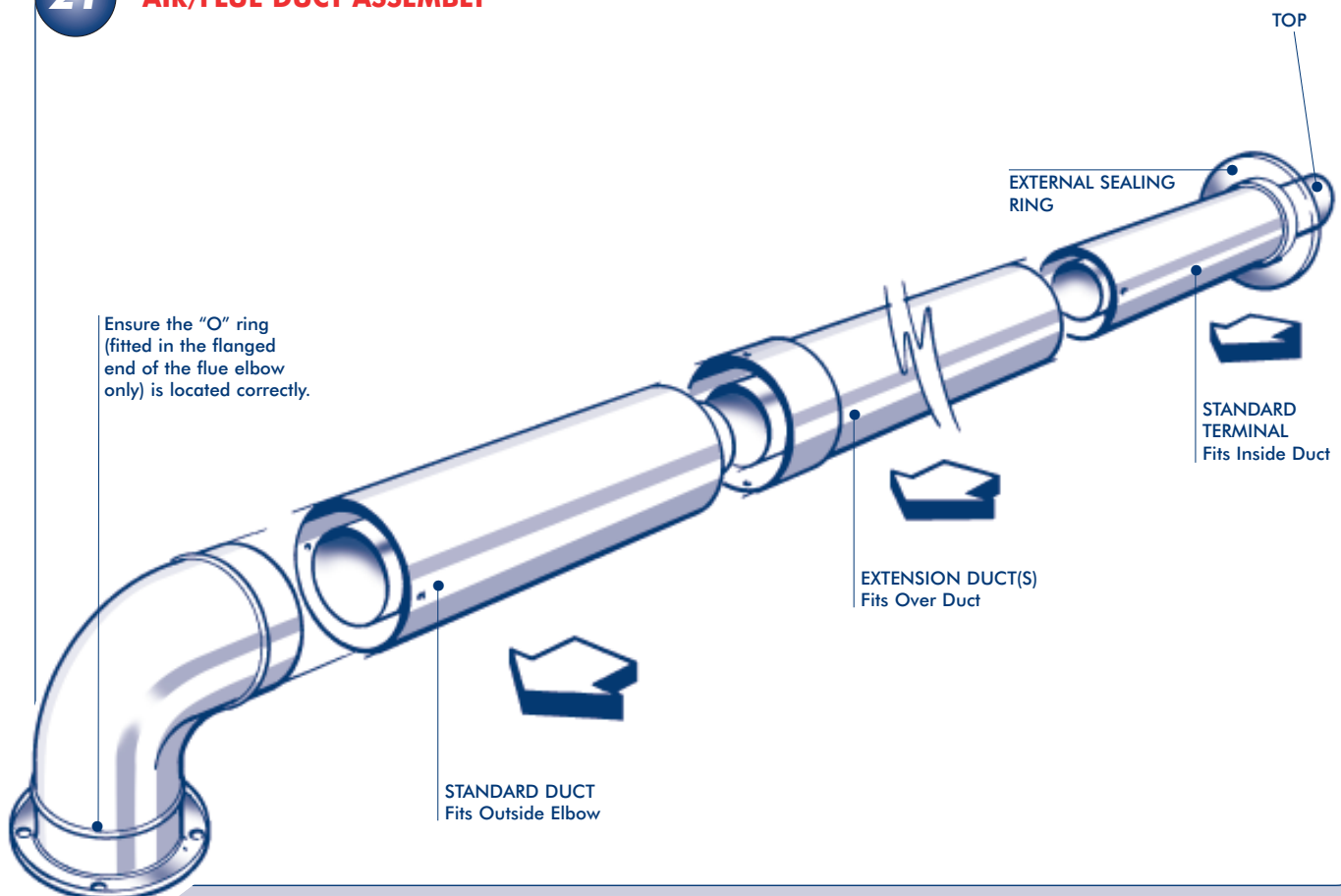
- Measure the required flue length as shown in Figure 20. Refer to section 2.5 to determine whether any extension kits are required. Installations using only the standard ducts or standard ducts with straight extensions are described in this section. Installation instructions for all other flue systems are described in the supplements at the rear of this booklet.
- Fit the external sealing ring to the terminal assembly and assemble the air/flue ducts as shown in Figure 21. The standard duct is always used at the entry / exit to the boiler, and the sliding (telescopic) terminal is always slid into the end of the standard or extension duct (where appropriate).
- Achieve the correct flue length using Figure 22 as a guide. Note that the flue length is measured to the inside of the external wall sealing ring. In most cases it will be possible to achieve the required flue length without cutting the ducts, however where necessary the plain ends of the extension ducts may be cut. **Never cut the swaged end**, and always ensure that the cut is square and free of burrs or debris. The minimum overlap of the telescopic section is 50mm (2 in).

## 20 MEASURING THE EXACT FLUE LENGTH



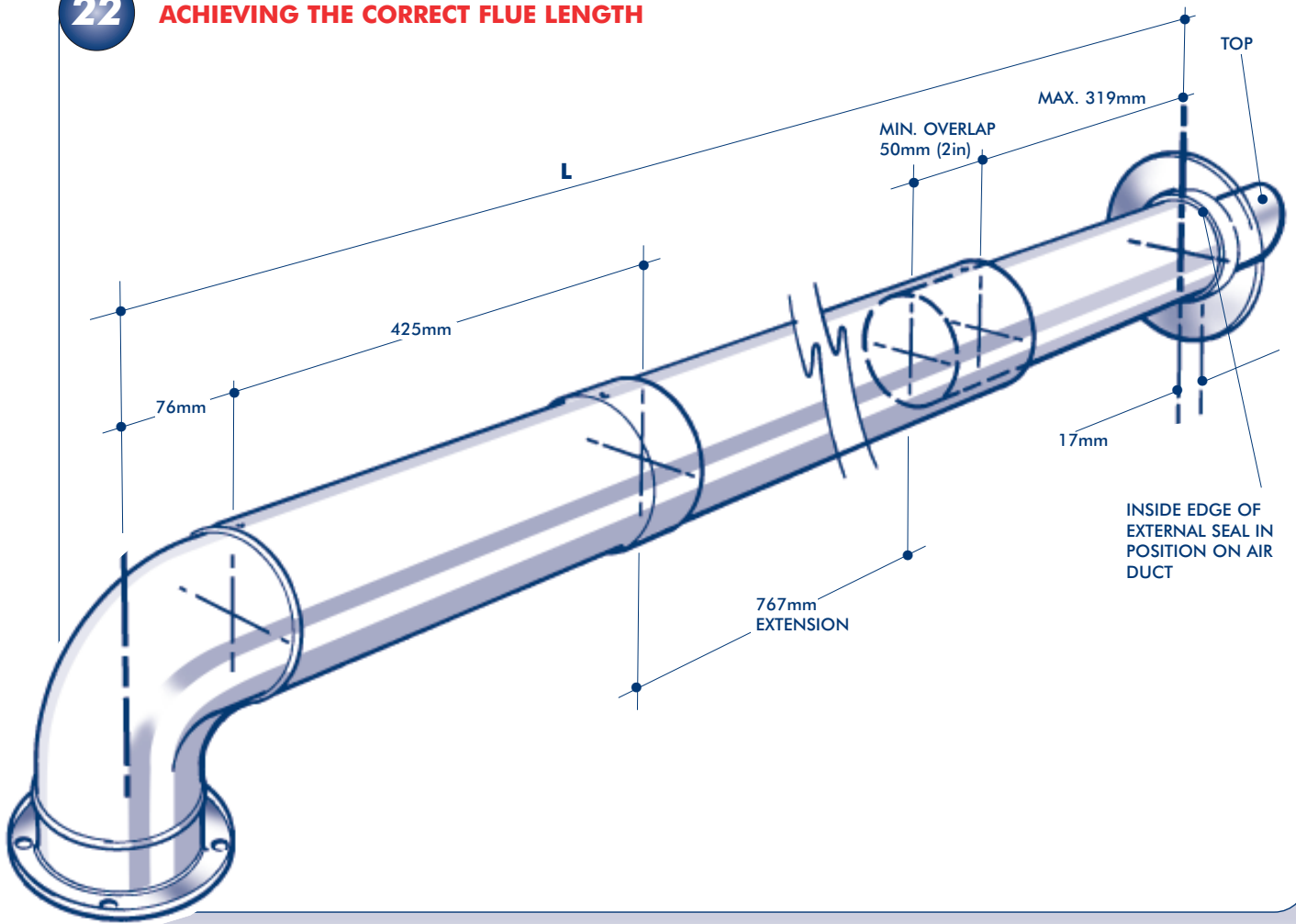
- Assemble the flue using Figure 23 as a guide. It is important that the steps are carried out in the order stated in Figure 23. When securing the ducts in position always drill two 3.3 mm diameter holes in each extension air duct joint and use the self tapping screws provided to secure each joint.  
NOTE IT IS ESSENTIAL THAT THE TERMINAL IS FITTED THE CORRECT WAY UP See Fig 21 (i.e. rainshield at the top).

## 21 AIR/FLUE DUCT ASSEMBLY



# 22

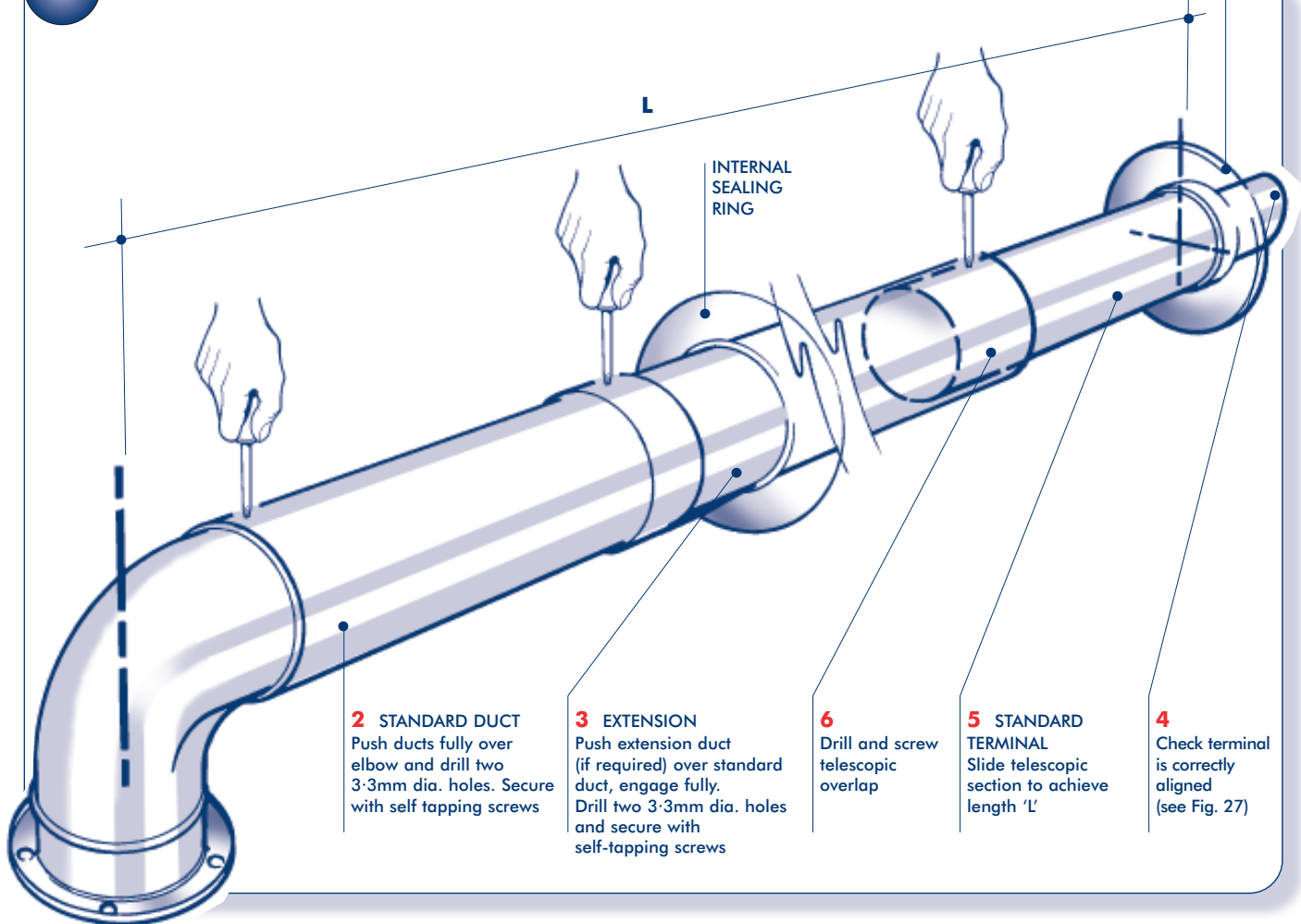
## ACHIEVING THE CORRECT FLUE LENGTH



# 23

## ASSEMBLING THE FLUE SYSTEM

### 1 SLIDE EXTERNAL SEALING RING UP TO FLUE TERMINAL



**2 STANDARD DUCT**  
Push ducts fully over elbow and drill two 3.3mm dia. holes. Secure with self tapping screws

**3 EXTENSION**  
Push extension duct (if required) over standard duct, engage fully. Drill two 3.3mm dia. holes and secure with self-tapping screws

**6**  
Drill and screw telescopic overlap

**5 STANDARD TERMINAL**  
Slide telescopic section to achieve length 'L'

**4**  
Check terminal is correctly aligned (see Fig. 27)

## 4.7.2 FLUE RESTRICTOR

**A flue restrictor is supplied with the appliance for use, only if no extensions or additional flue extension elbows are fitted.**

If any extension ducts or additional elbows etc are to be used, proceed to section 4.7.3.

If only the standard flue components (i.e. those packed in the same carton as the appliance) are to be used fit the restrictor as follows:

- Note the position of the flue restrictor ring. This is fitted on top of the appliance and is secured by the air pressure switch bracket screws (Fig. 24). Loosen the air pressure switch screw by 1/2 turn only, to release the ring, and tighten the two screws.
- Fit the restrictor ring inside the flue elbow bottom as shown in figure 25 ensuring that it is the correct way round.

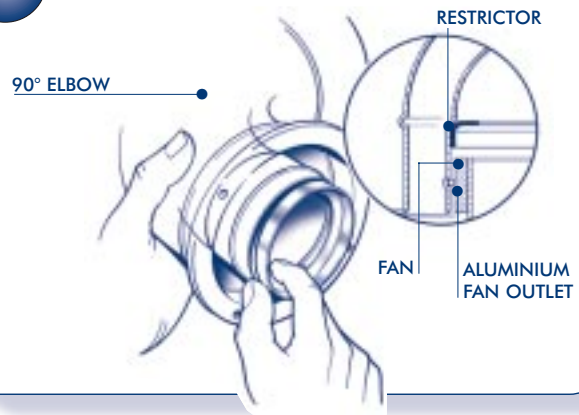
### NOTES

- Failing to fit the restrictor when installing the appliance with a standard flue system will not provide optimum appliance performance.
- Fitting the restrictor on a flue system incorporating extensions or additional bends will adversely affect performance and

may constitute a safety hazard.

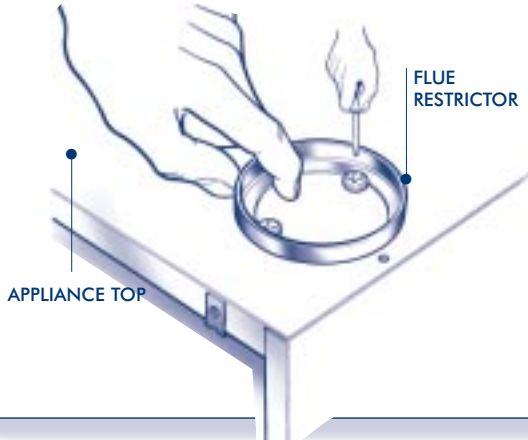
- Failing to comply with these instructions will invalidate the appliance Certification and therefore may contravene the appropriate EC legislation and local statutory requirements.

## 25 FITTING THE FLUE RESTRICTOR

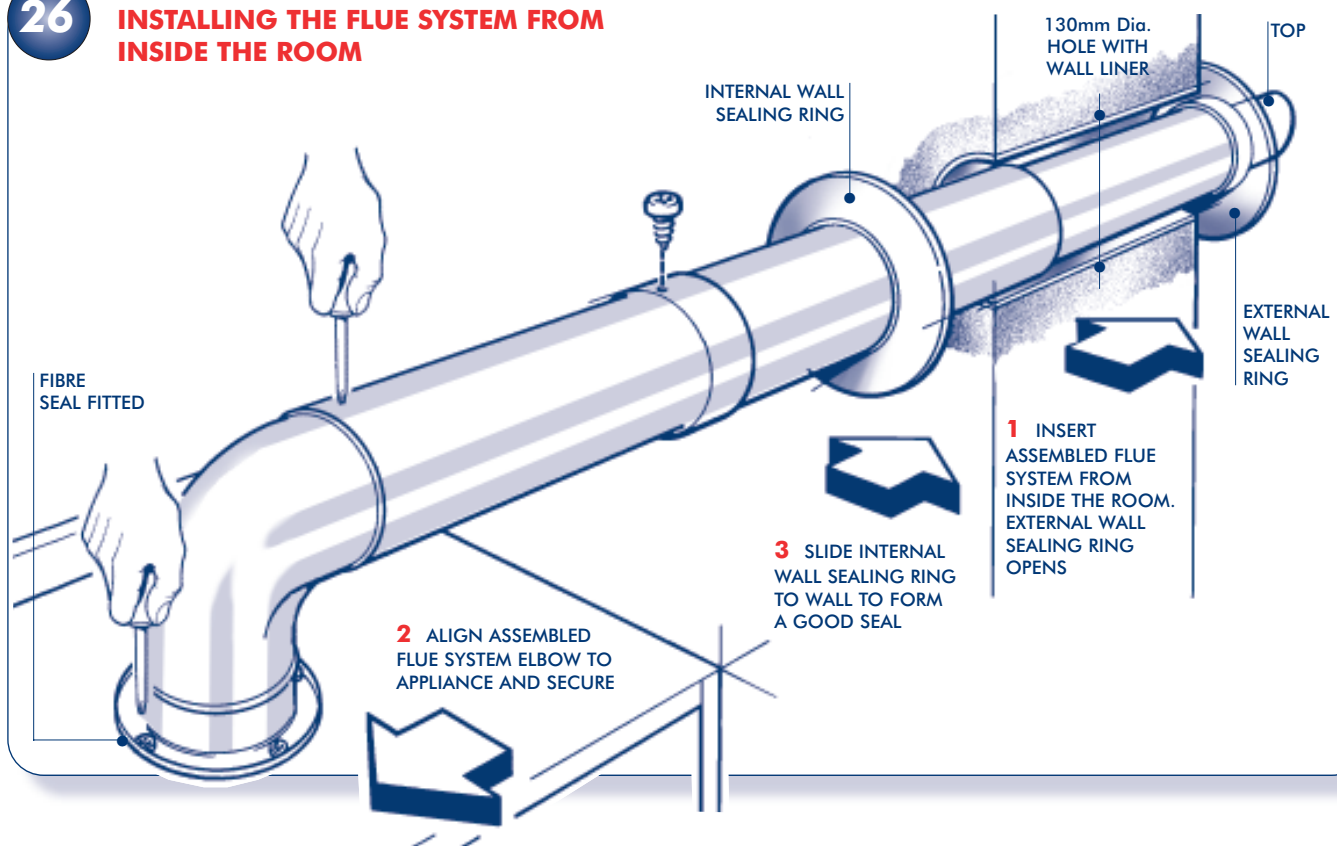


## 24 FLUE RESTRICTOR LOCATION

(Do not disturb if extension ducts are to be fitted)



## 26 INSTALLING THE FLUE SYSTEM FROM INSIDE THE ROOM



## 4.7.3 INSTALLING THE AIR/FLUE DUCT FROM INSIDE THE ROOM

Wall thickness up to 800 mm (31in) only.

- Push the terminal through the wall liner taking care to ensure that the terminal is the correct way round and the external wall sealing ring does not become dislodged.
- Pull the flue system towards the boiler to seat the external sealing ring against the outside wall and secure the elbow to the boiler using the two screws provided.
- Finally use the internal sealing ring to make good the internal hole, and check that the terminal is correctly located on the outside wall (Where possible this should be visually checked from outside the building.) Figure 26 shows a view of the flue system, correctly installed.
- Assemble as shown in Figure 26

## 4.7.4

### INSTALLING THE AIR/FLUE DUCT FROM OUTSIDE THE BUILDING

(Flue hole diameter 100mm - wall liner not necessary)

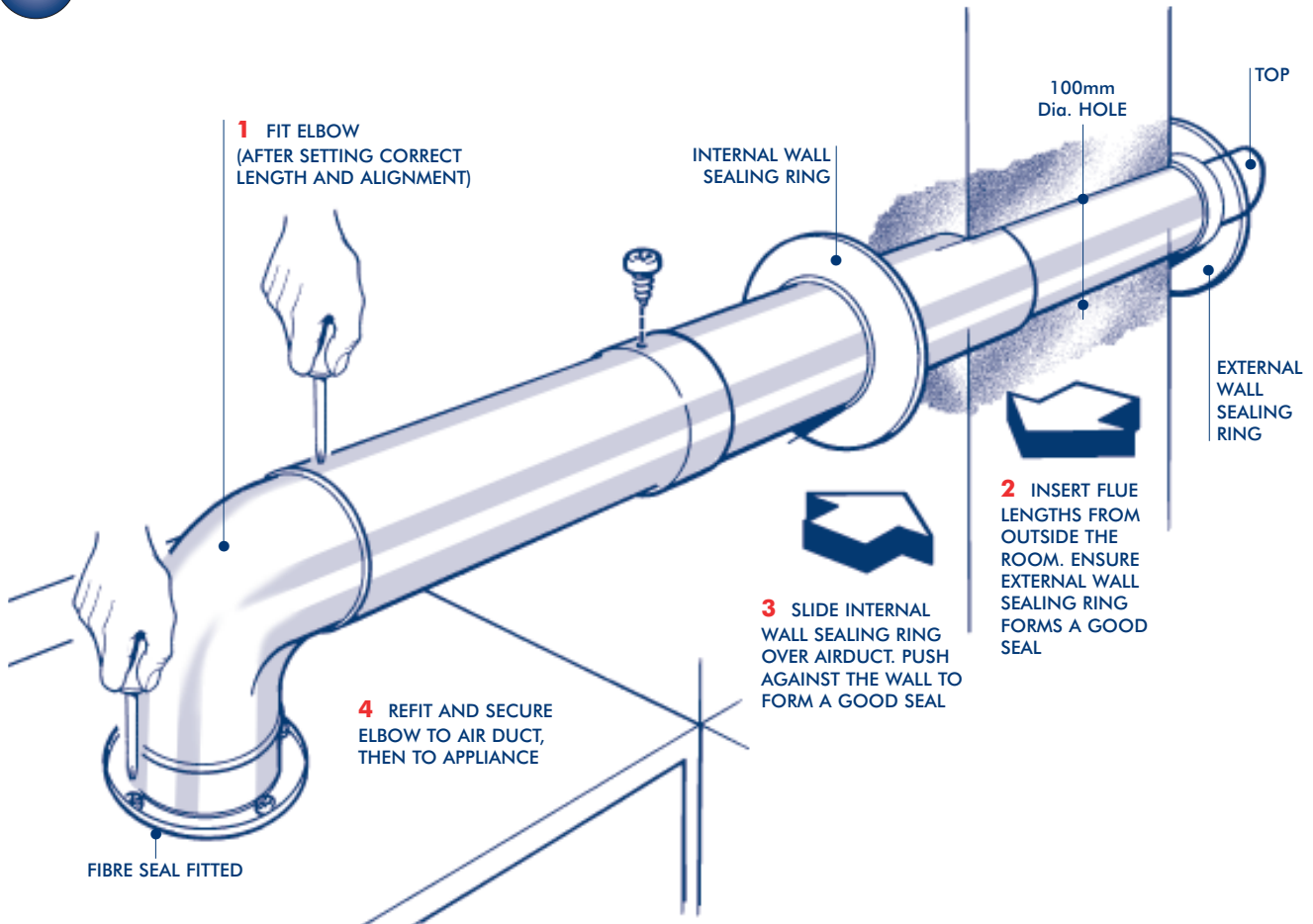
- Secure the flue elbow with seal to the appliance using 4 screws.
- Fit external wall sealing ring over flue and then from outside the building, push the flue system through the wall taking care to ensure that the terminal is the correct way around.
- Fit the internal wall sealing ring over the inside end of the flue,

then fit the air duct to the elbow, drill and secure with the two screws.

- Pull the flue system towards the boiler to seat the external sealing ring against the outside wall and secure the air duct to the elbow using the two screws provided.
- Finally use the internal sealing ring to make good the internal hole. Check that the external wall sealing ring is correctly located, on the outside wall from outside the building. Figure 27 shows a view of the flue system, correctly installed.

## 27

### INSTALLING THE FLUE SYSTEM FROM OUTSIDE THE BUILDING



## 4.8

### WIRING INSTRUCTIONS

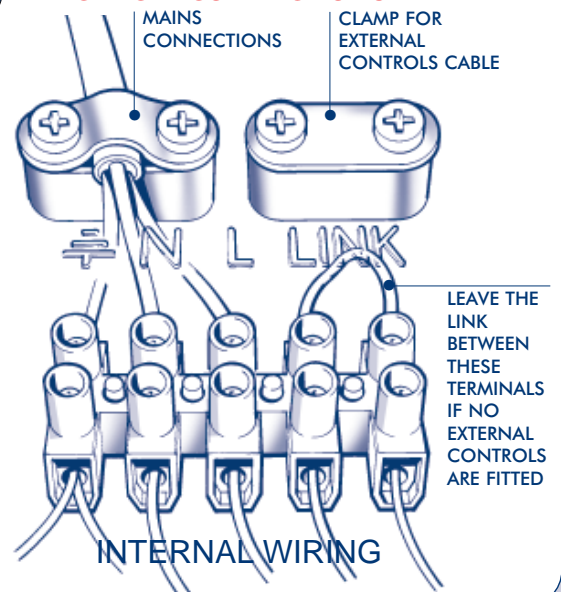
Connect the electricity supply and any external controls (using suitable mains cable) as described below:

- Unscrew the two screws securing the control panel in position and pivot the control box downwards.
- Wire the cable(s) into the appropriate connections in the terminal block (Fig. 28). For further details regarding the connection of external controls, consult the wiring diagrams in section 7. Any external controls fitted must be rated at 230V and have volt-free contacts.
- Route the cable(s) through the cable clamp, secure the clamp, and thread the cable through the MBC at the rear of the appliance.
- Rotate and secure the control panel in position.

**NOTE:** Assuming that the appliance is to be commissioned immediately after installation it is not necessary to fit the casing panels at this stage.

## 28

### ELECTRICAL CONNECTIONS



# 5 COMMISSIONING AND TESTING

Before commissioning the appliance, the whole gas installation including the meter **MUST** be purged and tested for gas soundness in accordance with BS 6891:1988.

**IMPORTANT:** Open all doors and windows, extinguish naked lights, and **DO NOT SMOKE** whilst purging the gas line.

Before commencing the commissioning procedure, ensure that the gas service cock is turned on, the electricity supply is isolated, and that the DHW and CH pipework is complete.

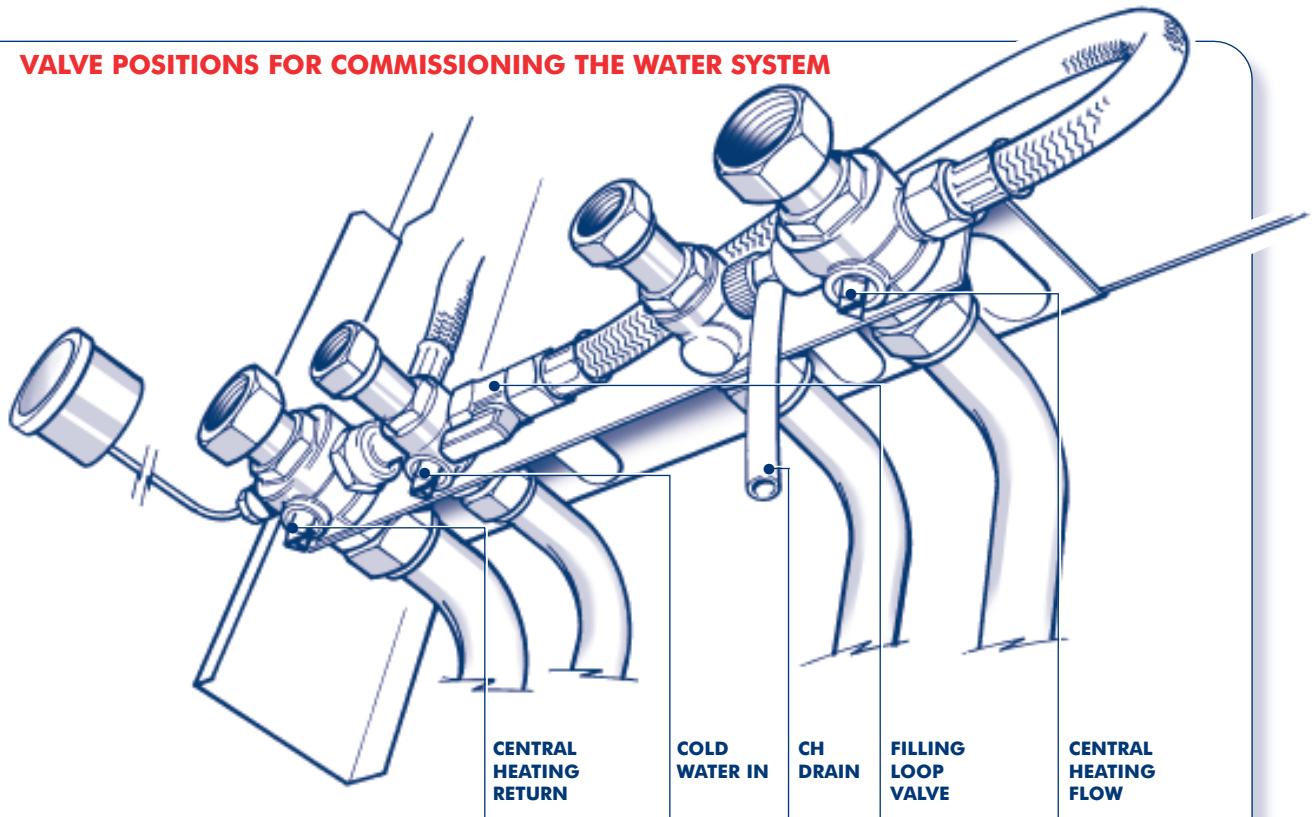
## 5.1 FILLING THE WATER SYSTEMS

A special feature of the Finest and Finest Gold is that the water systems can be completely filled prior to fitting the boiler. It is recommended that this procedure is followed even when the boiler is to be fitted immediately after filling the system.

Fill the water systems by following the procedure detailed below Fig 29, steps 1 to 5.

29

### VALVE POSITIONS FOR COMMISSIONING THE WATER SYSTEM



- 1 Check that all valves are in the closed position as shown. Turn on the mains water supply to the appliance.



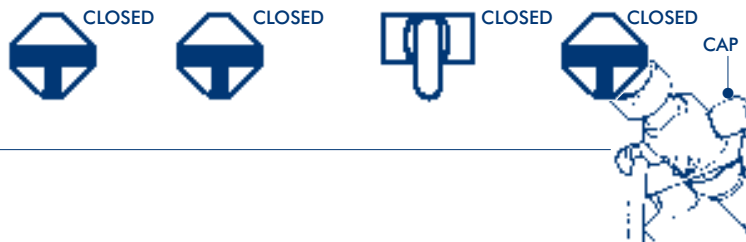
- 2 Open the filling loop valve. Check the system pressure on the gauge, and vent all radiators and air vents in the normal way. Vent the pipework using the drain point on the Central Heating flow valve as indicated. Close the filling loop valve before the system pressure reaches 2.5 bar.



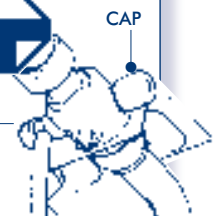
- 3 Check the system for soundness, then drain the entire system to flush out any debris, and refill to 0.2 bar above the system design pressure by repeating the above procedure



- 4 Disconnect the filling loop hose at both ends and fit the cap on the Central Heating flow valve as shown. The filling loop should be left with the appliance for future servicing.



- 5 Return to the installation instructions at section 4.4, fit the boiler, and complete the installation.



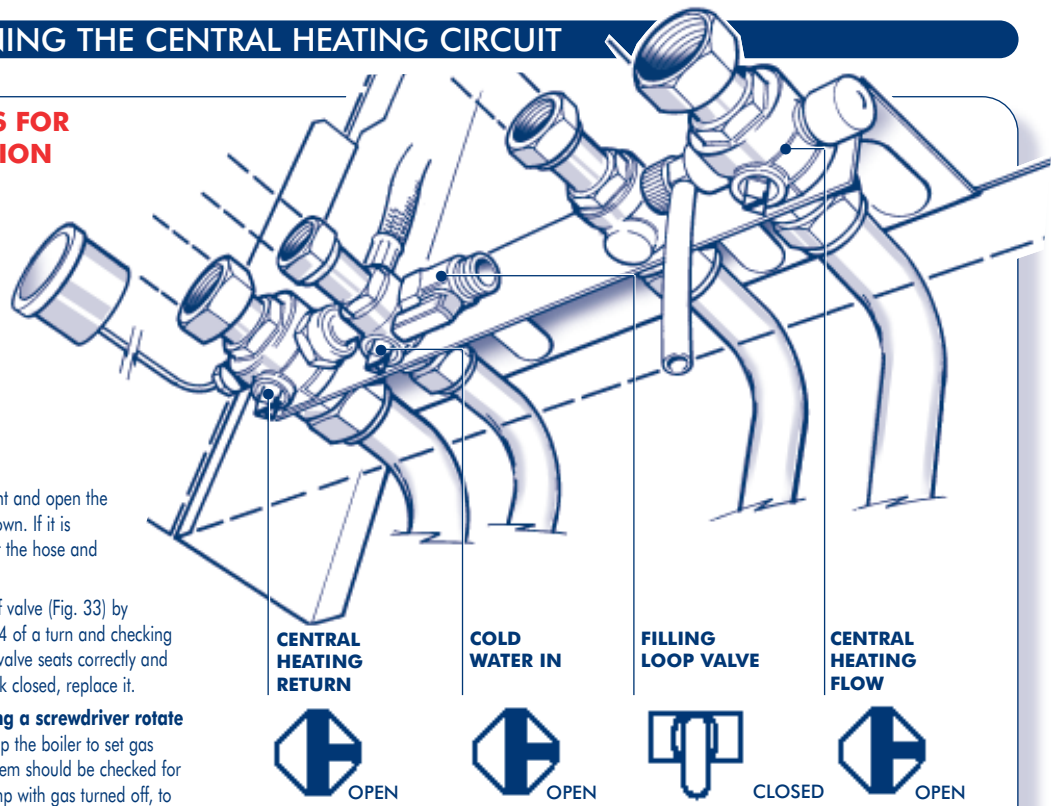
## 5.2

## COMMISSIONING THE CENTRAL HEATING CIRCUIT

### 30

### VALVE POSITIONS FOR NORMAL OPERATION

- 1 Check that the boiler connections are tight and open the valves by turning them to the position shown. If it is necessary to top up the pressure, connect the hose and repeat the procedure in section 5.1
- 2 Check the operation of the pressure relief valve (Fig. 33) by rotating the plastic head anticlockwise 1/4 of a turn and checking that water is discharged. Ensure that the valve seats correctly and does not leak. If the valve leaks or is stuck closed, replace it.
- 3 **Remove the pump end cap and using a screwdriver rotate the rotor, replace cap.** Prior to firing up the boiler to set gas rates, the Central Heating and Boiler system should be checked for circulation by running the boiler and pump with gas turned off, to ensure no air locks occur.



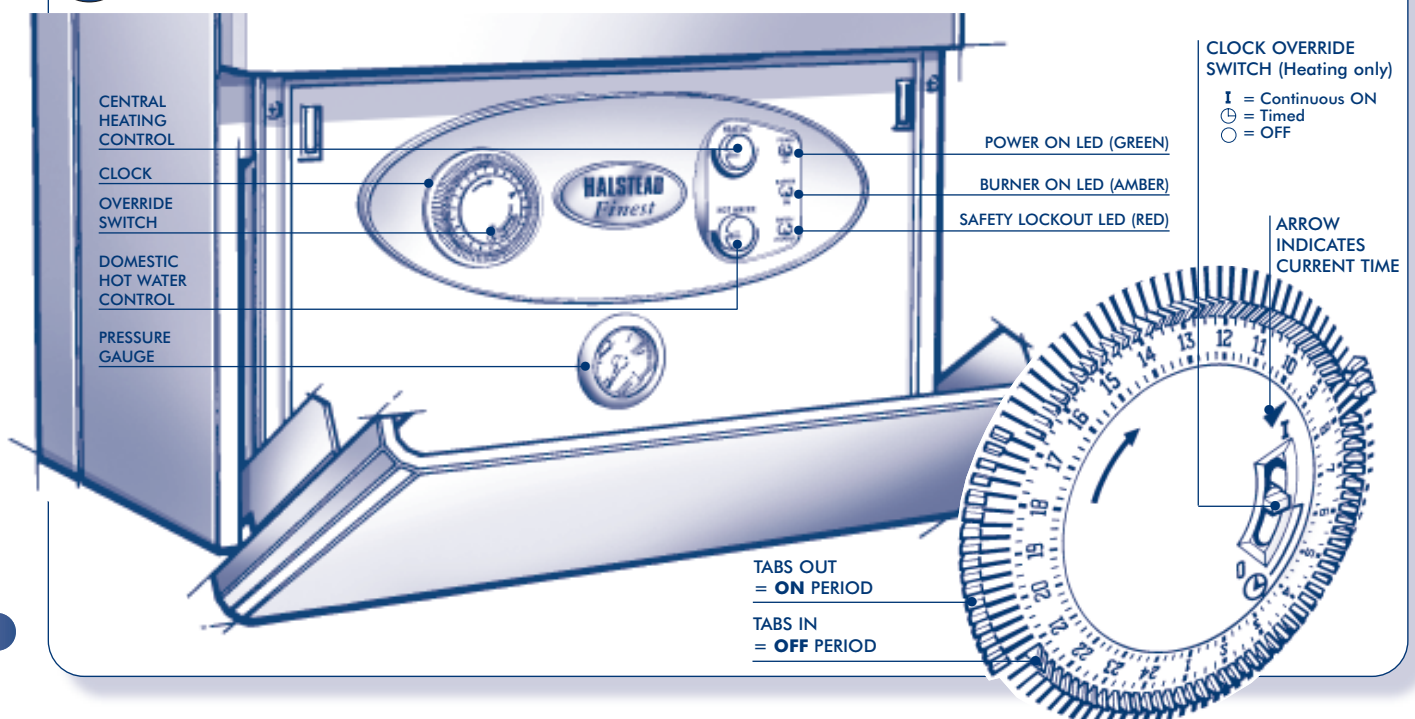
## 5.3

## COMMISSIONING THE APPLIANCE

- a) Loosen the screw and connect a manometer to the burner pressure test point on the gas valve (Fig. 36).
- b) Ensure that the clock override switch on the fascia panel (Fig. 31) is set to the 'OFF' position (hot water only) then turn the hot water control (Fig. 31) to maximum (fully clockwise). Turn on the electrical supply. The pump and fan will operate for 10 seconds whilst the controls check the operation of the air pressure switch, the water flow switch, and the overheat thermostat. (If any of these are not operating correctly the safety lock-out LED will be illuminated refer to section 8.2)
- c) Fully open any DHW tap and the ignition sequence will commence. If the burner fails to light, three ignition attempts are completed before ignition lock-out occurs. In the event of ignition lock-out the safety lock-out LED will flash. To re-set the appliance and initiate a further series of ignition attempts it is necessary to turn off the power supply for a period of ten seconds. (or turn off the DHW demand for 10 seconds).
- d) Allow the boiler to run for at least 10 minutes and check that the burner pressure is as stated on the data badge  $\pm 10\%$ . The DHW burner pressure is factory set and should not require adjusting. If the burner pressure is low, check that the appliance has not started to modulate (This will occur if the

### 31

### FASCIA PANEL AND CONTROLS



DHW flow rate is low. If modulation is suspected, open all DHW taps to maximise flow and re-check burner pressure) If it is necessary to adjust the DHW burner pressure the method is described in section 9.6 Gas valve replacement.

- e) Close the DHW tap and ensure that the 'burner on' neon (Fig. 31) goes off, the burner goes out, and the pump stops after an overrun period.
- f) Ensure that the room thermostat (if fitted) is calling for heat. Turn the heating control knob (Fig. 31) to maximum (fully clockwise), then turn the clock override switch (Fig. 31) to the **I** position. The burner will light.

**NOTE:** that the central heating burner pressure is factory set and is not adjustable.

- g) Set the clock to the desired times by setting the tabs.
- h) Slide the clock override switch to the 'timed' (Auto) position and check the operation of the clock and room thermostat (if fitted).

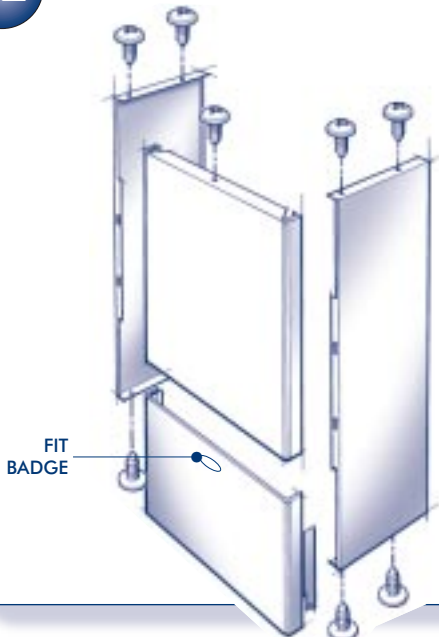
## 5.4 DOMESTIC HOT WATER FLOWRATE

A flow regulator is supplied factory fitted to the appliance to ensure that no adjustment is necessary. Should the mains flow rate be below the minimum required it is possible to remove the flow regulator from the appliance as instructed in section 9 (Fig. 38).

## 5.5 FINAL CHECKS

- a) Turn the appliance off and remove the manometer and tighten the burner pressure test point screw. Re-light burner and test for gas soundness.
- b) Fit the boiler casing as described and illustrated in Figure 32: Fit each side panel (both are identical) with two screws at the top and bottom of each panel. Fit the upper front panel in position and locate by gently sliding it downwards over the supporting tabs. Screw into position using the single fixing screw at the top of the casing. Fit the lower front panel by placing in a horizontal position, pushing it towards the boiler ensuring that the locating pins are engaged, then rotating it upwards - fit badge to front of casing.
- c) Set the heating and hot water controls (Fig. 31) to the required settings. Ensure that the clock override switch is in the timed position, and check that the time clock is set at the desired time periods. Set the room thermostat (if fitted) to the required setting.

## 32 FITTING THE CASING PANELS



## 5.6 IGNITION LOCKOUT

In the event of an ignition failure, the safety lockout LED will flash. Turn off the electrical power supply to the appliance (or remove the demand for heat - either CH or DHW), wait 10 seconds, and restore the power supply (or demand for heat).

## 5.7 OVERHEAT THERMOSTAT

- a) This appliance is fitted with an overheat thermostat. In the event of overheating, the appliance will shut down and the safety lockout LED will light continuously. If an overheat condition occurs allow the appliance to cool, then press the overheat reset button once (located underneath the appliance at the left hand side).

## 5.8 FROST PROTECTION

- a) This appliance is fitted with a frost protection device. In the event of very cold conditions (when the internal pipework temperature falls below 5°C) the boiler will light for a few minutes to protect the appliance and system from potential frost damage.

## 5.9 OTHER FEATURES

The following additional features are included in the appliance specification:

### ANTI-CYCLE DEVICE

When the appliance cycles on it's central heating control setting a slow cycle device operates. This allows the water to heat up slowly thus preventing rapid cycling of the burners.

### ANTI PUMP SEIZURE DEVICE

Providing that a power supply is maintained, The pump will operate for at least 20 seconds every 23 hours (regardless of heat demand) to prevent pump seizure during periods where the appliance is not used.

### WATER FLOW SWITCH

This device prevents the burner from igniting if there is inadequate water flow through the main heat exchanger.

## 5.10 USERS INSTRUCTIONS

Upon completion of commissioning and testing the system, the installer should draw the user's attention to the following.

- a) Give the 'Users Instructions' to the householder and emphasise their responsibilities under the 'Gas Safety (Installation and Use) Regulations 1994' (as amended).
- b) Explain and demonstrate the lighting and shutdown procedures.
- c) Advise the householder on the efficient use of the system, including the use and adjustment of all system controls for both DHW and CH.
- d) Advise the user of the precautions necessary to prevent damage to the system, and to the building, in the event of the system remaining inoperative during frost conditions.
- e) Explain the function of the boiler overheat thermostat, and how to re-set it. Emphasise that if cut-out persists, the boiler should be turned off and the installer or service engineer consulted.
- f) Stress the importance of an annual service by a registered heating engineer.
- g) The electrical mains supply to the appliance must remain on for the frost protection circuit to operate.

# 6 ROUTINE SERVICING

To ensure continued efficient operation of the appliance, it is recommended that it is checked and serviced as necessary at regular intervals. The frequency of servicing will depend upon the particular installation conditions and usage but in general once a year should be adequate. It is the law that any service work must be carried out by a competent person such as British Gas or other CORGI registered personnel.

The boiler incorporates a flue sampling point on the top panel in front of the flue outlet. If the service engineer has suitable equipment to analyse the flue gas, the plastic cap may be removed and a 6mm inside diameter sample tube fitted. Do not forget to replace the plastic cap after use.

Before commencing any service operation, ISOLATE the mains electrical supply, and TURN OFF the gas supply at the main service cock.

Service the appliance by following the full procedure detailed below:

## 6.1 MAIN BURNER ASSEMBLY

- Remove both casing front panels as follows: Pivot the lower front panel downwards and pull forwards to release. Unscrew the upper panel retaining screw and lift off the upper casing panel.
  - Remove the sealed chamber front panel (4 screws)
  - Remove the nut securing the burner locating guide and burner earth wire.
  - Remove the combustion chamber front panel (7 screws). Take care not to damage the insulation.
- Do not attempt to light boiler with Front Panel removed.**
- Unscrew and remove the two screws securing the control box in the upright position and pivot the control box forwards.
  - Remove the plug from the side of the control box and unclip

the grommet in the bulkhead below the burner to release the earth, ignition, and detection wires.

- Remove the burner by sliding it forwards with reference to Figure 34.
- Inspect and if necessary clean the main burner ports using a soft brush or vacuum cleaner. Do not use a wire brush or any abrasive material.

## 6.2 BURNER INJECTOR

- Check that the main injector is free from dirt and debris. If necessary clean the injector orifice using a soft brush or vacuum cleaner. Do not use a wire brush or any abrasive material. It is not necessary to remove the injector unless there is evidence of debris inside the orifice.

## 6.3 IGNITION AND DETECTION ELECTRODES

- Inspect the ignition and detection electrodes in situ. If necessary clean using a soft brush. If either the electrode or the ceramic insulation show signs of damage or wear, replace the electrode(s).
- Check that the alignment of the ignition and detection electrodes are as shown in Figure 35. Adjust by carefully bending the tip of the electrode rod whilst supporting the base of the rod. Do not put any pressure on the ceramic insulation.

## 6.4 FAN ASSEMBLY

- Carefully disconnect the tab connectors on the fan wiring from the fan.
- Disconnect the air pressure switch sensing pipes from the fan, noting their positions
- Remove the fan assembly by unscrewing the two screws, lowering the assembly and lifting it forwards.

33

### LOCATION OF SERVICEABLE COMPONENTS

FAN ASSEMBLY BASE PLATE SCREWS

AUTO AIRVENT

COMBUSTION CHAMBER FRONT PANEL FIXING SCREWS (7)

PUMP

GROUP SET

OVERHEAT THERMOSTAT

PRESSURE GAUGE

CONTROL BOX

AIR PRESSURE SWITCH & PIPES

FAN ASSEMBLY

IGNITION ELECTRODE

BURNER

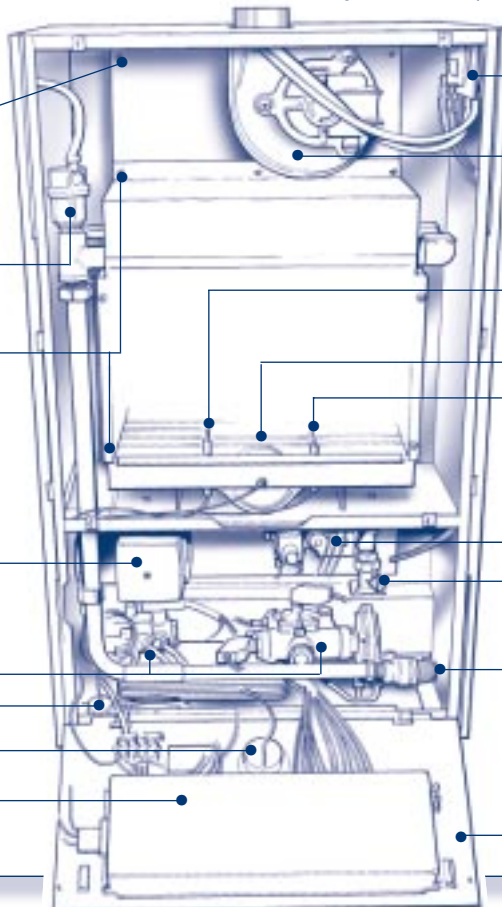
DETECTION ELECTRODE

GAS CONTROL VALVE

GAS COCK

PRESSURE RELIEF VALVE

CONTROL PANEL



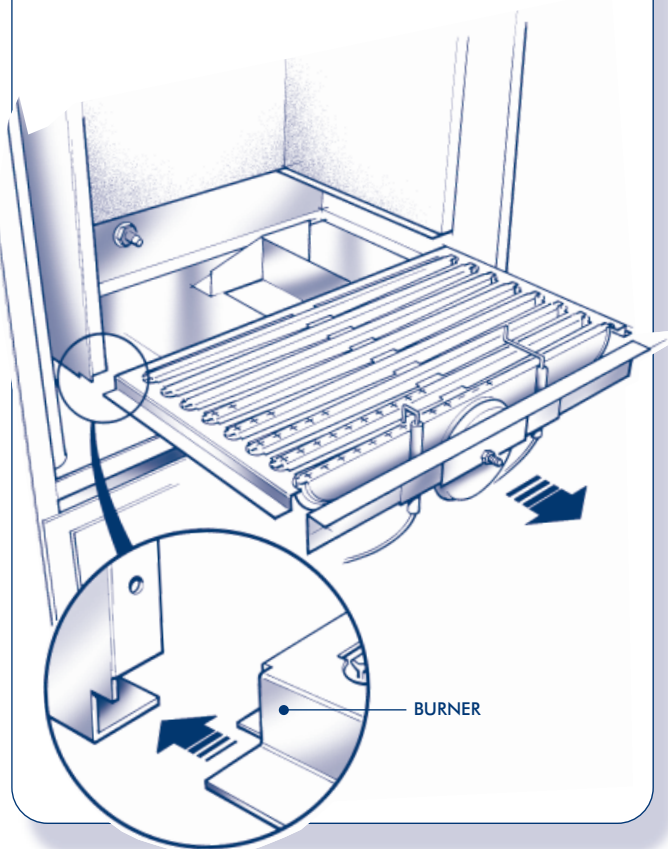


- d) Inspect the fan assembly (especially the impeller) for dirt, damage, or signs of wear. If necessary clean the impeller using a soft brush or vacuum cleaner. Spin the impeller and check that it rotates freely, without noise, and without imbalance. If there is any signs of deterioration or damage, replace the fan.

### 6.5 AIR PRESSURE SWITCH PIPES

- a) Check that the pressure switch sensing pipes are not blocked or damaged. It is not necessary to remove the air pressure switch, this is not adjustable and does not require any servicing.

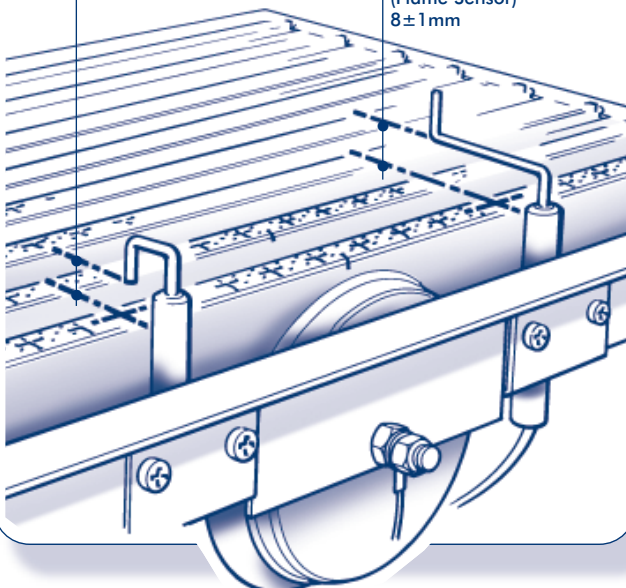
### 34 BURNER REMOVAL



### 35 ELECTRODE ALIGNMENT

IGNITION ELECTRODE  
4 ± 1mm

DETECTION ELECTRODE  
(Flame Sensor)  
8 ± 1mm



### 6.6 HEAT EXCHANGER

- a) Inspect the heat exchanger from both above and below the fins. If necessary, clean the fins with a soft, non metallic brush.

### 6.7 GENERAL

- a) Check that the combustion chamber insulation is not damaged.  
b) Clean the inside of the sealed chamber using a soft brush or (preferably) a vacuum cleaner.  
c) Check that the sealed chamber front panel seal is intact and in good condition. Replace if necessary.  
d) **Always wear a protective mask when cleaning the appliance.**

### 6.8 RE-ASSEMBLY

- a) Re-assemble all components in reverse order except do not pivot the control box back into position or fit the casing front panels until the servicing work has been completed.

When re-fitting the burner it is essential to ensure that the burner guides locate in the appropriate channel as shown in Figure 34.

Check that all joints and seals are correctly fitted. Note that fan polarity is immaterial.

### 6.9 RE-COMMISSIONING

- a) Loosen the screw at the burner pressure test point and connect a pressure gauge to this point (Fig. 36). Turn on the gas and electricity supply and light the boiler as described in section 5.3  
b) Check the operation of the appliance in both central heating and DHW modes and ensure that the DHW max and minimum burner pressures after ten minutes running are as stated on the data badge.  
c) Remove the pressure gauge and tighten the sealing screw. Re-light the appliance and test for gas soundness.

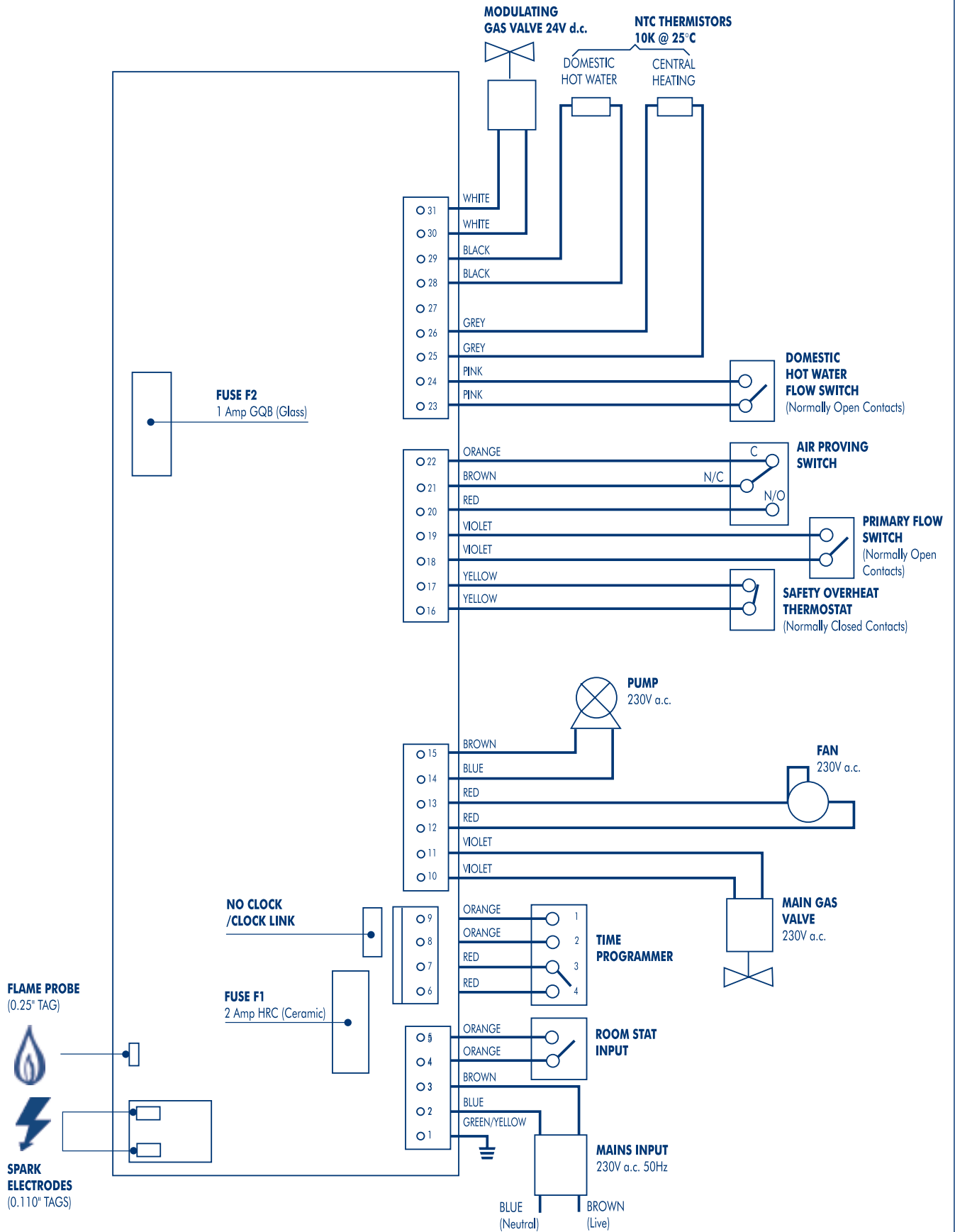
### 6.10 SEALED WATER SYSTEMS

- a) Check the operation of the pressure relief valve as described in section 5.2.  
b) Check the correct operation of the pressure gauge by noting the reading when cold and check that the pressure increases with temperature. Replace the gauge if readings are suspect.  
c) Check that the system is at its original (cold) design pressure (indicated by the pointer on the pressure gauge) If necessary, re-pressurise the system as described in section 5.1 and search for and rectify any leaks causing loss of water.

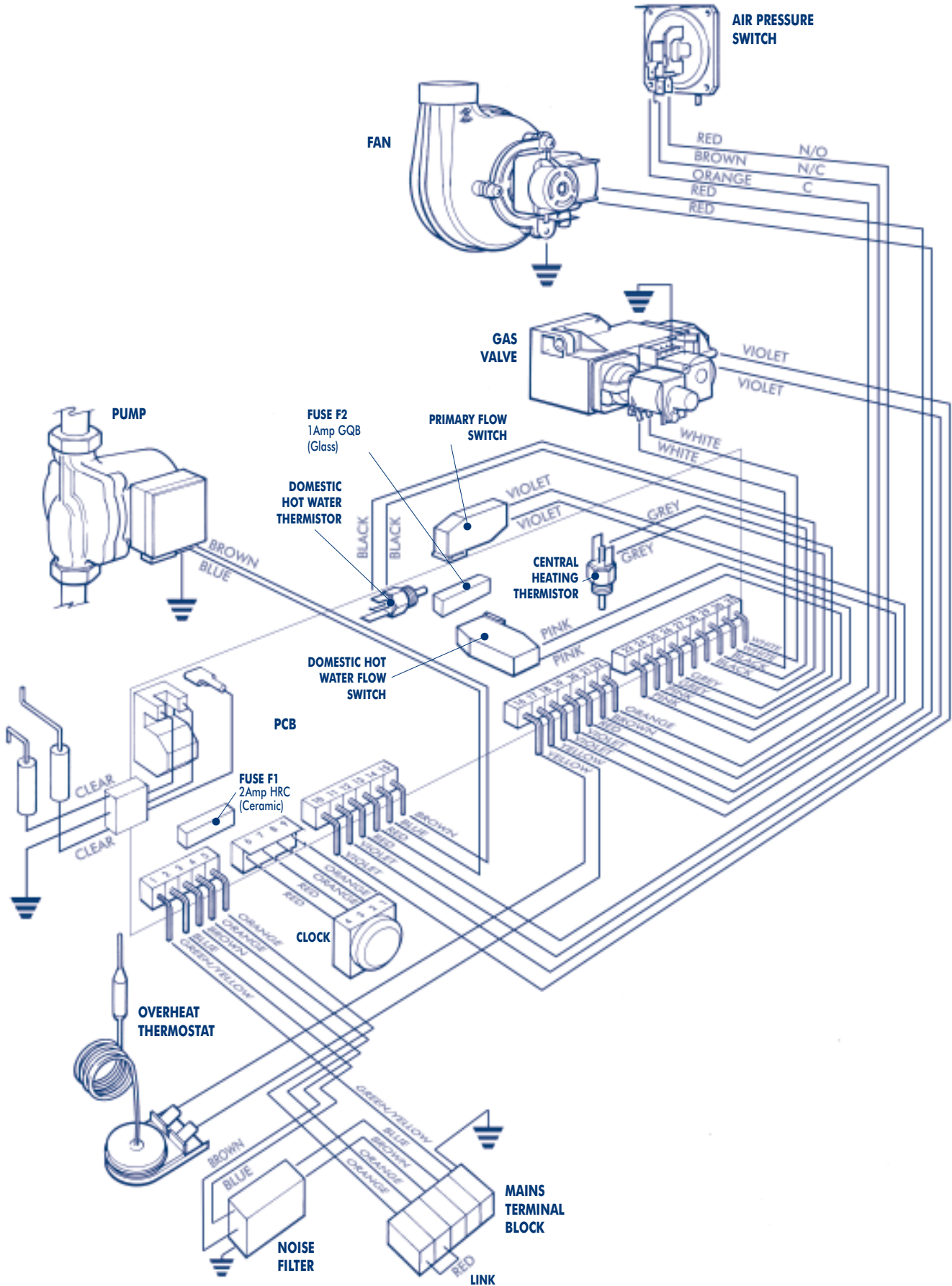
### 6.11 FINAL CHECKS

- a) Pivot the control box into the upright position and secure with the two screws, then re-fit the front casing panels (Fig. 32).  
b) Return all appliance and external controls (if fitted) to their original settings.

## 7.1 : FUNCTIONAL FLOW WIRING DIAGRAM



## 7.2 : ILLUSTRATED WIRING DIAGRAM



# 8

## FAULT FINDING

### 8.1 GENERAL

Before looking for a fault condition, check that:

The mains electrical supply is turned on.

The clock and / or room thermostat (if fitted) are calling for heat (CH 'faults' only)

The gas service cock is open.

The DHW and CH isolation cocks are open.

The system is at design pressure.

Before attempting any electrical fault finding, always conduct the preliminary electrical system checks as described in the Instructions for the British Gas Multimeter or other similar instrument.

On completion of any service or fault finding operation involving making or breaking electrical connections always check for EARTH CONTINUITY, POLARITY, and RESISTANCE TO EARTH.

Detailed procedures for replacing faulty components are described in section 9 (Parts Replacement)

### 8.2 DIAGNOSTIC INDICATOR LED'S

The LED's on the fascia panel (Fig. 31) show the status of the boiler as described below:

Power **ON** LED illuminated. (Green): Boiler is in service. If no other LED's are illuminated, the appliance is awaiting a demand for heating or hot water.

Burner **ON** LED illuminated (Amber): Burner is alight.

Safety Lockout LED flashing (Red): Burner has failed to light and gone to ignition lock-out. Re-set the appliance by disconnecting the power supply (or turning off the CH/DHW heat demand) waiting 10 seconds, and restoring the power (or demand).

Safety Lockout LED illuminated (Red): There is a fault condition preventing operation of the appliance. Follow fault finding procedure.

### 8.3 START/POWER UP FAULTS

When the power is first turned on The pump and fan will operate for 10 to 15 seconds whilst the controls check the operation of the air pressure switch, the water flow switch, and the overheat thermostat. If any of these are not operating correctly the Safety Lock-out LED will be illuminated.

In the event of a power up fault investigate the problem by following flow chart 1.

### 8.4 IGNITION FAULTS

In the event of the boiler failing to light, investigate the problem by following flow chart 2.

### 8.5 DHW FAULT FINDING

When the hot water tap is turned on, the controls should carry out a set of start up checks (flow chart 1) followed by an ignition sequence (flow chart 2)

If the control has powered up correctly but does not respond to a DHW demand, investigate in the following order:

Check for 0V d.c. across pins 23 and 24. If 5V is present across pins 23 and 24 check water flow switch and wiring.

If 0V is present, check DHW thermistor and wiring. If DHW thermistor and wiring are OK, replace PCB.

If burner lights and remains lit, but fails to modulate correctly:

Check voltage at modureg valve, pins 30 and 31. Voltage should be in the range 2.5 - 20V d.c. (During ignition, voltage should be approx 10V d.c.). If outside this range, check DHW thermistor and wiring, If DHW thermistor and wiring are OK, replace PCB.

If modureg voltage varies with temperature but burner pressure remains constant replace gas valve.

### 8.6 CENTRAL HEATING FAULT FINDING

Upon a demand for Central Heating, (closure of the room thermostat and time switch if fitted) the appliance should respond to the demand.

If the control does not respond to a CH demand, investigate in the following order:

If a time switch is not fitted, ensure that the link is in the 'no clock' position.

If 240V a.c. is present across pins 2 and 4 but no start up procedure occurs ensure that the control is not in anti-cycle mode by removing power from the control and restoring it after a delay of 10 seconds.

If the control still does not carry out start up checks,

Check CH thermistor and wiring. If CH thermistor and wiring are OK, replace PCB.

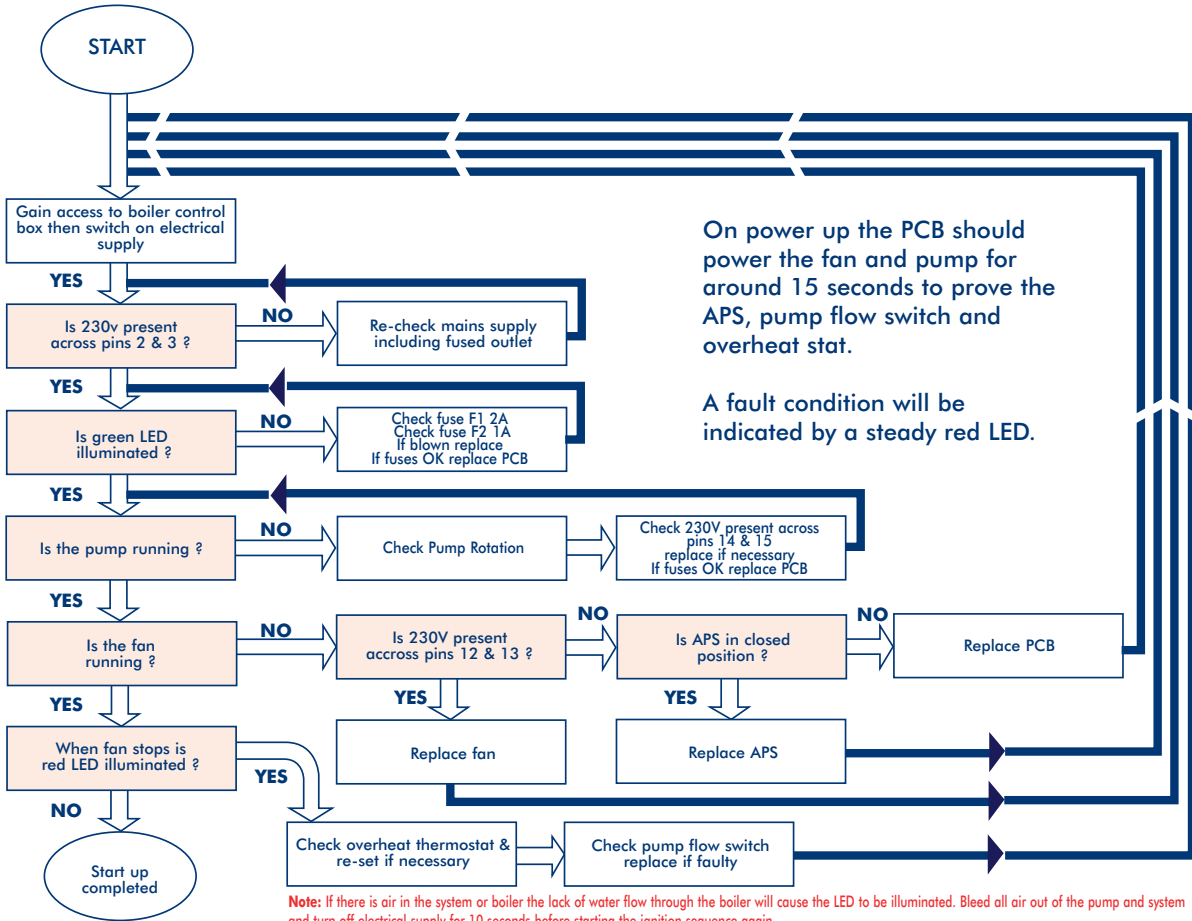
If burner lights and remains lit, but fails to modulate correctly:

Check voltage at modureg valve, pins 30 and 31. Voltage should be in the range 2.5 - 20V d.c. (During ignition, voltage should be approx 10V d.c.). If outside this range, check CH thermistor and wiring, If CH thermistor and wiring are OK, replace PCB.

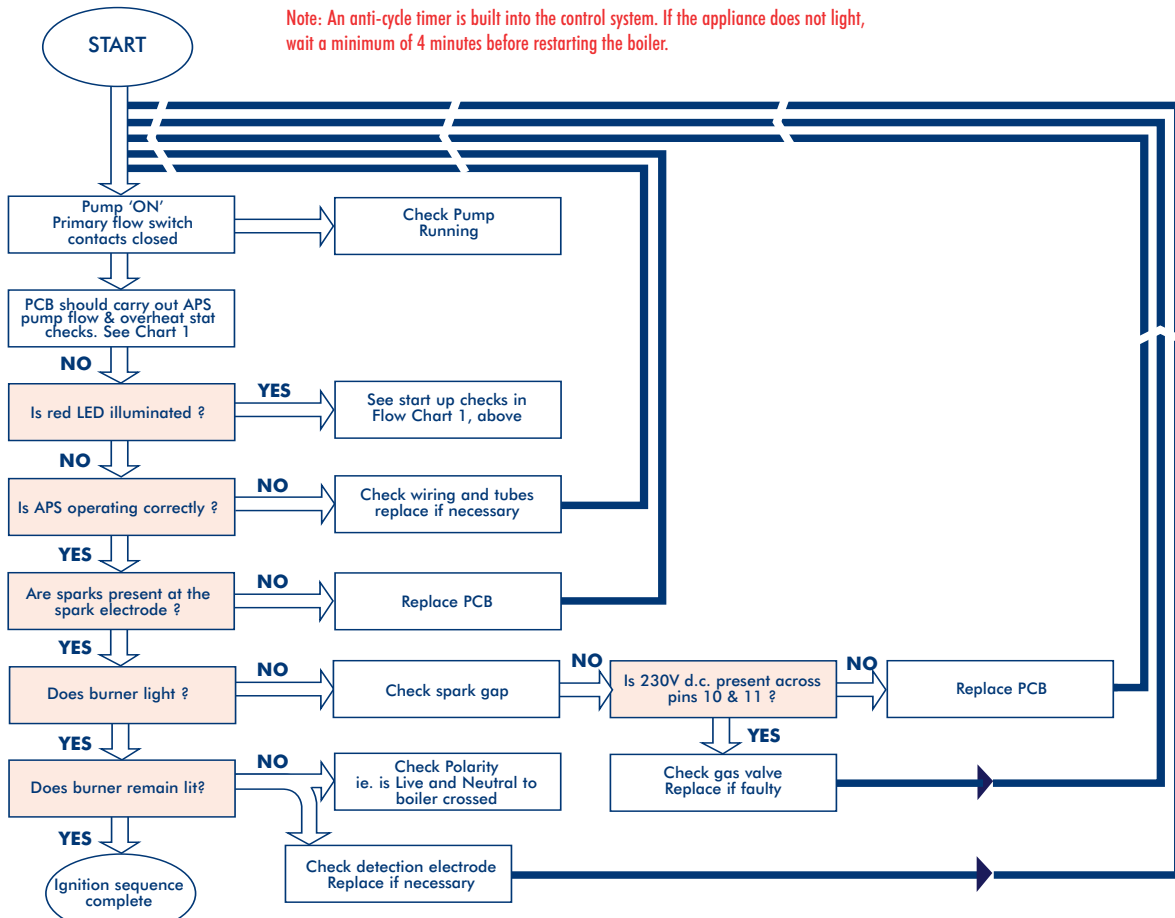
If modureg voltage varies with temperature but burner pressure remains constant replace gas valve.

**Note: Whenever a CH demand is removed, either by the timer, the room thermostat or the boiler internal temperature control, an anti cycle mode is initiated which prevents the boiler firing in CH mode for 3 minutes.**

## FLOW CHART 1: START/POWER UP FAULT FINDING



## FLOW CHART 2: IGNITION SYSTEM FAULT FINDING



Before commencing any service operation, ISOLATE the mains electrical supply, and TURN OFF the gas supply at the main service cock.

It is the law that any service work must be carried out by a registered person.

### 9.1 HEAT EXCHANGER

- a) Remove both casing front panels as follows: Pivot the lower front panel downwards and pull forwards to release. Unscrew the upper panel retaining screw and lift off the upper casing panel.
- b) Remove the sealed chamber front panel (4 screws).
- c) Remove the nut securing the burner to the burner locating bracket (and burner earth wire).
- d) Remove the combustion chamber front panel and burner locating bracket (7 screws). Take care not to damage the insulation.
- e) Unscrew and remove the two screws securing the control panel in the upright position and pivot the control panel forwards.
- f) Remove the plug from the side of the control panel and unclip the grommet in the bulkhead below the burner to release the earth, ignition, and detection wires.
- g) Remove the burner by sliding it forwards with reference to Figure 34.
- h) Turn the CH flow and return valves to the closed position to isolate the boiler. (see section 5.1), then drain the appliance using the drain cock provided on the CH flow valve.
- i) Carefully remove the LH combustion chamber insulation panel to reveal an access hole to the heat exchanger union connections.
- j) Using a suitable spanner, unscrew the heat exchanger connections from inside the combustion chamber.
- k) Lift the heat exchanger clear of the two pipes, then remove the heat exchanger by sliding it forwards.
- l) Replace the heat exchanger and re-assemble in reverse order. Ensure that all joints and seals are correctly re-fitted and re-commission the system using the procedure in section 5.1.

### 9.2 COMBUSTION CHAMBER INSULATION

The design of the appliance is such that the combustion chamber insulation should not require replacement unless mechanically damaged. It is recommended that the insulation is dampened prior to removal to prevent dust.

- a) To replace the combustion chamber insulation front panel remove the front panel as described in section 9.1 steps (a) to (c) and replace the insulation.
- b) To replace the combustion chamber insulation side and rear panels remove the heat exchanger as described in section 9.1 and replace the insulation.
- c) Re-assemble in reverse order. Ensure that all joints and seals are correctly re-fitted and re-commission the system (if necessary) using the procedure in section 5.1.

**It is recommended that a protective mask is worn when changing or handling the insulation material.**

### 9.3 FAN ASSEMBLY

- a) Gain access to the fan assembly by following section 9.1 steps (a) to (d).
- b) Carefully disconnect the tab connectors on the fan wiring.
- c) Disconnect the air pressure switch sensing pipes from the fan, noting their position.
- d) Remove the fan assembly by unscrewing the two screws, lowering the assembly and lifting it forwards.
- e) Replace the fan assembly and re-assemble in reverse order. Ensure that all joints and seals are correctly re-fitted. (Polarity is immaterial on the fan L and N connections.)

### 9.4 BURNER

- a) Remove the burner as described in section 9.1 steps (a) to (g).
- b) Transfer the ignition and detection electrodes to the new burner and check that their alignment is as detailed in figure 35.
- c) Replace the burner (with reference to figure 34) and re-assemble in reverse order. Ensure that all joints and seals are correctly re-fitted. (Polarity is immaterial on the fan L and N connections.)

### 9.5 IGNITION & DETECTION ELECTRODES

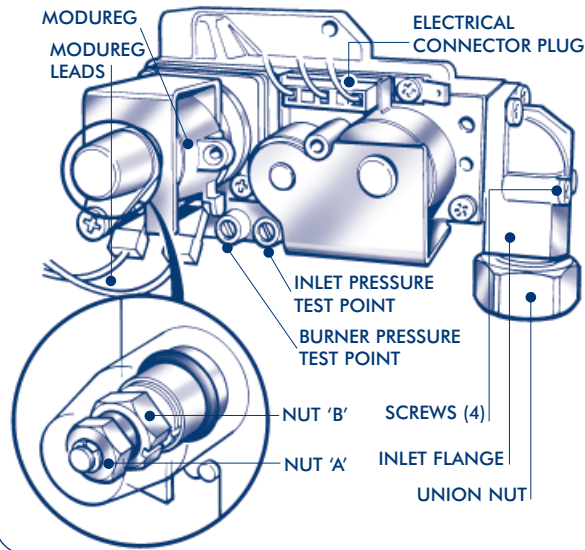
- a) Remove the burner as described in section 9.1 steps (a) to (g).
- b) Replace the ignition and /or detection electrode(s) and check that both electrodes are aligned as detailed in figure 35. Re-assemble in reverse order. Ensure that all joints and seals are correctly re-fitted.

### 9.6 MULTIFUNCTIONAL GAS CONTROL

- a) Remove the casing panels and lower the control box as described in section 9.1 step (a).
- b) Carefully pull off the electrical connector plug and the two modureg connections from the multifunctional gas control (Fig. 36).
- c) Check that the gas service cock is turned off, and unscrew the union on the gas cock followed by the four screws securing the outlet flange and remove the gas control.
- d) Remove the four screws securing the inlet flange to the gas control, then replace the multifunctional gas control and re-assemble in reverse order ensuring that the 'O' rings are correctly fitted.
- e) Connect a suitable manometer to the inlet and burner pressure test points, turn on the gas supply. Check for gas soundness taking the precautions described in section 5 and re-commission the appliance in accordance with section 5.3. In addition it will be necessary to set the DHW heat inputs as described below:
  - f) SET THE DHW INPUT AS FOLLOWS: (Refer to figure 36)
    - 1) Remove the sealing cap of the modureg unit (single fixing screw).
    - 2) Isolate the mains electricity supply and disconnect the two low voltage modulation leads. Restore the mains supply and fully open any DHW tap. The appliance will light at minimum input.

- 3) Using a 10mm spanner, turn brass nut 'B' to attain the required minimum burner pressure (as stated in section 2.2 or on the data plate. Turn the nut clockwise to increase or anticlockwise to decrease the pressure.
- 4) Check that the minimum pressure is correctly set by turning on and off the DHW tap several times and on each occasion allowing the burner to ignite.

## 36 MULTIFUNCTIONAL GAS CONTROL



- 5) Isolate the mains electricity supply and re-connect the two modureg leads. (polarity is immaterial). Restore the electricity supply and fully open any hot water tap to ensure that the flow rate is high to prevent modulation. (Note ignition should occur in the region of 6 mbar (2.4 in.wg) burner pressure and increase to maximum rate.)
- 6) Set the MAXIMUM DHW pressure (as detailed on the data plate or in section 2.2) by holding nut 'B' in position with a 10 mm spanner and rotating plastic nut 'A' with a 7 mm spanner until the correct pressure is obtained. Turn the nut clockwise to increase or anticlockwise to decrease the pressure. It is essential that the MINIMUM pressure has been set prior to adjusting the MAXIMUM pressure. Check that the MAXIMUM pressure is correctly set by turning on and off the DHW tap several times and on each occasion allowing the burner to ignite and increase to the maximum level.
- 7) Refit the modureg unit sealing cap.
- 8) Reduce the DHW draw off rate progressively and check that the burner pressure reduces in response to DHW temperature rise.
- 9) Close the DHW tap and ensure that the burner is extinguished and the pump stops (after a brief overrun period). Remove the pressure gauge, open the DHW tap to re-light the burner and test for gas soundness.
- 10) Close the DHW tap, re-assemble the control panel and casing, then set all boiler controls as required.

## 9.7 PRESSURE SWITCH

- a) Remove the casing front panels as described in section 9.1 step (a) and remove the sealed chamber front panel (4 screws).

- b) Disconnect the pressure sensing pipes from the pressure switch (note that the short pipe (from the flue gas sampling point) is connected to the rear (-ve) connection on the pressure switch).
- c) Unscrew the two screws securing the pressure switch, and transfer the electrical connections to the new switch.
- d) Fit the new pressure switch and re-assemble in reverse order referring to the wiring diagrams (section 7) if necessary.

## 9.8 OVERHEAT THERMOSTAT

- a) Remove the casing panels and lower the control box as described in section 9.1 step (a).
- b) Unclip the thermostat phial from the pipe, and disconnect the two electrical connections (Fig. 37).
- c) Unscrew the four screws (underneath) securing the appliance baseplate and control box. Carefully support the control box and unscrew the nut securing the overheat thermostat.
- d) Replace the thermostat and re-assemble in reverse order. Ensure that the phial is correctly clipped onto the pipe.

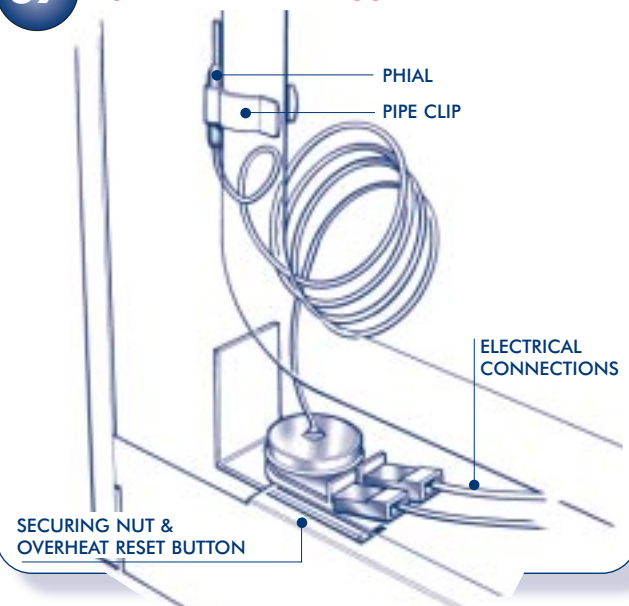
## 9.9 PCB

- a) Remove the casing panels and lower the control box as described in section 9.1 step (a).
- b) Unclip all electrical connector plugs from the PCB (Refer to section 7, 7.1).
- c) Remove the six screws securing the plastic PCB housing.
- d) Remove the PCB, transfer the plastic knobs onto the new PCB and re-assemble in reverse order.

## 9.10 CH/DHW MICROSCHWITCH

- a) Remove the casing panels and lower the control box as described in section 9.1 step (a).
- b) Release the appropriate microswitch assembly from the spindle by sliding out the retaining spring clip (Refer to figure 38).
- c) Unscrew the three screws fixing the plastic housing halves together and slide the microswitch forwards to release it from the housing.
- d) Transfer the electrical connections to the new microswitch, fit the new microswitch and re-assemble in reverse order.

## 37 OVERHEAT THERMOSTAT



## 9.11 THEMISTORS - DHW OR HEATING

The thermistors are immersed in the waterways hence slight water loss is likely during this operation. Provision should be made to collect a small amount of water underneath the appliance.

- Remove the casing panels and lower the control box as described in section 9.1 step (a).
- Isolate the appliance from the system as follows:  
If replacing DHW thermistor turn off the inlet water valve (see section 5) and open all DHW taps to empty the DHW circuit).  
If replacing CH thermistor, turn of the boiler flow and return from the system using the isolation valves as shown in section 5.
- Unclip and remove the electrical connector plug from the thermistor. Unscrew the thermistor from the waterway.
- Replace the thermistor and re-assemble in reverse order. Re-commission the system as described in section 5.

## 9.12 WATER FLOW REGULATOR

- Remove the casing panels and lower the control box as described in section 9.1 step (a).
- Isolate the cold water inlet valve (see section 5) and drain the DHW circuit by opening all DHW taps.
- Make provision to collect any discharged water and unscrew and remove the large brass nut (Fig. 38) supporting the regulator assembly.
- Unscrew the small nut at the opposite end of the assembly and carefully remove the plastic water regulator. Replace the water flow regulator. Ensure that the regulator is the correct way around (Fig. 38). The filter should be cleaned.
- Carefully re-assemble in reverse order then re-commission the DHW circuit as described in section 5.

## 9.13 DHW HEAT EXCHANGER

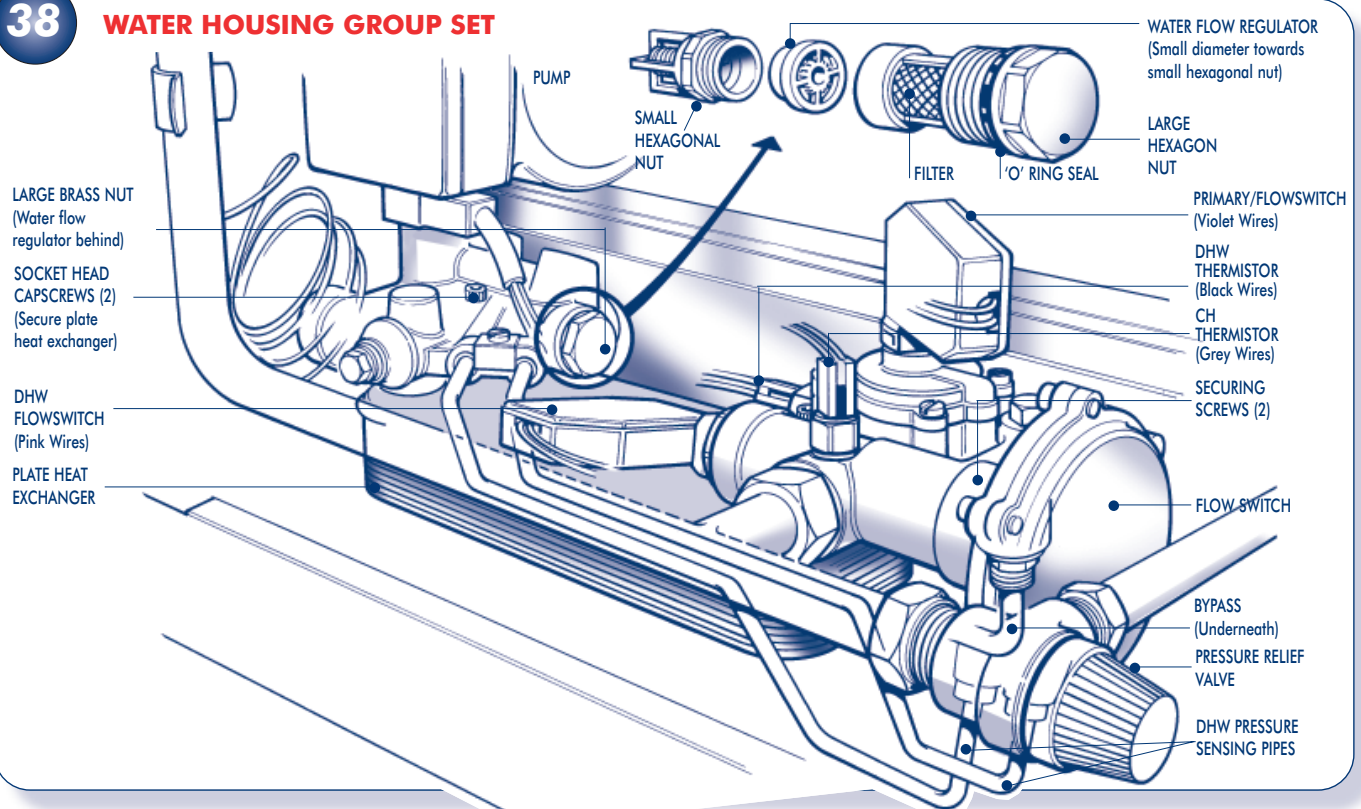
- Remove the casing panels and lower the control box as described in section 9.1 step (a).

- Unclip the pressure gauge and the PCB connector plugs from the control box, disconnect the mains electrical connection (and external controls, if fitted) unclip the controls housing from the baseplate, and remove it from the boiler.
- Unscrew and remove the baseplate (4 screws).
- Turn the CH flow and return valves to the closed position to isolate the boiler (see section 5.1), then drain the appliance using the drain cock provided on the CH flow valve.
- Isolate the cold water inlet valve and drain the DHW circuit by opening all DHW taps.
- From underneath the appliance, remove the two spring clips securing the bypass pipe, and pull out the pipe. (Collect any discharged water).
- Unscrew the two socket head cap screws supporting the heat exchanger (from above the heat exchanger - see Figure 38) and push the heat exchanger downwards to release it. (Collect any discharged water).
- Replace the heat exchanger, then re-assemble in reverse order and re-commission the heating and hot water systems as explained in section 5.
- Check for leaks.

## 9.14 DHW FLOW SWITCH BODY

- Remove the casing panels and lower the control box as described in section 9.1 step (a).
- Remove the complete control box and baseplate as described in section 9.13 steps (b) and (c).
- Isolate the cold water inlet valve and drain the DHW circuit by opening all DHW taps.
- Refer to Figure 38. Unscrew the two screws securing the switch body to the main brass block. note the position of the alignment pin.
- Remove the two spring clips which secure the pressure sensing pipes into the switch body and pull out the pipes, taking care to collect any residual water.

## 38 WATER HOUSING GROUP SET





- f) Remove the switch body by sliding to the right.
- g) Replace the flow switch and re-assemble in reverse order. Ensure that the alignment pin is correctly aligned. Re-commission the hot water system as explained in section 5.

## 9.15 PUMP

- a) Remove the casing panels and lower the control box as described in section 9.1 steps (a) and (b).
- b) Turn the CH flow and return valves to the closed position to isolate the boiler (see section 5.1), then drain the appliance using the drain cock provided on the CH flow valve.
- c) Remove the screw securing the electrical connections cover on the pump, and remove the electrical connections.
- d) Either unscrew the two pump unions and remove the entire pump (using new sealing gaskets) OR unscrew the four socket head cap screws and remove the pump head only.
- e) Replace the pump (or pump head), re-assemble in reverse order, and re-commission the system as explained in section 5.

## 9.16 PRESSURE RELIEF VALVE

- a) Remove the casing panels and lower the control box as described in section 9.1 step (a).
- b) Turn the CH flow and return valves to the closed position to isolate the boiler (see section 5.1), then drain the appliance using the drain cock provided on the CH flow valve.
- c) Unscrew the union connections to the pressure relief valve, and remove the valve.
- d) Replace the valve, re-assemble in reverse order, and re-commission the system as explained in section 5.

## 9.17 PRESSURE GAUGE

- a) Remove the casing panels and lower the control box as described in section 9.1 step (a).
- b) Turn the CH flow and return valves to the closed position to isolate the boiler (see section 5.1), then drain the appliance using the drain cock provided on the CH flow valve.
- c) Unscrew the pressure gauge connection from the valve assembly, unclip the pressure gauge head out of the fascia panel, and remove the pressure gauge.
- d) Replace the pressure gauge, re-assemble in reverse order, and re-commission the system as explained in section 5.

## 9.18 AUTO AIR VENT

- a) Remove the casing front panels and sealed chamber front panel as described in section 9.1 step (a).
- b) Remove the combustion chamber front panel and burner locating bracket (7 screws). Take care not to damage the insulation.
- c) Turn the CH flow and return valves to the closed position to isolate the boiler (see section 5.1), then drain the appliance using the drain cock provided on the CH flow valve.
- d) Remove the plastic pipe from the top of the air vent, and unscrew the auto air vent using a suitable pipe wrench.
- e) Fit replacement and re-assemble in reverse order.

## 9.19 CH EXPANSION VESSEL

In the unlikely event of failure of the expansion vessel diaphragm it is acceptable to leave the vessel in position and to fit a replacement vessel (of similar or greater capacity) external to the appliance but as close as possible to the CH return.

To replace the expansion vessel it is necessary to isolate the central heating system from the appliance, drain the appliance and multifunctional boiler chassis then remove the appliance from the multifunctional boiler chassis and drain the central heating system. The vessel can then be unscrewed and replaced.

## 9.20 OPTIONAL TIME CLOCK

- a) Remove the casing panels and lower the control box as described in section 9.1 step (a).
- c) Remove the six screws securing the plastic PCB housing and carefully lift it clear of the front panel, to expose the timer fixing screws.
- d) Unscrew the four timer fixing screws, transfer the wires to the new timer (referring to the wiring diagrams in section 7 if necessary), and re-assemble in reverse order.

**NOTE:** Should an external time clock be used with the appliance, the internal clock may be replaced with a switch which is available as an optional extra. If the clock is to be powered from the appliance connection (terminal 5) then the switch should be kept ON to maintain a permanent live supply to the clock motor.

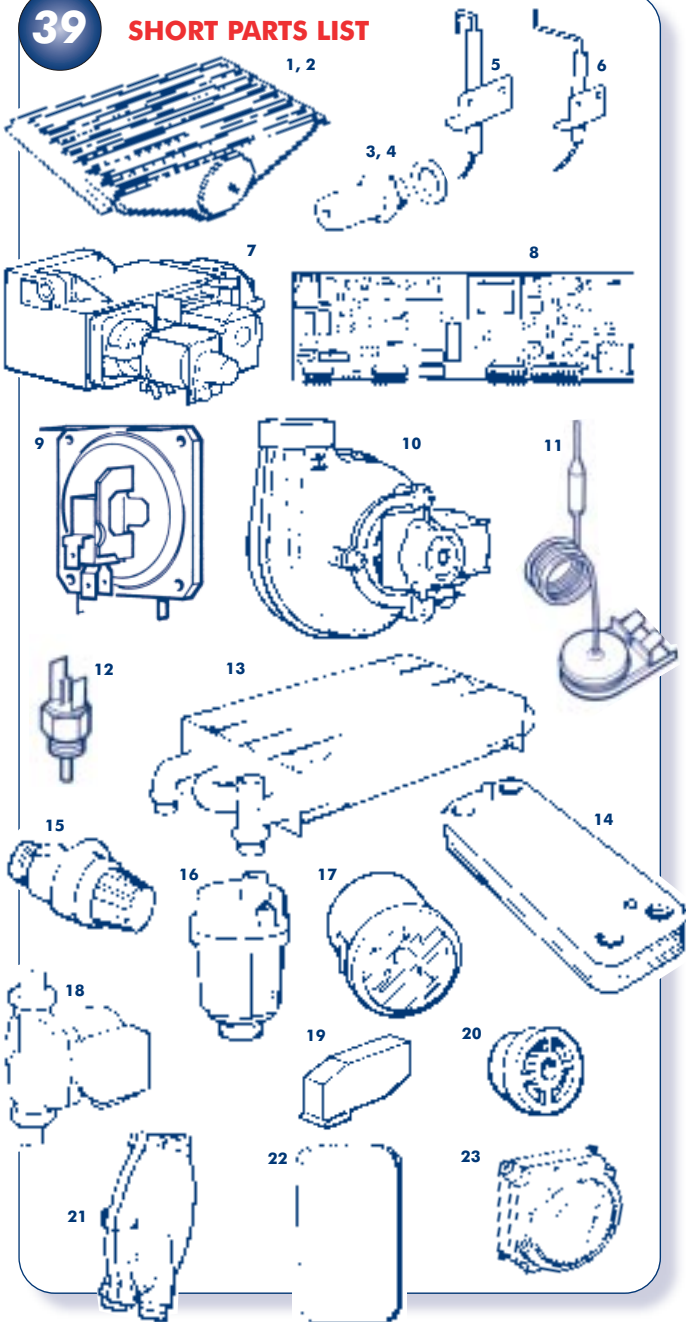
Alternatively the intergrated clock can be switched to permanently ON, or the red jumper on the PCB can be positioned to NO CLOCK POSITION.

# 10 SHORT PARTS LIST

Key	G C Part No.	Description	No off	Makers Pt No.
1		BURNER (Natural gas)	1	700535
2		BURNER (Propane gas)	1	700538
3		INJECTOR (Natural gas)	1	700536
4		INJECTOR (Propane gas)	1	700537
5		IGNITION ELECTRODE	1	500588
6		DETECTION ELECTRODE	1	500589
7		GAS CONTROL	1	500591
8		PCB	1	500585
9		AIR PRESSURE SWITCH	1	500592
10		FAN ASSEMBLY	1	988355
11		OVERHEAT THERMOSTAT	1	550519
12		THERMISTOR	2	500590
13		MAIN HEAT EXCHANGER	1	450978
14		DHW HEAT EXCHANGER	1	450985
15		PRESSURE RELIEF VALVE	1	450987
16		AUTO AIR VENT	1	450908
17		PRESSURE GAUGE	1	450961
18		PUMP	1	851213
19		MICROSWITCH ASSEMBLY	2	500593
20		WATER FLOW REGULATOR	1	300716 STD 300715 GOLD
21		FLOW SWITCH BODY	1	500594
22		EXPANSION VESSEL	1	450986
23		HEATING CLOCK	1	600520

39

**SHORT PARTS LIST**



**11 SUPPLEMENT 1**

Supplementary instructions for flue systems with a vertical outlet.

- Read the installation requirements and flue specifications described in section 3.
- Follow the installation procedure described in section 4 up to section 4.7 (but making the necessary hole(s) in the ceiling/roof instead of the wall). Use the following instructions in place of section 4.7.
- Measure the vertical distance from the top of the boiler case to the roof line (Fig. 41). Use this length to calculate the number of extension ducts required.
- Starting at the boiler, fit the vertical socket, standard duct and extensions required. Then fit the adaptors.
- Now working from outside fit the Balanced flue roof terminal, ensuring the roof flashing and sealing components are secured to the roof.
- Ensure the inner and outer ducts are correctly fitted to the adaptor.

Note: All the joints should be secured using the self-tapping screws supplied.

**SE-DUCT APPLICATIONS**

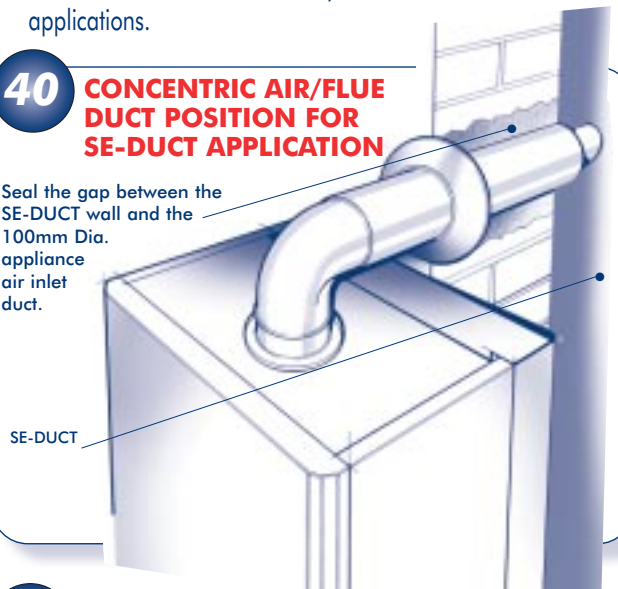
These supplementary instructions must be read in conjunction with the Installation and Servicing Instructions supplied with the appliance. The entry of the concentric air/flue duct should be as close to the centre of the entry face of the SE-DUCT as possible. It is very important that the concentric air/flue duct is not positioned in the corner of the SE-DUCT.

The standard flue kit supplied with the appliance is suitable for installation in a SE-DUCT application. The appliance Installation and Servicing Instructions should be used for the complete installation with the exception of the following.

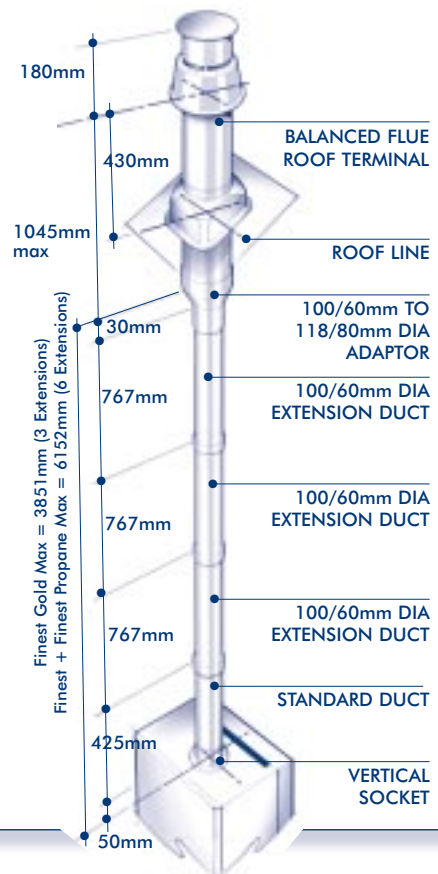
- The external wall sealing ring should not be fitted.
- The end of the air duct should be fitted flush with the inside of the SE-DUCT as shown in the diagram below.
- Horizontal flue installations only are suitable for SE-DUCT applications.

**40 CONCENTRIC AIR/FLUE DUCT POSITION FOR SE-DUCT APPLICATION**

Seal the gap between the SE-DUCT wall and the 100mm Dia. appliance air inlet duct.



**41 FLUE SYSTEM ASSEMBLY AND DIMENSIONS**



# 12 SUPPLEMENT 2

## Supplementary instructions for flue systems incorporating an additional 90° elbow.

- Read and follow the installation procedure described in the main section of the installation instructions up to section 4.2.
- Using the MBC as a template and the dimensional information given earlier in this booklet determine where the boiler and flue are to be positioned and make the necessary hole in the wall(s) for the air/flue duct as defined in section 4.2.
- Install the boiler as described in section 4 with the exception of the flue system (4.7)

- Using the information and dimensions in Figure 41 and earlier in this booklet calculate the lengths required for each duct.
- Cut each duct to length, ensuring that each cut is square and free from burrs.
- Install the flue terminal as described in section 4.7, then starting at the terminal end assemble the ducts as shown in Figure 42, and work back towards the boiler.

**IMPORTANT NOTE:** All flue joints must be secured by two self-tapping screws through the air duct as illustrated.

# 13 SUPPLEMENT 3

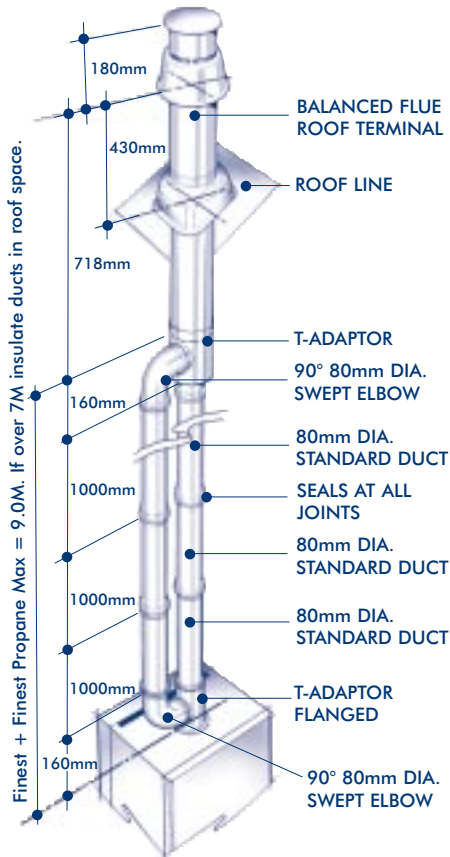
## Supplementary instructions for twin pipe flue systems.

- Read the installation requirements and flue specifications described in section 3 but refer to section 2.7 page 6 if a twin pipe flue system is to be fitted.
- Using the MBC as a template and the dimensional information given earlier in this booklet determine where the boiler and flue are to be positioned and make the necessary holes in the wall(s) for the air/flue duct as defined in Figure 42.
- Install the boiler as described in section 4 with the exception of the flue system (4.7).

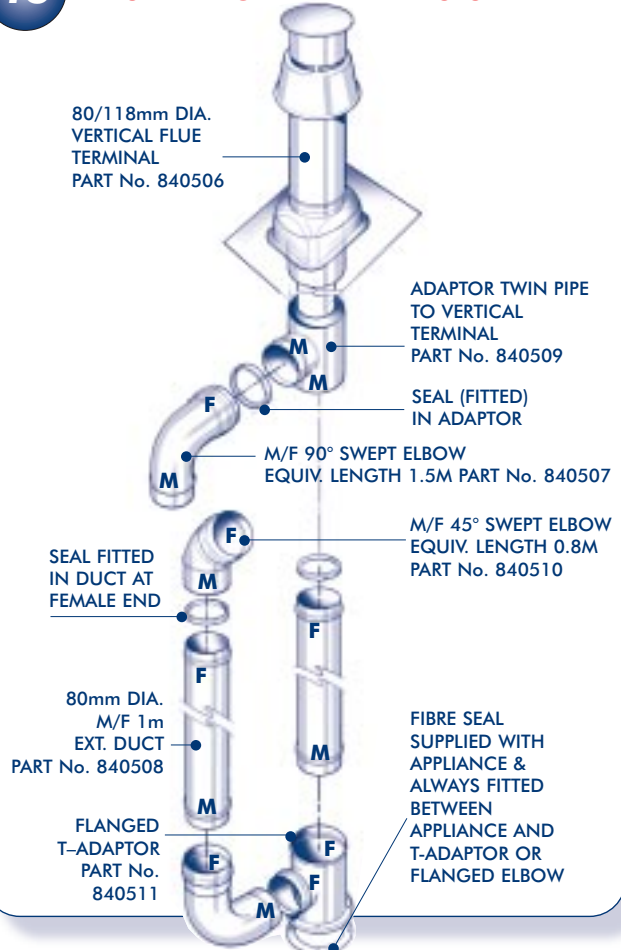
- Using the information and dimensions in Figure 42 and earlier in this booklet calculate the lengths required for each duct.
- Cut each duct to length, ensuring that each cut is square and free from burrs.
- Install the flue terminal by first lifting the roof flashing in position in the roof. Then inserting the terminal from above, down through the flashing. The two plastic parts will mate together to form a seal. Continue assembling the ducts downwards, working back to the boiler as shown in Figure 42

**IMPORTANT NOTE:** All flue joints must be secured by two self-tapping screws through the air duct as illustrated.

## 42 TWIN PIPE SYSTEM DIMENSIONS



## 43 INSTALLING A TWIN PIPE SYSTEM



# HALSTEAD

*British Made Boilers*

20/22 First Avenue, Bluebridge Industrial Estate, Halstead, Essex C09 2EX  
Tel: (01787) 475557 Fax: (01787) 474588

**SERVICE HOTLINE (01203) 351424**

Halstead Boilers are continuously improving their products and therefore reserve the right to change specifications without prior notice and accept no liability for any error or omission in the information contained in this document.

**HB 2-99-750786**

© HALSTEAD BOILERS LTD. 1998