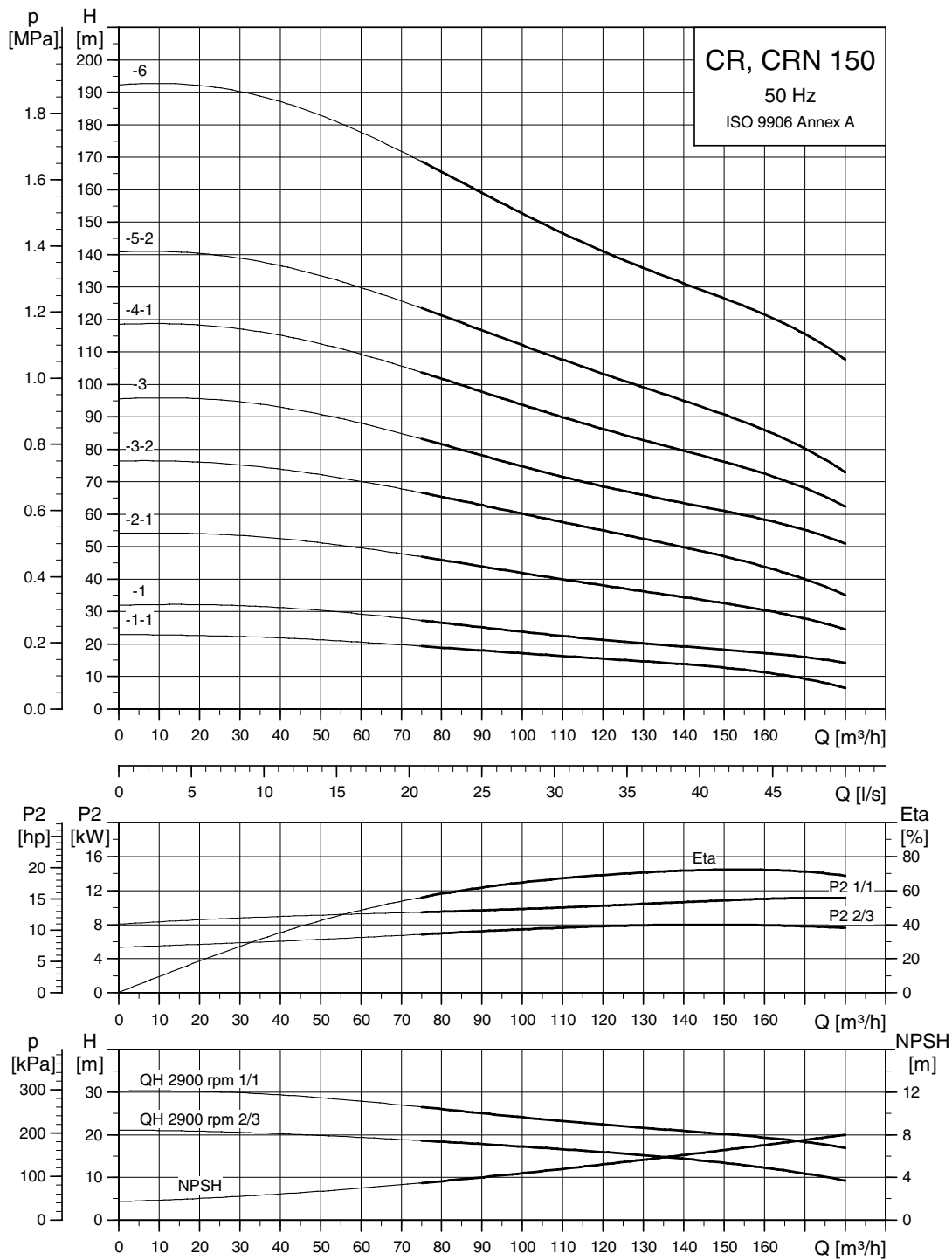


CR, CRN 150

50 Hz

Performance curves

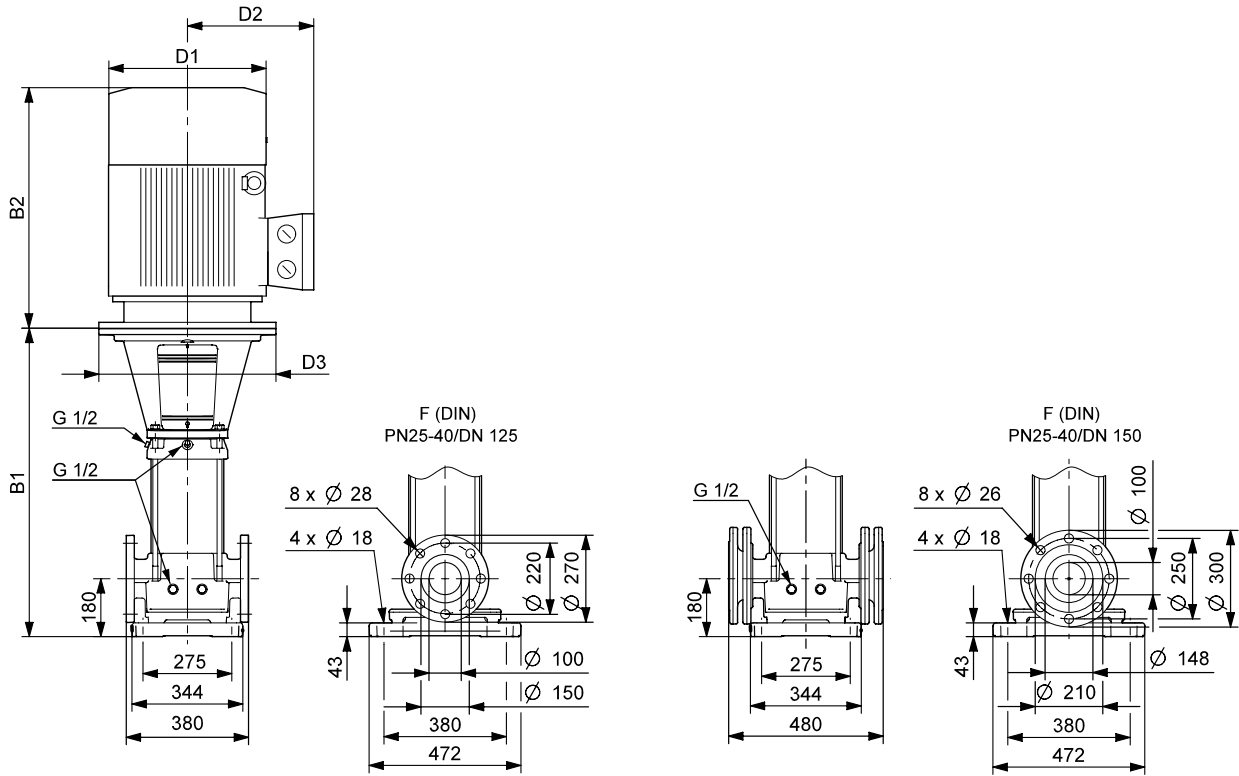


TM03 8266 2407

CR, CRN 150

50 Hz

Dimensional sketch



Dimensions and weights

Pump type	Motor P ₂ [kW]	Dimension [mm]					Net weight [kg]
		B1	B1+B2	D1	D2	D3	
CR, CRN 150-1-1	11	835	1334	260	172	350	193
CR, CRN 150-1	15	835	1313	320	197	350	194
CR, CRN150-2-1	22	990	1600	363	262	350	297
CR, CRN 150-3-2	30	1146	1756	402	300	400	357
CR, CRN 150-3	37	1146	1813	402	300	400	387
CR, CRN 150-4-1	45	1301	2010	442	325	449	480
CR, CRN 150-5-2	55	1487	2234	495	392	550	621
CR, CRN 150-6	75	1642	2462	555	432	550	766

Subject to alterations.