



USER'S MANUAL / GEBRUIKERSHANDLEIDING / BETRIEBSANLEITUNG
MODE D'EMPLOI / MANUAL DE UTILIZACION / ISTRUZIONI PER L'USO

Soladin 600

Grid connected solar inverter / Netgekoppelde omvormer voor zonne-energie
Netzgekoppelter Solar-Wechselrichter / Convertisseur solaire relié au réseau électrique
Inversor solar de conexión a red / Invertitore solare con collegamento alla rete

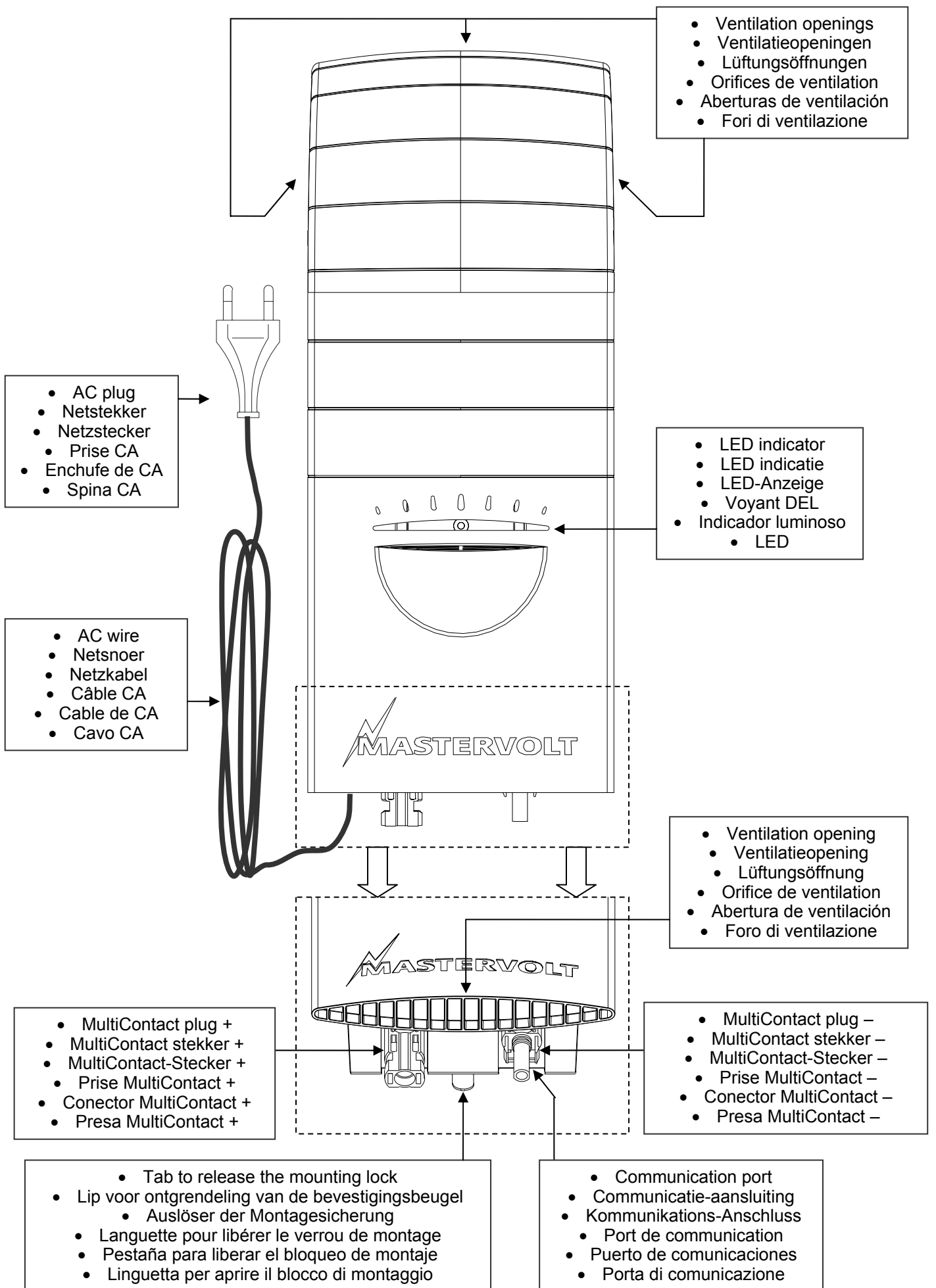


MASTERVOLT
Snijdersbergweg 93, 1105 AN Amsterdam
The Netherlands
Tel.: +31-20-342 21 00
Fax: +31-20-697 10 06
www.mastervolt.com



v 2.3 January 2006

SOLADIN 600



English	<ul style="list-style-type: none">• Installation• Users manual	Page 4-5 Page 6-9
Nederlands	<ul style="list-style-type: none">• Installatie• Gebruikershandleiding	Pagina 4-5 Pagina 10-13
Deutsch	<ul style="list-style-type: none">• Installation• Betriebsanleitung	Seite 4-5 Seite 14-17
Français	<ul style="list-style-type: none">• Installation• Mode d'emploi	Page 4-5 Page 18-21
Español	<ul style="list-style-type: none">• Instalación• Manual de utilización	Página 4-5 Página 22-25
Italiano	<ul style="list-style-type: none">• Installazione• Istruzioni per l'uso	Pagina 4-5 Pagina 26-29
Specifications		Page 30
Dimensions		Page 31
CE declaration of conformity		Page 32

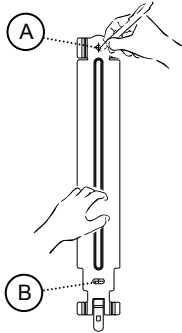
INSTALLATION – INSTALLATIE – INSTALACIÓN – INSTALLAZIONE

1



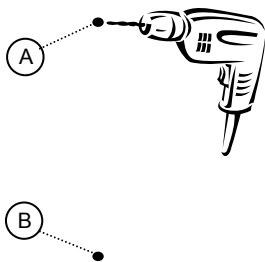
- Read instructions on page 6 -9 prior to installation.
- Lees vóór installatie eerst de instructies op pagina 10 t/m 13.
- Lesen Sie vor der Installation zunächst die Anweisungen auf Seite 14 – 17.
- Lire les instructions page 18-21 avant installation.
- Lea las instrucciones en la página 22-25 antes de proceder a la instalación.
- Prima dell'installazione, leggere le istruzioni a pagina 26-29.

2



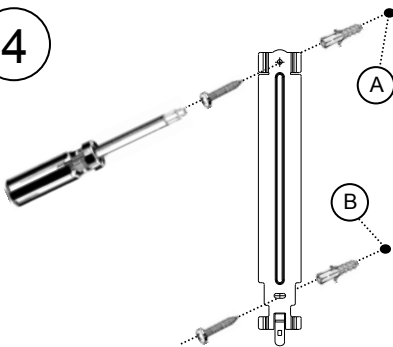
- Mark the position of the two mounting spots A and B by using the mounting bracket
- Markeer de plaats van de twee montagegaten A en B met behulp van de montagebeugel.
- Markieren Sie die Position der beiden Montagestellen A und B mit Hilfe des Montagebügels
- Déterminer la position des deux points de montage A et B à l'aide du crochet de montage
- Marque la posición de los dos puntos de montaje A y B utilizando el soporte
- Indicare la posizione dei due punti di riferimento A e B usando il supporto di montaggio

3



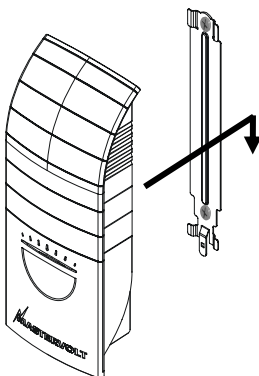
- If necessary, drill mounting holes at spots A and B
- Boor, indien nodig, gaten op de posities A en B
- Bohren Sie, falls erforderlich, Montagelöcher an den Positionen A und B
- Si nécessaire, percer des trous de montage aux points A et B
- Si fuera necesario, taladre orificios de montaje en los puntos A y B
- Se necessario, eseguire dei fori per il montaggio sui punti A e B

4



- Fix the mounting bracket to the wall
- Monteer de montagebeugel op de wand
- Befestigen Sie den Montagebügel an der Wand
- Fixer le crochet de montage au mur
- Fije el soporte a la pared
- Fissare il supporto alla parete

5



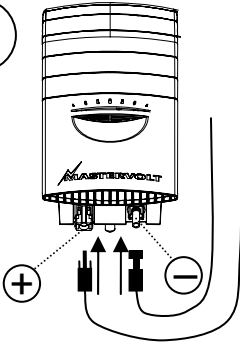
- Place the Soladin 600 over the mounting bracket and then move it downwards until it is locked by the mounting bracket
- Positioneer de Soladin 600 iets boven de montagebeugel en laat hem vervolgens zakken totdat de Soladin vast klikt in de montagebeugel.
- Platzieren Sie den Soladin 600 über dem Montagebügel und schieben Sie ihn dann nach unten, bis er im Montagebügel einrastet.
- Positionner le Soladin 600 sur le crochet de montage, puis le faire glisser vers le bas jusqu'à ce qu'il soit bien emboîté sur le crochet de montage.
- Coloque el Soladin 600 sobre el soporte y muévelo hacia abajo hasta que quede bloqueado por él
- Collocare l'apparecchio Soladin 600 sopra il supporto, quindi sposterlo verso il basso finché non viene bloccato sul supporto di montaggio

INSTALLATION – INSTALLATIE – INSTALACIÓN – INSTALLAZIONE

6

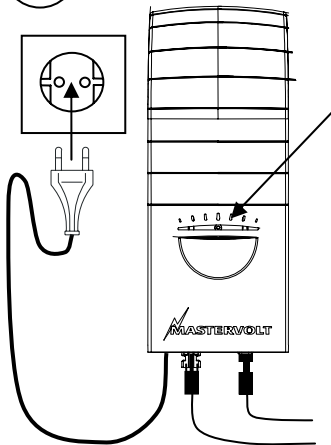
- Check whether the Soladin 600 is mounted in a secure way.
- Controleer of de Soladin 600 stevig gemonteerd is.
- Kontrollieren Sie, ob der Soladin 600 sicher montiert ist.
- Vérifier que le Soladin 600 est installé de façon sécurisée.
- Compruebe si el Soladin 600 está montado de un modo seguro.
- Controllare che Soladin 600 sia montato in maniera sicura.

7



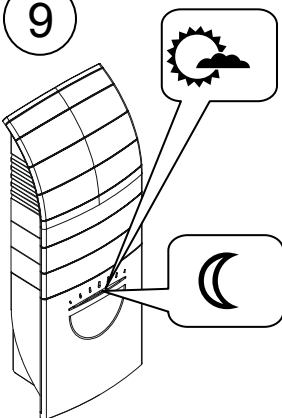
- Connect the string cabling to the Soladin 600. If solar irradiation is sufficient, the LED indicator will illuminate red.
- Sluit de bedrading van de PV-string aan op de Soladin 600. Bij voldoende zoninstraling zal de LED-indicatie rood oplichten
- Schließen Sie die String-Kabel an den Soladin 600 an. Wenn die Sonneneinstrahlung ausreichend ist, leuchtet die LED-Anzeige rot auf.
- Connecter les câbles de connexion des chaînes au Soladin 600. Si la radiation solaire est suffisante, le voyant DEL s'éclairera en rouge.
- Conecte el cableado de la cadena al Soladin 600. Si la irradiación solar es suficiente, el indicador luminoso se iluminará de color rojo.
- Collegare i cavi al Soladin 600. Se l'irradiazione solare incidente è sufficiente, il LED si illumina di rosso.

8



- Insert the AC plug into the wall socket. If solar irradiation is sufficient, the LED-indicator starts blinking red: the Soladin 600 is starting up. This may last a few seconds up to 5 minutes
- Steek de netstekker in het stopcontact. Bij voldoende zoninstraling gaat de LED-indicatie rood knipperen: the Soladin 600 start op. Dit kan enkele seconden tot maximaal 5 minuten duren
- Stecken Sie den Netzstecker in die Wand-Steckdose. Wenn die Sonneneinstrahlung ausreichend ist, blinkt die LED-Anzeige rot: der Soladin 600 startet. Dies kann einige Sekunden bis maximal 5 Minuten dauern.
- Insérer la prise CA dans la prise murale. Si la radiation solaire est suffisante, le voyant DEL commencera à clignoter en rouge : le Soladin 600 se met en marche. La mise en marche de l'appareil peut durer jusqu'à 5 minutes.
- Conecte el enchufe de CA en la toma de corriente. Si la irradiación solar es suficiente, el indicador luminoso empezará a parpadear en rojo: el Soladin 600 se está poniendo en marcha. Esto puede durar desde unos pocos segundos hasta 5 minutos
- Inserire la spina CA alla presa a muro. Se l'irradiazione solare incidente è sufficiente, il LED inizia a lampeggiare in rosso: il Soladin 600 si accende. Questo processo potrebbe durare da qualche secondo ad un massimo di 5 minuti

9



- After starting up, the LED-indicator starts blinking yellow.
 - Na het opstarten gaat de LED-indicatie geel knipperen.
 - Nach der Inbetriebnahme blinkt die LED-Anzeige gelb.
 - Après mise en marche, le voyant DEL commence à clignoter en jaune.
 - Tras la puesta en marcha, el indicador luminoso empieza a parpadear en amarilla.
 - Una volta acceso, il LED inizia a lampeggiare in gialla.
-
- If solar irradiation is too low (at night), the indicator will extinguish
 - Bij onvoldoende zoninstraling (bijvoorbeeld 's nachts) gaat de LED-indicatie uit.
 - Wenn die Sonneneinstrahlung zu niedrig ist (bei Nacht), geht die LED-Anzeige aus.
 - Si la radiation solaire est trop faible (de nuit), le voyant s'éteindra.
 - Si la irradiación solar es demasiado baja (por la noche), el indicador se apagará
 - Se l'irradiazione solare incidente è troppo bassa (di notte), la spia scompare

Product description and application

Congratulations for choosing the Mastervolt Soladin 600. The Soladin 600, further mentioned as "Soladin", is a grid connected solar inverter, used for the conversion and feed back into the utility grid of the power generated by photovoltaic modules.

The Soladin is equipped with extensive safety measures to ensure that it switches off immediately as soon as the AC plug is removed from the wall socket or the public grid fails in operation

The Soladin is only suitable for the feed back of solar power into the public grid, not as a stand-alone inverter.

Unpacking

The delivery consists of the following parts:

- The Soladin with mounting bracket
- This user's manual

After unpacking, check the Soladin for possible damage. Do not use the Soladin if it is damaged. If in doubt, contact your supplier.



Safety

- Install the Soladin according to the instructions stated in this manual.
- Be sure that the Soladin is disconnected from the grid during installation. This can be done by removing the AC-plug from the wall socket.
- Connections and safety features must be executed according to the locally applicable regulations
- The Soladin must be used in accordance with the specifications as stated on page 30
- Never open the housing as high voltages may be present inside!

PV modules and strings

A solar system consists of several photovoltaic (solar) modules, further mentioned as "PV modules". The PV-modules are connected in series to form a so called "string". These strings consist of a positive (+) and a negative (-) connection which can be connected directly to the Soladin. The voltages present on these strings are not safe to touch and cannot be switched off

Therefore the solar system should meet the following specifications:

- Maximum open circuit string voltage at lowest possible temperature of the PV modules: 155 VDC. See table 3 for typical configurations for the Soladin.
- Double isolated PV-wiring
- All cables of the string should have double isolation and must be fitted with pre-assembled MultiContact connectors (Ø4mm). Consult an installer for the availability of such cable assemblies. Do not assemble these yourself!
- Depending on local applicable regulations the use of additional DC switch may be mandatory

Contact an installer if the solar-system does not comply with the above mentioned stipulations. Due to possible high voltages installation and modification may only be carried out by a qualified electrician who is familiar applicable regulations and standards.

Things you need to install the Soladin

Make sure you have all the parts you need to install the Soladin:

- The Soladin (included)
- Two screws (with plugs) to mount the Soladin. Maximum diameter: 4.5 mm. Use mounting materials which are suitable to carry the weight of the Soladin.
- Tools to fix the screws / bolts with plugs into the wall (screwdriver, drilling machine, a set of drills, a pencil)

Choosing the location to install

Obey the following stipulations during installation:

- The Soladin is suited for indoor use only.
- Ambient temperature: -20 ... 50°C; (power derating above 40°C), Humidity: 0-90% non condensing
- Install the Soladin in the vicinity of a wall socket
- Do not install the Soladin in environments with heavy dust development or humidity.
- If the Soladin is installed in the immediate vicinity of living areas, take into account that it produces a slight noise level when operating.
- Mount the Soladin vertically on a solid, non-resonating, wall.
- Mount the Soladin in such a way that obstruction of the airflow through the ventilation openings is prevented
- No objects must be located within a distance of 20 cm around the Soladin.
- Multiple Soladins must be mounted next to each other, not above each other. Minimum spacing: 20 cm.

Directions for installation

The Soladin is equipped with a so called “anti-islanding safety device”. It ensures immediate switch off in case of grid failure. European countries maintain different regulations with regard to anti-islanding devices and the supply of energy back to the utility grid in general. Check from the part number on the type number plate whether the version of the Soladin is appropriate to be connected to the local utility grid. Refer to table 1. Never connect the Soladin to a utility grid which is not suitable for the use of the apparatus!

In the Netherlands only one Soladin may be connected to an existing electricity branch circuit which is fused with 16 Amp. In other countries different restrictions apply. Please acquaint yourself with the local regulations on this issue.

During installation you can check by means of the LED-indicator whether the installation is done properly. This check can only be carried out when sufficient irradiation is present. Installation should therefore be carried out during daytime only.

Although the Soladin is protected against wrong polarity, the positive (+) and negative (–) of the solar connections should not be exchanged.

Install the product according to the instructions stated on page 4 and 5.

Monitoring

The Soladin has a communication port that can be connected to the COM-port (RS232) of a PC or laptop. Use the optional “Mastervolt PC-link” interface and cable to set up a connection.

Part number	Description
130391030	PC-link Soladin 600, incl. communication cable, 2m

Part number	Description	Allowed to be used in:
130000600	Soladin 600 230V/50Hz QNS - EU	Europe, except Germany and the countries mentioned below
130000610	Soladin 600 230V/50Hz QNS - IT	Italy
130000620	Soladin 600 230V/50Hz QNS - ES	Spain
130000630	Soladin 600 230V/50Hz QNS - UK	England

Table 1

LED indicator

The operation mode of the Soladin is displayed by means of a LED indicator at the front side of the housing. In normal operation it flashes yellow: the longer the LED illuminates yellow, the more power is converted.

If the irradiation of the PV-modules is insufficient, for instance at night, the Soladin switches off automatically. When switched off, the LED indicator is off.

Failures

As long as the indication LED isn't illuminated red, no failure is detected: the Soladin is operating normally. If an error occurs, it is detected by the apparatus itself: the LED indicator turns red. See table 2.

Consult an installer, if you cannot solve the problem by means of the table below.



NOTE: during sunrise or sunset a low Solar voltage is detected by Soladin, indicated by a red blinking LED indicator. This is a normal situation

Indication of the LED	Meaning	What to do?
LED is off	Insufficient irradiation	Nothing. The Soladin operates normally, but irradiation of the PV modules is insufficient (for instance during night time)
LED is off	No power from the PV modules	Consult an installer if the LED indicator is off during daytime. The wiring between the PV modules and the Soladin might be defective. Check for loose connections or incorrect polarity.
• • • • • Yellow blinking	Normal operation	Nothing. The Soladin operates normally. The longer the LED illuminates yellow, the more power is converted.
— — — Slow blinking long red pulses	Reclosure time	Nothing. After the Soladin was (re)connected to the AC grid, it checks the quality of the AC grid before it starts operating normally. This may take up to 5 minutes.
— — — — — Fast blinking long red pulses	Restart time lag	Nothing. A system check is carried out during sunrise. This may take up to 15 seconds before the Soladin starts operating normally.
————— Uninterrupted red	No grid voltage	Plug the AC-plug of the Soladin into the wall socket; check the fuse in the meter cupboard.
• • • • • Red blinking 1 time	Solar voltage too low	Nothing; normal condition during sunrise and sunset. Consult an installer if the problem remains while irradiation of the PV modules is sufficient. Error in the PV installation. Are the specifications of the PV modules in accordance with the Soladin?
•• •• •• •• Red blinking 2 times	Solar voltage too high	Consult an installer. Error in the PV installation. Are the specifications of the PV modules in accordance with the Soladin?
••• ••• ••• Red blinking 3 times	AC grid voltage too high	Check the grid connection.
•••• •••• Red blinking 4 times	AC grid voltage too low	Check the grid connection.
••••• ••••• Red blinking 5 times	Grid frequency too high or too low	Check the grid connection.
•••••• Red blinking 6 times	Internal temperature too high	Air flow of the Soladin may not be obstructed. If the problem remains, switch off the Soladin by removing the AC-plug from the wall-socket and consult an installer.
••••••• Red blinking 7 times	NTC error	Consult an installer for repair of a defective safety device in the Soladin.

Table 2

Operation

After installation the Soladin will switch on automatically if solar irradiation is sufficient. The Soladin operates automatically: there is no need for adjustment or operation.

The Soladin has no ON/OFF switch; remove the AC socket from the AC-outlet to switch it off. Do not disconnect the MultiContact plugs during operation of the Soladin!

No specific maintenance is required. If necessary, use a soft clean cloth to clean the Soladin. Never use any liquids, acids and/or scourers.

Decommissioning

First remove the AC plug from the wall socket before you disconnect the MultiContact plugs.

Now the Soladin can be demounted in a safe way:

1. Push on the lower tab of the mounting bracket to release the mounting lock.
2. Lift the Soladin upwards for approximately 1 cm.
3. Move the Soladin straight from the wall

Guarantee terms

Mastervolt guarantees that this product was built according to the legally applicable standards and stipulations. During production and before delivery all products are exhaustively tested and controlled. If you fail to act in accordance with the regulations, instructions and stipulations in this user's manual, damage can occur and/or the product will not fulfill the specifications. This may mean that the guarantee will become null and void.

The guarantee period is 5 years.

Liability

Mastervolt cannot be held liable for:

- Possible errors in this included manual and the consequences of these.
- Use that is inconsistent with the purpose of the product.

Summarized specifications Soladin 600 (refer to page 30 for extended specifications)

Maximum PV power:	700 Wp
MPP voltage:	45-125 V DC
Maximum input voltage U-oc @ -10°C:	155 V DC
Maximum MPP current:	8 A DC

PV module	Power	One string	Two strings in parallel**
36 cells U _{oc} = 28V* U _{mpp} = 18V*	75 Wp	4 - 6 in series	4 in series
	100 Wp	4 - 6 in series	--
	125 Wp	4 - 5 in series	--
	150 Wp	4 (5) in series	--
54 cells U _{oc} = 32V* U _{mpp} = 27V*	75 Wp	3 - 4 in series	3 - 4 in series
	100 Wp	3 - 4 in series	3 in series
	125 Wp	3 - 4 in series	--
	150 Wp	3 - 4 in series	--
	175 Wp	3 - 4 in series	--
72 cells U _{oc} = 43V* U _{mpp} = 36V*	75 Wp	2 - 3 in series	2 - 3 in series
	100 Wp	2 - 3 in series	2 - 3 in series
	125 Wp	2 - 3 in series	2 in series
	150 Wp	2 - 3 in series	2 in series
	175 Wp	2 - 3 in series	2 in series

* Approximate value; refer to the specifications of the manufacturer

** Configuration for one string is stated. Use MultiContact branch connectors to connect two strings in parallel. MultiContact part numbers: PV-AZS4 (positive) and PV-AZB4 (negative)

Table 3: Typical string configurations for the Soladin 600

Productbeschrijving en toepassing

Gefeliciteerd met uw keuze voor de Mastervolt Soladin 600. De Soladin 600, verder aangeduid als “Soladin”, is een netgekoppelde zonneomvormer waarmee elektrische zonne-energie, opgewekt door PV (photovoltaïsche) panelen, rechtstreeks aan het openbare elektriciteitsnet geleverd kan worden.

De Soladin is uitgerust met diverse beveiligingen die ervoor zorgen dat het apparaat onmiddellijk uitschakelt zodra de stekker uit het stopcontact wordt genomen of de netspanning uitvalt.

De Soladin is uitsluitend geschikt voor het leveren van in zonnepanelen opgewekte elektrische energie aan het elektriciteitsnet. Zelfstandig gebruik zonder het elektriciteitsnet is niet mogelijk.

Uitpakken

De levering omvat de volgende onderdelen:

- De Soladin met montagebeugel
- Deze gebruikershandleiding

Controleer na het uitpakken de Soladin op mogelijke beschadigingen. In geval van beschadigingen moet u de Soladin niet gebruiken. Raadpleeg bij twijfel altijd uw leverancier.



Veiligheid

- Installeer de Soladin met inachtneming van de instructies in deze gebruikershandleiding.
- Tijdens installatie van de Soladin moet deze altijd losgekoppeld zijn van het elektriciteitsnet. Dit doet u door de netstekker uit het stopcontact te halen.
- Aansluitingen en beveiligingen moeten in overeenstemming met de plaatselijk geldende voorschriften worden uitgevoerd.
- Gebruik de Soladin in overeenstemming met de specificaties zoals aangegeven op pagina 30.
- In verband met de aanwezige hoge spanningen mag u de behuizing nooit openen!

PV panelen en strings

Een zonne-energiesysteem bestaat uit meerdere fotovoltaïsche zonne-energiepanelen, verder aangeduid als “PV panelen”. Meerdere in serie geschakelde PV panelen vormen samen een z.g. string. Deze strings hebben een plus (+) en min (-) aansluiting, die rechtstreeks op de Soladin aangesloten kunnen worden.

De spanning op de bekabeling van deze strings is niet aanraakveilig en kan niet afgeschakeld worden. Daarom dient het zonne-energiesysteem aan de volgende specificaties te voldoen:

- Maximale open klemspanning bij de laagst mogelijke temperatuur van de PV-panelen: 155 VDC. Zie tabel 3 voor mogelijke samenstellingen van PV panelen voor de Soladin.
- Dubbel geïsoleerde PV bedrading
- Alle bedrading van de string dient te bestaan uit kant-en-klare dubbelgeïsoleerde kabels die reeds voorzien zijn van MultiContact connectors (Ø4mm). Raadpleeg een installateur voor de levering van dergelijke kabels. Assembleer deze kabels niet zelf!
- Afhankelijk van de plaatselijk geldende voorschriften kan het gebruik van een separate DC schakelaar verplicht zijn.

Raadpleeg een installateur indien het zonne-energiesysteem niet aan de hierboven aangegeven voorwaarden voldoet. In verband met de aanwezigheid van hoge spanningen mogen installatiewerkzaamheden uitsluitend worden uitgevoerd door een daartoe gekwalificeerde elektricien, die bekend is met de van toepassing zijnde voorschriften en standaarden.

Benodigheden voor installatie van de Soladin

Dit heeft u nodig voor de installatie van de Soladin:

- De Soladin (meegeleverd)
- Twee schroeven (met pluggen) om de Soladin te monteren. Maximale diameter: 4,5 mm. Gebruik montage materialen die geschikt zijn voor het gewicht van de Soladin.
- Gereedschappen om de schroeven en pluggen in de wand te bevestigen (schroevendraaier, boormachine, boortjes, een potlood)

Bepaal de plaats om de Soladin te installeren

Let hierbij op de volgende punten:

- De Soladin is uitsluitend geschikt voor gebruik binnenshuis.
- Omgevingstemperatuur: -20 ... 50°C; (bij temperaturen hoger dan 40°C wordt het vermogen gereduceerd). Luchtvochtigheid: 0-90% niet condenserend.
- Installeer de Soladin in de nabijheid van een stopcontact.
- Installeer de Soladin niet in een zeer stoffige of vochtige omgeving.
- Bij installatie in de woning moet rekening worden gehouden met een geringe geluidsproductie tijdens de werking van het apparaat.
- De Soladin dient verticaal te worden gemonteerd op een stevige, niet-resonerende wand.
- Het apparaat dient zodanig gemonteerd te worden dat de luchtstroom door de ventilatieopeningen niet belemmerd wordt
- Rondom de Soladin moet een vrije ruimte van minimaal 20 cm. worden aangehouden
- Bij installatie van meerdere Soladins moeten deze naast elkaar gemonteerd worden, niet boven elkaar. Minimale onderlinge afstand: 20 cm.

Richtlijnen voor installatie

De Soladin is uitgerust met een beveiliging tegen eilandbedrijf. Deze beveiliging schakelt de uitgangsspanning van de omvormer onmiddellijk af zodra de netspanning wegvalt. Europese landen hanteren verschillende eisen ten aanzien van eilandbeveiliging en teruglevering aan het elektriciteitsnet in het algemeen

Controleer aan de hand van het artikelnummer op de typenummerplaat of de versie van Soladin geschikt is voor installatie op het plaatselijke elektriciteitsnet. Zie tabel 1.

Sluit de Soladin nooit aan op een elektriciteitsnet waarvoor het apparaat niet toegestaan is!

In Nederland mag per bestaande elektriciteitsgroep, afgezekerd met een 16 Ampère zekering, maximaal één Soladin worden aangesloten. In andere landen zijn afwijkende voorschriften van toepassing. Raadpleeg hierover de plaatselijk geldende bepalingen.

U kunt aan de hand van de LED-indicatie controleren of u de installatie juist heeft uitgevoerd. Deze controle kan alleen worden uitgevoerd indien er enige zonne-instraling is. Voer de installatie daarom ook uitsluitend overdag uit.

Hoewel de Soladin tegen ompoling beveiligd is, mogen de plus (+) en min (-) aansluiting van de string niet verwisseld worden.

Installeer de Soladin zoals aangegeven in de instructies op pagina 4 en 5.

Monitoring

De Soladin beschikt over een communicatie-uitgang die u kunt aansluiten op de COM-port (RS232) van een PC of laptop. Maak gebruik van de optionele "Mastervolt PC-link" interface en kabel om deze verbinding tot stand te brengen.

Artikelnummer	Omschrijving
130391030	PC-link Soladin 600, incl. communicatiekabel, 2m

Artikel nummer	Omschrijving	Toegestaan voor gebruik in:
130000600	Soladin 600 230V/50Hz QNS - EU	Europa, met uitzondering van Duitsland en de hieronder genoemde landen:
130000610	Soladin 600 230V/50Hz QNS - IT	Italië
130000620	Soladin 600 230V/50Hz QNS - ES	Spanje
130000630	Soladin 600 230V/50Hz QNS - UK	Engeland

Tabel 1

LED indicatie

De werking van de Soladin wordt weergegeven door middel van een LED indicatie aan de voorzijde van het apparaat. In normaal bedrijf knippert deze indicatie geel: hoe langer de indicatie geel brandt, hoe meer vermogen omgezet wordt.

Bij onvoldoende lichtinval van de zonnepanelen, bijvoorbeeld 's nachts, schakelt de Soladin automatisch uit. De LED-indicatie is dan ook uit.

Storingen

Zolang de LED-indicatie niet rood oplicht is er geen sprake van een storing en werkt de Sunmaster normaal.

Eventuele storingen worden door het apparaat zelf gesignaleerd: de LED-indicatie licht rood op. Zie tabel 2 voor de betekenis.

Raadpleeg een installateur indien u de storing niet aan de hand van onderstaande tabel kunt verhelpen.



OPMERKING: tijdens zonsopkomst en zonsondergang detecteert de Sunmaster een (te) lage spanning. Dit wordt aangeduid door een rood knipperende LED-indicatie. Dit is een normale situatie.

LED-indicatie	Betekenis	Wat te doen?
LED is uit	Onvoldoende instraling ('s nachts)	Niets. De Soladin werkt normaal, maar krijgt onvoldoende energie uit de PV panelen (bijvoorbeeld 's nachts).
LED is uit	Geen vermogen van de PV panelen	Raadpleeg een installateur indien de LED overdag uit is. Mogelijk is de bedrading tussen de PV panelen en de Soladin defect. Controleer op losse verbindingen en incorrecte polariteit (+ en – verwisseld).
• • • • • Geel knipperend	Normaal bedrijf	Niets. De Soladin werkt normaal. Hoe langer de indicatie geel brandt, hoe meer vermogen omgezet wordt.
— — — Lang rood knipperend	Controle van de netspanning	Niets. Nadat de Soladin (weer) is aangesloten op het elektriciteitsnet voert deze enkele testen uit. Dit kan maximaal 5 minuten duren. Daarna wordt de Soladin ingeschakeld en gaat normaal werken.
— — — — — Snel rood knipperend, lang pulsen	Opstarten	Niets. Er wordt een systeemcontrole uitgevoerd tijdens zonsopkomst. Dit duurt maximaal 15 sec. voordat de Soladin zichzelf inschakelt.
————— Constant rood	Geen netspanning	Steek de netstekker van de Soladin in het stopcontact. Controleer de zekering in de meterkast.
• • • • • 1x rood knipperend	Spanning van de PV panelen te laag	Normale situatie tijdens zonsopkomst en zonsondergang. Roep de hulp in van een installateur wanneer dit probleem zich voordoet bij voldoende instraling van de PV-panelen. Fout in het zonne-energiesysteem. Zijn de specificaties van de PV panelen / string in overeenstemming met de Soladin?
•• •• •• •• 2x rood knipperend	Spanning van de PV panelen te hoog	Raadpleeg een installateur. Fout in het zonne-energiesysteem. Zijn de specificaties van de PV panelen / string in overeenstemming met de Soladin?
••• ••• ••• 3x rood knipperend	Netspanning te hoog	Controleer de netaansluiting.
•••• •••• 4x rood knipperend	Netspanning te laag	Controleer de netaansluiting.
••••• ••••• 5x rood knipperend	Netfrequentie te hoog of te laag	Controleer de netaansluiting.
•••••• 6x rood knipperend	Interne temperatuur te hoog	Luchtstroom door de Soladin mag niet geblokkeerd worden. Als het probleem blijft aanhouden, haal dan de netstekker uit het stopcontact en roep de hulp in van een installateur.
••••••• 7x rood knipperend	NTC fout	Roep de hulp van een installateur in voor reparatie van een defect onderdeel in het veiligheidscircuit van de Soladin.

Tabel 2

Bediening

Na het installeren zal de Soladin bij voldoende zoninstraling inschakelen. De Soladin werkt geheel automatisch; instellingen en bediening zijn daardoor niet nodig.

De Soladin heeft geen aan/uit-schakelaar. Om de Soladin uit te schakelen neemt u de netstekker uit het stopcontact. Maak tijdens bedrijf van de Soladin nooit de MultiContact connectoren los!

De Soladin is een onderhoudsvrij product. Gebruik eventueel een zachte droge doek om de Soladin schoon te maken. Gebruik nooit vloeibare, bijtende of schurende middelen om de Soladin schoon te maken.

Buiten bedrijf stellen

De Soladin kan alleen veilig buiten bedrijf worden gesteld indien er geen vermogen wordt omgezet. Neem daarom eerst de neststekker uit het stopcontact alvorens de MultiContact stekkers los te nemen. Pas dan kunt u de Soladin op veilige wijze demonteren:

1. Druk op de lip voor ontgrendeling van de bevestigingsbeugel.
2. Schuif de Soladin ongeveer 1 cm. omhoog.
3. Verwijder de Soladin van de muur.

Garantie bepalingen

Mastervolt garandeert dat dit product is geproduceerd volgens de wettelijk van toepassing zijnde normen en bepalingen. Gedurende de productie en voor aflevering zijn alle producten uitvoerig getest en gecontroleerd. Wanneer niet volgens de in deze handleiding gegeven voorschriften, aanwijzingen en bepalingen wordt gehandeld, kunnen beschadigingen ontstaan en/of het apparaat zal niet aan de specificaties voldoen. Een en ander kan inhouden dat de garantie komt te vervallen

De garantietermijn is vijf jaar.

Aansprakelijkheid

Mastervolt kan niet aansprakelijk worden gesteld voor:

- Eventuele fouten in bijbehorende handleiding en de gevolgen daarvan,
- Ander gebruik geldend als niet conform de bestemming van het product.

Verkorte specificaties Soladin 600 (zie pagina 30 voor uitgebreide specificaties)

Maximaal PV vermogen:	700 Wp
MPP spanningsbereik:	45-125 V DC
Maximale ingangsspanning U _{oc} bij -10°C:	155 V DC
Maximale MPP stroom:	8 A DC

PV paneel	Vermogen	1 string	2 strings parallel**
36 cells U _{oc} = 28V* U _{mpp} = 18V*	75 Wp	4 - 6 in serie	4 in serie
	100 Wp	4 - 6 in serie	--
	125 Wp	4 - 5 in serie	--
	150 Wp	4 (5) in serie	--
54 cells U _{oc} = 32V* U _{mpp} = 27V*	75 Wp	3 - 4 in serie	3 - 4 in serie
	100 Wp	3 - 4 in serie	3 in serie
	125 Wp	3 - 4 in serie	--
	150 Wp	3 - 4 in serie	--
	175 Wp	3 - 4 in serie	--
72 cells U _{oc} = 43V* U _{mpp} = 36V*	75 Wp	2 - 3 in serie	2 - 3 in serie
	100 Wp	2 - 3 in serie	2 - 3 in serie
	125 Wp	2 - 3 in serie	2 in serie
	150 Wp	2 - 3 in serie	2 in serie
	175 Wp	2 - 3 in serie	2 in serie

* Benadering van de werkelijke spanning; raadpleeg de specificaties van de producent

** Configuratie van 1 string is weergegeven. Met behulp van MultiContact koppelstukken kunt u twee strings parallel schakelen. MultiContact bestelnummers: PV-AZS4 (plus) en PV-AZB4 (minus)

Tabel 3: Typische configuraties van PV-strings voor de Soladin 600

Produktbeschreibung und Anwendung

Vielen Dank, dass Sie den Mastervolt Soladin 600 gewählt haben. Der Soladin 600, im weiteren Text als "Soladin" bezeichnet, ist ein netzgekoppelter Solar-Wechselrichter, der für die Umwandlung und Rückleitung des durch die Photovoltaik-Module erzeugten Stroms in das Versorgungsnetz verwendet wird.

Der Soladin ist mit weitreichenden Sicherheitsmerkmalen ausgestattet, um das sofortige Ausschalten sicherzustellen, sobald der Netzstecker aus der Wandsteckdose gezogen wird oder bei einem Ausfall des öffentlichen Netzes.

Der Soladin ist nur für die Rückleitung des Solarstroms in das öffentliche Netz geeignet, er kann nicht als selbständiger Wechselrichter eingesetzt werden.

Auspacken

Die Lieferung enthält die nachfolgenden Teile:

- den Soladin mit Montagebügel
- diese Betriebsanleitung

Prüfen Sie den Soladin nach dem Auspacken auf mögliche Schäden. Verwenden Sie den Soladin nicht, wenn er beschädigt ist. Wenn Sie Zweifel haben, fragen Sie Ihren Lieferanten.



Sicherheit

- Installieren Sie den Soladin entsprechend den Anweisungen in dieser Betriebsanleitung.
- Stellen Sie sicher, dass der Soladin während der Installation nicht an das Netz angeschlossen ist. Ziehen Sie dazu den Netzstecker aus der Wandsteckdose.
- Anschlüsse und Sicherheitsvorkehrungen müssen entsprechend den örtlich anwendbaren Vorschriften erfolgen.
- Der Soladin muss in Übereinstimmung mit den Spezifikationen auf Seite 30 eingesetzt werden.
- Öffnen Sie niemals das Gehäuse, da hohe Spannungen vorhanden sein können!

PV-Module und Strings

Ein Solarsystem besteht aus mehreren Photovoltaik-(Solar-)Modulen, die im weiteren Text als "PV-Module" bezeichnet werden. Die PV-Module sind in Reihe geschaltet, um einen so genannten "String" zu bilden. Diese Strings bestehen aus einem Plus- (+) und einem Minus- (-) Anschluss, die direkt an den Soladin angeschlossen werden können. Die an diesen Strings vorhandenen Spannungen sind nicht berührungssicher und können nicht abgeschaltet werden. Deshalb muss das Solarsystem den folgenden Spezifikationen entsprechen:

- Maximale Leerlaufspannung des Strings bei der niedrigsten möglichen Temperatur der PV-Module: 155 VDC. Siehe Tabelle 3 für typische Konfigurationen des Soladin.
- Doppelt isolierte PV-Verkabelung
- Alle Kabel des Strings sollten doppelt isoliert sein und müssen mit vormontierten MultiContact-Steckern (Ø4mm) versehen sein. Nehmen Sie Kontakt mit einem Fachmann zwecks Verfügbarkeit solcher Kabel-Baugruppen auf. Montieren Sie diese nicht selbst!
- Je nach den örtlich anwendbaren Vorschriften kann die Verwendung eines zusätzlichen Gleichstromschalters obligatorisch sein.

Nehmen Sie Kontakt mit einem Fachmann auf, wenn das Solarsystem nicht den vorstehend aufgeführten Vorschriften entspricht. Aufgrund möglicher hoher Spannungen darf eine Installation und Modifizierung nur durch einen qualifizierten Elektriker ausgeführt werden, der mit den anwendbaren Vorschriften und Standards vertraut ist.

Sie benötigen die nachfolgenden Teile

Stellen Sie sicher, dass Sie alle für die Installation des Soladin erforderlichen Teile haben:

- Soladin (enthalten)
- zwei Schrauben (mit Dübeln) zur Montage des Soladin. Maximaler Durchmesser: 4,5 mm. Verwenden Sie Montagematerialien, die für das Gewicht des Soladin geeignet sind.
- Werkzeuge zur Befestigung der Schrauben / Bolzen mit den Dübeln in der Wand (Schraubenzieher, Bohrmaschine, ein Satz Bohrer, ein Bleistift).

Auswahl des Installationsortes

Beachten Sie während der Installation die folgenden Bedingungen:

- Der Soladin ist nur für eine Verwendung in Innenräumen geeignet.
- Umgebungstemperatur: -20 ... 50°C; (Leistungsverlust oberhalb von 40°C), Luftfeuchtigkeit: 0-90% nicht kondensierend
- Installieren Sie den Soladin in der Nähe einer Wandsteckdose.
- Installieren Sie den Soladin nicht in einer Umgebung mit hoher Staubentwicklung oder hoher Luftfeuchtigkeit.
- Wenn der Soladin in unmittelbarer Nähe von Wohnbereichen installiert wird, beachten Sie, dass er bei dem Betrieb einen leichten Geräuschpegel erzeugt.
- Montieren Sie den Soladin vertikal an einer festen, nicht schwingenden Wand.
- Montieren Sie den Soladin so, dass keine Behinderung des Luftstroms durch die Lüftungsöffnungen erfolgt.
- Es dürfen sich in einem Abstand von 20 cm um den Soladin herum keine Gegenstände befinden.
- Mehrere Soladin-Geräte müssen nebeneinander, nicht übereinander montiert werden. Mindestabstand: 20 cm.

Installationsanweisungen

Der Soladin ist mit einer so genannten "Sicherheitsvorrichtung zur Vermeidung von Inselbildung" ausgestattet. Diese stellt das sofortige Abschalten bei einem Netzausfall sicher. In den europäischen Ländern gibt es unterschiedliche Vorschriften für Geräte zur Vermeidung von

Inselbildung und Energierückspeisung in das Versorgungsnetz. Prüfen Sie anhand der Teilenummer auf dem Typenschild, ob die Soladin-Version für den Anschluss an das örtliche Versorgungsnetz geeignet ist. Siehe Tabelle 1. Schließen Sie den Soladin nie an ein Versorgungsnetz an, das für die Verwendung des Gerätes nicht geeignet ist!

In den Niederlanden darf nur ein Soladin an einen vorhandenen Abzweig-Stromkreis angeschlossen werden, der mit 16 Ampere abgesichert ist. In anderen Ländern treffen andere Beschränkungen zu. Bitte beachten Sie diesbezüglich die örtlichen Vorschriften.

Sie können während der Installation mittels der LED-Anzeige kontrollieren, ob die Installation ordnungsgemäß durchgeführt wurde. Diese Kontrolle kann nur bei ausreichender Sonneneinstrahlung erfolgen. Deshalb sollte die Installation nur während des Tages durchgeführt werden.

Obwohl der Soladin gegen Umpolung geschützt ist, sollten Plus (+) und Minus (-) der Solaranschlüsse nicht vertauscht werden.

Installieren Sie das Gerät entsprechend den Anweisungen auf Seite 4 und 5.

Überwachung

Der Soladin verfügt über einen Kommunikationsanschluss, der an den COM-Anschluss (RS232) eines PCs oder Laptops angeschlossen werden kann. Verwenden Sie die Schnittstelle und das Kabel der optionalen "Mastervolt PC-Verbindung, um einen Anschluss herzustellen

Teilenummer	Beschreibung
130391030	PC-Verbindung Soladin 600, incl. Fernmeldekabel, 2m

Teile-nummer	Beschreibung	Zulässige Verwendung in den folgenden Ländern:
130000600	Soladin 600 230V/50Hz QNS - EU	Europa, mit Ausnahme von Deutschland und den nachstehend aufgeführten Ländern
130000610	Soladin 600 230V/50Hz QNS - IT	Italien
130000620	Soladin 600 230V/50Hz QNS - ES	Spanien
130000630	Soladin 600 230V/50Hz QNS - UK	England

Tabelle 1

LED-Anzeige

Der Betriebsmodus des Soladin wird durch eine LED-Anzeige auf der Vorderseite des Gehäuses angezeigt. Bei normalem Betrieb blinkt diese gelb: je länger die LED gelb leuchtet, umso mehr Strom wird umgewandelt.

Wenn die Einstrahlung der PV-Module unzureichend ist, beispielsweise bei Nacht, schaltet der Soladin automatisch ab. Wenn er abgeschaltet ist, ist die LED-Anzeige aus.

Fehler

Solange die LED-Anzeige nicht rot leuchtet, wird kein Fehler festgestellt: der Soladin arbeitet normal. Wenn ein Fehler auftritt, wird dieser von dem Gerät selbst festgestellt: die LED-Anzeige leuchtet rot. Siehe Tabelle 2.

Nehmen Sie Kontakt mit einem Fachmann auf, wenn Sie das Problem nicht mittels der nachstehenden Tabelle selbst beheben können.



ANMERKUNG: Bei Sonnenaufgang oder Sonnenuntergang wird eine niedrige Solarspannung vom Soladin ermittelt und durch ein rotes Blinken der LED-Anzeige angezeigt. Dies ist eine normale Situation.

Anzeige der LED	Bedeutung	Was ist zu tun?
LED ist aus	Unzureichende Einstrahlung	Nichts. Normaler Betrieb des Soladin, aber die Sonneneinstrahlung auf den PV-Modulen ist unzureichend (beispielsweise bei Nacht).
LED ist aus	Kein Strom von den PV-Modulen	Konsultieren Sie einen Fachmann, wenn die LED-Anzeige während des Tages aus ist. Möglicherweise sind die Kabel zwischen den PV-Modulen und dem Soladin defekt. Prüfen Sie auf lose Anschlüsse oder inkorrekte Polarität.
• • • • • Gelbes Blinken	Normaler Betrieb	Nichts. Normaler Betrieb des Soladin. Je schneller die Anzeige blinkt, umso mehr Strom wird umgewandelt.
— — — Langsames Blinken lange rote Impulse	Wiedereinschalt-Zeit	Nichts. Wenn der Soladin an das AC-Netz (wieder) angeschlossen wird, kontrolliert er die Qualität des AC-Netzes bevor er mit dem normalen Betrieb beginnt. Dies kann bis zu 5 Minuten dauern.
— — — — — Schnelles Blinken lange rote Impulse	Neustart Zeitverzögerung	Nichts. Es wird bei Sonnenaufgang eine Systemprüfung durchgeführt. Es kann bis zu 15 Sekunden dauern, bevor der Soladin wieder den normalen Betrieb aufnimmt.
————— Ununterbrochen rot	Keine Netzspannung	Stecken Sie den Netzstecker des Soladin in die Wandsteckdose; prüfen Sie die Sicherung im Zählerschrank.
• • • • • Rotes Blinken 1 Mal	Solarspannung zu niedrig	Normaler Zustand bei Sonnenaufgang und Sonnenuntergang. Fragen Sie einen Fachmann, wenn das Problem weiter besteht, obwohl die Sonneneinstrahlung auf die PV-Module ausreichend ist. Fehler in der PV-Installation. Entsprechen die Spezifikationen der PV-Module dem Soladin?
•• •• •• •• Rotes Blinken 2 Mal	Solarspannung zu hoch	Fragen Sie einen Fachmann. Fehler in der PV-Installation. Entsprechen die Spezifikationen der PV-Module dem Soladin?
••• ••• ••• Rotes Blinken 3 Mal	AC-Netzspannung zu hoch	Prüfen Sie den Netzanschluss.
•••• •••• Rotes Blinken 4 Mal	AC-Netzspannung zu niedrig	Prüfen Sie den Netzanschluss.
••••• ••••• Rotes Blinken 5 Mal	Netzfrequenz zu hoch oder zu niedrig	Prüfen Sie den Netzanschluss.
•••••• Rotes Blinken 6 Mal	Innentemperatur zu hoch	Die Belüftung des Soladin darf nicht behindert werden. Wenn das Problem weiter besteht, schalten Sie den Soladin aus, indem Sie den Netzstecker aus der Wandsteckdose ziehen und konsultieren Sie einen Fachmann.
••••••• Rotes Blinken 7 Mal	NTC Fehler	Beauftragen Sie einen Fachmann mit der Reparatur eines defekten Sicherheitsteils im Soladin.

Tabelle 2

Betrieb

Nach der Installation schaltet sich der Soladin automatisch an, wenn die Sonneneinstrahlung ausreichend ist. Der Soladin arbeitet automatisch: eine Einstellung oder Bedienung sind nicht erforderlich.

Der Soladin hat keinen AN/AUS-Schalter; ziehen Sie den Netzstecker aus der Steckdose, um ihn auszuschalten. Entfernen Sie die MultiContact-Stecker nicht während des Betriebs des Soladin!

Eine spezifische Wartung ist nicht erforderlich. Wenn erforderlich, verwenden Sie ein weiches Tuch, um den Soladin zu reinigen. Verwenden Sie niemals Flüssigkeiten, Säuren oder Scheuermittel.

Außerbetriebnahme

Ziehen Sie zuerst den Netzstecker aus der Wandsteckdose, bevor Sie die MultiContact-Stecker entfernen.

Jetzt kann der Soladin sicher demontiert werden:

1. Drücken Sie auf die untere Sicherung des Montagebügels, um die Montagesperre zu lösen.
2. Heben Sie den Soladin ungefähr 1 cm an.
3. Nehmen Sie den Soladin gerade von der Wand.

Garantiebedingungen

Mastervolt garantiert, dass dieses Produkt entsprechend den rechtlich anwendbaren Standards und Vorschriften hergestellt wurde. Während der Herstellung und vor der Auslieferung werden alle Produkte umfassenden Tests und Kontrollen unterzogen. Wenn Sie nicht entsprechend den Vorschriften, Anweisungen und Bedingungen in dieser Betriebsanleitung vorgehen, kann dies zu Schäden führen oder das Produkt erfüllt die Spezifikationen nicht. Dies bedeutet, dass die Garantie ungültig werden kann.

Der Garantiezeitraum beträgt 5 Jahre.

Haftung

Mastervolt ist nicht haftbar für:

- mögliche Fehler in der enthaltenen Betriebsanleitung und deren Folgen.
- eine Verwendung, die nicht dem Zweck des Produkts entspricht.

Zusammenfassung der Spezifikationen des Soladin 600

(erweiterte Spezifikationen erhalten Sie auf Seite 30)

Maximaler PV-Strom:	700 Wp
MPP-Spannung:	45-125 V DC
Maximale Eingangsspannung U_{oc} @ -10°C:	155 V DC
Maximaler MPP-Strom:	8 A DC

PV-Module	Leistung	Ein String	Zwei Strings parallel geschaltet**
36 Zellen $U_{oc} = 28V^*$ $U_{mpp} = 18V^*$	75 Wp	4 - 6 in Reihe	4 in Reihe
	100 Wp	4 - 6 in Reihe	--
	125 Wp	4 - 5 in Reihe	--
	150 Wp	4 (5) in Reihe	--
54 Zellen $U_{oc} = 32V^*$ $U_{mpp} = 27V^*$	75 Wp	3 - 4 in Reihe	3 - 4 in Reihe
	100 Wp	3 - 4 in Reihe	3 in Reihe
	125 Wp	3 - 4 in Reihe	--
	150 Wp	3 - 4 in Reihe	--
	175 Wp	3 - 4 in Reihe	--
72 Zellen $U_{oc} = 43V^*$ $U_{mpp} = 36V^*$	75 Wp	2 - 3 in Reihe	2 - 3 in Reihe
	100 Wp	2 - 3 in Reihe	2 - 3 in Reihe
	125 Wp	2 - 3 in Reihe	2 in Reihe
	150 Wp	2 - 3 in Reihe	2 in Reihe
	175 Wp	2 - 3 in Reihe	2 in Reihe

* Ungefährer Wert; siehe Spezifikationen des Herstellers

** Die Konfiguration für einen String ist angegeben. Verwenden Sie MultiContact-Anschluss-Stecker für den Parallelanschluss von zwei Strings. MultiContact Teilenummern: PV-AZS4 (positiv) und PV-AZB4 (negativ)

Tabelle 3: Typische String-Konfiguration für den Soladin 600

Description de l'appareil et application

Nous vous félicitons d'avoir choisi le Soladin 600 Mastervolt. Le Soladin 600, mentionné ci-après en tant que "Soladin", est un convertisseur solaire relié au réseau électrique, utilisé pour la conversion et le renvoi au secteur de l'énergie générée par les modules photovoltaïques.

Le Soladin possède des caractéristiques de sécurité étendues permettant de s'assurer qu'il s'éteindra immédiatement dès que la prise CA sera retirée de la prise de courant murale ou que le réseau électrique sera coupé ou présentera des défaillances.

Le Soladin n'est pas un convertisseur autonome, il n'est conçu que pour le renvoi de l'énergie solaire au réseau électrique.

Déballage de l'appareil

La livraison comprend :

- Le Soladin avec crochet de montage
- Ce manuel utilisateur

Après déballage de l'appareil, vérifier que le Soladin n'a pas subi de dommages éventuels. S'il était endommagé, ne pas utiliser le Soladin. En cas de doute, contacter votre fournisseur.



Mesures de sécurité

- Installer le Soladin conformément aux directives spécifiées dans ce manuel.
- Pendant l'installation, assurez-vous que le Soladin n'est pas connecté au réseau électrique. Il suffit de retirer la prise CA de la prise de courant murale.
- Toutes les connexions et mesures de sécurité doivent être effectuées conformément aux dispositions réglementaires locales en vigueur.
- Le Soladin doit être utilisé conformément aux spécifications mentionnées page 30.
- Ne jamais ouvrir le boîtier, des tensions élevées pouvant être présentes à l'intérieur !

Modules photovoltaïques et chaînes

Un système solaire est composé de plusieurs modules photovoltaïques (solaires), mentionnés ci-après en tant que "modules PV". Ces modules PV sont connectés en série pour former ce qui est appelé une "chaîne". Ces chaînes se composent d'une connexion plus (+) et d'une connexion moins (-) qui peuvent être directement connectées au Soladin. Les tensions présentes sur ces chaînes ne sont pas sans danger pour l'utilisateur en cas de contact et ne peuvent être coupées.

Le système solaire doit donc répondre aux spécifications suivantes :

- Tension maximum des chaînes en circuit ouvert aux températures les plus basses possibles des modules PV : 155 VCC. Pour connaître les configurations types du Soladin, se référer au Tableau 3.
- Câblage PV à double isolation
- Toutes les câbles de la chaîne doivent être à double isolation et doivent être équipés de connecteurs MultiContact (Ø4mm) pré assemblés. Consulter un installateur pour connaître la disponibilité de tels câbles. Ne jamais les assembler vous-même !
- En fonction des dispositions réglementaires locales en vigueur, l'utilisation d'un interrupteur CC supplémentaire peut être exigé.

Si le système solaire n'est pas conforme aux conditions mentionnées ci-dessus, contacter un installateur. En raison de tensions élevées possibles, l'installation et les modifications éventuelles de l'appareil ne doivent être effectuées que par un électricien qualifié, ayant une connaissance approfondie des dispositions réglementaires et normes en vigueur.

Ce dont vous avez besoin pour installer le Soladin

Assurez-vous d'avoir toutes les pièces dont vous avez besoin pour installer le Soladin :

- Le Soladin (compris)
- Deux vis (avec chevilles) pour monter le Soladin. Diamètre maximum : 4,5 mm. Utiliser les pièces de montage adaptées pour supporter le poids du Soladin.
- Outils pour fixer les vis/boulons avec chevilles dans le mur (tournevis, perceuse, un jeu de mèches, un crayon).

Choix de l'emplacement pour installation

Pendant l'installation, suivre les directives suivantes :

- Le Soladin n'est conçu que pour une utilisation à l'intérieur.
- Température ambiante : de -20°C à +50°C ; (déclassement de puissance si la température excède 40°C), Humidité : 0-90%, non condensante.
- Installer le Soladin à proximité d'une prise murale.
- Ne pas installer le Soladin dans des endroits où il y a beaucoup de poussière ou dans des endroits humides.
- Si le Soladin est installé à proximité immédiate d'espaces habitables, tenez compte du fait qu'il produit un faible niveau sonore lorsqu'il fonctionne.
- Monter le Soladin verticalement sur un mur solide, sans résonance.
- Monter le Soladin de façon à ce qu'il n'obstrue pas la circulation d'air par les orifices de ventilation.
- Aucun objet ne doit être placé à moins de 20 cm du Soladin.
- Si vous installez plusieurs Soladins, ils doivent être installés l'un à côté de l'autre et non l'un au-dessus de l'autre. Espace minimum requis : 20 cm.

Directives d'installation

Le Soladin est équipé d'un dispositif de sécurité appelé "dispositif de protection contre l'îlotage". Ce dispositif permet de garantir que le Soladin s'éteint immédiatement en cas de défaillance du réseau

électrique. Les pays européens ont des dispositions réglementaires différentes en ce qui concerne les dispositifs "de protection contre l'îlotage" et l'alimentation en énergie vers le réseau, en général. Vérifier sur la référence située sur la plaque d'identification du Soladin, si la version du Soladin peut être connectée au réseau électrique local. Se référer au Tableau 1.

Ne jamais connecter le Soladin à un réseau électrique qui n'est pas adapté à l'utilisation de l'appareil !

Aux Pays-Bas, un seul Soladin peut être connecté à un circuit électrique terminal existant, dont l'ampérage est de 16A. Dans d'autres pays, différentes mesures de restriction sont appliquées. Renseignez-vous sur les dispositions réglementaires locales à ce sujet.

Pendant l'installation, vous pouvez vérifier à l'aide du voyant DEL si l'installation est effectuée correctement. Cette vérification ne peut avoir lieu que s'il y a de la radiation solaire. L'installation ne devrait donc être effectuée que pendant la journée.

Bien que le Soladin soit protégé contre une polarité incorrecte, le plus (+) et le moins (-) des connexions solaires ne doivent pas être inversés.

Installer l'appareil conformément aux directives mentionnées pages 4 et 5.

Contrôle

Le Soladin est équipé d'un port de communication qui peut être connecté au port de communication (RS232) d'un PC ou d'un ordinateur portable. Pour établir une connexion, utiliser l'interface optionnelle "Mastervolt PC-link" et le câble fourni.

Référence	Description
130391030	PC-link Soladin 600, câble de communication de 2 m inclus

Référence	Description	Utilisation autorisée en :
130000600	Soladin 600 230V/50Hz QNS - EU	Europe, à l'exception de l'Allemagne et des pays mentionnés ci-dessous
130000610	Soladin 600 230V/50Hz QNS - IT	Italie
130000620	Soladin 600 230V/50Hz QNS - ES	Espagne
130000630	Soladin 600 230V/50Hz QNS - UK	UK

Tableau 1

Voyant DEL

Le mode opérationnel du Soladin s'affiche au moyen d'un voyant DEL situé à l'avant du boîtier. Lorsque l'appareil fonctionne normalement, ce voyant clignote en jaune : plus le voyant DEL clignote en jaune, plus il y a d'énergie convertie.

Si la radiation des modules PV est insuffisante, de nuit, par exemple, le Soladin s'éteint automatiquement. Lorsqu'il est éteint, le voyant DEL est éteint.

Pannes

Si le voyant DEL ne clignote pas en rouge, cela signifie qu'aucune panne n'est détectée : le Soladin fonctionne normalement. Si une erreur se produit, elle est détectée par l'appareil : le voyant DEL devient rouge. Se référer au Tableau 2.

Si vous ne pouvez pas résoudre le problème à l'aide du tableau ci-dessous, consulter un installateur.



NOTE : au lever du jour ou au coucher du soleil, le Soladin détecte une tension solaire basse, celle-ci étant indiquée par un voyant DEL clignotant en rouge, ce qui est normal.

Indication voyant DEL	Signification	Que faire ?
DEL éteinte	radiation insuffisante	Rien. Le Soladin fonctionne normalement, mais la radiation des modules PV est insuffisante (de nuit, par exemple)
DEL éteinte	Pas d'énergie provenant des modules PV	Si le voyant DEL est éteint de jour, consulter un installateur. Il est probable que le câblage entre les modules PV et le Soladin soit défectueux. Vérifier si des connexions sont desserrées ou si la polarité est incorrecte.
• • • • • Clignote en jaune	Fonctionnement normal	Rien. Le Soladin fonctionne normalement. Plus le voyant clignote vite, plus il y a d'énergie convertie.
— — — Clignotement faible, longues impulsions en rouge	Temps de re fermeture	Rien. Après re(connexion) du Soladin au réseau CA, il vérifie la qualité du réseau CA avant de fonctionner à nouveau normalement. Cette vérification peut prendre jusqu'à 5 minutes.
— — — — — Clignotement rapide, longues impulsions en rouge	Délai de redémarrage	Rien. Une vérification du système est effectuée au lever du jour. Cette vérification peut durer jusqu'à 15 secondes avant que le Soladin commence à fonctionner normalement.
————— Rouge ininterrompu	Pas de tension réseau	Brancher la prise CA du Soladin dans la prise murale ; vérifier le fusible dans l'armoire du compteur.
• • • • • Clignotement en rouge 1 fois	Tension solaire trop basse	Conditions normales au lever du jour et au coucher du soleil. Si le problème persiste, alors que la radiation des modules PV est suffisante, consulter un installateur. Erreur dans l'installation des modules PV. Les spécifications des modules solaires sont-elles conformes au Soladin ?
• • • • • Clignotement en rouge 2 fois	Tension solaire trop élevée	Consulter un installateur. Erreur dans l'installation des modules PV. Les spécifications des modules PV sont-elles conformes au Soladin ?
• • • • • Clignotement en rouge 3 fois	Tension CA réseau trop élevée	Vérifier la connexion au réseau.
• • • • • Clignotement en rouge 4 fois	Tension CA réseau trop basse	Vérifier la connexion au réseau.
• • • • • Clignotement en rouge 5 fois	Fréquence réseau trop élevée ou trop basse	Vérifier la connexion au réseau.
• • • • • Clignotement en rouge 6 fois	Température interne trop élevée	La circulation d'air du Soladin ne doit pas être obstruée. Si le problème persiste, éteindre le Soladin en retirant la prise CA de la prise murale et consulter un installateur.
• • • • • Clignotement en rouge 7 fois	Erreur CTN	Consulter un installateur pour réparation d'un dispositif de sécurité défectueux du Soladin.

Tableau 2

Fonctionnement

Après installation, le Soladin s'allumera automatiquement si la radiation solaire est suffisante. Le Soladin fonctionne automatiquement : il n'est pas nécessaire de le régler ou de le déclencher.

Le Soladin n'est pas équipé d'un interrupteur ON/OFF ; retirer la prise CA de la sortie CA pour l'éteindre. Ne pas déconnecter les prises MultiContact lors du fonctionnement du Soladin !

Aucun entretien particulier n'est nécessaire. Si besoin est, utiliser un chiffon doux et propre pour le nettoyer. Ne jamais utiliser de liquides, d'acides et/ou de tampons à récurer.

Mise hors service

Avant de déconnecter les prises MultiContact, retirer en premier la prise CA de la prise murale.

Le Soladin peut à présent être démonté de façon sécurisée :

1. Pousser sur la languette inférieure du crochet de montage pour dégager le verrou de montage.
2. Soulever le Soladin vers le haut à environ 1 cm.
3. Dégager le Soladin du mur.

Conditions de garantie

Mastervolt garantit que l'appareil a été fabriqué conformément aux normes et dispositions légales en vigueur. Au cours de leur fabrication et avant leur livraison, tous nos produits sont rigoureusement testés et contrôlés. Si vous ne vous conformez pas aux dispositions, directives et conditions du présent manuel utilisateur, l'appareil pourrait être endommagé et/ou ne pas répondre à ses spécifications, ce qui annulerait la garantie.

La durée de la garantie est de cinq ans.

Responsabilité

Mastervolt ne peut être tenu pour responsable :

- D'erreurs éventuelles contenues dans ce manuel et des conséquences pouvant en résulter.
- D'une utilisation non conforme à l'utilisation première du produit.

Spécifications résumées du Soladin 600 (pour spécifications détaillées, se référer à la page 30)

Puissance PV maximum :	700 W de capacité maximale
Tension MPP :	45-125 V CC
Tension d'entrée maximum U-oc @ -10°C :	155 V CC
Courant MPP maximum :	8 A CC

Module PV	Puissance	Une chaîne	Deux chaînes en parallèle**
36 cellules U _{oc} = 28V* U _{mpp} = 18V*	75 Wp	4 - 6 en série	4 en série
	100 Wp	4 - 6 en série	--
	125 Wp	4 - 5 en série	--
	150 Wp	4 (5) en série	--
54 cellules U _{oc} = 32V* U _{mpp} = 27V*	75 Wp	3 - 4 en série	3 - 4 en série
	100 Wp	3 - 4 en série	3 en série
	125 Wp	3 - 4 en série	--
	150 Wp	3 - 4 en série	--
	175 Wp	3 - 4 en série	--
72 cellules U _{oc} = 43V* U _{mpp} = 36V*	75 Wp	2 - 3 en série	2 - 3 en série
	100 Wp	2 - 3 en série	2 - 3 en série
	125 Wp	2 - 3 en série	2 en série
	150 Wp	2 - 3 en série	2 en série
	175 Wp	2 - 3 en série	2 en série

* Valeur approximative ; se référer aux spécifications du fabricant.

** Configuration pour une chaîne. Pour connecter deux chaînes en parallèle, utiliser les connecteurs à branches MultiContact. Références MultiContact : PV-AZS4 (positif) et PV-AZB4 (négatif).

Tableau 3 : Configurations de chaînes types pour Soladin 600

Descripción del producto y aplicaciones

Felicidades por elegir el Soladin 600 de Mastervolt. El Soladin 600, al cual nos referiremos en adelante como “Soladin”, es un inversor solar de conexión a red que se utiliza para la conversión y la realimentación hacia la red de distribución eléctrica de la energía generada por módulos fotovoltaicos.

El Soladin va equipado con amplias medidas de seguridad para asegurar que se desactiva inmediatamente en cuanto se extrae el enchufe de CA de la toma de corriente o la red pública deja de funcionar.

El Soladin sólo es adecuado para la realimentación de energía solar hacia la red pública, no como inversor independiente.

Desembalado

El paquete de entrega se compone de las partes siguientes:

- El Soladin con su soporte
- Este manual del usuario

Una vez desembalado, compruebe que el Soladin no ha sufrido ningún tipo de daño. No utilice el Soladin si está estropeado. Si tiene alguna duda, póngase en contacto con su proveedor.



Seguridad

- Instale el Soladin de acuerdo con las instrucciones contenidas en este manual.
- Asegúrese de que el Soladin está desconectado de la red durante la instalación. Esto se puede llevar a cabo extrayendo el enchufe de CA de la toma de corriente.
- Las conexiones y las cuestiones de seguridad se deben llevar a cabo de acuerdo con la normativa local aplicable
- El Soladin se debe utilizar de acuerdo con las especificaciones que se enuncian en la página 30
- Nunca abra la carcasa, ¡pueden existir altos voltajes en su interior!

Módulos FV y cadenas

Un sistema solar se compone de varios módulos fotovoltaicos (solares), a los cuales nos referiremos en adelante como “módulos FV”. Los módulos FV están conectados en serie para formar lo que se denomina una “cadena”. Estas cadenas se componen de una conexión positiva (+) y una negativa (-) que se puede conectar directamente al Soladin. Es peligroso entrar en contacto con la tensión presente en estas cadenas, la cual además no se puede desactivar

Por consiguiente, el sistema solar debe cumplir con las especificaciones siguientes:

- Tensión máxima de la cadena en circuito abierto a la temperatura más baja posible de los módulos FV: 155 V CC. Consulte en la tabla 3 las configuraciones típicas para el Soladin.
- Cableado FV con aislamiento doble
- Todos los cables de la cadena deben tener aislamiento doble y deben ir equipado de conectores MultiContact (Ø4mm). Consulte a un instalador acerca de la disponibilidad de dichos ensamblaje de cables. No proceda a su ensamblaje usted mismo.
- La utilización de un conmutador de CC adicional puede ser obligatoria dependiendo de la normativa local aplicable

Póngase en contacto con un instalador si el sistema solar no cumple con las estipulaciones mencionadas más arriba. Debido a los altos voltajes que se pueden dar, la instalación y la modificación sólo pueden ser llevadas a cabo por un electricista cualificado familiarizado con los reglamentos y la normativa aplicables.

Cosas que necesita para instalar el Soladin

Asegúrese de que cuenta con todas las piezas que necesita para instalar el Soladin:

- El Soladin (que se incluye)
- Dos tornillos (con tacos) para montar el Soladin. Diámetro máximo: 4,5 mm. Use materiales de montaje adecuados para soportar el peso del Soladin.
- Herramientas para fijar los tornillos o pernos con tacos en la pared (destornillador, taladro, un juego de brocas, un lápiz)

Selección de la ubicación donde instalarlo

Observe las estipulaciones siguientes durante la instalación:

- El Soladin es adecuado sólo para su uso en interiores.
- Temperatura ambiental: -20 ... 50 °C; (reducción de potencia por encima de los 40 °C), humedad: 0 - 90% sin condensación
- Instale el Soladin en las proximidades de la toma de corriente
- No instale el Soladin en ambientes con gran cantidad de polvo o humedad.
- Si el Soladin se instala en la proximidad inmediata de zonas habitables, tenga en cuenta que produce un ligero nivel de ruido cuando está en funcionamiento.
- Monte el Soladin en posición vertical en una pared sólida y que no produzca resonancias.
- Monte el Soladin de forma que se evite la obstrucción del flujo de aire a través de las aberturas de ventilación
- No se deben situar objetos a una distancia de 20 cm alrededor del Soladin.
- Los Soladin múltiples deben montarse uno junto al otro y no uno encima del otro. Espacio mínimo: 20 cm.

Instrucciones de instalación

El Soladin va equipado con lo que se denomina “dispositivo de seguridad para evitar la formación de islas”. Asegura la desconexión inmediata en caso de fallo de la red. Los países europeos poseen diversas normativas respecto a los dispositivos para evitar la formación de islas y el suministro de energía de retorno hacia la red de distribución de

energía eléctrica en general. Compruebe el número de pieza que figura en la placa que indica el número de tipo para saber si la versión del Soladin es adecuada para estar conectada a la red de distribución de energía eléctrica local. Consulte la tabla 1.

Nunca conecte el Soladin a una red de distribución de energía eléctrica que no sea adecuada para el uso del aparato.

En Holanda sólo se puede conectar un Soladin a un circuito de bifurcación de alimentación eléctrica existente que vaya equipado con fusibles de 16 A. En otros países, serán de aplicación otras restricciones. Por favor, consulte la normativa local en lo referente a este tema.

Durante la instalación, puede comprobar mediante el indicador luminoso si se está procediendo correctamente. Dicha comprobación sólo se puede llevar a cabo cuando se está produciendo una irradiación suficiente. Por consiguiente, la instalación se debería realizar sólo durante el día.

A pesar de que el Soladin esté protegido contra la conexión incorrecta de la polaridad, no se deben intercambiar las conexiones positiva (+) y negativa (-).

Instale el producto de acuerdo con las instrucciones contenidas en las páginas 4 y 5.

Control

El Soladin tiene un puerto de comunicación que puede conectarse al puerto-COM (RS232) de un PC o de un ordenador portátil. Para establecer una conexión use la interfaz y el cable “Mastervolt PC-link”

Número pieza	Descripción
130391030	Soladin 600 conectado a PC, incl. cable de comunicación de 2m

Número de pieza	Descripción	Se puede utilizar en:
130000600	Soladin 600 230 V / 50 Hz QNS - UE	Europa, excepto Alemania y los países mencionados más abajo
130000610	Soladin 600 230 V / 50 Hz QNS - IT	Italia
130000620	Soladin 600 230 V / 50 Hz QNS - ES	España
130000630	Soladin 600 230 V / 50 Hz QNS - UK	Inglaterra

Tabla 1

Indicador luminoso

El modo de funcionamiento del Soladin se visualiza por medio de un indicador luminoso situado en la parte delantera de la carcasa. En funcionamiento normal parpadea una luz amarilla: cuando la iluminación amarilla del indicador luminoso es más larga significa que se está convirtiendo más energía.

Si la irradiación de los módulos FV es insuficiente, por ejemplo durante la noche, el Soladin se desactiva automáticamente. Cuando está desactivado, el indicador luminoso está apagado.

Fallos

Mientras el indicador luminoso se ilumine en rojo no se detecta ningún fallo: el Soladin se encuentra funcionando con normalidad. Si se produce un error, el propio aparato es capaz de detectarlo: se ilumina el indicador luminoso en rojo. Consulte la tabla 2.

Consulte a un instalador si no puede resolver el problema mediante la tabla de más abajo.



NOTA: durante la salida o la puesta de sol, el Soladin detecta una baja tensión solar, lo cual se indica mediante un parpadeo rojo del indicador luminoso. Se trata de una situación normal

Indicación del indicador luminoso	Significado	¿Qué hacer?
El indicador luminoso está apagado	Irradiación insuficiente	Nada. El Soladin funciona con normalidad, pero la irradiación de los módulos FV es insuficiente (por ejemplo durante las horas nocturnas)
El indicador luminoso está apagado	No llega energía desde los módulos FV	Consulte a un instalador si el indicador luminoso está apagado durante las horas diurnas. El cableado entre los módulos FV y el Soladin puede ser defectuoso. Compruebe que no existen conexiones sueltas o polaridades incorrectas.
• • • • • Parpadeo en amarilla	Funcionamiento normal	Nada. El Soladin se encuentra funcionando con normalidad. Cuanto más rápido es el parpadeo del indicador significa que se está convirtiendo más energía
— — — Impulsos de parpadeo rojo lentos y largos	Tiempo de reconexión	Nada. Tras la (re)conexión del Soladin a la red de CA, éste comprueba la calidad de la red antes de empezar a funcionar con normalidad. Esto puede durar hasta 5 minutos
— — — — — Impulsos de parpadeo rojo rápidos y largos	Intervalo de rearranque	Nada. Se lleva a cabo una comprobación del sistema durante la salida del sol. Esto puede durar hasta 15 segundos antes de que el Soladin empiece a funcionar con normalidad.
————— Luz roja constante	No existe tensión en la red	Conecte el enchufe de CA del Soladin en la toma de corriente; compruebe el fusible del armario de contadores.
• • • • • La luz roja parpadea 1 vez	Tensión solar demasiado baja	Condición normal durante la salida y la puesta de sol Consulte a un instalador si el problema continúa mientras la irradiación de los módulos FV es suficiente. Error de la instalación FV. ¿Las especificaciones de los módulos solares se corresponden con el Soladin?
• • • • • La luz roja parpadea 2 veces	Tensión solar demasiado alta	Consulte a un instalador. Error de la instalación FV. ¿Las especificaciones de los módulos solares se corresponden con el Soladin?
• • • • • La luz roja parpadea 3 veces	Tensión de la red de CA demasiado alta	Compruebe la conexión con la red.
• • • • • La luz roja parpadea 4 veces	Tensión de la red de CA demasiado baja	Compruebe la conexión con la red.
• • • • • La luz roja parpadea 5 veces	Frecuencia de la red demasiado elevada o demasiado baja	Compruebe la conexión con la red.
• • • • • La luz roja parpadea 6 veces	Temperatura interna demasiado elevada	No debe quedar obstruido el flujo de aire del Soladin. Si el problema continúa, desconecte el Soladin extrayendo el enchufe de CA de la toma de corriente y consulte a un instalador.
• • • • • La luz roja parpadea 7 veces	Error de coeficiente de temperatura negativo (NTC),	Consulte a un instalador para la reparación de un dispositivo de seguridad defectuoso del Soladin.

Tableau 2

Funcionamiento

Tras la instalación, el Soladin se conecta automáticamente si irradiación solar es suficiente. El Soladin funciona automáticamente: no existe necesidad de realizar ajustes o accionamientos.

El Soladin no cuenta con conmutador de conexión / desconexión; extraiga el enchufe de CA de la toma eléctrica de CA para desconectarlo. ¡No desconecte los conectores MultiContact durante el funcionamiento del Soladin!

No se requiere ningún mantenimiento específico. Si fuera necesario, utilice un paño suave y limpio para limpiar el Soladin. Nunca utilice líquidos, ácidos y/o estropajos.

Fin de servicio

Extraiga primero el enchufe de CA de la toma de corriente antes de desconectar los conectores MultiContact.

Ahora se puede desmontar el Soladin de un modo seguro:

1. Haga presión sobre la pestaña inferior del soporte para liberar el bloqueo de montaje.
2. Levante el Soladin aproximadamente 1 cm.
3. Separe el Soladin de la pared en sentido recto

Términos de la garantía

Mastervolt garantiza que este producto ha sido fabricado de acuerdo con la normativa y las cláusulas legalmente aplicables. Durante la producción y antes de la entrega todos los productos son puestos a prueba y controlados de forma exhaustiva. Si usted no actúa de acuerdo con la normativa, las instrucciones y las estipulaciones de este manual del usuario, se pueden producir daños y/o el producto no cumplirá con las especificaciones. Esto puede significar que la garantía quede nula y sin efectos.

El período de garantía es de 5 años.

Responsabilidad legal

Mastervolt no será responsable de:

- Los posibles errores de este manual y las consecuencias de ellos.
- La utilización que no sea coherente con la finalidad del producto.

Resumen de las especificaciones de Soladin 600

(para especificaciones ampliadas consulte la página 30)

Potencia PV máxima:	700 Wp
Voltaje MPP:	45-125 V CC
Voltaje de entrada máximo U-oc @ -10°C:	155 V CC
Corriente MPP máxima:	8 A CC

Módulos FV	Potencia	Una cadena	Dos cadena en paralelo**
36 células U _{oc} = 28 V* U _{mpp} = 18 V*	75 Wp	4 - 6 en serie	4 en serie
	100 Wp	4 - 6 en serie	--
	125 Wp	4 - 5 en serie	--
	150 Wp	4 (5) en serie	--
54 células U _{oc} = 32 V* U _{mpp} = 27 V*	75 Wp	3 - 4 en serie	3 - 4 en serie
	100 Wp	3 - 4 en serie	3 en serie
	125 Wp	3 - 4 en serie	--
	150 Wp	3 - 4 en serie	--
	175 Wp	3 - 4 en serie	--
72 células U _{oc} = 43 V* U _{mpp} = 36 V*	75 Wp	2 - 3 en serie	2 - 3 en serie
	100 Wp	2 - 3 en serie	2 - 3 en serie
	125 Wp	2 - 3 en serie	2 en serie
	150 Wp	2 - 3 en serie	2 en serie
	175 Wp	2 - 3 en serie	2 en serie

* Valor aproximado; consulte las especificaciones del fabricante

** Se indica la configuración para una serie. Use conectores de derivación MultiContact para conectar dos cadenas en paralelo. Números de pieza MultiContact: PV-AZS4 (positivo) y PV-AZB4 (negativo)

Tabla 3: configuraciones típicas de cadenas para el Soladin 600

Descrizione del prodotto e utilizzo

Congratulazioni per aver scelto Mastervolt Soladin 600. Soladin 600, da qui in poi chiamato "Soladin", è un invertitore solare collegato alla rete, usato per la conversione e la diffusione nella rete di utility dell'energia generata da moduli fotovoltaici.

Soladin dispone di varie misure di sicurezza in modo da assicurare lo spegnimento immediato una volta disinserita la spina CA dalla presa a muro o quando si verifica un problema di funzionamento alla rete pubblica.

Soladin è adatto solo per la diffusione dell'energia solare nella rete pubblica, non come invertitore indipendente.

Aprire l'imballaggio

L'imballaggio contiene i seguenti pezzi:

- Soladin con supporto di montaggio
- Il presente manuale per l'utente

Una volta aperto l'imballaggio, controllare che Soladin non sia danneggiato. Non usare Soladin se è danneggiato. In caso di dubbi, contattare il rivenditore.



Sicurezza

- Installare Soladin seguendo le istruzioni incluse nel presente manuale.
- Assicurarsi che Soladin sia scollegato dalla rete durante l'installazione. A questo scopo, disinserire la spina CA dalla presa a muro.
- I collegamenti e le funzioni di sicurezza devono essere eseguite in conformità con le norme locali.
- Soladin deve essere utilizzato secondo le specifiche tecniche, come indicato a pagina 30.
- Non aprire il rivestimento in quanto all'interno potrebbe esservi alta tensione!

Moduli PV e stringhe

Un impianto solare è costituito da vari moduli fotovoltaici (solari), da qui in poi chiamati "moduli PV". I moduli PV sono collegati in serie a formare una cosiddetta "stringa". Tali stringhe sono costituite da un collegamento positivo (+) e da uno negativo (-) in connessione diretta con Soladin. Le tensioni presenti su queste stringhe non sono sicure da toccare e non possono venire disattivate.

L'impianto solare deve quindi disporre delle seguenti specifiche tecniche:

- Massima tensione a circuito aperto della stringa con una temperatura dei moduli PV più bassa possibile: 155 VCC. Consultare la tabella 3 per le configurazioni tipiche di Soladin.
- Cavo PV doppio isolato
- Tutti i cavi della stringa devono disporre di doppia isolazione e devono venire utilizzati con i connettori MultiContact (Ø4mm) preassemblati. Consultare un installatore per verificare la disponibilità di tali cavi composti. Non assemblarli da soli!
- A seconda delle norme locali vigenti, potrebbe essere necessario utilizzare un contattore CC supplementare.

Contattare un installatore nel caso in cui l'impianto solare non fosse conforme alle condizioni menzionate precedentemente. A causa di possibile alta tensione, l'installazione e le modifiche devono venire effettuate esclusivamente da un elettricista qualificato che conosca le norme e gli standard da applicare.

Pezzi necessarie per installare Soladin

Assicurarsi di disporre tutti i pezzi necessari per installare Soladin:

- Soladin (incluso)
- Due viti (con tassello) per il montaggio di Soladin. Diametro massimo: 4,5 mm. Usare materiali di montaggio adatti a sostenere il peso di Soladin.
- Strumenti per fissare alla parete le viti/i bulloni con tasselli (un cacciavite, un trapano, un set di punte per trapano, una matita)

Scelta del luogo in cui eseguire l'installazione

Durante l'installazione osservare le seguenti condizioni:

- Soladin può essere utilizzato in ambienti interni.
- Temperatura ambientale: -20 ... 50°C; (dissipazione di potenza sopra i 40°C), umidità: 0-90% senza condensa.
- Installare Soladin in prossimità di una presa a muro.
- Non installare Soladin in ambienti in cui si condensa eccessiva polvere o umidità.
- Se Soladin viene installato nelle immediate vicinanze di zone abitate, tenere presente che produce un lieve rumore durante il funzionamento.
- Montare Soladin in verticale su una parete solida, priva di risonanza.
- Montare Soladin in modo da evitare di ostruire il flusso dell'aria dai fori di ventilazione.
- Non collocare alcun oggetto entro una distanza di 20 cm da Soladin.
- Qualora si disponga di vari Soladin, è necessario montarli uno accanto all'altro, non uno sopra l'altro. Intervallo minimo: 20 cm.

Indicazioni per l'installazione

Soladin è dotato di un cosiddetto "dispositivo di sicurezza per il controllo dell'isolamento". Assicura lo spegnimento immediato in caso di guasto della rete. Le nazioni europee impongono condizioni diverse per quanto riguarda i dispositivi per il controllo dell'isolamento e l'erogazione di energia alla rete di utility in generale. Controllare sul numero di parte nell'etichetta del numero di omologazione se la versione di Soladin può essere collegata alla rete di utility locale. Consultare la tabella 1. Non collegare Soladin ad una rete di utility non adatta al presente apparecchio!

In Olanda è possibile collegare un solo Soladin al circuito elettrico derivato esistente a 16 Amp. In altre nazioni vengono applicate altre restrizioni. Informarsi sulle norme locali.

Durante l'installazione è possibile controllare se è stata portata a termine correttamente l'installazione grazie al LED. È possibile eseguire tale verifica in presenza di sufficienti irradiazioni. Eseguire quindi l'installazione solo durante le ore diurne.

Sebbene Soladin sia protetto in caso di errori di polarità, non si deve cambiare la polarità positiva (+) e negativa (-) dei collegamenti solari.

Installare il prodotto secondo le istruzioni specificate a pagina 4 e 5.

Monitoraggio

Il Soladin presenta una porta di comunicazione che è possibile collegare alla porta COM (RS232) di un PC o laptop. Per stabilire un collegamento, usare l'interfaccia facoltativa "Mastervolt PC-link" e il relativo cavo

Numero di pezzo	Descrizione
130391030	PC-link Soladin 600, compreso cavo di comunicazione da 2 m

Numero di parte	Descrizione	Uso consentito in:
130000600	Soladin 600 230V/50Hz QNS - EU	Europa, escluse la Germania e le nazioni citate di seguito
130000610	Soladin 600 230V/50Hz QNS - IT	Italia
130000620	Soladin 600 230V/50Hz QNS - ES	Spagna
130000630	Soladin 600 230V/50Hz QNS - UK	Inghilterra

Tabella 1

LED

Il modo di funzionamento di Soladin viene visualizzato grazie ad un LED situato nella parte anteriore del rivestimento. In funzionamento normale lampeggia in gialla: quanto più tempo il LED rimane gialla, più potenza viene convertita.

Se l'irradiazione dei moduli PV non è sufficiente, per esempio di notte, Soladin si spegne automaticamente. Quando si spegne, scompare anche il LED.

Guasti

Finché il LED non si illumina di rosso, non viene rilevato alcun guasto: Soladin funziona normalmente. In caso di errore, questo viene rilevato direttamente dall'apparecchio: il LED diventa rosso. Consultare la tabella 2.

Se non si riesce a risolvere l'inconveniente seguendo la tabella di seguito, consultare un installatore.



NOTA: all'alba o al tramonto viene rilevata una bassa tensione solare da Soladin, indicata con un LED rosso lampeggiante. È una situazione normale.

Indicazione del LED	Significato	Cosa fare?
LED spento	Irradiazione non sufficiente	Niente. Soladin funziona normalmente, ma l'irradiazione dei moduli PV non è sufficiente (per esempio durante le ore notturne).
LED spento	Nei moduli PV non passa la corrente	Se il LED si trova spento nelle ore diurne, consultare un installatore. I cavi tra i moduli PV e Soladin potrebbero essere difettosi. Controllare che non vi siano collegamenti approssimativi o polarità non corrette.
• • • • • Lampeggiamento giallo	Funzionamento normale	Niente. Soladin funziona normalmente. Quanto più veloce lampeggia la spia, più potenza viene convertita.
— — — Impulsi rossi lunghi e lampeggiamento lento	Orario di richiusura	Niente. Dopo aver (re)inserito Soladin alla rete CA, verifica la qualità della rete CA prima di funzionare normalmente. Occorrono oltre 5 minuti.
— — — — — Impulsi rossi lunghi e lampeggiamento veloce	Ritardo di riavvio	Niente. All'alba viene eseguita una verifica dell'impianto. Occorrono un massimo di 15 secondi prima che Soladin inizi a funzionare normalmente.
————— Rosso continuo	Nessuna tensione di rete	Inserire la presa CA di Soladin alla rete a muro; controllare il fusibile nel contatore.
• • • • • 1 lampeggiamento in rosso	Tensione solare troppo bassa	Condizioni normali all'alba ed al tramonto. Se l'inconveniente persiste nonostante l'irradiazione dei moduli PV sia sufficiente, consultare un installatore. Errore nell'installazione PV. Le specifiche tecniche dei moduli solari sono conformi con Soladin?
• • • • • 2 lampeggiamenti in rosso	Tensione solare troppo alta	Consultare un installatore. Errore nell'installazione PV. Le specifiche tecniche dei moduli solari sono conformi con Soladin?
• • • • • 3 lampeggiamenti in rosso	Tensione rete CA troppo alta	Controllare il collegamento della rete.
• • • • • 4 lampeggiamenti in rosso	Tensione rete CA troppo bassa	Controllare il collegamento della rete.
• • • • • 5 lampeggiamenti in rosso	Frequenza di rete troppo alta o troppo bassa	Controllare il collegamento della rete.
• • • • • 6 lampeggiamenti in rosso	Temperatura interna troppo alta	Non ostruire il flusso d'aria in Soladin. Se il problema persiste, spegnere Soladin disinserendo la spina CA dalla presa a muro e consultare un installatore.
• • • • • 7 lampeggiamenti in rosso	Errore NTC	Consultare un installatore per riparare il dispositivo di sicurezza difettoso di Soladin.

Tabella 2

Funzionamento

Dopo aver eseguito l'installazione, Soladin si accende automaticamente se l'irradiazione solare è sufficiente. Soladin funziona automaticamente: non è necessario effettuare regolazioni né metterlo in funzione.

Soladin non dispone di interruttore ON/OFF; disinserire la spina CA dalla presa CA per spegnerlo. Non disinserire le spine MultiContact durante il funzionamento di Soladin!

Non è necessaria alcuna manutenzione specifica. Se necessario, usare un panno morbido per pulire Soladin. Non utilizzare liquidi, acidi e/o spugnette.

Messa fuori servizio

Disinserire dapprima la spina CA dalla presa a muro prima di disinserire le prese MultiContact.

È quindi possibile smontare Soladin in modo sicuro.

1. Tirare la linguetta inferiore del supporto di montaggio per aprire il blocco.
2. Sollevare Soladin di circa 1 cm.
3. Spostare Soladin in verticale rispetto alla parete.

Termini di garanzia

Mastervolt garantisce che il seguente prodotto è stato fabbricato in conformità con gli standard e con le specifiche applicabili per legge. Durante la produzione e prima della consegna tutti i prodotti vengono sottoposti a prove accurate e poi controllati. Se non si agisce in conformità con le norme, le istruzioni e le condizioni incluse nel presente manuale dell'utente, potrebbero verificarsi danni e/o il prodotto potrebbe non soddisfare le specifiche tecniche. In tal caso, la garanzia non avrebbe valore legale.

Il periodo di garanzia è di 5 anni.

Responsabilità

Mastervolt non si ritiene responsabile di:

- possibili errori nel manuale allegato ed eventuali conseguenze derivanti.
- l'uso differente rispetto all'idea del prodotto.

Riepilogo delle specifiche del Soladin 600 (per le specifiche estese vedere a pagina 30)

Potenza massima PV:	700 Wp
Tensione MPP:	45-125 V CC
Tensione di ingresso massima U-oc @ -10° C:	155 V CC
Corrente MPP massima:	8 A CC

Modulo PV	Potenza	Una stringa	Due stringhe in parallelo**
36 celle U _{oc} = 28V* U _{mpp} = 18V*	75 Wp	4 - 6 in serie	4 in serie
	100 Wp	4 - 6 in serie	--
	125 Wp	4 - 5 in serie	--
	150 Wp	4 (5) in serie	--
54 celle U _{oc} = 32V* U _{mpp} = 27V*	75 Wp	3 - 4 in serie	3 - 4 in serie
	100 Wp	3 - 4 in serie	3 in serie
	125 Wp	3 - 4 in serie	--
	150 Wp	3 - 4 in serie	--
	175 Wp	3 - 4 in serie	--
72 celle U _{oc} = 43V* U _{mpp} = 36V*	75 Wp	2 - 3 in serie	2 - 3 in serie
	100 Wp	2 - 3 in serie	2 - 3 in serie
	125 Wp	2 - 3 in serie	2 in serie
	150 Wp	2 - 3 in serie	2 in serie
	175 Wp	2 - 3 in serie	2 in serie

* Valore approssimato; consultare le specifiche tecniche del produttore

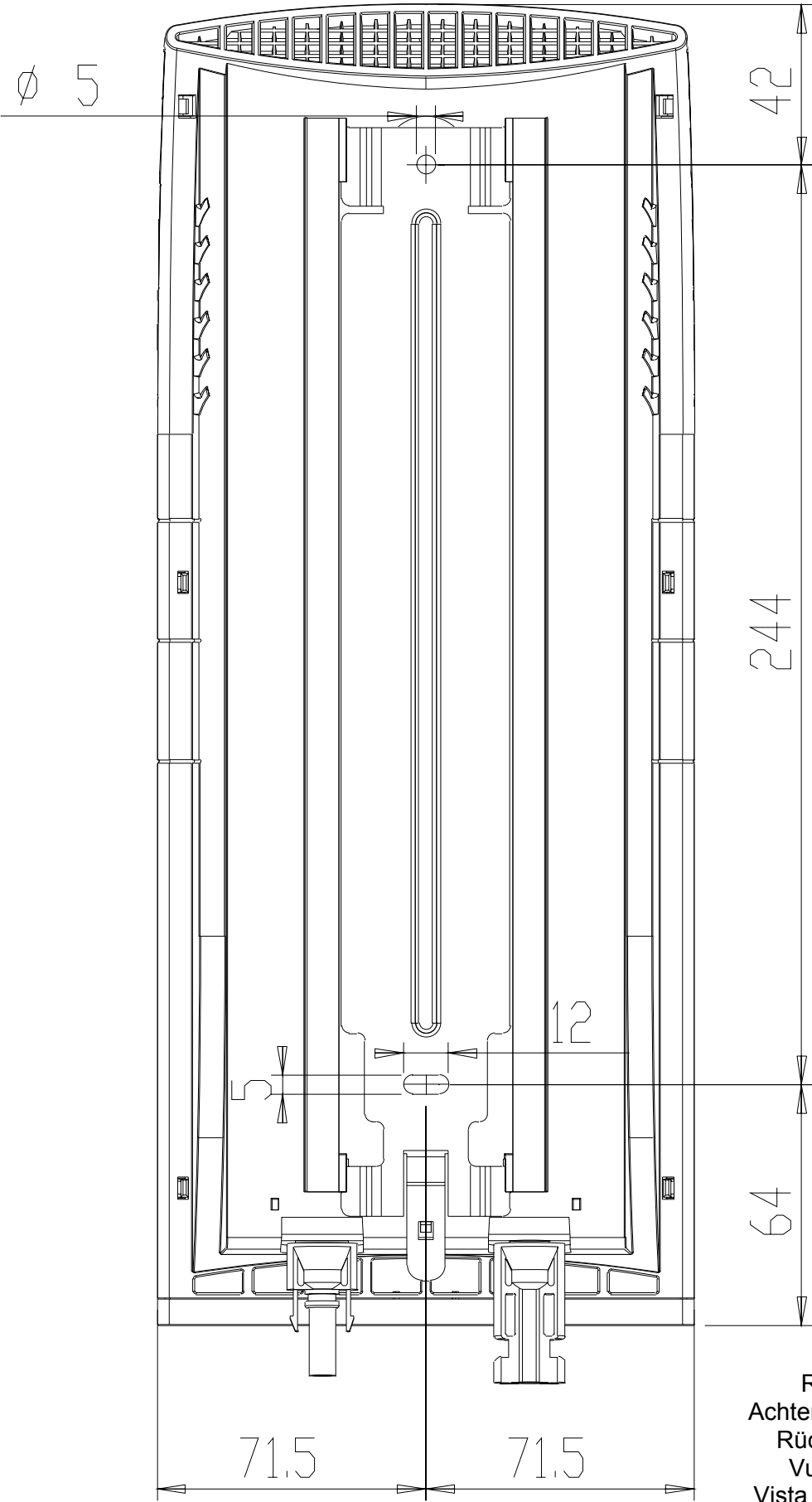
** È prevista la configurazione per una serie. Per collegare due serie in parallelo, usare dei connettori per derivazioni MultiContact. Numeri di pezzo MultiContact: PV-AZS4 (positivo) e PV-AZB4 (negativo)

Tabella 3: Configurazione tipica di stringa per Soladin 600

SPECIFICATIONS

Model	Soladin 600 EU
Part number:	130000600
Manufacturer:	Mastervolt, Amsterdam, the Netherlands
Operating temperature:	-20°C to 40°C
Storage temperature:	-20°C to 70°C
Relative humidity:	max. 95%, non condensing
Protection degree:	IP23
Safety class:	Class II
Dimensions (H x W x D):	365 x 143 x 75 mm.
Weight:	Approx. 2 kg.
Casing:	Flame retardant plastic
Input (DC)	
Nominal power @25 °C:	550W
PV power range:	160-700 Wp
MPP voltage range:	45-125V DC
Maximum voltage:	155V DC
MPP current:	8A
MPP tracker:	dynamic MPP tracker
Start-up power:	1W DC @ 45V DC
String connection:	MultiContact connectors
Grid output (AC)	
Voltage:	230V (207V-253V)
Nominal power:	525W
Nominal current:	2,25A
Fuse:	3,15A -T
Frequency:	50 Hz (49,8-50,2 Hz)
Cos phi:	0,99
Stand-by power:	< 0,05W AC
Maximum efficiency:	93%
EU efficiency:	91%
AC connection:	AC cable with plug, 1,80 meter
Safety devices	
Island protection:	Voltage and frequency window monitoring; Maximum reaction time: 100 ms.
Power limiting:	Automatic derating by increasing the operating voltage, depending on the internal inverter temperature.
Temperature protection:	Power derating at higher internal temperature
Reversed DC polarity:	DC connection fully protected
Monitoring	
Indicator:	LED: yellow / red
Correct operation:	Yellow, flashing. The longer the LED is lit, the more power is converted
Grid or inverter fault:	Red, 10 different flashing codes
Compliance	
CE compliance:	Yes
EMC directive:	EMC 89/336/EEG
Emission:	EN 50081-1
Harmonics:	EN 61000-3-2
Immunity:	EN 50082-2
LV directive:	LV 73/23/EEC
Electric safety:	EN 60950

DIMENSIONS – AFMETINGEN – ABMESSUNGEN – DIMENSIONES



Rear view
Achteraanzicht
Rückansicht
Vue arrière
Vista posterior
Vista posteriore

CE DECLARATION OF CONFIRMITY

Manufacturer: Mastervolt

Address: Snijdersbergweg 93
1105 AN Amsterdam
The Netherlands



Herewith declares that:

Product: Soladin 600

is CE-marked and complies with the following standards:

EMC directive 89/336/EEC
Environment: residential, commercial and light industrial

Emission

Emission - class B: EN 55022: 1998
harmonic current emission: EN 61000-3-2: 2000

Immunity

Generic immunity standard: EN 61000-6-2: 2001
Electrostatic discharge (ESD): EN 61000-4-2: 1995
Radiated EMC: EN 61000-4-3: 1996
Electrical fast transients (EFT) : EN 61000-4-4: 1995
Surge transient : EN 61000-4-5: 1995
Conducted RF disturbances : EN 61000-4-6: 1996
Voltage dips and short interrupts : EN 61000-4-11: 1994
Digital radio telephones : ENV 50204: 1995

Safety

Low Voltage directive : LV 73/23 EEC
Electrical safety : EN 60950 : 2003

Amsterdam,

R.J. ter Heide,
General Manager MASTERVOLT



MASTERVOLT

© Mastervolt BV, Snijdersbergweg 93, 1105 AN Amsterdam, Netherlands
Tel: + 31-20-3422100 Fax: + 31-20-6971006 Email: info@mastervolt.com