



FOCALPOINT

MONET - TRINITY- EBONY

ELECTRIC WALL HEATER

MODEL : P23E

INSTALLATION AND USER INSTRUCTIONS

All instructions must be handed to user for safekeeping

Revision D - 06/09

Country(s) of destination - GB/IE

Focal Point Fires plc, Christchurch, Dorset BH23 2BT

Tel: 01202 499330 Fax: 01202 499326

www.focalpointfires.co.uk

e-mail: sales@focalpointfires.co.uk



FOCALPOINT





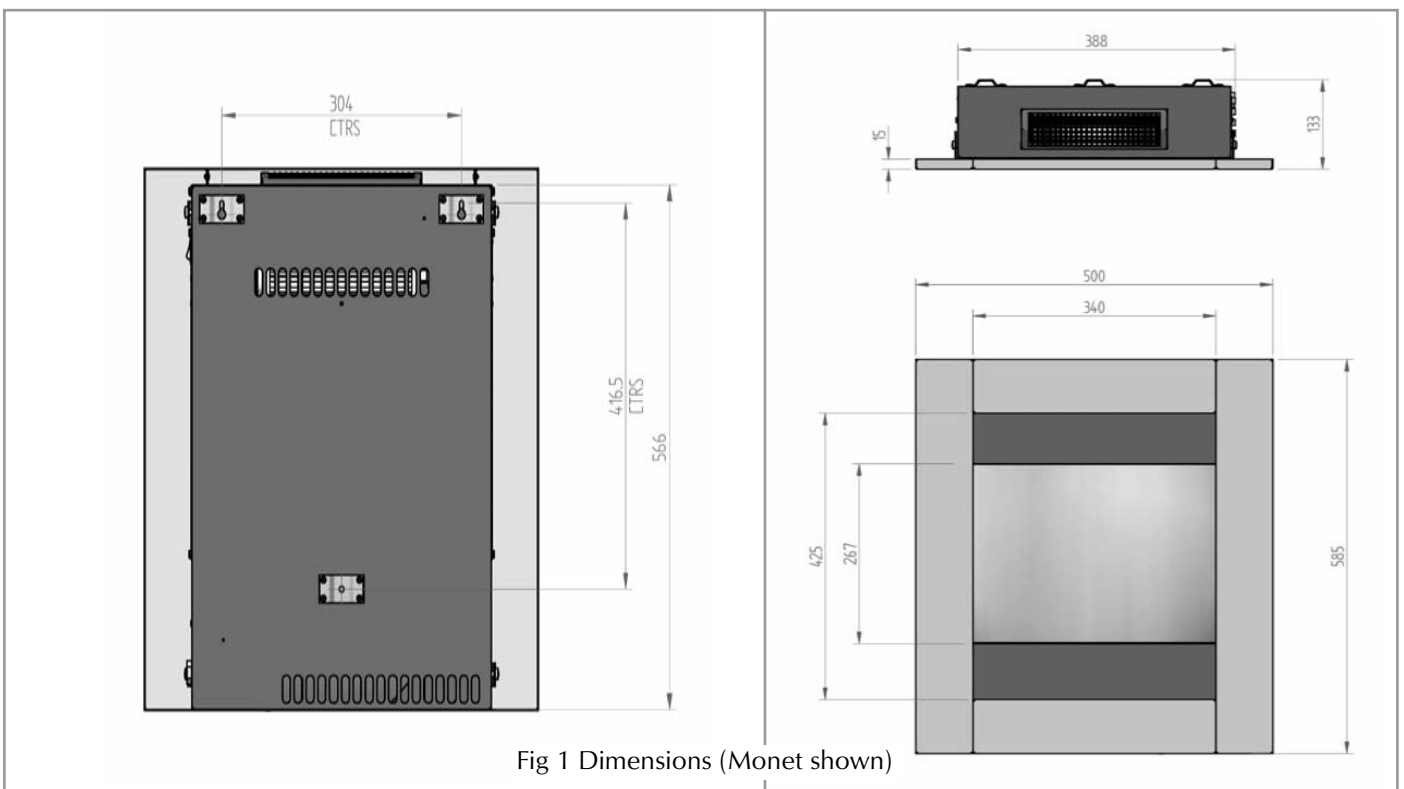
MONET



TRINITY



EBONY



CONTENTS

Section	Contents	Page No.	Section	Contents	Page No.
1.0	Preliminary Notes	1	8.0	Preparing the Appliance	3
2.0	Appliance Data/Specifications	1	9.0	Fixing the Appliance	4
3.0	Electrical Installation Requirements	1	10.0	Operating the Appliance	5
4.0	Site Requirements	2	11.0	Safety Cut-Out System	5
5.0	Clearances to Combustible Materials	2	12.0	Maintenance - Lamp Replacement	6
6.0	Unpacking the Appliance	3	13.0	Cleaning	6
7.0	Component Checklist	3	14.0	Servicing	6

1.0 PRELIMINARY NOTES

The Monet, Trinity and Ebony electric wall heaters provide convected heating in conjunction with a visual fuel effect display. The three models differ only in respect of the design of the decorative front frame. The appliance is designed for indoor use, and can be simply wall mounted in the majority of wall positions anticipated. It can be located in any household room, with the exception of bathrooms.

- Read all of the instructions before commencing installation. Retain for future reference and pass on as necessary to subsequent owners of the appliance.
- DO NOT use this appliance immediately below a fixed socket outlet.
- DO NOT use this appliance in the immediate vicinity of a bath, shower, swimming pool or other area where water/moisture could present a hazard.
- CAUTION: This appliance must not be used in conjunction with any timer, programmer or thermal control, or any other device that will switch on the appliance automatically, as a fire risk may occur if the heaters are accidentally covered or displaced.
- Note: The heater outlet is located on the top surface behind the front frame.
- Do not allow the heater to be covered as this may cause overheating. Additionally, DO NOT place any items on top of this appliance. The appliance must not be placed near curtains or similar material. A clearance space of at least 500mm should be allowed in front of the appliance.
- The electrical socket that the appliance uses MUST be easily accessible. Do not route the supply cord directly over or above the heater unit. If the cord is damaged, it must be replaced by a service agent or competent person.
- This appliance is not intended for use by persons (including children) with reduced physical, sensory or mental capabilities, or lack of experience and knowledge, unless they have been given supervision or instruction concerning use of the appliance by a person responsible for their safety.
- Children should be supervised to ensure that they do not play with the appliance.

2.0 APPLIANCE DATA

Weight (kg):	10.0 kg
Dimensions (mm):	H 585 x W 500 x D 133
Voltage (Volts):	230-240V a.c. 50Hz
Heating Elements:	2 x 900/1000 Watts
Supply Cord:	2 metres
Supply Plug:	BS 1363, 13A Fused
Location:	Indoor Use
Lighting:	1 x 60W Amber B.C. Bulb

3.0 ELECTRICAL INSTALLATION REQUIREMENTS

The appliance is designed to be wall mounted using the brackets and fixings provided.

DO NOT RECESS ANY PART OF THE APPLIANCE.

The appliance is supplied with a pre-wired three pin BS1363 plug (13 Amp fuse rated), and 2 metre cable. A standard switched outlet/wall socket, (including earth provision), must therefore be located within this distance, and be easily accessible in order to isolate the supply for maintenance and cleaning. This socket **must not** be mounted behind or above the appliance.

IMPORTANT: THIS APPLIANCE MUST BE EARTHED.

4.0 SITE REQUIREMENTS

The appliances are designed to be wall mounted via the brackets on the rear panel with the fixings provided. The wall should be relatively flat and not interfere with any of the ventilation slots in the rear panel.

The wall must be structurally sound and of a material capable of withstanding moderate heat. Finished plaster, conventional wallpaper, dry-lined plaster board are examples of suitable materials. Materials such as "flock blown vinyl", embossed paper and cloth wall coverings which are sensitive to even small amounts of heat should be avoided, as some discolouration may occur.

It should be noted that the appliance creates warm convected air currents. These currents move heat from the room surroundings to, and up the wall surfaces adjacent to the heater. Installing the heater next to these types of wall coverings or operating the heater where impurities in the air, (such as tobacco smoke) exist, may slightly discolour wall finishing.

If the appliance is to be mounted on a dry lined or timber framed construction then the integrity and ability of the wall to carry the weight of the appliance must be confirmed. It is important in these circumstances that any vapour barrier and/or structural members of the house frame are not damaged.

If you are unsure of the ability of the wall to carry the weight and/or which type of wall fixing to use, you should take professional advice and obtain the correct fixings. Alternatively, find a more suitable wall location.

- DO NOT**
- mount on a ceiling or floor.
 - recess any part of the appliance into the wall.
 - site any electrical equipment e.g. plasma screen TV sets etc, on the wall above the appliance.
 - site in a position where curtains or drapes could cover the appliance.
 - site in a position where other soft materials could cover e.g. below a coat rack.
 - site behind an opening door where mechanical impact/damage could occur.
 - site where the supply cable would become a trip hazard.
 - sit, stand or forcefully pull on the appliance.
 - obstruct, cover or force items into the openings.
 - use the heater to dry clothes.
 - site/use in an outdoor location(s).
 - run the supply cable under carpets.

5.0 CLEARANCES TO COMBUSTIBLE MATERIALS

It is important that the following clearances are maintained from the appliance to combustible materials. These clearances are dependant on the mounting location as defined below:

a) Wall Mounted:

The minimum distance from the top of the appliance to a ceiling is 500mm.
The minimum distance to the sides of the appliance is 100mm.
The minimum distance to the front of the appliance is 500mm.

The appliance can be wall mounted at floor level, providing it does not stand on a carpet or similar material. Allow clearance to carpets of 30mm.

A shelf may be mounted above the appliance provided it meets the requirements for shelves as detailed in b) below.

b) Floor/Fireplace Mounted:

If mounted into a fireplace surround, ensure that the minimum clearance distances to mantles and/or any shelves fitted above the appliance are as follows:

Shelf Depth	Minimum Shelf Distance (measured from top of appliance)
2" or (50mm)	11.5 " or (290mm)
6" or (152mm)	15.4 " or (390mm)

When installed with a combustible fire surround, the ability of the surround to withstand prolonged moderate heat must be assured.

6.0 UNPACKING THE APPLIANCE

Caution: This appliance is heavy. Always seek assistance whilst unpacking and/or during installation.

Read **all** the instructions before continuing to unpack or install this appliance. Carefully remove the appliance from its packaging and lay on the floor with its back surface downward.

Note: DO NOT stand the appliance on its front frame as this may cause distortion.

Check that the remaining packaging contents correlate with the component checklist below. Please dispose of all packaging with care at your local recycling centre.

7.0 COMPONENT CHECKLIST

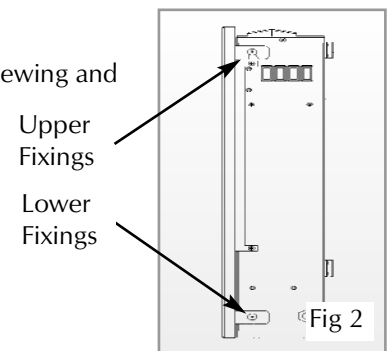
QUANTITY	DESCRIPTION
1	Fire Appliance
1	Decorative Frame (Monet models only)
1	Decorative Frame Decorative frame edge sets and attachment magnets (Trinity models only)
1	Decorative glass facia (Ebony models only)
1	Bag of Decorative Pebbles
1	Instruction Booklet
3	37mm Pozi Pan-Head Screws
3	Wall plugs
1	Wall Mounting Template

8.0 PREPARING THE APPLIANCE

DO NOT connect the appliance to the supply at this stage.

1. Carefully remove the front decorative frame from the main casing by unscrewing and removing the 2 lower M6 thumbscrews, (2 located on either side), as shown in Fig 2.

Lift the frame vertically upwards to clear the upper two thumbscrews and pull gently forwards to release from the main case assembly.

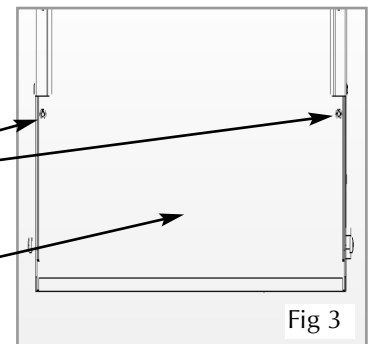


Monet model illustrated

Now remove the 2 x No 8 Pozi self tapping screws, retaining the lower lamp cover plate, as shown in Fig 3, and remove the cover plate.

No 8 fixing screws

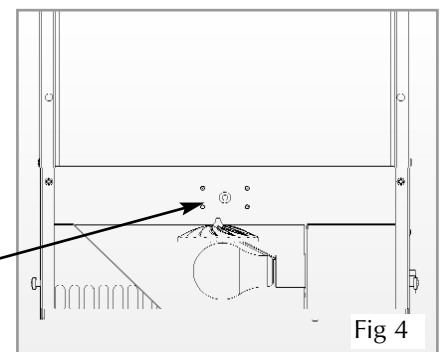
Lamp cover plate



3. Carefully "ease" the white fuel bed from the appliance.

This allows access to the lower fixing position located at the back of the main case assembly. See Fig 4.

Lower fixing position



9.0 FIXING THE APPLIANCE

A) Marking Positions:

Having selected the final mounting position for the appliance, taking into account the site requirements as detailed in section 4, the heater can now be fixed to the wall.

There are three fixing positions, two upper “hanging” positions”, and one lower position on the backpanel located behind the fuel bed. Refer to Fig 4 for details.

A template is provided to aid location of fixings. Use a spirit level to ensure that the template is level. This ensures that both upper and lower fixing positions are horizontally aligned.

Using the template in the required position on the wall, “mark through” the template and onto the wall at the three mounting locations designated “P23E” for this particular appliance. Now remove the template.

B) Wall Fixings:

If the appliance is to be mounted on the inner leaf of a conventional cavity wall or a solid wall, drill three holes to a depth of 42mm using only a 8mm masonry bit.

Insert the wall-plugs provided. If the appliance is to be mounted on a dry lined wall or timber framed construction, then special cavity screw fixings will be required, that are not supplied with this product. Insert 2 x 37mm long fixing screws into the upper two wall-plugs, taking care to leave the screws protruding approximately 6mm from the wall.

The appliance can now be “hung” onto the two upper wall fixings, ensuring that the heads of the screws go through the keyhole shaped holes, and then drop down into the slot.

Ensure that the lower rear panel fixing hole aligns with the wall plug, and then insert 1 x 37mm fixing screw and fully tighten.

Finally fully tighten the two upper fixing screws, through the two panel access holes at the front of the appliance.

C) Re-Assembly of Appliance:

Note: re-assembly is the reverse of disassembly as described in section 8.0

1. Refit the fuel bed, ensuring that the lamp spinner is free to rotate.
2. Refit the lower lamp cover plate, firstly inserting the bottom edge behind the firebox lip. Secure with the two screws previously removed.

Peel off any remaining protective plastic coatings on the front frame, curved backpanel and the plastic fuel bed.

3. Unpack the pebbles and arrange them over the fuel bed. The final pebble arrangement can only be done later when the lamp is switched on and light shines up through the transparent cover. The ideal pebble layout is shown in the photograph on the right.

4. Reattach the front decorative frame by hanging onto the two upper fixing bolts, and reinserting the two lower fixing bolts through the lower fixing brackets. Retighten the two lower fixing bolts.

Note: For Trinity models either the chrome or brass decorative trim pieces can be attached. Use the the supplied magnets equally spaced along the rear face of each trim section. Fit both side sections firstly, followed by the top and bottom sections.



10.0 OPERATING THE APPLIANCE

Read All Instructions Before Use

Check that the heater outlet grille, mounted at the top of the appliance, is not covered or obstructed in any way, and ensure the power to the fire is switched on. The appliance is controlled using four switches mounted at the right hand side towards the top.

The first switch towards the front, **marked (OI)**, controls the main power to the appliance and switches on the visual light display. This feature can be used independently of the heating features.

The next switch **marked (*)** operates the fan blower without heat, and can be used for cool air circulation. However for this feature, the main power switch (OI) must also be in the “on” position.

The next switch with a “single bar” **marked (I)** operates the low heat, (1kW), setting.

The switch with “two single bars” **marked (II)** operates the high heat (2kW) setting.

To operate the fire in any of the above modes, the left hand switch **marked (OI)** must be switched to the “on” position.

To operate the fire, the first switch must be turned on firstly, followed by the second switch to start the blower, if required. To obtain heat from the appliance, the I switch must then be operated for LOW heat, followed by the II switch for the HIGH heat setting.

The appliance can be switched off at any time, irrespective of the particular mode selected, by simply switching the first switch marked (OI) to the “off” position.

It is also recommended to unplug the power supply cable at the supply outlet when not in use.

11.0 SAFETY CUT-OUT SYSTEM

This appliance has a safety cut-out system fitted which will activate if the air inlets or heater outlets are obstructed. For safety reasons the fire **WILL NOT** switch on again automatically.

NOTE: The visual light effect will remain operational if the cut-out is activated, only the fan heater elements are prevented from operating.

The following procedure must be carried out before the fire can be operated again:

1. Unplug the power supply cable **at the outlet socket and place all switches to off at the appliance.**
2. Leave the fire OFF for a period of not less than 10 minutes, ensuring any obstructions are removed.
3. Plug in the power supply cable **at the outlet socket, and then switch on at the appliance.**

If the appliance fails to operate correctly, repeat the above procedure.

If an attempt to switch on is made before the safety cut-out has reset, the heaters may cut-out for a further period of time. If the sequence has been followed correctly and the heaters still fail to function, check the power supply cable plug is plugged in at the outlet socket. If this is not the cause, call an electrician.

12.0 MAINTENANCE

ALWAYS DISCONNECT THE APPLIANCE AT THE SUPPLY OUTLET SOCKET BEFORE UNDERTAKING ANY MAINTENANCE.

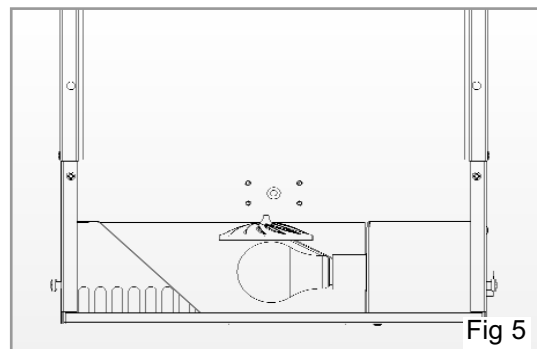
Excluding the lamp and fuse, use only genuine spare parts available from your supplier. Replacement lamps must be of the same wattage and specification as those stated in Section 2.0 Appliance Data/Specifications.

Replacing the Light Bulb.

1. Switch off at the appliance, and then disconnect the plug from the outlet socket.

2. Remove the decorative front frame, and the lower lamp cover plate (2 x screws), as described in section 8.0 to gain access to the bulb. Note: the fuel bed can be removed if necessary to aid replacement.

3. The bulb has a conventional bayonet fitting. Remove and replace with the new bulb (see Fig 5 opposite).



4. Reposition the lower lamp cover plate and replace the two No 8 Pozzi screws, and tighten fully.

5. Reposition the decorative front frame and retighten the two lower frame fixing bolts.

6. Reconnect electrical supply and check for correct operation of the lamp and spinner assembly.

13.0 CLEANING

ALWAYS DISCONNECT THE APPLIANCE AT THE SUPPLY OUTLET SOCKET BEFORE UNDERTAKING ANY CLEANING.

There are no specific requirements for care, other than regular cleaning of the general appliance. A wipe with a dry cloth is normally sufficient.

DO NOT use abrasive cleaners as they can damage the finish.

Stainless steel parts may be cleaned using an appropriate metal cleaner or baby oil. Test on a hidden part of the stainless steel before cleaning. Clean only in the direction of the grain.

14.0 SERVICING

There are no internal user serviceable parts.

Check regularly for security of wall fixings as appropriate. Also check security of supply cable and connections. If the supply cable becomes damaged, it must be replaced by a service agent or competent person, such as a qualified electrician.

The wires in the cable are coloured in accordance with the following code:

LIVE	- Brown
NEUTRAL	- Blue
EARTH	- Green/Yellow

Refer to Section 2.0, Appliance Data for fuse specification. Excluding fuses and lamps, use only genuine manufacturers spare parts available from your supplier.



Waste electrical products should not be disposed of with household waste. Please recycle where facilities exist. Check with your local authority or retailer for recycling advice

As our policy is one of continuous improvement and development, we hope therefore you will understand we must retain the right to amend details and/or specifications without prior notice.

DO005705/0