
INSTALLATION MANUAL GB/IE
INSTALLATIEHANDLEIDING NL/BE
MANUEL D'INSTALLATION FR/BE/LU/CH

KAMARA
7KW / 12KW / 16KW

Please retain this document carefully
Bewaar dit document zorgvuldig
Veillez conserver soigneusement ce document



DRU VERWARMING B.V.
HOLLAND





CONTENTS

Preface	2	6.1 Control panel.....	12
1. Introduction.....	2	6.2 Switching on the appliance for heating	12
2. CE declaration.....	2	6.3 Switching on the appliance for air circulation.....	12
3. SAFETY	3	6.4 Switching off the appliance.....	12
3.1 General	3	7. Final check.....	12
3.2 Regulations.....	3	7.1 Gastightness.....	12
3.3 Precautions/safety instructions during installation ...	3	7.2 Gas pressure / supply-pressure	13
4. Removing the packaging.....	3	7.3 Ignition burner	13
5. Installation	3	7.4 Flame picture.....	13
5.1 Regulations.....	4	7.5 Flue gas discharge / combustion air supply.....	13
5.2 Type of gas.....	4	8. Remove / replace the outer casing.....	13
5.3 Gas connection.....	4	9. Maintenance.....	13
5.4 Electrical connection	4	9.1 Performance	13
5.5 Wall-terminal and manifold.....	4	9.2 Replacing parts.....	13
5.6 Placing the appliance.....	8	10. Delivery	17
5.7 Flue gas discharge/combustion air supply system....	8	11. Troubleshooting guide	18
5.8 Connecting gas.....	11	Appendix 1 Parts included with the delivery.....	19
5.9 Converting to propane	11	Appendix 2 Electric wiring diagram	20
5.10 Connecting electrical equipment.....	11	Appendix 3 Technical data	21
6. Operating the appliance.....	12	Appendix 4 Parts	21

Preface

DRU, a manufacturer of gas heating appliances, develops and produces products that comply with the highest quality, performance and safety requirements.

This guarantees that the user will be able to enjoy using his product for many years to come.

This appliance has a CE marking, which means that it complies with the essential requirements of the European gas appliance directive.

As an installer, you must be competent in the field of gas heating.

Two manuals are supplied with the appliance: the installation manual and the user manual. The installation manual will give you the information you need to install the appliance in such a way that it will operate properly and safely.

This manual discusses the installation of the appliance and the regulations that apply to the installation. In addition, you will find technical data for the appliance and information on maintenance, any malfunctions that might occur and their possible causes.

Please carefully read and use this installation manual.

The following symbols are used in the manual to indicate important information:

- Work to be performed
- !Tip** Suggestions and recommendations
- !Caution** You will need these instructions to prevent problems that might occur during installation and/or use.



Caution *You need these instructions to prevent fire, personal injury or other serious damages.*

After delivery, you should give the user manual AND this installation manual to the user.

1. Introduction

The Power Flue is a closed gas heating appliance with a forced convection air flow and a forced flue gas discharge. The appliance can be supplied in 7 kW, 12 kW and 16 kW versions.

The appliance is always fixed against a wall of incombustible and heat-resistant material. The passage to the outside shall be made with the supplied wall terminal. When using the standard flue, the terminal will be placed in the same wall against which the appliance is placed.

It is possible to use an extended flue. This flue may have a maximum length of 10 meters for the 7kW and 12kW versions; for the 16kW version the extended flue can have a maximum length of 3 meters.

The extended flue can be placed at both the left and right side of the appliance. For this, special knock-outs have been placed at both sides, in the casing.

The components for the extended flue will be supplied by Drugasar upon request.

When supplied, the appliance is set for the use of natural gas (G20). Upon request, a conversion set for propane (G31) can be supplied.

2. CE declaration

We hereby declare that the design and construction of DRU's gas heating appliance comply with the essential requirements of the applicable EC directives.

This declaration will lose its validity if adjustments are made to the appliance, without prior written permission by DRU.

Product: gas heating appliance with forced convection air flow

Type: Power Flue

Applicable EEC directives:

90/396/EEC

2006/95/EC

89/336/EEC

Internal measures by the company guarantee that appliances produced in series comply with the essential requirements of the prevailing EEC directives and the standards derived from them.

M.J.M. Gelten
General manager
Dru verwarming B.V.
Postbus 1021, 6920 BA Duiven
Ratio 8, 6921 RW Duiven
www.dru.nl

3. Safety

3.1 General



- Caution** - Carefully read this chapter on safety, before you start performing installation or maintenance work;
- Please observe the general regulations and the precautions/safety instructions in this manual.

3.2 Regulations

- Please install the appliance, including the electrical installation, in accordance with the applicable national, local and constructional (installation) regulations. These are included in, for instance:
 - Gas Safety (Installation and Use) Regulations;
 - B.S. 6891;
 - B.S. 5871: Part 1;
 - B.S. 5440: Part 1;
 - B.S. 5440: Part 2;
 - Local Building Regulations;
 - I.E.E Wiring Regulations;
 - Health and Safety at work

3.3 Precautions / safety instructions during installation

Carefully observe the following precautions/safety regulations:

- you should only install and maintain the appliance if you are a competent installer in the field of gas heating;
- do not make any changes to the appliance;
- only use the flue gas discharge / combustion air supply material supplied by Drugasar;
- always place the appliance against a wall of incombustible and heat-resistant material;
- use the wall brackets when mounting the appliance to the wall. This will guarantee the minimum required distance of 10 mm from the back wall;
- make sure the appliance has sufficient distance from other objects and materials (see fig. 1). The free space surrounding the appliance is necessary for a proper and safe operation and for accessibility in case of maintenance;
- make sure there is a free outflow of warm convection air at the front of the appliance;
- make sure there is a free supply of cold convection air at both sides of the appliance; Curtains, for example, could block the inlet as a result of the sucking action of the convection fan.
- avoid warm convection air from recirculation through the cold convection air inlet;
- do not cover the appliance and the discharge material and/or do not wrap it in an insulation blanket or any other material;
- avoid dirt in gas tubes and connections;

- check the connections for gastightness before using the appliance;
- do not place and/or use the appliance in a moist environment;
- place an all-pole switch near the appliance, with a contact opening of at least 3 mm;
- connect the appliance to earth;
- place electrical connections in such a way that they are free from the appliance;
- do not ignite the appliance until it is fully installed.

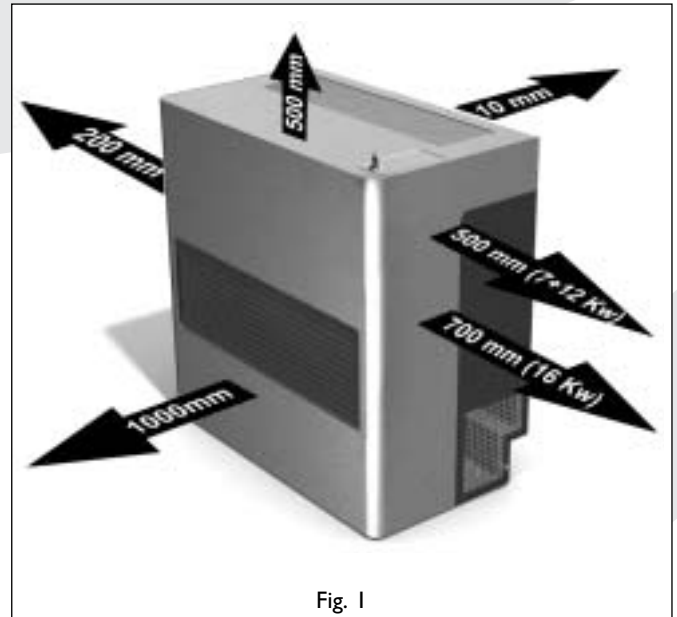


Fig. 1

4. Removing the packaging

Note the following items when removing the packaging:

- Check the appliance for damages during transport.
- If necessary, contact Drugasar Service.
- Check whether all parts have been supplied. In Appendix I you can see which parts you should have after removing the packaging.
- Contact Drugasar Service if you do not have all the parts after you finished removing the packaging.
- Dispose packaging in accordance with local regulations.

5. Installation

Read this manual carefully to ensure a proper and safe operation of the appliance.

!Caution Install the appliance in the order described in this chapter.

5.1 Regulations

- Please observe the applicable national, local and constructional (installation) regulations for both the appliance and the electric installation.
- Observe the regulations/instructions in this manual.

5.2 Type of gas

The type plate indicates for which type of gas, gas pressure and for which country this appliance is intended. The type plate can be found on the left side on the convection box. You can see it after removing the casing.

The appliance can be converted for usage with propane. The gas supply pressure should be at least 30 mbar. For conversion to propane, see section 5.10.

- Check whether the appliance is suitable for the type of gas and the gas pressure used at the location.

5.3 Gas connection



!Caution Avoid dirt in the gas tube and in the connections.

The following requirements apply to the gas connection:

- use a gas tube with the correct dimensions, so that no pressure loss can occur;
- the gas tap, if used, should have CE marking;
- you should always be able to reach the gas tap.

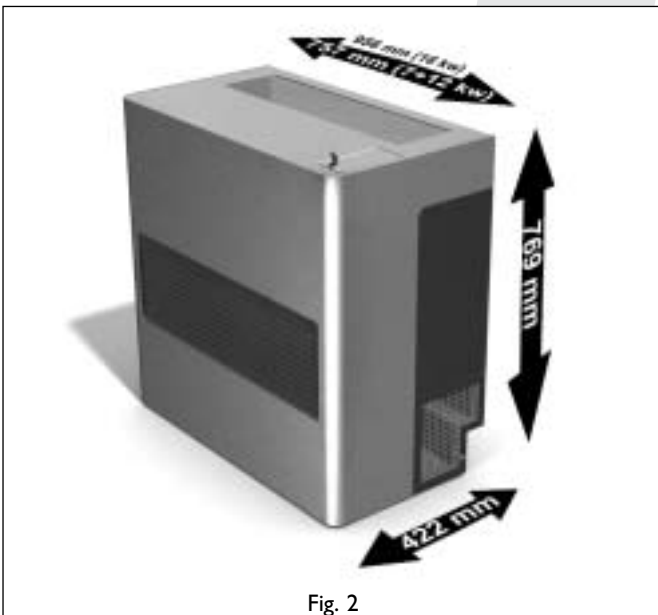


Fig. 2

5.4 electrical connection

The following requirements apply to the electrical connection:

- you must place an all-pole switch near the appliance, with a contact opening of at least 3 mm;
- the required electrical voltage is 230V/50Hz~; protected with 5A.

5.5 Wall-terminal and manifold

5.5.1 Position wall-terminal/manifold

Positioning of wall-terminal/manifold directly behind the appliance. (For further information see chapter 5.7.2)

- Determine the location of the appliance; the dimensions can be found in fig. 1 and 2.



!Caution - Make sure the appliance has sufficient distance from other objects and materials. The free space surrounding the appliance is necessary for a proper and safe operation and for accessibility in case of maintenance.

- Always place the appliance against a wall of incombustible and heat-resistant material.

!Tip The manifold has two combustion air supply connections, see chapter 5.5.2

!Tip Determine the position of the appliance and the connections by using the dimensions in fig. 3a and 3b.

For extended flue sample see fig. 8.

- Determine the location of the manifold/wall-terminal.

!Caution Use Table 2 to determine the allowed number of curves in combination with the length of the discharge system.



!Caution - The bends in the flexible flue gas discharge tube and the combustion air supply hose should be as smooth as possible, to keep the resistance as low as possible;

- The wall-terminal is suitable for walls with a thickness up to 400 mm; if necessary, Drugasar can supply a wall wall-terminal for walls with a thickness up to 900 mm;
- Take the requirements concerning the position of the wall-terminal in the outer wall into consideration, as indicated in section 5.5.1.1.
- See also chapter 5.7.3, for the extended flue option.

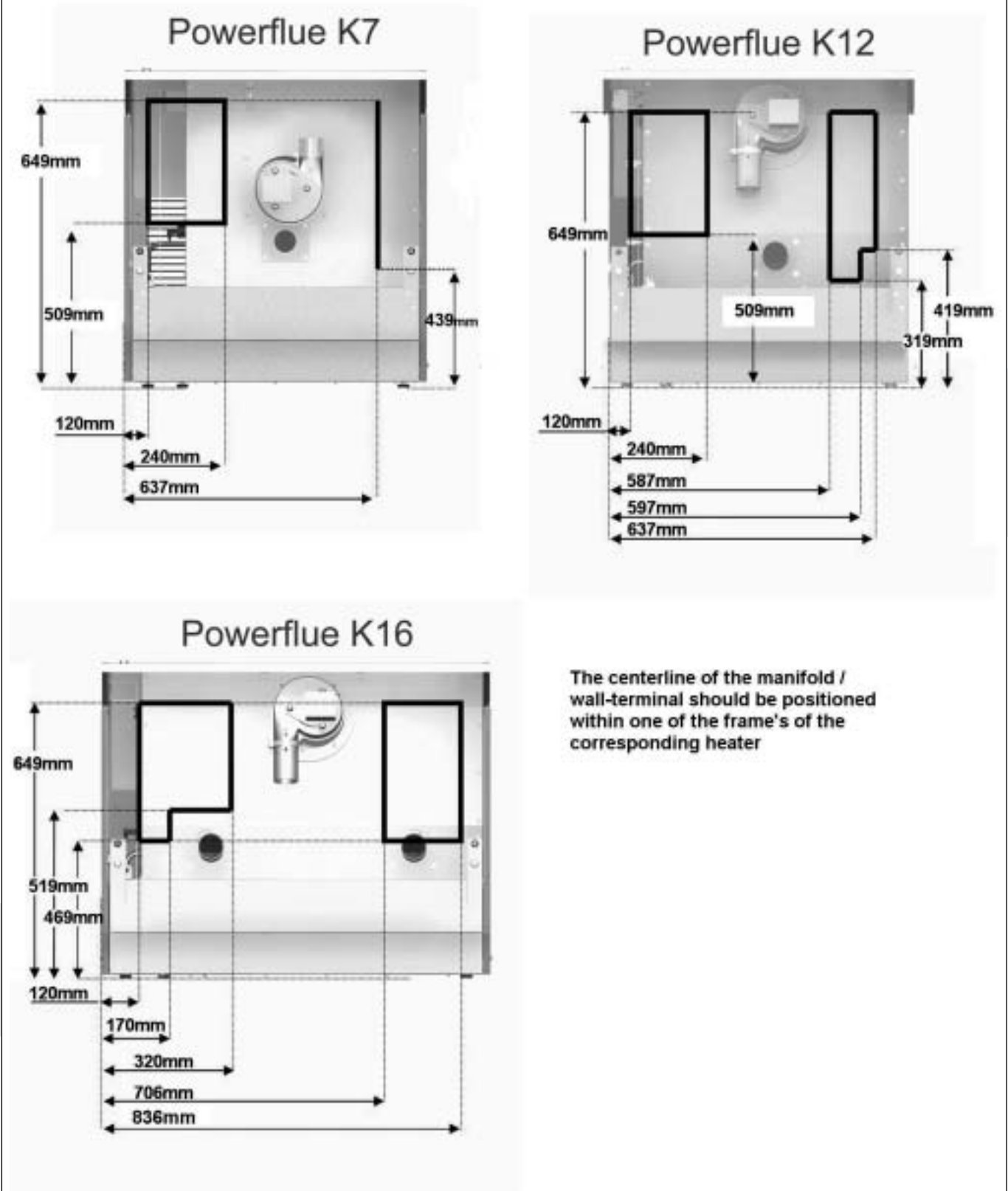


Fig. 3a

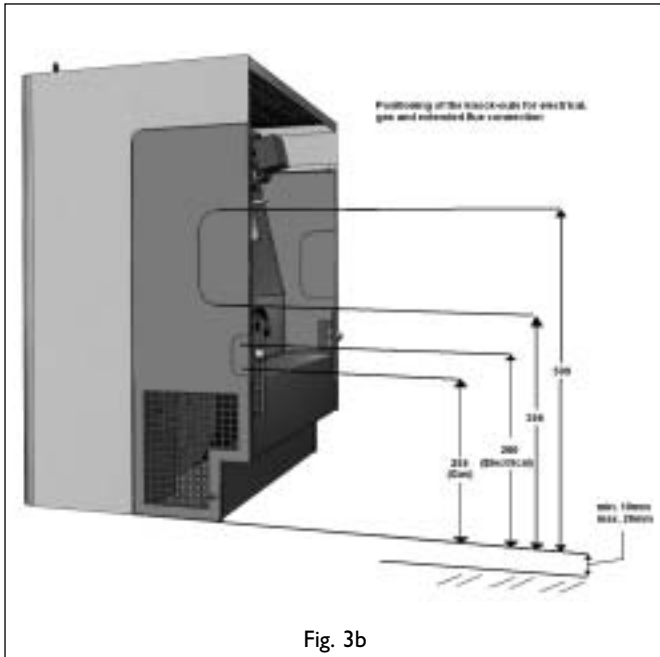


Fig. 3b

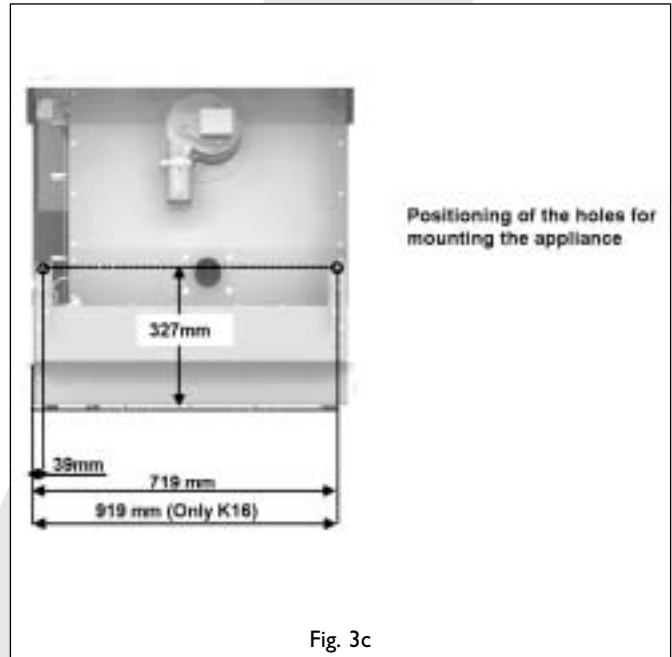
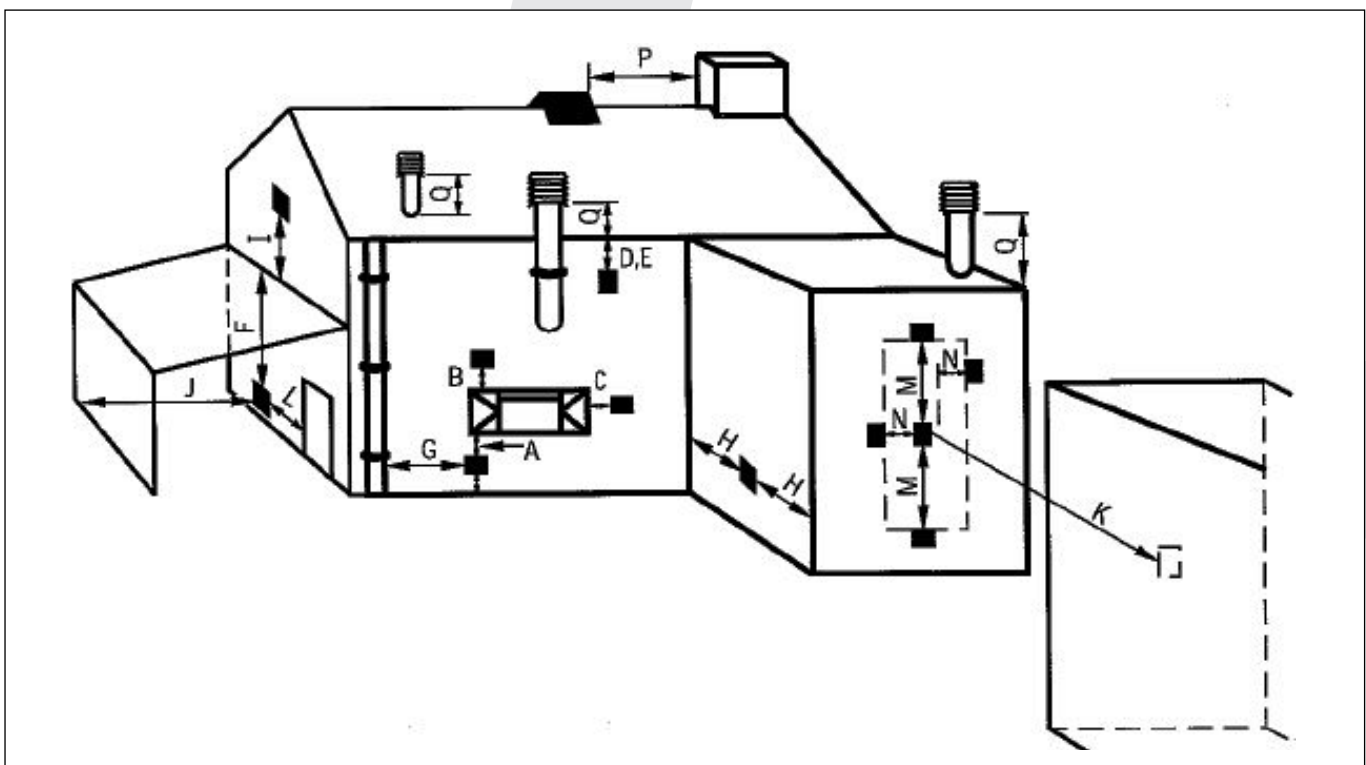


Fig. 3c

5.5.1.1 Position of wall-terminal in outside wall

The following diagram and related chart are broadly based around BS5440:Part 1:2000. For additional comments/ applications please refer to this BSI standard directly.



Minimum dimensions of flue wall-terminal positions						
Wall-terminal position			Balance flues room sealed		Open flues	
			Natural draught	Fanned draught	Natural draught	Fanned draught
A	* Directly below an opening, airbrick, window etc.	0-7kW >7-14kW >14-32kW >32-70kW	300 mm 600 mm 1500 mm 2000 mm	300 mm	<i>Not allowed</i>	300 mm
B	* Above an opening, airbrick, window etc.	0-7kW >7-14kW >14-32kW >32-70kW	300 mm 300 mm 300 mm 300 mm	300 mm	<i>Not allowed</i>	300 mm
C	* Horizontally to an opening, airbrick, window etc.	0-7kW >7-14kW >14-32kW >32-70kW	300 mm 400 mm 600 mm 600 mm	300 mm	<i>Not allowed</i>	300 mm
D	Below a gutter or sanitary tube if combustible material protected.		300 mm	75 mm	<i>Not allowed</i>	75 mm
E	Below eaves.		300 mm	200 mm	<i>Not allowed</i>	200 mm
F	Below balconies or open roofed out buildings.		600 mm	200 mm	<i>Not allowed</i>	200 mm
G	From a vertical drain or soil tube.		300 mm	150 mm	<i>Not allowed</i>	150 mm
H	From an internal or external corner.		600 mm	300 mm	<i>Not allowed</i>	200 mm
I	Above ground or balcony level.		300 mm	300 mm	<i>Not allowed</i>	300 mm
J	From a surface facing the wall-terminal.		600 mm	600 mm	N/A	600 mm
K	From another wall-terminal facing the wall-terminal.		600 mm	1200 mm	N/A	1200 mm
L	From an opening in the car port into a dwelling.		1200 mm	1200 mm	N/A	1200 mm
M	Vertically from a wall-terminal on the same wall.		1500 mm	1500 mm	N/A	1500 mm
N	Horizontally from a wall-terminal on the same wall.		300 mm	300 mm	N/A	300 mm
O	From a wall on which the wall-terminal is mounted.		N/A	N/A	N/A	50 mm
P	From a vertical structure on the roof.		N/A	N/A	600 mm	N/A
Q	Above intersection with roof.		N/A	N/A	600 mm	150 mm

Notes: N/A = NOT APPLICABLE * In addition, the wall-terminal should not be nearer than 150mm (fan draught) or 300mm (natural draught) to an opening in the building fabric formed for the purpose of accommodating a built-in element such as a window frame. Separation distances are linked to the rated heat inputs as shown.

5.5.2 Installation of wall-terminal and manifold

Follow the procedure below when installing the wall-terminal and manifold:

- Drill a hole in the wall, with a diameter of 105 mm.
- Drill 3 holes in the wall from the outside, for mounting the wall-terminal.

!Caution - Place the wall terminal with the groove/ folded seam at the top;

- Glue the sealing/gasket of the wall-terminal to the flange.
- Temporarily mount the wall-terminal from the outside.
- Slide the manifold from the inside as far as possible onto the concentric tubes of the wall-terminal.
- Determine the distance between manifold and wall.
- Unscrew the wall-terminal.
- Cut the wall-terminal to size.
- Mount the wall-terminal for the final time.
- Determine in which angle the manifold should be placed.
- Apply a sufficient amount of heat-resistant sealant to the outside of the galvanized steel combustion air supply tube.
- Apply a film of heat resistant sealant to the inside of the aluminium flue gas discharge tube.
- Place the sealing/gasket of the manifold between wall and manifold.

!Tip For the manifold, you can choose between two combustion air supply connections.

- Mount the manifold in the correct position.
- Drill 3 holes in the wall for mounting the manifold.
- Mount the manifold with the screws and washers supplied.
- If necessary, apply a wall-terminal guard.
- Place the wall-terminal guard centrally over the wall-terminal.

5.6 Placing the appliance

Place the appliance as follows:



- Caution** - Do not make any changes to the appliance;
- Do not cover the appliance and the discharge material and/or do not wrap it in an insulation blanket or any other material;
 - Mount the appliance to the wall using the wall brackets; this will guarantee the minimum required distance of 10 mm from the back wall;
 - Make sure there is a free outflow of warm convection air at the front of the appliance;
 - Make sure there is a free supply of cold convection air at both sides of the appliance. Curtains, for example, could block the inlet as a result of the sucking action of the convection fan.
 - Avoid that warm convection air can recirculate through the cold convection air inlet.

- !Tip**
- Prevent construction grid/drill material from contaminating the appliance;
 - Only mount the casing, after performing the final check in section 7.

- Provide a gas connection at the location. For details, see section 5.3.
- Provide an electrical connection at the location. For details, see section 5.4.
- Remove the casing:
 - Unscrew the screws at both sides of the casing (see fig. 4);
 - Lift the casing apprx. 1 cm and slide/lift the casing to the front.



Caution Avoid damaging the wiring when taking off the mantel.

- Place the appliance on its destined location.
- Drill holes for mounting the appliance.
- Attach the appliance to the wall, using the supplied plugs, washers and screws.

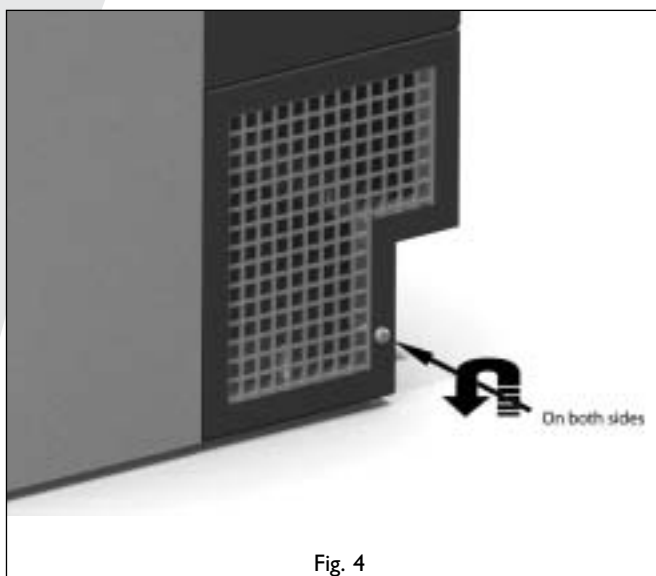


Fig. 4

5.7 Flue gas discharge / combustion air supply system

5.7.1 Construction

For the 7kW and 12kW Power Flue, the maximum length of the discharge tubes (vertical and horizontal) is 10 meters when using a maximum of 2 bends of 90°; when 3 bends of 90° will be used, the total maximum length of the discharge system is 6 meters, and when 4 bends of 90° will be used, the maximum length is 2 meters.

For the 16 kW Power Flue, the maximum length of the discharge tubes (vertical and horizontal) is 3 meters, with a maximum of 1 bend of 90°.

Depending on the construction, the appliance is set by means of a restriction.

For the 7kW version, the restrictor (supplied) is mounted on the combustion fan. Please note the restrictor is part of the venturi on the combustion fan.

For the 7kW Power Flue, the restriction is 22.5 mm when using natural gas and propane.

In Table 2 below, you can see the settings of the restriction in relation to the construction of the discharge system and the type of gas that is used

At the 12kW and 16kW versions, the restriction – if necessary – will be placed in the flue gas discharge connection of the manifold, with a heat-resistant sealant (see fig. 7).

At the 12kW Power Flue, a restriction is only required if the appliance is connected directly to the wall-terminal. When using natural gas, the restriction will be 36 mm, and when using propane 45 mm.

For the 16kW Power Flue, a 45 mm restriction is also only required in case of a direct connection to the wall-terminal. This value applies to the usage of both natural gas and propane.

Table 2: Relations between restriction, discharge system construction and type of gas

Type	Type of gas	Number of 90° bends	tube length (meter)	Restriction (mm)	Remarks
7kW	G20/G31	0	0	22,5	Direct connection to wall-terminal
		0	1-10	22,5	Restriction is a fixed part of venturi tube
		1	1-10	22,5	
		2	1-10	22,5	
		3	1-6	22,5	
		4	1-2	22,5	
12kW	G20	0	0	36	Direct connection to wall wall-terminal
		0	1-10	none	
		1	1-10	none	
		2	1-10	none	
		3	1-6	none	
		4	1-2	none	
	G31	0	0	45	Direct connection to wall-terminal
		0	1-10	none	
		1	1-10	none	
		2	1-10	none	
		3	1-6	none	
		4	1-2	none	
16kW	G20/G31	0	0	45	Direct connection to wall-terminal
		0	1-3	none	
		1	1-3	none	

5.7.2 Placing standard flue kit

!Caution Only use the standard flue kit supplied by Drugasar.

- !Caution**
- The cutting sides of the flexible combustion gas discharge tube are sharp;
 - The bends in the flexible flue gas discharge tube and the combustion air supply hose should be as smooth as possible, to keep the resistance as low as possible;
 - The 16kW Power Flue has 2 combustion air supply connections on the appliance. They should both be connected and be combined by means of a T-joint (see fig. 5).

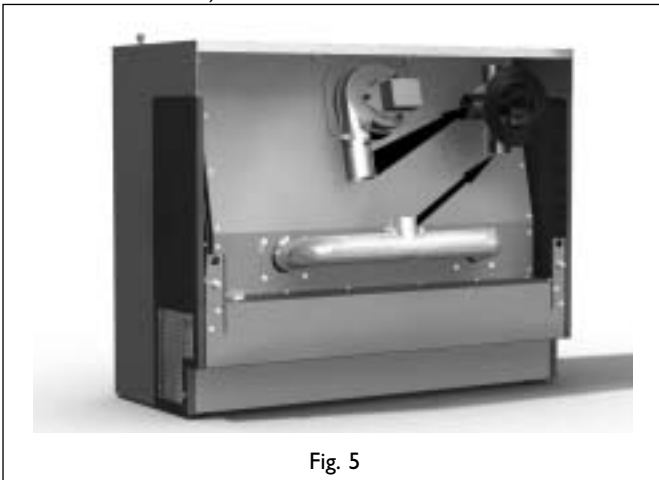


Fig. 5

Follow the steps below for mounting the standard flue kit:

- Make sure the flexible combustion gas discharge tube has the right dimensions
- On one side of the flexible combustion gas discharge tube, apply the heat-resistant sealant in the grooves on the inside.
- Add the hoseclamps
- Slide the flexible discharge tube onto the venturi tube that is connected to the combustion fan (see fig. 6).

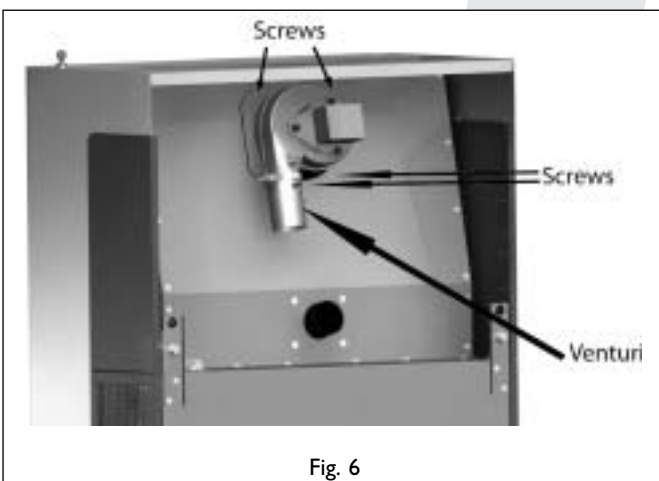


Fig. 6

- If necessary, attach the restriction in the flue gas discharge connection of the manifold with the supplied heat resistant sealant; see Table 2; see fig. 7.

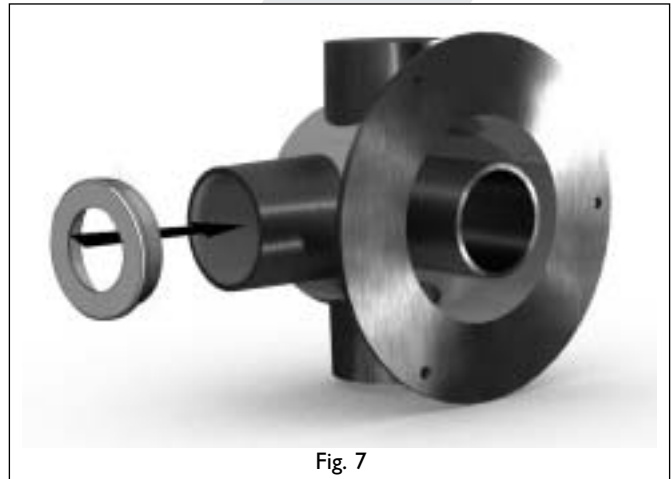


Fig. 7

- Connect the flexible flue tube to the manifold in the same way as described above.
- Fasten the hoseclamps.
- Make sure the flexible combustion air supply hose has the right dimensions.
- Connect this hose to the appliance and the manifold by using the supplied standard hose clamps.
- Seal the unused combustion air supply connection on the manifold using the supplied silicon plug.

5.7.3 Placing the extended flue

!Caution - Mount the flue tubes sloping towards the appliance.

- Place a condensate drain with U-trap in the rigid part of the discharge system, if the total length exceeds 3 meters;
- Install the condensate drain within a distance from the appliance of 3 meters, but preferably as close as possible to the appliance.

!Caution

- Connect rigid tube pieces/bends to the manifold. You may only use the flexible discharge tube/air supply hose on the appliance;
- Prevent construction grid/drill material from contaminating the appliance.

!Tip The extended flue can optionally be connected to the left or right side of the appliance.

Proceed as follows, when installing the extended flue (see fig. 8):

- Mount the required brackets for the rigid aluminium flue gas discharge tube and the rigid aluminium combustion air supply tube.
- See also fig. 3b for possible position of the tubes.
- Mount the tubes and any bends of rigid aluminium.
- Connect the flexible discharge tube/air supply hose as described above for the standard flue kit, section 5.7.2

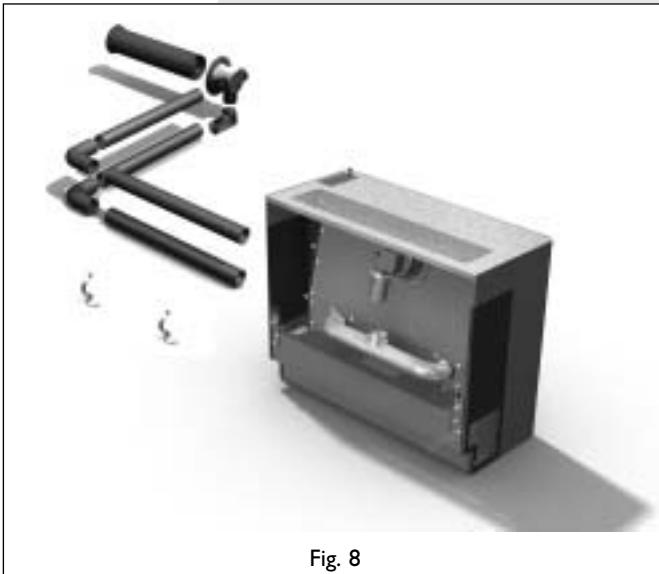


Fig. 8

5.8 Connecting gas

Use the following procedure when connecting the gas; for this, also see section 5.3, Gas connection:

!Tip The gas connection can optionally be connected to the left or right side of the appliance.

- If necessary, blow through the gas tube.
- Connect the gas tube with gas tap to the 15mm tube on the appliance.

!Caution Do not twist the gas tap when connecting the gas tube.

- Bleed the gas tube.

5.9 Converting to propane

If necessary, the appliance can be converted to use of propane.

For this, the injector has to be replaced and the burner pressure has to be adjusted.

Follow the procedure described below:



- !Caution**
- Close the gas tap;
 - Switch off the all-pole switch;
 - Remove the main fuse.

- Remove the ignition cap.
- Remove the sealing surrounding the electrode pen.
- Unscrew the 4 screws of the cover plates around the gas tube and ignition pen (see fig. 9).
- Remove the cover plates.
- Unscrew the brass union of the gas tube under the electrode pen.
- Unscrew the brass union of the gas tube on the gas control valve.

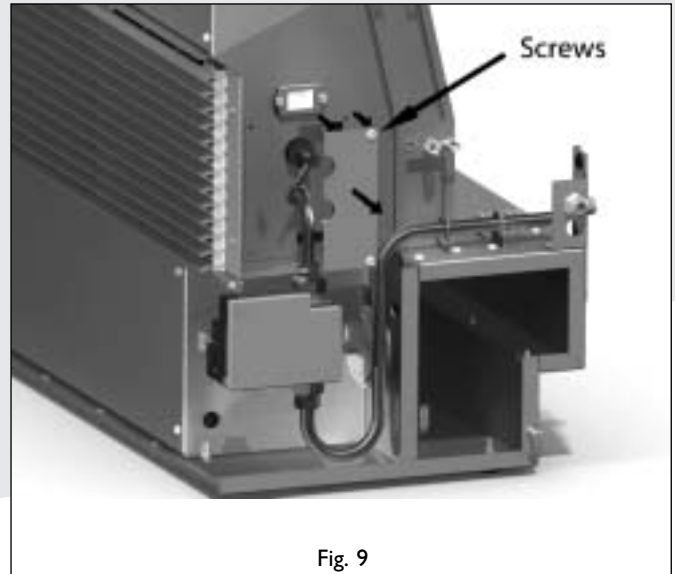


Fig. 9

!Caution Make sure the thread reducing bushes on the gas control valve do not rotate as well.

- Remove the gas tube from the appliance.
- Remove the injector holder.
- Replace the injector by the propane injector.
- Reassemble everything in opposite order.
- Adjust the burner pressure for propane, using the test point and the adjusting screw; see fig. 10. Appendix 3 contains the required gas pressure for the various versions of the appliance.

!Caution When checking/adjusting the burner pressure, the appliance should be in operation for at least 10 min.

!Tip The adjusting screw is located behind the cover screw.

5.10 Connecting electrical equipment



!Caution The appliance must be earthed.

!Tip The electrical connection can optionally be made at the left or right side of the appliance.

Standard, the appliance is designed for use of an external clock and/or thermostat through a 5 wire cable; for this, see the electrical diagram in appendix 2.

When the external clock and/or thermostat is not used, the relay can be bridged by connecting the contacts. Or connect 1 → N and 2 → L

- Connect the electric wiring in accordance to the diagram.

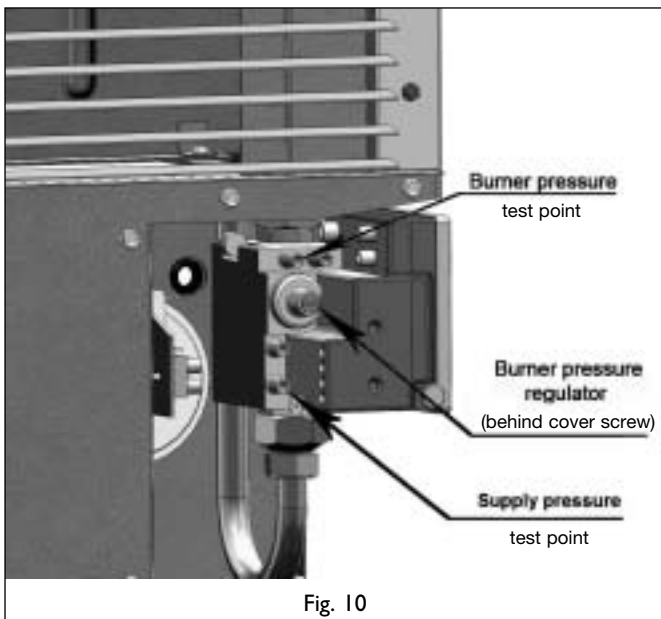


Fig. 10

6. Operating the appliance

6.1 Control panel

The control panel is located under the cover at the top of the appliance.

The cover is provided with a lock.

On the panel you will find (see fig. 11)

- a) summer/winter switch;
- b) thermostat;
- c) lock-out mode;
- d) reset button;
- e) fuse.

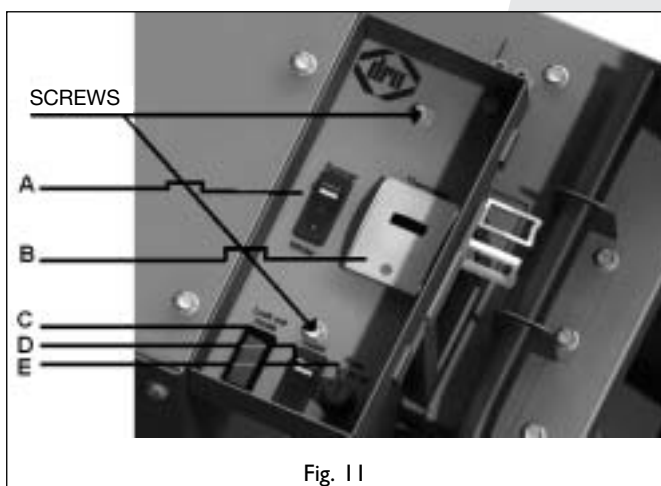


Fig. 11

sub a)
"0" position

In the position "0", the appliance is switched off

winter position

In the winter position, you have 2 options:

- 1) The appliance is controlled by an external clock and/or thermostat;

- 2) The appliance is only controlled by the internal thermostat.

summer position

In the summer position the appliance will operate independently from an external clock and/or thermostat. In this position, only convection air (= surrounding air) is circulated.

Sub b)

The (internal) thermostat can be set between 5 °C and 35 °C.

The green led of the thermostat will light if the appliance is switched on and the thermostat is "not requesting". The red led will light if the appliance is switched on and the thermostat is "requesting".

Sub c)

In case of a malfunction, the red lamp of the lock-out mode will light.

Sub d)

In case of a malfunction, the appliance can be reset by using the reset button.

6.2 Switching on the appliance for heating

- Set the external clock and/or thermostat, if present.
- Set the thermostat to the required temperature.
- Set the switch to the winter position.



Caution About approximately 30 seconds after igniting the burner, the convection fan should switch on. The louvre openings will release warm air.

6.3 Switching on the appliance for air circulation

- Set the switch to the summer position. The appliance will continuously circulate convection air (= surrounding air).

6.4 Switching off the appliance

- Set the switch to the "0" position.

7. Final check

To check that the appliance is operating correctly and safely, you must proceed as follows before the appliance is used.

7.1 Gastightness



Caution All connections must be gastight.

!Caution The supply pressure to the gas control valve cannot exceed 50 mbar.

- Check the connections for gastightness.
- Make the connections gastight, if necessary.

7.2 Gas pressure / supply-pressure

The burner pressure is set at the factory for the use of natural gas; see type plate. It is not necessary to check the burner pressure after installation.

The supply-pressure in house installations should be checked, as they can vary.



- !Caution**
- After conversion to propane, the burner pressure must be checked and if necessary adjusted.
 - After maintenance work the burner pressure must be checked, irrespective of whether you are using natural gas or propane, and adjusted if necessary.

Proceed as follows; see fig. 10:

- Check the supply-pressure.
- Contact the gas company if the supply-pressure is not correct.
- If necessary, check the burner pressure; see Appendix 3 for the required burner pressure.

!Caution When checking/adjusting the burner pressure, the appliance should be in operation for at least 10 min.

- Adjust the burner pressure, if necessary.

!Tip The adjusting screw is located behind the cover screw.

7.3 Ignition burner

For igniting the burner, see section 6.2.

!Caution After 5 ignition attempts, the appliance will enter the lock-out mode.

- Ignite the burner
- Check if the convection fan is working.
- See in Table 3, Diagnosis of malfunctions, if the convection fan does not work and/or the burner does not ignite.

7.4 Flame picture

- Check the flame picture.

If the flame picture is unacceptable, do the following:

- Check whether the flue gas discharge and/or air supply are blocked.
- If necessary, remedy the blockage.

7.5 Flue gas discharge / combustion air supply

- Check the flue gas discharge and the combustion air supply for gastightness.
- Check whether the flue gas discharge and/or combustion air supply are lying free from, for example, electrical wiring, the convection housing.
- If a failure occurs, correct it.

8. Remove / replace the outer casing

The casing is removed as follows:



!Caution Avoid damaging the wiring when taking off the casing.

- Take out the screws at both sides of the casing (see fig. 4);
- Lift the casing appr. 1 cm and slide/lift the casing to the front.

Replace in reverse order of the removal procedure.

!Tip If the casing is placed for the first time, the knock-outs concerned must be removed first.

!Caution Make sure that the locating bracket fall into the intended notches.

9. Maintenance

Once a year the appliance should be checked, cleaned and, if necessary, repaired by a competent installer in the field of gas heating.

Check that the appliance is operating correctly and safely.



- !Caution**
- Close the gas tap;
 - Switch off the all-pole switch;
 - Remove the main fuse during maintenance work;
 - Check the gastightness after repair.

9.1 Maintenance instructions

Perform maintenance work as described below:

- Remove the casing, see section 8.
- Clean the filters as follows:
 - Suck/blow the filter clean.
 - If the filter is not sufficiently clean, you must
 - Unscrew the 4 screws;
 - Remove the filter;
 - Flush the filter with water and clean it with a soft brush.
 - Perform the procedure above for both filters.
- Check the fans for contamination and clean, if necessary.
- Check if the fans are operating correctly and replace them if necessary; see section 9.2.
- Inspect the flue gas discharge / combustion air supply system and, if necessary, replace the flexible flue gas discharge tube.
- If necessary, clean the burner and the injector. For removing the burner, see section 9.2.1.
- Perform a check as described in chapter 7.

9.2 Replacing parts

Below you will see how the various parts can be replaced.

- Remove the casing, for this see section 8.

9.2.1 Burner

- !Caution** Only for Power Flue 7kW
- Remove the cover plate to the left on the convection housing; see fig. 12;
 - Unscrew the nut;
 - Remove the washer and the sealing ring.

For all appliances, continue as described below:

- Remove the ignition cap.
- Remove the sealing surrounding the electrode pen.
- Take out the 4 screws of the cover plates around the gas tube and the ignition pen (see fig. 9).
- Remove the cover plates.
- Unscrew the brass union of the gas tube under the ignition pen.
- Unscrew the brass union of the gas tube on the gas control valve.

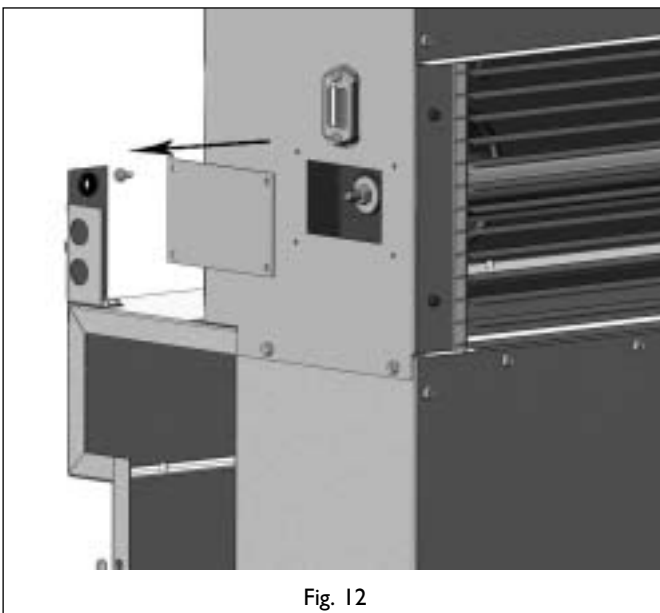


Fig. 12

- !Caution** Make sure the thread reducing bushes on the gas control valve do not rotate as well.

- Remove the gas tube from the appliance.
- Take out the 4 screws of the burner; see fig 13.
- Carefully remove the burner tube from the combustion chamber.
- Place the new burner in reverse order.

- !Caution** Only for Power Flue 12kW and 16 kW:
- Place the pin at the end of the burner tube on the V; see fig. 14;
 - Position the burner tube in such a way, that the pin drops in the hole.

- Check supply pressure.
- Check the burner pressure and, if necessary, adjust it as described in section 7.2

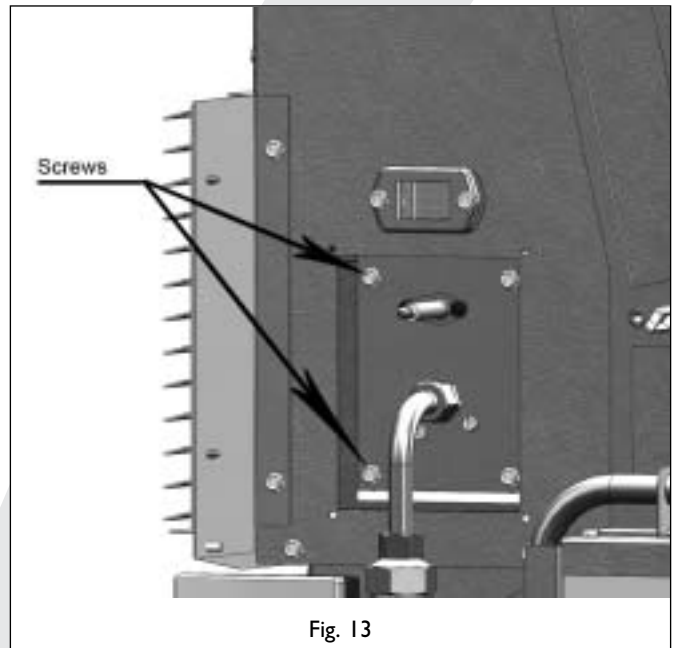


Fig. 13

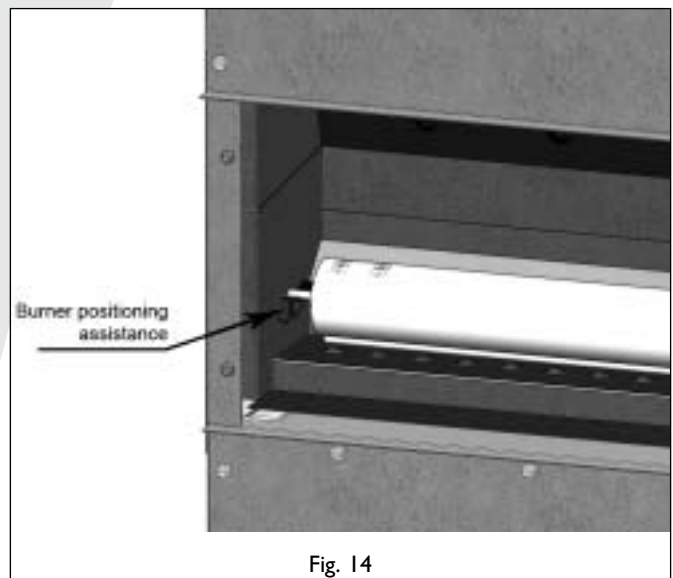


Fig. 14

9.2.2 Electrode pen

- Remove the ignition cap.
- Remove the sealing surrounding the electrode pen
- Take out the 4 screws of the cover plates around the gas tube and the electrode pen (see fig. 9).
- Remove the cover plates.
- Take out the 2 screws of the mounting plate.
- Remove the electrode pen.
- Place the new electrode pen in reverse order

9.2.3 Automatic ignition sequence

- Take out the 2 screws of the cover on the automatic ignition sequence (see fig. 15) (the upper screw is used to fix the automatic burner to the gas control valve; the lower screw fixes the cover)
- Remove the cover.
- Pull the 2 connectors out of the automatic ignition sequence (see fig. 16).

- Pull out the ignition cable.
- Remove the automatic ignition sequence by pulling it to the front side of the appliance.
- Place the new automatic ignition sequence in reverse order.

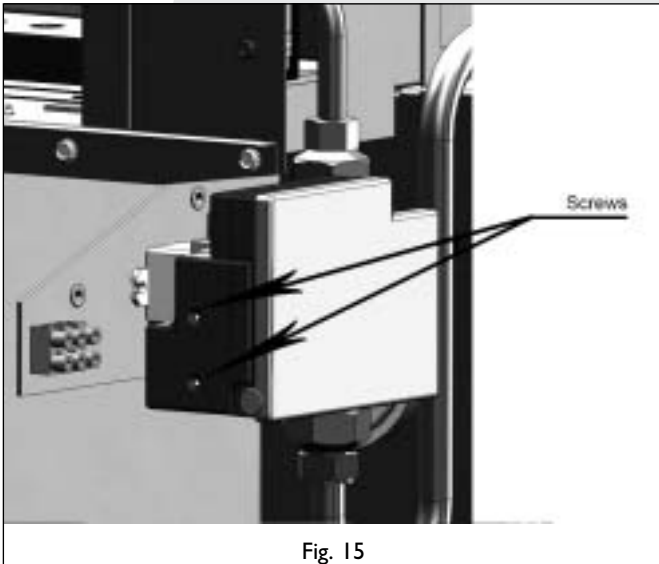


Fig. 15



Fig. 16

- !Caution**
- Place the automatic ignition sequence in such a way, that the connector is connected again;
 - Prevent wiring from getting stuck under the cover.

9.2.4 Gas control valve

- Remove the automatic ignition sequence, as described above in section 9.2.3.
- Remove the ignition cap.
- Remove the sealing surrounding the electrode pen
- Take out the 4 screws of the cover plates around the gas tube and the electrode pen (see fig. 9).
- Remove the cover plates.
- Unscrew the brass union of the gas tube under the electrode pen.
- Unscrew the brass union of the gas tube on the gas control valve.
- Disconnect the earth wire.
- Remove the gas control valve.
- Disconnect the thread reducing bushes (top and bottom side) from the gas control valve.
- Connect the thread reducing bushes to the new gas control valve.

!Caution Use new sealing rings when mounting the thread reducing bushes.

- Place the gas control valve in opposite order.
- Adjust the burner pressure as described in section 7.2
- Perform a final check as described in chapter 7

9.2.5 Convection fan

- On the appliance, disconnect the electric wiring of the convection fan (see fig. 17).
- Take out the screws from the lower cover plate at the front of the appliance.
- Remove this plate.
- Remove the electric cable from the cable clips.
- Take out the 4 socket cap screws that are used to mount the fan (see fig. 18).
- Remove the fan.
- Place the new fan in reverse order

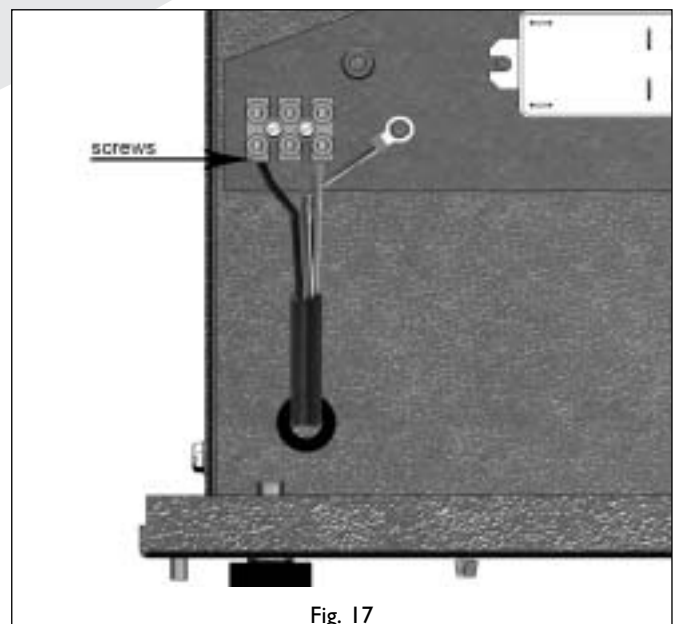


Fig. 17

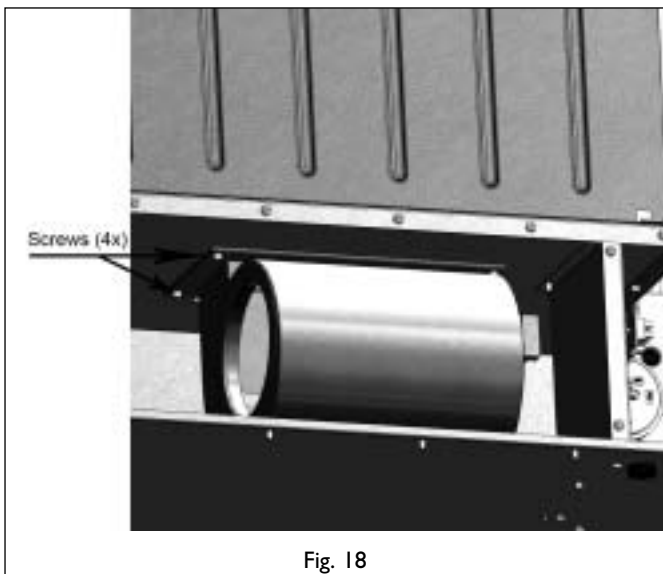


Fig. 18

9.2.6 Combustion fan

- Take out the clamp of the flexible flue gas discharge tube.
- Remove the flexible flue gas discharge tube.
- Take out the clamp that is used to mount the venturi tube on the fan.
- Remove the venturi tube.
- Disconnect the air hose from the fan (positive measuring point).
- Disconnect the electric wiring from the fan.
- Take out the 4 screws of the assembly plate (see fig. 6).
- Remove the fan assembly.
- Take out the 3 screws connecting the fan to the assembly plate.
- Remove the fan
- Place the new fan in reverse order.

- !Caution**
- Using new gaskets;
 - Fix the venturi tube using heat-resistant sealant and the clamp;
 - Also fix the flexible discharge tube using the sealant and the clamp;
 - Make sure that the wiring is lying free from the convection box and the fan house.

9.2.7 Temperature limit switch (maximum thermostat)

- Disconnect the fast-on connections of the electrical connection.
- Take out the 2 screws of the mounting plate (see fig. 19 of Power Flue 12/16kW).

- !Tip**
- Only for Power Flue 7kW:
- Take out the 2 screws on the control panel (see fig. 11);
 - Slightly lift the panel;
 - Take out the upper screw of the mounting plate.

- Remove the switch.
- Place the new switch in reverse order.

- !Caution** For the Power Flue 16kW, 2 distance bushes and a gasket are used.

9.2.8 Convection fan switch

- Disconnect the fast-on connections of the electrical connection.
- Take out the 2 screws on the mounting plate (see fig. 19);

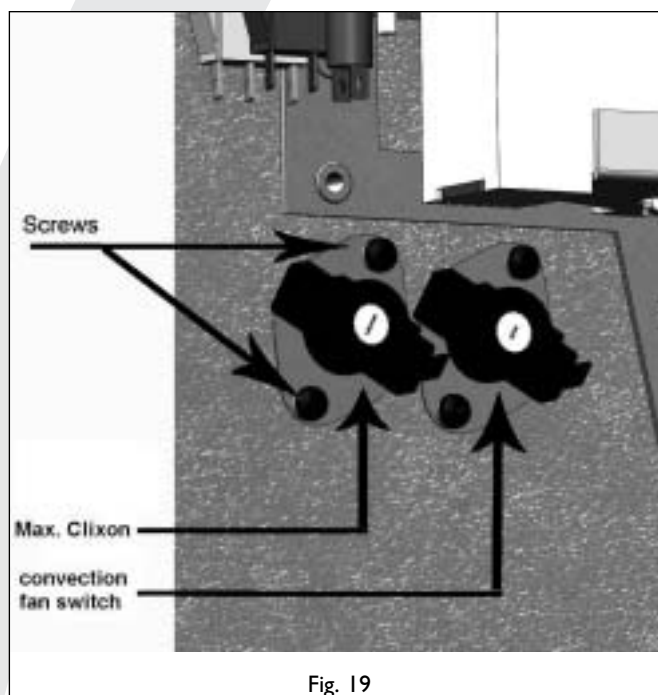


Fig. 19

- !Tip**
- Only for Power Flue 7kW:
- Take out the 2 screws on the control panel (see fig. 11);
 - Slightly lift the panel;
 - Take out the upper screw of the mounting plate.

- Remove the switch.
- Place the new switch in reverse order.

9.2.9 Thermostat

- Take out the 2 screws on the control panel (see fig. 11).
- Slightly lift the control panel.
- Remove the thermostat.
- Disconnect the wiring.
- Place the new thermostat in reverse order.

9.2.10 NTC temperature sensor

The temperature sensor is located in the convection air inlet, at the filter on the right side of the appliance.

- Take out the 2 screws on the control panel.
- Lift the control panel and slide it slightly to the side.
- Disconnect the wires of the temperature sensor on the thermostat.
- Remove the temperature sensor.
- Place the new temperature sensor in reverse order.

9.2.11 Air pressure switch

- Take out the screws.

!Tip You can reach the screws through the convection air inlet on the right side

- Disconnect the hoses.
- Disconnect the wiring.

!Caution

- Remember how the hoses are connected;
- Remember how the wiring is connected;
- The setpoint of the air pressure switch depends on the type of appliance.

- Remove the air pressure switch.
- Place the new air pressure switch in reverse order.

10. Delivery

You must explain the user how to operate the appliance. You should instruct the user on using the appliance for the first time, its operation and annual maintenance.



Caution

- Tell the user to close the gas tap immediately and switch off the all-pole switch in case of malfunctions/bad performance and contact the installer in order to prevent dangerous situations;
- Indicate the location of the gas tap;
- Indicate the location of the all-pole switch.

- Instruct the user on how the appliance works.
- Remind the user that the appliance requires annual maintenance.
- Give the user manual and installation manual to the user (the installation manual should be kept near the appliance).

11. MALFUNCTIONS

In the following table you will find an overview of malfunctions that might occur, the possible causes and the remedies.

Table 3 diagnosis of malfunctions

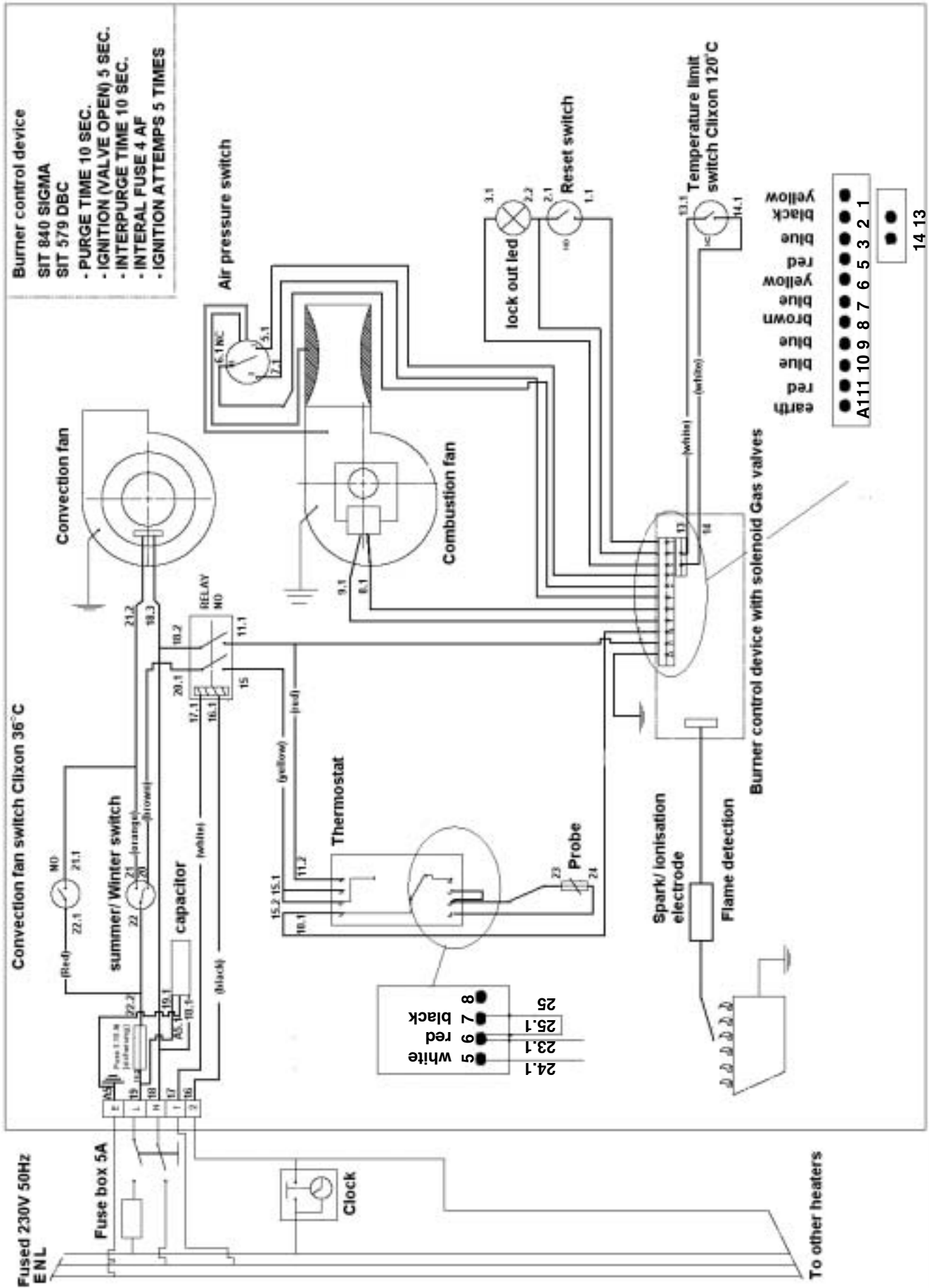
OBSERVED PROBLEM:	POSSIBLE CAUSE:	REMEDY:
A. Appliance does not react/work	<ol style="list-style-type: none"> 1. Clock not set properly 2. Thermostat set incorrectly 3. Summer / winter switch in incorrect position 4. All-pole switch switched off 5. Main fuse defective 6. Appliance fuse defective (on control panel) 	<ol style="list-style-type: none"> 1. Set clock properly 2. Set thermostat correctly 3. Set the switch in the correct position 4. Switch on the all-pole switch 5. - First find the cause of the defective fuse and remedy it - Then replace the main fuse 6. - First find the cause of the defective fuse and remedy it - Then replace the appliance fuse
B. Temperature limit switch (clixon 120 °C) interferes	<ol style="list-style-type: none"> 1. Very contaminated filters 2. Appliance overloaded 3. Convection air circuit blocked 4. Convection fan very dirty 5. Convection fan defective 	<ol style="list-style-type: none"> 1. Clean filters 2. Check burner pressure; If necessary, correct burner pressure 3. Check convection air circuit: If necessary, unblock it. 4. Clean fan 5. Replace fan
C. No gas	<ol style="list-style-type: none"> 1. Gas supply interrupted/stopped. 	<ol style="list-style-type: none"> 1. Check gas supply If necessary, repair gas supply
D. No ignition (spark)	<ol style="list-style-type: none"> 1. Ignition cable damaged 2. Electrode pen corroded 3. Air pressure switch does not function 4. Combustion gas fan very dirty 5. Flue gas discharge / combustion air supply system blocked 6. Electric connections incorrect 7. Gap electrode / burner too small or too big 	<ol style="list-style-type: none"> 1. Replace the ignition cable 2. Replace the electrode pen 3. Check connections air pressure switch: - Connect properly - If necessary, replace the air pressure switch 4. Replace fan 5. Unblock 6. Check the electric connections: improve connections where necessary Note: the automatic burner is phase sensitive 7. Gap between electrode and burner should be between 5 and 6 mm
	<ol style="list-style-type: none"> 7. Automatic burner defective 	<ol style="list-style-type: none"> 7. Replace automatic burner
E. Convection fan does not switch on	<ol style="list-style-type: none"> 1. Convection fan switch defective 2. Convection fan defective 	<ol style="list-style-type: none"> 1. Set summer / winter switch to summer position. If convection fan switches on: - Check and, if necessary, replace the wiring - If necessary, replace switch 2. Set summer / winter switch to summer position Convection fan also does not work in summer position: - Check and, if necessary, replace the wiring - If necessary, replace the fan
F. Burner ignites, but goes out in a few seconds	<ol style="list-style-type: none"> 1. Reversed polarity 2. Partial or complete flue blockage 	<ol style="list-style-type: none"> 1. Check if life and neutral are in the correct position, if necessary change 2. Check flue and terminal, if necessary remove blockage

Appendix 1 Parts included with the delivery

In the following table you can find the parts that are supplied with the appliance.

PART	K7	K12	K16	ORDERNR.
Installation manual	1x	1x	1x	95762501
User manual	1x	1x	1x	95762401
Sealant	1x	1x	1x	907918
Standard hose clamp 50-70mm	2x	2x	2x	806656
Hose clamp (64-67mm)	2x	2x	2x	806763
Screws	8x	8x	8x	519456
Plugs	8x	8x	8x	929964
Washers	2x	2x	2x	525015
Exhaust hose l=600 St. Steel	1x	1x	1x	24124
Air inlet hose L=600mm Alu	1x	1x	1x	24126
Cable gland	1x	1x	1x	806695
Wall-terminal	1x	1x	1x	24115
Manifold	1x	1x	1x	806643
Restriction only k12	n.a.	1x	n.a.	806646
Restriction only k16	n.a.	n.a.	1x	806647
Set of 2 lock keys	1x	1x	1x	806511
Silicon plug	1x	1x	1x	806818

Appendix 2 Electric wiring diagram



Appendix 3 Technical data

In the following table you can find the technical data.

POWER FLUE

Type		7kW		12kW		16kW	
Type of gas		G20	G31	G20	G31	G20	G31
Burner pressure	mbar	13.4	26	17.9	28.9	18.7	29
Nom. load (Hs)	kW	8.4	8.3	14.3	13.9	19.6	18.8
Nom. load (Hi)	kW	7.6	7.6	12.9	12.8	17.6	17.4
Nom. output	kW	7	7	12	11.8	16	15.7
Consumption	L/h	785	305	1360	517	1875	704
Burner injector	mm	2.25	1.55	2.7	1.9	3.15	2.25
Efficiency class		I	I	I	I	I	I

K7	230 - 240 Vac	50 Hz	Rated power 140 W	IP 20
K12	230 - 240 Vac	50 Hz	Rated power 140 W	IP 20
K16	230 - 240 Vac	50 Hz	Rated power 155 W	IP 20

Appendix 4 Parts

Parts can be ordered through www.drugasar.co.uk



INHOUD

Woord vooraf.....	24	6. Bedienen van het toestel	34
1. Inleiding.....	24	6.1 Bedieningspaneel.....	34
2. CE-verklaring.....	24	6.2 Toestel inschakelen voor verwarming	34
3. VEILIGHEID	25	6.3 Toestel inschakelen voor luchtcirculatie.....	34
3.1 Algemeen.....	25	6.4 Uitschakelen toestel	34
3.2 Voorschriften.....	25	7. Eindcontrole	34
3.3 Voorzorgsmaatregelen / veiligheidsinstructies bij installatie	25	7.1 Gasdichtheid	34
4. Uitpakken	25	7.2 Gasdruk / toevoerdruk.....	34
5. Installatie.....	26	7.3 Ontsteken van de brander.....	35
5.1 Voorschriften.....	26	7.4 Vlambeeld.....	35
5.2 Gassoort.....	26	7.5 Verbrandingsgasafvoer/verbrandingsluchttoevoer.....	35
5.3 Gasaansluiting.....	26	8. Buitenbehuizing verwijderen / vervangen.....	35
5.4 Elektrische aansluiting	26	9. Onderhoud	35
5.5 Geveldoorvoer en verdeelstuk.....	26	9.1 Aanwijzingen voor onderhoud.....	35
5.6 Plaatsen van het toestel.....	30	9.2 Onderdelen vervangen.....	35
5.7 Verbrandingsgasafvoer- / verbrandingsluchttoevoersysteem	30	10. Oplevering.....	39
5.8 Gas aansluiten	33	11. Storingen	40
5.9 Ombouwen naar propaan	33	Bijlage 1 Meegeleverde onderdelen.....	41
5.10 Elektrische apparatuur aansluiten.....	33	Bijlage 2 Schema elektrische bedrading	42
		Bijlage 3 Technische gegevens.....	43
		Bijlage 4 Onderdelen	43

Woord vooraf

Als fabrikant van gasverwarmingstoestellen ontwikkelt en produceert DRU producten volgens de hoogst mogelijke kwaliteits-, prestatie- en veiligheidseisen. De gebruiker kan hierdoor rekenen op jarenlang gebruiksplezier.

Dit toestel heeft een CE merk; het voldoet daarmee aan de essentiële eisen van de Europese Gastoestellenrichtlijn.

Als installateur dient u vakbekwaam te zijn op het gebied van gasverwarming.

Bij het toestel worden twee handleidingen geleverd: de installatiehandleiding en de gebruikershandleiding. De installatiehandleiding geeft u de informatie die u nodig hebt om het toestel zo te installeren dat het goed en veilig functioneert.

Deze handleiding schenkt aandacht aan de installatie van het toestel en de daarbij geldende voorschriften. Daarnaast treft u technische gegevens van het toestel aan en informatie over onderhoud, eventueel optredende storingen en de mogelijke oorzaak hiervan.

U dient deze installatiehandleiding zorgvuldig te lezen en te gebruiken.

In de handleidingen worden de volgende markeringen gebruikt om belangrijke informatie aan te geven:

- **!Tip** Uit te voeren acties
- Let op** Suggesties en adviezen
- Let op** Deze instructies zijn noodzakelijk ter voorkoming van mogelijke problemen bij installatie en/of gebruik.



Let op Deze instructies zijn noodzakelijk ter voorkoming van brand, persoonlijk letsel of andere ernstige schade.

Na oplevering dient u de gebruikershandleiding én deze installatiehandleiding te overhandigen aan de gebruiker.

1. Inleiding

De Power Flue is een gesloten gasverwarmingstoestel met een geforceerde convectieluchtstroom en met een geforceerde afvoer van de verbrandingsgassen. Het toestel wordt geleverd in een uitvoering van 7 kW, 12 kW en 16 kW. Het apparaat wordt altijd tegen een wand van onbrandbaar en hittebestendig materiaal geplaatst. De doorlaat naar buiten vindt plaats middels de geleverde geveldoorvoer. Bij toepassing van de standaardverbrandingsgasafvoer wordt de geveldoorvoer in dezelfde wand aangebracht waartegen het toestel is geplaatst. Het is mogelijk een verlengde verbrandingsgasafvoer te gebruiken. Deze mag maximaal 10 meter lang zijn voor de 7kW en de 12kW uitvoering; voor de 16kW versie mag de verlengde verbrandingsgasafvoer maximaal 3 meter lang zijn. De verlengde verbrandingsgasafvoer kan zowel aan de linker- als aan de rechterzijde van het toestel worden geplaatst. In de behuizing zijn hiervoor aan weerszijden speciale knock-outs aangebracht. De onderdelen voor de verlengde verbrandingsgasafvoer worden op verzoek door Drugasar geleverd. Het toestel is bij levering afgesteld voor gebruik van aardgas (G20). Op verzoek kan er een ombouwset worden geleverd voor propaan (G31).

2. CE-verklaring

CE-verklaring Hierbij verklaren wij dat het door DRU uitgebrachte gasverwarmingstoestel door zijn ontwerp en bouwwijze voldoet aan de essentiële eisen van de van toepassing zijnde EG-richtlijnen.

Deze verklaring verliest haar geldigheid als zonder schriftelijke toestemming van DRU wijzigingen aan het toestel worden aangebracht.

Product: gasverwarmingstoestel met geforceerde convectieluchtstroom

Type: Power Flue

Van toepassing zijnde Europese richtlijnen:

90/396/EEC

2006/95/EC

89/336/EEC

Door bedrijfsinterne maatregelen is gewaarborgd dat seriematig geproduceerde toestellen aan de essentiële eisen van de van kracht zijnde EG-richtlijnen en de daarvan afgeleide normen voldoen.

M.J.M. Gelten
Algemeen directeur
Dru verwarming B.V.
Postbus 1021, 6920 BA Duiven
Ratio 8, 6921 RW Duiven
www.dru.nl

3. Veiligheid

3.1 Algemeen



Let op - Lees dit hoofdstuk over veiligheid zorgvuldig door, voordat u begint met installatie- of onderhoudswerkzaamheden;

- Neem de algemene voorschriften en voorzorgsmaatregelen / veiligheidsinstructies in deze handleiding in acht;

- plaats en/of gebruik het toestel niet in een vochtige omgeving;
- plaats bij het toestel een hoofdschakelaar met een contactopening voor elke pool van ten minste 3 mm;
- sluit het toestel op aarde aan;
- zorg dat er geen elektriciteitskabels tegen het toestel hangen;
- ontsteek het toestel niet voordat het volledig is geïnstalleerd.

3.2 Voorschriften

- Installeer het toestel en de elektrische aansluitingen volgens de geldende nationale, lokale en bouwkundige (installatie)voorschriften. Deze zijn onder meer opgenomen in:
 - Gasveiligheid (Installatie en Gebruik) Voorschriften;
 - B.S. 689 I;
 - B.S. 587 I: Deel 1;
 - B.S. 5440: Deel 1;
 - B.S. 5440: Deel 2;
 - Plaatselijke Bouwvoorschriften;
 - I.E.E Bedradingsvoorschriften;
 - Arbowet

3.3 Voorzorgsmaatregelen / veiligheidsinstructies bij installatie

Volg de onderstaande voorzorgsmaatregelen / veiligheidsvoorschriften zorgvuldig op:

- installeer en onderhoud het toestel alleen als u een vakbekwame installateur op het gebied van gasverwarming bent;
- breng geen wijzigingen aan het toestel aan;
- gebruik uitsluitend het door Drugasar geleverde materiaal voor verbrandingsgasafvoer / verbrandingsluchttoevoer;
- plaats het toestel altijd tegen een wand van onbrandbaar en hittebestendig materiaal;
- gebruik de muurbeugels bij het bevestigen van het toestel aan de wand. Deze waarborgen de minimaal vereiste afstand van 10 mm vanaf de achterwand;
- zorg ervoor dat het toestel voldoende afstand heeft tot andere objecten en materialen (zie afb. 1). De vrije ruimte rond het toestel is nodig voor de goede en veilige werking en ook voor de toegankelijkheid bij onderhoud;
- zorg voor vrije uitstroom van warme convectielucht aan de voorzijde van het toestel;
- zorg ervoor dat er aan beide zijden van het toestel een vrije toevoer is van koude convectielucht. Gordijnen

- zouden b.v. door de aanzuigende werking van de convectieventilator de inlaat kunnen blokkeren;
- voorkom dat warme convectielucht recirculeert via de inlaat voor koude convectielucht;
- dek het toestel en het afvoermateriaal niet af en/of pak deze niet in met een isolatiedeken of enig ander materiaal;
- zorg dat alle gasleidingen en aansluitingen van binnen schoon zijn;
- controleer alle aansluitingen op gasdichtheid voordat u het toestel gaat gebruiken;
- plaats en/of gebruik het toestel niet in een vochtige omgeving;
- plaats bij het toestel een hoofdschakelaar met een contactopening voor elke pool van ten minste 3 mm;
- sluit het toestel op aarde aan;
- zorg dat er geen elektriciteitskabels tegen het toestel hangen;
- ontsteek het toestel niet voordat het volledig is geïnstalleerd.

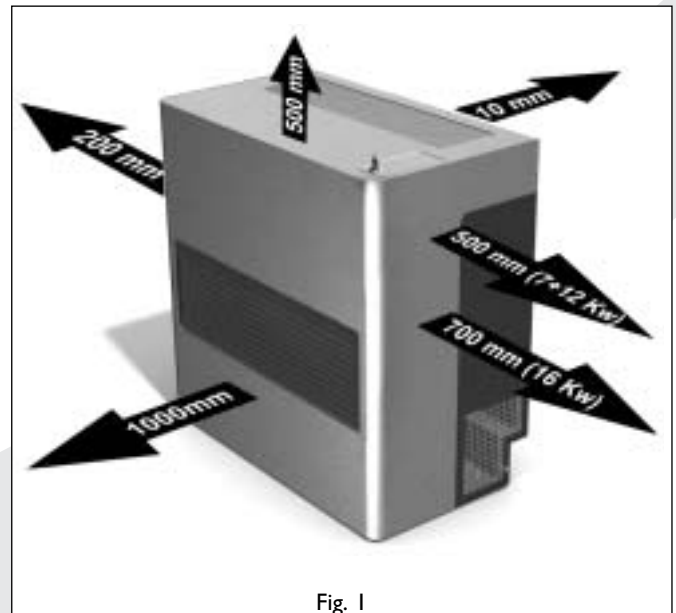


Fig. 1

4. Uitpakken

Schenk aandacht aan de onderstaande punten bij het uitpakken van het toestel:

- Controleer het toestel op transportschade.
- Neem, indien nodig, contact op met Drugasar Service.
- Controleer of alle onderdelen meegeleverd zijn. In Bijlage I ziet u over welke onderdelen u moet beschikken nadat u de verpakking hebt verwijderd.
- Neem contact op met Drugasar Service als u na het uitpakken niet over alle onderdelen beschikt.
- Voer de verpakking af via de reguliere weg.

5. Installatie

Lees de handleiding zorgvuldig door om een goede en veilige werking van het toestel te garanderen.

!Let op Installeer het toestel in de volgorde zoals in dit hoofdstuk is beschreven.

5.1 Voorschriften

- Neem altijd de geldende nationale, lokale en bouwkundige (installatie)voorschriften in acht, zowel voor het toestel als voor de elektrische installatie.
- Houdt u zich aan de voorschriften/instructies zoals vermeld in deze handleiding.

5.2 Gassoort

Gassoort Het typeplaatje geeft aan voor welk type gas, welke gasdruk en voor welk land dit toestel bestemd is. Het typeplaatje vindt u aan de linkerkant, op de convectiekast. Het is zichtbaar na verwijdering van de behuizing.

Het toestel kan worden omgebouwd naar propaan. De gasdruk dient minimaal 30 mbar te bedragen. Zie voor ombouw naar propaan, zie hoofdstuk 5.10.

- Controleer of het toestel geschikt is voor de gassoort en gasdruk ter plaatse.

5.3 Gasaansluiting

!Let op Avoid dirt in the gas tube and in the connections.

Voor de gasaansluiting gelden de volgende eisen:

- dimensioneer de gasleiding zodanig dat geen drukverlies kan optreden;
- de gaskraan, indien gebruikt, moet een CE-markering hebben;
- de gaskraan moet altijd bereikbaar zijn.

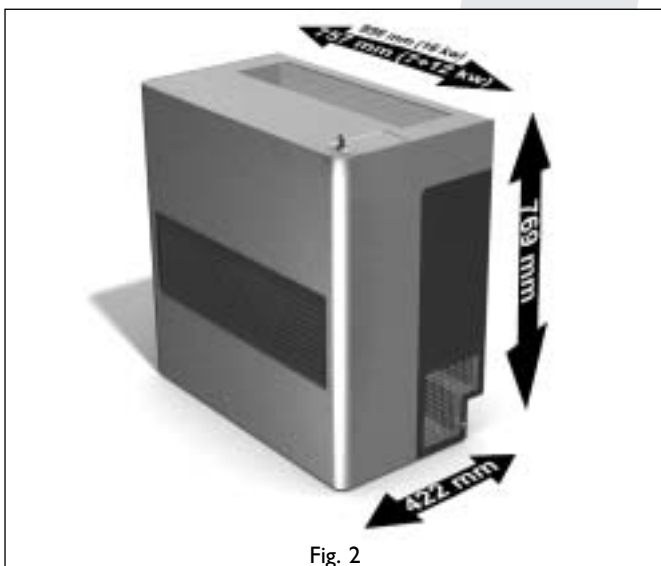


Fig. 2

5.4 Elektrische aansluiting

Voor de elektrische aansluiting gelden de volgende eisen:

- plaats bij het toestel een hoofdschakelaar met een contactopening voor elke pool van ten minste 3 mm;
- de vereiste elektrische spanning bedraagt 230V/50Hz~; gezekeerd met 5A.

5.5 Geveldoorvoer en verdeelstuk

5.5.1 Positie geveldoorvoer/verdeelstuk

Plaatsing van geveldoorvoer/verdeelstuk direct achter het toestel. (Voor meer informatie, zie hoofdstuk 5.7.2)

- Bepaal de plaats van het toestel; de afmetingen zijn aangegeven in afb. 1 en 2.



- !Let op** - Zorg ervoor dat het toestel voldoende afstand heeft van andere objecten en materialen. De vrije ruimte rond het toestel is nodig voor de goede en veilige werking en ook voor de toegankelijkheid bij onderhoud.
- Plaats het toestel tegen een wand van onbrandbaar en hittebestendig materiaal.

!Tip Het verdeelstuk heeft twee verbrandingsluchttoevoeraansluitingen, zie hoofdstuk 5.5.2!

!Tip Bepaal de positie van het toestel en de aansluitingen door gebruik te maken van de afmetingen in afb. 3a en 3b. Voor een voorbeeld van een verlengde verbrandingsgasafvoer, zie afb. 8

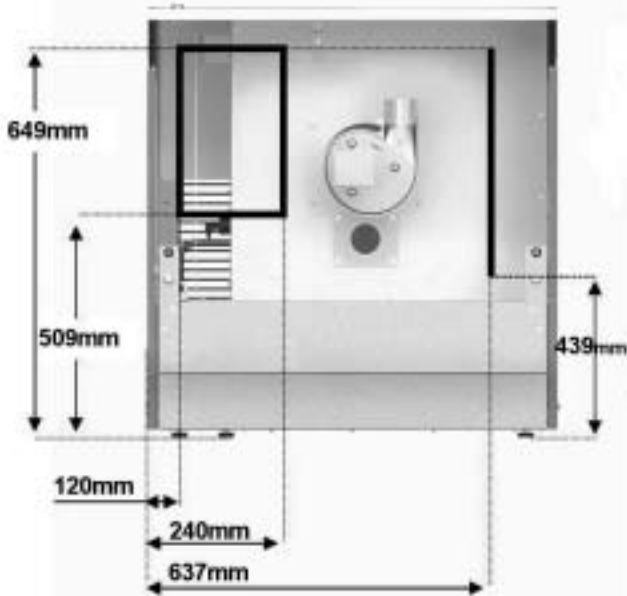
- Bepaal de locatie van verdeelstuk/geveldoorvoer.

!Let op Gebruik Tabel 2 om het aantal toegestane bochten vast te stellen in combinatie met de lengte van het afvoersysteem.

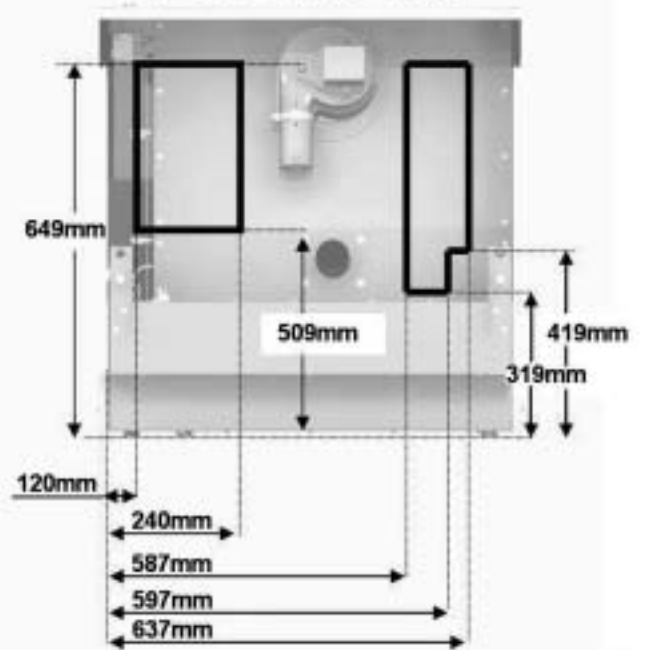


- !Let op** - Laat de bochten in de flexibele verbrandingsgasafvoerleiding en de verbrandingsluchttoevoerslang zo vloeiend mogelijk verlopen om de weerstand zo gering mogelijk te houden;
- De geveldoorvoer is geschikt voor muren met een dikte tot en met 400 mm; Drugasar kan zo nodig een geveldoorvoer voor muren met een dikte tot en met 900 mm leveren;
 - Houd rekening met de eisen m.b.t. de positie van de geveldoorvoer in de buitengevel, zoals aangegeven in hoofdstuk 5.5.1.1.
 - Zie ook hoofdstuk 5.7.3, voor de optie met verlengde verbrandingsgasafvoer.

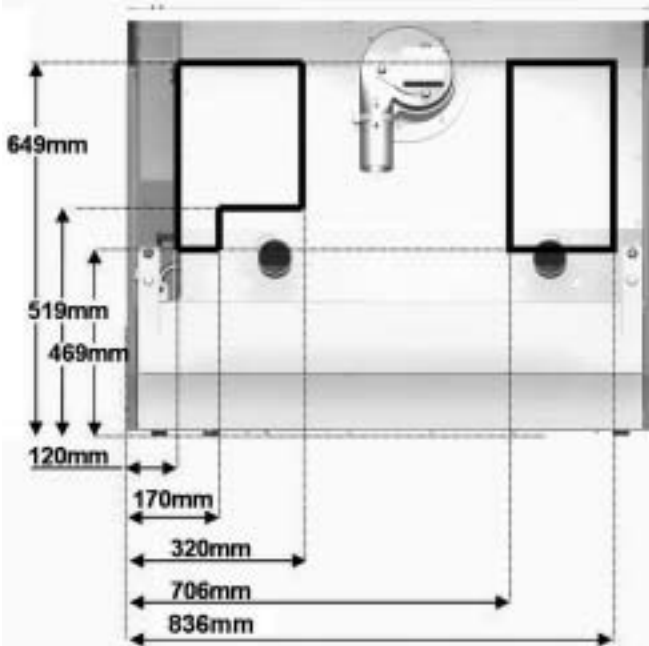
Powerflue K7



Powerflue K12



Powerflue K16



De middenlijn van het verdeelstuk/de geveldoorvoer moet worden geplaatst binnen een van de frames van de corresponderende verwarmers.

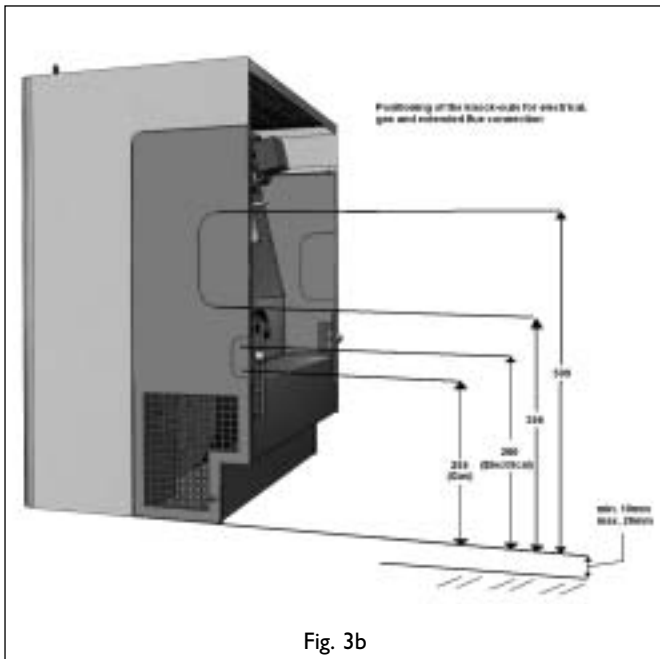


Fig. 3b

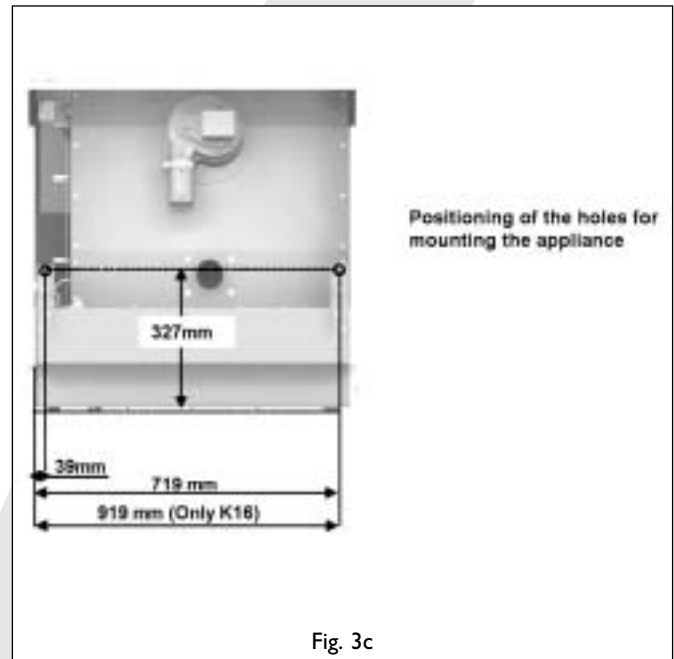
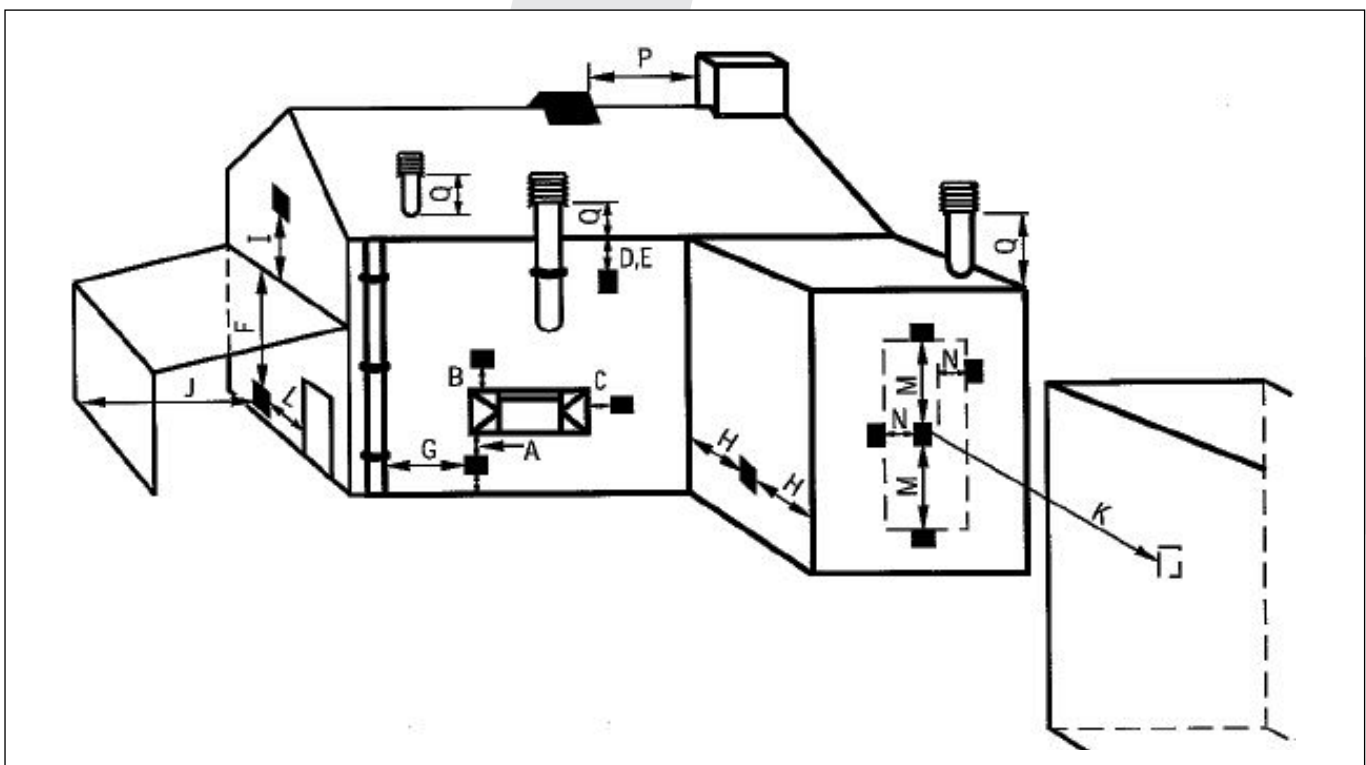


Fig. 3c

5.5.1.1 Positie geveldoorvoer in buitengevel.

Het onderstaande schema en de bijbehorende grafiek zijn ruwweg gebaseerd op BS5440:Deel 1:2000. Voor aanvullende opmerkingen/toepassingen moet u deze BSI-norm zelf raadplegen.



Minimale afmetingen posities geveldoorvoer voor verbrandingsgasafvoer						
Positie geveldoorvoer			Gesloten systeem met afgesloten ruimte		Open systeem	
			Natuurlijke trek	Geforceerde trek	Natuurlijke trek	Geforceerde trek
A	* Direct onder een opening, luchtsteen, raam etc.	0-7kW >7-14kW >14-32kW >32-70kW	300 mm 600 mm 1500 mm 2000 mm	300 mm	Niet toegestaan	300 mm
B	* Boven een opening, luchtsteen, raam etc.	0-7kW >7-14kW >14-32kW >32-70kW	300 mm 300 mm 300 mm 300 mm	300 mm	Niet toegestaan	300 mm
C	* Horizontaal t.o.v. een opening, luchtsteen, raam etc.	0-7kW >7-14kW >14-32kW >32-70kW	300 mm 400 mm 600 mm 600 mm	300 mm	Niet toegestaan	300 mm
D	Onder een goot of sanitaire leiding als brandbaar materiaal is afgeschermd.		300 mm	75 mm	Niet toegestaan	75 mm
E	Onder dakranden.		300 mm	200 mm	Niet toegestaan	200 mm
F	Onder balkons of vrijstaande gebouwen zonder afgewerkt plafond.		600 mm	200 mm	Niet toegestaan	200 mm
G	Vanaf een verticale afvoer of grondleiding.		300 mm	150 mm	Niet toegestaan	150 mm
H	Vanaf een interne of externe hoek.		600 mm	300 mm	Niet toegestaan	200 mm
I	Boven grond of balkonniveau.		300 mm	300 mm	Niet toegestaan	300 mm
J	Vanaf een oppervlak tegenover geveldoorvoer.		600 mm	600 mm	n.v.t.	600 mm
K	Vanaf een andere geveldoorvoer tegenover de geveldoorvoer.		600 mm	1200 mm	n.v.t.	1200 mm
L	Vanaf een opening in de carport naar een woning.		1200 mm	1200 mm	n.v.t.	1200 mm
M	Verticaal vanaf een geveldoorvoer aan dezelfde gevel.		1500 mm	1500 mm	n.v.t.	1500 mm
N	Horizontaal vanaf een geveldoorvoer aan dezelfde gevel.		300 mm	300 mm	n.v.t.	300 mm
O	Vanaf een gevel waaraan de geveldoorvoer is gemonteerd.		n.v.t.	n.v.t.	n.v.t.	50 mm
P	Vanaf een verticale constructie op het dak.		n.v.t.	n.v.t.	600 mm	n.v.t.
Q	Boven kruising met dak.		n.v.t.	n.v.t.	600 mm	150 mm

N.B.: n.v.t. = niet van toepassing * Bovendien, mag de geveldoorvoer niet dichters dan 150mm (geforceerde trek) of 300mm (natuurlijke trek) bij een opening in de gebouwconstructie worden aangebracht die bedoeld is voor een inbouwlement, zoals een raamkozijn. De vrije afstanden zijn gerelateerd aan de vermelde nominale warmtevermogens.

5.5.2 Installatie van geveldoorvoer en verdeelstuk

Ga bij het installeren van geveldoorvoer en verdeelstuk als volgt te werk:

- Boor een gat in de muur, met een diameter van 105 mm.
- Boor aan de buitenzijde van de muur 3 gaten, voor bevestiging van de geveldoorvoer.

!Let op - Plaats de geveldoorvoer met de ril/felsnaad aan de bovenkant;

- Plak de afdichting/pakking van de geveldoorvoer aan de flens.
- Bevestig de geveldoorvoer tijdelijk vanaf de buitenkant.
- Schuif het verdeelstuk vanaf de binnenzijde zo ver mogelijk op de concentrische pijpen van de geveldoorvoer.
- Bepaal de afstand tussen verdeelstuk en muur.
- Schroef de geveldoorvoer weer los.
- Zaag de geveldoorvoer op maat.
- Monteer de geveldoorvoer definitief.
- Bepaal onder welke hoek het verdeelstuk moet worden geplaatst.
- Breng een ruime hoeveelheid van het hittebestendige dichtingsproduct aan op de buitenkant van de verbrandingsluchttoevoerleiding van gegalvaniseerd staal.
- Breng een laagje hittebestendig dichtingsproduct aan op de binnenkant van de aluminium verbrandingsgasafvoerleiding.
- Plaats de afdichting/pakking van het verdeelstuk tussen muur en verdeelstuk.

!Tip U kunt bij het verdeelstuk uit twee aansluitingen voor de verbrandingsluchttoevoer kiezen.

- Breng het verdeelstuk aan in de juiste positie.
- Boor 3 gaten in de muur voor bevestiging van het verdeelstuk.
- Bevestig het verdeelstuk met de meegeleverde schroeven en sluitringen.
- Breng zo nodig een doorvoerbescherming aan.
- Plaats de doorvoerbescherming centraal over de geveldoorvoer.

5.6 Plaatsen van het toestel

Het plaatsen van het toestel gebeurt als volgt:



- !Let op**
- Breng geen wijzigingen aan het toestel aan;
 - Dek het toestel en de afvoeren niet af en/of pak deze niet in met een isolatiedeken of enig ander materiaal;
 - Bevestig het toestel aan de wand met behulp van de muurbeugels;
 - dit waarborgt de minimaal vereiste afstand van 10 mm vanaf de achterwand;
 - Zorg voor vrije uitstroom van warme convectielucht aan de voorzijde van het toestel;
 - Zorg voor vrije toevoer van koude

convectielucht aan beide zijden van het toestel. Gordijnen zouden b.v. door de aanzuigende werking van de convectieventilator de inlaat kunnen blokkeren;

- Voorkom dat warme convectielucht recirculeert via de inlaat voor koude convectielucht.

!Tip

- Voorkom dat bouwgruis/boorstof het toestel vervuilt;
- Monteer de behuizing pas nadat de laatste controle in hoofdstuk 7 is verricht.

- Zorg voor een gasaansluiting op de locatie. Raadpleeg voor meer details hoofdstuk 5.3.
- Zorg voor een elektriciteitsaansluiting op de locatie. Raadpleeg voor meer details hoofdstuk 5.4.
- Verwijder de behuizing:
 - Draai de schroeven aan weerszijden van de behuizing los (zie Afb. 4);
 - Til de behuizing ca. 1 cm omhoog en schuif/til de behuizing naar voren.



!Let op Beschadig de bedrading niet bij het verwijderen van de behuizing.

- Zet het toestel op de bestemde plek.
- Boor gaten voor de bevestiging van het toestel.
- Bevestig het toestel aan de muur, met de geleverde pluggen, afdichtringen en schroeven.

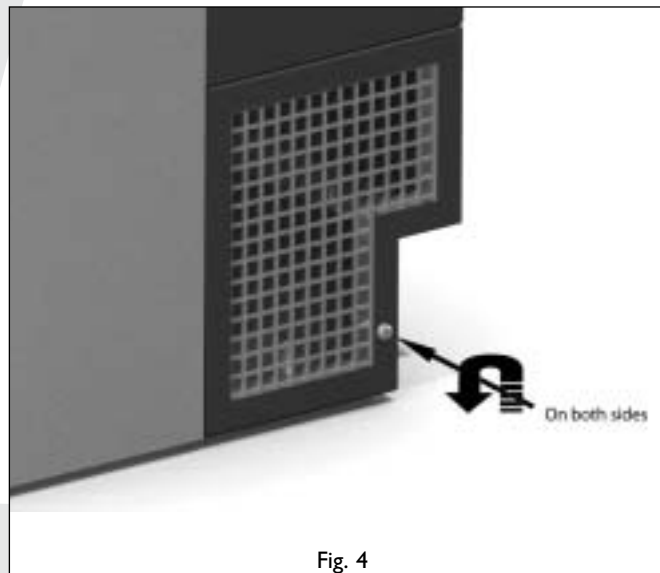


Fig. 4

5.7 Verbrandingsgasafvoer- / verbrandingsluchttoevoersysteem

5.7.1 Constructie

Voor de Power Flue van 7kW en 12kW is de maximale lengte van de afvoerpijpen (verticaal en horizontaal) 10 meter bij gebruik van maximaal 2 bochten van 90°; wanneer er 3 bochten van 90° worden toegepast, bedraagt de totale lengte van het afvoersysteem maximaal 6 meter

en bij toepassing van 4 bochten van 90° is de lengte maximaal 2 meter.

Voor de Power Flue van 16kW is de maximale lengte van de afvoerpijpen (verticaal en horizontaal) 3 meter, met maximaal 1 bocht van 90°.

Afhankelijk van de uitvoering moet het toestel worden afgesteld met behulp van een restrictie.

Bij de 7kW uitvoering is de (geleverde) restrictie op de verbrandingsventilator bevestigd. Denk erom dat de restrictie onderdeel is van de venturi op de verbrandingsventilator.

Voor de Power Flue 7kW bedraagt de restrictie 22,5 mm bij toepassing van aardgas en propaan.

In Tabel 2 hieronder, ziet u de vereiste instellingen van de restrictie afhankelijk van de opbouw van het afvoersysteem en het type gas dat wordt gebruikt. Bij de 12kW en 16kW versie wordt de restrictie zo nodig in de verbrandingsgasafvoerverbinding van het verdeelstuk aangebracht, met hittebestendig dichtingsproduct. (zie afb. 7).

Bij de Power Flue 12kW is alleen een restrictie nodig als het toestel direct op de geveldoorvoer wordt aangesloten. Bij toepassing van aardgas is de restrictie 36 mm en bij propaan 45 mm.

Bij de Power Flue 16kW, is een restrictie van 45 mm alleen nodig in het geval van een directe verbinding met de geveldoorvoer. Deze waarde geldt voor het gebruik van zowel aardgas als propaan.

Table 2: Relatie tussen restrictie, afvoersysteemconstructie en gassoort

Type	Gassoort	Aantal bochten van 90°	Buislengte (meter)	Restrictie (mm)	Opmerkingen	
7kW	G20/G31	0	0	22,5	Directe aansluiting op geveldoorvoer	
		0	1-10	22,5	Restrictie is vast onderdeel van venturibuis	
		1	1-10	22,5		
		2	1-10	22,5		
		3	1-6	22,5		
		4	1-2	22,5		
12kW	G20	0	0	36	Directe aansluiting op geveldoorvoer	
		0	1-10	geen		
		1	1-10	geen		
		2	1-10	geen		
		3	1-6	geen		
		4	1-2	geen		
		G31	0	0	45	Directe aansluiting op geveldoorvoer
			0	1-10	geen	
			1	1-10	geen	
			2	1-10	geen	
			3	1-6	geen	
16kW G20/G31		0	0	45	Directe aansluiting op geveldoorvoer	
		0	1-3	geen		
		1	1-3	geen		

5.7.2 Plaatsen standaard verbrandingsgasafvoerset



Let op Gebruik uitsluitend de door Drugasar geleverde standaard verbrandingsgasafvoerset.

!Let op

- De snijranden van de flexibele verbrandingsgasafvoerleiding zijn scherp;
- Laat de bochten in de flexibele verbrandingsgasafvoerleiding en de verbrandingsluchttoevoerslang zo vloeiend mogelijk verlopen om de weerstand zo gering mogelijk te houden;
- De Power Flue 16kW heeft 2 verbrandingsluchttoevoeraansluitingen op het toestel. Deze dienen beide te worden aangesloten en via een T-stuk te worden gecombineerd (zie Afb. 5).

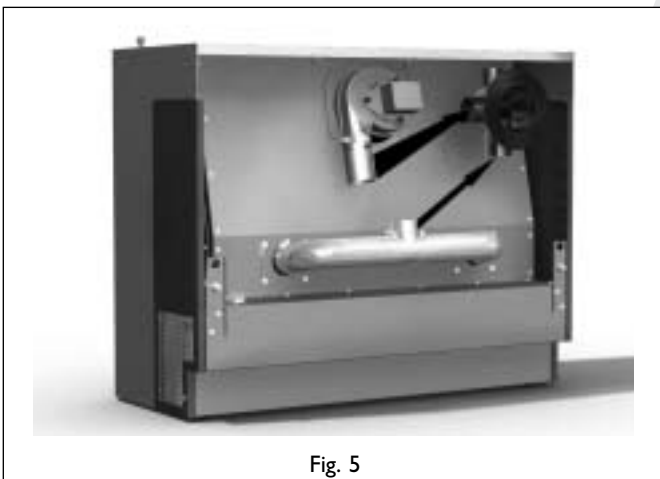


Fig. 5

Volg de onderstaande stappen bij het aanbrengen van de standaard verbrandingsgasafvoerset:

- Maak de flexibele verbrandingsgasafvoerleiding op maat
- Breng aan één kant van de flexibele verbrandingsgasafvoerleiding het hittebestendige dichtingsproduct aan in de rillen aan de binnenzijde.

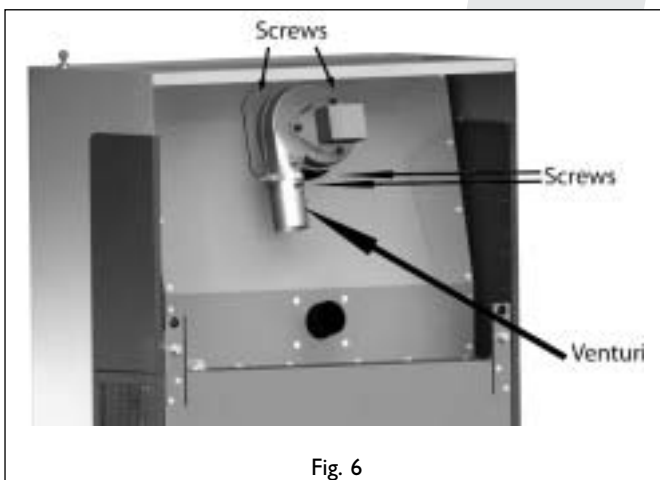


Fig. 6

- Breng de slangklemmen aan
- Schuif de flexibele afvoerleiding op de venturi-buis die op de verbrandingsventilator is bevestigd (zie Afb. 6).

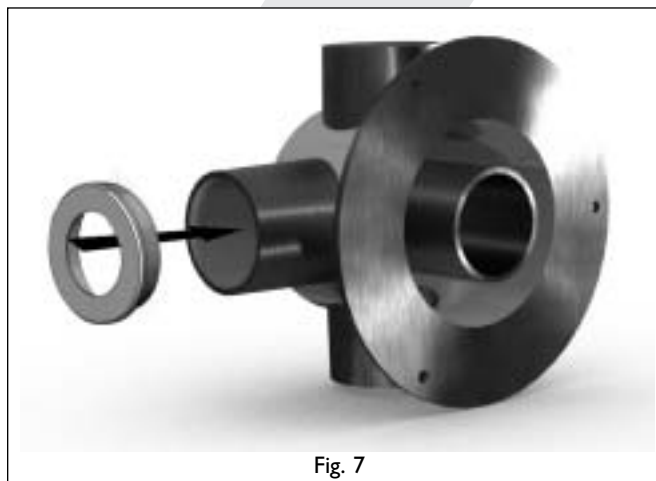


Fig. 7

- Volg voor het aansluiten van de flexibele verbrandingsleiding op het verdeelstuk dezelfde werkwijze.
- Maak de slangklemmen vast.
- Maak de flexibele verbrandingsluchttoevoerslang op maat.
- Sluit deze slang aan op het toestel en op het verdeelstuk met behulp van de meegeleverde slangklemmen.
- Dicht de ongebruikte verbrandingsluchttoevoeraansluiting op het verdeelstuk af met behulp van de geleverde siliconenplug.

5.7.3 Verlengde verbrandingsgasafvoer plaatsen



- Let op**
- Monteer de verbrandingsgasbuizen zodanig dat zij naar het toestel toe aflopen.
 - Plaats een condensaatafvoer met zwanenhals in het starre gedeelte van het afvoersysteem als de totale lengte meer dan 3 meter bedraagt;
 - Installeer de condensaatafvoer binnen 3 meter van het toestel, maar bij voorkeur zo dicht mogelijk bij het toestel.

!Let op

- Sluit starre leidingstukken/bochten aan op het verdeelstuk. U mag de flexibele afvoerleiding / luchttoevoerslang alleen op het toestel gebruiken;
- Voorkom dat bouwgruis/boorstof het toestel vervuult.

!Tip

De verlengde verbrandingsgasafvoer kan zowel links als rechts van het toestel worden geplaatst.

Ga als volgt te werk bij het installeren van de verlengde verbrandingsgasafvoer (zie Afb. 8):

- Monteer de benodigde beugels voor de starre aluminium verbrandingsgasafvoerleiding én de starre aluminium verbrandingsluchttoevoerleiding.
- Zie ook Afb. 3b voor de mogelijke posities van de leidingen.
- Monteer de leidingen en alle bochten van star aluminium.
- Sluit de flexibele afvoerleiding/luchttoevoerslang aan zoals hierboven is beschreven bij de standaard verbrandingsgasafvoerset, zie hoofdstuk 5.7.2

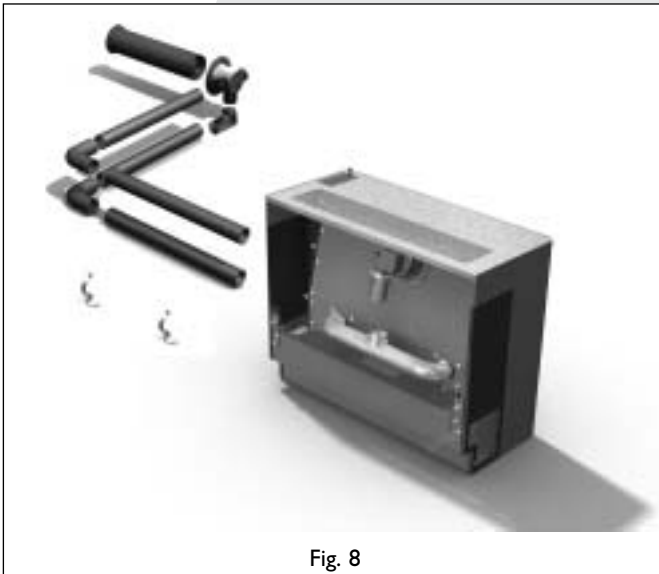


Fig. 8

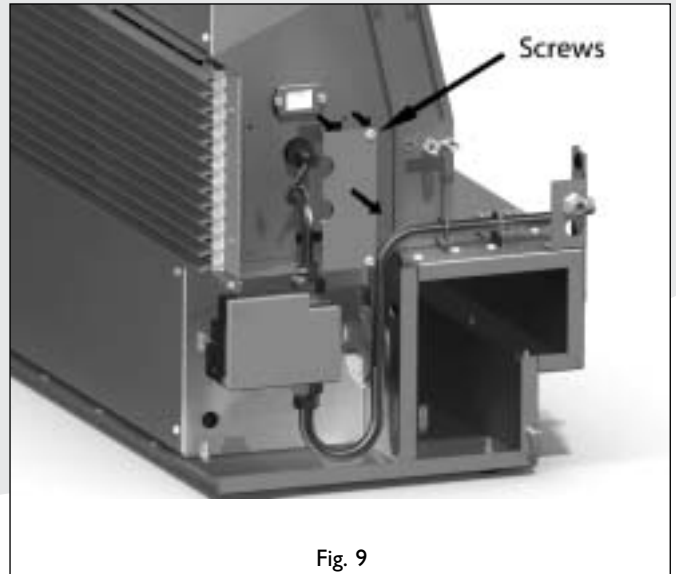


Fig. 9

5.8 Gas aansluiten

Ga voor het aansluiten van het gas als volgt te werk; zie hiervoor ook hoofdstuk 5.3, Gasaansluiting:

!Tip De gasaansluiting kan zowel aan de linker- als aan de rechterzijkant van het toestel worden aangesloten.

- Blaas, indien nodig, de gasleiding door.
- Sluit de gasleiding met gaskraan aan op de leiding van 15mm op het toestel.

!Let op Verdraai de gaskraan niet bij het aansluiten van de gasleiding.

- Ontlucht de gasleiding.

5.9 Ombouwen naar propaan

Zo nodig kan het toestel worden omgebouwd voor gebruik van propaan.

Hiertoe dient het spuitstuk te worden vervangen en moet de branderdruk worden aangepast.

Ga hierbij als volgt te werk:



- !Let op**
- Sluit de gaskraan;
 - Schakel de hoofdschakelaar uit;
 - Verwijder de hoofdzekering.

- Verwijder de ontstekingsdop.
- Verwijder de afdichting rond de elektroden.
- Draai de 4 schroeven los van de afdekplaatjes die om de gasleiding en ontstekingspen zitten (zie Afb. 9).
- Verwijder de afdekplaatjes.
- Draai de messing koppeling van de gasleiding onder de elektroden los.
- Draai de messing koppeling van de gasleiding op het gasregelblok los.

!Let op Zorg ervoor dat de draadverloopbussen op het gasregelblok niet meedraaien.

- Verwijder de gasleiding uit het toestel.
- Verwijder de spuitstukhouder.
- Vervang het spuitstuk door een spuitstuk voor propaan.
- Monteer het geheel in omgekeerde volgorde.
- Pas de branderdruk aan voor propaan, met gebruikmaking van het testpunt en de afstelschroef; zie afb. 10. In Bijlage 3 ziet u de vereiste gasdruk voor de diverse versies van het toestel.

!Let op Voor het controleren/instellen van de branderdruk, moet het toestel ten minste 10 min. in bedrijf zijn.

!Tip De instelschroef bevindt zich achter de afdekschroef.

5.10 Elektrische apparatuur aansluiten



!Let op Het toestel moet geaard zijn.

!Tip

De elektrische aansluiting kan naar keuze links of rechts van het toestel worden aangesloten

Standaard is het toestel ontworpen voor gebruik met een externe klok en/of thermostaat via een 5-dradig snoer; zie hiervoor het aansluitschema in bijlage 2. Wanneer de externe klok en/of de thermostaat niet worden gebruikt, kan het relais worden overbrugd door de contacten te verbinden.

Of sluit 1 → -N en 2 → -L aan.

- Sluit de elektrische bedrading aan volgens schema.

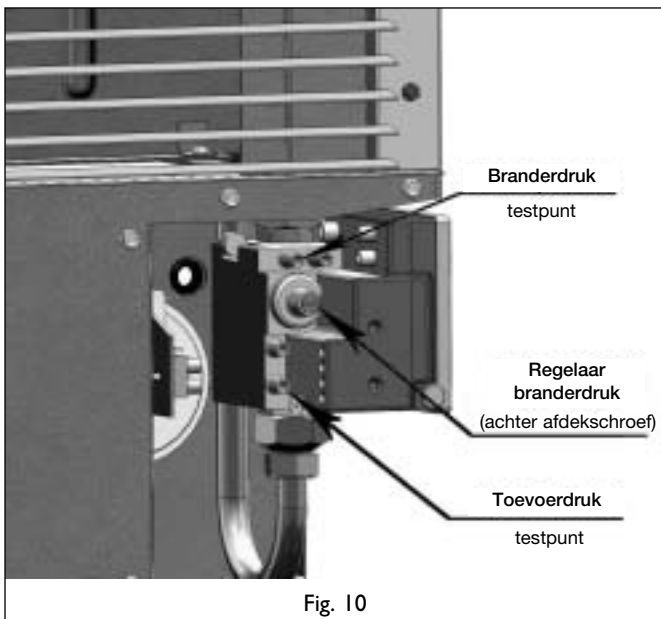


Fig. 10

6. Bedienen van het toestel

6.1 Bedieningspaneel

Het bedieningspaneel bevindt zich onder het klepje aan de bovenkant van het toestel.

Het klepje is voorzien van een slot.

Op het paneel zijn aanwezig (zie Afb. 11)

- zomer/winter-schakelaar;
- thermostaat;
- vergrendelingsmodus;
- resetknop;
- zekering.

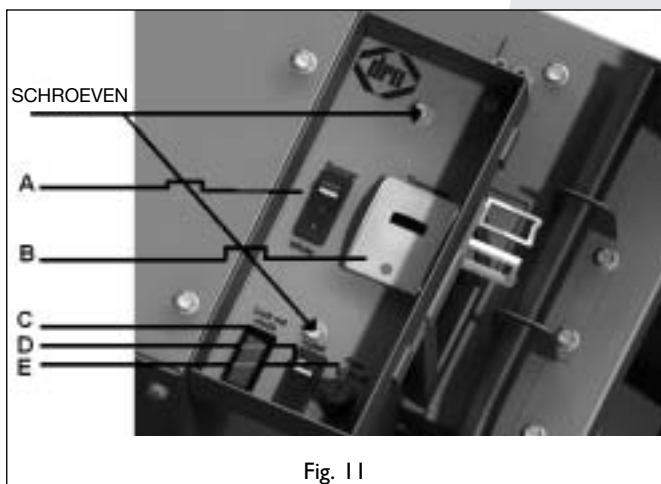


Fig. 11

Ad a)
"0"-stand

In de "0"-stand is het toestel uitgeschakeld

winterstand

In de winterstand zijn er 2 mogelijkheden:

- Het toestel wordt gestuurd door een externe klok en/of thermostaat;
- Het toestel wordt alleen aangestuurd door de interne thermostaat.

zomerstand

In de zomerstand werkt het toestel onafhankelijk van een externe klok en/of thermostaat. In deze stand wordt alleen convectielucht (= omgevingslucht) gecirculeerd.

Ad b)

De (interne) thermostaat kan worden ingesteld tussen 5 °C en 35 °C.

Het groene lampje van de thermostaat licht op als het toestel is ingeschakeld en de thermostaat "niet vragend" is. Het rode lampje licht op als het toestel ingeschakeld is en de thermostaat "vragend" is.

Ad c)

Bij storing gaat het rode lampje van de vergrendelingsmodus branden.

Ad d)

Bij storing kan het toestel met behulp van de resetknop worden gereset.

6.2 Toestel inschakelen voor verwarming

- Stel de externe klok en/of thermostaat in, indien aanwezig.
- Zet de thermostaat op de gewenste temperatuur.
- Zet de schakelaar in de winterstand.



Let op

Ongeveer 30 seconden na het ontsteken van de brander moet de convectieventilator inschakelen. Uit de roostersleuven komt dan warme lucht.

6.3 Toestel inschakelen voor luchtcirculatie

- Zet de schakelaar in de zomerstand. Het toestel blijft continu convectielucht (= omgevingslucht) circuleren.

6.4 Uitschakelen toestel

- Zet de schakelaar in de "0"-stand.

7. Eindcontrole

Om te controleren of het toestel correct en veilig werkt, moet u als volgt te werk gaan voordat het toestel wordt gebruikt.

7.1 Gasdichtheid



Let op

Alle aansluitingen dienen gasdicht te zijn.

!Let op

De toevoerdruk naar het gasregelblok mag niet hoger zijn dan 50 mbar.

- Controleer de aansluitingen op gasdichtheid.
- Maak de aansluitingen zo nodig gasdicht.

7.2 Gasdruk / toevoerdruk

De branderdruk is op de fabriek afgesteld voor gebruik van aardgas; zie het typeplaatje. Controle van de branderdruk na installatie is niet nodig. De toevoerdruk in huisinstallaties dient gecontroleerd te worden omdat deze kan variëren.



Let op

- Na ombouw op propaan dient de branderdruk wél gecontroleerd en zo nodig bijgesteld te worden.
- Na onderhoudswerkzaamheden dient de branderdruk bij gebruik van zowel aardgas als propaan te worden gecontroleerd en zo nodig te worden bijgesteld.

Ga als volgt te werk; zie Afb. 10:

- Controleer de toevoerdruk.
- Neem contact op met het energiebedrijf als de toevoerdruk niet klopt.
- Controleer, indien nodig, de branderdruk; zie Bijlage 3 voor de vereiste branderdruk.

!Let op

Voor het controleren/instellen van de branderdruk, moet het toestel ten minste 10 min. in bedrijf zijn.

- Stel de branderdruk zo nodig bij.

!Tip

De instelschroef bevindt zich achter de afdekschroef.

7.3 Ontsteken van de brander

Zie voor het ontsteken van de brander hoofdstuk 6.2.

!Let op

Na 5 ontstekingspogingen, gaat het toestel over op de vergrendelingsmodus.

- Ontsteek de brander
- Controleer of de convectieventilator werkt.
- Raadpleeg Tabel 3 - Diagnose van storingen - als de convectieventilator niet werkt en/of de brander niet ontsteekt.

7.4 Vlambeeld

- Controleer het vlambeeld.

Als het vlambeeld niet acceptabel is, moet u het volgende doen:

- Controleer of de verbrandingsgasafvoer en/of de luchttoevoer geblokkeerd zijn.
- Los zo nodig de blokkade(s) op.

7.5 Verbrandingsgasafvoer / verbrandingsluchttoevoer

- Controleer de verbrandingsgasafvoer en de verbrandingsluchttoevoer op lektheid.
- Controleer of de verbrandingsgasafvoer en/of de verbrandingsluchttoevoer vrij liggen van b.v. de elektrische bedrading, de convectiekast.
- Indien er een storing is, moet u die corrigeren.

8. Buitenbehuizing verwijderen / vervangen

De behuizing wordt als volgt verwijderd:



Let op

Beschadig de bedrading niet bij het verwijderen van de behuizing.

- Draai de schroeven aan weerszijden van de behuizing los (zie Afb. 4);
- Til de behuizing ca. 1 cm omhoog en schuif/til de behuizing naar voren.

Plaats hem terug in de omgekeerde volgorde.

!Tip

Als de behuizing voor de eerste keer wordt geplaatst, moeten de desbetreffende knock-outs eerst worden verwijderd.

!Let op

Zorg ervoor dat de plaatsingsnokken in de desbetreffende inkepingen vallen.

9. Onderhoud

Het toestel moet een maal per jaar door een vakbekwame installateur op het gebied van gasverwarming worden gecontroleerd, gereinigd en eventueel worden gerepareerd.

Controleer of het toestel correct en veilig werkt.



Let op

- Sluit de gaskraan;
- Schakel de hoofdschakelaar uit;
- Verwijder de hoofdzekering tijdens onderhoudswerkzaamheden;
- Controleer de gasdichtheid na reparatie.

9.1 Aanwijzingen voor onderhoud

Voer de onderhoudswerkzaamheden uit zoals hierna beschreven:

- Verwijder de behuizing, zie hoofdstuk 8.
- Reinig de filters als volgt:
 - Zuig/blaas het filter schoon. Als het filter niet voldoende schoon is, moet u het volgende doen
 - Draai de 4 schroeven los;
 - Verwijder het filter;
 - Spoel het filter met water en maak het schoon met een zachte borstel.
- Voer bovenstaande procedure voor beide filters uit.
- Controleer de ventilatoren op vervuiling en reinig deze zo nodig.
- Controleer de ventilatoren op goede werking en vervang deze zo nodig; zie hoofdstuk 9.2.
- Inspecteer het verbrandingsgasafvoer- / verbrandingsluchttoevoersysteem en vervang zo nodig de flexibele verbrandingsgasafvoerleiding.
- Reinig zo nodig de brander en het spuitstuk. Zie hoofdstuk 9.2.1 voor het verwijderen van de brander.
- Voer een controle uit zoals beschreven in hoofdstuk 7.

9.2 Onderdelen vervangen

Hieronder staat beschreven hoe de verschillende onderdelen kunnen worden vervangen.

- Remove the casing, for this see section 8.

9.2.1 Brander

- !Let op** Alleen voor Power Flue 7kW
- Verwijder het afdekplaatje links op de convectiekast; zie Afb. 12;
 - Draai de moer los;
 - Verwijder de sluitring en de afdichtring.

Vervolg voor alle toestellen zoals hieronder is beschreven:

- Verwijder de ontstekingsdop.
- Verwijder de afdichting rond de elektrodepen.
- Draai de 4 schroeven van de afdekplaatjes die om de gasleiding en ontstekingspen zitten (zie Afb. 9).
- Verwijder de afdekplaatjes.
- Draai de messing koppeling van de gasleiding onder de elektrodepen los.
- Draai de messing koppeling van de gasleiding op het gasregelblok los.

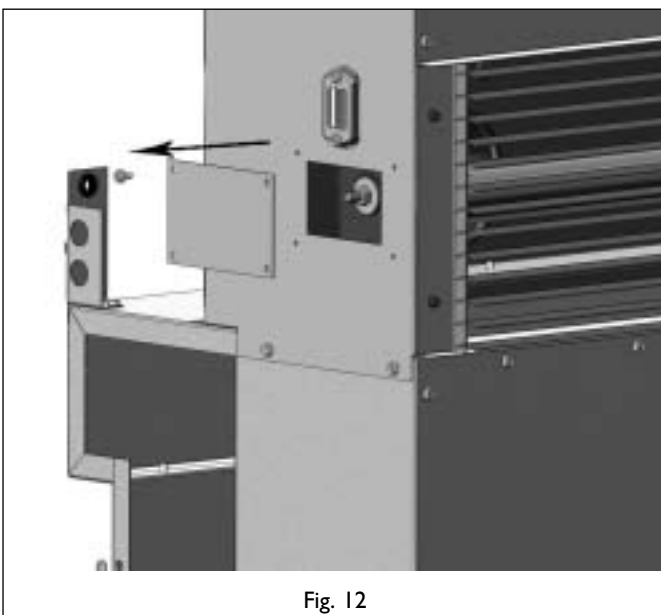


Fig. 12

- !Let op** Zorg ervoor dat de draadverloopbussen op het gasregelblok niet meedraaien.

- Verwijder de gasleiding uit het toestel.
- Draai de 4 schroeven van de brander los; zie Afb. 13.
- Haal de branderbuis voorzichtig uit de verbrandingskamer.
- Plaats de nieuwe brander in omgekeerde volgorde.

- !Let op** Alleen voor Power Flue 12kW en 16 kW:
- Plaats de pen aan het uiteinde van de branderbuis op de V; zie Afb. 14;
 - Positioneer de branderbuis zo, dat de pen in het gat valt.

- Controleer de toevoerdruk.
- Controleer de branderdruk en stel deze zo nodig bij zoals beschreven in hoofdstuk 7.2

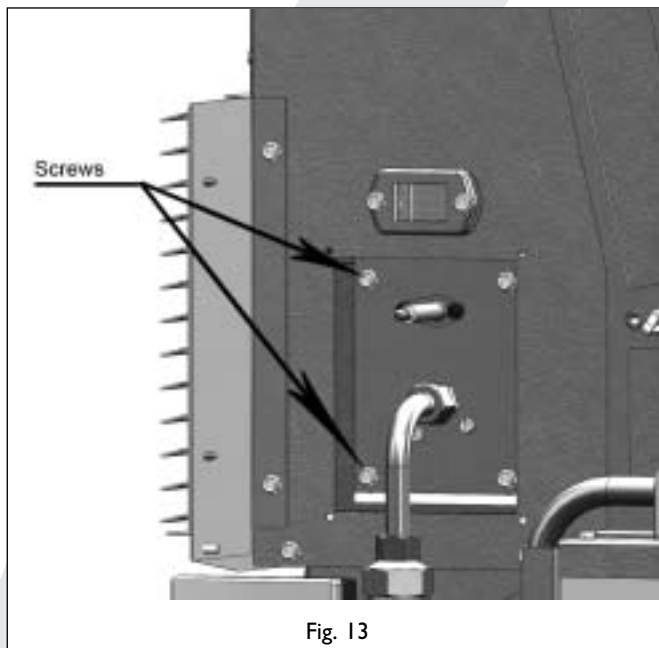


Fig. 13

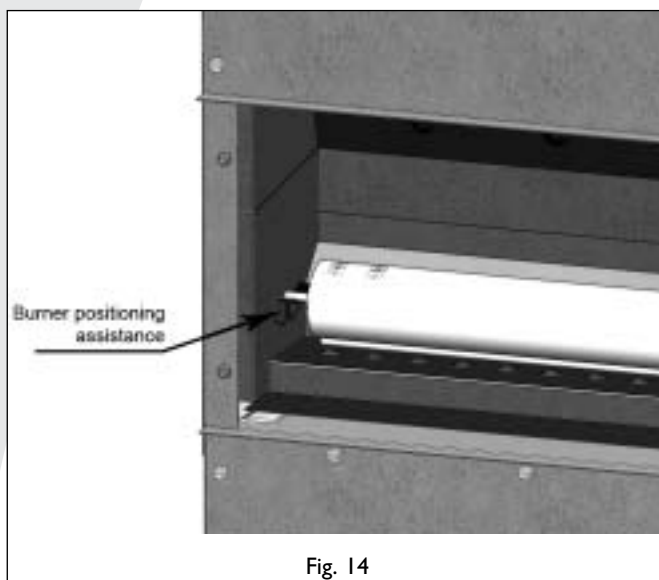


Fig. 14

9.2.2 Elektrodepen

- Verwijder de ontstekingsdop.
- Verwijder de afdichting rond de elektrodepen
- Verwijder de 4 schroeven van de afdekplaatjes die om de gasleiding en elektrodepen zitten (zie Afb. 9).
- Verwijder de afdekplaatjes.
- Draai de 2 schroeven van het bevestigingsplaatje af.
- Verwijder de elektrodepen.
- Plaats de nieuwe elektrodepen in omgekeerde volgorde

9.2.3 Automatische ontsteking

- Draai de 2 schroeven van het klepje op de automatische ontsteking los (zie Afb. 15) (met de bovenste schroef is de branderautomaat op het gasregelblok bevestigd; met de onderste schroef wordt het deksel vastgezet)
- Verwijder het deksel.

- Trek de 2 schroeven uit de automatische ontsteking (zie Afb. 16)
- Trek de ontstekingskabel eruit.
- Verwijder de automatische ontsteking door hem naar de voorkant van het toestel te trekken.
- Plaats de nieuwe automatische ontsteking in omgekeerde volgorde.

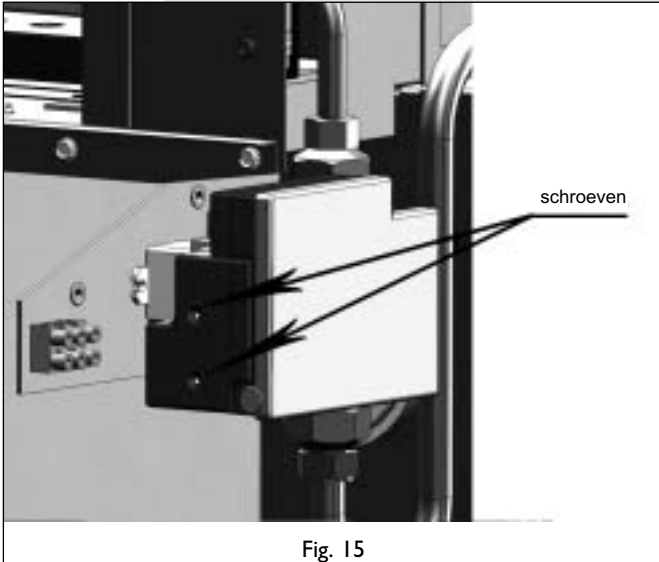


Fig. 15



Fig. 16

- !Let op**
- Positioneer de automatische ontsteking zo, dat de connector weer is aangesloten;
 - Voorkom dat er bedrading klem komt te zitten onder het deksel.

9.2.4 Gasregelblok

- Verwijder de automatische ontsteking zoals hierboven is beschreven in hoofdstuk 9.2.3.
- Verwijder de ontstekingsdop.
- Verwijder de afdichting rond de elektroden
- Verwijder de 4 schroeven van de afdekplaatjes die om de gasleiding en elektroden zitten (zie Afb. 9).
- Verwijder de afdekplaatjes.
- Draai de messing koppeling van de gasleiding onder de elektroden los.
- Draai de messing koppeling van de gasleiding op het gasregelblok los.
- Maak de aarddraad los.
- Verwijder het gasregelblok.
- Maak de draadverloopbussen (boven- en onderkant) los van het gasregelblok.
- Bevestig de draadverloopbussen op het nieuwe gasregelblok.

!Let op Gebruik nieuwe afdichtingsringen bij het aanbrengen van de draadverloopbussen.

- Plaats het gasregelblok in omgekeerde volgorde.
- Stel de branderdruk in zoals beschreven in hoofdstuk 7.2
- Voer een eindcontrole uit zoals beschreven in hoofdstuk 7

9.2.5 Convectieventilator

- Maak op het toestel de elektrische bedrading van de convectieventilator los (zie Afb. 17).
- Draai de schroeven uit de onderste afdekplaat aan de voorzijde van het toestel.
- Verwijder deze plaat.
- Haal de elektrische kabel uit de kabelklemmen.
- Draai de 4 inbusbouten los waarmee ventilator is bevestigd (zie Afb. 18).
- Verwijder de ventilator.
- Plaats de nieuwe ventilator in omgekeerde volgorde

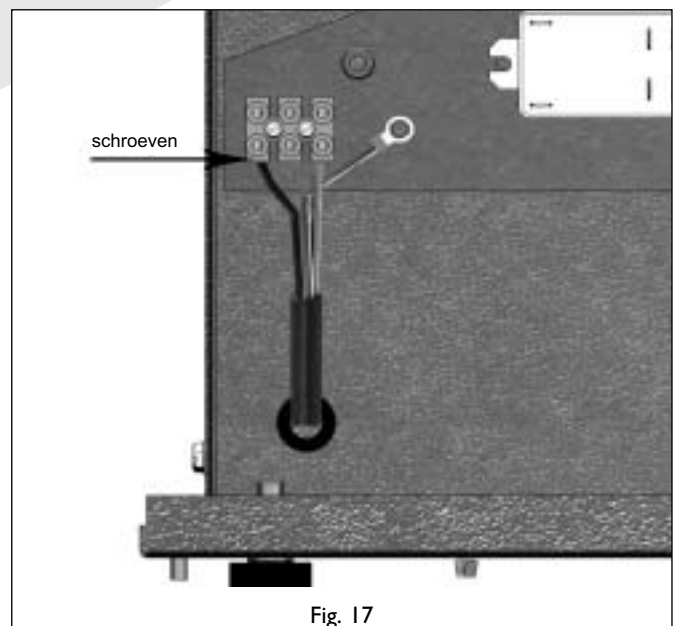


Fig. 17

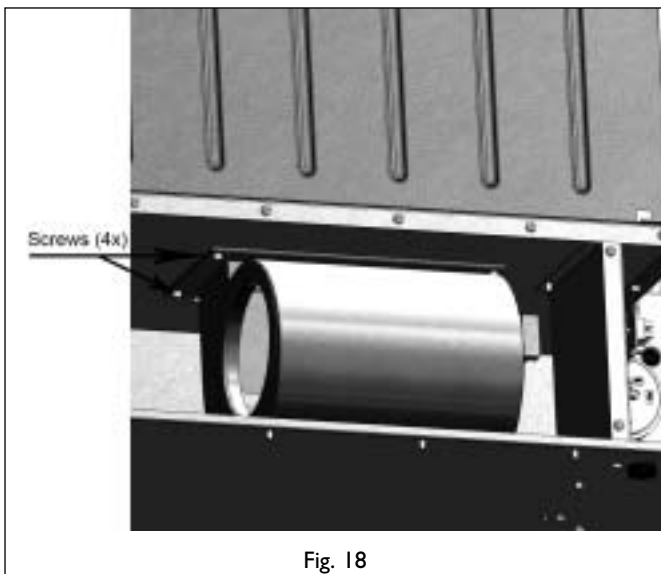


Fig. 18

9.2.6 Verbrandingsventilator

- Verwijder de klem van de flexibele verbrandingsgasafvoerleiding.
- Verwijder de flexibele verbrandingsgasafvoerleiding.
- Verwijder de klem waarmee de venturibuis aan de ventilator is bevestigd.
- Verwijder de venturibuis.
- Maak de luchtslang los van de ventilator (positief meetpunt).
- Maak de elektrische bedrading los van de ventilator.
- Verwijder de 4 schroeven uit de montageplaat (zie Afb. 6).
- Verwijder de ventilatorconstructie.
- Verwijder de 3 schroeven die de ventilator aan het montageplaatje bevestigen.
- Verwijder de ventilator.
- Plaats de nieuwe ventilator in omgekeerde volgorde

- !Let op**
- Gebruik nieuwe pakkingen;
 - Bevestig de venturibuis met behulp van hittebestendig dichtingsproduct en de klem;
 - Bevestig tevens de flexibele afvoerleiding met behulp van hittebestendig dichtingsproduct en de klem;
 - Zorg ervoor dat de bedrading vrij ligt van de convectiekast en de ventilatorbehuizing.

9.2.7 Temperatuurlimietschakelaar (maximum thermostaat)

- Maak de snelkoppelingen van de elektrische verbinding los.
- Verwijder de 2 schroeven uit de montageplaat (zie Afb. 19 van Power Flue 12/16kW).

- !Tip**
- Alleen voor Power Flue 7kW:
- Verwijder de 2 schroeven op het bedieningspaneel (zie Afb. 11);
 - Breng het paneel iets omhoog;
 - Verwijder de bovenste schroef uit de montageplaat.

- Verwijder de schakelaar.
- Plaats de nieuwe schakelaar in omgekeerde volgorde.

- !Let op**
- Voor de Power Flue 16kW worden 2 afstandsbussen en een pakking gebruikt.

9.2.8 Schakelaar convectieventilator

- Maak de snelkoppelingen van de elektrische verbinding los.
- Verwijder de 2 schroeven op de montageplaat (zie Afb. 19);

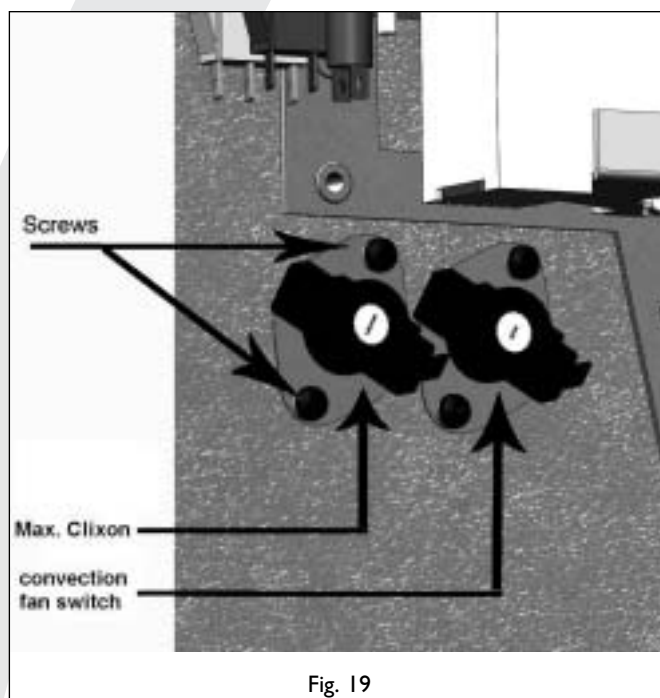


Fig. 19

- !Tip**
- Alleen voor Power Flue 7kW:
- Verwijder de 2 schroeven op het bedieningspaneel (zie Afb. 11);
 - Breng het paneel iets omhoog;
 - Verwijder de bovenste schroef uit de montageplaat.

- Verwijder de schakelaar.
- Plaats de nieuwe schakelaar in omgekeerde volgorde.

9.2.9 Thermostaat

- Verwijder de 2 schroeven op het bedieningspaneel (zie Afb. 11).
- Breng het bedieningspaneel iets omhoog.
- Verwijder de thermostaat.
- Maak de bedrading los.
- Plaats de nieuwe thermostaat in omgekeerde volgorde.

9.2.10 NTC temperatuurvoeler

De temperatuurvoeler bevindt zich in de convectieluchtinlaat bij het filter aan de rechterkant van het toestel.

- Verwijder de 2 schroeven op het bedieningspaneel.
- Til het bedieningspaneel op en schuif het iets opzij.
- Maak de draden van de temperatuurvoeler op de thermostaat los.
- Verwijder de temperatuurvoeler.
- Plaats de nieuwe temperatuurvoeler in omgekeerde volgorde.

9.2.11 Luchtdrukschakelaar

- Verwijder de schroeven.

!Tip De schroeven kunt u bereiken via de convectieluchtinlaat aan de rechterkant

- Maak de slangen los.
- Maak de bedrading los.

!Let op

- Onthoud hoe de slangen zijn aangesloten;
- Onthoud hoe de bedrading is aangesloten;
- Het instelpunt van de luchtdrukschakelaar is afhankelijk van het type toestel.

- Verwijder de luchtdrukschakelaar.
- Plaats de nieuwe luchtdrukschakelaar in omgekeerde volgorde.

10. Levering

U moet de gebruiker uitleggen hoe hij of zij het toestel moet bedienen.

U dient de gebruiker te instrueren over onder meer de ingebruikname, de werking en het jaarlijkse onderhoud.



Let op

- Adviseer de gebruiker om direct de gaskraan te sluiten en om de hoofdschakelaar uit te schakelen wanneer er sprake is van storingen/slechte werking, en om daarna contact op te nemen met de installateur om het ontstaan van gevaarlijke situaties te voorkomen;
- Wijs de gaskraan aan;
- Wijs de hoofdschakelaar aan.

- Instrueer de gebruiker over de werking van het toestel.
- Wijs de gebruiker op de noodzaak van jaarlijks onderhoud.
- Overhandig de gebruiker de gebruikershandleiding én de installatiehandleiding (de installatiehandleiding dient bij het toestel bewaard te blijven).

11. STORINGEN

In de onderstaande tabel vindt u een overzicht van storingen die kunnen optreden, de mogelijke oorzaak en de oplossing.

Tabel 3 Diagnose van storingen

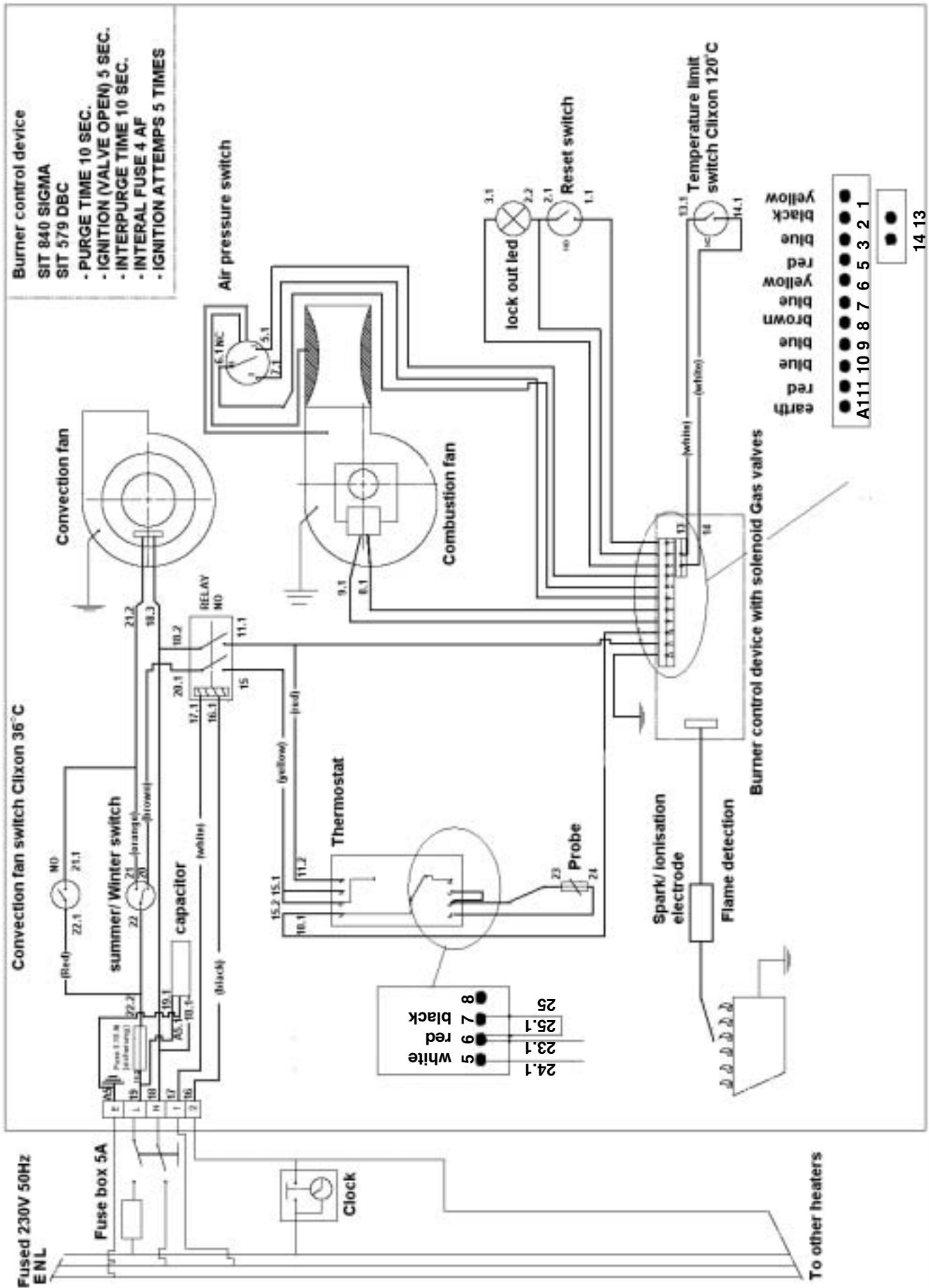
WAARGENOMEN PROBLEEM:	MOGELIJKE OORZAAK:	OPLOSSING:
A. Toestel reageert/werkt niet	<ol style="list-style-type: none"> 1. Klok niet goed ingesteld 2. Thermostaat verkeerd ingesteld 3. Zomer / winterschakelaar in verkeerde stand 4. Hoofdschakelaar uitgeschakeld 5. Hoofdzekering defect 6. Toestelzekering defect (op bedieningspaneel) 	<ol style="list-style-type: none"> 1. Stel klok correct in 2. Stel thermostaat goed in 3. Zet schakelaar in gewenste stand 4. Schakel de hoofdschakelaar in 5. - Zoek eerst de oorzaak van de overbelasting op en verhelp deze - Vervang dan hoofdzekering 6. - Zoek eerst de oorzaak van de overbelasting op en verhelp deze - Vervang dan de toestelzekering
B. Temperatuurlimietschakelaar (clixon 120 °C) stoort	<ol style="list-style-type: none"> 1. Sterk vervuilde filters 2. Overbelasting toestel 3. Convectieluchtcircuit geblokkeerd 4. Convectieventilator sterk vervuild 5. Convectieventilator defect 	<ol style="list-style-type: none"> 1. Reinig filters 2. Controleer branderdruk: Corrigeer zo nodig branderdruk 3. Controleer convectieluchtcircuit: Maak deze zo nodig vrij 4. Reinig ventilator 5. Vervang ventilator
C. Geen gas	<ol style="list-style-type: none"> 1. Gastoevoer onderbroken/gestopt. 	<ol style="list-style-type: none"> 1. Controleer gastoevoer Herstel zo nodig de gastoevoer
D. Geen ontsteking (vonk)	<ol style="list-style-type: none"> 1. Ontstekingskabel beschadigd 2. Elektroden gecorrodeerd 3. Luchtdrukschakelaar functioneert niet 4. Verbrandingsgasventilator sterk vervuild 5. Verbrandingsgasafvoer-/verbrandingsluchttoevoersysteem geblokkeerd 6. Elektrische aansluitingen niet juist 7. Spleet elektrode / brander te klein of te groot 	<ol style="list-style-type: none"> 1. Vervang de ontstekingskabel 2. Vervang de elektroden 3. Controleer aansluitingen luchtdrukschakelaar: - Sluit deze goed aan - Vervang zo nodig de luchtdrukschakelaar 4. Vervang ventilator 5. Hef blokkade op 6. Controleer de elektrische aansluitingen: Verbeter de aansluitingen zo nodig N.b.: de branderautomaat is fasegevoelig 7. Spleet tussen elektrode en brander moet tussen de 5 en 6 mm zijn
	<ol style="list-style-type: none"> 7. Branderautomaat defect 	<ol style="list-style-type: none"> 7. Vervang branderautomaat
E. Convectieventilator schakelt niet in	<ol style="list-style-type: none"> 1. Schakelaar convectieventilator defect 2. Convectieventilator defect 	<ol style="list-style-type: none"> 1. Zet zomer / winterschakelaar in zomerstand. Als convectieventilator inschakelt: - Controleer en herstel zo nodig de bedrading - Vervang zo nodig schakelaar 2. Zet zomer / winterschakelaar in zomerstand Convectieventilator werkt ook niet in de zomerstand: - Controleer en herstel zo nodig de bedrading - Vervang zo nodig de ventilator
F. Brander ontsteekt, maar gaat na een paar seconden uit	<ol style="list-style-type: none"> 1. Omgekeerde polariteit 2. Gedeeltelijke of volledige blokkering rookkanaal 	<ol style="list-style-type: none"> 1. Controleer of spannings- en neutrale polen in de juiste stand staan, wijzig zo nodig 2. Controleer verbrandingsgasafvoer en doorvoer, verwijder zo nodig blokkering.

Bijlage 1 Meegeleverde onderdelen

In de onderstaande tabel staan de onderdelen vermeld die bij het toestel worden geleverd.

ONDERDEEL	K7	K12	K16	ORDERNR.
Installatiehandleiding	1x	1x	1x	95762501
Gebruikershandleiding	1x	1x	1x	95762401
Dichtingsproduct	1x	1x	1x	907918
Standaard slangklem 50-70mm	2x	2x	2x	806656
Slangklem (64-67mm)	2x	2x	2x	806763
Schroeven	8x	8x	8x	519456
Pluggen	8x	8x	8x	929964
Sluitringen	2x	2x	2x	525015
Afvoerslang l=600 RVS	1x	1x	1x	24124
Luchtinlaatslang L=600mm Alu	1x	1x	1x	24126
Kabelwartel	1x	1x	1x	806695
Geveldoorvoer	1x	1x	1x	24115
Verdeelstuk	1x	1x	1x	806643
Restrictie alleen k12	n.a.	1x	n.a.	806646
Restrictie alleen k16	n.a.	n.a.	1x	806647
Set van 2 vergrendelingsleutels	1x	1x	1x	806511
Siliconenplug	1x	1x	1x	806818

BIJLAGE 2 AANSLUITSCHEMA



Bijlage 3 Technische gegevens

In de onderstaande tabel vindt u de technische gegevens.

POWER FLUE

Type		7kW	12kW	16kW			
Gassoort		G20	G31	G20	G31	G20	G31
Branderdruk	mbar	13,4	26	17,9	28,9	18,7	29
Nom. belasting (Hs)	kW	8,4	8,3	14,3	13,9	19,6	18,8
Nom. belasting (Hi)	kW	7,6	7,6	12,9	12,8	17,6	17,4
Nom. vermogen	kW	7	7	12	11,8	16	15,7
Verbruik	l/h	785	305	1360	517	1875	704
Branderspuitstuk	mm	2,25	1,55	2,7	1,9	3,15	2,25
Rendementklasse		I	I	I	I	I	I

K7	230 - 240 Vac	50 Hz	Nominaal vermogen 140 W	IP 20
K12	230 - 240 Vac	50 Hz	Nominaal vermogen 140 W	IP 20
K16	230 - 240 Vac	50 Hz	Nominaal vermogen 155 W	IP 20

Bijlage 4 Onderdelen

Onderdelen zijn verkrijgbaar via www.drugasar.co.uk



TABLE DES MATIERES

Avant-propos.....	46	6. Utilisation de l'appareil.....	56
1. Introduction	46	6.1 Panneau de commande.....	56
2. Déclaration CE.....	46	6.2 Allumer l'appareil pour le chauffage.....	56
3. SÉCURITÉ	47	6.3 Allumer l'appareil pour la circulation d'air	56
3.1 Généralités	47	6.4 Éteindre l'appareil.....	56
3.2 Réglementations	47	7. Contrôle final	56
3.3 Précautions/consignes de sécurité pendant l'installation	47	7.1 Imperméabilité au gaz.....	56
4. Retrait de l'emballage	47	7.2 Pression de gaz / pression d'alimentation.....	57
5. Installation	48	7.3 Allumage du brûleur.....	57
5.1 Réglementations	48	7.4 Aspect des	57
5.2 Type de gaz	48	7.5 Conduits d'évacuation des produits de combustion et d'amenée d'air.....	57
5.3 Raccordement au gaz	48	8. Retrait / remplacement de l'enveloppe extérieure....	57
5.4 Raccordement électrique	48	9. Maintenance.....	57
5.5 Terminal mural et manifold	48	9.1 Instructions de maintenance.....	57
5.6 Mise en place de l'appareil.....	52	9.2 Remplacement de pièces.....	58
5.7 Conduits d'évacuation des produits de combustion et d'amenée d'air.....	52	10. Livraison	61
5.8 Comment raccorder le gaz.....	55	11. Guide de diagnostic des pannes	62
5.9 Conversion au propane.....	55	Annexe 1 Pièces incluses dans la livraison.....	63
5.10 Raccordement de l'équipement électrique	55	Annexe 2 Schéma du circuit électrique.....	64
		Annexe 3 Données techniques.....	65
		Annexe 4 Pièces détachées	65

Avant-propos

En tant que fabricant d'appareils de chauffage au gaz, DRU développe et fabrique des produits suivant les plus hautes exigences possible en matière de sécurité, de qualité et de performances. L'utilisateur est ainsi assuré de bénéficier de longues années de confort d'utilisation.

Cet appareil dispose d'une marque CE ; il satisfait dès lors aux exigences essentielles de la directive européenne relative aux appareils au gaz.

En tant qu'installateur, vous devez être qualifié dans le domaine des chauffages au gaz.

Deux manuels accompagnent l'appareil : le manuel d'installation et le manuel de l'utilisateur. Le manuel d'installation contient les informations dont vous avez besoin pour installer l'appareil de manière à ce qu'il fonctionne bien et en toute sécurité.

Ce manuel traite de l'installation de l'appareil et des prescriptions en vigueur en la matière. En outre, il comporte certaines données techniques relatives à l'appareil ainsi que des informations concernant son entretien, des dysfonctionnements éventuels et leurs possibles causes.

Veillez lire attentivement le présent manuel d'installation et l'utiliser.

Les symboles suivants sont utilisés dans le manuel pour souligner des informations importantes :

- Actions à exécuter
- !Astuce** Suggestions et recommandations
- Attention** Ces instructions sont nécessaires pour éviter des problèmes susceptibles de se présenter durant l'installation et/ou l'utilisation.



Attention *Ces instructions sont nécessaires pour éviter un incendie, des blessures corporelles ou d'autres dommages graves.*

Après livraison, vous devez remettre le manuel de l'utilisateur ET le présent manuel d'installation à l'utilisateur.

1. Introduction

Le Power Flue est un appareil de chauffage au gaz à circuit étanche équipé d'une circulation d'air en convection forcée et d'une évacuation forcée des gaz de combustion. Cet appareil existe en version 7 kW, 12 kW et 16 kW. Il est toujours fixé contre un mur construit dans un matériau incombustible et thermorésistant. Utilisez le terminal mural fourni pour le passage vers l'extérieur. Lorsque vous utilisez le conduit standard, le terminal sera placé dans le même mur contre lequel l'appareil est placé. Il est possible d'utiliser un conduit d'extension. Ce conduit peut avoir une longueur maximale de 10 mètres pour les versions 7kW et 12kW et ne doit pas dépasser 3 mètres pour la version 16kW.

Le conduit d'extension peut être placé à gauche et à droite de l'appareil. En ce sens, des entrées défonçables spéciales ont été installées des deux côtés, dans le boîtier. Les composants pour le conduit d'extension seront fournis par Drugasar sur simple demande.

Tel qu'il est livré, l'appareil est conçu pour une utilisation avec du gaz naturel (G20). Sur simple demande, un kit de conversion pour le propane (G31) peut être fourni.

2. Déclaration CE

Nous déclarons par la présente que l'appareil de chauffage au gaz commercialisé par DRU est conforme en termes de conception et de fabrication aux exigences essentielles des directives CE applicables.

La présente déclaration n'est cependant plus valable si des modifications sont apportées à l'appareil sans l'accord préalable écrit de DRU.

Produit : appareil de chauffage au gaz avec circulation d'air en convection forcée

Type: Power Flue

Directives CE d'application :

90/396/EEC

2006/95/EC

89/336/EEC

Par des mesures internes à l'entreprise, nous garantissons que les appareils produits en série satisfont aux exigences essentielles des directives CE en vigueur et des normes qui en découlent.

M.J.M. Gelten
Directeur Général
Dru verwarming B.V.
Boîte postale 1021, 6920 BA Duiven
Ratio 8, 6921 RW Duiven
www.dru.nl

3. Sécurité

3.1 Généralités



Attention - Veuillez lire attentivement le présent chapitre relatif à la sécurité, avant de commencer l'installation ou l'entretien de l'appareil;

- Veuillez respecter les prescriptions générales ainsi que les mesures de précaution/consignes de sécurité contenues dans le présent manuel.

- contrôlez les raccords quant à leur imperméabilité au gaz avant d'utiliser l'appareil;
- n'installez pas/ou n'utilisez pas l'appareil dans un environnement humide;
- installez un commutateur omnipolaire à proximité de l'appareil, disposant d'une ouverture de contact d'au moins 3 mm;
- raccordez l'appareil à la terre;
- installez les raccordements électriques de manière à ce qu'ils soient dégagés de l'appareil;
- n'allumez pas l'appareil avant qu'il ne soit entièrement installé.

3.2 Réglementations

- Veuillez installer l'appareil, y compris l'installation électrique, conformément aux réglementations (d'installation) nationales, locales et architectoniques. Parmi celles-ci notamment:
- Réglementations (d'installation et d'utilisation) en matière de sécurité gazière;
- B.S. 6891;
- B.S. 5871 : Partie 1;
- B.S. 5440 : Partie 1;
- B.S. 5440 : Partie 2;
- Réglementations locales en matière de construction;
- Réglementations I.E.E en matière de câblage;
- Santé et Sécurité au travail

3.3 Précautions/consignes de sécurité pendant l'installation

Veuillez respecter scrupuleusement les mesures de précaution/règles de sécurité suivantes:

- n'installez et n'entretenez l'appareil que si vous êtes un installateur qualifié dans le domaine des chauffages au gaz ;
- n'apportez aucune modification à l'appareil;
- utilisez uniquement les conduits d'évacuation des produits de combustion et d'amenée d'air fournis par Drugasar;
- placez toujours l'appareil contre un mur construit dans un matériau incombustible et thermorésistant;
- utilisez les crochets muraux lorsque vous installez l'appareil sur un mur. Vous garantirez ainsi la distance minimale requise de 10 mm du mur du fond;
- assurez-vous que l'appareil se trouve à une distance suffisante d'autres objets et matériaux (voir la fig. 1). Un espace libre autour de l'appareil est nécessaire pour une utilisation adéquate et sûre et pour une bonne accessibilité

- en cas de maintenance;
- assurez-vous de la présence d'un échappement libre de l'air chaud de convection sur l'avant de l'appareil;
- assurez-vous de la présence d'une alimentation libre en air de convection froid de chaque côté de l'appareil; des rideaux, par exemple, pourraient bloquer l'arrivée d'air à la suite d'une aspiration du ventilateur de convection.
- évitez que l'air chaud de convection ne circule à nouveau au travers de l'arrivée d'air froid de convection;
- ne couvrez pas l'appareil ni le matériel d'évacuation et/ou ne l'enveloppez pas dans une couverture isolante ou tout autre matériau;
- évitez la saleté dans les tuyaux de gaz et les raccords;
- contrôlez les raccords quant à leur imperméabilité au gaz avant d'utiliser l'appareil;
- n'installez pas/ou n'utilisez pas l'appareil dans un environnement humide;
- installez un commutateur omnipolaire à proximité de l'appareil, disposant d'une ouverture de contact d'au moins 3 mm;
- raccordez l'appareil à la terre;
- installez les raccordements électriques de manière à ce qu'ils soient dégagés de l'appareil;
- n'allumez pas l'appareil avant qu'il ne soit entièrement installé.

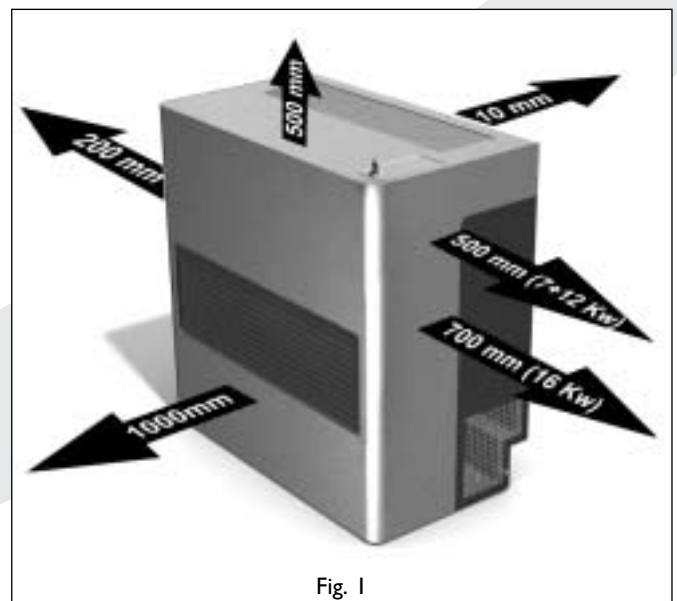


Fig. 1

4. Retrait de l'emballage

Soyez attentif aux points suivants lorsque vous déballez l'appareil :

- Contrôlez que l'appareil n'a pas été endommagé pendant le transport.
- Si nécessaire, contactez le service après-vente Drugasar.
- Contrôlez si toutes les pièces ont été livrées. L'annexe I vous indique les pièces que vous devez avoir après avoir retiré l'emballage.
- Veuillez contacter le service après-vente de Drugasar si vous ne disposez pas de toutes les pièces après avoir terminé d'enlever l'emballage.
- Débarrassez-vous de l'emballage conformément aux réglementations locales.

5. Installation

Veillez lire attentivement le présent manuel pour vous assurer que l'appareil fonctionne bien et en toute sécurité.

!Attention Installez l'appareil dans l'ordre décrit dans ce chapitre.

5.1 Réglementations

- Veillez respecter les réglementations (d'installation) nationales, locales et architectoniques tant en ce qui concerne l'appareil que l'installation électrique.
- Respectez les règles/consignes contenues dans le présent manuel.

5.2 Type de gaz

La plaque signalétique indique pour quel type de gaz, quelle pression de gaz et quel pays est destiné l'appareil. Elle se trouve sur le côté gauche, sur la boîte de convection. Vous pouvez la voir en retirant l'enveloppe extérieure.

L'appareil peut être converti pour une utilisation avec du propane. La pression d'alimentation de gaz doit être d'au moins 30 mbars. Pour la conversion au propane, voir la section 5.10.

- Contrôlez si l'appareil convient pour le type de gaz et la pression de gaz utilisés sur le lieu d'installation.

5.3 Raccordement au gaz

!Attention Evitez les saletés dans les conduits de gaz et les raccords.

Les exigences suivantes s'appliquent au raccordement au gaz :

- utilisez un conduit de gaz présentant les bonnes dimensions, de manière à éviter toute perte de pression ;
- le robinet de gaz, le cas échéant, dispose d'une marque CE ;
- vous devez toujours pouvoir atteindre le robinet à gaz.

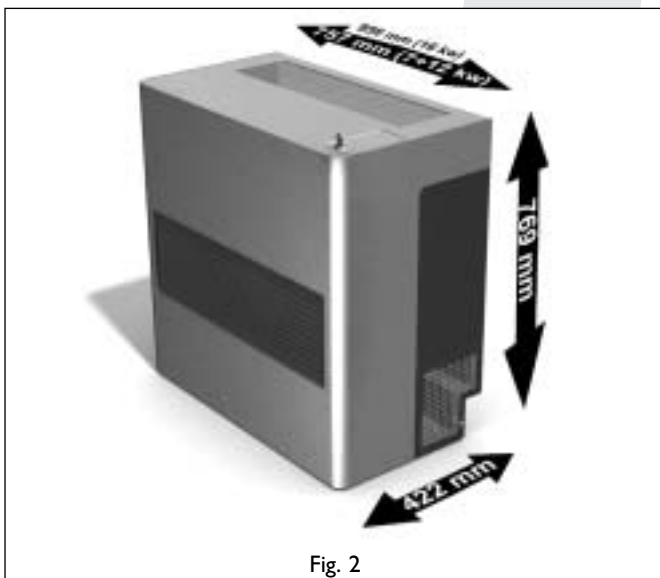


Fig. 2

5.4 Raccordement électrique

Les exigences suivantes s'appliquent au raccordement électrique :

- vous devez installer un commutateur omnipolaire à proximité de l'appareil, disposant d'une ouverture de contact d'au moins 3 mm;
- la tension électrique requise est de 230V/50Hz~; protégée avec 5A.

5.5 Terminal mural et manifold

5.5.1 Mise en place du terminal mural/manifold

Mise en place du terminal mural/manifold directement derrière l'appareil. (Pour plus d'informations, voir le chapitre 5.7.2)

- Déterminez l'emplacement de l'appareil ; les dimensions se trouvent dans les fig. 1 et 2.



- !Attention**
- Assurez-vous que l'appareil se trouve à une distance suffisante de tout autre objet et matériau. L'espace libre autour de l'appareil est nécessaire pour un fonctionnement adéquat et sûr de l'appareil et pour l'accessibilité lors des travaux de maintenance.
 - Placez toujours l'appareil contre un mur construit dans un matériau incombustible et thermorésistant.

!Astuce Le manifold présente deux raccords d'amenée d'air de combustion, voir le chapitre 5.5.2

!Astuce Déterminez la position de l'appareil et les raccords en utilisant les dimensions indiquées dans les fig. 3a et 3b.

Pour un conduit d'extension type, voir la fig.8.

- Déterminez l'emplacement du manifold/terminal mural.



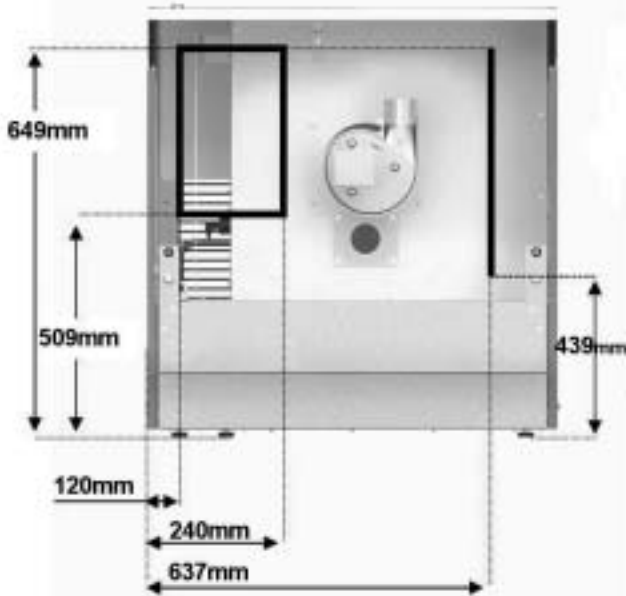
!Attention Utilisez le tableau 2 pour déterminer le nombre de coudes autorisé en combinaison avec la longueur du système d'évacuation.

- !Attention**
- Les coudes dans le conduit flexible d'évacuation de gaz et le tuyau d'amenée d'air de combustion doivent être aussi réguliers que possible, afin que la résistance reste aussi faible que possible;
 - Le terminal mural convient pour des murs d'une épaisseur allant jusqu'à 400 mm ; si nécessaire, Drugasar peut fournir un terminal mural pour des murs d'une épaisseur allant jusqu'à 900 mm;

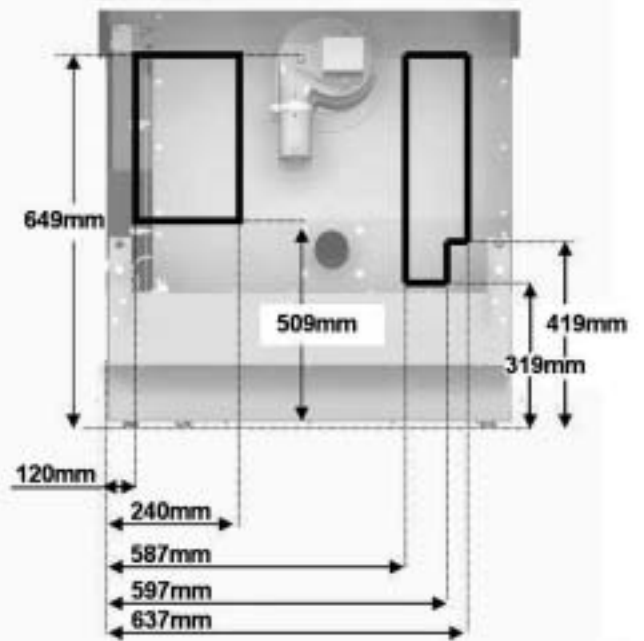
- Tenez compte des exigences concernant la position du terminal mural dans le mur extérieur, tel qu'indiqué dans la section 5.5.1.1.

- Voir également le chapitre 5.7.3, pour l'option du conduit d'extension.

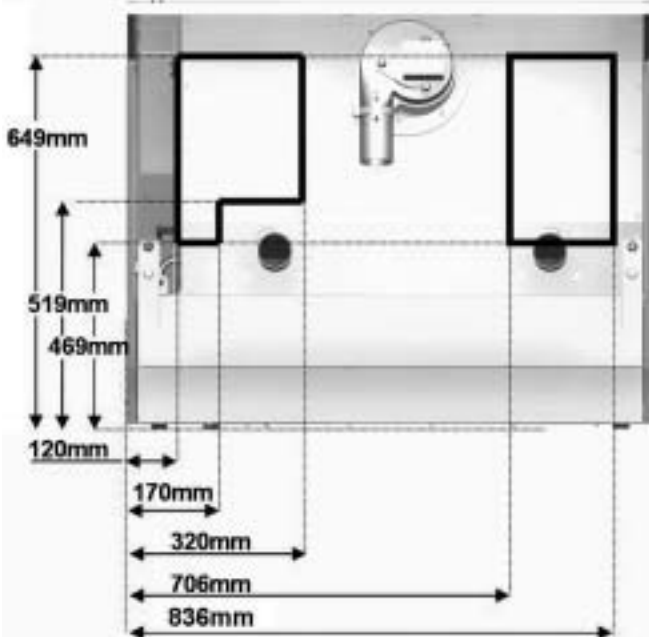
Powerflue K7



Powerflue K12



Powerflue K16



La ligne central du manifold/ terminal mural doit être positionnée dans une des structures du brûleur correspondant.

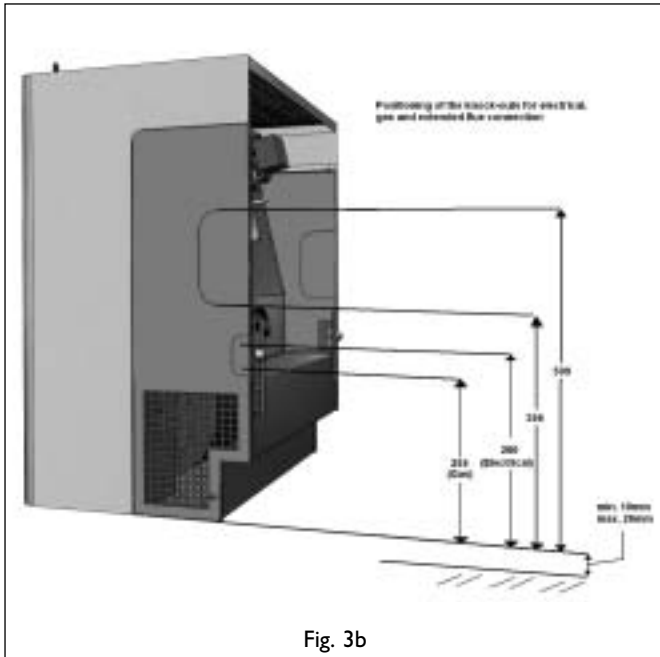


Fig. 3b

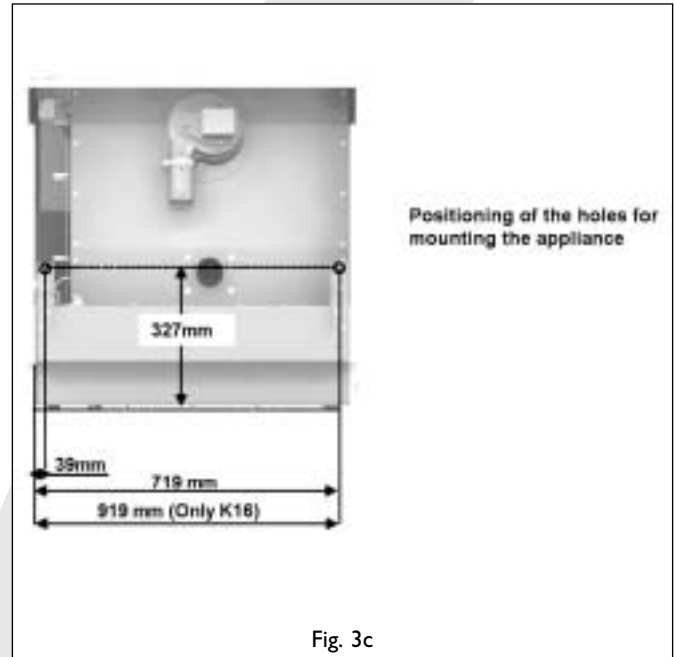
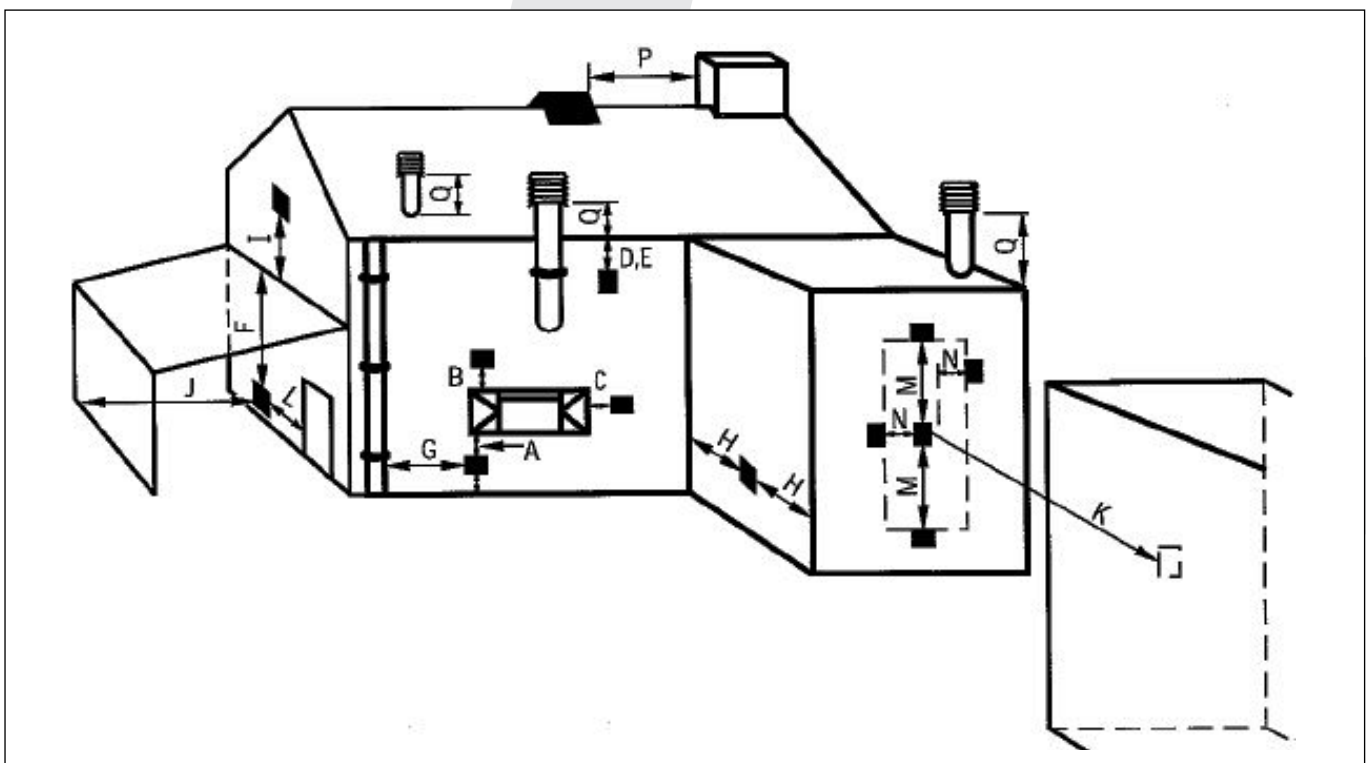


Fig. 3c

5.5.1.1 Mise en place du terminal mural dans le mur extérieur.

Le schéma suivant ainsi que le tableau correspondant sont largement basés sur BS5440 : Partie I:2000. Pour plus d'explications/applications, veuillez vous reporter à cette norme BSI directement.



Dimensions minimales des conduits suivant les positions du terminal mural						
Position du terminal mural			//Équilibre conduits espace étanche		Conduits ouverts	
			Tirage naturel	Tirage avivé	Tirage naturel avivé	Tirage
A	* Directement sous une ouverture, une brique creuse, une fenêtre, etc.	0-7kW >7-14kW >14-32kW >32-70kW	300 mm 600 mm 1500 mm 2000 mm	300 mm	Pas autorisé	300 mm
B	* Au-dessus d'une ouverture, une brique creuse, une fenêtre, etc.	0-7kW >7-14kW >14-32kW >32-70kW	300 mm 300 mm 300 mm	300 mm	Pas autorisé	300 mm
C	* Horizontalement par rapport à une ouverture, une brique creuse, une fenêtre, etc.	0-7kW >7-14kW >14-32kW >32-70kW	300 mm 600 mm 600 mm 2000 mm	300 mm	Pas autorisé	300 mm
D	Sous une gouttière ou un tuyau sanitaire si matériel combustible protégé.		300 mm	75 mm	Pas autorisé	75 mm
E	Sous l'avant-toit.		300 mm	200 mm	Pas autorisé	200 mm
F	//Sous des balcons ou des bâtiments sans revêtement de toiture		600 mm	200 mm	Pas autorisé	200 mm
G	Depuis une canalisation verticale ou un tuyau de sol		300 mm	150 mm	Pas autorisé	150 mm
H	Depuis un coin intérieur ou extérieur.		600 mm	300 mm	Pas autorisé	200 mm
I	Au-dessus du niveau du sol ou du balcon		300 mm	300 mm	Pas autorisé	300 mm
J	Depuis une surface en face du terminal mural		600 mm	600 mm	Pas d'appl.	600 mm
K	Depuis un autre terminal mural face au terminal mural.		600 mm	1200 mm	Pas d'appl.	1200 mm
L	Depuis une ouverture dans le carport vers une habitation.		1200 mm	1200 mm	Pas d'appl.	1200 mm
M	Verticalement depuis un terminal mural sur le même mur.		1500 mm	1500 mm	Pas d'appl.	1500 mm
N	Horizontalement depuis un terminal mural sur le même mur.		300 mm	300 mm	Pas d'appl.	300 mm
O	Depuis un mur sur lequel le terminal mural est monté.		Pas d'appl.	Pas d'appl.	Pas d'appl.	50 mm
P	Depuis une structure verticale sur le toit.		Pas d'appl.	Pas d'appl.	600 mm	Pas d'appl.
Q	Au-dessus de l'intersection avec le toit.		Pas d'appl.	Pas d'appl.	600 mm	150 mm

Remarques : Pas d'appl. = PAS D'APPLICATION * En outre, le terminal mural ne doit pas être à moins de 150 mm (tirage avivé) ou 300 mm (tirage naturel) d'une ouverture dans la structure du bâtiment formée dans le but d'abriter un élément intégré, comme un châssis de fenêtre. Les distances de séparation sont liées aux apports de chaleur estimés comme indiqué.

5.5.2 Installation du terminal mural et du manifold

Suivez la procédure ci-dessous lorsque vous installez le terminal mural et le manifold :

- Percez un trou dans le mur, d'un diamètre de 105 mm.
- Percez 3 trous dans le mur depuis l'extérieur, pour monter le terminal mural.

! Attention - Placez le terminal mural avec la rainure/jointure pliée au-dessus ;

- Collez le jointement/joint du terminal mural sur la bride.
- Montez temporairement le terminal mural depuis l'extérieur.
- Glissez le manifold depuis l'intérieur aussi loin que possible sur les tubes concentriques du terminal mural.
- Déterminez la distance entre le manifold et le mur.
- Dévissez le terminal mural.
- Coupez le terminal mural à la taille voulue.
- Montez le terminal mural pour la dernière fois.
- Déterminez sous quel angle le manifold doit être placé.
- Appliquez une quantité suffisante de mastic thermorésistant à l'extérieur du conduit d'amenée d'air de combustion en acier galvanisé.
- Appliquez un film de mastic thermorésistant à l'intérieur du conduit d'évacuation des gaz en aluminium.
- Placez le jointement/joint du manifold entre le mur et le manifold.

! Astuce Pour le manifold, vous pouvez choisir entre deux raccords d'alimentation d'air de combustion.

- Montez le manifold dans la bonne position.
- Percez 3 trous dans le mur pour monter le manifold.
- Montez le manifold à l'aide des vis et des rondelles fournies.
- Si nécessaire, utilisez une protection pour terminal mural.
- Placez la protection du terminal mural bien centrée sur le terminal mural.

5.6 Mise en place de l'appareil

Placez l'appareil comme suit :



- Attention** - N'apportez aucune modification à l'appareil ;
- Ne couvrez pas l'appareil ni le matériel d'évacuation et/ou ne l'enveloppez pas dans une couverture isolante ou tout autre matériau ;
 - Montez l'appareil sur le mur en utilisant les crochets muraux ; de la sorte, vous garantissez la distance minimale requise de 10 mm par rapport au mur de fond ;
 - Assurez-vous que l'air chaud de convection sur l'avant de l'appareil puisse s'échapper librement ;
 - Assurez-vous que de l'air froid de convection puisse alimenter librement l'appareil des deux côtés de ce dernier.

- Des rideaux par exemple peuvent obstruer l'arrivée d'air à la suite d'une aspiration du ventilateur de convection. Évitez que l'air chaud de convection ne puisse circuler à nouveau au travers de l'arrivée d'air froid de convection.

! Astuce - Éviter qu'une grille de construction/des résidus de forage ne viennent polluer l'appareil ;
- Ne montez l'enveloppe extérieure qu'après avoir exécuté le contrôle final décrit dans la section 7.

- Prévoyez un raccordement au gaz sur place. Pour plus de détails, voir la section 5.3.
- Prévoyez un raccordement électrique sur place. Pour plus de détails, voir la section 5.4.
- Ôtez l'enveloppe extérieure :
- Dévissez les vis de chaque côté de l'enveloppe extérieure (voir la fig. 4) ;
- Soulevez l'enveloppe extérieure d'environ 1 cm et faites glisser/soulever l'enveloppe vers l'avant.



Attention Évitez d'endommager le câblage lorsque vous ôtez l'enveloppe.

- Placez l'appareil à l'endroit prévu.
- Forez des trous pour monter l'appareil.
- Fixez l'appareil au mur, en utilisant les chevilles, les rondelles et les vis fournies.

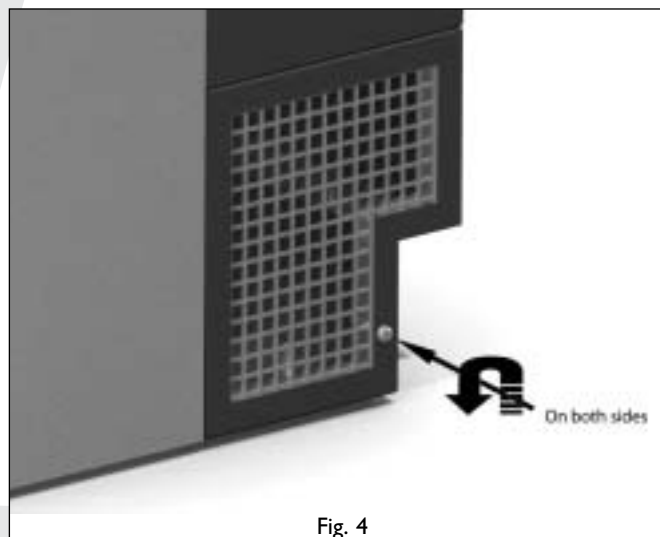


Fig. 4

5.7 Conduits d'évacuation des produits de combustion et d'amenée d'air

5.7.1 Construction

Pour les Power Flue 7kW et 12kW, la longueur maximale des conduits d'évacuation (verticaux et horizontaux) est de 10 mètres en utilisant un maximum de 2 coudes de 90° ; si 3 coudes de 90° sont utilisés, la longueur totale maximale du système d'évacuation est de 6 mètres, et si 4 coudes de 90° sont utilisés, la longueur maximale est de 2 mètres.

En ce qui concerne le Power Flue 16 kW, la longueur maximale des conduits d'évacuation (verticaux et horizontaux) est de 3 mètres, avec un maximum d'1 seul coude de 90°.
Suivant la construction, l'appareil est installé à l'aide d'une restriction.

Pour la version 7kW, la restriction (fournie) est montée sur le ventilateur de combustion. Veuillez noter que la restriction fait partie du venturi sur le ventilateur de combustion.

Pour le Power Flue 7kW, la restriction est de 22,5 mm lorsque vous utilisez du gaz naturel et du propane.

Le tableau 2 ci-dessous indique les réglages de la

restriction en rapport avec la construction du système d'évacuation et le type de gaz utilisé.

Sur les versions 12kW et 16kW, la restriction – si nécessaire – sera placée dans le raccord du conduit d'évacuation des gaz du manifold, avec un mastic thermorésistant. (voir fig. 7).

Sur le Power Flue 12kW, une restriction n'est requise que si l'appareil est directement raccordé au terminal mural. Si vous utilisez du gaz naturel, la restriction sera de 36 mm, et si vous utilisez du propane, elle sera de 45 mm.

Pour le Power Flue 16kW, une restriction de 45 mm n'est également requise qu'en cas de raccordement direct au terminal mural. Cette valeur s'applique en cas d'utilisation du gaz naturel comme du propane.

Tableau 2 : Relations entre restriction, construction du système d'évacuation et type de gaz

Type	Type de gaz	Nombre de coudes de 90°	Longueur de tuyaux (mètres)	Restriction (mm)	Remarques
7kW	G20/G31	0	0	22,5	Raccord direct au terminal mural
		0	1-10	22,5	La restriction fait partie intégrante du tuyau venturi.
		1	1-10	22,5	
		2	1-10	22,5	
		3	1-6	22,5	
		4	1-2	22,5	
12kW	G20	0	0	36	Raccord direct au mur du terminal mural
		0	1-10	aucune	
		1	1-10	aucune	
		2	1-10	aucune	
		3	1-6	aucune	
		4	1-2	aucune	
	G31	0	0	45	Raccord direct au terminal mural
		0	1-10	aucune	
		1	1-10	aucune	
		2	1-10	aucune	
		3	1-6	aucune	
		4	1-2	aucune	
16kW G20/G31		0	0	45	Raccord direct au terminal mural
		0	1-3	aucune	
		1	1-3	aucune	

5.7.2 Mise en place du kit de conduits standard



! Attention Utilisez uniquement le kit de conduits standard fourni par Drugasar.

- ! Attention**
- Les côtés coupants des conduits d'évacuation des gaz de combustion flexibles sont bien tranchants ;
 - Les coudes dans le conduit flexible d'évacuation de gaz et le tuyau d'amenée d'air de combustion doivent être aussi réguliers que possible pour réduire la résistance au minimum ;
 - Le Power Flue 16kW présente 2 raccords d'amenée d'air de combustion sur l'appareil. Ils doivent tous deux être raccordés et combinés à l'aide d'un assemblage en T (voir la fig. 5).

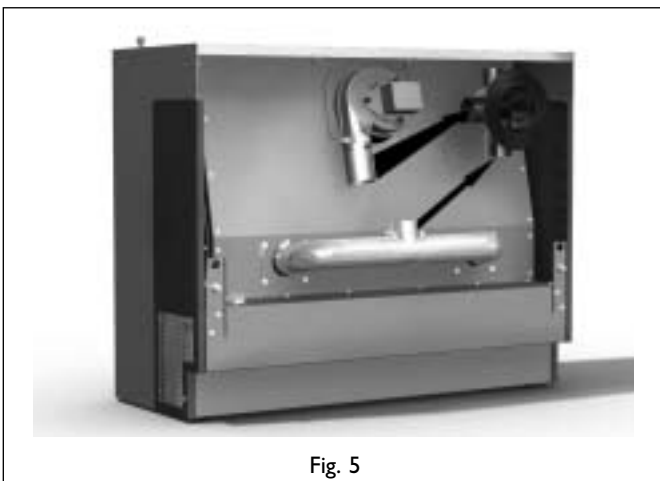


Fig. 5

Suivez les étapes ci-dessous pour monter le kit de conduits standard :

- Assurez-vous que le conduit flexible d'évacuation des gaz de combustion présente les bonnes dimensions
- D'un côté du conduit d'évacuation flexible des gaz de combustion, appliquez du mastic thermorésistant dans les fentes à l'intérieur.
- Ajoutez les étriers pour tuyaux
- Faites glisser le conduit flexible d'évacuation sur le tuyau venturi qui est raccordé au ventilateur de combustion (voir la fig. 6).

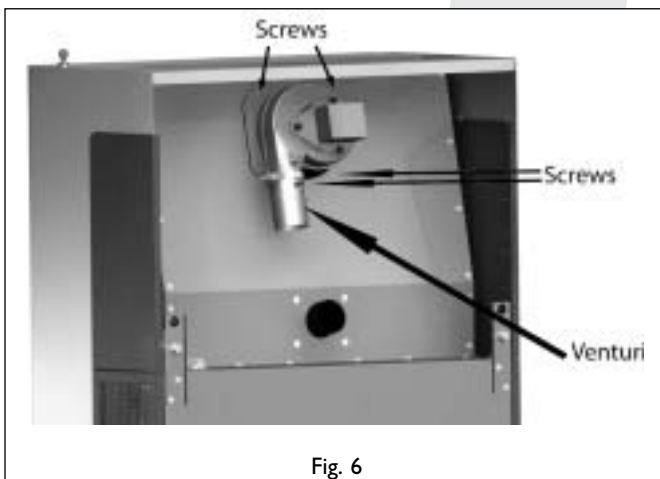


Fig. 6

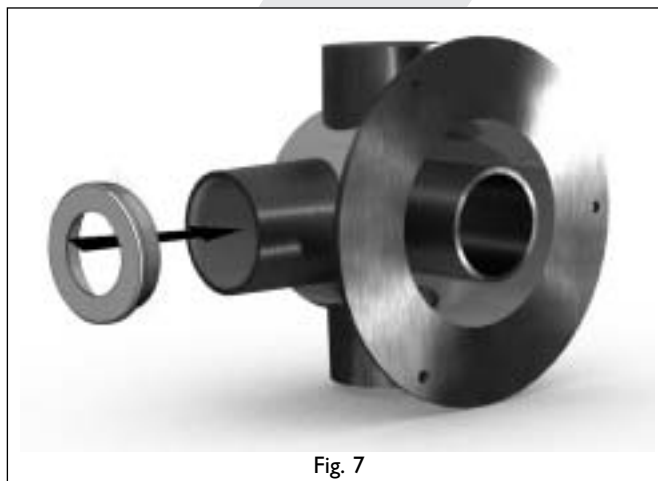


Fig. 7

- Raccordez le conduit flexible de fumée sur le manifold comme décrit plus haut.
- Serrez les étriers pour tuyaux.
- Assurez-vous que le conduit flexible d'alimentation d'air de combustion présente les bonnes dimensions.
- Connectez ce conduit à l'appareil et au manifold en utilisant les étriers pour tuyaux standard fournis.
- Fermez le raccord d'alimentation d'air de combustion inutilisé sur le manifold en utilisant la cheville en silicone fournie.

5.7.3 Mise en place du conduit d'extension



! Attention - Montez les conduits de fumée inclinés vers l'appareil.

- Placez une purge de condensats avec siphon en U dans la partie rigide du système d'évacuation, si la longueur totale dépasse 3 mètres ;
- Installez la purge de condensats dans un rayon de 3 mètres de l'appareil, et de préférence aussi près que possible de ce dernier.

! Attention

- Raccordez des éléments de tuyaux/ coudes rigides sur le manifold. Vous ne pouvez utiliser les conduits d'évacuation/ tuyaux d'alimentation d'air flexibles que sur l'appareil ;
- Éviter qu'une grille de construction/des résidus de forage ne viennent polluer l'appareil ;

! Astuce

Le conduit d'extension peut, au choix, être raccordé sur le côté gauche ou le côté droit de l'appareil.

Procédez comme suit pour installer le conduit d'extension (voir la fig. 8) :

- Montez les crochets requis pour le conduit rigide d'évacuation des gaz en aluminium et le tuyau rigide d'alimentation d'air de combustion en aluminium.
- Voir également la fig. 3b pour la position possible des tuyaux.
- Montez les tuyaux et tous les coudes en aluminium rigide.

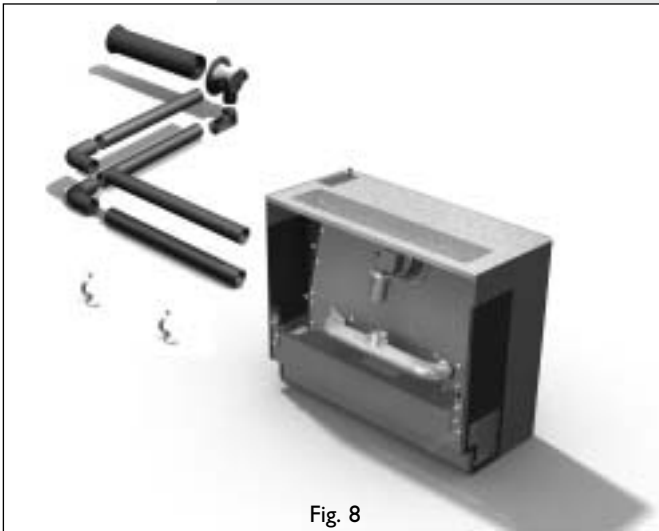


Fig. 8

- Raccordez le conduit d'évacuation /tuyau d'alimentation d'air flexibles tel que décrit plus haut pour le kit de conduits standard à la section 5.7.2
- Si nécessaire, fixez la restriction dans le raccord du conduit d'évacuation des gaz du manifold avec le mastic thermorésistant fourni ; voir le Tableau 2 ; voir la Fig. 7.

5.8 Comment raccorder le gaz

Procédez comme suit pour effectuer le raccordement au gaz ; à ce sujet, voir également la section 5.3, Raccordement au gaz :

! Astuce Le raccordement au gaz peut, au choix, être raccordé sur le côté gauche ou le côté droit de l'appareil.

- Si nécessaire, soufflez dans le tuyau à gaz.
- Connectez le conduit de gaz avec le robinet à gaz sur le conduit de 15mm de l'appareil

! Attention Ne tournez pas le robinet à gaz lorsque vous raccordez le conduit à gaz.

- Purgez le conduit à gaz.

5.9 Conversion au propane

Si nécessaire, l'appareil peut être converti à l'utilisation du propane.

Pour ce faire, l'injecteur doit être remplacé et la pression du brûleur doit être adaptée. Procédez tel que décrit ci-après :



- ! Attention** - Fermez le robinet à gaz ;
 - Éteignez le commutateur omnipolaire ;
 - Retirez le fusible principal.

- Retirez le bouchon d'allumage.
- Retirez le joint autour de la broche d'électrode.
- Dévissez les 4 vis des plaques de couverture autour du conduit à gaz et de la broche d'allumage (voir la fig. 9).
- Retirez les plaques de couverture.
- Dévissez le raccord en cuivre du conduit à gaz sous la

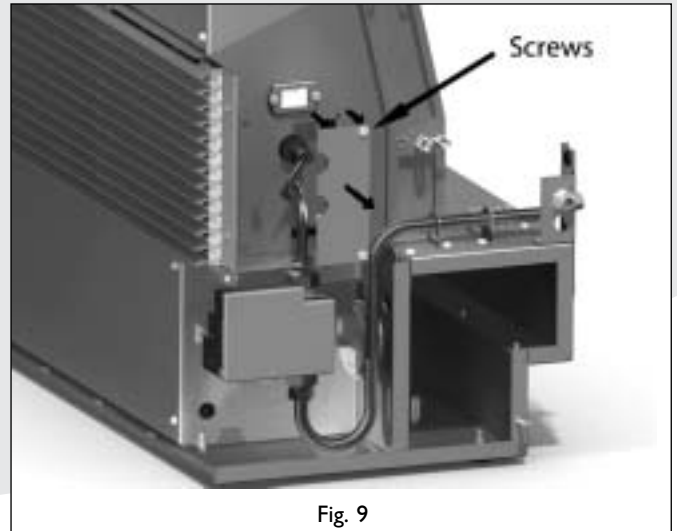


Fig. 9

broche d'électrode.

- Dévissez le raccord en cuivre du conduit à gaz sur la vanne de contrôle du gaz.

! Attention Assurez-vous que les bagues filetés de réduction sur la vanne de contrôle du gaz restent immobiles.

- Retirez le conduit de gaz de l'appareil.
- Retirez le support de l'injecteur.
- Remplacez l'injecteur par un injecteur pour propane.
- Réassemblez le tout dans l'ordre inverse.
- Adaptez la pression du brûleur au propane, en utilisant le point de test et la vis de réglage ; voir la fig. 10. L'annexe 3 contient la pression de gaz requise pour les différentes versions de l'appareil.

! Attention Lorsque vous contrôlez/adaptez la pression du brûleur, l'appareil doit être en marche depuis au moins 10 min.

! Astuce La vis de réglage est située derrière la vis de protection.

5.10 Raccordement de l'équipement électrique



! Attention L'appareil doit être relié à la terre.

! Astuce Le raccordement électrique peut, au choix, être effectué sur le côté gauche ou le côté droit de l'appareil.

Dans son modèle standard, l'appareil est conçu pour l'utilisation d'une horloge extérieure et/ou un thermostat via un câble à 5 fils ; à ce propos, voir le schéma électrique à l'annexe 2. Lorsque l'horloge externe et/ou le thermostat ne sont pas utilisés, le relais peut être contourné en raccordant les contacts. Ou connectez l
 → -N et 2 → -L

- Connectez le câblage électrique conformément au schéma.

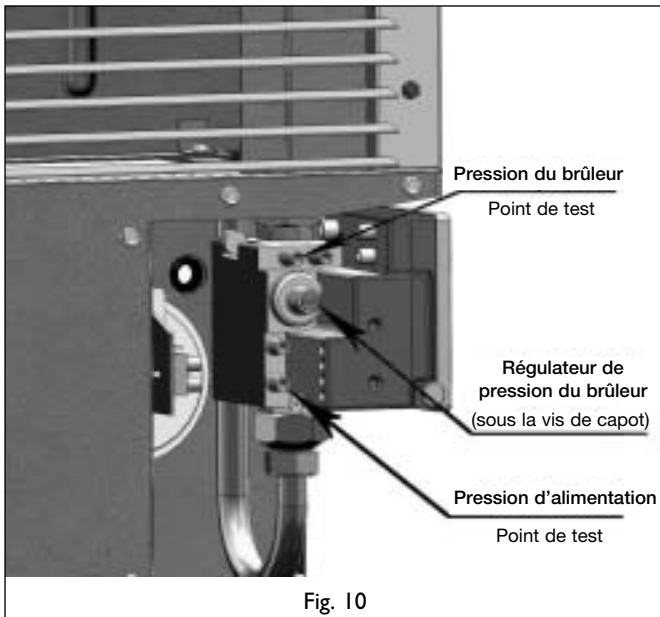


Fig. 10

6. Utilisation de l'appareil

6.1 Panneau de commande

Le panneau de commande est situé sous le couvercle en haut de l'appareil.

Ce couvercle est équipé d'un verrou. Sur le panneau vous trouverez (voir la fig. 11)

- commutateur été/hiver ;
- thermostat ;
- mode verrouillage ;
- bouton de réinitialisation ;
- fusible.

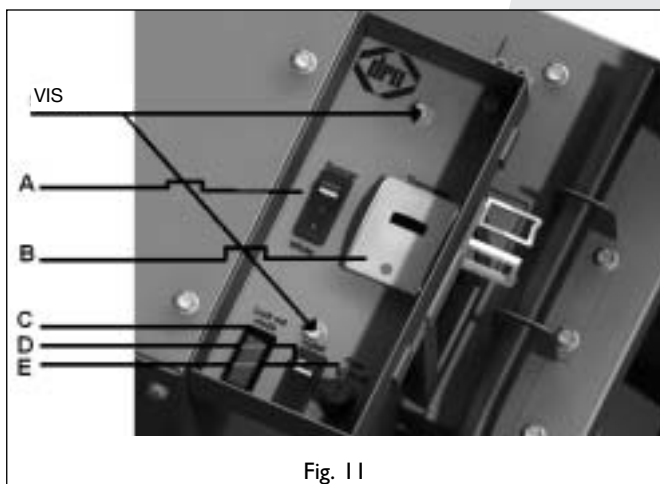


Fig. 11

sous a)
Position "0"

En position "0", l'appareil est éteint

position hiver

En position hiver, vous avez 2 options :

- L'appareil est contrôlé par une horloge externe et/ou un thermostat ;

- L'appareil est uniquement contrôlé par le thermostat interne.

position été

En position été, l'appareil fonctionnera indépendamment d'une horloge externe et/ou d'un thermostat. Dans cette position, seul l'air de convection (= air ambiant) circule.

Sous b)

Le thermostat (interne) peut être réglé entre 5 °C et 35 °C.

La diode verte du thermostat s'allumera si l'appareil est allumé et si le thermostat n'est pas "demandeur". La diode rouge s'allumera si l'appareil est allumé et si le thermostat est "demandeur".

Sous c)

En cas de dysfonctionnement, le témoin rouge du mode de verrouillage s'allumera.

Sous d)

En cas de dysfonctionnement, l'appareil peut être réinitialisé en utilisant le bouton de réinitialisation.

6.2 Allumer l'appareil pour le chauffage

- Réglez l'horloge externe et/ou le thermostat, le cas échéant.
- Réglez le thermostat à la température requise.
- Réglez le commutateur sur la position hiver.



Attention Environ 30 secondes après avoir allumé le brûleur, le ventilateur de convection doit démarrer également. La grille d'aération laissera alors passer de l'air chaud.

6.3 Allumer l'appareil pour la circulation d'air

- Réglez le commutateur sur la position été. L'appareil fera constamment circuler l'air de convection (= air ambiant).

6.4 Éteindre l'appareil

- Réglez le commutateur sur la position "0".

7. Contrôle final

Pour contrôler que l'appareil fonctionne bien et en toute sécurité, veuillez procéder comme suit avant d'utiliser l'appareil.

7.1 Imperméabilité au gaz



Attention Toutes les connexions doivent être étanches au gaz.

! Attention

La pression d'alimentation sur la vanne de contrôle de gaz ne doit pas dépasser 50 mbars.

- Contrôlez les raccords quant à leur imperméabilité au gaz.
- Rendez les raccords étanches au gaz si nécessaire

7.2 Pression de gaz / pression d'alimentation

La pression du brûleur est réglée en usine pour l'utilisation du gaz naturel ; voir la plaque signalétique. Il n'est pas nécessaire de contrôler la pression du brûleur après installation. Les installations de pression d'alimentation dans vos locaux doivent être contrôlées car elles peuvent varier.



- Attention** - Après une conversion au propane, la pression du brûleur doit être contrôlée et adaptée si nécessaire.
- Après des travaux de maintenance, la pression du brûleur doit être contrôlée et adaptée si nécessaire, que vous utilisiez du gaz naturel ou du propane.

Procédez comme suit ; voir la fig. 10 :

- Contrôlez la pression d'alimentation.
- Contactez la compagnie gazière si la pression d'alimentation n'est pas correcte.
- Si nécessaire, contrôlez la pression du brûleur ; voir l'Annexe 3 pour la pression du brûleur requise.

! Attention Lorsque vous contrôlez/adaptez la pression du brûleur, l'appareil doit être en marche depuis au moins 10 min.

- Adaptez la pression du brûleur, si nécessaire.

! Astuce La vis de réglage est située derrière la vis du capot

7.3 Allumage du brûleur

Pour l'allumage du brûleur, voir la section 6.2.

! Attention Après 5 tentatives d'allumage, l'appareil passera en mode de verrouillage

- Allumez le brûleur
- Contrôlez si le ventilateur de convection fonctionne.
- Voir dans le Tableau 3, Diagnostic de dysfonctionnements, si le ventilateur de convection ne fonctionne pas et/ou si le brûleur ne s'allume pas

7.4 Aspect des flammes

- Contrôlez l'aspect des flammes.
Si l'aspect des flammes n'est pas acceptable, procédez comme suit :
- Contrôlez si l'évacuation des produits de combustion et/ou l'amenée d'air sont obstruées.
- Si nécessaire, remédiez à l'obstruction.

7.5 Conduits d'évacuation des produits de combustion et d'amenée d'air

- Contrôlez l'évacuation des produits de combustion et d'amenée d'air quant à leur imperméabilité au gaz.
- Contrôlez si les conduits d'évacuation des produits de combustion et d'amenée d'air sont dégagés par exemple du câblage électrique, du boîtier de convection.
- Si une panne se produit, réparez-la.

8. Retrait / remplacement de l'enveloppe extérieure

L'enveloppe extérieure peut être retirée comme suit :



Attention Évitez d'endommager le câblage lorsque vous ôtez l'enveloppe.

- Dévissez les vis de chaque côté de l'enveloppe extérieure (voir la fig. 4) ;
- Soulevez l'enveloppe extérieure d'environ 1 cm et faites glisser/soulevez l'enveloppe vers l'avant.

Remplacez-la dans l'ordre inverse de la procédure de retrait.

! Astuce Si l'enveloppe extérieure est placée pour la première fois, les entrées défonçables concernées doivent être retirées au préalable.

! Attention Assurez-vous que le crochet de mise en place tombe bien dans les encoches prévues.

9. Maintenance

Une fois par an, l'appareil doit être contrôlé, nettoyé et, si nécessaire, réparé par un installateur qualifié dans le domaine des chauffages au gaz.

Contrôlez que l'appareil fonctionne bien et en toute sécurité.



- Attention**
- Fermez le robinet à gaz ;
 - Éteignez le commutateur omnipolaire ;
 - Retirez le fusible principal pendant les travaux de maintenance ;
 - Contrôlez l'imperméabilité au gaz après une réparation.

9.1 Instructions de maintenance

Exécutez les travaux de maintenance comme décrit ci-après :

- Retirez l'enveloppe extérieure, voir la section 8.
- Nettoyez les filtres comme suit :
 - Aspirez/soufflez dans le filtre pour le nettoyer. Si le filtre n'est pas suffisamment propre, vous devez
 - Dévisser les 4 vis ;
 - Retirer le filtre ;
 - Nettoyer le filtre à grande eau en vous aidant également d'une brosse douce.
- Exécutez la procédure ci-dessus pour les deux filtres.
- Vérifiez si les ventilateurs sont propres et nettoyez-les dans le cas contraire.
- Contrôlez si les ventilateurs fonctionnent bien et remplacez-les si nécessaire ; voir la section 9.2.
- Inspectez les conduits d'évacuation des produits de combustion et d'amenée d'air et, si nécessaire, remplacez le conduit flexible d'évacuation des produits de combustion.
- Si nécessaire, nettoyez le brûleur et l'injecteur. Pour le retrait du brûleur, voir la section 9.2.1.
- Effectuez un contrôle tel que décrit au chapitre 7.

9.2 Remplacement de pièces

Voici comment les différentes pièces peuvent être remplacées.

- Retirez l'enveloppe extérieure, à ce propos, voir la section 8.

9.2.1 Brûleur

!Attention Uniquement pour le Power Flue 7kW

- Retirez la plaque de couverture à gauche sur le boîtier de convection ; voir la fig. 12 ;
- Dévissez l'écrou ;
- Retirez la rondelle et le joint torique.

Pour tous les appareils, continuez tel que décrit ci-après :

- Retirez le bouchon d'allumage.
- Retirez le joint autour de la broche d'électrode.
- Dévissez les 4 vis des plaques de couverture autour du conduit à gaz et de la broche d'allumage (voir la fig. 9).
- Retirez les plaques de couverture.
- Dévissez le raccord en cuivre du conduit à gaz sous la broche d'allumage.
- Dévissez le raccord en cuivre du conduit à gaz sur la vanne de contrôle du gaz.

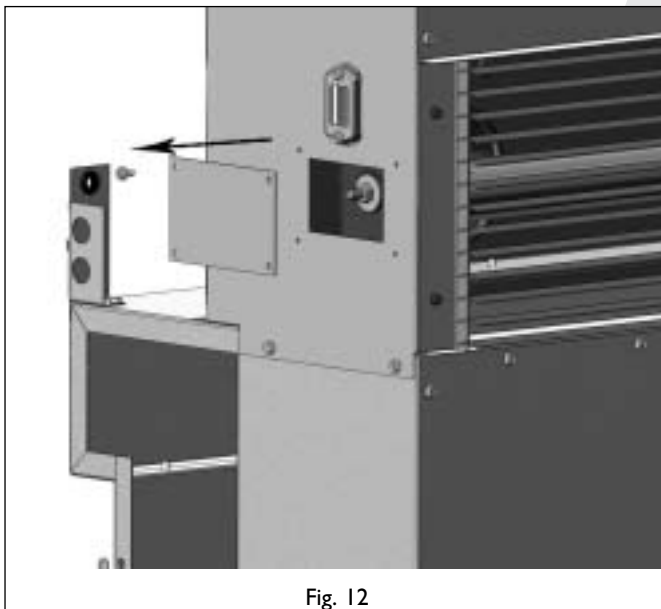


Fig. 12

!Attention Assurez-vous que les bagues filetées de réduction sur la vanne de contrôle du gaz restent bien immobiles.

- Retirez le conduit de gaz de l'appareil.
- Retirez les 4 vis du brûleur ; voir la fig. 13.
- Retirez minutieusement le conduit du brûleur de la chambre de combustion.
- Placez le nouveau brûleur dans l'ordre inverse.

!Attention Uniquement pour les Power Flue 12kW et 16 kW

- Placez la broche à l'extrémité du conduit du brûleur sur le V ; voir la fig. 14 ;
- Positionnez le conduit du brûleur de manière à ce que la broche tombe dans le trou.

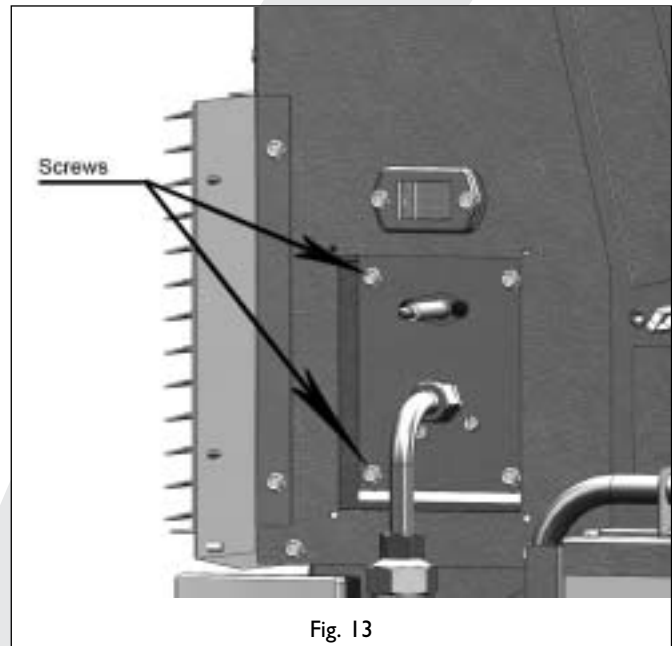


Fig. 13

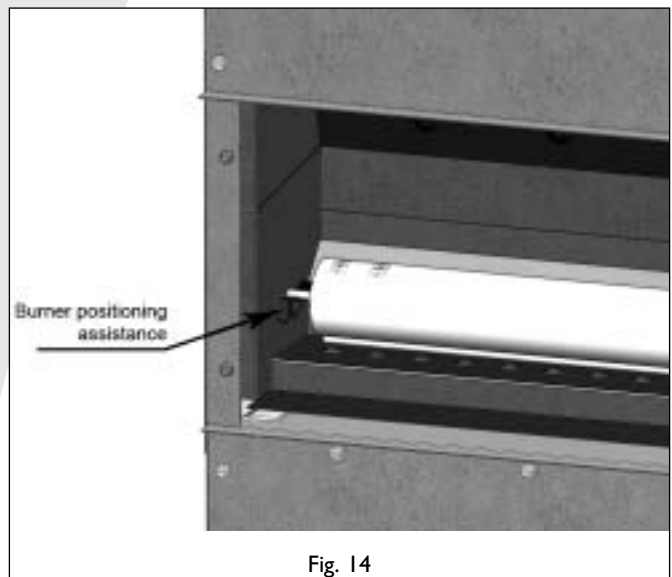


Fig. 14

- Vérifiez la pression d'alimentation.
- Vérifiez la pression du brûleur et, si nécessaire, adaptez-la comme décrit dans la section 7.2

9.2.2 Broche d'électrode

- Retirez le bouchon d'allumage.
- Retirez le joint autour de la broche d'électrode.
- Dévissez les 4 vis des plaques de couverture autour du conduit à gaz et de la broche d'électrode (voir la fig. 9).
- Retirez les plaques de couverture.
- Retirez les 2 vis de la plaque de montage.
- Retirez la broche d'électrode.
- Placez la nouvelle broche d'électrode dans l'ordre inverse.

9.2.3 Séquence d'allumage automatique

- Retirez les 2 vis du couvercle sur la séquence d'allumage automatique (voir la fig. 15)
(la vis supérieure est utilisée pour fixer le brûleur

automatique sur la vanne de contrôle du gaz ; la vis inférieure fixe le couvercle)

- Retirez le couvercle.
- Sortez les 2 connecteurs hors de la séquence d'allumage automatique (voir la fig. 16).
- Sortez le câble d'allumage.
- Retirez la séquence d'allumage automatique en la retirant par le devant de l'appareil.
- Placez la nouvelle séquence d'allumage automatique dans l'ordre inverse.

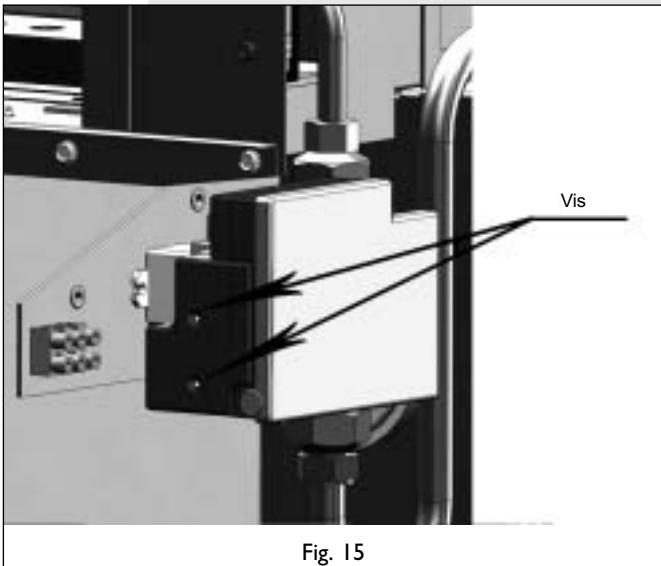


Fig. 15



Fig. 16

- ! Attention**
- Placez la séquence d'allumage automatique de manière à ce que le connecteur soit à nouveau raccordé ;
 - Évitez que le câblage ne se coince sous le couvercle.

9.2.4 Vanne de contrôle de gaz

- Retirez la séquence d'allumage automatique tel que décrit dans la section 9.2.3 ci-dessus.
- Retirez le bouchon d'allumage.
- Retirez le joint autour de la broche d'électrode.
- Dévissez les 4 vis des plaques de couverture autour du conduit à gaz et de la broche d'électrode (voir la fig. 9).
- Retirez les plaques de couverture.
- Dévissez le raccord en cuivre du conduit à gaz sous la broche d'électrode.
- Dévissez le raccord en cuivre du conduit à gaz sur la vanne de contrôle du gaz.
- Déconnectez le câble de terre.
- Retirez la vanne de contrôle de gaz.
- Déconnectez les bagues filetées de réduction (en haut et en bas) de la vanne de contrôle de gaz.
- Connectez les bagues filetées de réduction à la nouvelle vanne de contrôle de gaz.

! Attention Utilisez de nouveaux joints toriques lorsque vous montez les bagues filetées de réduction.

- Placez la vanne de contrôle de gaz dans l'ordre inverse.
- Adaptez la pression du brûleur tel que décrit dans la section 7.2
- Effectuez un contrôle final tel que décrit au chapitre 7.

9.2.5 Ventilateur de convection

- Sur l'appareil, déconnectez le câblage électrique du ventilateur de convection (voir la fig. 17).
- Retirez les vis de la plaque de couverture inférieure à l'avant de l'appareil.
- Retirez cette plaque.
- Retirez le câble électrique des colliers de câbles.
- Retirez les 4 vis des chapeaux de douille qui sont utilisées pour monter le ventilateur (voir la fig. 18).
- Retirez le ventilateur.
- Placez le nouveau ventilateur dans l'ordre inverse.

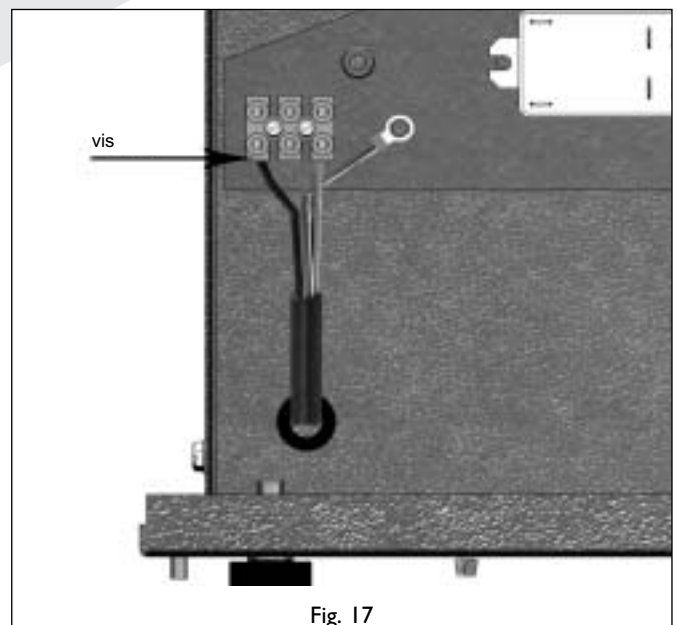


Fig. 17

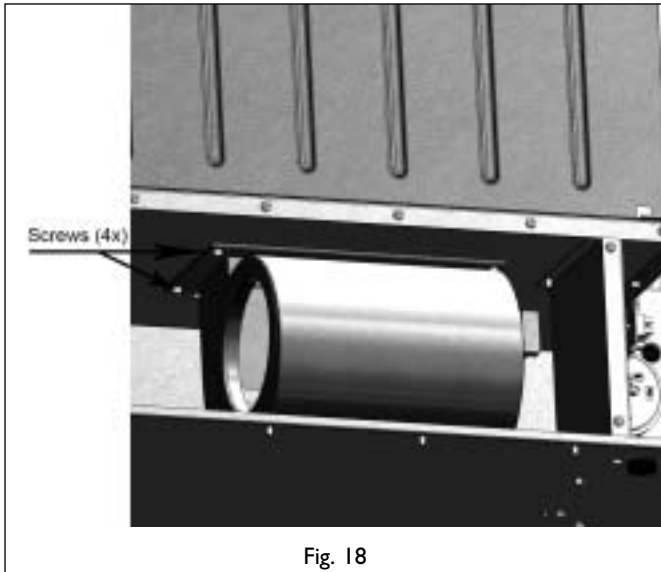


Fig. 18

9.2.6 Ventilateur de combustion

- Retirez la fixation du conduit flexible d'évacuation des produits de combustion.
- Retirez le conduit flexible d'évacuation des produits de combustion.
- Retirez la fixation qui est utilisée pour monter le tuyau venturi sur le ventilateur.
- Retirez le tuyau venturi.
- Déconnectez le tuyau à air du ventilateur (point de mesure positif).
- Déconnectez le câblage électrique du ventilateur.
- Retirez les 4 vis de la plaque d'assemblage (voir la fig. 6).
- Retirez l'ensemble du ventilateur.
- Retirez les 3 vis raccordant le ventilateur à la plaque d'assemblage.
- Retirez le ventilateur.
- Placez le nouveau ventilateur dans l'ordre inverse.

- ! Attention** - Utilisation de nouveaux joints ;
- Fixez le tuyau venturi en utilisant du mastic thermorésistant avec la fixation ;
 - Fixez également le conduit d'évacuation flexible en utilisant le mastic et la fixation ;
 - Assurez-vous que le câblage est dégagé de la boîte de convection et du boîtier du ventilateur.

9.2.7 Commutateur de limite de température (thermostat maximum)

- Débranchez les raccords rapides du raccordement électrique.
- Retirez les 2 vis de la plaque de montage (voir la fig. 19 des Power Flue 12/16kW).

- !Astuce** Uniquement pour le Power Flue 7kW :
- Retirez les 2 vis du panneau de commande (voir la fig. 11) ;
 - Soulevez légèrement le panneau ;
 - Retirez la vis supérieure de la plaque de montage.

- Retirez le commutateur.
- Placez le nouveau commutateur dans l'ordre inverse.

- ! Attention** Pour le Power Flue 16kW, 2 bagues d'écartement et un joint sont utilisés.

9.2.8 Commutateur du ventilateur de convection

- Déconnectez les raccords rapides du raccordement électrique.
- Retirez les 2 vis de la plaque de montage (voir la fig. 19) ;

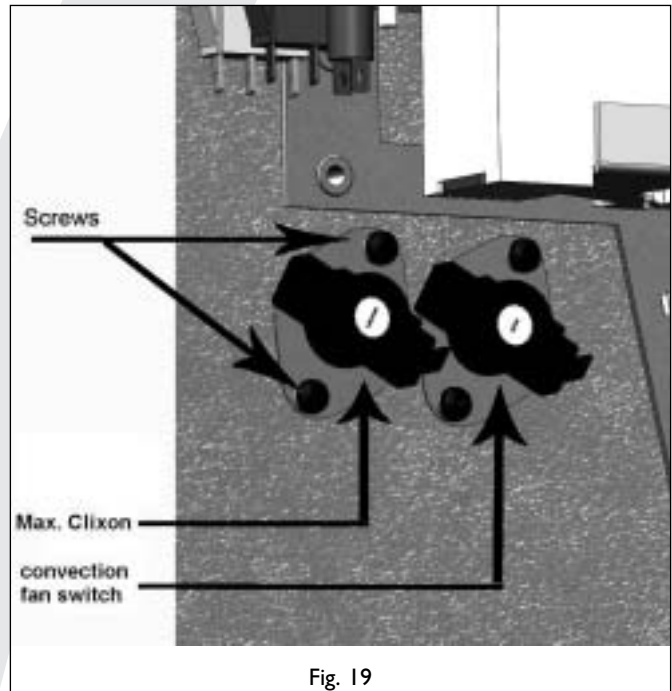


Fig. 19

- !Astuce** Uniquement pour le Power Flue 7kW :
- Retirez les 2 vis du panneau de commande (voir la fig. 11) ;
 - Soulevez légèrement le panneau ;
 - Retirez la vis supérieure de la plaque de montage.

- Retirez le commutateur.
- Placez le nouveau commutateur dans l'ordre inverse

9.2.9 Thermostat

- Retirez les 2 vis sur le panneau de commande (voir la fig. 11)
- Soulevez légèrement le panneau de commande
- Retirez le thermostat.
- Déconnectez le câblage.
- Placez le nouveau thermostat dans l'ordre inverse.

9.2.10 Capteur de température CTN

Le capteur de température est situé dans l'amenée d'air de convection, au niveau du filtre sur le côté droit de l'appareil.

- Retirez les 2 vis du panneau de commande.
- Soulevez le panneau de commande et glissez-le légèrement sur le côté.
- Déconnectez les câbles du capteur de température sur le thermostat.
- Retirez le capteur de température.
- Placez le nouveau capteur de température dans l'ordre inverse.

9.2.11 Commutateur de pression d'air

- Dévissez les vis.

! Astuce Vous pouvez atteindre les vis via l'amenée d'air de convection sur le côté droit

- Déconnectez les conduits.
- Déconnectez le câblage.

! Attention

- Souvenez-vous de la manière dont les conduits sont raccordés ;
- Souvenez-vous de la manière dont le câblage est raccordé ;
- Le point de réglage du commutateur de pression de l'air dépend du type d'appareil.

- Retirez le commutateur de pression de l'air.
- Placez le nouveau commutateur de pression de l'air dans l'ordre inverse.

10. Livraison

Vous devez expliquer à l'utilisateur comment faire fonctionner l'appareil.

Vous devez expliquer à l'utilisateur comment utiliser l'appareil pour la première fois, son fonctionnement et sa maintenance annuelle.



Attention - Demandez à l'utilisateur de fermer le robinet de gaz immédiatement et d'éteindre le commutateur omnipolaire en cas de dysfonctionnement/mauvaises performances ainsi que de contacter l'installateur afin d'éviter toute situation dangereuse ;

- Indiquez l'emplacement du robinet à gaz ;
- Indiquez l'emplacement du commutateur omnipolaire.

- Expliquez à l'utilisateur comment l'appareil fonctionne.
- Rappelez à l'utilisateur que l'appareil requiert une maintenance annuelle.
- Remettez le manuel de l'utilisateur et le manuel d'installation à l'utilisateur.
(le manuel d'installation doit être conservé à proximité de l'appareil).

11. DYSFONCTIONNEMENTS

Le tableau ci-dessous vous présente un aperçu de dysfonctionnements qui peuvent survenir ainsi que des causes possibles et des solutions à apporter.

Tableau 3 diagnostic des dysfonctionnements

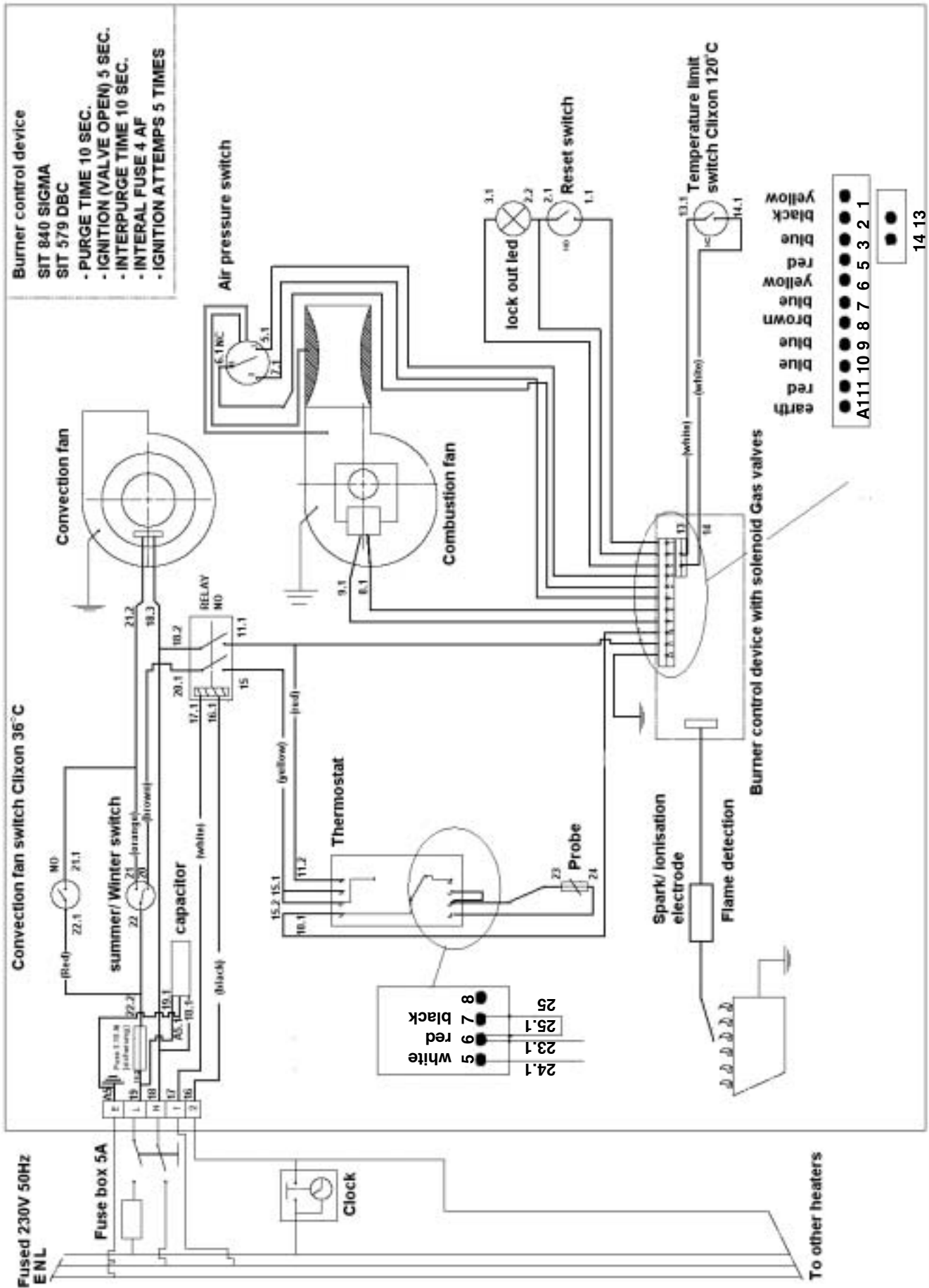
PROBLÈME OBSERVÉ :	CAUSE DU PROBLÈME :	SOLUTION :
A. L'appareil ne réagit pas/ne fonctionne pas	<ol style="list-style-type: none"> 1. L'horloge n'est pas bien réglée 2. Le thermostat est mal réglé 3. Le commutateur été/hiver est dans la mauvaise position 4. Le commutateur omnipolaire est sur off 5. Le fusible principal est défectueux 6. Fusible de l'appareil défectueux (sur le panneau de commande) 	<ol style="list-style-type: none"> 1. Réglez l'horloge correctement 2. Réglez le thermostat correctement 3. Placez le commutateur dans la bonne position 4. Allumez le commutateur omnipolaire ; 5. Trouvez la cause du fusible défectueux et apportez-y une solution – puis remplacez le fusible principal 6. Trouvez la cause du fusible défectueux et apportez-y une solution - puis remplacez
B. Le commutateur de limite de température (clixon 120 °C) s'enclenche inopinément	<ol style="list-style-type: none"> 1. Filtres très encrassés 2. Appareil surchargé 3. Circuit d'air de convection obstrué 4. Ventilateur de convection très sale 5. Ventilateur de convection défectueux 	<ol style="list-style-type: none"> 1. Nettoyez les filtres 2. Contrôlez la pression du brûleur ; Si nécessaire, corrigez la pression du brûleur 3. Contrôlez le circuit d'air de convection : Si nécessaire, débloquez-le. 4. Nettoyez le ventilateur 5. Remplacez le ventilateur
C. Pas de gaz	<ol style="list-style-type: none"> 1. L'alimentation de gaz est interrompue ou arrêtée. 	<ol style="list-style-type: none"> 1. Contrôlez l'alimentation de gaz et si nécessaire, réparez-la
D. Pas d'allumage (étincelle)	<ol style="list-style-type: none"> 1. Le câble d'allumage est endommagé 2. La broche d'électrode est corrodée 3. Le commutateur de pression d'air ne fonctionne pas 4. Le ventilateur des gaz de combustion est très sale 5. Les conduits d'évacuation des produits de combustion et d'amenée d'air sont bouchés 6. Raccordements électriques incorrects 7. L'espace électrode / brûleur est trop petit ou trop grand 	<ol style="list-style-type: none"> 1. Remplacez le câble d'allumage 2. Remplacez la broche d'électrode. 3. Contrôlez les raccordements du commutateur de pression de l'air : - raccordez-le correctement - Si nécessaire, remplacez le commutateur de pression de l'air 4. Remplacez le ventilateur 5. Débouchez-les 6. Contrôlez les raccordements électriques : améliorez les raccordements si nécessaire. Remarque : le brûleur automatique est sensible aux phases 7. L'espace entre l'électrode et le brûleur doit être de 5 à 6 mm
	<ol style="list-style-type: none"> 7. Brûleur automatique défectueux 	<ol style="list-style-type: none"> 7. Remplacez le brûleur automatique
E. Le ventilateur de convection ne s'allume pas	<ol style="list-style-type: none"> 1. Le ventilateur de convection défectueux 2. Ventilateur de convection défectueux 	<ol style="list-style-type: none"> 1. Réglez le commutateur été/hiver sur la position été. Si le ventilateur de convection s'allume : - Contrôlez et, si nécessaire, remplacez le câblage - Si nécessaire, remplacez le commutateur 2. Réglez le commutateur été/hiver sur la position été. Si le ventilateur de convection ne démarre pas non plus en position été : - Contrôlez et, si nécessaire, remplacez le câblage - Si nécessaire, remplacez le ventilateur
F. Le brûleur s'allume, mais s'éteint après quelques secondes	<ol style="list-style-type: none"> 1. Polarité inversée 2. Obstruction partielle ou complète du conduit 	<ol style="list-style-type: none"> 1. Contrôlez si les polarités sont bien en place et modifiez si nécessaire 2. Contrôlez le conduit et le terminal et si nécessaire, dégagez l'obstruction

Annexe 1 Pièces incluses dans la livraison

Le tableau ci-dessous indique les pièces fournies avec l'appareil.

PIÈCE	K7	K12	K16	ORDERNR.
Manuel d'installation	1x	1x	1x	95762501
Manuel de l'utilisateur	1x	1x	1x	95762401
Mastic	1x	1x	1x	907918
Collier de serrage de tuyau standard 50-70mm	2x	2x	2x	806656
Collier de serrage de tuyau (64-67 mm)	2x	2x	2x	806763
Vis	8x	8x	8x	519456
Chevilles	8x	8x	8x	929964
Rondelles	2x	2x	2x	525015
Conduit d'évacuation l=600 inox	1x	1x	1x	24124
Conduit d'amenée d'air L-600mm alu	1x	1x	1x	24126
Presse-étoupe	1x	1x	1x	806695
Terminal mural	1x	1x	1x	24115
Manifold	1x	1x	1x	806643
Restriction uniquement k12	sans objet	1x	n.a.	806646
Restriction uniquement k16	sans objet	sans objet	1x	806647
Set de 2 clés de verrouillage	1x	1x	1x	806511
Cheville en silicone	1x	1x	1x	806818

Annexe 2 Schéma de câblage électrique



Annexe 3 Données techniques

Le tableau ci-dessous reprend les données techniques de l'appareil.

POWER FLUE

Type		7kW		12kW		16kW	
Type de gaz		G20	G31	G20	G31	G20	G31
Pression du brûleur	mbars	13,4	26	17,9	28,9	18,7	29
Charge nom. (Hs)	kW	8,4	8,3	14,3	13,9	19,6	18,8
Charge nom. (Hi)	kW	7,6	7,6	12,9	12,8	17,6	17,4
Puissance nominale	kW	7	7	12	11,8	16	15,7
Consommation	L/h	785	305	1360	517	1875	704
Injecteur du brûleur	mm	2,25	1,55	2,7	1,9	3,15	2,25
Classe d'efficacité		I	I	I	I	I	I

K7	230 - 240 Vca	50 Hz	Puiss. nom. 140 W	IP 20
K12	230 - 240 Vca	50 Hz	Puiss. nom. 140 W	IP 20
K16	230 - 240 Vca	50 Hz	Puiss. nom. 155 W	IP 20

Annexe 4 Pièces détachées

Les pièces détachées peuvent être commandées via www.drugasar.co.uk

