

TP7000 Series

Programmable Room Thermostats
when a higher flexibility of control is required



TP7000

- True 7 day programming
- 7 day or 5/2 day operation
- Up to 6 time and temperature changes a day
- Built-in holiday function
- Selectable Optimum Start Control
- On/Off or chrono-proportional regulation
- Convenient user overrides
- Wallplate construction



TP7000A with remote sensor



RX-1

Danfoss Randall Ltd

Amphill Road, Bedford, MK42 9ER, T: 0845 - 1217 400, F: 0845 - 1217 515

www.danfoss-randall.co.uk

TP7000 Series

Programmable Room Thermostat



For situations where a higher flexibility of control is required.

The TP7000 programmable room thermostat incorporates all of the useful features found earlier in the TP75 range into a new aesthetically pleasing design. The range includes hard-wired battery and mains powered models and a battery powered wireless model.

All models provide true 7 day programming options, with up to six time and temperature events being available each day. In addition to programmed set-back, all models can be set to turn off the heating if so desired.

To improve comfort and economy all models in the TP7000 range offer optional chrono-proportional control and optimum start control. These features are configured by the installer during commissioning.

For the user, many overrides, including a 99 day holiday programme provide easy day to day use reducing the likelihood of call-backs.

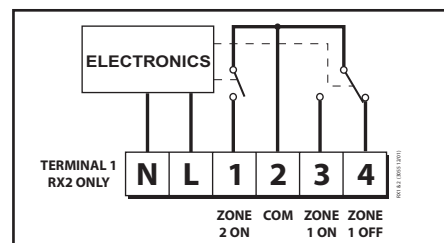


Hard-wired versions	TP7000	TP7000A	TP7000-M ⁽¹⁾
Code No. - hard-wired models, built-in sensors	087N740000		087N740800
Code No. - hard-wired models, remote sensor		087N740100	087N740900
Wireless versions	TP7000-RF		
Code No. - wireless model, built-in sensor ⁽²⁾	087N741000		
Code No. - for set c/w RX-1 receiver (single channel)	087N741800		
Programmable thermostat with 7 day or 5/2 day programme (AM/PM or 24 hour display)	•		
Temperature range (°C or °F display)	Off, 5-30°C (41-86°F)		
Up to 6 time and temperature events per day	Up to 6		
Room temperature override	•		
Display time or temperature	•		
Thermostat mode	•		
Extend function 1, 2 or 3 hours	•		
Holiday function, up to 99 days	•		
Chrono-proportional or on/off control	•		
Optimum start control	•		
Voltage rating of contacts (hard-wired models)	10-250 Vac, 50/60 Hz		
Current rating of contacts (hard-wired models) ⁽³⁾	3(1)A		
Switching action of contacts (hard-wired models)	1 SPDT		
Transmitter frequency (wireless models)	433.92 MHz		
Transmitter range (wireless models)	30 metres ⁽⁵⁾		
Power supply	2 x AA/LR6/MN1500 alkaline batteries ⁽⁴⁾		230 Vac, ± 15%
Maximum ambient temperature	45°C		
Dimensions (mm)	135 wide x 88 high x 28 deep		

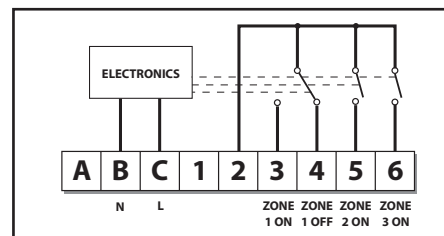
Notes:
 (1) TP7000M has battery back-up based upon Nickel Metal Hydride cell. This takes 6 days to fully charge, with a minimum of 24 hours before back-up service is available.
 (2) Requires RX receiver unit, please see table below.
 (3) When switching low voltage, contacts must carry a minimum of 10mA
 (4) Memory is retained for 1 minute during battery change
 (5) Please ensure there are no large metal objects between thermostat and receiver, as these will interfere with radio signal

Receivers (RF models)	RX-1	RX-2	RX-2C	RX-3
Code No.	087N747600	087N747700	087N747900	087N747800
Number of zones receiver covers	1	2	2	3
Power supply (receivers)	230 Vac, ±15%, 50/60 Hz			
Contact details	1-SPDT	1-SPDT, 1-SPST	2-SPDT	1-SPDT, 1-SPST
Contact rating	10-230 Vac, 3(1)A			
Dimensions (mm)	138 wide x 88 high x 32 deep			

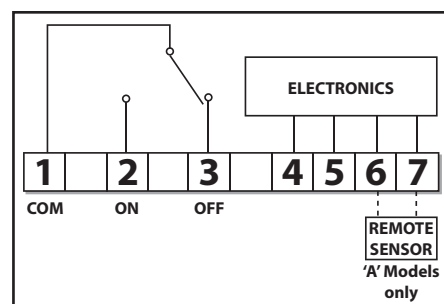
Wiring Details



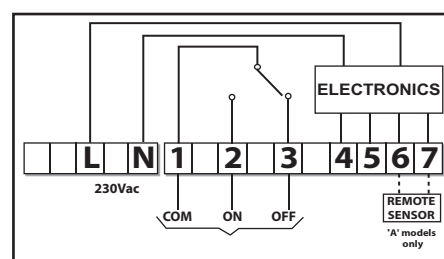
RX-1 and RX-2



RX-3



TP7000 and TP7000A



TP7000M and TP7000MA

Danfoss Randall Ltd

Ampthill Road, Bedford, MK42 9ER, T: 0845 - 1217 400, F: 0845 - 1217 515

www.danfoss-randall.co.uk

Part No: 594 Iss: 02 02/06