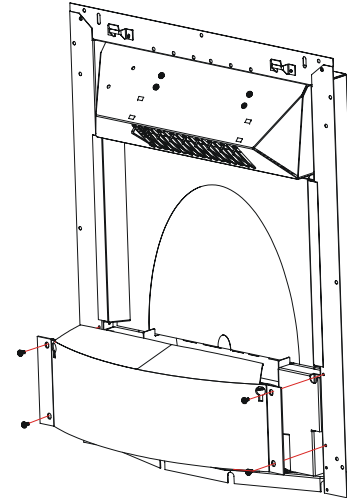


Addendum for 808 Instructions

For Aura, Camden, Aura2, Debut and Flare heaters the fuel support will require fitting before the fascia.

To do this, align the four holes in the fuel support with those in the heater.

Secure with four screws supplied.

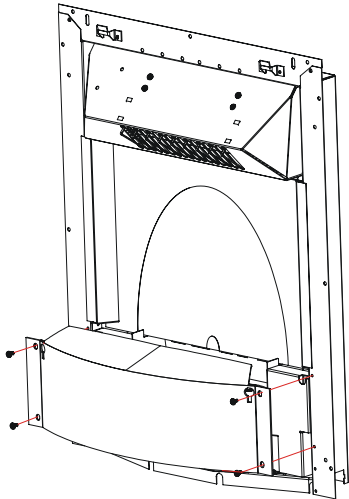


Addendum for 808 Instructions

For Aura, Camden, Aura2, Debut and Flare heaters the fuel support will require fitting before the fascia.

To do this, align the four holes in the fuel support with those in the heater.

Secure with four screws supplied.

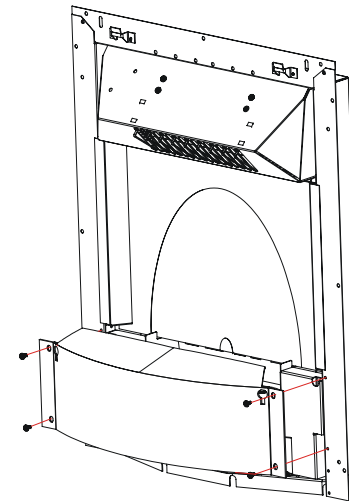


Addendum for 808 Instructions

For Aura, Camden, Aura2, Debut and Flare heaters the fuel support will require fitting before the fascia.

To do this, align the four holes in the fuel support with those in the heater.

Secure with four screws supplied.



Addendum for 808 Instructions

For Aura, Camden, Aura2, Debut and Flare heaters the fuel support will require fitting before the fascia.

To do this, align the four holes in the fuel support with those in the heater.

Secure with four screws supplied.