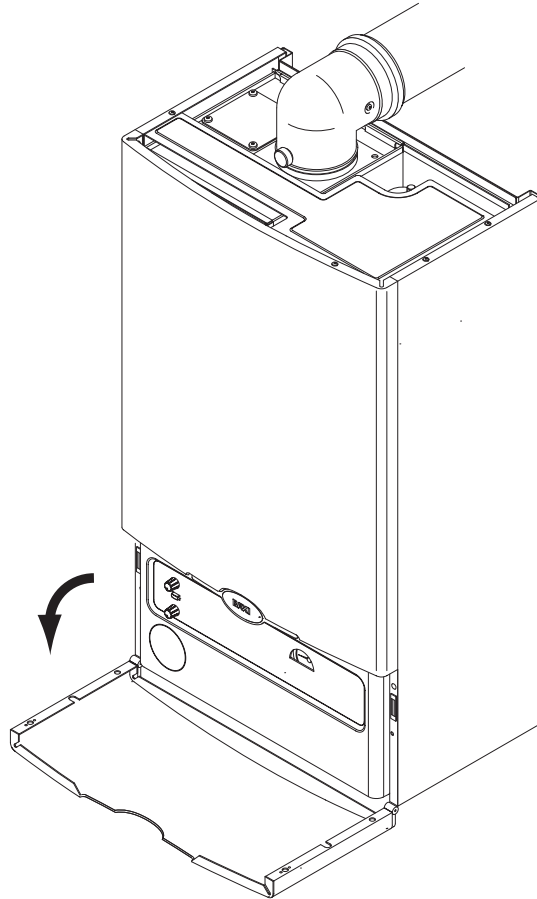


# BAXI

## User's Operating Instructions & Important Warranty Information



**Baxi Combi 133 HE Plus**

**Baxi Combi 100 HE Plus**

**Baxi Combi 80 HE Plus**

Gas Fired Wall Mounted Condensing  
Combination Boiler

**Please keep these instructions in a safe place.  
If you move house, please hand them over  
to the next occupier.**

## Natural Gas

**Baxi Combi 133 HE Plus**  
G.C.N° 47 075 14  
**Baxi Combi 100 HE Plus**  
G.C.N° 47 075 15  
**Baxi Combi 80 HE Plus**  
G.C.N° 47 075 16

## Contents

Section	Page
1.0 Quick Reference Guide	3
2.0 Troubleshooting	4
3.0 Repressurising	6
4.0 Clearances	7
5.0 Care of the Boiler	8
6.0 Legislation	9
7.0 Emergency	10
8.0 Warranty & Service	12

Baxi is one of the leading manufacturers of domestic heating products in the UK.

Our first priority is to give a high quality service to our customers. Quality is designed into every Baxi product - products which fulfil the demands and needs of customers, offering choice, efficiency and reliability.

To keep ahead of changing trends, we have made a commitment to develop new ideas using the latest technology - with the aim of continuing to make the products that customers want to buy.

Everyone who works at Baxi has a commitment to quality because we know that satisfied customers mean continued success.

We hope you get a satisfactory service from Baxi. If not, please let us know.

© Baxi Heating UK Limited 2005 All rights reserved. No part of this publication may be reproduced or transmitted in any form or by any means, or stored in any retrieval system of any nature (including in any database), in each case whether electronic, mechanical, recording or otherwise, without the prior written permission of the copyright owner, except for permitted fair dealing under Copyrights, Designs and Patents Act 1988.

Applications for the copyright owner's permission to reproduce or make other use of any part of this publication should be made, giving details of the proposed use, to the following address:

The Company Secretary, Baxi Heating UK Limited, Pentagon House,  
Sir Frank Whittle Road, Derby, DE21 4XA.







Full acknowledgement of author and source must be given.

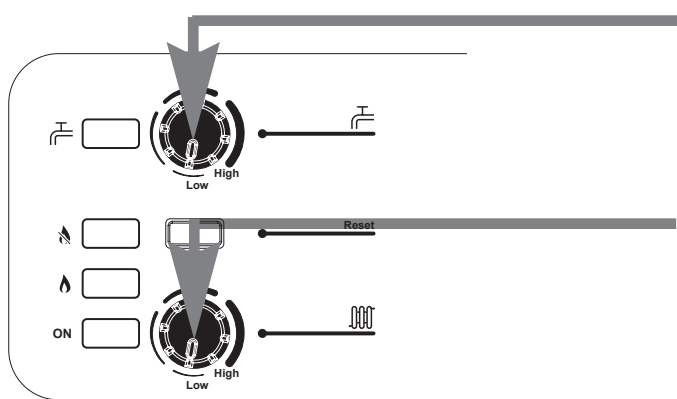
**WARNING:** Any person who does any unauthorised act in relation to a copyright work may be liable to criminal prosecution and civil claims for damages.



Baxi Heating UK Limited is a  
BS-EN ISO 9001 Accredited Company

This product has an energy rating (A) on a scale of A to G.  
For more information see [www.boilers.org.uk](http://www.boilers.org.uk). This is a certification mark.

	<b>Domestic Hot Water</b> (Green Light)	This indicates that the Burner has fired up and heating your water.
	<b>Flame Failure</b> (Red Light)	If Flame Failure Light is ON press the Reset Button. If Flame Failure occurs frequently consult your Installer.
	<b>Burner On</b> (Green Light)	This indicates that the Burner has fired up and is heating your system.
<b>ON</b>	<b>Mains On</b> (Green Light)	This indicates that there is electricity to the Boiler.
	<b>Domestic Hot Water Control Knob</b> (No OFF Position)	Turn the Domestic Hot Water Control Knob clockwise to increase or anticlockwise to decrease the temperature.
	<b>Reset Button</b>	The Reset Button should extinguish the Flame Failure Light and allow normal operation to commence.
	<b>Central Heating Control Knob</b> (No OFF Position)	Turn the Central Heating Control Knob clockwise to increase or anticlockwise to decrease the boiler flow temperature.

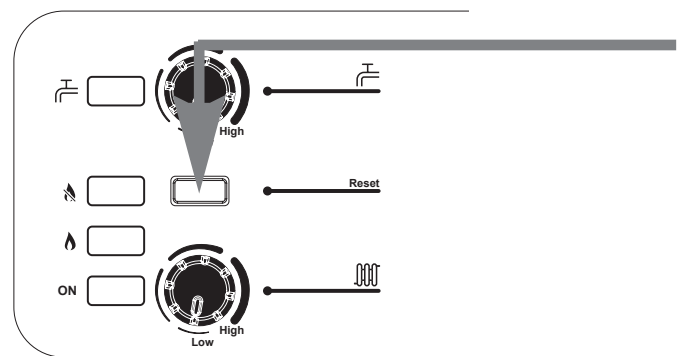


**Domestic Hot Water Temperature Control**

Turn the Domestic Hot Water Temperature Control Knob clockwise to increase or anticlockwise to decrease the temperature. Range 45 - 55° C.

**Central Heating Temperature Control**

Turn the Central Heating Temperature Control Knob clockwise to increase or anticlockwise to decrease the boiler flow temperature.

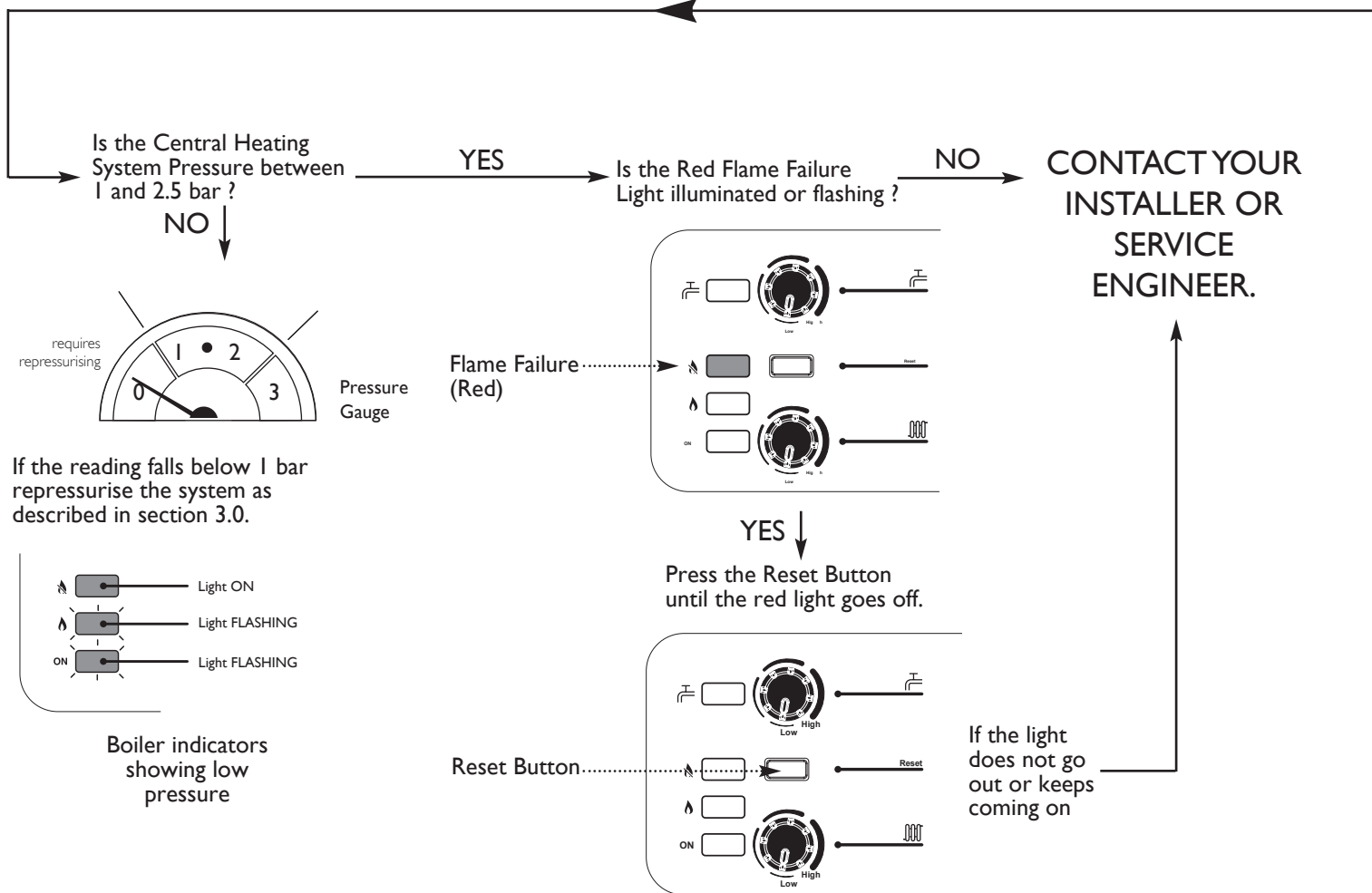
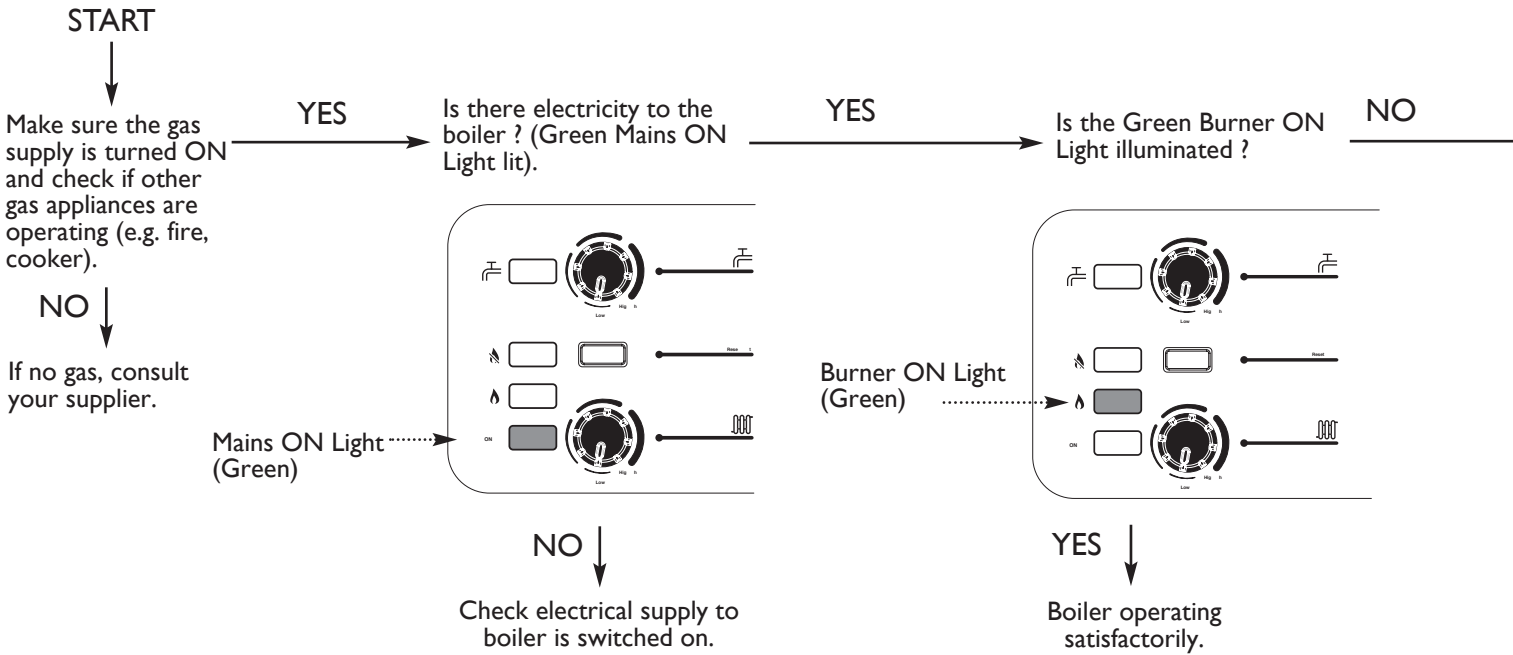


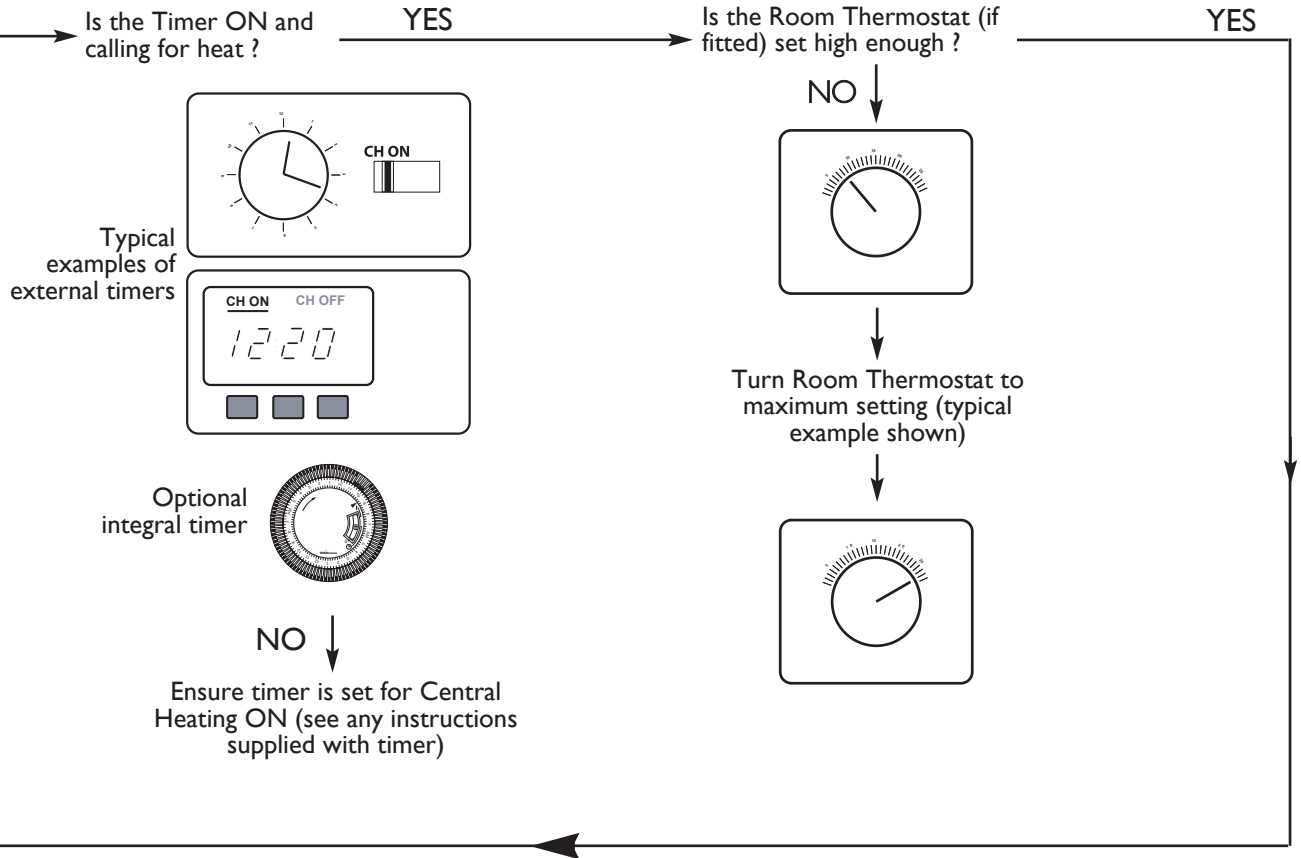
**Reset Button**

If the Red Flame Failure Light () is ON or flashing, press the **Reset** button until the red light goes OFF. If this occurs frequently a fault is indicated, you should contact your installer.

# Boiler not working

## 2.0 Troubleshooting





If you don't know what you need to do to get the boiler to light, or need help with the system and controls, contact your installer as soon as possible

## 3.0 Repressurising System

### 3.1 Central Heating System Pressure

1. The normal operating water pressure is in the green area between 1 and 2.5 bar (Fig. 1). If the pressure exceeds 3 bar the safety pressure valve will operate and a fault is indicated. Contact your installer.

2. It may be necessary to repressurise the system occasionally (Fig. 2). A filling device (the 'filling loop') will be fitted on the system. This may be on the boiler itself, or on pipework near to the boiler.

3. If you are unsure of its position, or cannot identify it, consult the installer who fitted the boiler.

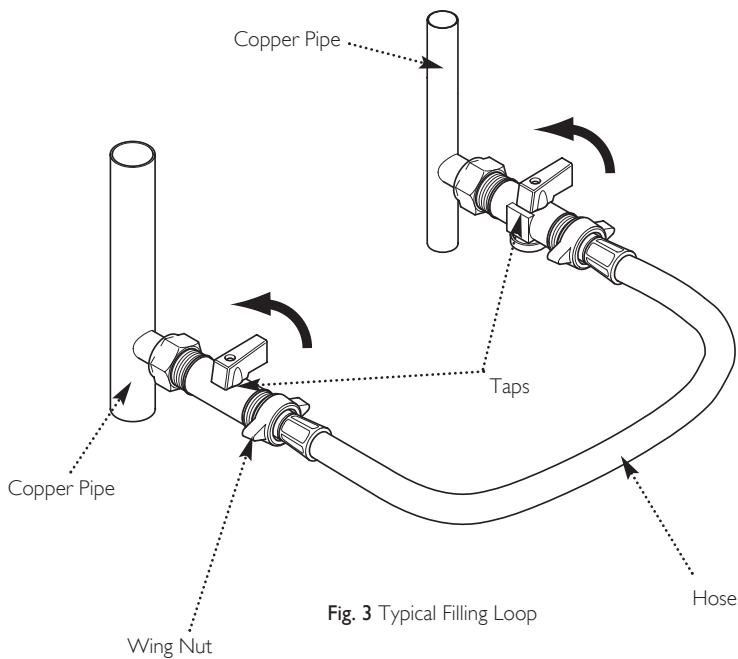
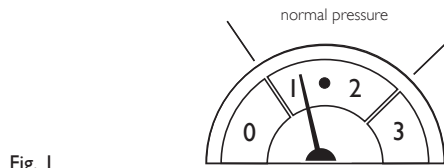
4. The filling loop consists of two taps and a separate metal braided hose pipe (Fig. 3).

5. Only when repressurising should the hose be connected between the two taps. No tools are necessary for this, but ensure that the wing nuts on the hose pipe ends are tightened onto the taps.

6. Fully open one of the taps first, and then while watching the pressure gauge, carefully open the second tap.

7. When the needle on the gauge is into the green zone and indicating 1 (Fig. 1) or more turn both taps off.

8. Disconnect the hose from the taps (a small amount of water may be present) and remove it. Keep the hose in a safe place for future use.



## 4.0 Clearances

### 4.1 For your Safety

1. This appliance must have been installed in accordance with the manufacturer's instructions and the regulations in force.

2. Any modification that may interfere with the normal operation of the appliance without express written permission from the manufacturer or his agent could invalidate the appliance warranty. In GB this could also infringe the Gas Safety (Installation and Use) Regulations.

**GB** - Heating Industry definition meaning England, Scotland, Wales, Northern Ireland, Isle of Man and the Channel Isles

3. Your boiler must not be operated without the casing correctly fitted.

4. Do not interfere with any sealed components on this boiler.

5. Take note of any warning labels on your boiler.

6. Your boiler should have the following minimum clearances for Safety and Maintenance (Figs. 4 & 5):-

Top	- 200mm
Bottom	- 200mm
Left side	- 5mm
Right Side	- 5mm
Front	- 5mm (In Operation) - 500mm (For Servicing)

7. If your boiler is installed in a compartment, do not use it for storage purposes. Do not obstruct any purpose provided ventilation openings.

8. Flammable materials must not be stored in close proximity to your boiler.

9. Avoid skin contact when your boiler is in operation, as some surfaces may get hot e.g. pipework.

10. Ensure that the flue terminal outside the house does not become damaged or obstructed, particularly by trees or bushes.

11. It is important that the condensate drain system is not blocked, modified or damaged in any way as this would affect the operation of your boiler. Your installer should have insulated any exposed pipework.

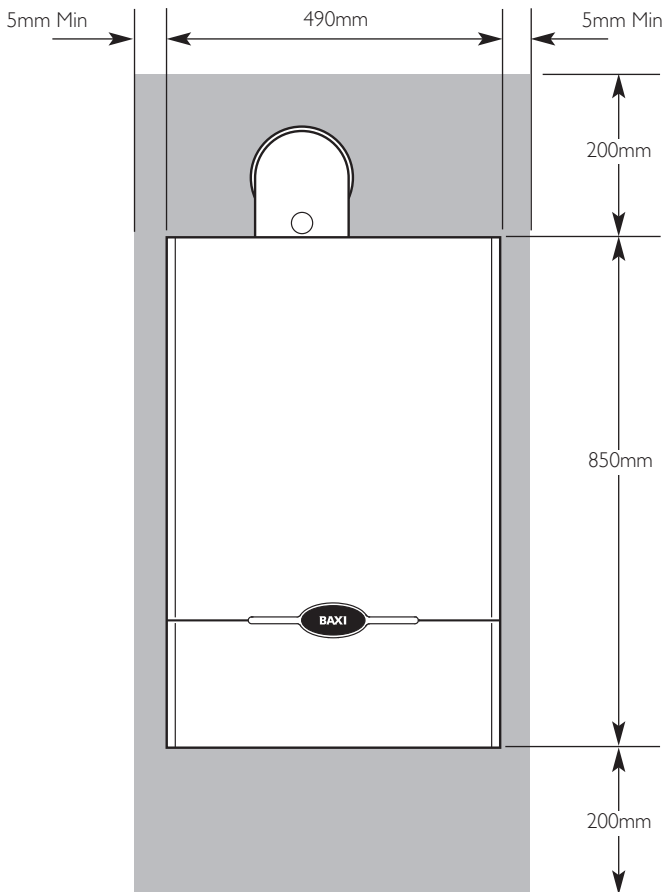


Fig. 4

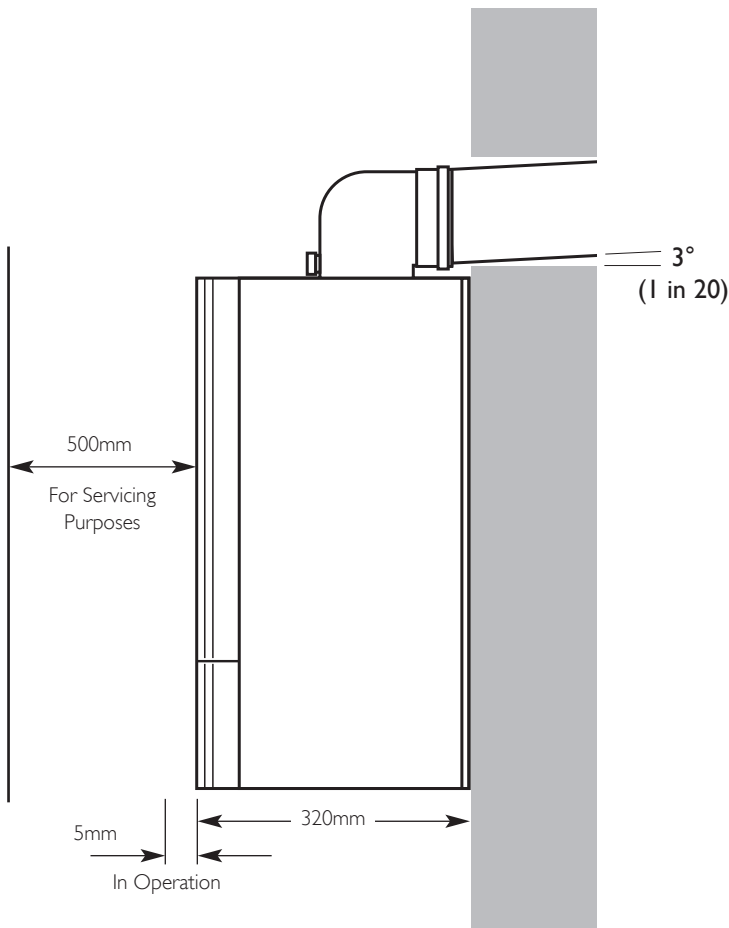


Fig. 5

## 5.0 Care of the Boiler

---

### 5.1 Cleaning the Outercase

1. The painted panels should be wiped with a damp cloth and then dried completely. **DO NOT USE ABRASIVE CLEANING AGENTS.**

---

### 5.2 Protection & Precautions

1. The boiler incorporates an integral frost protection feature that will operate in both modes. If the boiler temperature falls below 4 °C, the boiler will fire until a temperature of 15 °C is reached.
  2. If a system frost thermostat has been fitted (your Installer will be able to advise you), then to operate correctly and protect your system, the gas and electricity must be left on and the appliance set in the central heating mode.
  3. The boiler incorporates an integral pump protection feature which continually monitors the time since the pump last operated. To prevent seizure, the pump will operate for approximately 1 minute if it has not run in the last 24 hours.
-



## 6.0 Legislation

### 6.1 Installation, Commissioning, Service & Repair

1. This appliance must be installed in accordance with the manufacturer's instructions and the regulations in force. Read the instructions fully before installing or using the appliance.

2. In GB, this must be carried out by a competent person as stated in the Gas Safety (Installation & Use) Regulations.

3. **Definition of competence:** A person who works for a CORGI registered company and holding current certificates in the relevant ACS modules, is deemed competent.

4. In IE (Eire), this must be carried out by a competent person as stated in I.S. 813 "Domestic Gas Installations".

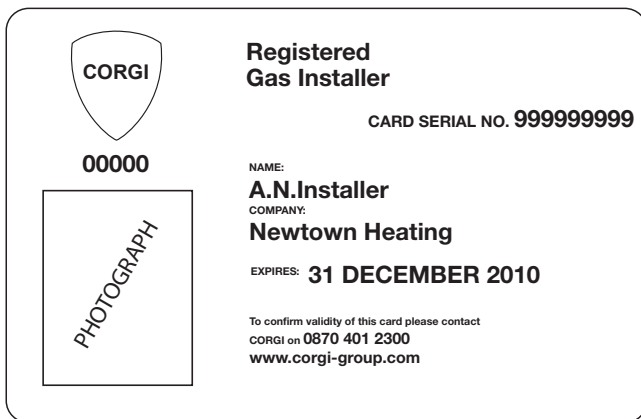


Fig. 6 CORGI Registration Card

All CORGI registered installers carry a CORGI identification card (see Fig. 6) and have a registration number. You can check your installer is registered by telephoning 0870 4012300 or writing to:-

I Elmwood,  
Chineham Business Park,  
Crockford Lane,  
Basingstoke. RG24 8WG

or check online at [www.corgi-gas-safety.com](http://www.corgi-gas-safety.com)

The boiler meets the requirements of Statutory Instrument "The Boiler (Efficiency) Regulations 1993 N° 3083" and is deemed to meet the requirements of Directive 92/42/EEC on the energy efficiency requirements for new hot water boilers fired with liquid or gaseous fuels:-

Type test for purpose of Regulation 5 certified by:  
Notified Body 0086.

Product/Production certified by:  
Notified Body 0086.  
Ref: 86-BL-647

For GB/IE only.

### 6.2 Benchmark Commissioning Check List

1. Please ensure that your installer hands you the boiler Installation & Service Instructions with the "Benchmark" Commissioning Checklist sections completed. The details in the Checklist will be required in the event of any warranty work. Keep the instructions in a safe place and ensure that the Service Interval Record at the back is completed at each service visit.

## Warning !

### If you smell gas

Turn off the gas supply at the meter and call your gas supplier immediately. It is possible to isolate the boiler and at the isolating valve (Fig. 7).

Transco operate a 24 hour emergency service and the telephone number will be listed in your telephone directory.

### Faulty boiler

If it is known or suspected that a fault exists on the boiler, it must not be used until the fault has been corrected by a competent person.

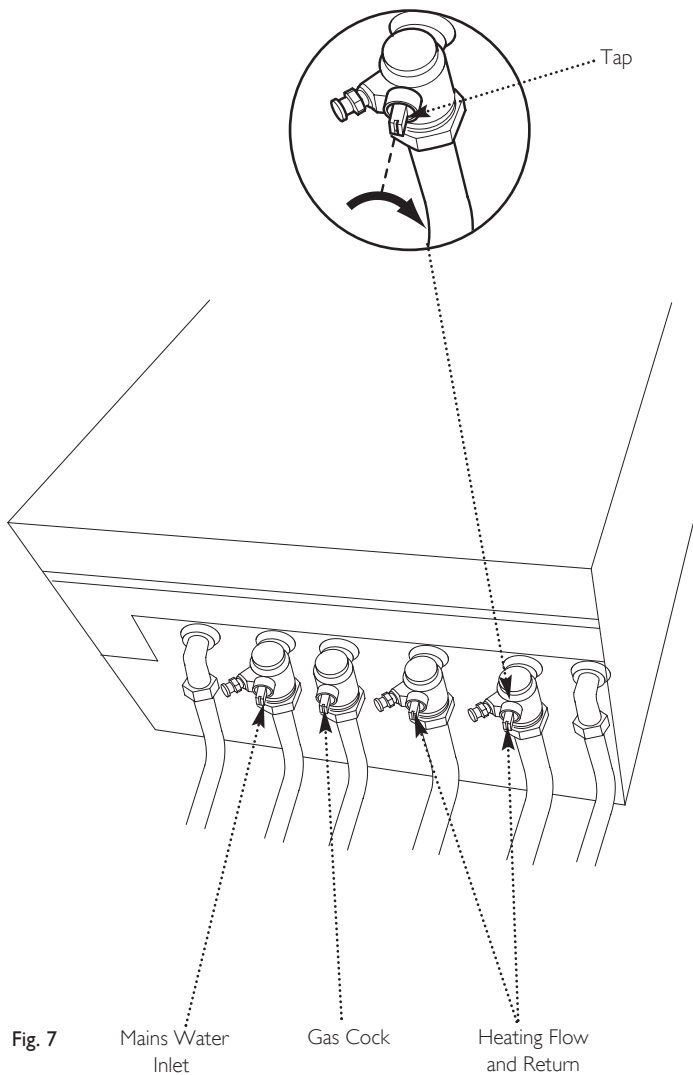


Fig. 7

Mains Water Inlet

Gas Cock

Heating Flow and Return

### In an Emergency

If a water or gas leak occurs or is suspected, the boiler can be isolated at the taps under the boiler as follows;

1. Turn off the electrical supply to the boiler.
2. Using a suitable flat bladed screwdriver turn the tap on the gas cock 90° clockwise to isolate the gas supply at the boiler (Fig. 7).
3. The heating system and mains water isolating valves are positioned under the boiler and can be closed by turning their taps 90° clockwise (Fig. 7).
4. Call your Installer or Service Engineer as soon as possible.



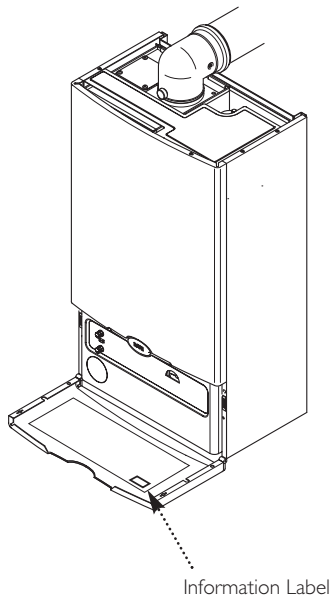
Please complete the boxes below

Serial Number

Date of Installation

D	D	M	M	Y	Y

Installer Details (name, address and contact number(s))



All descriptions and illustrations provided in this leaflet have been carefully prepared but we reserve the right to make changes and improvements in our products which may affect the accuracy of the information contained in this leaflet. All goods are sold subject to our standard Conditions of Sale which are available on request.

**Baxi Heating UK Limited**  
Brownedge Road Bamber Bridge Preston Lancashire PR5 6UP  
After Sales Service 08706 096 096 Technical Enquiries 08706 049 049  
Website [www.baxi.co.uk](http://www.baxi.co.uk)

A BAXI GROUP company

## 8.0 Warranty & Service

### Standard Warranty Terms & Conditions

#### 12 Months Free Warranty - register today

To receive your 12 months free warranty please complete the form supplied with the boiler or simply call **heateam**, the service division of Baxi Heating UK Limited on **08706 000 653**.

#### Our promise to you

If you experience a fault with your new boiler, we aim to provide a safe and high quality repair service supported by our dedicated national network of highly skilled engineers. If your installer can't resolve the problem for you, we will do everything we can to get an engineer out to you as quickly as possible. Nothing in this warranty will affect your statutory consumer rights.

#### What you need to do if you experience a problem with your heating system or the operation of the boiler

You should always contact your installer first, because the fault may not be related to the boiler. If your installer confirms that the fault is within the boiler itself and he/she can't repair it, our friendly customer service team is on hand to help. Simply call our service division **heateam** on **08706 096 096** to book an engineer visit or for any general advice that you may need. Our contact centre is open Monday to Friday 8am - 6pm, weekends and Bank Holidays 8.30am - 2pm, excluding Christmas Day and New Years Day.

When calling **heateam** it would be helpful if you could have the following information to hand:-

- 1 boiler serial number (see opposite).
- 2 boiler make and model number.
- 3 Your installer name and address details.
- 4 Proof of purchase (if you do not have the boiler serial number).

#### What this warranty covers

Free of charge repair or replacement of components found to be faulty from manufacture.

Free of charge replacement of the complete unit provided always that the failure is related to a manufacturing fault that cannot be repaired or is uneconomic to repair.

The warranty runs for 12 months from the date your product is installed.

#### What this warranty does not cover

Repairs to boilers which haven't been installed and commissioned properly, and as set out in the installation instructions (this includes the need to flush the system effectively and add a suitable corrosion inhibitor).

Any damage caused by hard water scale deposits and/or aggressive water resulting from corrosion.

Any other defects or failures, either in the connected heating system or outside of the boiler itself

Faults caused by an inadequate supply of electricity, gas or water to the property.

Installations within commercial settings for which this boiler was not designed.

Reimbursement of any third party repair or replacement costs that we haven't been told about or agreed with you in advance.

Compensation for consequential losses (e.g. loss of earnings, business losses, stress and inconvenience) arising from a product breakdown, including repair delays caused by factors outside our reasonable control.

#### Annual Service

To ensure you receive the maximum efficiency from your boiler we recommend your boiler has an annual service so you and your family can continue to enjoy heating and hot water comfort. To arrange an annual service from one of our Baxi Heating UK Limited heating experts, please call to arrange a visit convenient to you.