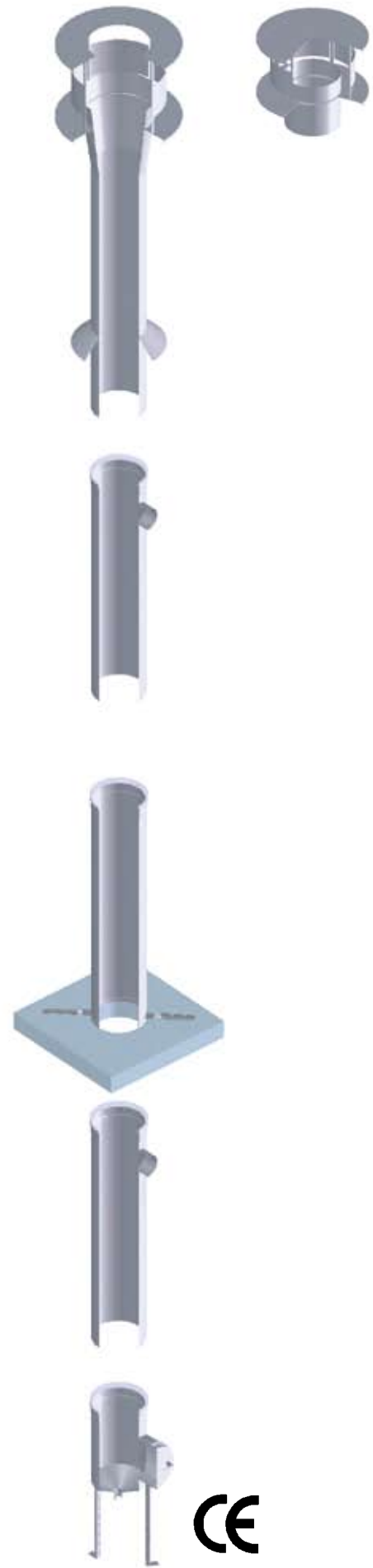


**A complete communal flue system, providing exhaust gas and condensate removal only from multiple heating and hot water gas fired appliance installations. Fan assisted positive pressure operation allows the system to become more space saving where local room sealed air supply is preferred.**

CFSeo-FA is Cox Geelens single pipe complete flue exhaust system for use with room sealed gas fired condensing (HE) and non condensing (SE) boilers and fits perfectly with the latest generation gas fired heating appliances. This system is also CE Marked in accordance with European Standards EN 1856-1 .

**Special features:**

- The aluminium pipe has a 1.5mm wall thickness, has a longitudinal TIG-welded seam with its female end fitted with the latest Fix-Safe seal (FS) for a gas-tight and condensate-tight push fit joint.
- The elasticity of the Fix-Safe seal combined with its unique design ensures optimum sealing performance.
- The system can sustain an average of 20-35 kW for condensing (HE) boilers and 24-42 kW for non-condensing (SE) boilers.
- CFSEO-FA system is supplied as a complete kit of parts to build the complete assembly installation comprising:
  - Trega-terminal with storm collar
  - tile with lead flashing or flat flashing
  - single pipe T-pieces with appropriate number of connections per storey,
  - single pipe parallel sections,
  - condensate collector base unit,
  - floor brackets and floor supports.
- As an aid to section assembly we recommend applying soapy film to the joint seal surfaces prior to push fit connection (obtainable from Cox Geelen).



**T-PIECE 1 CONNECTION**  
Ø 80 Ø 130 L=1550

**FLUE PIPE**

H FLOOR	L
2700 MM	1300 MM
2750 MM	1350 MM
2800 MM	1400 MM
2850 MM	1450 MM
2900 MM	1500 MM
2950 MM	1550 MM

**CONDENSING COLLECTOR**

For other CFSeo-FA parts, please refer to the CFS-NV section in this brochure.

**PIPE DIAMETER IN RELATION WITH THE NUMBER OF APPLIANCES**

D1	20 KW HE 24 KW SE	25 KW HE 30 KW SE	30 KW HE 36 KW SE	35 KW HE 42 KW SE
130	2	2		
150	3/4/5	3	2	
180	6/7	4/5	3/4	2/3
200	8/9/10	6/7	5/6	4/5
225	11/12/13	8/9/10	7/8	6/7
250	14/15/16	11/12/13	9/10/11	8/9
280	17/18/19/20	14/15/16	12/13/14	10/11/12
300		17/18/19/20	15/16/17	13/14/15
350			18/19/20	16/17/18
400				19/20

For > 20 appliances, the applicable pipe diameters are available on request.



BK-CG-002 • 09-2007-1.000



**NEW**  
for buildings  
2-24 floors

- CFSeo-FA • Communal Flue System exhaust only - Fan-Assisted
- CFS-FA • Communal Flue System - Fan-Assisted positive pressure
- CFS-NV • Communal Flue System - Naturally Vented negative pressure

**Cox Geelen**

Emmastraat 92 • 6245 HZ Eijsden • PO-Box 6 • 6245 ZG Eijsden • The Netherlands  
T +31 (0)43 40 99 500 • F +31 (0)43 40 91 987 • sales@coxgeelen.com • www.coxgeelen.com  
KvK Zuid-Limburg 14608324

Member of BERGCOX chimneys and ventilation group



**A complete communal flue system, providing air supply to and exhaust gas and condensate removal from, multiple heating and hot water gas fired appliance installations via concentric pipes, all operating under a fully naturally vented negative pressure.**

CFS-NV is Cox Geelens complete flue system which combines a communal air supply and a communal flue outlet for use with gas fired condensing (HE) and non condensing (SE) boilers. The system operates with negative pressure and fits perfectly with the latest generation gas fired heating appliances. The system conforms to the rigorous "Gaskeur" Test no 138 and is certified by Gastec Qa, cert. no- 96/006 01, report no 175466. It is also CE Marked in accordance with European Standards EN 1856-1 and Avis Techniques No. 11/98-270.

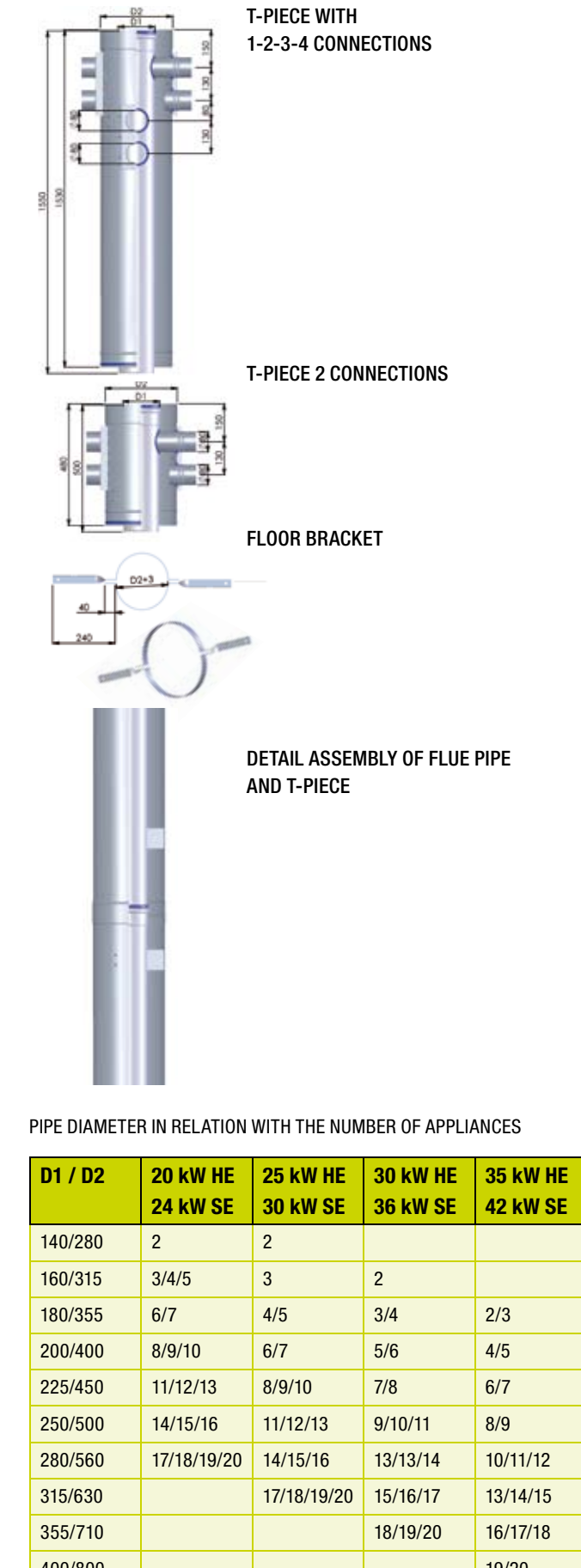
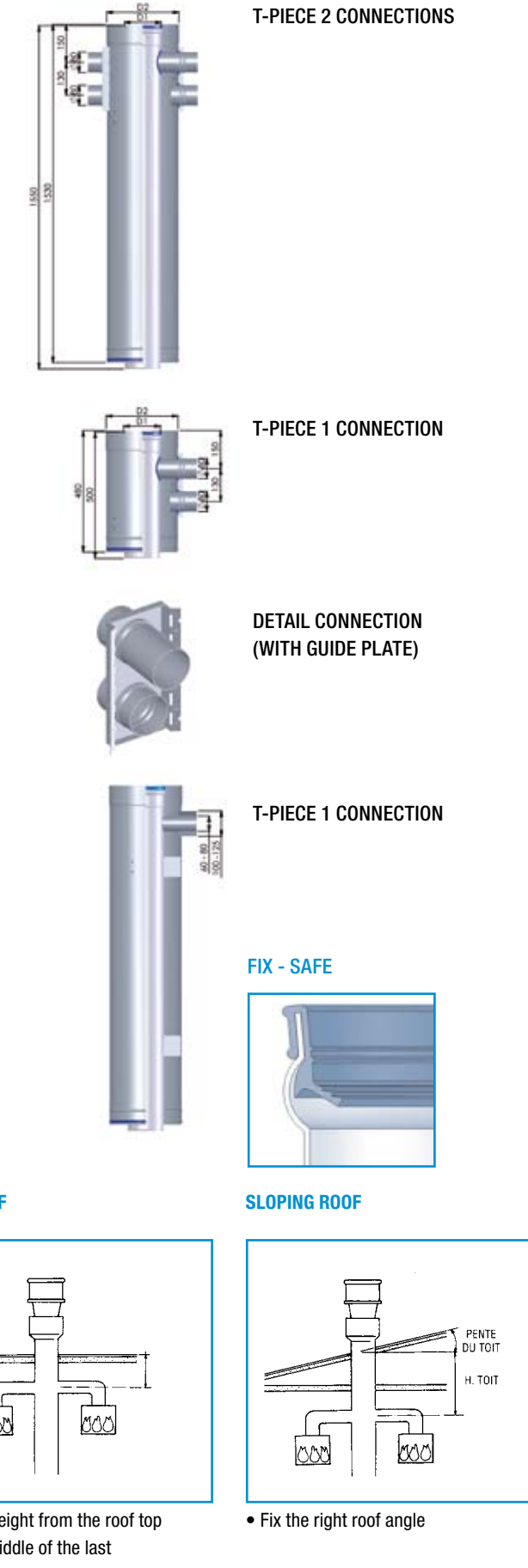
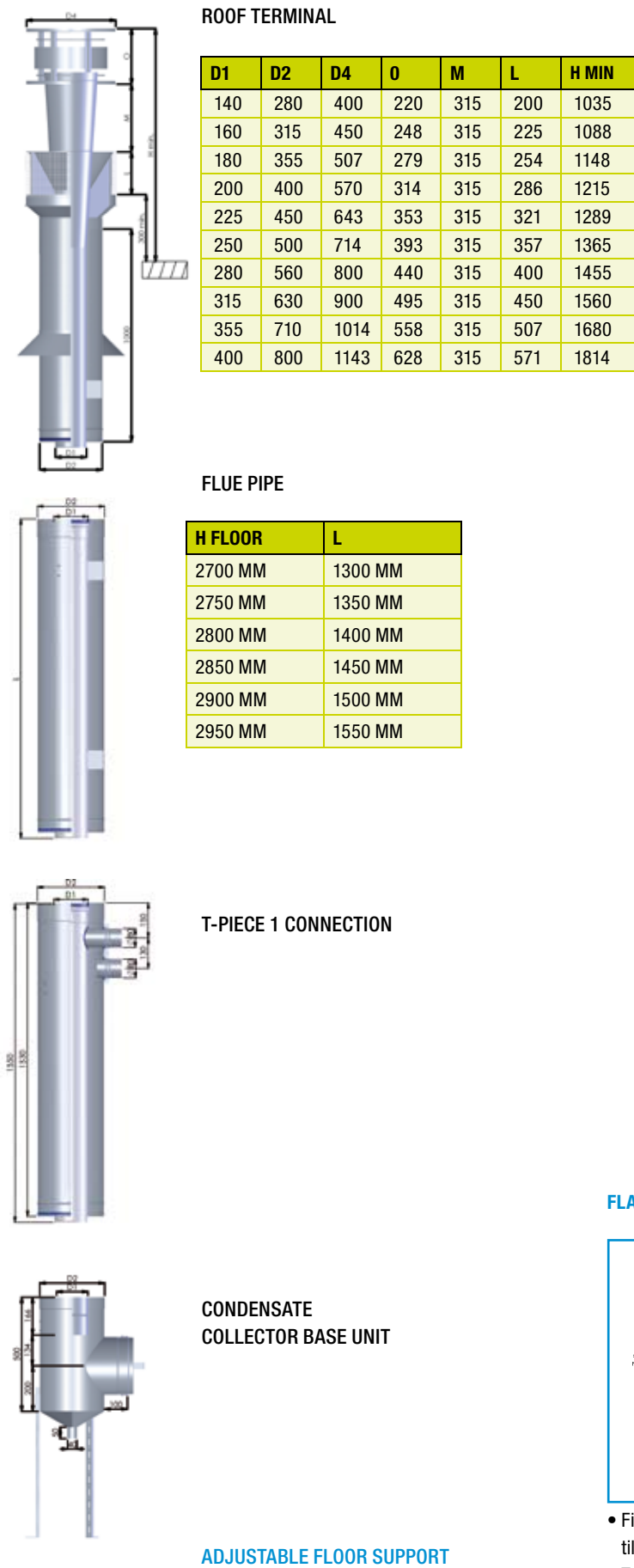
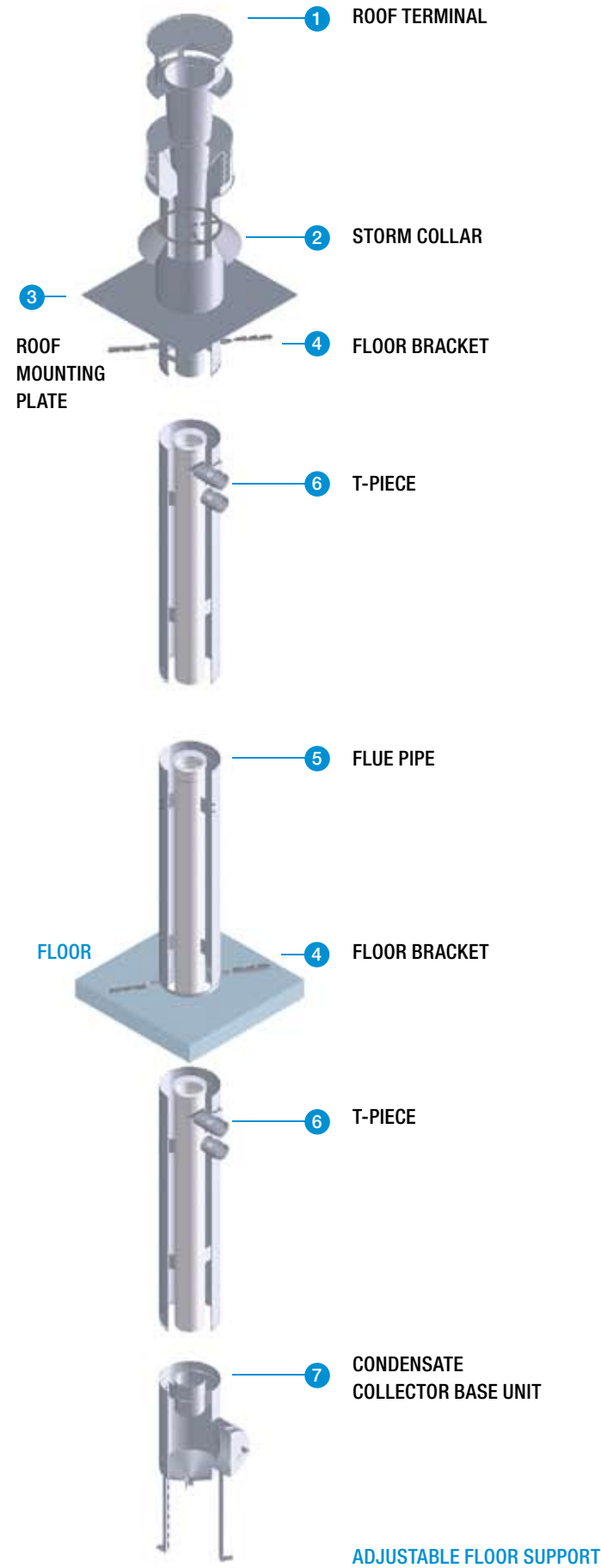
**Special features:**

- The outer aluminium pipe has a fully welded longitudinal seam and is roll grooved for maximum rigidity. The CoxSafe seal applied to the male o/d circumference ensures an airtight male/female joint at installation assembly.
- The aluminium inner pipe has a 1.5mm wall thickness, has a longitudinal TIG-welded seam with its female end fitted with the latest Fix-Safe seal(FS) for a gas-tight and condensate-tight push fit joint.

**FIX - SAFE**



- The elasticity of the Fix-Safe seal combined with its unique design ensures optimum sealing performance.
- The system can sustain an average of 20-35 kW for condensing (HE) boilers and 24-42 kW for non-condensing (SE) boilers.
- Each CFS-NV system is supplied as a complete kit of parts to build the complete assembly installation comprising:
  - roof terminal,
  - roof mounting plate or flat flashing with storm collar,
  - concentric T-pieces with appropriate number of connections per storey,
  - concentric parallel sections,
  - condensate collector base unit,
  - floor brackets and
  - floor supports.
- As an aid to section assembly we recommend applying soapy film to the joint seal surfaces prior to push fit connection (obtainable from Cox Geelen).



**A complete communal flue system, providing air supply to and exhaust gas and condensate removal from, multiple heating and hot water gas fired appliance installations via concentric pipes. Fan assisted, positive pressure operation allows the system to become more space saving for an extra compact installation.**

CFS-FA is Cox Geelens complete flue system which combines a communal air supply and a communal flue outlet for use with gas fired condensing (HE) and non condensing (SE) boilers that are fitted with non-return valves. The system operates with positive pressure and the non-return valve arrangement on each boiler connection is essential to prevent recirculation of exhaust gases to non operational appliances. This system is also CE Marked in accordance with European Standards EN 1856-1 .

**Special features:**

- The outer aluminium pipe has a fully welded longitudinal seam and is roll grooved for maximum rigidity. The CoxSafe seal applied to the male o/d circumference ensures an airtight male/female joint at installation assembly.
- The aluminium inner pipe has a 1.5 mm wall thickness, has a longitudinal TIG-welded seam with its female end fitted with the latest Fix-Safe seal (FS) for a gas-tight and condensate-tight push fit joint.
- The elasticity of the Fix-Safe seal combined with its unique design ensures optimum sealing performance.
- Each CFS-FA system is supplied as a complete kit of parts to build the complete assembly installation comprising:
  - roof terminal with storm collar,
  - tile with lead flashing or flat flashing,
  - concentric T-piece with appropriate number of connections per storey,
  - concentric parallel sections,
  - condensate collector base unit,
  - floor brackets and floor supports.
- As an aid to section assembly we recommend applying soapy film to the joint seal surfaces prior to push fit connection (obtainable from Cox Geelen).

