

# SPARE PARTS EXPLODED VIEW GAS WALL BOILERS

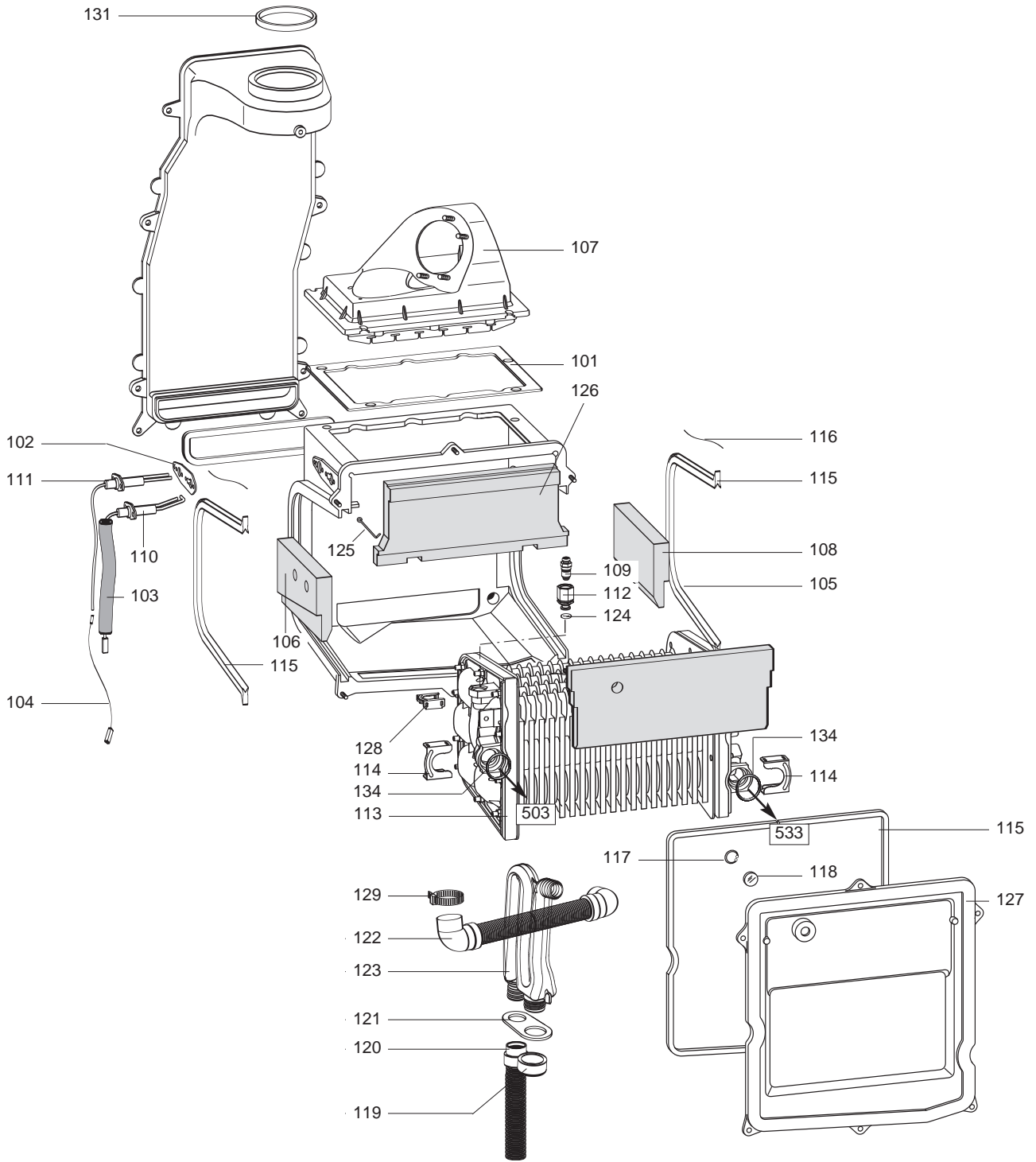
Model

**ACO**

R8215222-01EN - Edition 01 - 06/09/2005



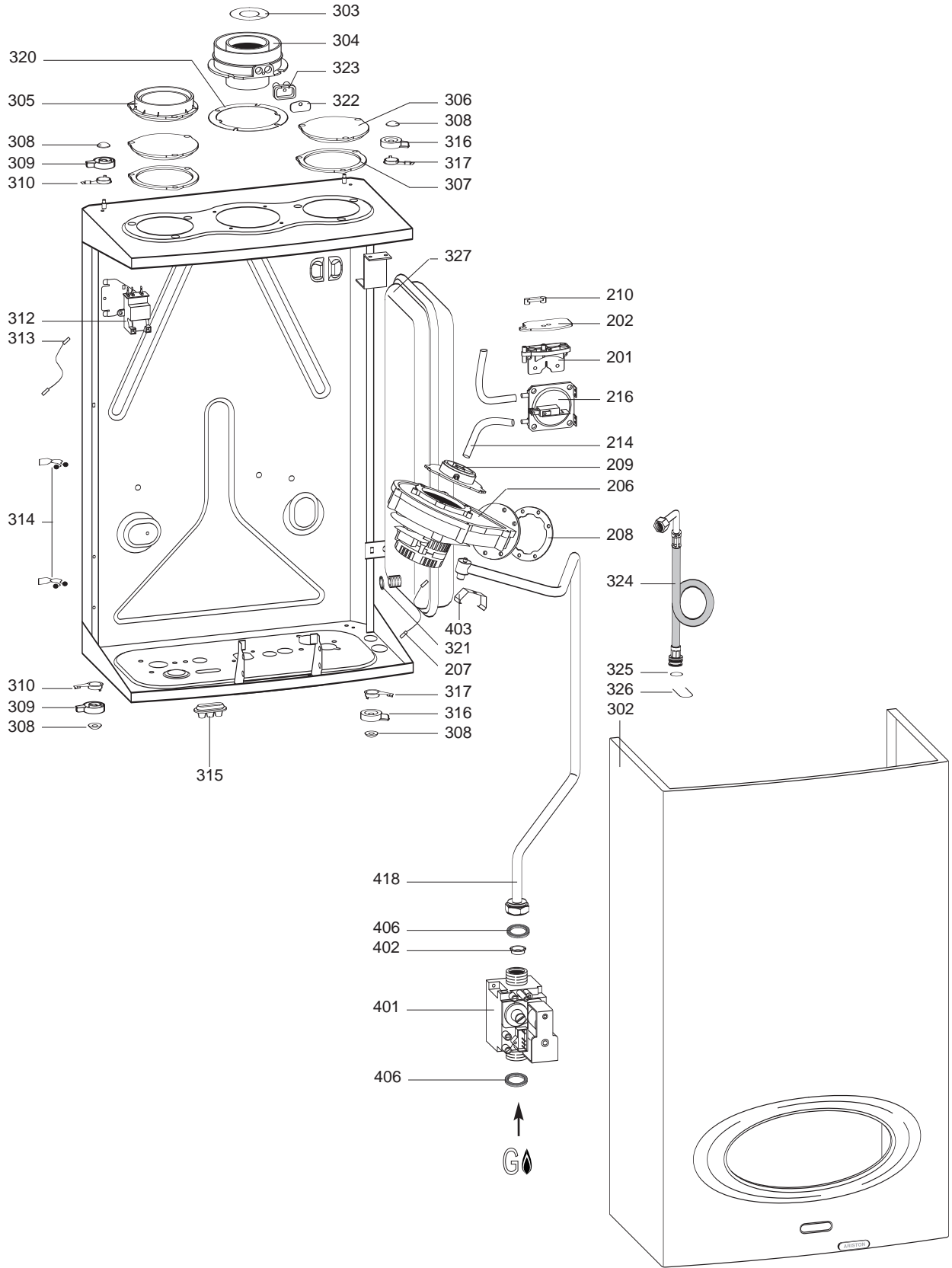
537060		ACO 27 MFFI MET	...	...
537061		ACO 27 MFFI GPL	...	...
537062		ACO 27 RFFI SYSTEM MET	...	...
537063		ACO 27 RFFI SYSTEM GPL	...	...
3300004		ACO 32 MFFI MET	...	...
3300005		ACO 32 MFFI GPL	...	...
3300006		ACO 32 RFFI SYSTEM MET	...	...
3300007		ACO 32 RFFI SYSTEM GPL	...	...
Reference	Ind.	Model type	Begin	End



Key N	Description	Manf. Pt. N	Other	Type					Manf. date			
					ACO MFFI	ACO RFFI	ACO MFFI	ACO RFFI	27	32	from	to
0100	SEALED CASE											
0101	BURNER SUPPORT GASKET	65102218										
	BURNER SUPPORT GASKET	65102219										
0102	ELECTRODE GASKET	65102215										
0103	PIPE (ELECTRODE CABLE)	65102246										
0104	CABLE (DETECTION)	990403										
0105	PANEL (INSULATION - FRONT)	65102200										
	PANEL (INSULATION - FRONT)	65102201										
0106	PANEL (INSULATION - L.H.)	65102206										
	PANEL (INSULATION - L.H.)	65102207										
0107	BURNER	65104001		LG								
	BURNER	65104002		LG								
	BURNER	65103220		NG								
	BURNER	65103221		NG								
0108	PANEL (INSULATION - RH)	65102202										
	PANEL (INSULATION - RH)	65102203										
0109	AIR VALVE FITTING	998564										
0110	ELECTRODE (IGNITION)	65102198										
0111	ELECTRODE (DETECTION)	65102199										
0112	UNION	65103203								07/05		
	UNION	65102267									06/05	
0113	EXCHANGER	65102233									06/05	
	EXCHANGER	65102260									06/05	
	EXCHANGER	65103211								07/05		
	EXCHANGER	65103219								07/05		
0114	CLIP	65103210								07/05		
	PIPE FIXING BRACKET	65102239									06/05	
0115	GASKETS (COMBUSTION CHAMBER)	65102438										
0116	GASKET	65102266										
0117	RETAINING RING (D=16MM)	999227										
0118	SIGHT GLASS (BURNER)	998782										
0119	TRAP PLUG	65103205								07/05		
	TRAP PLUG	65102240									06/05	
0120	DISCHARGE PIPE (CONDENSATE)	990665										
0121	GASKET (TRAP BASE)	65103212								07/05		
	GASKET (TRAP BASE)	65102216									06/05	
0122	DISCHARGE PIPE (CONDENSATE)	65103208								07/05		
	DISCHARGE PIPE (CONDENSATE)	65102245									06/05	
0123	TRAP	65103204								07/05		
	TRAP	65102237									06/05	
0124	O-RING	65103213								07/05		
	O-RING	990378									06/05	
0125	FIXING SPRING (INSULATION PANEL)	65102226										
0126	PANEL (INSULATION - REAR)	65102204										
	PANEL (INSULATION - REAR)	65102205										
0127	PANEL (COMB.CHAMBER - FRONT)	65102231										
	PANEL (COMB.CHAMBER - FRONT)	65102259										
0128	CLIP	65103209										
0129	CLAMP	990662										
0131	GASKET (FAN)	573343										
0134	O-RING	998424										

ACO

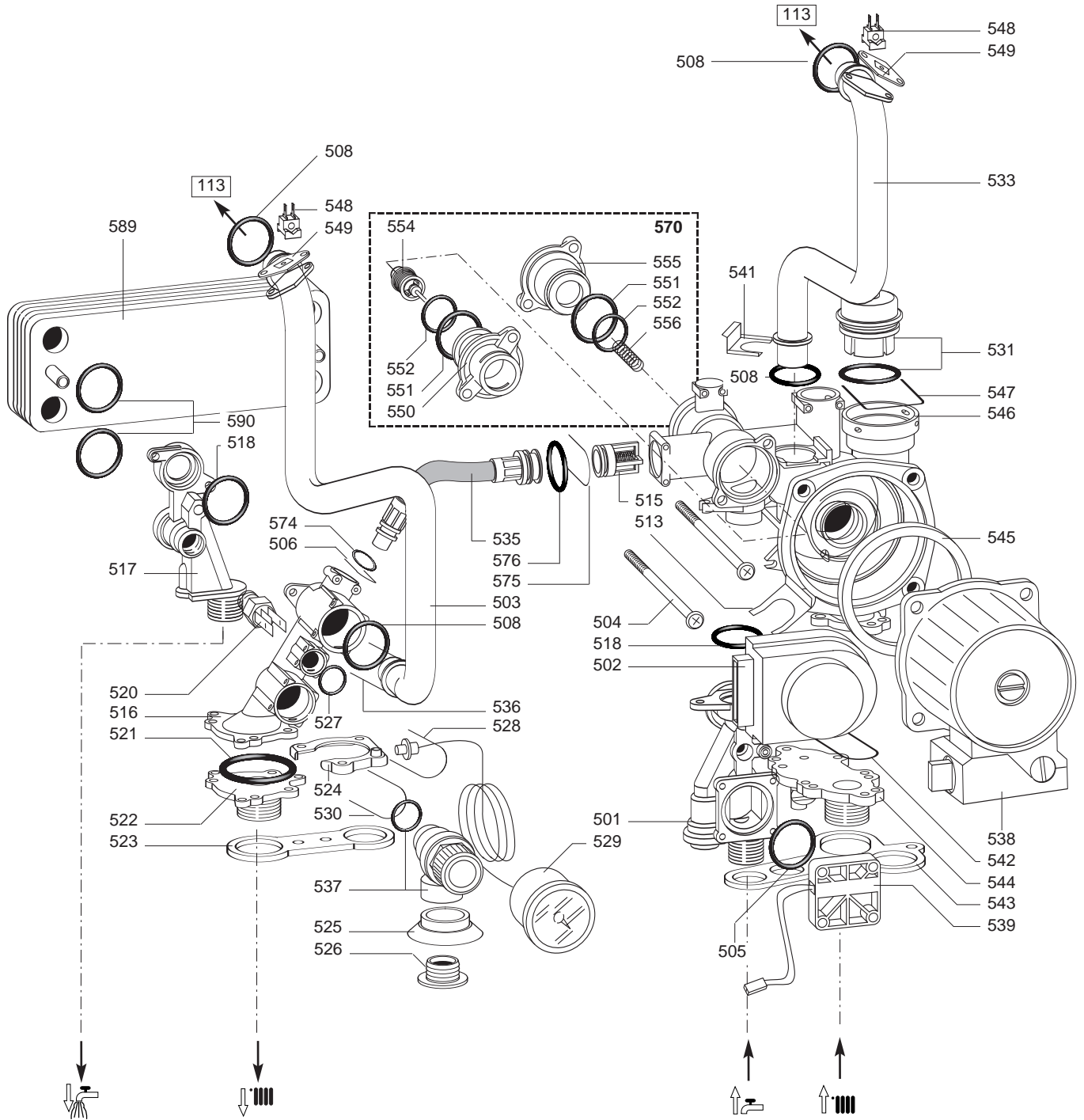
Domestic Gas Boilers



Key N	Description	Manf. Pt. N	Other	Type					Manf. date			
					ACO MFFI	ACO RFFI	ACO MFFI	ACO RFFI	27	32	from	to
<b>0200</b>	<b>FAN ASSEMBLY</b>											
0201	SUPPORT (AIR PRESSURE SWITCH)	990373			•	•	•	•				
0202	GASKET (AIR PRESSURE SWITCH)	65101317			•	•	•	•				
0206	FAN	65102248			•	•	•	•				
0207	EARTH CABLE (FAN)	65102190			•	•	•	•				
0208	GASKET (FAN)	65102395			•	•	•	•		09/04		
	GASKET (FAN)	65102214			•	•	•	•			08/04	
0209	MIXER + PRESSURE INTAKE	65102223			•	•	•	•				
	MIXER + PRESSURE INTAKE	65102224					•	•				
0210	PRESSURE INTAKE COVER	573329			•	•	•	•				
0214	CONDENSE TRAY	65102166			•	•	•	•				
0216	AIR PRESSURE SWITCH	65102232			•	•	•	•				
<b>0300</b>	<b>CHASSIS-FRONT CASE</b>											
0302	CASE (COMPLETE)	65102264			•	•	•	•				
0303	RESTRICTOR	65102197			•	•	•	•				
0304	FLUE (EXHAUST MANIFOLD / HEADER)	65102255			•	•	•	•				
0305	AIR RETURN MANIFOLD	990370			•	•	•	•				
0306	AIR RETURN COVER	991821			•	•	•	•				
0307	GASKET (AIR RETURN COVER)	65101291			•	•	•	•				
0308	D = 4 CAM FIXING ELEMENT	990351			•	•	•	•				
0309	CLOSING CASING CAM (L.H.)	990352			•	•	•	•				
0310	CASING HOOK (L.H.)	990353			•	•	•	•				
0312	SPARK GENERATOR	65102177			•	•	•	•				
0313	EARTH CABLE	65102189			•	•	•	•				
0315	CABLE INLET RUBBER WASHER	990355			•	•	•	•				
0316	CLOSING CASING CAM (R.H.)	990372			•	•	•	•				
0317	CASING HOOK (R.H.)	990371			•	•	•	•				
0320	GASKET (FLUE COLLAR)	998637			•	•	•	•				
0321	GASKET 3/8	573521			•	•	•	•				
0322	COVER (FLUE TEST POINT)	998565			•	•	•	•				
0323	GASKET (FLUE TEST POINT)	998636			•	•	•	•				
0324	PIPE (PUMP TO EXPANSION VESSEL)	65102241			•	•	•	•				
0325	O-RING	995976			•	•	•	•				
0326	RETAINING CLIP (AUTO AIR VENT)	65101382			•	•	•	•				
0327	7 L. STANDARDISED EXPANSION VESSEL	65101719			•	•	•	•				
<b>0400</b>	<b>GAS SECTION</b>											
0401	GAS VALVE	65102247			•	•	•	•				
0402	VALVE GAS DIAPHRAGM D=5.5	999954		LG	•	•	•	•				
0403	SPRING	65102225			•	•	•	•				
0406	GASKET 3/4	573520			•	•	•	•				
0418	GAS PIPE	65102242			•	•	•	•				

ACO

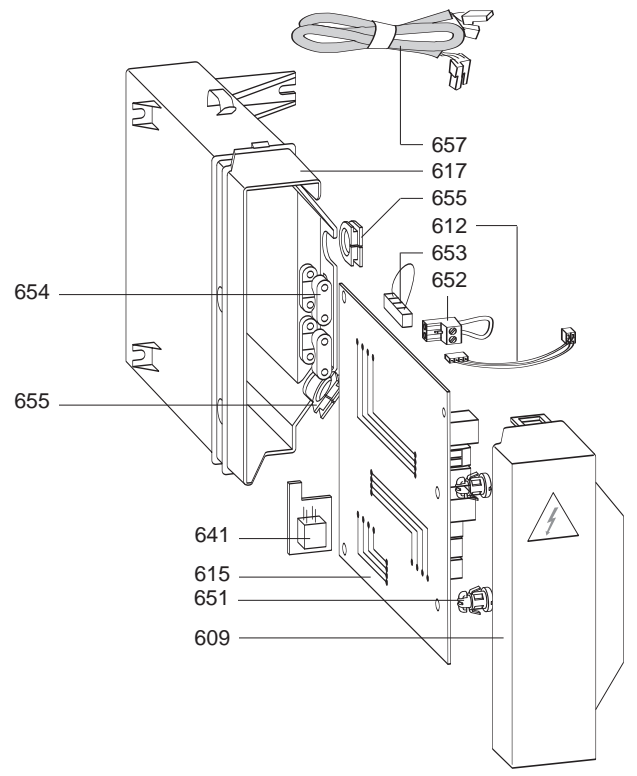
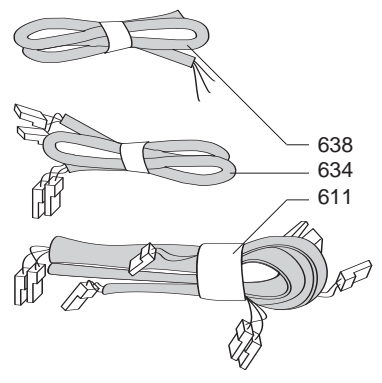
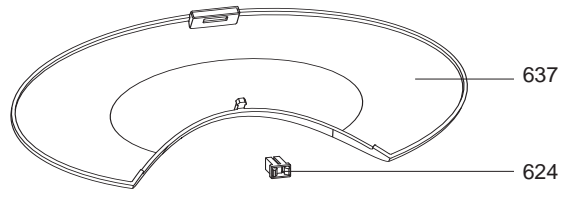
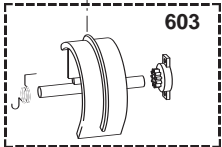
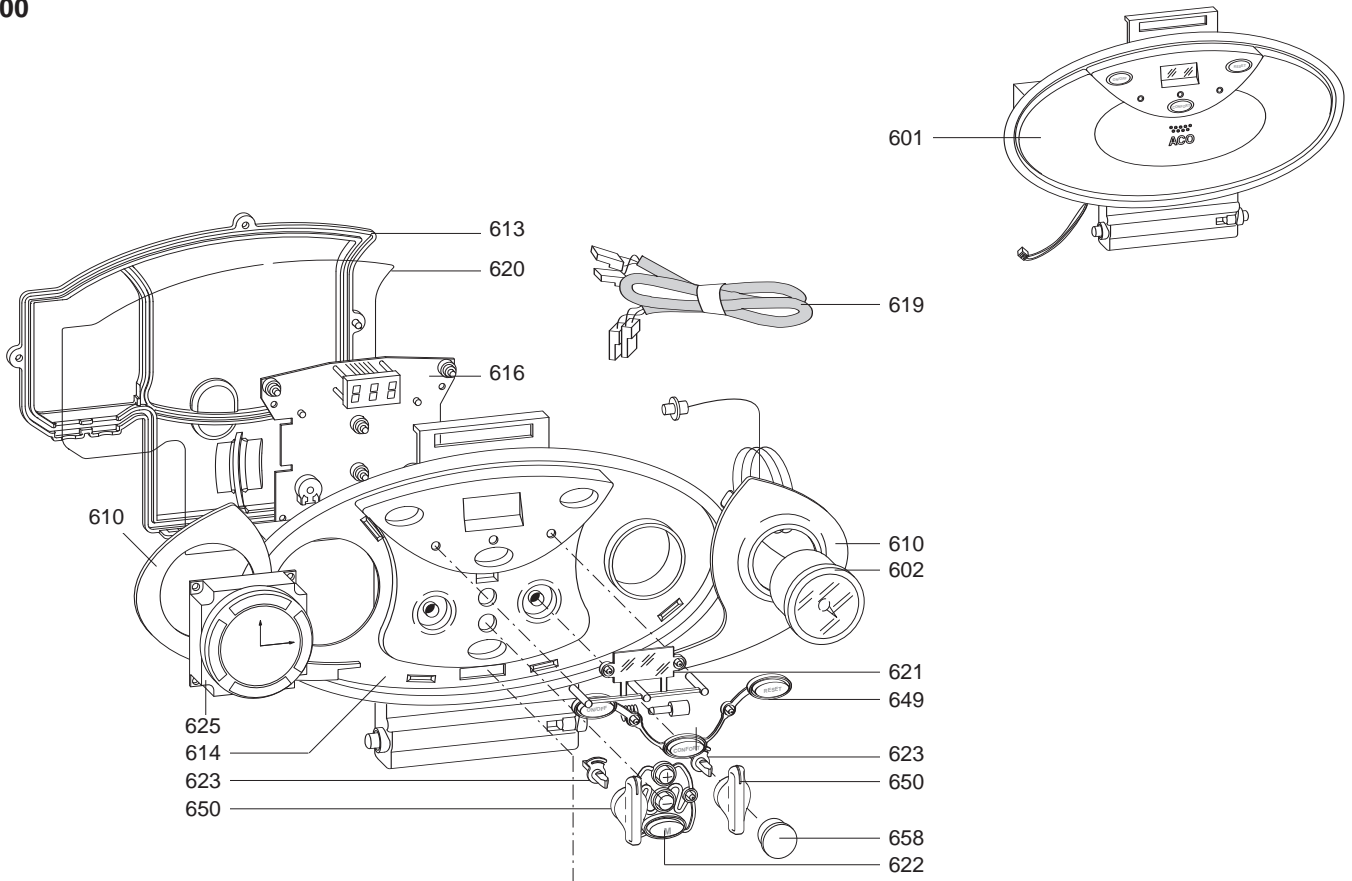
Domestic Gas Boilers



Key N	Description	Manf. Pt. N	Other	Type	ACO MFFI				Manf. date	
					ACO MFFI	ACO RFFI	ACO MFFI	ACO RFFI	from	to
0500	WATER SECTION ASSY									
0501	MANIFOLD (C.W. INLET)	65101009			•	•				
	FILLING UP UNION	65102899			•	•	•			
0502	MOTOR (3-WAY VALVE)	997147			•	•				
0503	DELIVERY PIPE	65103206			•	•			07/05	
	DELIVERY PIPE	65103217			•	•	•		07/05	
	DELIVERY PIPE	65102243			•	•				06/05
	DELIVERY PIPE	65102256			•	•	•			06/05
0504	SCREW (M4X102)	990438			•	•	•	•		
0505	O-RING	990392			•	•	•	•		
0506	U-CLIP	990386			•	•	•	•		
0508	O-RING	998424			•	•	•	•		
0513	FIXING CLIP (MOTOR)	997077			•	•	•	•		
0515	BY-PASS	999473			•	•	•	•		
0516	MANIFOLD (C.H. FLOW)	65102300			•	•	•	•		
	MANIFOLD (C.H. FLOW)	990384			•	•	•	•		
0517	MANIFOLD (PROBE CONNECTION)	995934			•	•	•	•		
0518	O-RING	990387			•	•	•	•		
0520	TEMPERATURE PROBE (D.H.W.)	998458			•	•	•	•		
0521	O-RING (C.H. FLOW MANIFOLD)	990383			•	•	•	•		
0522	FLANGE (C.H. FLOW)	995936			•	•	•	•		
0523	GASKET (DELIVERY GROUP)	990360			•	•	•	•		
0524	LOCK FLANGE	990404			•	•	•	•		
0525	VALVE RUBBER WASHER (3BAR)	65102015			•	•	•	•		
0526	RUBBER WASHER	65101295			•	•	•	•		
0527	O-RING 5030 EPDM	998517			•	•	•	•		
0528	U-CLIP	571548			•	•	•	•		
0529	PRESSURE GAUGE	65102220			•	•	•	•		
0530	U-CLIP	990385			•	•	•	•		
0531	AUTO AIR VENT WITH O-RING	995865			•	•	•	•		
0533	PIPE (C.H. RETURN)	65103207			•	•	•	•	07/05	
	PIPE (C.H. RETURN)	65103218			•	•	•	•	07/05	
	PIPE (C.H. RETURN)	65102244			•	•	•	•		06/05
	PIPE (C.H. RETURN)	65102257			•	•	•	•		06/05
0535	BY-PASS PIPE	990388			•	•	•	•		
0536	U-CLIP	997153			•	•	•	•		
0537	SAFETY VALVE	65103222			•	•	•	•		
0538	PUMP HEAD	65102902			•	•	•	•	10/04	
	PUMP HEAD	65102253			•	•	•	•		09/04
0539	D.H.W. FLOW SWITCH	995948			•	•	•	•		
0541	FIXING BRACKET (RETURN PIPE)	65100038			•	•	•	•		
0542	O-RING	990393			•	•	•	•		
0543	GASKET (RETURN GROUP)	990363			•	•	•	•		
0544	FLANGE (C.H. RETURN)	995932			•	•	•	•		
0545	PUMP GASKET	996123			•	•	•	•		
0546	MANIFOLD (C.H. RETURN)	991837			•	•	•	•		
0547	U-CLIP	65100421			•	•	•	•		
0548	CONTACT NTC PROBE	990405			•	•	•	•		
0549	FIXING PLATE (PROBE)	65101007			•	•	•	•		
0550	MOTOR SUPPORT	65100770			•	•	•	•		
	PLUG	65102301			•	•	•	•		
0551	O-RING (3118 EPDM)	990488			•	•	•	•		
0552	O-RING (3100 EPDM)	990489			•	•	•	•		
0554	ASSEMBLED SHUTTER	65102179			•	•	•	•		
0555	PLUG (DIVERTER VALVE)	990390			•	•	•	•		
0556	SPRING (DIVERTER VALVE)	65101008			•	•	•	•		
0570	SERVICE KIT (DIVERTER VALVE)	65101288			•	•	•	•		
0574	O-RING	998077			•	•	•	•		
0575	RETAINING CLIP (AUTO AIR VENT)	65101382			•	•	•	•		
0576	O-RING	995976			•	•	•	•		
0589	SECONDARY EXCHANGER	65102356			•	•	•	•		
	SECONDARY EXCHANGER	990685			•	•	•	•		
0590	O-RING	573825			•	•	•	•		

ACO

Domestic Gas Boilers

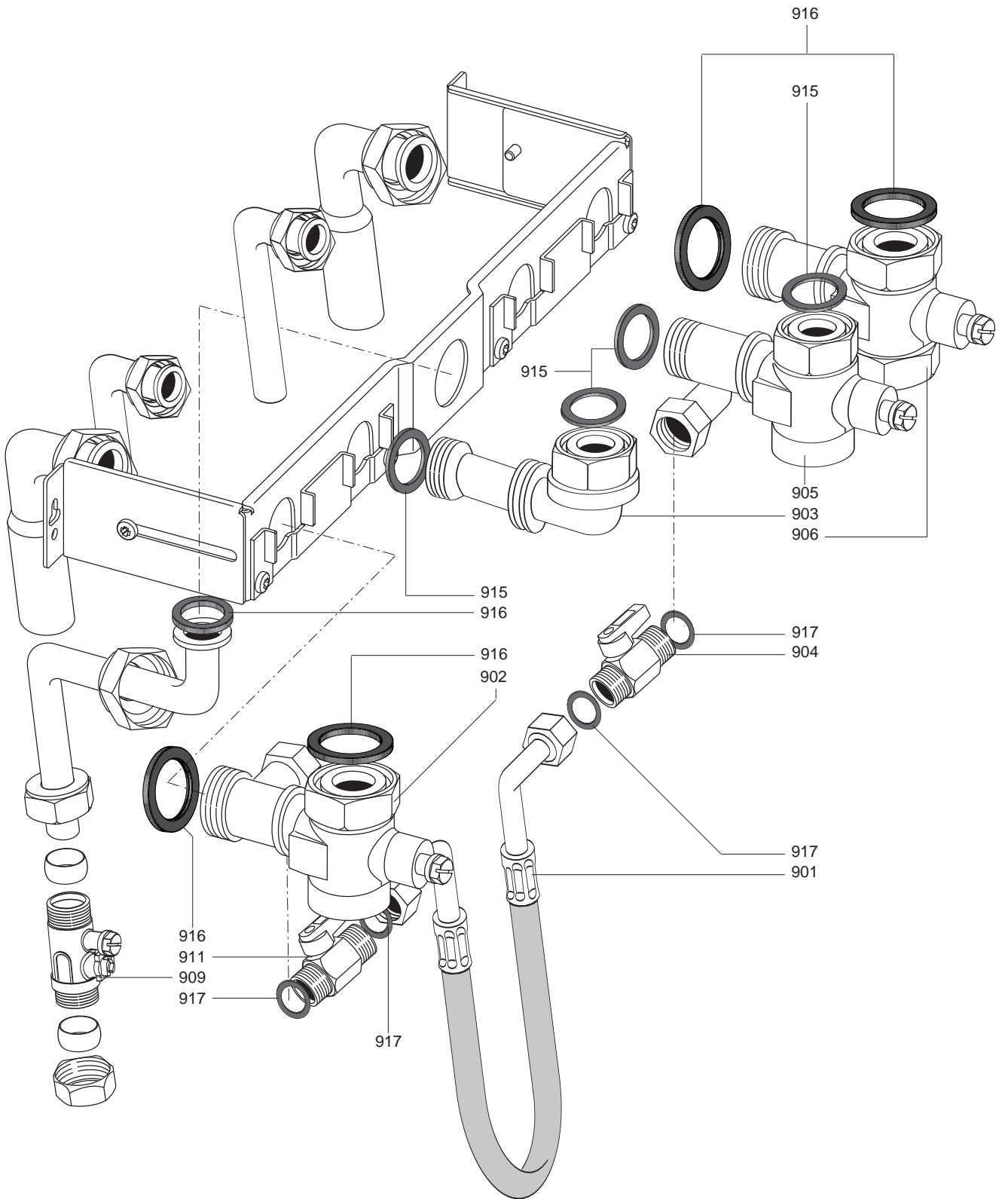




Key N	Description	Manf. Pt. N	Other	Type	27		32		Manf. date	
					ACO MFFI	ACO RFFI	ACO MFFI	ACO RFFI	from	to
<b>0600</b>	<b>ELECTRICAL BOX</b>									
0601	CONTROL PANEL (COMPLETE)	65102191			•	•				
	CONTROL PANEL (COMPLETE)	65102898				•	•		07/04	
	CONTROL PANEL (COMPLETE)	65102299				•	•			06/04
0602	PRESSURE GAUGE	65102220			•	•	•	•		
0603	COMPLETE HINGE	65103578			•	•	•	•		
0609	ELECTRIC BOX COVER	65102195			•	•	•	•		
0610	TRIM	65102228			•	•				
	TRIM	65102894				•	•			
0611	HIGH VOLTAGE WIRING	65102897			•	•			10/04	
	HIGH VOLTAGE WIRING	65102901				•	•		12/04	
	HIGH VOLTAGE WIRING	65102306				•	•			11/04
	HIGH VOLTAGE WIRING	65102182			•	•				09/04
0612	WIRING (INTERFACE - MAIN P.C.B.)	65102184			•	•	•	•		
0613	REAR CLAMP	65102194			•	•	•	•		
0614	CONTROL PANEL	65102209			•	•				
	CONTROL PANEL	65102303				•	•			
0615	P.C.B. (ACO-MCU)	65103508			•	•	•	•		
0616	P. C. B. (DISPLAY)	65102235			•	•	•	•		
0617	P.C.B. COVER PLATE	65102234			•	•	•	•		
0619	WIRING (INTERFACE - DISPLAY P.C.B.)	65102185			•	•	•	•		
0620	GASKET	65102265			•	•	•	•		
0621	DISPLAY GLASS	65102249			•	•	•	•		
0622	PUSH BUTTON GROUP (MENU)	65102213			•	•	•	•		
0623	SPINDLE (KNOB)	65100755			•	•	•	•		
0624	PUSH (CASE DOOR)	65100676			•	•	•	•		
0625	CLOCK	999599			•	•				
0634	LOW VOLTAGE WIRING	65102183			•	•				
	LOW VOLTAGE WIRING	65102307				•	•			
0637	CASE DOOR	65102208			•	•	•	•		
0638	CABLE (POWER SUPPLY)	65102187			•	•	•	•		
0641	MODULE KIT (EEPROM ACO)	65103509			•	•	•	•		
0649	PUSH BUTTON GROUP (MENU)	65102211			•	•	•	•		
0650	KNOB	65102222			•	•	•	•		
0651	CLIPS	990357			•	•	•	•		
0652	CONNECTOR (ROOM THERMOSTAT)	990381			•	•	•	•		
0653	CONNECTOR	65102254			•	•	•	•		
0654	CABLE CLAMP	571562			•	•	•	•		
0655	CABLE HOLDER	65100754			•	•	•	•		
0657	CABLE (FAN)	65102186			•	•	•	•		
0658	KNOB COVER	65102302				•	•			

ACO

Domestic Gas Boilers



Key N	Description	Manf. Pt. N	Other	Type			ACO MFFT	ACO RFFT	ACO MFFT	ACO RFFT	Manf. date	
					27	32					from	to
0900	JIG PLATE & PIPE FITTING											
0901	FILLING LOOP PIPE	990737			•	•	•	•				
0902	ISOLATING VALVE 3/4 (C.H. FLOW)	995486			•	•	•	•				
0903	UNION 1/2 (D.H.W. OUTLET)	998406			•		•					
0904	TAP (M/M 3/8 )	65102016			•	•	•	•				
0905	ISOLATING VALVE 1/2 (C.W. INLET)	995485			•		•					
0908	ISOLATING VALVE (3/4 RETURN)	999582			•	•	•	•				
0909	ISOLATING VALVE (GAS INLET)	571000			•	•	•	•				
0911	TAP (M/M 3/8 - C.H. FLOW)	990742			•	•	•	•				
0915	GASKET 1/2	573528			•		•					
0916	GASKET 3/4	573520			•	•	•	•				
0917	GASKET 3/8	573521			•	•	•	•				



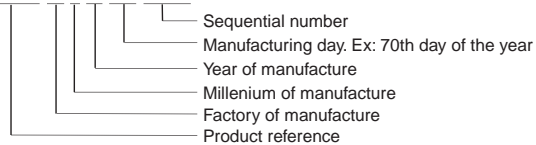
## LIST OF THE ABBREVIATIONS

HW .....	: Hot water.
CW .....	: Cold water.
C .....	: Ceramic resistance (normal heating).
Ca .....	: Ceramic resistance (accelerated heating)
TP .....	: Immersion heater.
1F .....	: With fittings.
2F .....	: Without fittings.
3F .....	: With fittings and another outlet connection.
AMI .....	: With mixing valve.
SMI .....	: Without mixing valve.
PUISS .....	: Power of th appliance.
PN .....	: Appliance with normal pression.
LP .....	: Appliance with low pression.
PV .....	: Appliance with variable power.
PF .....	: Appliance with fixed power..

## IDENTIFICATION PLATE

### SERIAL NUMBER

Ex: 0537095 23 2 04 070 00315



The indications mentioned on the prices, commercial or technical literature and the scheme are written for your guidance and are available at a given time. The CONSTRUCTOR retains the power to modify the presentation, the form, the size, the conception or the material of the products.