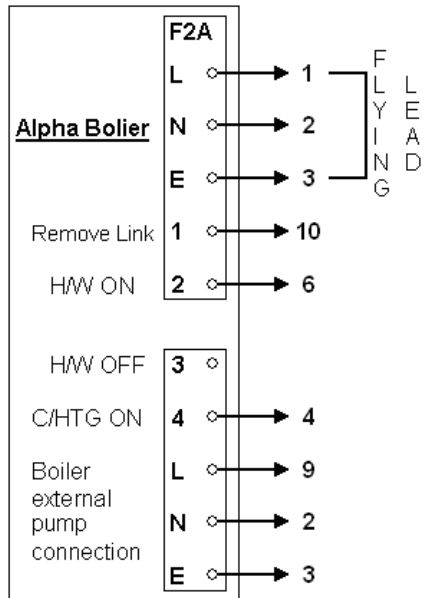
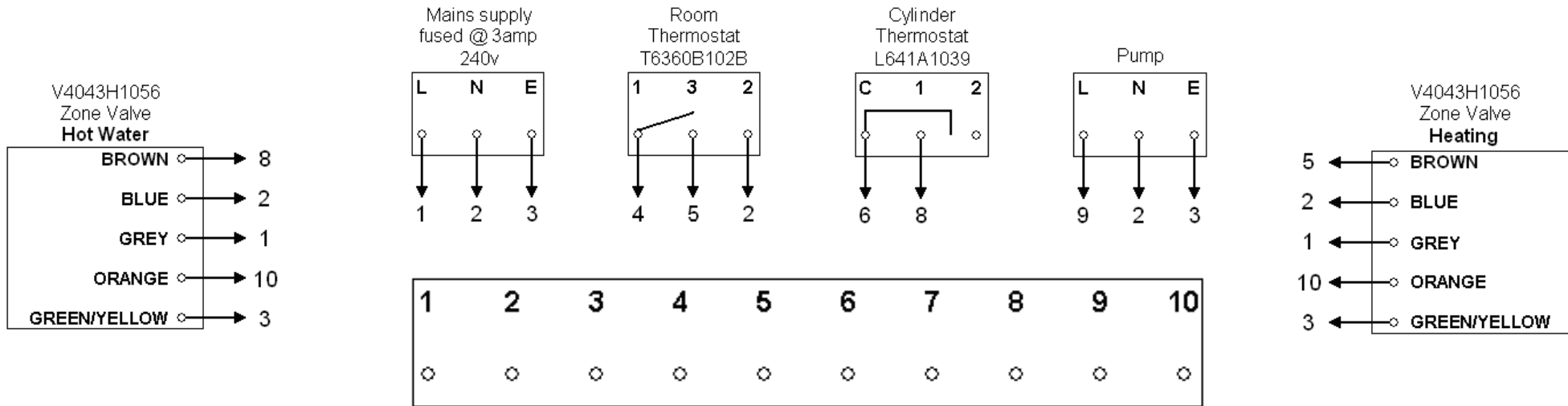


A system automatic bypass valve is required

Wiring diagram for use with an Alpha CD13R, CD18R & CD24R with a plug in Alpha 7-day digital 2 channel heating clock + Honeywell S plan.



NOTE: To connect external control, remove link from terminals 1 and 2 and connect a 230/240v switched live to terminal 1

NOTE: If you would like the option of the 2 channel Easy Stat. Please place a link between 4 and 5 on the wiring center and omit the room thermostat

- 5 ♂ WHITE
 - 4 ♂ GREY Alpha 7-Day Digital 2 Channel Heating Clock
 - 3 ♂ BLACK
 - 2 ♂ BLUE
 - 1 ♂ BROWN
- Connect clock terminals spade connectors to wires provided inside control panel i.e.:
- 1= Brown to clock terminal 1.
 - 2= Blue to clock terminal 2.
 - 3= Black to clock terminal 3.
 - 4= Grey to clock terminal 4.
 - 5= White to clock terminal 5.

NOTE: Pump live must always be connected to the pump live terminal provided in the boiler control panel, e.g via junction box terminal 9

