



GC3 (THREE OVEN)

WARNING: If the information in this manual is not followed exactly, a fire or explosion may result causing property damage, personal injury or death.

Do not store or use gasoline or other flammable vapors and liquids in the vicinity of this or any other appliance.

WHAT DO YOU DO IF YOU SMELL GAS

- . Do not try to light any appliance.
- . Do not touch any electrical switch
- . Do not use any phone in your building.
- . Immediately call your gas supplier from a neighbors phone.
Follow the gas suppliers instructions
- . If you can not reach your gas supplier call the fire department.

Installation and service must be performed by a qualified installer, service agency or the gas supplier.

Users Instructions

PLEASE READ THESE INSTRUCTIONS BEFORE USING THIS APPLIANCE

INSTALLER: LEAVE THESE INSTRUCTIONS WITH THE APPLIANCE.
CUSTOMER: KEEP THESE INSTRUCTIONS FOR FUTURE REFERENCE



FOR USE IN USA/CANADA

03/08 EOP1 512842

CONTENTS

SECTION	PAGE
SAFETY PRECAUTIONS	3 - 4
THE ORIGIN OF THE AGA	4
YOUR AGA RANGE	5
HOW THE RANGE FUNCTIONS	6
HINTS ON YOUR AGA RANGE	6
LOCATION OF NAME PLATE	6
LIGHTING THE BURNER	7
TO EXTINGUISH THE BURNER	8
SERVICE	8
GENERAL CLEANING	8
BAKING OVEN	8
BURNER CONTROLS	9
FITTING OF OVEN SHELVES	10
REMOVAL OF OVEN SHELVES	11

SAFETY PRECAUTIONS

This booklet has been prepared in the interest of providing you, the customer with basic information on the safe correct use of your Aga Gas Range.

Instructions are provided on the operation and maintenance after care of the Aga range, and we would recommend that you read this instruction before you **begin** cooking.

Basic Range Safety Precautions

1. Do not store combustible materials, gasoline or other flammable vapors and liquids near a range.
2. Ensure and maintain continual free passage of air to the burner housing. Do not stand obstacles against burner outer door and loose hair from dogs or cats must not be allowed to accumulate behind the burner outer door.

Child Safety

Children **MUST** be taught safe range practices to prevent possible injury. Listed below are some basic practices we recommend you read and follow for safe use of this appliance when children are present.

Children are more sensitive to heat than adults, therefore:

1. Do not leave children alone unsupervised near the range and discourage them from this area.
2. Children should not be allowed to mount any part of the range.
3. Children **MUST** be taught that the range and its utensils can be hot.
4. Children should be taught that the range is not a toy. They should be forbidden to play with the range gas controls behind burner outer door or any other range parts.
5. Let the heavy, hot utensils cool in a safe place but out of reach of small children.

CAUTION: AVOID STORING ITEMS OF INTEREST TO CHILDREN IN ANY CABINETS INSTALLED ABOVE THE RANGE TO PREVENT THE RANGE BEING USED TO OBTAIN CABINET ACCESS AND POSSIBLE SERIOUS INJURY.

Gas Odours

If a gas odour is apparent with the pilot and main burner alight, turn off the gas supply to the range. Call your installer or local gas company to ensure that the gas pipework is sound.

WARNING: NEVER USE A MATCH OR NAKED FLAME TO LOCATE A GAS LEAK.

Safety Precautions and Hints

Temperatures in cabinet storage spaces above the range may be unsafe for storage of some types of materials such as volatile liquids or aerosol sprays which can explode.

Ensure spare storage cabinets are capable of supporting the heavy weight of cooking utensils in the range.

The maximum depth of any cabinets installed above the top of the range must not exceed 330mm (13in).

Grease

WARNING: HOT GREASE IS FLAMMABLE.

Wipe off any grease deposits on the range top and front.

Do not leave containers of cooking fat around the range.

In the event of a grease fire, do not remove the pan, but cover the pan to extinguish the flame.

WARNING: DO NOT DOUSE FLAME WITH WATER.

Use a dry chemical type fire extinguisher if available, or sprinkle heavily with baking soda.

SAFETY PRECAUTIONS (CONTINUED)

Range Cooking Safety Precautions and Hints

Never reach directly into a hot oven to add or remove cooking utensils. Instead, pull the oven grid shelf out to its maximum projection and load or remove utensils.

Oven gloves will be necessary on utensils removal.

Although the range itself provides gentle radiation and convected warm air currents, it may not be used for increased space heating by exposing the hotplate with the insulating covers permanently raised or the oven doors left open. This instruction is based on safety considerations where accidents could occur, as does the use of ovens for storage space.

WARNING: DO NOT HEAT A CLOSED GLASS OR METAL CONTAINER IN THE OVEN.

Pressure-build in the container may cause it to burst and result in harmful personal damage.

General Safety Precautions and Hints for Cooking Utensils

1. Ensure utensils have flat machined bases to obtain perfect contact with the hotplate.

2. Ensure the correct size utensil is chosen to prevent food boil-over.

WARNING: NEVER LEAVE A DEEP FAT FRYING OPERATION UNATTENDED.

3. Always turn utensils handles away from the front of the range and out of reach of small children.

THE ORIGIN OF THE AGA RANGE

Developed in the late 1920's, as a solid fuel unit, the concept provided the facility to bake, boil, braise, broil, roast, stew, toast and fry with the minimum of attention, and at the same time provide perfect cooking and easy management, with automatic heat control.

Later gas-firing developments have maintained this same standard of cooking facility, combined with safe automatic gas burning to ensure the absolute minimum of attention.

The range operates without any electrical power supply and can be operated on Natural or L.P.G. gases (depending on model type), the range being connected to a chimney flue to duct the products and oven smells away.

YOUR AGA COOKER

Is a heat storage cooker with an automatic gas control, which will keep the temperature of the cooker constant when not in use and return it to the constant temperature after use.

The GC3 cooker has three ovens, namely, the Roasting Oven, Baking Oven and Simmering Oven. 'Grilling' and 'frying' can be done in the top and bottom positions in the Roasting Oven.

Your Aga is supplied with the following accessories:

- 1 Large roasting tin with grill rack
- 1 Half-size roasting tin with grill rack
- 3 Oven grid shelves
- 1 Plain shelf
- 1 Toaster
- 1 Aga book
- 1 Wire brush

In addition there is a guarantee registration card which should be completed and returned to Aga.

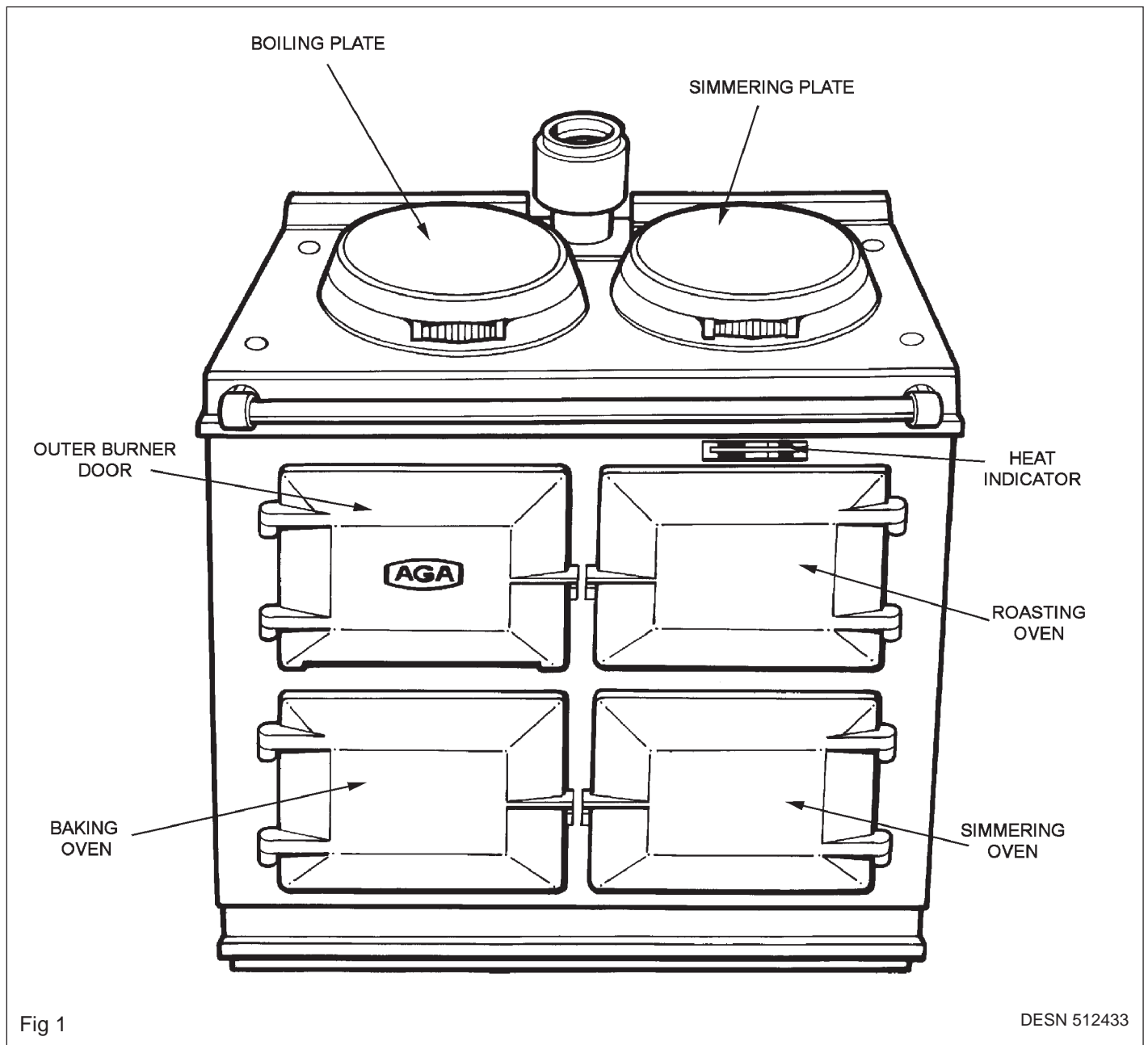


Fig 1

DESN 512433

HOW THE RANGE FUNCTIONS

This Aga range is a gas-fired heat storage range in which the main burner is alight continuously to automatically maintain the oven and hotplate temperature.

When the temperatures are attained, the amount of gas to the burner is automatically reduced from HIGH to LOW to maintain steady temperature when the range is not in use.

Loading the range will cause the main burner to revert to HIGH so that the temperatures are brought back as quickly as possible.

From initial cold lighting, it will take the range about 6 hours to attain steady temperature condition, and after initial temperature checks the range is controlled automatically, without the use of an electrical power supply.

HINTS ON YOUR AGA RANGE

The following points should be carefully observed and adhered to:

1. Cook as much as possible in the ovens.
2. Close the hotplate insulating lids whenever the hotplates are not in use.
3. Clean the hotplate surface regularly with the wire brush provided.
4. Utensils with flat machined bases must be used to make perfect contact with the hotplates.
5. Have the range serviced at 12-monthly intervals by your Authorised Aga Distributor or local Gas Company.
6. Mop up spills as they occur.
7. Consult the Aga Book for more cooking hints.

LOCATION OF NAME PLATE


The model and serial numbers are found on the name plate located on the burner housing panel (adjacent to gas control valve, inside the outer burner door).

LIGHTING THE BURNER

A single gas burner located beneath the L.H. hotplate provides all the heat required for the operation of the Aga gas range.

Open the burner outer door to expose the gas control combination valve. (See Fig. 2 and 3)

CAUTION: BEFORE LIGHTING, ENSURE THAT THE GAS VALVE CONTROL KNOB 2 IS SET IN THE O OFF POSITION (SEE FIG. 3A).

1. Turn on gas supply to cooker and open gas cock **1** at the base of the gas valve.
2. Turn the gas valve control knob **2** anti-clockwise to the position  (See Fig. 3B) . Press down and hold the knob in this position while depressing the piezo lighter knob **3** several times until the pilot has lit. This can be observed through the burner viewing window.
3. When the pilot has lit continue to hold the gas valve control knob down for approx. 30 seconds. If it goes out, wait three minutes and repeat the procedure holding for a little longer.
4. With the pilot flame established, rotate the gas valve control knob **2** anti-clockwise to its low fire position (See Fig. 3C). Where upon the main burner will automatically light. Leave in the low fire position for at least 30 minutes.
5. After 30 minutes rotate the control knob further anti-clockwise to the mid-position of the green band for normal running. (See Fig. 3D).

NOTE: AFTER SEVERAL HOURS THE TEMPERATURE OF THE COOKER CAN BE MONITORED BY THE HEAT INDICATOR. THE START OF THE GREEN BAND SHOULD BRING THE THERMOMETER TO THE BLACK LINE POSITION. IT MAY BE NECESSARY TO ADJUST THE CONTROL KNOB SLIGHTLY IN THE GREEN BAND TO ACHIEVE THIS.

When the cooker is lit from cold, moisture may form on the enamel which should be wiped off to prevent staining.

IF THE FLAME HAS EXTINGUISHED FOR WHATEVER REASON, WAIT THREE MINUTES (MINIMUM) BEFORE RE-LIGHTING.

THE HEAT INDICATOR

The heat indicator is located above the Top Roasting Oven door and three indicators - black, silver and red, with a black line between the black and red sections.

When the mercury is on or about the black line in the silver section, the range is at the correct working temperature.

The purpose of the heat indicator is to show whether the range contains the full amount of stored heat and it should only be referred to first thing in the morning or after a period of several hours recovery from cooking.

A steady mercury line in the red section indicates ovens with too high a temperature, or in the black section, too low.


The setting of the combination gas valve knob at mid-position of green band should normally ensure the range running at the correct temperature, with the mercury on or about the black line in the silver section.

Any discrepancy can be resolved by marginally advancing or retarding the knob within the green band to compensate. Once the correct setting has been confirmed, the heat control will operate automatically to maintain the range at full temperatures.

NOTE: REMEMBER TO NOTE THE SETTING POSITION IF TURNING THE RANGE OFF.

TO EXTINGUISH THE BURNER

Short Periods

Turn the combination gas valve thermostat knob 2 clockwise until the knob symbol  is adjacent to its register point. This will extinguish the main gas burner, leaving the pilot flame alight, and will maintain some warmth within the range during the period of non-use.

Long Periods

To completely extinguish the pilot burner, set the knob to symbol I. Turn the service gas valve (1) to the OFF position.

This will extinguish both the main and pilot burners.

SERVICE

The burner should be checked and cleaned at regular 12-month intervals and arrangements should be made with your Aga Distributor or local Gas Company for regular maintenance.

GENERAL CLEANING

DO NOT USE A STEAM CLEANER TO CLEAN THIS COOKER.

All that is needed to keep the vitreous enamelled surfaces of the Aga bright and clean is a daily rub over with a damp cloth and, maybe, a little soapy water, followed by a clean, dry duster.

Do not use detergents to clean appliance labels, wipe with a damp cloth only.

If milk or fruit juice, or anything containing acid, is spilt on the top plate or front plate, be sure to wipe off immediately. Also clean off any condensation streaks on the front plate around oven doors, or the vitreous enamel may be permanently discoloured.

The linings of the insulating lids and oven doors may be cleaned with a soap pad. Open the lids and lift off the oven doors to allow them to cool a little before cleaning. Do not, however, immerse the doors in water as they are packed with insulating material, and this may be damaged by excessive moisture.

The Roasting Oven, Baking Oven and Simmering Ovens keep themselves clean and merely need to be brushed out occasionally with a long-handled stiff brush. A wire brush is provided for cleaning the hotplates.

BAKING OVEN

USING THE BAKING OVEN IMMEDIATELY AFTER PROLONGED SIMULTANEOUS COOKING IN THE ROASTING OVEN, SIMMERING OVEN AND ON THE HOTPLATES e.g. a full meal.

In the above case, the Baking Oven temperature may have risen to that of the Roasting Oven. It will therefore be necessary to adjust the cooking procedure in the Baking Oven and the following suggestions may prove useful:

1. When placing the food in the Baking Oven, ensure that the cold plain shelf is set directly above the dish, for the whole of the cooking time.
2. In addition it may be necessary to lower the shelf position.
3. When baking food, such as very rich fruit cakes, which require a long period of cooking time, place the cake on the grid shelf of the oven with the cold plain shelf set directly above, for 3/4 hour approximately. Move the plain shelf to the middle of the Simmering Oven. Transfer the cake to this shelf and bake until cooked through.
4. Alternatively, allow the Baking Oven to cool for approximately 4 hours before using.

NOTE: A loose metal plate is positioned in the top of the Baking Oven in order to optimise cooking performance. It must remain in place at all times while the cooker is in operation.

BURNER CONTROLS

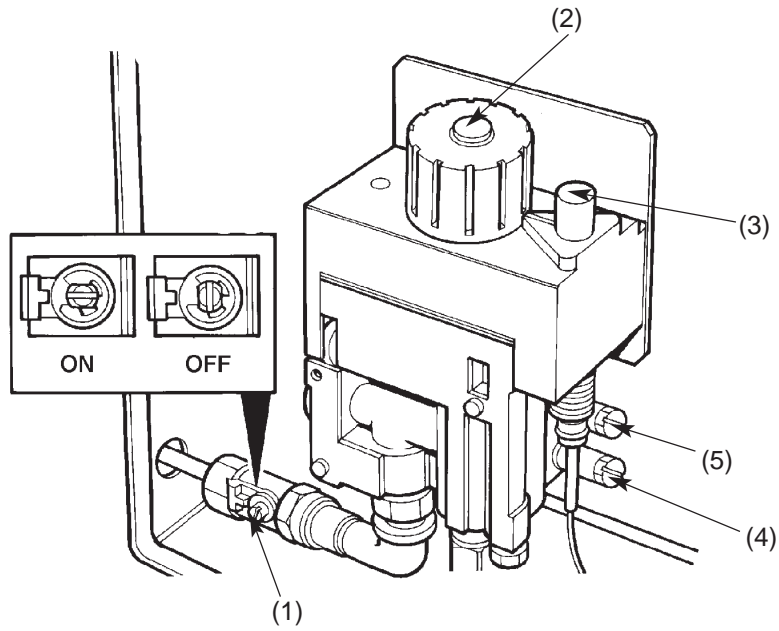


Fig. 2

DESN 512431

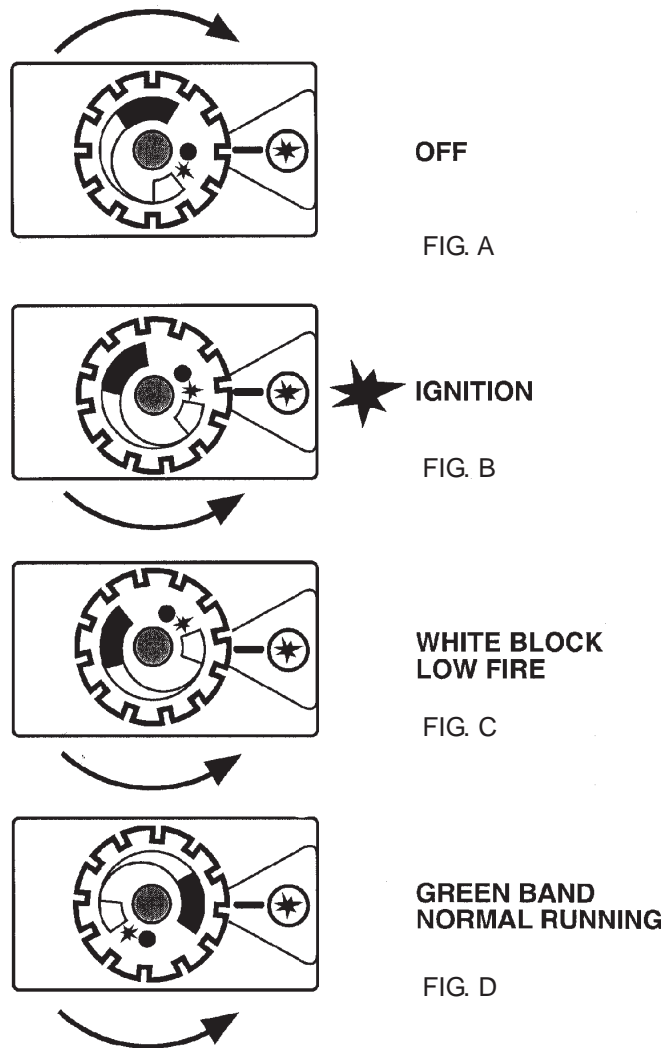
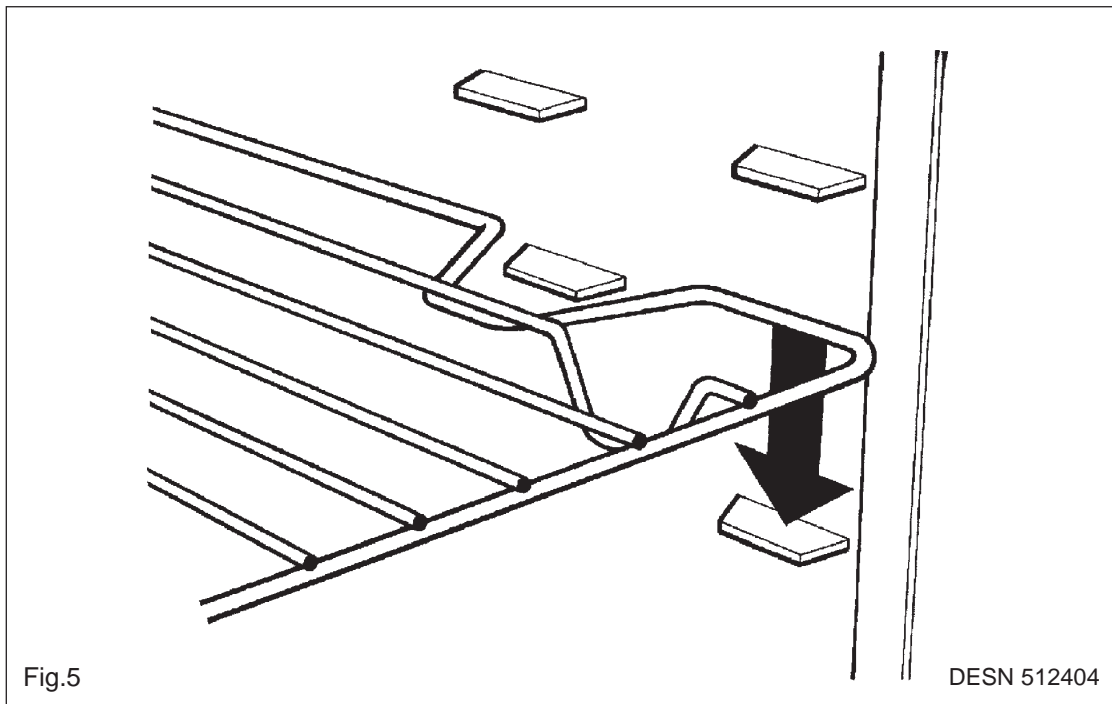
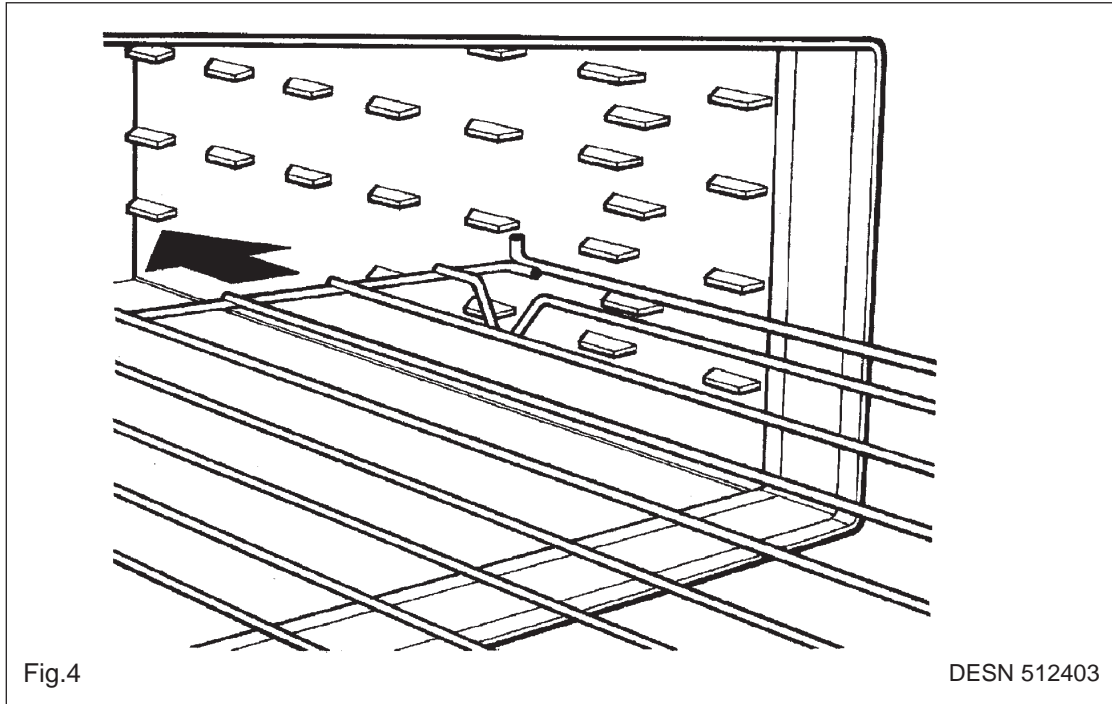


Fig. 3

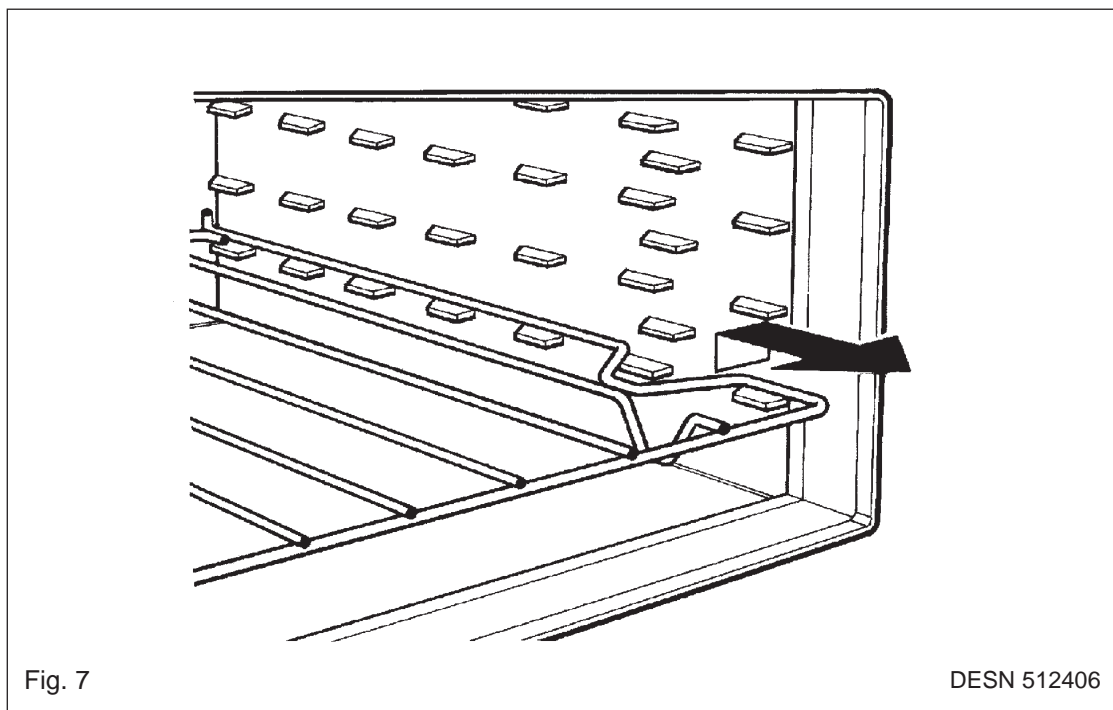
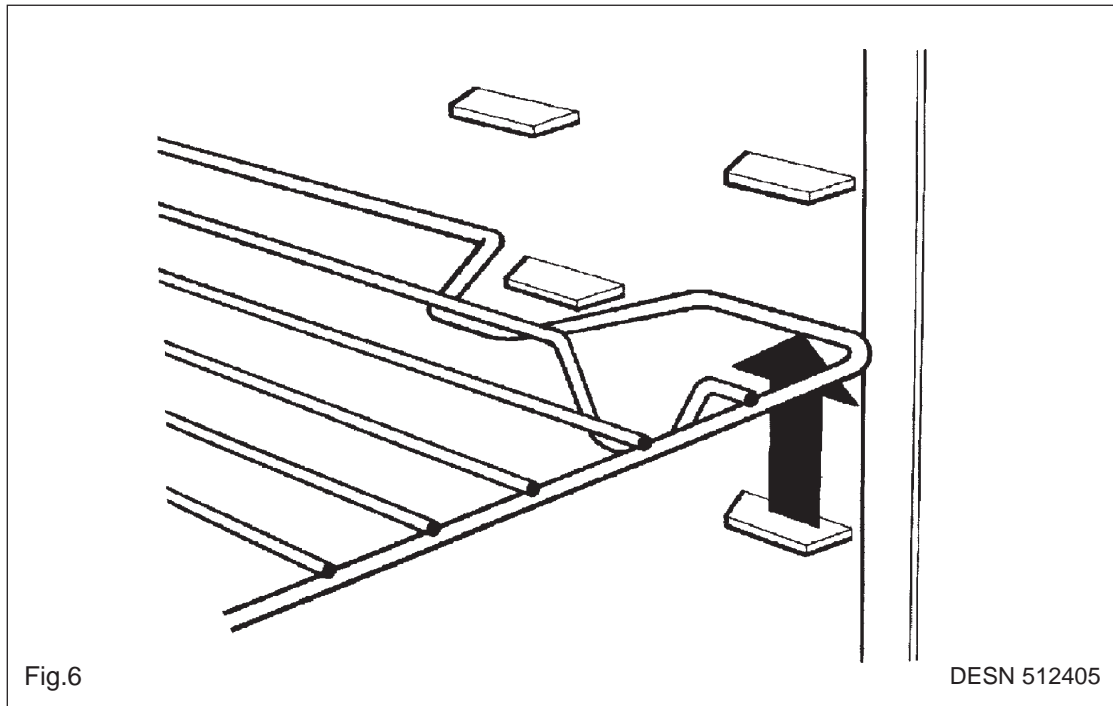
DESN 512342

FITTING OF OVEN SHELVES

If this is the first time you have used this type of oven shelf, go through the procedure of changing the oven shelf with the aid of Fig. 4 to 7.



REMOVAL OF OVEN SHELVES



**For further advice or information contact
your local distributor/stockist**

With Aga's policy of continuous product improvement, the Company reserves the right to change specifications and make modifications to the appliance described and illustrated at any time.



110 Woodcrest Road
Cherry Hill
NJ 08003
800.633.9200

www.aga-ranges.com