



Yeoman

Exe/Devon/County Double



Freestanding Double Sided Stove

INSTALLATION INSTRUCTIONS

For use in Great Britain and Eire.

This product is suitable for use in the stated countries. To install the product in other countries it is essential to obtain translated instructions and in some cases the product may require modification. Contact Yeoman Stoves to obtain further information.

Exe Double Double

YM-W9121FL / YM-W9122FL

Devon Single Double

YM-W9211FL / YM-W9212FL / YM-W9211LC / YM-W9212LC / YM-W9212HC

Devon Double Double

YM-W9221FL / YM-W9222FL / YM-W9221LC / YM-W9222LC / YM-W9222HC

County Single Double

YM-W9312FL / YM-W9312LC / YM-W9312HC

County Double Double

YM-W9322FL / YM-W9322LC / YM-W9322HC



IMPORTANT

Please read these instructions carefully before using the appliance.
Keep them safe for future reference and when servicing the fire.

TECHNICAL SPECIFICATION

YEOMAN EXE/DEVON/COUNTY

Model		Exe, Double Double	Devon, Single Double	Devon, Double Double	County, Single Double	County, Double Double	
Exe Double/Double YM-W9121FL / YM-W9122FL Devon Single Double YM-W9211FL / YM-W9212FL / YM-W9211LC / YM-W9212LC / YM-W9212HC Devon Double/Double YM-W9221FL / YM-W9222FL / YM-W9221LC / YM-W9222LC / YM-W9222HC County Single Double YM-W9312FL / YM-W9312LC / YM-W9312HC County Double/Double YM-W9322FL / YM-W9322LC / YM-W9322HC							
Nominal heat output	Wood	kW	11	9	13	15	22
	Solid Fuel	kW	8	9	12	11	N/A
Flue draught @ nominal heat output	All Fuels	mm Wg	1.5	1.5	1.5	1.5	1.5
		inch Wg	0.05	0.05	0.05	0.05	0.05
Flue gas mass flow	Wood	g/s	11.4	10.4	15.7	15.8	15.9
	Solid Fuel	g/s	6.0	10.9	14.9	14.6	N/A
Flue gas temperature @ spigot / socket	Wood	°C	448	500	465	527	498
	Solid Fuel	°C	448	500	465	527	N/A
Flue outlet size (top or rear option)		mm	150	150	150	150	150
		inch	6	6	6	6	6
Weight--		kg					
Recommended Fuels	Wood	Seasoned wood (less than 20% moisture content)					
	Solid Fuel	Briquetted smokeless fuel suitable for closed appliances. (Ancit - Phurnacite - Taybrite - Homefire ovals)					

As tested to the requirements of EN 13240 for intermittent operation.

TECHNICAL SPECIFICATION

STANDARD FEATURES

- Primary air (under grate air for full multifuel use)
- Airwash (for woodburning / clean glass)
- Static grate system
- Removable door handle tool
- Top flue exit
- Removable door cross option (2 door only)
- Rose or plain primary air spinners (1 door only)

Please note that firebricks are not used in Double models.

PACKING LIST

- 1 x User Instructions
- 1 x Installer Instructions
- 1 x Guarantee card
- 1 x Pair leather gloves
- 1 x Door handle tool
- 4 x Baffle extension tubes
- 1 x Cast flue spigot
- 1 x Pack of fixings

SITE REQUIREMENTS

IMPORTANT NOTICE

Before installation of this product please read these instructions fully.

It is very important to also understand the requirements of the UK Building Regulations (England and Wales – Document J / Scotland - Part F, Building Regulations, 1997 Technical Guidance Document J Heat Producing Appliances (Eire Only), along with any local regulations, and working practices that may apply. Should any conflict occur between these instructions and these regulations then the regulations shall apply.

Your local Building Control Office would be happy to advise should questions arise, regarding the requirements of the regulations.

The Yeoman Stove should be fitted by a HETAS (GB only)/ INFO (Eire only) registered installer, or approved by your local building control officer. Your Yeoman dealer should be able to arrange this service for you.

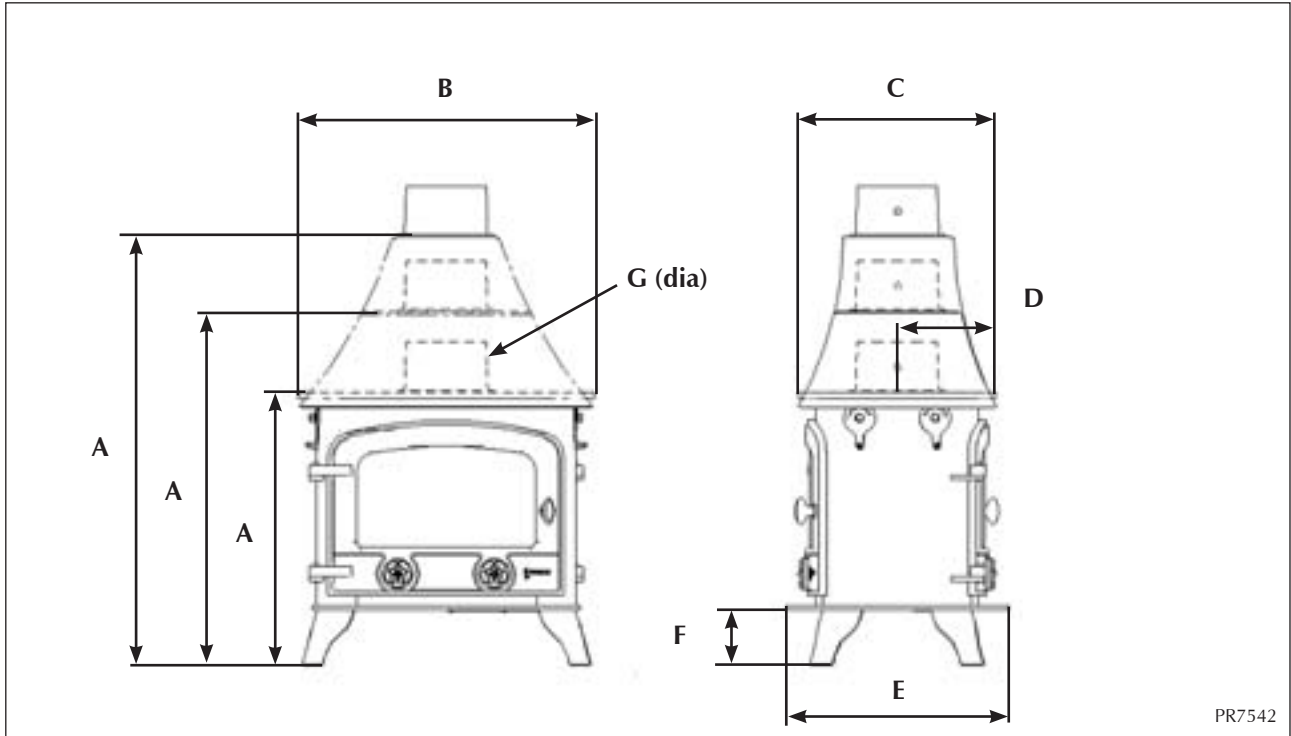
Your building insurance company may also require you to inform them that you have installed a new heating appliance, so check with your insurers that your cover is still valid after installing the Yeoman Stove.

When completing the installation and building works you should comply with your responsibilities under the Health and Safety at Work Acts, and any new regulations, which may be introduced during the lifetime of these instructions.

A faulty installation could cause danger to the inhabitants and structure of the building.

SITE REQUIREMENTS

YEOMAN STOVE DIMENSIONS



PR7542

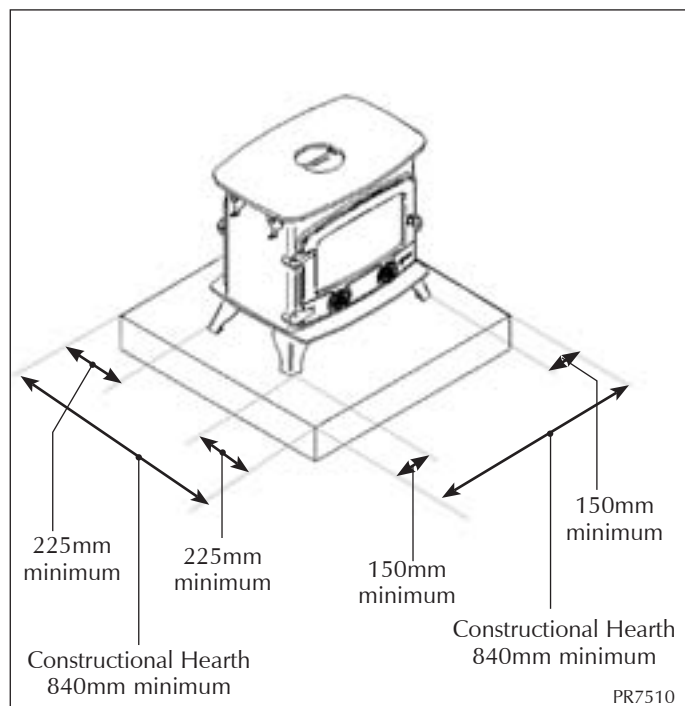
Description	A	B	C	D	E	F	G
Exe Double Double	517	620	545	272.5	580	89	150
Devon Single Double Flat Top	563	615	410	205	462	115	150
Devon Single Double Low Canopy	733	599	410	205	462	115	150
Devon Single Double High Canopy	888	603	410	205	462	115	150
Devon Double Double Flat Top	563	641	603	301.5	655	115	150
Devon Double Double Low Canopy	731	633	623	311.5	655	115	150
Devon Double Double High Canopy	888	628	638	319	655	115	150
County Single Double Flat Top	597	738	540	270	587	120	150
County Single Double Low Canopy	820	768	587	293.5	587	120	150
County Single Double High Canopy	935	768	540	270	587	120	150
County Double Double Flat Top	597	796	830	415	875	120	150
County Double Double Low Canopy	820	768	822	411	875	120	150
County Double Double High Canopy	935	768	820	410	875	120	150

SITE REQUIREMENTS

HEARTH DIMENSIONS

The Yeoman stove must stand on a constructional hearth with the minimum dimensions as shown in diagram below.

Check that the structure of the building has a suitable loadbearing capacity for the hearth and Yeoman stove. If in doubt consult a structural engineer for advice before proceeding.



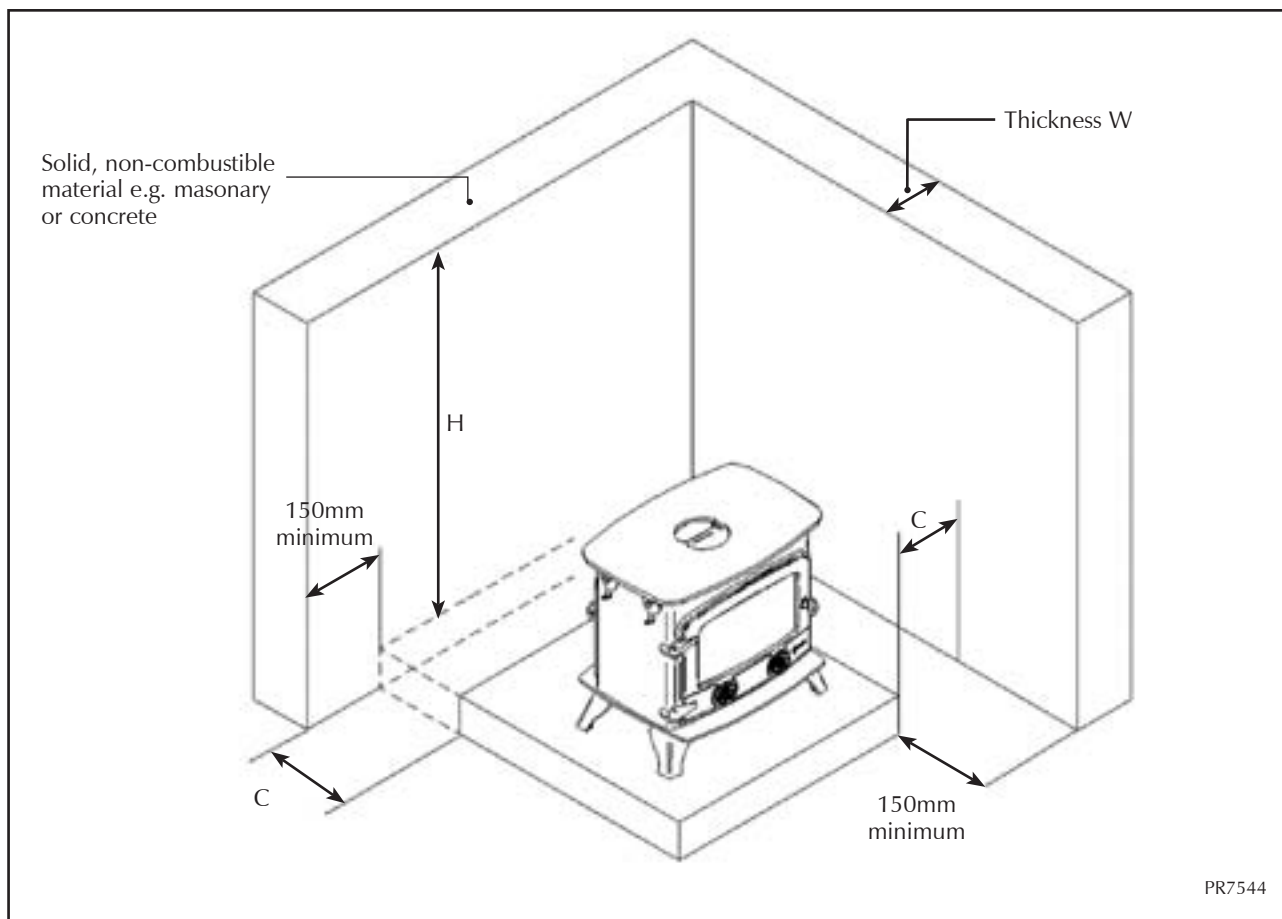
If you are fitting the appliance into an existing hearth setting check that it complies with the current construction regulations and is the minimum sizes shown.

If you have no existing fireplace or chimney, it is possible to construct a suitable chimney and hearth setting. However this should be constructed to comply with the requirements of both current national and local regulations with the design approved by your local building control officer. Masonry chimney systems built with clay or concrete liners or pre-fabricated block systems should be constructed in accordance with BS 6461 : Part 1. Factory made insulated systems should comply with BS 4543 : Part 2 and be installed to BS 7566 : Parts 1 to 4.

Remember that any new chimney added to your property may also require planning permission.

SITE REQUIREMENTS

WALLS NEXT TO HEARTH



Location of Stove and Hearth	Dimensions of non-combustible material around Stove		
	Distance 'C'	Thickness 'W'	Height 'H'
If the hearth touches the wall and the stove is placed 0-50mm from the same wall the non-combustible material has to be the dimensions as shown	Zero mm	200mm	Height of stove + 300mm or 1200mm above hearth (take largest dimension)
If the hearth touches the wall and the stove is placed 51-300mm from the same wall the non-combustible material has to be the dimensions as shown	Zero mm	75mm	Height of stove + 300mm or 1200mm above hearth (take largest dimension)
If the hearth does not touch the wall but is less than 150mm from it, the non-combustible material has to be the dimensions as shown	0-150mm	75mm	1200mm
If the hearth does not touch the wall but is more than 150mm from it, the non-combustible material has to be the dimensions as shown	Over 150mm	No minimum thickness	No minimum height

Suitable clearance should be around the stove to enable the correct fitting and maintenance of the stove. Any clearances should be confirmed by making a site survey and a physical check of wall thickness and dimensions.

PRE-INSTALLATION CHECKS

It is important that adequate ventilation exists and the flue or chimney system that is to be used is in good working condition. Products of combustion that enter the room could be a serious health risk. Before installation of this product we recommend that the flue or chimney system and ventilation requirements are inspected by a competent person, and passed as suitable for use with the appliance to be fitted. In particular the following should be checked:

1. FLUE AND CHIMNEY

- 1.1 The construction of the flue or chimney system should meet the requirements of the Building Regulations with sizes as shown on page 9.
- 1.2 An approved factory made system suitable for solid fuel use, complying with BS 4543: Part 2, may be used when installed to the requirements of BS 7566: Parts 1 to 4, the manufacturer's instructions and the requirements of Building Regulations.
- 1.3 New masonry chimney systems built with clay or concrete liners or pre-fabricated block systems should be constructed in accordance with BS 6461 : Part 1, and the requirements of Building Regulations, may be used.
- 1.4 A flexible flue liner system may be used, if it is independently certified for use with solid fuel systems, and is installed according to the manufacturer's instructions and the requirements of Building Regulations. If an appliance is being replaced on an existing flexible flue liner system, the liner system should be replaced, unless it can be proved to be recently installed and can be seen to be in good condition.
- 1.5 Do not connect to systems containing large voids or over 230mm square (9" square).
- 1.6 The minimum height of the flue or chimney must be 4.5m (15') when measured from the hearth to the top of the flue, with no horizontal sections and a maximum of 4 bends with angles of less than 45 degrees.
- 1.7 The flue exit from the building should be positioned to comply with the requirements of the Building Regulations.
- 1.8 Any existing flue should be confirmed as suitable for the new intended use, as defined in the Building Regulations.
- 1.9 Any existing flue or chimney system must be inspected and swept by a NACS registered (UK only) chimney sweep, to confirm that the system is structurally sound and free from any obstructions.
- 1.10 Suitable access should be provided to enable the collection and removal of debris.
- 1.11 Provision should be made to sweep and inspect the flue when the appliance is installed.

- 1.12 No other heating appliances should be connected to, or share, the same flue or chimney system.
- 1.13 Check the flue draught. This should be done with all windows and doors closed and any extraction fans in this or adjoining rooms running at maximum speed. (See next section for additional ventilation requirements)

Max. Draught = 2.0mm Wg
Min. Draught = 1.0mm Wg

Note: A guide containing general information on chimneys and flues is obtainable from: -

The British Flue & Chimney Manufacturers' Association,

FETA
2 Waltham Court
Milley Lane
Hare Hatch
Reading
Berkshire RG10 9TH

Tel : - 0118 9403416 e-mail :- info@feta.co.uk

- 1.14 Where a hearth, fireplace, flue or chimney is provided or extended (including cases where a flue is provided as part of refurbishment work), information essential to the correct appliance and use of these should be permanently posted in the building, to meet Requirement J4 of the Building Regulations (England and Wales), F3.12 (Scotland).

PRE-INSTALLATION CHECKS

Model			Exe Double Double	Devon Single Double	Devon Double Double	County Single Double	County Double Double
Flue / Chimney size	Without liner system Round (diameter)	mm	150	150	150	150	150
		inch	6	6	6	6	6
	Without liner system (square) minimum dimension	mm	135	135	135	135	135
		inch	5½	5½	5½	5½	5½
	With liner system (square) minimum dimension installed in accordance with manufactures instructions	mm	150	150	150	150	150
		inch	6	6	6	6	6
Flue / Chimney minimum height*		m	4.5	4.5	4.5	4.5	4.5
		feet	15	15	15	15	15

* When measured from the top of the flue, with no horizontal sections and a maximum of 4 bends with angles of less than 45°

2. ADDITIONAL VENTILATION

- 2.1 Additional ventilation will be required to comply with the requirements of the Building Regulations. This should be provided using a permanently open air vent, of the size listed, which is positioned so that it is not liable to be blocked both inside and outside the building.
- 2.2 Extractor fans or cooker hoods should not be placed in the

same room or space as the appliance.

- 2.3 **If any of these checks reveal problems do not proceed with the fitting of the appliance until they have been rectified.**

Model			Exe Double Double	Devon Single Double	Devon Double Double	County Single Double	County Double Double
Additional ventilation	mm ²		3300	2200	4400	5500	9350
	cm ²		33	22	44	55	93.5
	ln ²		5.1	3.4	6.8	8.5	14.5

INSTALLATION INSTRUCTIONS

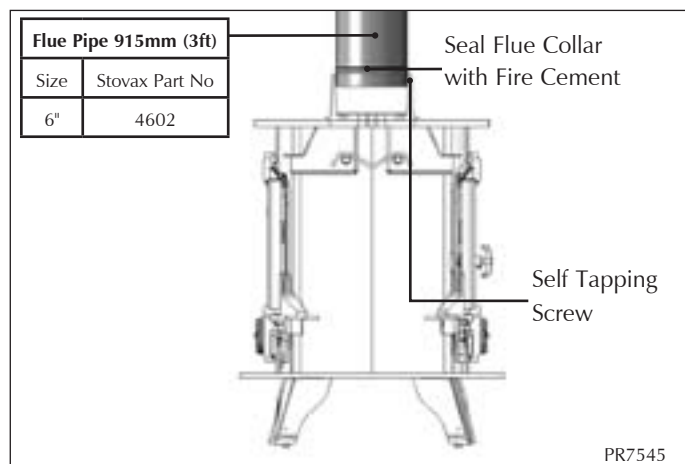
Because each installation is unique to the property, it is not possible to give full details to suit every setting. However the installation should comply with the requirements of the Building Regulations and be made using "best practice" construction methods.

Remember that many fireplace openings will have a supporting lintel. Do not remove this without making provision to support the remaining structure of the building. **The Yeoman stove must not form any part of the supporting structure.**

1. INSTALLING THE STOVE

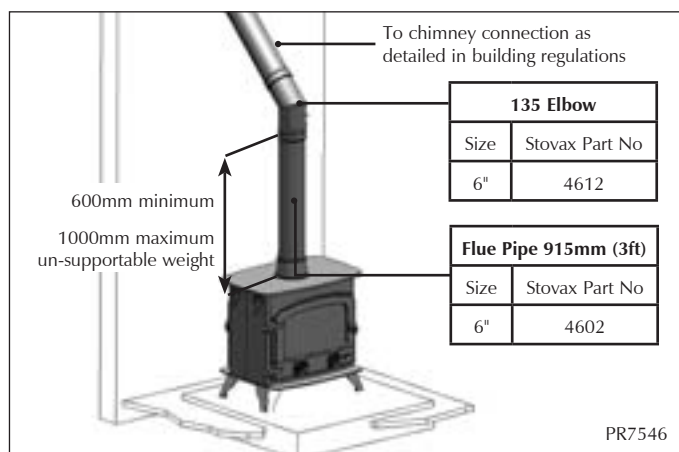
- 1.1 Fit and seal, with fire cement, the flue collar. The black allen bolts should be used to fix the attachment visible on the top plate/canopy. Bolt the flue collar to the stove.
- 1.2 Lift the stove into position on the prepared hearth area, taking care not to damage the hearth finish.
- 1.3 Connect the stove to the chimney system, using Stovax enamelled flue pipe and seal the connecting joints. Typical top flue connection is shown.

1.4 Top flue pipe installation



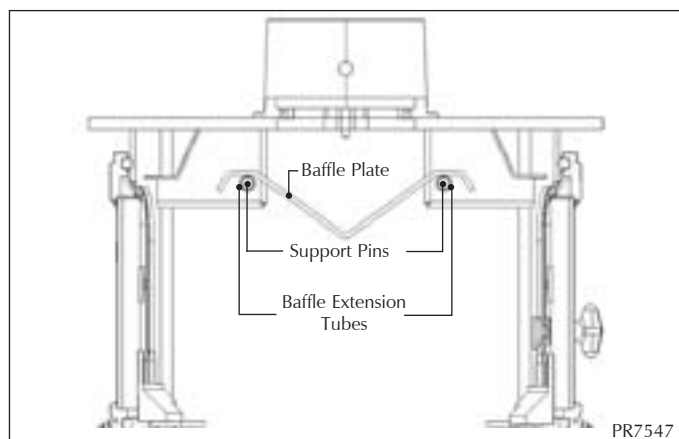
Connect a flue pipe by inserting it into the flue spigot, seal using fire cement and secure with a suitable self tapping screw.

Typical top flue installation. Flue to be installed in accordance with manufacturers instructions.



2. FITTING BAFFLE

Exe Double Depth, Devon Single Depth, Devon Double Depth & County Single Depth
Single Piece Baffle

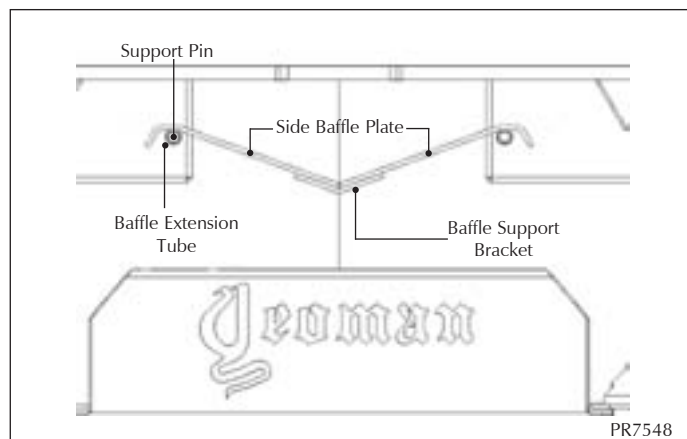


- 2.1 To maintain efficient combustion the stove is fitted with a baffle in the top of the firebox.
- 2.2 Allow the stove to cool fully before removing the baffle system.
- 2.3 To fit the baffle, open the door and remove the log guard to give access to the firebox.
- 2.4 Manoeuvre the baffle into the stove across the firebox. Lift one end up and rest it on the baffle pins, pushing it as far to that side as possible. Raise the opposite end up above the baffle pins, insert the baffle extension tubes over the baffle pins and lower that end of the baffle plate down to rest on these tubes.
- 2.5 Raise the other end of the baffle plate and attach the baffle extension tubes to the baffle pins, lower the baffle plate onto these tubes.
- 2.6 Centre the baffle plate.
- 2.7 The removal of the system is the reverse of this operation.

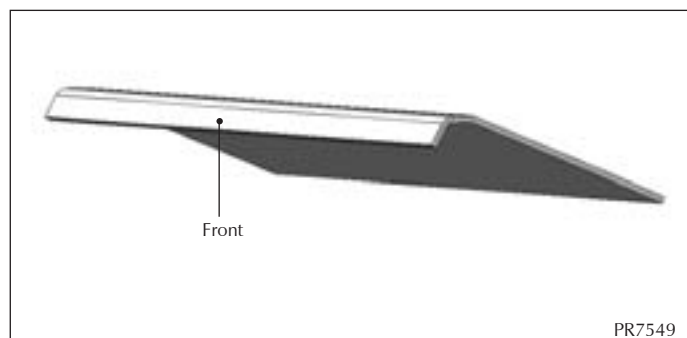
INSTALLATION INSTRUCTIONS

County (double depth, double sided models only)

Two piece Baffle



- 2.8 To maintain efficient combustion the stove is fitted with a baffle in the top of the firebox.
- 2.9 Allow the stove to cool fully before removing the baffle system.
- 2.10 To fit the baffle, open the door and remove the log guard to give access to the firebox.
- 2.11 Manoeuvre one of the baffle plates into the stove with the shorter flat area closest to you. Raise this edge up past the baffle pins and locate the rear edge on the baffle support bracket. Attach the baffle extension tubes and lower the front edge to rest on them.
- 2.12 Repeat the operation from opposite side with second baffle plate.



- 2.13 The removal of the system is the reverse of the previous operations.
- 2.14 It is important to remove and clean the Baffle System to ensure the flue ways are clear of soot and debris and to ensure the safe and efficient operation of the stove. The frequency of cleaning will depend on the stove operating conditions.

2.15 The baffle system is designed to give safe and efficient operation of the stove. Replace any damaged baffles immediately.

2.16 Do not modify the baffle system.

3. FITTING MULTIFUEL KIT TO WOODSTOVE (OPTIONAL)

Description	Fuel Consumption	
	Kg/Hour Wood (300mm long)	Kg/Hour Briquetted Smokeless Fuel
Exe Double Double	3.5	1.2
Devon Single Double	3.5	1.6
Devon Double Double	4.5	2.2
County Single Double	5.1	2.3
County Double Double	6.9	N/A

Description

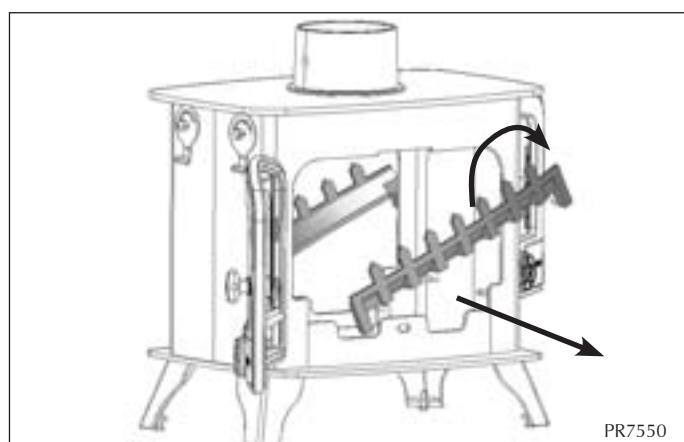
Exe Double Depth, Double Sided M/F Kit
 Devon Single Depth, Double Sided M/F Kit
 Devon Double Depth, Double Sided M/F Kit
 County Single Depth, Double Sided M/F Kit

Code

YM-A9140DDCE
 YM-A9240SDCE
 YM-A9240DDCE
 YM-A9340SDCE

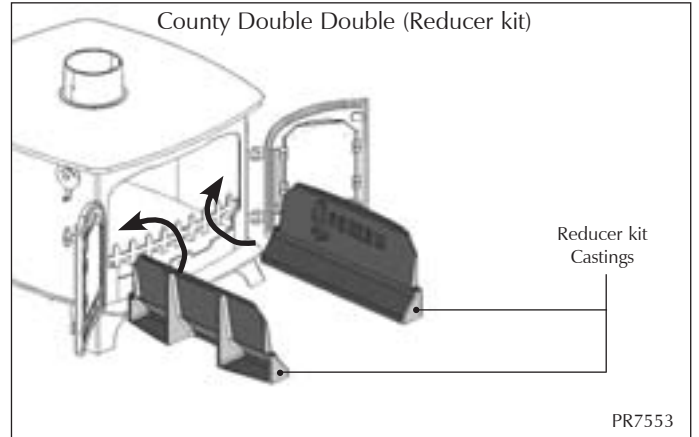
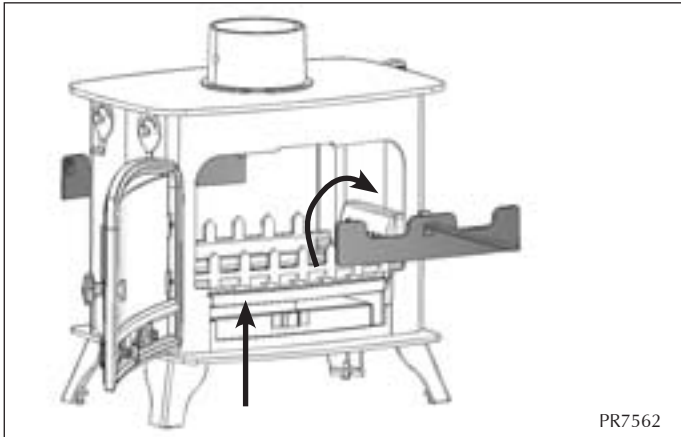
Excludes County Double Double

- 3.1 These instructions cover the fitting of the optional multifuel kit to a wood stove, to enable the burning of manufactured smokeless fuels as listed in the User Instructions.
- 3.2 Remove the log guards from both sides of the stove.

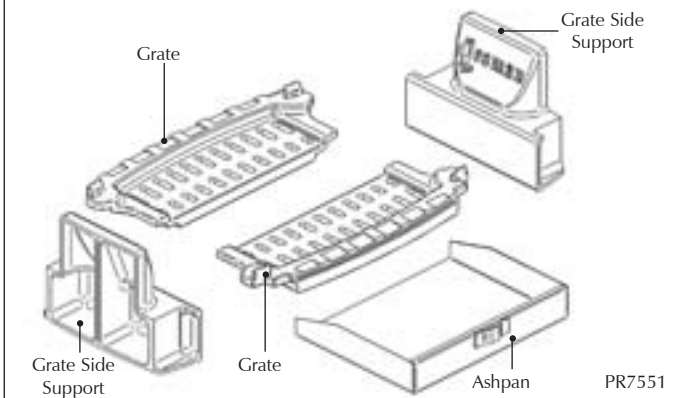


3.3 Remove the drop in front plate

INSTALLATION INSTRUCTIONS



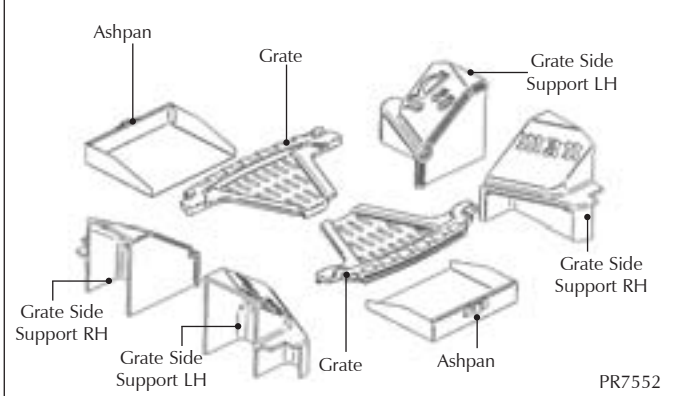
Exe Double/Devon Single Double/County Single Double



NOTE: The Reducer kit MUST be used at all times

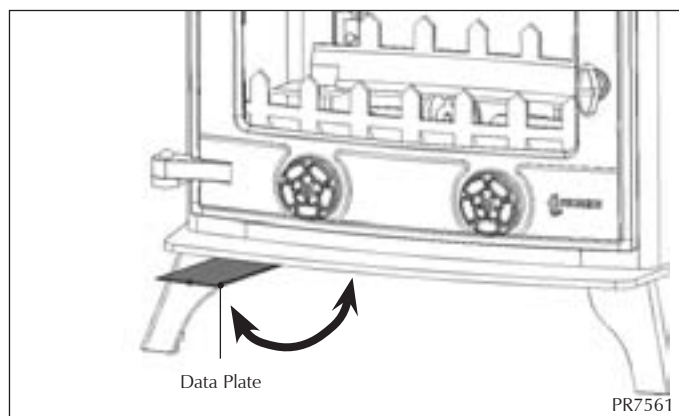
- 3.4 Position the grate side supports on the base of the stove, against the sides of the firebox.
- 3.5 Place the main grate(s) into place on the flat ledges of the grate side supports. Ensure the grate sits flat on its supports.
- 3.6 Refit the log guard.
- 3.7 Place the ashpan under the grate.
NOTE: Double Depth versions will have two ashpans.
- 3.8 Check that the door closes and seals correctly.

Devon Double Double (2-part side supports)



COMMISSIONING

- 1.1 Confirm all internal parts are correctly fitted.
- 1.2 Check the door catch operation, adjust if required as detailed on page 12 of the User Instructions.
- 1.3 Inspect the door seals for damage and check the operation of the air controls.
- 1.4 Carry out a final smoke draw test, by first warming the flue with a blowlamp, or similar, for about 10 minutes. Then place a smoke pellet on the centre of the grate, with the air controls open, and close the door. Smoke should now be drawn up the flue and be seen to exit from the flue terminal. This test should be completed with all doors and windows in the room where the stove is fitted closed. Should this test fail the suitability of the flue system and ventilation should be re-checked.
- 1.5 An inadequate air supply to the room in which the stove is installed could lead to the escape of flue gases which is potentially very dangerous.
- 1.6 Light the appliance and gently allow the temperature to increase slowly to operating levels. Check that no combustion products are entering the room. When the Stove has reached a steady operating condition open the main fire door and carry out a spillage test with a smoke match or pellet around the door opening.
- 1.7 If excessive spillage does occur allow the appliance to cool and re-check the suitability of the flue system and ventilation.
- 1.8 **Explain the safe operation of the stove and the use of the controls to the user, along with the need to only use suitable fuels. Also explain the cleaning and routine maintenance requirements.**
- 1.9 **Explain the requirements to use a suitable fireguard when children, elderly or infirm persons may be near the appliance.**
- 1.10 **Record dealer/supplier details and installer details in user instructions.**



- 1.11 **Record serial number in user instructions.** This can be found on the data plate located on the underside of the stove. This number will be required when ordering spare parts and making warranty claims.
- 1.12 **Give the copy of the user instructions to the customer.**

NOTES

NOTES



A division of Stovax Ltd

Falcon Road, Sowton Industrial Estate, Exeter, Devon, England EX2 7LF

Tel: (01392) 474500 Fax: (01392) 219932

E-mail: yeoman@stovax.com www.yeoman-stoves.co.uk