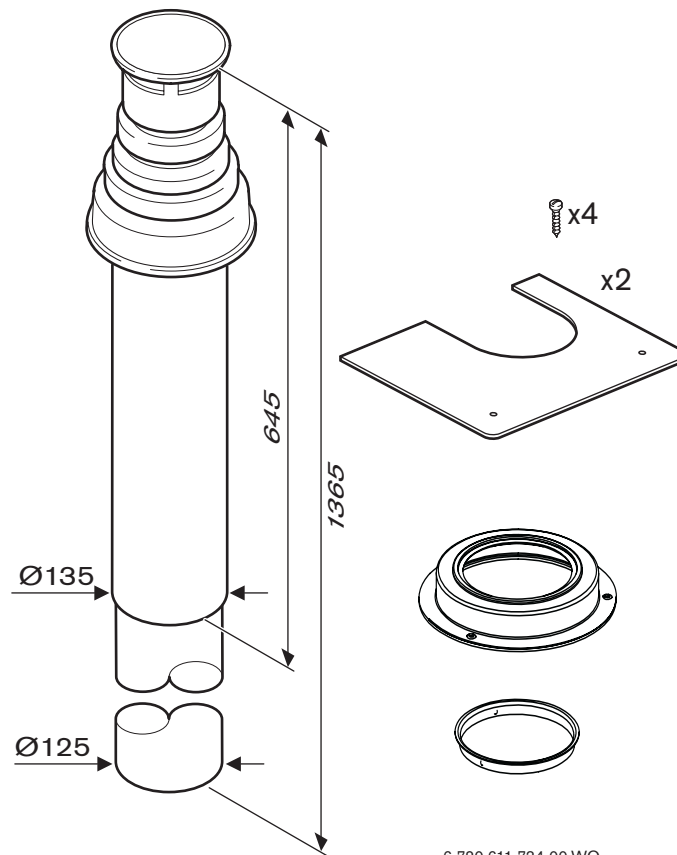




Vertical Flue Terminal Assembly Ø 80/125 mm

7 719 002 437



6 720 611 734-00.WO

**for Gas Condensing Boilers:
Greenstar Highflow 440**

Contents

| | |
|--|----------|
| Safety instructions | 3 |
| Symbols | 3 |
| 1 Use | 4 |
| 1.1 General | 4 |
| 1.2 Gas condensing boilers | 4 |
| 1.3 Combination with flue duct kits | 4 |
| 1.4 Standard specifications | 4 |
| 2 Fitting space requirements | 5 |
| 3 Examples of installation of vertical flue duct with roof exit | 6 |
| 3.1 Straight flue ducting without elbows | 6 |
| 3.2 Straight flue ducting with two 45° elbows | 6 |
| 3.3 Straight flue ducting with two 90° elbows | 7 |
| 3.4 Flue ducting with more than two elbows | 8 |
| 4 Mounting | 9 |
| 4.1 Notes on fitting | 9 |
| 4.2 Roof-exit clearances | 9 |
| 4.3 Fitting the flue ducting | 10 |

Safety instructions

Proper functioning of this product is only guaranteed if these installation instructions are correctly followed. Subject to alteration. Installation must be carried out by an approved installer. Installation of the boiler must be carried out in accordance with the appropriate installation instructions.

If you smell fumes from the appliance

- ▶ Switch off appliance.
- ▶ Open windows and doors.
- ▶ Inform your heating engineer.

Fitting and modifications

- ▶ Fitting of the appliance or any controls to the appliance may only be carried out by a competent engineer in accordance with the Gas Safety (Installation and Use) Regulations 1998.
- ▶ Flue systems must not be modified in any way other than as described in the fitting instructions.

Symbols



Notes are identified by the symbol shown on the left. They are bordered by horizontal lines above and below the text.

1 Use

1.1 General

The installation of a gas condensing boiler must be in accordance with the relevant British Standard, the relevant Building Regulations and any local rules.

The surface temperature of the fresh air duct is below 85°C. Therefore no minimum distances to combustible building materials are necessary. The regulations can deviate, however, and might prescribe minimum distances to combustible materials.

Flue ducting to C₃₃:

The flue gas accessory is part of CE approval when discharging flue gas according to C₃₃. For this reason, only the original flue gas accessories may be used.

All illustration dimensions are shown in mm unless stated otherwise.

1.2 Gas condensing boilers

This flue can be used in conjunction with the following gas condensing boilers:

| Gas condensing boilers | Prod.-ID-No. |
|------------------------|--------------|
| Greenstar Highflow 440 | CE |

Table 1

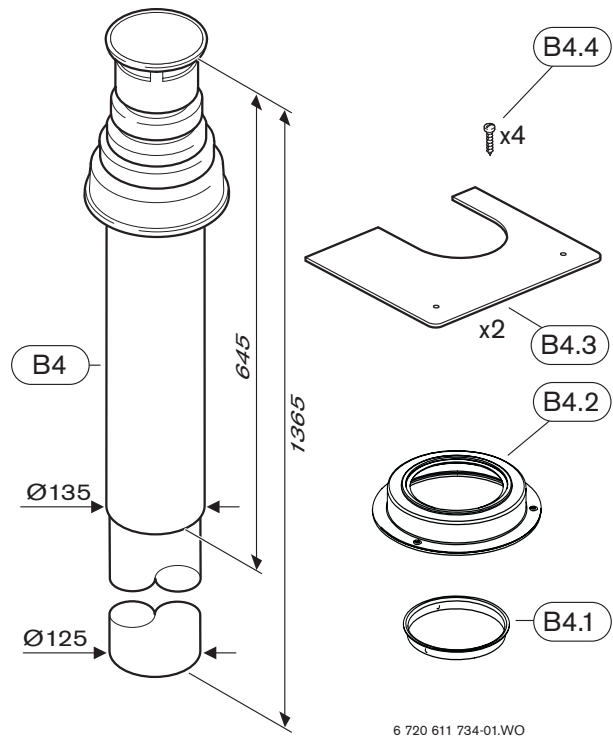
1.3 Combination with flue duct kits

This flue can be combined with the following flue duct kits:

| Flue duct kits |
|---------------------------------|
| 7 719 001 891, elbow 90° |
| 7 719 001 892, extension 990 mm |
| 7 719 001 899, elbow 45° |

Table 2

1.4 Standard specifications



6 720 611 734-01.WO

Fig. 1

- B4** Vertical Flue Terminal Assembly
- B4.1** Lockring
- B4.2** Retaining ring
- B4.3** Fire stop plate
- B4.4** Screws

2 Fitting space requirements

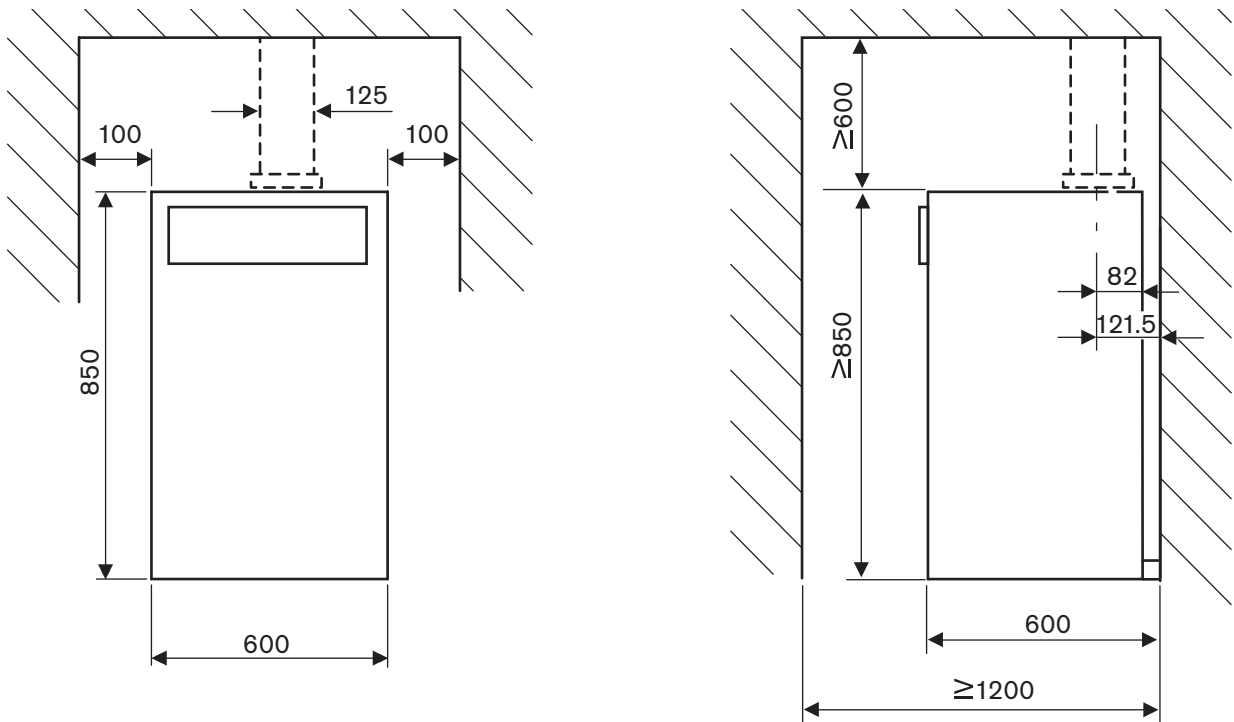


Fig. 2 Flat roof

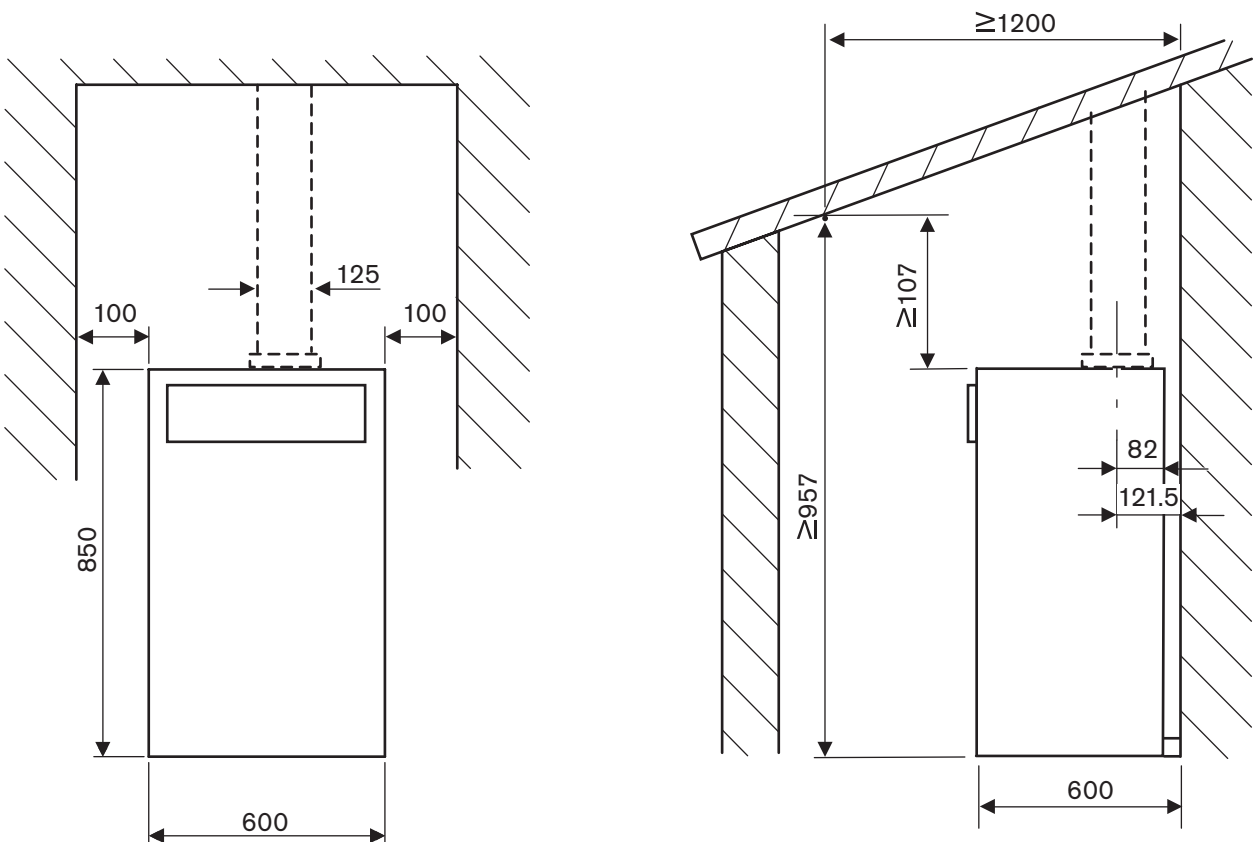


Fig. 3 Inclined roof

Refer to 'Boiler location and clearances' under the Pre-Installation section of the Instruction Manual (Installation commissioning & servicing, part number: 6 720 611 730) before commencing flue installation.

3 Examples of installation of vertical flue duct with roof exit

3.1 Straight flue ducting without elbows

| | L_{max} |
|------------------------|-----------|
| Greenstar Highflow 440 | 15 m |

Table 3

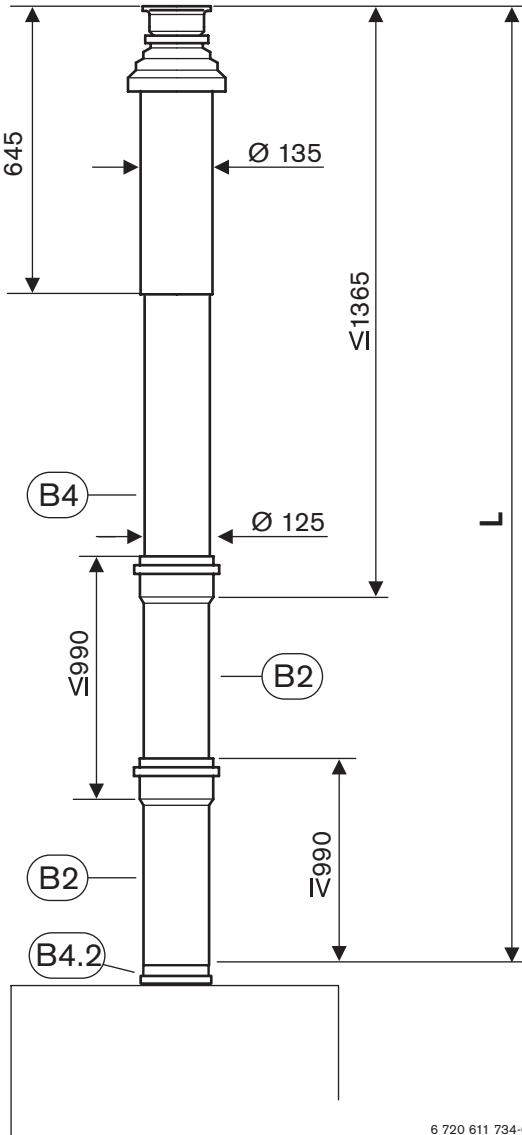


Fig. 4

Key to Fig. 4 and Fig. 5:

- B2** 7 719 001 892
- B4** 7 719 002 437

3.2 Straight flue ducting with two 45° elbows

| | L_{max} |
|------------------------|-----------|
| Greenstar Highflow 440 | 13 m |

Table 4

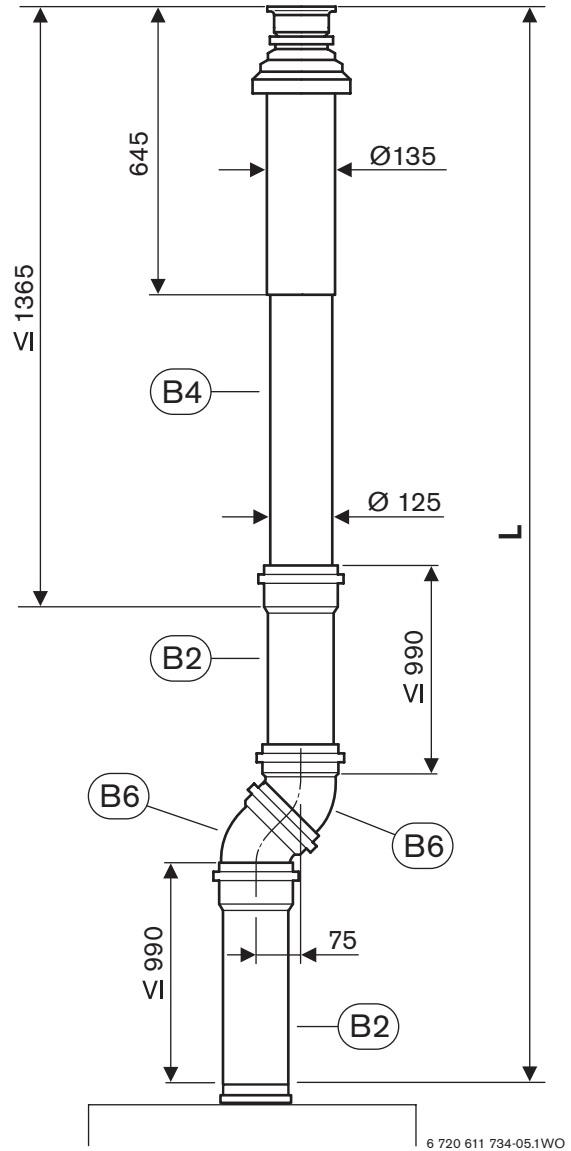


Fig. 5

- B6** 7 719 001 899

3.3 Straight flue ducting with two 90° elbows

| | L_{max} |
|-------------------------------|-----------|
| Greenstar Highflow 440 | 11 m |

Table 5

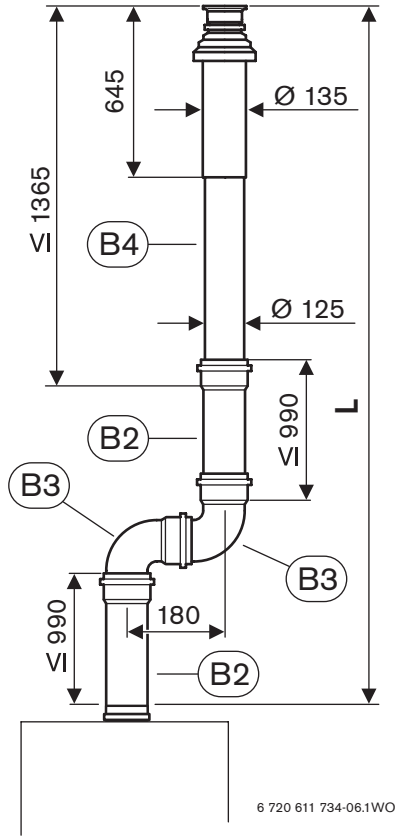


Fig. 6

Key to Fig. 6, 7 and 8:

- B2** 7 719 001 892
- B3** 7 719 001 891
- B4** 7 719 002 437

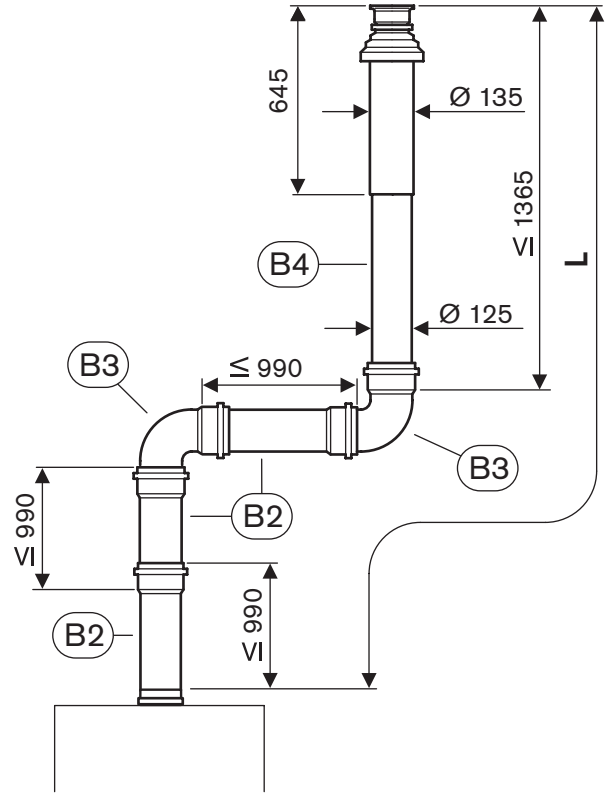


Fig. 7

6 720 611 734-07.1WO

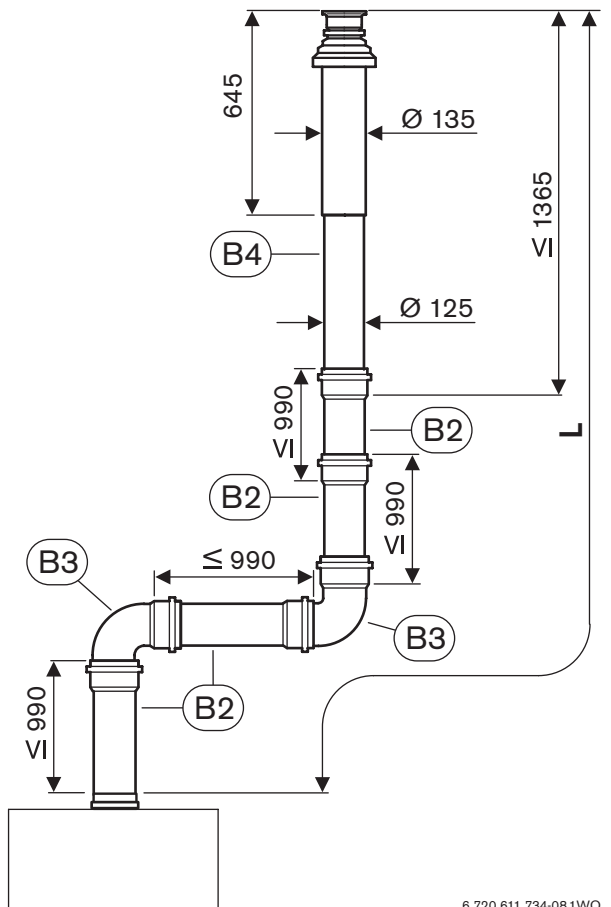


Fig. 8

6 720 611 734-08.1WO

3.4 Flue ducting with more than two elbows

The equivalent pipe length, L_{equiv} , is calculated from the sum of the straight lengths of the horizontal and vertical flue ducting (L_{horiz} , L_{vert}) and the equivalent lengths of the elbows. The equivalent length of every elbow fitted must be included.

The overall equivalent pipe length must be less than the maximum equivalent pipe length: $L_{equiv} \leq L_{equiv,max}$

For vertical flue ducting to C_{33x} the following equivalent lengths apply:

| Vertical flue ducting to C _{33x} | L _{equiv,max} [m] | Equivalent length of additional elbows | |
|---|----------------------------|--|---------|
| | | 90° [m] | 45° [m] |
| Boiler | | | |
| Greenstar Highflow 440 | 15 | 2 | 1 |

Table 6 Pipe lengths for C₃₃

L_{equiv,max} maximum equivalent overall pipe length

Example:

For a vertical flue system with a vertical length of 4 m, a horizontal length of 0.5 m, two 90° elbows and four 45° elbows, the equivalent pipe length is calculated as follows:

| | Length/Number | x | Sectional equivalent length | = | Total |
|---|---------------|---|-----------------------------|---|--------|
| Straight length L _{vert} | 4 m | x | 1 | = | 4 m |
| Straight length L _{horiz} | 0,5 m | x | 1 | = | 0,5 m |
| Elbow 90° | 2 | x | 2 m | = | 4 m |
| Elbow 45° | 4 | x | 1 m | = | 4 m |
| Equivalent pipe length L _{equiv} | | | | | 12,5 m |
| Maximum equivalent overall pipe length L _{equiv,max} | | | | | 15 m |
| L _{equiv} ≤ L _{equiv,max} | | | | | o.k. |

Table 7

At 12.5 m, the equivalent pipe length is shorter than the maximum equivalent overall length of 15 m. This flue system is therefore acceptable.

4 Mounting

4.1 Notes on fitting

- The vertical flue duct (7 719 002 437) can be extended at any point between the lockring (B4.2) and the flue terminal assembly (B4) using the flue duct kits 7 719 001 891, 7 719 001 892 or 7 719 001 899.
- For details of the maximum permissible flue pipe length, refer to the installation examples starting on page 6.
- Any horizontal air/flue ducting should be fitted with an incline of 3° (52 mm per metre) in the direction of flow of the flue gases (rising away from the boiler).
- In damp rooms, the air pipe should be insulated.

4.2 Roof-exit clearances

4.2.1 Flat roof

| | Combustible building material | Non-combustible building material |
|----------|-------------------------------|-----------------------------------|
| X | ≥ 1500 mm | ≥ 500 mm |

Table 8

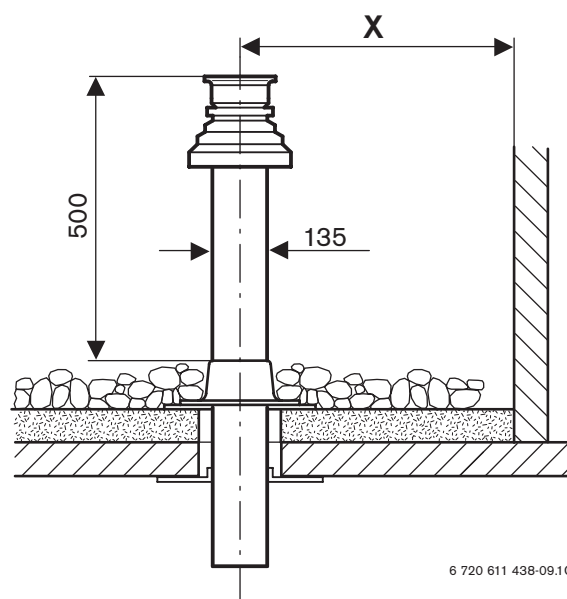


Fig. 9

4.2.2 Inclined roof

| | |
|----------|--|
| A | ≥ 400 mm, in areas with frequent heavy snow falls ≥ 500 mm |
| B | ≤ 60°, in areas with frequent heavy snow falls ≤ 50° |

Table 9

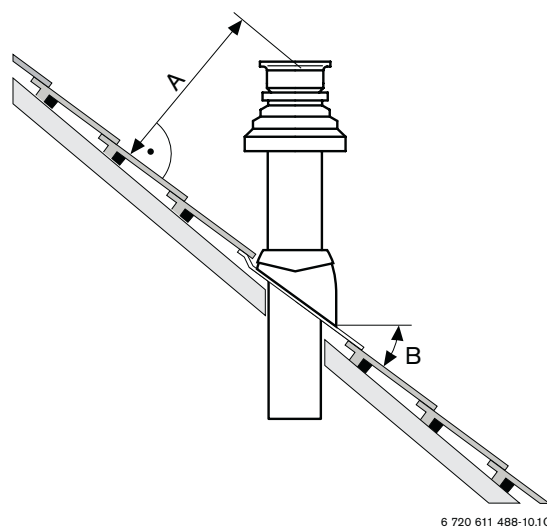


Fig. 10

4.3 Fitting the flue ducting

4.3.1 Adaptor

- ▶ Remove the boiler casing 'knock-out' panel
- ▶ Loosen the flue blanking plate screws from inside the inner boiler case and rotate the blanking plate to disengage and remove from the outside
- ▶ Refit the blanking plate over the rear flue outlet and tighten screws
- ▶ Slide the retaining ring (B4.2) and the lockring (B4.1) onto the flue
- ▶ Secure the lockring (B4.1) with 3 screws at the end of the flue pipe
- ▶ Ensure the screws are only partially screwed into the retaining ring. See Fig. 11

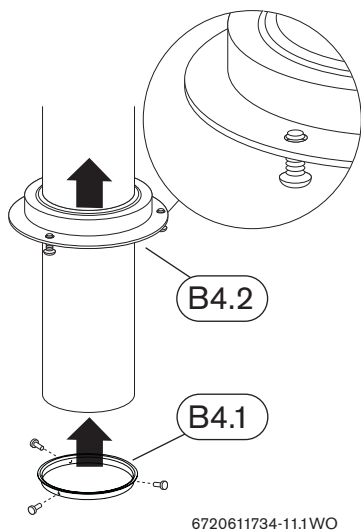


Fig. 11

- ▶ Grease the flue-pipe seals of the adaptor (B4.5) with solvent-free grease (supplied).
- ▶ Partly slide the inner flue adaptor (B4.5) into the flue. See Fig. 12

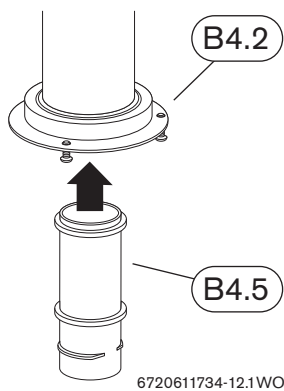


Fig. 12

- ▶ Locate the retaining ring (B4.2) screw heads into the keyhole slots, rotate and secure by tightening the screws from the inside of the boiler. See Fig. 13
- ▶ Push fit the inner flue adaptor (B4.5) into the boiler flue tube
- ▶ Connect the rest of flue ducting (7 719 002 437, 7 719 001 899, 7 719 001 891, 7 719 001 892) as required.

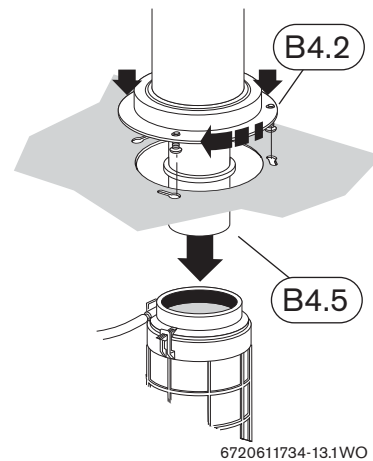


Fig. 13

4.3.2 Vertical Flue Terminal Assembly

- ▶ Determine the length L_V of the terminal.

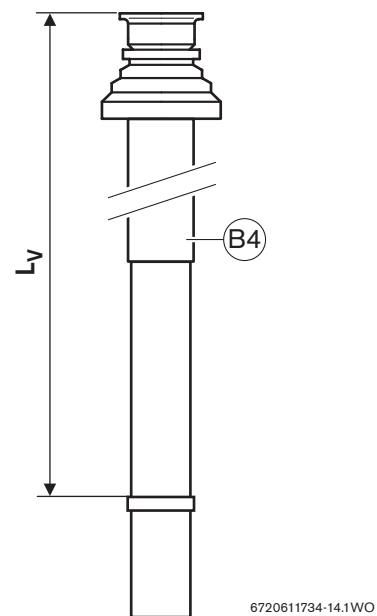
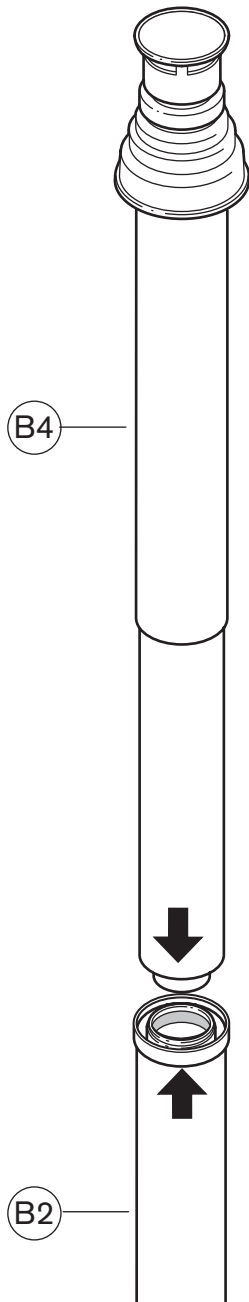


Fig. 14

B4 7 719 002 437

- ▶ Cut off the double pipe at a right angle, deburr the cut edges and clean.
- ▶ Lightly grease the flue seals with a solvent-free grease (e. g. Vaseline).

- ▶ Push and lightly twist fit the flue accessories into each other to the stop in the flue tube.



6720611734-15.1WO

Fig. 15

- B2** 7 719 001 892
- B4** 7 719 002 437



Worcester Heat Systems Ltd.
Cotswold Way
Warndon
Worcester WR4 9SW
Great Britain

www.worcester-bosch.co.uk