



Bosch Group

# **FLUELESS SILENCER KIT**

---

FOR USE ON ALL DANESMOOR AND HEATSLAVE  
OIL-FIRED PRESSURE JET APPLIANCES UP TO  
MODEL 26-32

---

## **INSTALLATION INSTRUCTIONS**

---

---

THESE INSTRUCTIONS ARE TO BE LEFT WITH THE APPLIANCE

---

## 1. Important

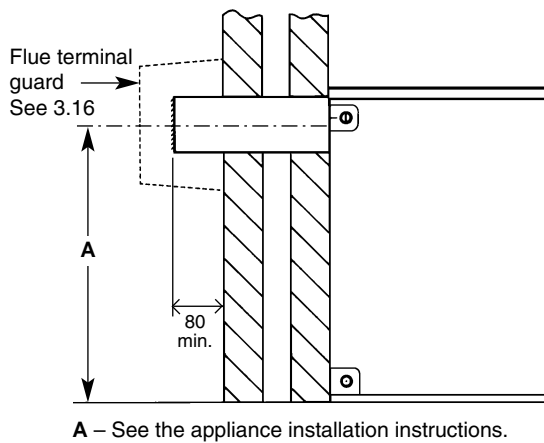
This Flue Kit is not designed for use with the Danesmoor Utility model, as there is no provision for installation of the post purge unit. However, where fume odour will not present a problem, (eg. boiler house/out house) the flue kit may be used without the post purge unit.

With this type of flue terminal arrangement it is essential that the appliance is commissioned correctly by a competent engineer. The correct combustion settings are detailed in the Technical Data section of the Installation and Servicing Instructions. Refer to these instructions for further information. Where difficulty in arranging suitable commissioning or servicing is experienced, Worcester Heat Systems will be pleased to discuss suitable arrangements.

The use of this type of flue should be avoided on exposed walls facing prevailing winds and the terminal should not be positioned within 600mm of an opening window or, for any other obstruction, within the distance shown in the appliance Installation and Servicing Instructions.

**Under no circumstances may 35 Second Gas Oil be burned with this type of flue terminal arrangement.**

**Fig. 1. Flue Installation (Rear Discharge).**

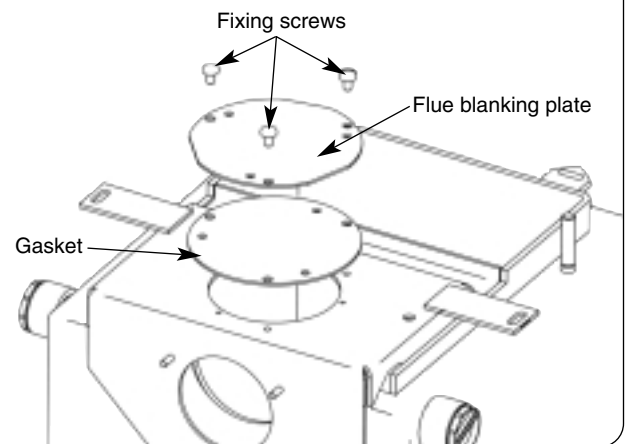


## 2. General

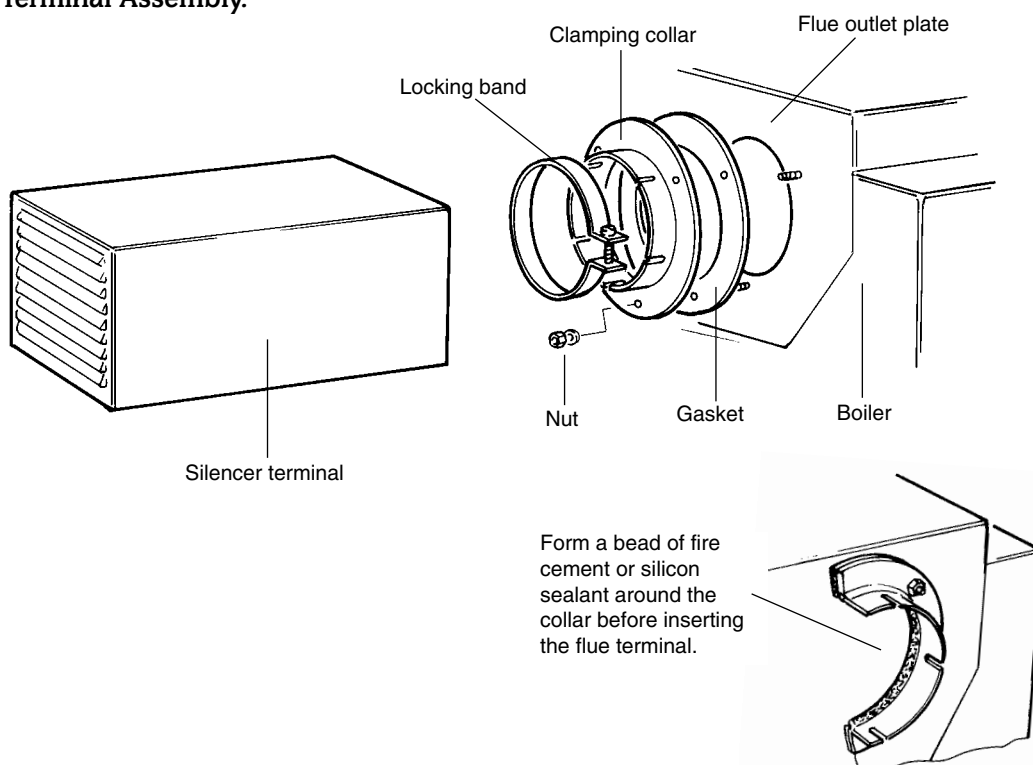
The flueless terminal has been designed to discharge the products of combustion without the need for a conventional flue arrangement. The terminal includes a sound absorbing material to remove excess noise produced during combustion. The unit will fit into any wall up to a thickness of 340mm (13.4 in) as shown in Fig. 1.

However, should the wall thickness exceed 340mm or the appliance require siting further from the wall then this may be done using a Worcester extension kit (WHS Part No: 7 716 190 012). This comprises a 1 metre aluminium tube which may be cut to the desired length using a hacksaw. The terminal should not be extended beyond 1 metre.

**Fig. 3. Flue Blanking Arrangement.**



**Fig. 2. Flue Terminal Assembly.**



### 3. Flue Terminal Installation

See Figs. 1 to 4.

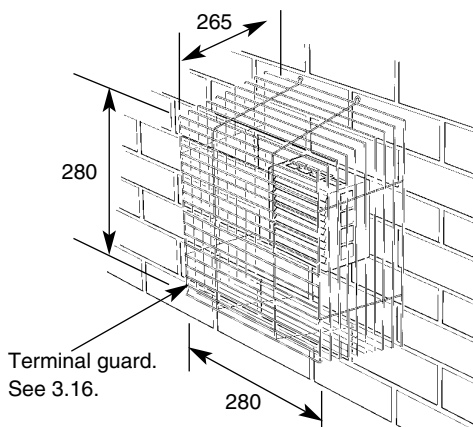
1. Measure the wall thickness. If the distance from the front wall to the face of the flue outlet plate exceeds 359mm (14.1 in) then an extension tube will be required.
2. Cut a hole in the wall approximately 150mm (6 in) square to take the terminal as shown in Fig 1.
3. Remove the flue ring from the flue outlet plate by undoing the 3 screws.
4. Undo the three nuts holding the blanking plate.
5. Remove the blanking plate and gasket.
6. Remove the central portion of the gasket by cutting the connecting pieces and discard it.
7. Position the gasket and clamping collar over the three studs as shown in Fig. 2 and secure the nuts.
8. Place the boiler in the required position.
9. If an extension tube is required, measure the length required and cut the tube to length using a hacksaw. Fit the extension tube over the silencer terminal collar and then fit the locking band over the collar and tighten until the tube is held securely.
10. Place a fillet of fire cement or silicone sealant around the appliance clamping collar as shown in Fig 2.
11. Insert the terminal tube into the clamping collar and support the terminal in position in the wall.
12. Tighten the locking band screw until the terminal is held securely.
13. Bed the fillet of fire cement/silicone sealant into position and remove any excess. Access can be gained via the vertical flue outlet hole.
14. Cement the terminal in position and make good the surrounding masonry.
15. Blank the top hole using the blanking disc as shown in

Fig. 3.

16. Where the terminal is fitted less than two metres above a surface to which people have access, fit a terminal guard as shown in Fig. 1 and 4.

A suitable guard is available from Worcester Heat Systems, Part No: 7 716 190 009, or alternatively a proprietary terminal guard may be used provided it has the minimum dimensions shown in Fig. 4. The guard should have suitable corrosion resistance due to the acidic content of the flue gases.

**Fig. 4. Terminal Guard Minimum Dimensions.**



### 4. Post Purge Control Unit Installation

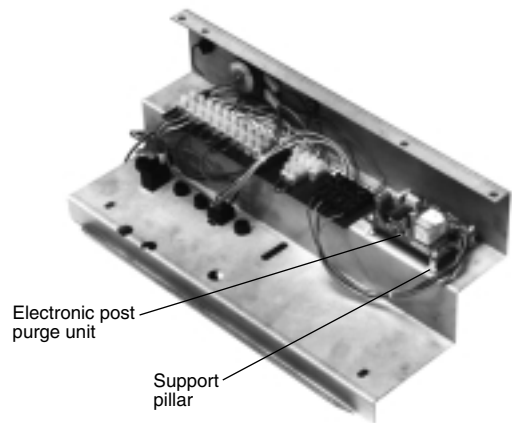
See Section 1 and Fig. 5.

The post purge unit is an electronic device used to keep the fan running for a period of approximately 50 seconds after the burner is switched off. This purges the combustion chamber of any fumes.

1. Ensure the electrical supply is disconnected.
2. Remove the electrical top cover.
3. Refer to the wiring diagram in the appliance installation instructions and remove the 2-pin black link plug from the post purge connector.
4. Insert the four support pillars into the four holes in the right-hand side of the electrical panel and press fit the electronic post purge unit as shown in Fig. 5.
5. Fit the 5-pin post purge unit plug into the connector socket described in step 3.
6. Replace the electrical top cover.

**NOTE:** When the electrical supply is switched on, the post purge unit will cause the fan to run for approximately 50 seconds.

**Fig. 5. Post Purge Control Unit.**

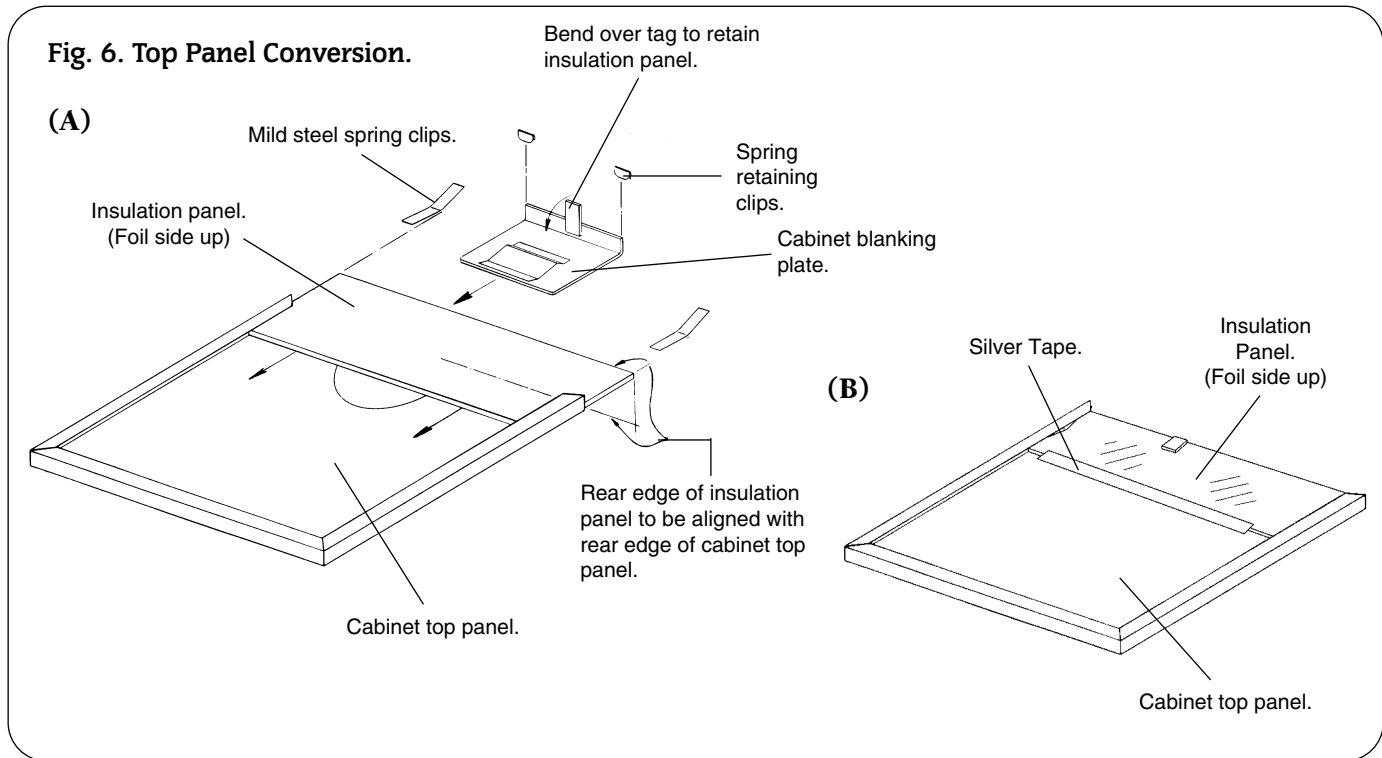


## 5. Top Panel Modification

See Fig. 6.

1. Fit the insulation panel into the cabinet top panel as shown in Fig 6. The insulation supplied is of the correct size for the 26-32 appliance. This will have to be cut to the correct width for narrower appliances.
2. Slide the insulation panel foil side up in from the back of the cabinet top panel until the rear edges are aligned.
3. Slide the spring steel clips between the insulation panel and the cabinet top panel flanges so that the insulation is pushed against the underside of the top panel.

4. Slide the blanking plate into the top panel, so that the blanking plate spring grips the underside of the top panel, and push fully forwards.
5. Push the two spring retaining clips over the rear lip of both the blanking plate and top panel to secure the plate in position.
6. Bend the blanking plate tag over the insulation panel to secure in position.
7. Using the silver tape supplied in the kit seal the edge of the insulation to the panel along the front edge as shown in the diagram (B).



Worcester Heat Systems Limited (Bosch Group), Cotswold Way, Warndon, Worcester WR4 9SW.  
Telephone: (01905) 754624. Fax: (01905) 754619.  
Technical Helpline (08705) 266241.  
[www.worcester-bosch.co.uk](http://www.worcester-bosch.co.uk)

This booklet is accurate at the date of printing but will be superseded and should be disregarded if specifications and/or appearances are changed in the interests of continued improvement.

All goods sold are subject to our official Conditions of Sale, a copy of which may be obtained on application.

8 716 104 860h 04/03