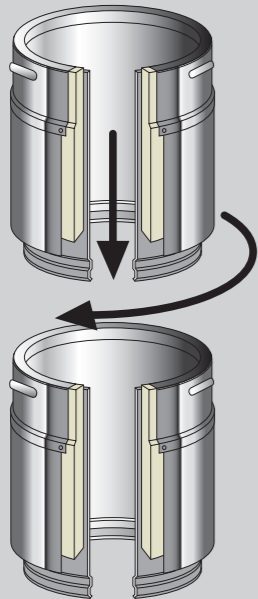


## PRODUCT DESCRIPTION

Available in diameters 125mm and 150mm, **Eco ICID** is a twin wall insulated chimney system specifically designed for use on stoves with continuous operating temperatures up to 450°C. The system is designed so that the outer case is load bearing and the inner liner is free to expand independently to accommodate temperature change. **Eco ICID** is soot fire resistant.



- Twist-lock bayonet jointing system. Secured by locking band.
- Advanced corrosion resistant design and construction uses laser welded 316L stainless steel inner liner and stainless steel case.
- The 25mm of high density rockwool insulation maintains flue gas temperature, maximising efficiency, improving flue draught on start up and minimising condensation.
- Low external case temperature.
- The inner liner is free to expand through the female collar, allowing for maximum thermal expansion even during a soot fire
- The inner liner has an inward bead at the female end which acts as a capillary break preventing moisture being drawn through the joint.

## APPROVALS

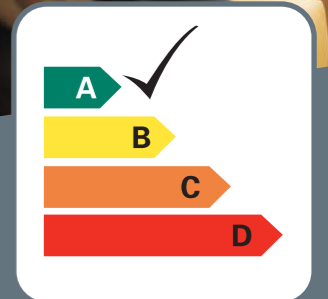
ICID is CE Certified to BS EN1856-1 TÜV 0036 CPD 9195001 with designations:



High Temperature Applications	
T450 NI WV2 L50050 G60 T450 NI DV3 L50050 G60 60mm Distance to combustibles in a combustible shaft*	T450 NI WV2 L50050 G50 T450 NI DV3 L50050 G50 50mm Distance to combustibles in a non combustible shaft or in free air*

- Manufactured under a Quality Management Scheme approved to BS EN ISO 9001: 2008
- 4 Hour Fire Rating to BS476 Part 20
- Certified for corrosion resistance on gas, oil and solid fuel by MPA and TÜV
- HETAS listed for use on solid fuel applications.

**Schiedel Chimney Systems**  
Crowther Estate  
Washington  
Tyne & Wear NE38 0AQ  
Tel. +44 (0)191 416 1150  
Fax. +44 (0)191 415 1263  
info@schiedel.co.uk  
[www.schiedel.co.uk/rite-vent](http://www.schiedel.co.uk/rite-vent)



## THE NEW Eco ICID TWIN WALL FLUE FOR STOVES

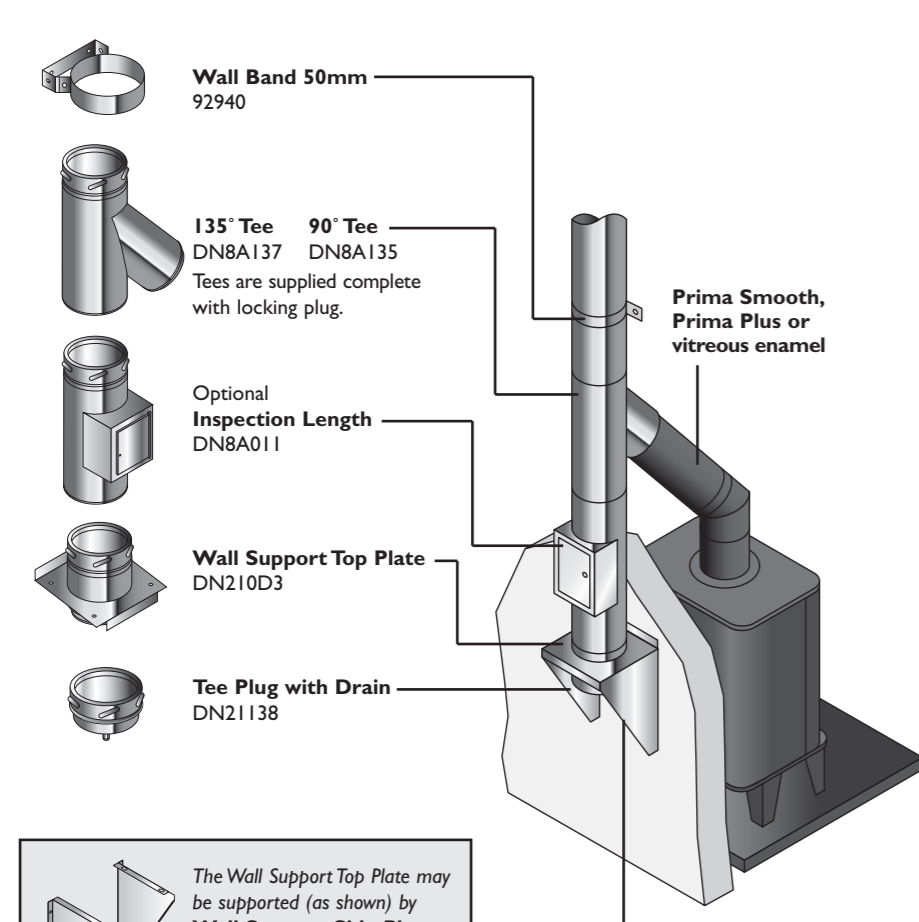
The NEW highly insulated twin wall flue for stoves

- Easy Twist Lock Connection
- Effective Insulation
- Competitive Price

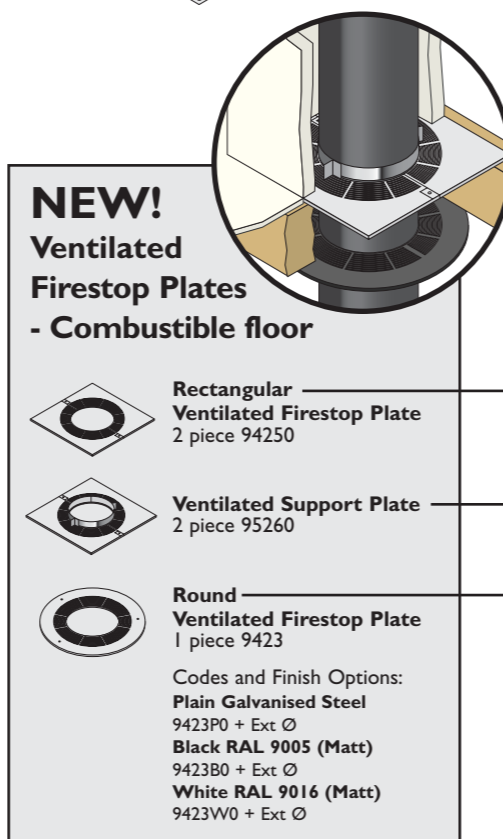
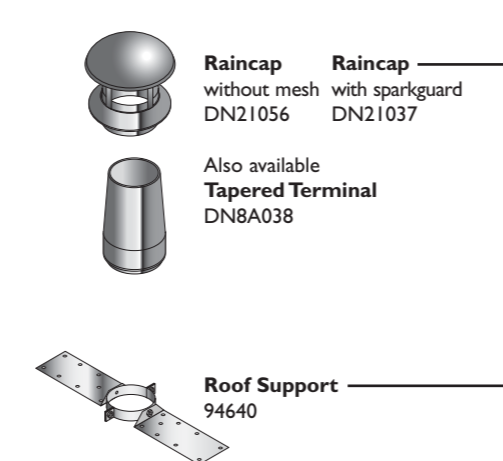
Eco ICID Issue 2, July 2011

# The NEW Eco ICID Twin Wall Flue designed specifically for stoves.

- Easy Twist Lock Connection
- Effective Insulation
- Competitive Price
- Available in 125mm & 150mm internal diameters (180mm & 200mm external diameter)



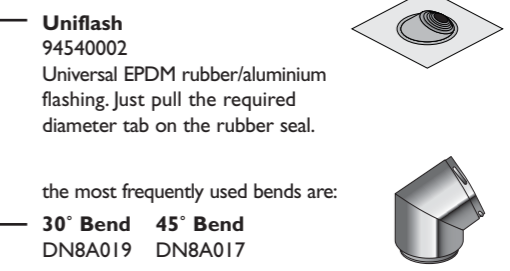
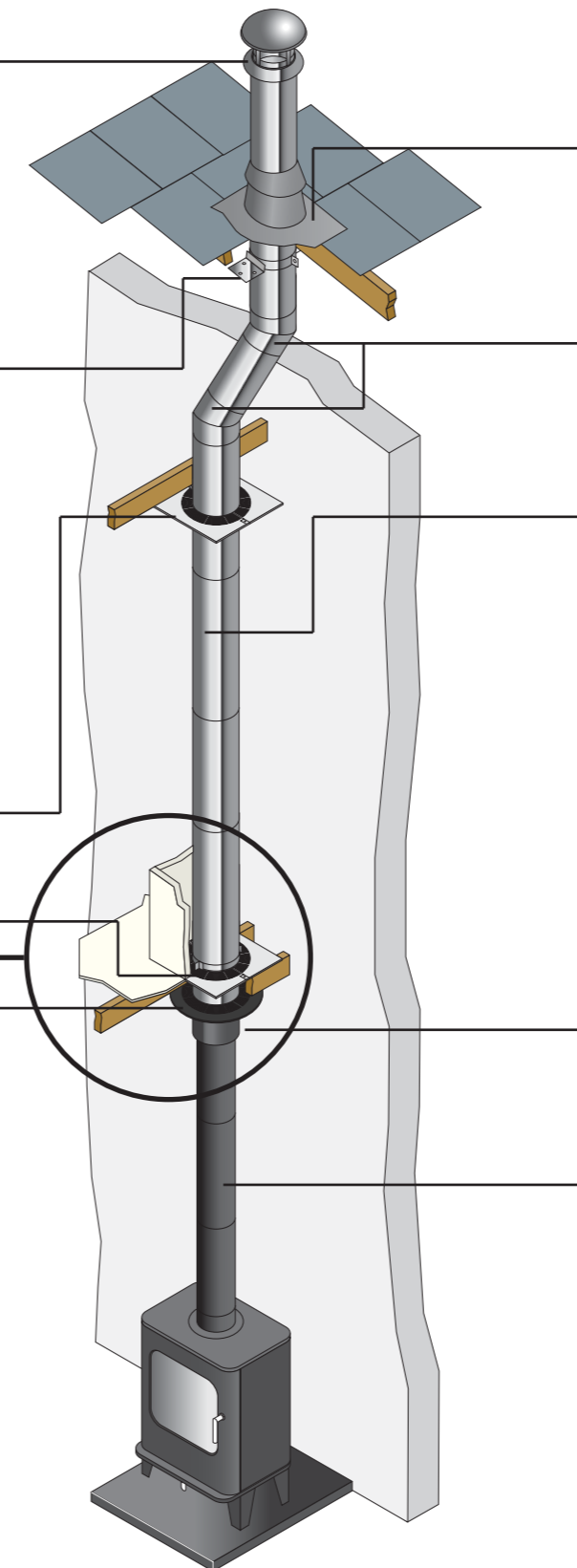
**External chimney**



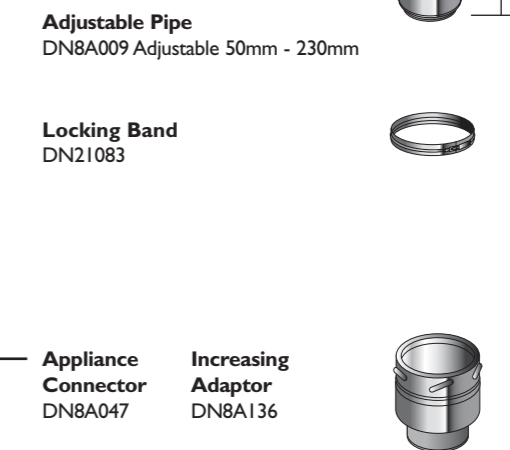
**Distance between ICID and combustible material**  
In accordance with building regulations it is essential that the correct distance to combustible material is maintained.

The distance is dependent upon the fuel used by the appliance and if the flue is in a combustible or non-combustible shaft. The approved minimum distances for ICID are as follows:

Fuel	Shaft & floor made from combustible materials	Shaft & floor made from non-combustible materials
Wood/Solid Fuel	60mm	50mm
Oil & Gas	50mm	50mm



Pipe	L1	L2
DN8A128	1500mm	1460mm
DN8A001	1000mm	960mm
DN8A002	500mm	460mm
DN8A003	300mm	293mm
DN8A004	200mm	160mm



**Prima Smooth, Prima Plus or vitreous enamel**

**Chimney within the house**

