

# K i n d e r

---

FIRES FOR LIFE

# Oasis RC

## COAL EFFECT GAS FIRE

### Installation and Maintenance Instructions

Hand these instructions to the user

Model No's KICC\*\*RN is only for use on Natural Gas (G20) at a supply pressure of 20 mbar in G.B. / I.E.

\*\* denotes trim / fret variant

# CONTENTS

<b>Section 1</b>	<b>Information and Requirements</b>	<b>PAGE</b>
1.0	Appliance Information	3
1.1	Manual Handling Advice	4
1.2	Conditions of Installation	5
1.3	Flue and chimney suitability	5
1.4	Fireplace / surround suitability	6
1.5	Shelf position	6
1.6	Chimney inspection	7
1.7	Fire place opening / catchment space	8
1.8	Fitting to Metal Flue Boxes	10
1.9	Hearths	10
1.10	Spillage Monitoring System	10
1.11	Clearances to Combustible & Non-Combustible Surfaces	10
 <b>Section 2 Installation of Fire</b>		
2.1	Unpacking the fire	11
2.2	Installing the fire box	11-16
2.3	Gas tightness and burner pressure	17
 <b>Section 3 Assembling Fuel Bed and Commissioning</b>		
3.1	Assembling the ceramics and fuel bed	18-22
3.2	Connection of the lithium battery pack	23
3.3	Fixing the Infrared Eye in Position	24
3.4	Lighting the appliance	25
3.5	Checking for clearance of combustion products	26
 <b>Section 4 Maintenance</b>		
4.1	Removal of the Burner Assembly (Manual)	27
4.2	Removal of the Valve	28
4.3	Removal of the Pilot assembly	28
4.4	Removal of the batteries	28

The model no. of this appliance is as stated on the rating plate.

This product has been manufactured by :

BFM Europe Ltd,  
Trentham Lakes,  
Stoke-on-Trent,  
ST4 4TJ

## SECTION 1 INFORMATION AND REQUIREMENTS

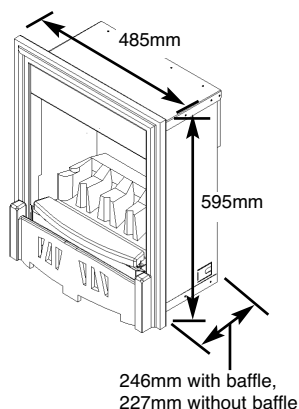
### 1.0 APPLIANCE INFORMATION

Model	KICC00RN or KICCZZRN
Gas Type	G20
Main injectors (2 off)	Size 260
Pilot Type	Copreci 21100 / 162
Max. Gross Heat Input :	6.9 kW
Min. Gross Heat Input :	4.2 kW
Cold Pressure :	20.0 +/-1.0 mbar
Ignition :	6V Battery Generator
Electrode Spark Gap :	4.5 Nominal
Weight :	20 kg
Minimum Combustible Shelf Height above fire	200mm (from top of fire)

#### Fire box Dimensions (with trim fitted see fig. 1 below)

Width :	(with standard trim)	485mm
Height :	(with standard trim, no spacer)	595mm
Depth :	(Into room)	75mm
Depth :	(from mounting face to rear)	246mm (with baffle)
Depth :	(from mounting face to rear)	227mm (without baffle)
Gas Connection	8mm Compression	(Supplied with fire)

**Fig. 1**



#### Efficiency Declaration

The efficiency of this appliance has been measured as specified in BS 7977-1 : 2002 and the result is 58%.

The gross calorific value of the fuel has been used for this efficiency calculation. The test data from which it has been calculated has been certified by Advantica.

The efficiency value may be used in the UK Governments Standard Assessment Procedure (SAP) for energy rating of dwellings.

## **1.1 MANUAL HANDLING ADVICE**

The following advice is offered when moving, manipulating and installing this product :-

**Always keep your back straight - bend using your legs**

**Avoid twisting at your waist - reposition your feet instead**

**Avoid upper body and top heavy bending - do not lean forwards or sideways**

**Always grip the product with the palms of your hand - not the tips of your fingers**

**Use the hand holes in the packaging that are provided**

**When lifting the product keep the load as close to your body as possible (minimise the cantilever action and use your clothing to provide additional grip)**

**Always use assistance if required**

**IF IN DOUBT REGARDING ANY MANUAL HANDLING OF THIS PRODUCT - ASK !**

# INSTALLATION REQUIREMENTS

## 1.2 CONDITIONS OF INSTALLATION

### In Great Britain :-

It is the law that all gas appliances are installed only by a CORGI Registered Installer in G.B. in accordance with these installation instructions and the Gas Safety (Installation and Use) Regulations (current edition). Failure to install appliances correctly could lead to prosecution. It is in your own interest and that of safety to comply with the law. The installation must also be in accordance with all relevant parts of the Local and National Building Regulations where appropriate, the Building Regulations (Scotland Consolidation) issued by the Scottish Development Department, and all applicable requirements of the following British Standard Code of Practice.

1. B.S. 5871 Part 3 Installation of Decorative Fuel Effect Gas Fires
2. B.S. 6891 Installation of Gas Pipework
3. B.S. 5440 Parts 1 & 2 Installation of Flues and Ventilation
4. B.S. 1251 Open fire place components
5. B.S. 715 Metal flue pipes for gas appliances
6. B.S. 6461 Part 1 Installation of Chimneys and flues
7. I.S. 813 : 1996 Domestic Gas Installation (Republic of Ireland)

### In Republic of Ireland :-

**No purpose made additional ventilation is normally required for this appliance, when installed in G.B. When Installing in I.E. please consult document I.S. 813 : 1996 Domestic Gas Installation, which is issued by the National Standards Authority of Ireland. If installing in Northern Ireland, please consult local building regulations. Any purpose made ventilation must be checked periodically to ensure that it is free from obstruction.**

## 1.3 FLUE AND CHIMNEY SUITABILITY

This appliance is designed for use with conventional brick built or lined chimneys and fabricated flues and metal flue boxes conforming to BS 715. All flues must conform to the following minimum dimensions.

225mm x 225mm brick built chimneys (9 inch x 9 inch)

175mm (7 inch) diameter lined brick or stone flue, or insulated, pre fabricated metal flue box to B.S. 715

125mm (5 inch) diameter lined brick or stone flue, or insulated, pre fabricated metal flue box to B.S. 715

Before fitting to any flue of less than 175mm diameter or equivalent cross-sectional area, the spigot restrictor baffle on the rear of the fire must be removed

Safe clearance of products must always be checked by carrying out a smoke match test as described. (see fig. 22 on page 26)

#### 1.4 FIREPLACE / SURROUND SUITABILITY

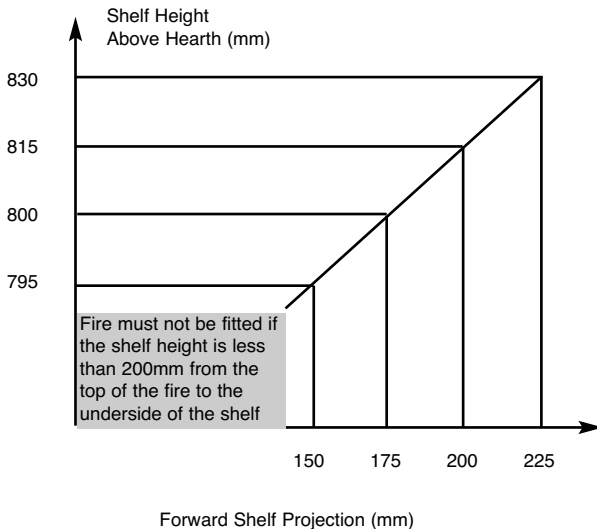
The fire must only be installed on a hearth it **must not be installed directly onto carpet or other combustible floor materials**. The fire is suitable for fitting to non-combustible fire place surrounds and proprietary fire place surrounds with a temperature rating of at least 150<sup>0</sup>c.

**If a heating appliance is fitted directly against a wall without the use of a fire surround or fire place all combustible material must be removed from behind the trim. Soft wall coverings such as blown vinyl, wall paper etc. could be affected by the rising hot air and scorching and/or discoloration may result. Due consideration should be made to this when installing or decorating.**

#### 1.5 SHELF POSITION

The fire may be fitted below a combustible shelf providing there is a minimum distance of 200mm above the top of the fire and the shelf does not project more than 150mm. If the shelf overhangs more than 150mm the distance between the fire and the shelf must be increased by 15mm for every 25mm of additional overhang over 150mm. See shelf graph (fig. 2 below)

Fig. 2



## 1.6 FLUE / CHIMNEY INSPECTION

Before commencing installation, a flue or chimney should be inspected to ensure that all the following conditions are satisfied.

1. Check that the chimney / flue only serves one fire place and is clear of any obstruction. Any dampers or register plates must be removed or locked in the open position.
2. Brick/stone built chimneys or any chimney or flue which has been used for an appliance burning fuel other than gas must be thoroughly swept. The base of the chimney / flue must also be thoroughly cleared of debris etc.
3. Any under-floor air supply to the fire place must be completely sealed off.
4. Ensure that the inside of the chimney / flue is in good condition along its length and check that there is no leakage of smoke through the structure of the chimney during and after the smoke pellet test. **With pre-cast flues it is especially important to check the inside of the flue for extruded cement / sealant protruding from the joints between the flue blocks. If present, these should be removed by rodding the flue before proceeding with the installation.**
5. **Using a smoke pellet, check that there is an up-draught in the chimney / flue and that the smoke can be seen issuing from the terminal / chimney pot outside. There must be no leakage of smoke through the structure of the chimney during or after the smoke pellet test and it is important to check inside upstairs rooms adjacent to the chimney / flue.** Check the chimney pot / terminal and general condition of the brickwork or masonry. If the chimney or flue is in poor condition or if there is no up-draught do not proceed with the installation. If there is a history of down-draught conditions with the chimney / flue, a tested and certificated flue terminal or cowl suitable for the relevant flue type should be considered.
6. **A spillage test must always be carried out during commissioning of the appliance. (see fig. 21 on page 25)**

**BEFORE FITTING THIS APPLIANCE TO A CLASS 2 (125mm DIAMETER) FLUE, THE SPIGOT RESTRICTOR BAFFLE MUST BE REMOVED.**

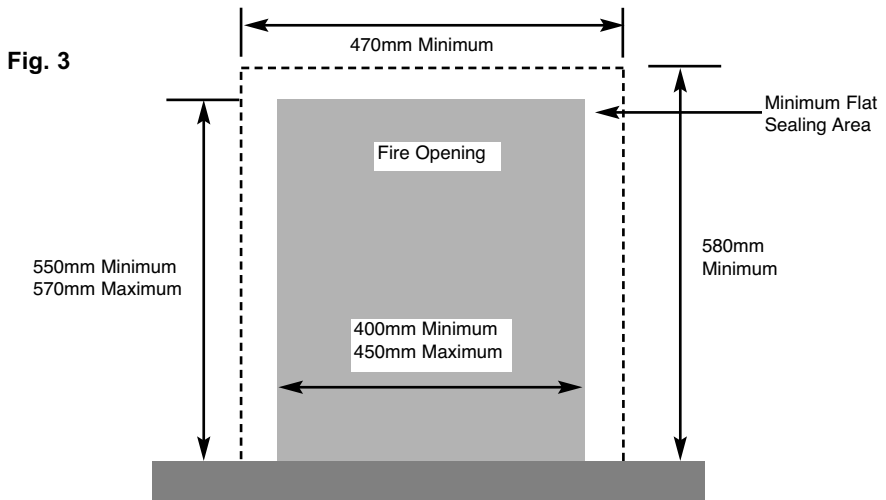
## 1.7 FIRE PLACE OPENING AND CHIMNEY CATCHMENT SPACE

The front opening of the fire place must be between 400 and 450 mm wide, and between 550 and 570mm high.

**Any chairbrick that is in place must be removed before proceeding with the installation of this appliance.**

If the opening exceeds these dimensions then a surround must be constructed from suitable non-combustible material to produce a correct size opening.

Any surround must be suitably sealed to the fire place to prevent leakage. See below in fig. 3



When installing into a brick built chimney, you must ensure that there is sufficient depth to accommodate any debris which may fall from the chimney. This depth must be sufficient to accommodate 12 litres of volumetric space.

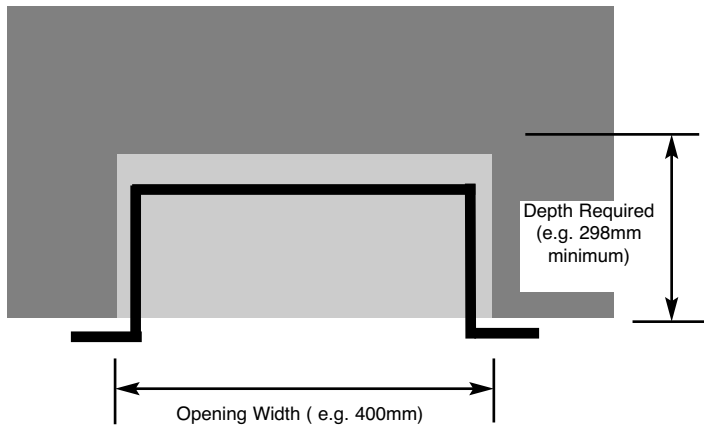


**Table A - Installation Depth Requirements for a Kinder Oasis being installed into a brick built chimney, requiring 12.0 litres of debris collection volume (fig. 2)**

Opening Width (mm)	Minimum Depth Required (mm)
400 (minimum opening width)	298
410	292
420	285
430	280
440	273
450 (maximum opening width)	269

For example, if the appliance was to be fitted into a 400mm wide opening, the depth required would be 298mm. See fig. 4 below for explanatory diagram.

**Fig. 4**



## 1.8 FITTING TO PRE-FABRICATED TWIN WALL METAL FLUE BOXES

The appliance may be fitted to twin wall metal flue boxes conforming to the constructional requirements of BS 715, (for example the Selkirk LFE 175 box). The box must have a minimum flue diameter of 175mm internal and minimum internal dimensions of 300mm deep by 580mm high by 400mm wide. There are no maximum dimensional requirements for the box. The top face of the box must be insulated with a minimum thickness of 50mm of non-combustible mineral wool insulation or similar material. The flue box must stand on a non-combustible base of minimum thickness 12mm.

## 1.9 HEARTHES

This appliance must only be installed on to a concrete or non-combustible hearth. The hearth material must be a minimum thickness of 13mm with the top surface at least 50mm above the floor. The hearth must be fitted symmetrically about the fire opening and have a minimum width of 760mm and a minimum projection of 300mm forwards from the fire opening. If the appliance is fitted with an optional black 50mm spacer frame, then the hearth projection must be increased to 350mm forwards of the fireplace opening.

## 1.10 SPILLAGE MONITORING SYSTEM

This appliance is fitted with an atmosphere sensing spillage monitoring system in the form of an oxygen sensing pilot. This is designed to shut the fire off in the event of a partial or complete blockage of the flue causing a build up of combustion products in the room in which the fire is operated. **The following are important warnings relating to this spillage monitoring system :-**

- 1) The spillage monitoring system must not be adjusted by the installer.
- 2) The spillage monitoring system must not be put out of operation.
- 3) When the spillage monitoring system is exchanged only a complete original manufacturers part may be fitted. It is not possible to replace individual parts on the pilot system on this appliance, only a complete pilot assembly (including the thermocouple) may be fitted.

## 1.11 CLEARANCES TO COMBUSTIBLE & NON-COMBUSTIBLE SURFACES

This appliance may be installed into a combustible fire surround, providing that the following clearances are available :-

Combustible Side Clearance	175mm minimum
Clearance to Combustible Shelf	200mm minimum, see shelf graph on page 5 for further information.
Non-Combustible Side Clearance	30mm minimum
Clearance to Combustible Shelf	200mm minimum, see shelf graph on page 5 for further information.

## SECTION 2 INSTALLATION OF FIRE

### 2.1 UNPACKING THE FIRE

Carefully lift the fire out of the carton. Remove the loose item packaging carefully from the front of the appliance. Check the contents as listed :-

#### Packing Check List

- 1off Fire box / burner assembly
- 1off Boxed ceramic base, front ceramic rail and 20 coals (18 large, 2 small)
- 1off Loose items bag.
- 1off each User instruction book and Installation book

### 2.2 INSTALLING THE FIRE BOX

Establish which type of flue you are intending to install the fire in to :-

**225 x 225mm (9 inch x 9 inch) brick built chimneys**

**175mm (7 inch) diameter lined brick or stone flue, insulated pre-fabricated metal flue box to B.S. 715.**

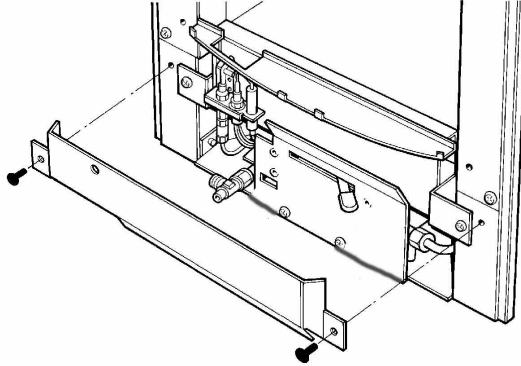
**When installing into 125mm (5 inch) diameter lined brick or stone flue, or insulated pre-fabricated metal flue box to B.S. 715 the restrictor baffle must not be fitted.**

**A spillage test must always be carried out to check satisfactory clearance of flue products, regardless of the type of flue the appliance is being fitted to. (see fig. 19 on page 23)**

**Proceed as follows :-**

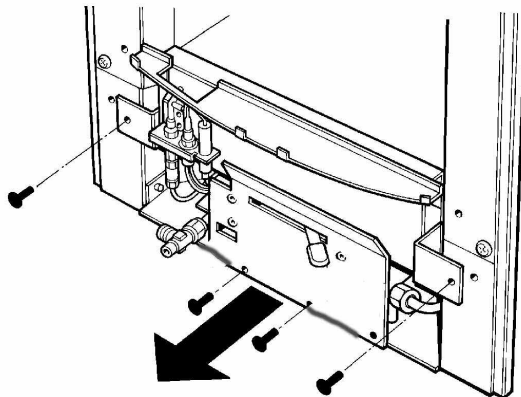
- a) Remove the trim / fret. Remove the burner heat shield from the front of the fire box to allow access to the burner. See fig. 5 below.

**Fig. 5**



- b) Ensure that the hearth is protected from damage and carefully lift the fire box into the fire opening, then slide it back into position. Check that the fire box flange fits flush to the sealing face of the fire surround or wall with no gaps present.
- c) Remove the four retaining screws securing the burner to the firebox. The base of the burner unit can now be pulled forward, allowing the burner to be removed outwards and downwards from the fire box. Take care not to pull wires connected to the PCB assembly See fig. 6 below.

**Fig. 6**

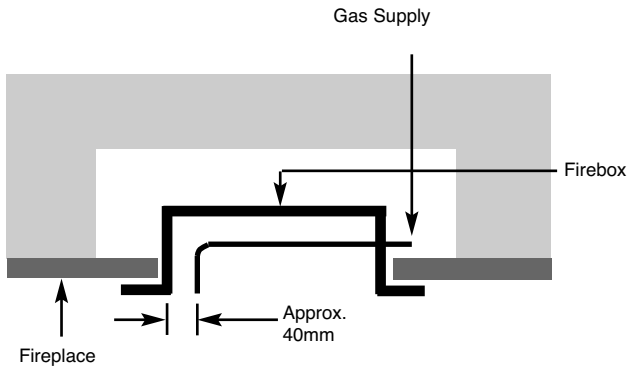


**Carefully remove the HT lead from the pilot assembly.**

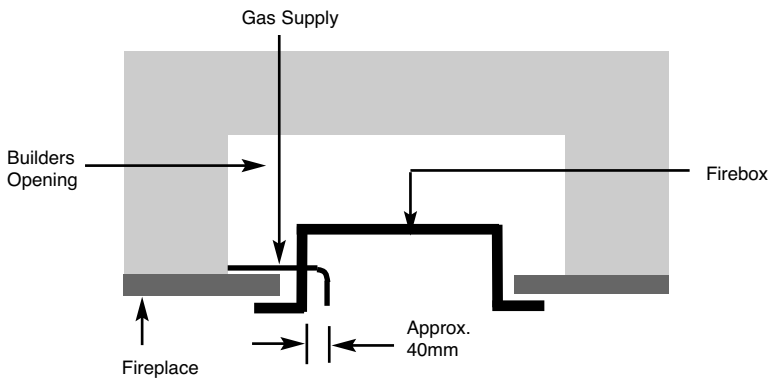
**Continue for all models**

Whilst the fire box is still in position, decide which side the gas supply is to enter the fire from. If concealed pipe work is required plan the pipe run to enter the fire box through one of the openings in the sides of the fire box below the fuelbed support panel and connect to the isolating / inlet elbow. The gas connection to the appliance should be made to the isolating / inlet elbow using 8mm rigid tubing. There must be no soldered joints within the firebox. See fig. 7a & 7b below for suggested concealed pipe layouts.

**Fig. 7a**



**Fig. 7b**



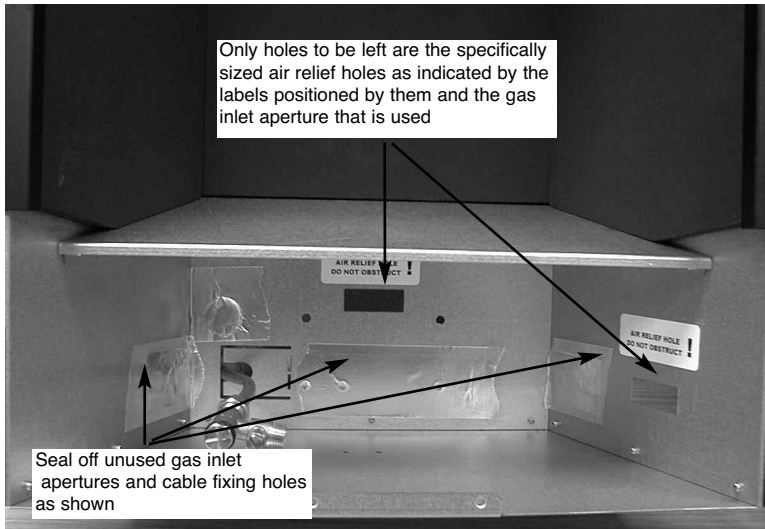
**Note : Before breaking into the gas supply a pressure drop test should be carried out to establish that the existing pipework is sound.**

Carefully withdraw the fire box from the opening to enable the gas supply and fire fixing to be completed.

**IMPORTANT : Sealing of the Gas Unused Gas Pipe Inlet Apertures**

In line with current GAS SAFE regulations, **it is imperative that the gas supply inlet apertures that are not utilised during the installation are sealed with the foil tape as supplied.** Failure to seal these inlet apertures could lead to flame reversal, which in turn will damage the burner and control systems of the product. Fig. 9 below shows a correctly sealed installation.

**Fig. 9**



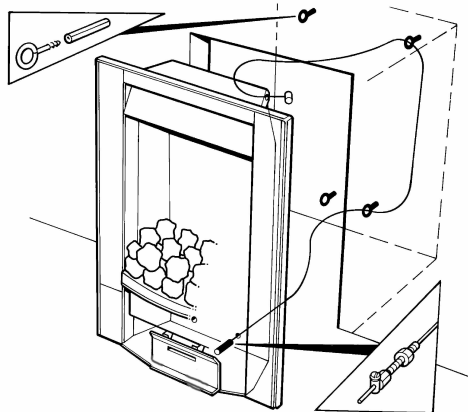
***PLEASE NOTE :-***

**BFM EUROPE LTD. WILL NOT BE LIABLE FOR GUARANTEE CLAIMS THAT ARE AS A DIRECT RESULT OF THE UNUSED GAS INLET APERTURES NOT BEING CORRECTLY SEALED.**



- k) Thread a tensioning screw over each of the cables and ensure that the tensioning nut is screwed fully up against the hexagon shoulder of the tensioning screw (this provides maximum travel for the tensioning nut).
- l) Fit a screwed nipple on to each of the cables and pull hand tight up against the tensioning screw, then secure each nipple with a flat bladed screwdriver. See fig. 10 below

**Fig. 10**



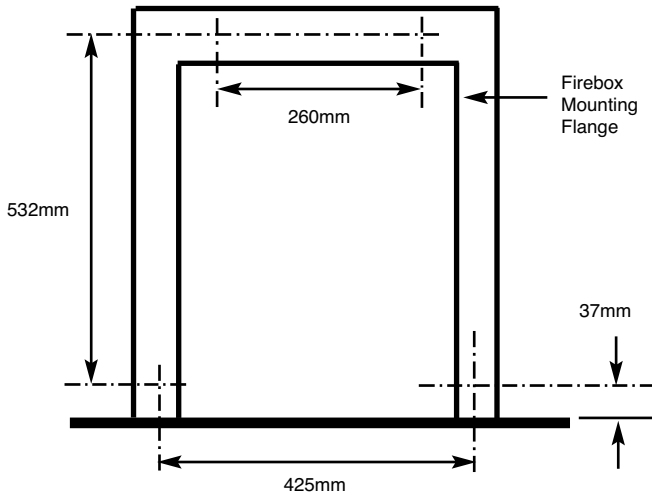
- m) Evenly tighten the tensioning nuts to tension both cables and pull the fire snugly against the wall. Do not overtighten, it is only necessary to pull the seal up against the sealing face of the wall, it does not need to be compressed. Check that there are no gaps behind the seal.
- n) With the fire securely in place, if a concealed gas connection has been made through either of the access holes in the sides of the fire, the holes should be closed around the pipe to prevent leakage of air through the gap around the pipe.
- o) Fit the four retaining screws and check that the burner is correctly locked into position.
- p) Refit the front burner heat shield to the sides of the fire box (2 Screws) and secure the trim to the fire using the magnets provided.
- q) **Before making the final gas connection, thoroughly purge the gas supply pipework to remove all foreign matter, otherwise serious damage may be caused to the gas control valve on the fire.**



The other firebox fixing method is as follows :-

In installations where the cable method is not suitable (e.g. loose masonry in rear of fire opening) the firebox can be secured to the fire surround using four screws and wall plugs provided. Below (fig.11) is a diagram to indicate the hole centre positions available on the firebox to facilitate the screw fixing to the fireplace / surround.

**Fig. 11**



## 2.3 GAS TIGHTNESS AND BURNER PRESSURE

- a) Remove the pressure test point screw from the inlet elbow and fit a manometer.
- b) Turn on the main gas supply and carry out a gas tightness test.
- c) Depress both the round buttons on the handset. The fire will then commence its ignition sequence and will light to high. See page 22 for full details of the operating method for the fire.
- d) Check that the gas pressure is **20.0 mbar (+/- 1.0mbar) 8.0 in w.g.(+/- 0.4 in w.g.)**
- e) Turn off the fire, remove the manometer and refit the pressure test point screw. Check the pressure test point screw for gas tightness with the appliance turned on using a suitable leak detection fluid or detector.

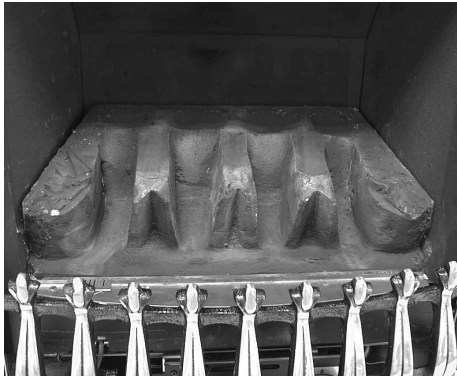
## SECTION 3 ASSEMBLING FUEL BED AND COMMISSIONING

### 3.1 ASSEMBLING THE CERAMICS AND FUEL BED

**NOTE :** The position of the fuel-bed components are critical to the performance of the product. Therefore please ensure that the fuel-bed components are positioned as described in the following section prior to requesting a service call due to soot build up, poor flame pattern etc.

- a) Place the ribbed ceramic fuelbed base on top of the fuelbed support and pull fully forwards to the burner. **Make sure that the fuelbed base is located centrally in the fire box. Ensure that the fuelbed base fit fully down onto the fuel bed support and is not lodged on the burner. See fig. 12 below.**

Fig. 12



- b) Position the two halves of the front ceramic pattern side up (L/H & R/H) on the locating channel in the front ceramic, ensuring it is located onto the lip on the burner front ceramic support. (See fig. 13 below)

Fig. 13



- c) Fit five of the large sized coals onto the front ceramic rail, ensuring that they are evenly spaced. Use the recess's in the front ceramic rail as a guide for placement. (See fig. 14 below)

**Fig. 14**



- d) Select four of the large coals and arrange behind the front row of coals, ensuring that flame paths as indicated below are not interrupted. Select two of the small coals and place at each end of the second row (See fig. 15 below)

**Fig. 15**



- e) Select five of the large coals and arrange along the rear of the fuelbed, using the ribs in the rear of the fuelbed as a guide for placement. (See fig. 16 below)

**Fig. 16**



- f) Select the four remaining large coals and position to fill the gaps at each end of the third row of coals, as shown. Fig. 17

**Fig. 17**



The exact position and fit of the coals may be finely adjusted to give the most pleasing and random appearance.

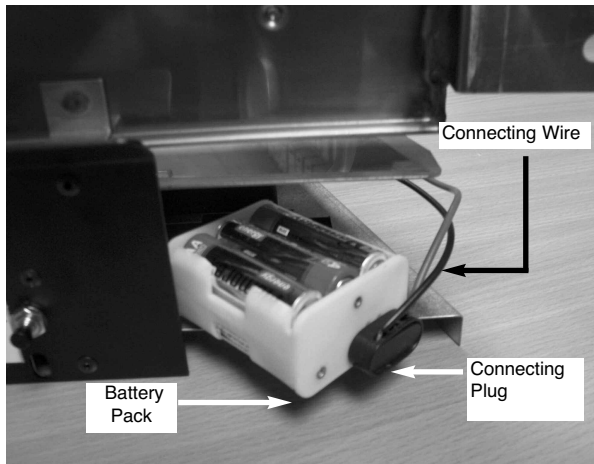
**Warning : Use only the coals supplied with the fire. When replacing the coals remove the old coals and discard them. Fit a complete set of coals of the correct type. Do not fit additional coals or any coals other than a genuine replacement set.**

To ensure that the release of fibres from these R.C.F (Refractory Ceramic Fibre) articles is kept to a minimum, during installation and servicing we recommend that you use a HEPA filtered vacuum to remove any dust accumulated in and around the appliance before and after working on the appliance. When replacing these articles we recommend that the replaced items are not broken up, but are sealed within heavy duty polythene bags, clearly labelled as “RCF waste”. RCF waste is classed as a “stable”, non reactive hazardous waste and may be disposed of at a landfill licensed to accept such waste. Protective clothing is not required when handling these articles, but we recommend you follow the normal hygiene rules of not smoking, eating or drinking in the work area, and always wash your hands before eating or drinking.

### 3.2 CONNECTING THE BATTERY PACK

- a) To prevent un-necessary battery drain, the battery pack that is used to provide the remote control function for this product is disconnected at the factory. Prior to attempting to light the product, can the installer please ensure that the battery pack is re-connected as shown in section b), c) & d) below.
- b) Locate the battery pack in the support cradle at the bottom R/H side of the firebox / burner assembly.
- c) The wire and connecting plug from the battery pack should then be connected into the supply wire running from the control board. See Fig 18 below.

**Fig. 18**



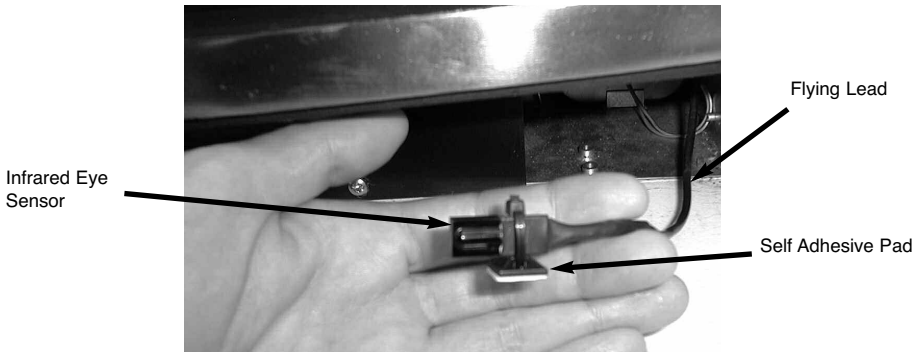
- d) Replace the battery pack into its mounting cradle below the burner.

**Note : Ensure that the battery pack is re-fitted correctly into it's mounting cradle**

### 3.3 FIXING THE INFRARED SENSOR IN POSITION

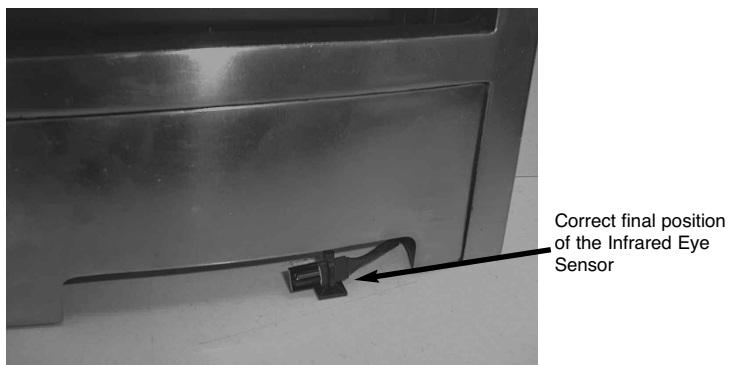
- a) Due to the large amount of different fascia's that can be supplied with these fires, the infrared sensor is supplied from the factory attached to a self adhesive pad. This pad can therefore be attached to the hearth in a position to suit the form of the fret or contemporary trim assembly that is chosen with the product. Fig. 19 below shows the self adhesive pad and infrared eye attached to the flying lead, as supplied from the factory.

**Fig. 19**



- b) Remove the backing paper from the self adhesive pad and position the infrared eye in the air channels in the ashpan cover, so that the infrared eye is flush with the front edge of the ashpan cover, as shown below in Fig. 20. Check the operation of the handset, as detailed in Section 3.3 and adjust the position of the infrared eye if necessary.

**Fig. 20**

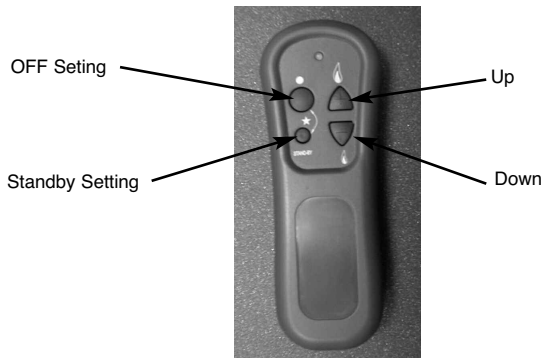




### 3.4 LIGHTING THE APPLIANCE

- a) The Remote control handset generates an infrared signal, which will be received by the sensor situated at the front right of your fire, behind the ashpan cover. This infrared signal requires direct line of sight from the handset to the sensor on the fire to ensure good operation.
- b) To light the appliance using the handset, point the handset at the fire and press the 2 left hand buttons together. The fire will emit a “beep” sound, the buttons can now be released. After a few seconds an audible clicking can be heard and then the fire will light the pilot and then light the main burner. The ignition cycle will take approximately 20 seconds.
- c) To reduce the level of heat input on the fire, point the handset at the fire and press the small flame button. (See Fig. 21 below)
- d) To increase the level of heat input on the fire, point the handset at the fire and press the large flame button. (See Fig. 21 below)
- e) To leave the fire in the standby mode (pilot only running) press the small round button on the handset. (See Fig. 21 below)
- f) To switch the appliance off completely, press the large round button on the handset, the fire will then switch off. (See Fig. 21 below)

**Fig. 21**

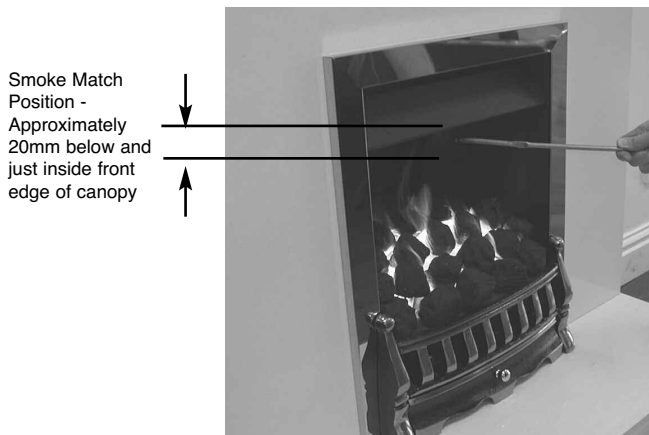


**WARNING : If the fire goes out for any reason or is turned off and it is necessary to re-light the fire it is important to allow the fire to cool for 3 minutes before attempting to re-light it.**

### 3.5 CHECKING FOR CLEARANCE OF COMBUSTION PRODUCTS

- a) Close all doors and windows in the room.
- b) Light the fire and allow to run for approximately 5 minutes on high position.
- c) After approximately 5 minutes hold a smoke match just inside and below the centre of the lower front edge of the top of the fire. See fig. 22 below (It is recommended that a suitable smoke match holder is used when checking for clearance of combustion products). All smoke generated should be drawn back into the flue. If slight spillage occurs or if in doubt, repeat the test after a further 5-10 minutes. **If the test indicates that spillage is occurring and the flue restrictor baffle has been fitted, it should be removed and the test repeated after the fire has cooled.**
- d) If spillage persists, the flue is not functioning correctly and a fault exists. If, after investigation the fault cannot be traced and rectified, the fire must be disconnected from the gas supply and expert advice obtained.
- e) If there is an extractor fan fitted any where in the vicinity of the appliance, the spillage test should be repeated with the fan running on maximum and all interconnecting doors open.
- f) After ensuring that the fire is safe to use it should be left on high position to fully warm up. During this time a slight odour may be noticed, this is due to the “newness” of the fire and will soon disappear. At this stage any minor adjustments to the coals should be made using suitable long handled tongs and taking care not to damage the coals. Finally, hand the Installation and Maintenance Instructions and the Users Instructions over to the customer and explain the operation of the fire.

**Fig. 22**



## SECTION 4 MAINTENANCE

### Servicing Notes

Servicing should be carried out annually by a competent person such as a GAS SAFE registered engineer. The service should include visually checking the chimney and fire opening for accumulations of debris and a smoke test to check for a positive up-draught in the chimney.

The condition of the coals should be checked and **if necessary the whole set should be replaced with a genuine replacement set.**

The burner assembly is designed to be removed as a complete unit for ease of access. **After any servicing work a gas tightness check must always be carried out.**

### For Diagrams refer to Section 2

#### 4.1 Removing the burner assembly from the fire.

4.1.1 Prepare work area (lay down dust sheets etc.)

4.1.2 Lift the fender and ash pan cover out of the way and put them in a safe location. Remove the loose coals from the fuel bed and front ceramic rail. Remove the front ceramic from the rail. Unscrew the two pozi-driv fixing screws which secure the burner heat shield and remove it from the fire.

4.1.3 Isolate the gas supply and remove the inlet pipe from the appliance inlet elbow. Unscrew and remove the four screws which retain the burner. Remove the HT lead from the Pilot electrode and remove the burner assembly from the fire, ensuring not to pull to tightly on the PCB wiring.

4.1.4 To refit the burner assembly. Ensure wiring is fitted correctly to the PCB assembly. Push the base of the control panel fully into the fire and secure with the four screws. Refit the gas supply pipe and carry out a gas tightness test. Refit the burner heat shield then refit the coals referring to section 3 for the correct coal layout. The fender and ash pan cover can now be re-positioned.

## 4.2 Removing the Valve

- 4.2.1 Remove the burner assembly as in section 4.1
- 4.2.2 Remove the thermocouple retaining nut from the valve. remove the main pipe, inlet pipe and pilot pipe from the valve.
- 4.2.3 Remove the valve retaining screws and remove. Re-assemble in reverse order and carry out a gas tightness test.

## 4.3 Removing the Pilot Assembly.

**Note : Because this appliance is fitted with an atmosphere sensing ‘Oxy-Pilot’ it is not possible to replace the thermocouple separately, because the thermocouple position is factory set to a tight tolerance. Any replacement of parts on the pilot requires a complete new pilot assembly.**

- 4.3.1 Remove the burner assembly as in section 4.1.
- 4.3.2 Unscrew the thermocouple retaining nut from the solenoid.
- 4.3.3 Loosen the pilot nut and remove two screw retaining the pilot assembly.
- 4.3.4 Re-assemble in reverse order and carry out a gas tightness test.

**Note : Prior to replacing the oxypilot on this product due to suspected failure of the component, please remove all debris that has collected on the lint guard of the oxypilot itself.**

## 4.4 Replacing the Batteries (Within the Firebox)

- 4.4.1 Remove the fender and ashpan assembly. The battery holder is located on the Right Hand side of the appliance .
  - 4.4.2 Remove the battery pack with care and then disconnect the battery lead at the white rectangular plug and socket.
  - 4.4.3 Replace in reverse order and check correct operation of the appliance.
- NB The handset uses one LR61 (9v) and should be replaced by removing the cover on the rear of the handset.

**ENSURE THE BATTERIES ARE CONNECTED TO THE CORRECT POLARITY POSITIVE (+), NEGATIVE (-)**

## PARTS SHORTLIST

Replacement of parts must be carried out by a competent person such as a GAS SAFE registered gas installer. The part numbers of the replaceable parts are as follows, these are available from your local stockist whose details are shown on the BFM Europe website, address shown below

Gas Control Valve	B-106790
Control Board	B-106800
Battery Cable	B-106810
Battery Holder	B-106820
Fuelbed base	B-58690
Fuelbed front rail	B-18730
Replacement coal set	B-58700
L/H Fibre Board - Plain Back	B-58610
R/H Fibre Board - Plain Back	B-58620
Upper Rear Fibre Board - Plain Back	B-58600
Lower Rear Fibre Board - Plain Back	B-58590
L/H Fibre Board - Brick Back	B-58650
R/H Fibre Board - Brick Back	B-58660
Upper Rear Fibre Board - Brick Back	B-58640
Lower Rear Fibre Board - Brick Back	B-58630

**Due to our policy of continual improvement and development the exact accuracy of illustrations and descriptions contained in this book cannot be guaranteed**

**Part No. B-108140  
Issue 3**

**K i n d e r**

FIRES FOR LIFE

BFM Europe Ltd  
Trentham Lakes  
Stoke-on-Trent  
Staffordshire  
ST4 4TJ

[www.bfm-europe.com](http://www.bfm-europe.com)

**Telephone - General Enquiries : (01782) 339000  
Telephone - Service : (0844) 7700169**