



# Avelli

## CONVENTIONAL FLUE LOG EFFECT GAS FIRE

### Installation, Maintenance & User Instructions

Hand these instructions to the user

Model No's BHEL\*\*RN2 is only for use on Natural Gas (G20) at a supply pressure of 20 mbar in G.B. / I.E.

\*\* denotes cosmetic variant

# CONTENTS

<b>Section 1</b>	<b>Information and Requirements</b>	<b>PAGE</b>
1.0	Appliance Information	3
1.1	Conditions of Installation	4
1.2	Flue and chimney suitability	4
1.3	Fireplace / surround suitability	5
1.4	Shelf position	5
1.5	Chimney inspection	5
1.6	Fire place opening / catchment space	6-7
1.7	Chair bricks	7
1.8	Metal flue boxes	7
1.9	Spillage monitoring system	8
<b>Section 2</b>	<b>Installation of Fire</b>	
2.1	Unpacking the fire	9
2.2	Installing the fire box	9-18
2.3	Fitting the batteries to the receiver unit & handset	19
2.4	Installing the Avelli surround	19-20
2.5	Centralising the surround legs	21
2.6	Gas tightness and inlet pressure	22
<b>Section 3</b>	<b>Assembling Fuel Bed and Commissioning</b>	
3.1	Fitting the log fuelbed	23-27
3.2	Lighting the appliance	28-32
3.3	Fitting the handset wall bracket	32
3.4	Instructing the user / product handover	32
3.5	Checking for clearance of combustion products	33
3.6	Removal / re-fitting the restrictor baffle	34
<b>Section 4</b>	<b>Maintenance</b>	
4.1	Removal of the burner assembly	35
4.2	Removal of the control valve	35
4.3	Removal of the oxypilot	36
4.4	Removal of the receiver unit	36
	Spare parts shortlist	37
<b>Section 5</b>	<b>User Instructions Section</b>	
5.1	Conditions of installation / about your new gas fire	38-39
5.2	Operating the fire	40-44
5.3	Removal / re-fitting the glass frame assembly	45-47
5.4	Removal / replacement of the fuelbed	48-52
5.5	Cleaning the fire	52
	User replaceable parts	53

This appliance is manufactured by :-

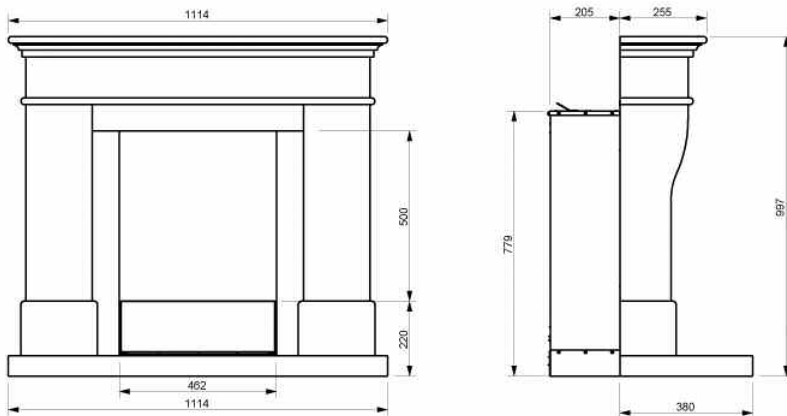
BFM Europe Ltd.  
Trentham Lakes,  
Stoke-on-Trent, ST4 4TJ.

# SECTION 1 INFORMATION AND REQUIREMENTS

## 1.0 APPLIANCE INFORMATION

Model	BHEL**RN2 ** denotes cosmetic variance
Gas Type	G20
Main injector (1 off)	Size 380
Pilot Type	Seagas P4-29D
Max. Gross Heat Input :	6.2 kW
Min. Gross Heat Input :	3.5 kW
Cold Pressure :	20.0 +/-1.0 mbar
Ignition :	6V Battery Ignition
Electrode Spark Gap	4.0mm
Packed Weight	41 kg
Gas Connection :	8mm Compression (supplied with fire)

Fig. 1



### Appliance Efficiency Declaration

The efficiency of this appliance has been measured as specified in BS 7977-1 : 2002 and the result is 68%.

The gross calorific value of the fuel has been used for this efficiency calculation.

The test data from which it has been calculated has been certified by BSI. The efficiency value may be used in the UK Government's Standard Assessment Procedure (SAP) for energy rating of dwellings

# INSTALLATION REQUIREMENTS

## 1.1 CONDITIONS OF INSTALLATION

It is the law that all gas appliances are installed only by a GAS SAFE Registered Installer, in accordance with these installation instructions and the Gas Safety (Installation and Use) Regulations 1998 as amended. Failure to install appliances correctly could lead to prosecution. It is in your own interest and that of safety to comply with the law.

The installation must also be in accordance with all relevant parts of the Local and National Building Regulations where appropriate, the Building Regulations (Scotland Consolidation) issued by the Scottish Development Department, and all applicable requirements of the following British Standard Code of Practice.

1. B.S. 5871 Part 2 Installation of Inset Fuel Effect Gas Fires
2. B.S. 6891 Installation of Gas Pipework
3. B.S. 5440 Parts 1 & 2 Installation of Flues and Ventilation
4. B.S. 1251 Open fire place components
5. B.S. 715 Metal flue pipes for gas appliances
6. B.S. 6461 Part 1 Installation of Chimneys and flues
7. B.S. E.N. 1858 Chimneys Components & Concrete Flue Blocks
8. I.S. 813 : 1996 Domestic Gas Installation (Republic of Ireland)

**No purpose made additional ventilation is normally required for this appliance, when installed in G.B. When installing in I.E. please consult document I.S. 813 : 1996 Domestic Gas Installation, which is issued by the National Standards Authority of Ireland. If installing in Northern Ireland, please consult local building regulations. Any purpose made ventilation must be checked periodically to ensure that it is free from obstruction.**

## 1.2 FLUE AND CHIMNEY SUITABILITY

This appliance is designed for use with conventional brick built or lined chimneys and fabricated flues conforming to BS 715. All flues must conform to the following minimum dimensions.

<b>Minimum diameter of circular flues</b>	<b>125 mm (Without Flue Restrictor Fitted)</b>
<b>Minimum effective height of all flue types</b>	<b>3 metres</b>

**When fitting to conventional chimneys or 175mm flues it may be desirable to leave the flue restrictor baffle (supplied) in place to reduce the flue flow and increase the efficiency of the fire. Safe clearance of products must always be checked by carrying out a smoke match test as described.**

### 1.3 FIREPLACE / SURROUND SUITABILITY

The fire must only be installed with the hearth supplied it **must not be installed directly onto carpet or other combustible floor materials.**

If a heating appliance is fitted directly against a wall combustible material must be removed from behind it. Soft wall coverings such as blown vinyl, wall paper etc. could be affected by the rising hot air and scorching and/or discoloration may result. Due consideration should be made to this when installing or decorating.

**This product can only be installed with surround designs available from BFM Europe Ltd.**

### 1.4 SHELF POSITION

The fire may be fitted below a combustible shelf providing there is a minimum distance of 200mm above the top of the fire and the shelf does not project more than 150mm. If the shelf overhangs more than 150mm the distance between the fire and the shelf must be increased by 15mm for every 25mm of additional overhang over 150mm.

### 1.5 FLUE / CHIMNEY INSPECTION

Before commencing installation, a flue or chimney should be inspected to ensure that all the following conditions are satisfied.

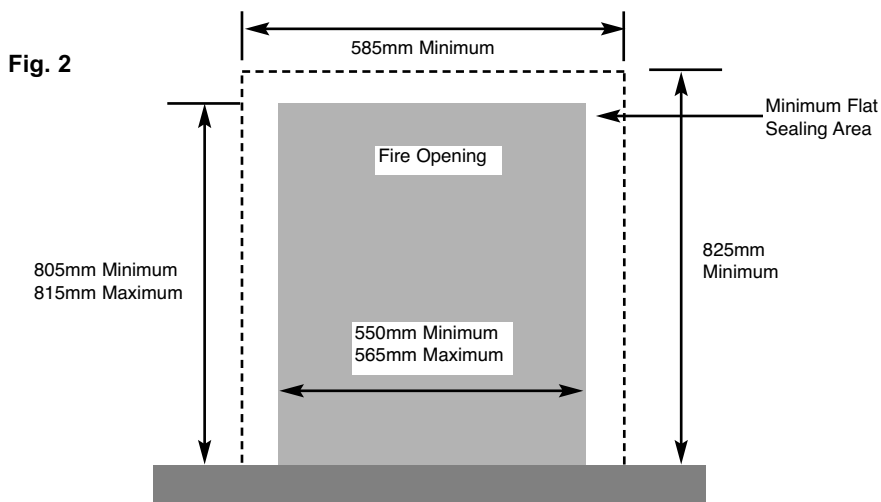
1. Check that the chimney / flue only serves one fire place and is clear of any obstruction. Any dampers or register plates must be removed or locked in the open position.
2. Brick/stone built chimneys or any chimney or flue which has been used for an appliance burning fuel other than gas must be thoroughly swept. The base of the chimney / flue must also be thoroughly cleared of debris etc.
3. Any under-floor air supply to the fire place must be completely sealed off.
4. Ensure that the inside of the chimney / flue is in good condition along it's length and check that there is no leakage of smoke through the structure of the chimney during and after the smoke pellet test.
5. **Using a smoke pellet, check that there is an up-draught in the chimney / flue and that the smoke can be seen issuing from the terminal / chimney pot outside.**

**There must be no leakage of smoke through the structure of the chimney during or after the smoke pellet test and it is important to check inside upstairs rooms adjacent to the chimney / flue.** Check the chimney pot / terminal and general condition of the brickwork or masonry. If the chimney or flue is in poor condition or if there is no up-draught do not proceed with the installation. If there is a history of down-draught conditions with the chimney / flue, a tested and certificated flue terminal or cowl suitable for the relevant flue type should be considered.

6. **A spillage test must always be carried out during commissioning of the appliance.**

### 1.6 FIRE PLACE OPENING AND CHIMNEY CATCHMENT SPACE

The front opening of the fire place must be between 550 and 565mm wide, and between 805mm and 815mm high. If the opening exceeds these dimensions then a surround must be constructed from suitable non-combustible material to produce a correct size opening. Any surround must be suitably sealed to the fire place to prevent leakage. See below in fig. 2

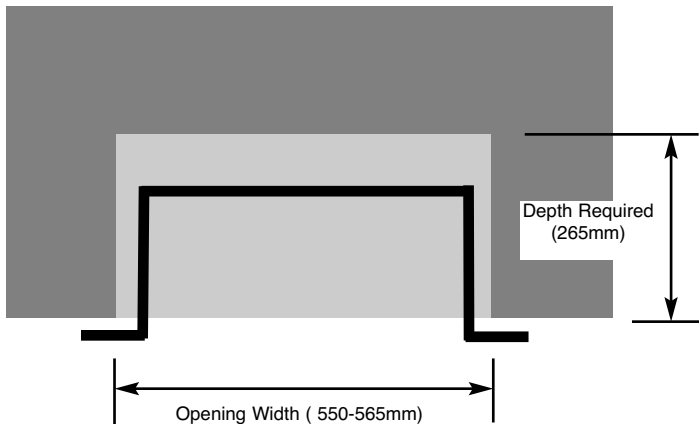


When installing into a brick built chimney, you must ensure that there is sufficient depth to accommodate any debris which may fall from the chimney. This depth must be sufficient to accommodate 12 litres of volumetric space in a conventional brick built chimney.

**Table A - Installation Depth Requirements for a BFM Fires Avelli being installed into a brick built chimney, requiring 12.0 litres of debris collection volume (fig. 3).**

Opening Width (mm)	Minimum Depth Required (mm)
550-565mm	265mm

**Fig. 3**



**1.7 FITTING TO FIREPLACES WITH EXISTING CHAIRBRICKS AND CONVENTIONAL BRICKBUILT CHIMNEYS**

This appliance is not suitable for use in fireplaces fitted with an existing chairbrick without the removal of the chairbrick.

**1.8 FITTING TO PRE-FABRICATED TWIN WALL METAL FLUE BOXES**

The appliance may be fitted to twin wall metal flue boxes conforming to the constructional requirements of BS 715. The box must have a minimum flue diameter of 125mm internal and minimum internal dimensions of 235mm deep by 805mm high by 550mm wide. The top face of the box must be insulated with a minimum thickness of 50mm of non-combustible mineral wool insulation or similar material. The flue box must stand on a non-combustible base of minimum thickness 12mm.

## 1.9 SPILLAGE MONITORING SYSTEM

This appliance is fitted with an atmosphere sensing spillage monitoring system in the form of an oxygen sensing burner. This is designed to shut the fire off in the event of a partial or complete blockage of the flue causing a build up of combustion products in the room in which the fire is operated. **The following are important warnings relating to this spillage monitoring system :-**

- 1) The spillage monitoring system must not be adjusted by the installer.
- 2) The spillage monitoring system must not be put out of operation.
- 3) When the spillage monitoring system is exchanged only a complete original manufacturers part may be fitted.



## SECTION 2 INSTALLATION OF FIRE

### 2.1 UNPACKING THE FIRE

Carefully lift the fire out of the carton. Remove the loose item packaging, check the contents as listed below :-

**NOTE : DO NOT UNDER ANY CIRCUMSTANCES USE THIS APPLIANCE IF THE GLASS PANEL IS BROKEN OR NOT SECURELY FIXED TO THE FIREBOX.**

#### Packing Check List - All Models

##### **Pack 1 of 2 - Combustion Chamber Pack**

- 1 off Combustion chamber & glass frame assembly
- 1 off Boxed ceramic fuel-bed set (packed inside combustion chamber)
- 1 off Installation / user instruction manual
- 1 off Loose items pack – containing :-
  - 1 off 9V battery, 4 off 1.5V batteries
  - remote handset, 1 off handset wall brkt (inc. fixings), 1 off glass removal tool, 4 off M5 locknuts, 4 off 8mm rawlpugs & fixing screws, 2 off surround leg securing brackets.

##### **Pack 2 of 2 - Limestone or Travertine Surround**

- 1 off Hearth
- 1 off Shelf
- 1 off Top infill
- 1 off Shelf infill section
- 1 off L/H leg
- 1 off R/H leg
- 1 off Controls access panel

### 2.2 INSTALLING THE FIRE BOX

Establish which type of flue you are intending to install the fire in to :-

**225 x 225mm (9 inch x 9 inch) brick built chimneys**

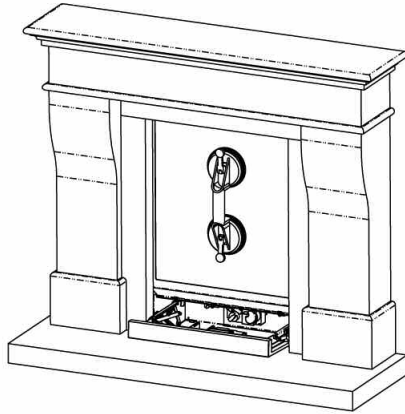
**175mm (7 inch) diameter lined brick or stone flue, or insulated pre-fabricated metal flue box to B.S. 715.**

**When installing into 125mm (5 inch) diameter lined brick or stone flue, or insulated pre-fabricated metal flue box to B.S. 715 and pre-cast flues the restrictor baffle must not be fitted.**

**A spillage test must always be carried out to check satisfactory clearance of flue products, regardless of the type of flue the appliance is being fitted to.**

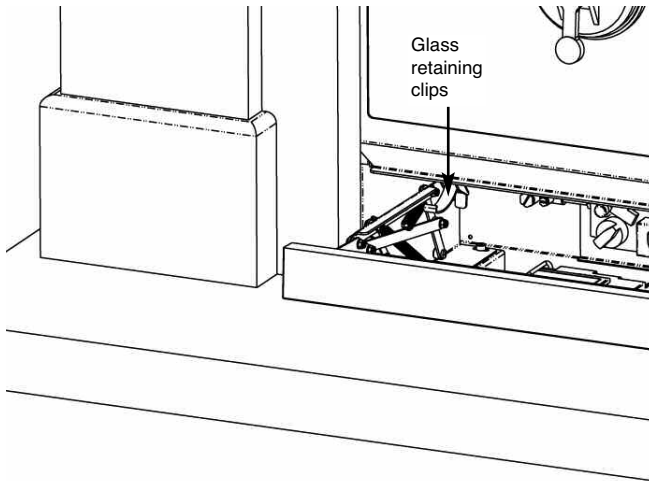
- a) Remove the glass panel by firstly lowering the access door then affixing the glass clamp to the glass panel as shown below in fig. 4 (Images shown with surround installed, please install firebox before surround).

**Fig. 4**



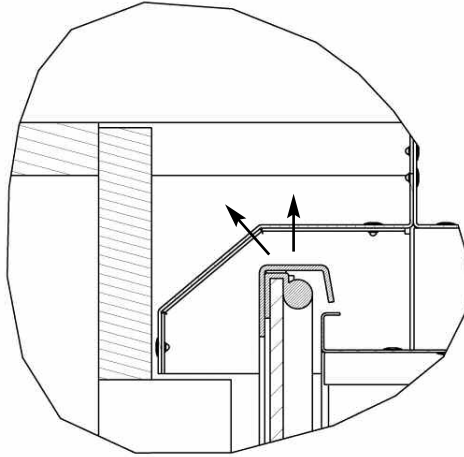
- b) Unclip the glass frame retaining clips at the base of the glass frame assembly as shown in fig. 5 below. (Images shown with surround installed, please install firebox before surround).

**Fig. 5**



- c) Unhook the glass panel from the top retaining channel by lifting upwards then tilt the top edge of the glass assembly towards you as shown below in fig. 6 (sectional view shown through product for clarity)

**Fig. 6**



- d) Remove the glass frame assembly by dropping down, sliding to the left until the right hand edge of the glass frame can be released from behind the right hand leg of the surround as shown below in fig. 7 and overpage in fig. 8 (Images shown with surround installed, please install firebox before surround).

**Fig. 7**

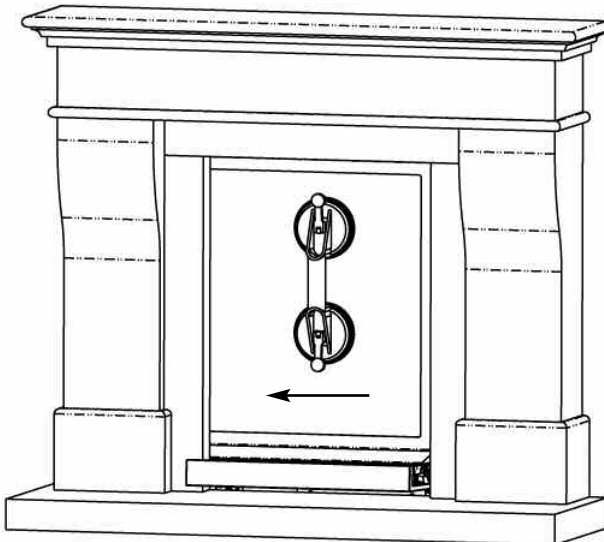
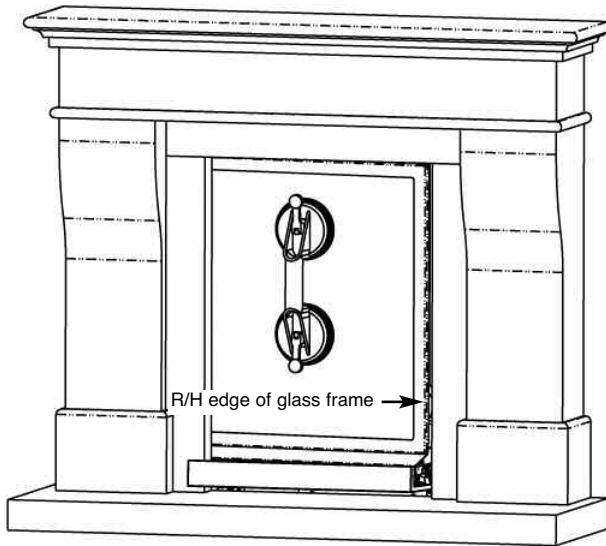


Fig. 8



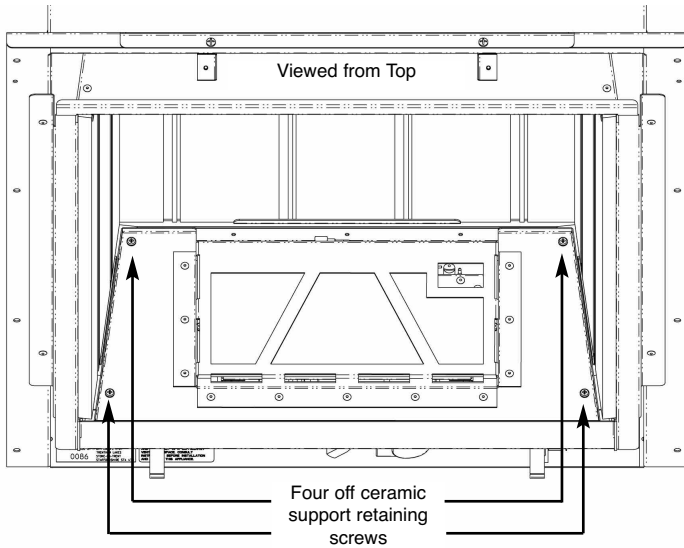
- e) Store the glass frame assembly in a safe place.
- f) Re-assemble in reverse order when re-fitting the glass assembly.

**Ensure that the glass assembly is correctly located on the top flange of the combustion chamber, this can be achieved by putting your hand onto the top edge of the glass frame inside the convection air aperture and pushing down firmly to check the glass frame is correctly located.**

**DO NOT OPERATE THE FIRE WITHOUT THE GLASS FRAME ASSEMBLY IN POSITION OR NOT CORRECTLY LOCATED.**

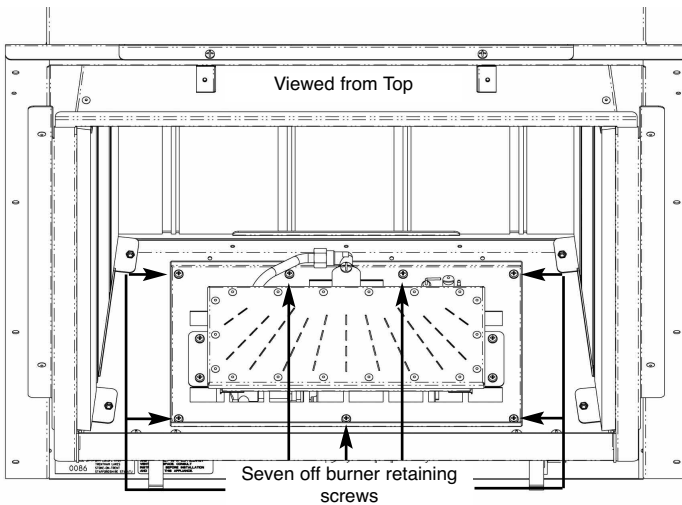
- g) Remove the burner. To allow burner removal, the ceramic support panel must be removed to allow access to the burner fixings. Remove the 4 off ceramic support retaining screws as shown below in fig. 9

**Fig. 9**



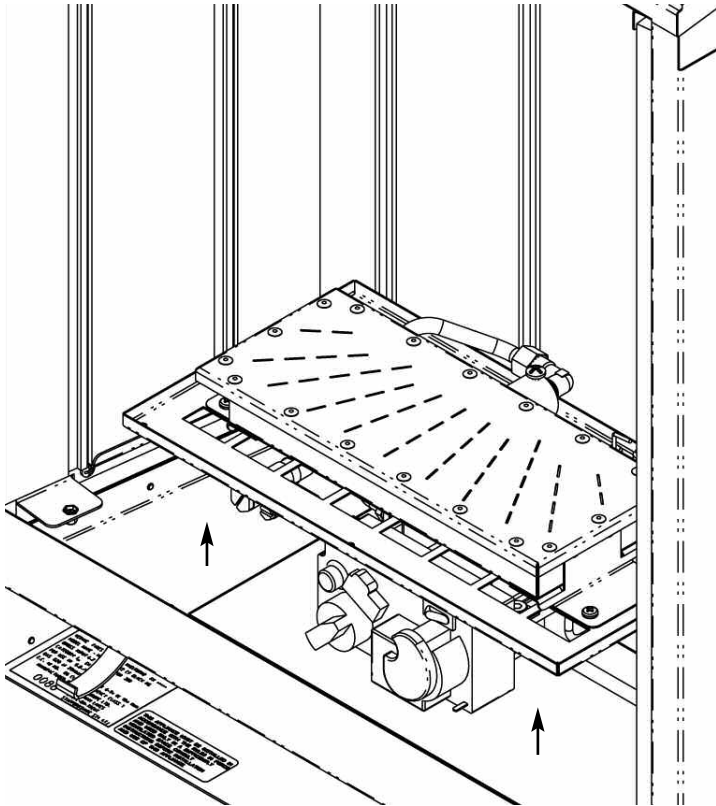
- h) Remove the 7 off screws that hold the burner in position, see fig. 10 below.

**Fig. 10**



- i) Remove the burner by lifting clear from the combustion chamber as shown below in Fig. 11, take care to also lift out the receiver unit and wiring loom, (the receiver unit is held in position with velcro, centrally on the base unit of the firebox).

**Fig. 11**

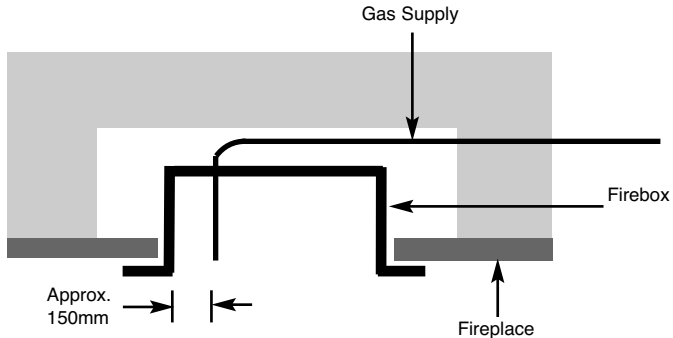


- j) Store the burner unit in a safe position.
- k) Ensure that the hearth is protected from damage and carefully lift the fire box into the fire opening, then slide it back into position. Check that the fire box flange fits flush to the sealing face of the fire surround or wall with no gaps present.

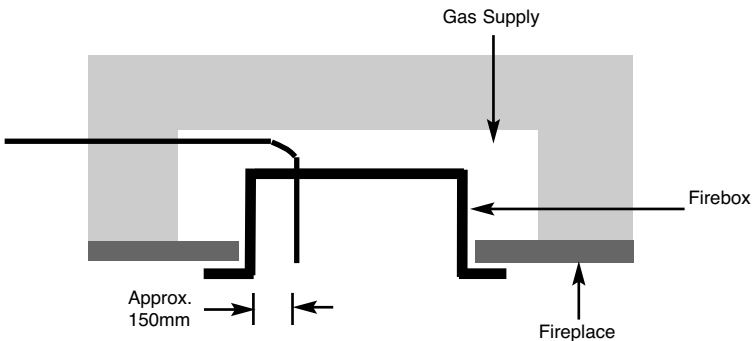
**Continue as follows for all models :-**

- l) Whilst the fire box is still in position, decide which side the gas supply is to enter the fire from. If concealed pipe work is required plan the pipe run to enter the fire box through one of the openings in the sides or rear of the fire box below the fuelbed support panel and connect to the isolating / inlet elbow. The gas connection to the appliance should be made to the isolating / inlet elbow using 8mm rigid tubing. There must be no soldered joints within the firebox. See fig. 12 & 13 below for suggested concealed pipe layouts.

**Fig. 12**



**Fig. 13**



**Note : Before breaking into the gas supply a pressure drop test should be carried out to establish that the existing pipework is sound.**

- m) Carefully withdraw the fire box from the opening to enable the gas supply and fire fixing to be completed.

There is a choice of methods of fixing the firebox which are provided to enable the installer to deal with any type of installation.

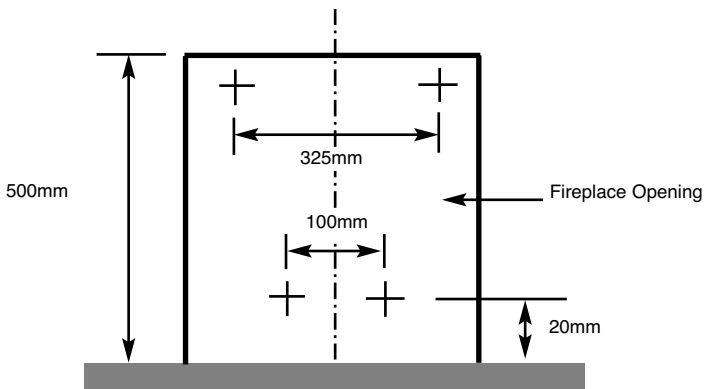
**The preferred method of fixing which is suitable for almost all situations is the cable fixing method which is described in the following section in detail.**

The fire may be secured using the cable method as described below, or alternatively, in installations where the cable method is not suitable (eg. loose masonry in rear of fire opening) the fire box can be directly secured to the fire surround using screw fixings (not provided).

To fit using the **preferred** cable method proceed as follows-

- n) Mark out and drill 4 off No 14 (7mm) holes in the back face of the fire opening in the positions shown below in fig. 14

**Fig. 14**



Fit the wallplugs provided and screw the fixing eyes securely into the rear of the fire opening. If the clearance at the rear of the fire is at the minimum specified for a precast flue application, it may be necessary to bend over the lower fixing eyes after screwing them fully in to the rear of a pre-cast starter block.

- o) Uncoil the two fire fixing cables and thread one end of each of the cables through one of the two holes on each side of the flue outlet shroud.
- p) Position the fire carefully on the (protected) surface of the hearth and reach into the fire opening. Thread each of the cables vertically



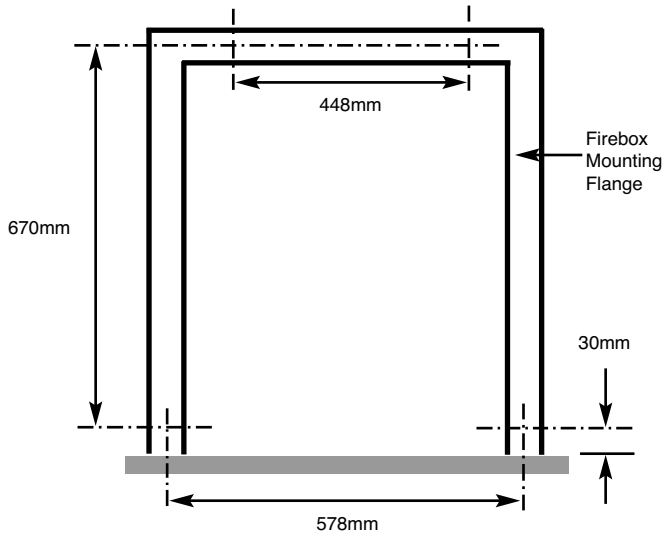
downwards through the pair of fixing eyes on the same side of the fire. Thread the free end of the cables through the corresponding circular hole on each side of the lower rear of the fire. Carefully slide the fire box back into the fire opening and pull both cables tight.

- q) Thread a tensioning screw over each of the cables and ensure that the tensioning nut is screwed fully up against the hexagon shoulder of the tensioning screw (this provides maximum travel for the tensioning nut).
- r) Fit a screwed nipple on to each of the cables and pull hand tight up against the tensioning screw, then secure each nipple with a flat bladed screwdriver.
- s) Evenly tighten the tensioning nuts to tension both cables and pull the fire snugly against the wall. Do not overtighten, it is only necessary to pull the seal up against the sealing face of the wall, it does not need to be compressed. Check that there are no gaps behind the seal.
- t) With the fire securely in place, if a concealed gas connection has been made through either of the access holes in the sides or rear of the fire, the holes should be closed around the pipe to prevent leakage of air through the gap around the pipe.
- u) Refit the burner. Fit the 7 off retaining screws and check that the burner is correctly locked into position, then re-fit the ceramic support panel via 4 off screws.
- v) **Before making the final gas connection, thoroughly purge the gas supply pipework to remove all foreign matter, otherwise serious damage may be caused to the gas control valve on the fire.**

The other firebox fixing method is as follows :-

- w) In installations where the cable method is not suitable (e.g. loose masonry in rear of fire opening) the firebox can be secured to the opening using four screws and wall plugs (not provided). Below (fig. 15) is a diagram to indicate the hole centre positions available on the firebox to facilitate the screw fixing to the fireplace / surround.

**Fig. 15**



### **2.3 FITTING THE BATTERIES TO THE RECEIVER UNIT & HANDSET**

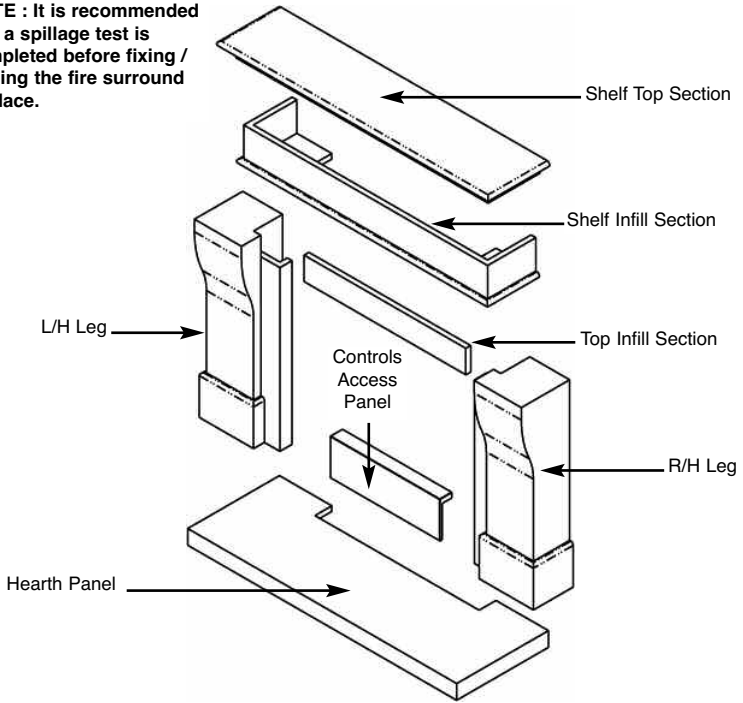
- a) 4 off AA 1.5V batteries (found in the loose items pack) are to be fitted to the battery holder located on the base of the fire below the combustion chamber.
- b) To remove the receiver unit, lift from the self adhesive velcro strip.
- c) Slide off the cover from the receiver unit.
- d) Fit the 4 off AA batteries to the unit, then re-fit the cover.
- e) Replace the receiver into it's self adhesive velcro strip.
- f) Fit the 1 off 9V battery to the handset by removing the rear cover, connecting the battery then replacing the cover.

## 2.4 INSTALLING THE AVELLI SURROUND

- a) Unpack the surround from the wooden crate, check all parts are present as per Fig. 16 overpage and carefully store the components.
- b) The underside of the hearth should be painted with a weak PVA (8 parts water to 1 part PVA). This will prevent staining penetrating through the stone. The hearth must be centered to the opening. If the fireplace is to be installed on a chimney breast ensure that the opening is also centered to the chimney breast. It is essential that the hearth is completely level. The hearth must be bedded down on bonding or an equivalent material. Avoid cement based products and ensure the hearth is firmly fitted and well supported. Allow the bedding material to set before any weight is placed onto the hearth. Wipe off any surplus bonding material with a wet sponge.
- c) Screw the fixing plates firmly into the rear faces of the legs with the screws and rawplugs provided. Position the legs equally about the center of the hearth panel. Maintain 462 mm between the legs as detailed in section 2.5 and ensure that the legs are in an upright position when placed on the hearth. Mark the fixing hole positions on the wall, remove the legs, cover the hearth panel with a dust sheet then drill the fixing holes and fit rawplugs. Replace the legs and secure to the wall via the brackets. Additional adhesive may be used on the legs.
- d) Fit the top infill section across the legs, ensure it is aligned and fix securely with a suitable mastic adhesive. Place glass rock/mineral wool behind this component to stop heat transfer.
- e) Fit the shelf infill section and shelf top section to the legs, once again it is imperative to ensure that this lines up before sealing with adhesive.
- f) Fit the controls access panel to the metal mounting panel assembly and secure with 4 off M5 nuts. The M5 nuts are contained in the loose items pack with the fire. The slots on the metal mounting plate assembly allow some up / down adjustment and the four capscrews on the mechanism assembly allow some left / right adjustment to ensure the access panel can be correctly aligned with the surround. 4 off nuts in base allow front / back adjustment.
- g) Once the fireplace is correctly installed, grout all of the joints including between the fireplace and the wall with a water based cream mastic or tile grout. Ensure all surplus grout is immediately removed by washing the stonework using a sponge and clean water.

**Fig. 16**

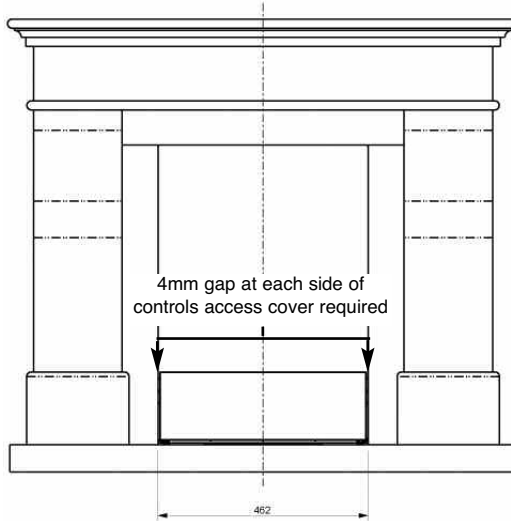
**NOTE : It is recommended that a spillage test is completed before fixing / sealing the fire surround in place.**



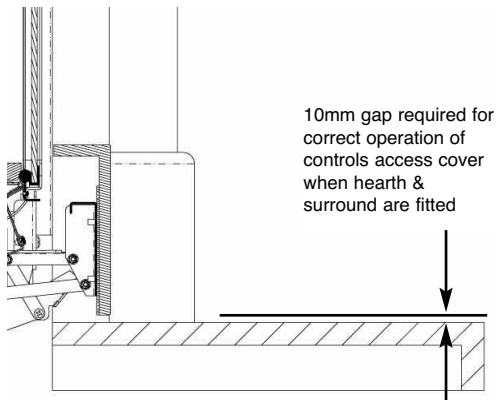
## 2.5 CENTRALISING THE SURROUND LEGS

- a) In order to ensure that controls access cover does not bind on the surround legs, it is also necessary to set the surround legs to assume a 4mm gap at each side of the controls access cover, centrally about the opening. See fig. 17 below, the distance between the legs should be nominally 462mm and a 10mm gap between the bottom of the access cover and top face of the hearth.

Fig. 17



**IF THIS 462MM DIMENSION IS NOT MAINTAINED BETWEEN THE LEGS IT WILL PREVENT THE GLASS FRAME ASSEMBLY BEING REMOVED FROM THE FIRE AND BINDING OF THE CONTROLS ACCESS COVER. PLEASE CHECK THE DIMENSION AT TOP AND BOTTOM.**



## 2.6 GAS TIGHTNESS AND INLET PRESSURE

- a) Remove the pressure test point screw from the inlet elbow and fit a manometer.
- b) Turn on the main gas supply and carry out a gas tightness test.
- c) Depress both the round buttons on the handset. The fire will then commence its ignition sequence and will light to high. See section 3.2 for full details of the operating method for the fire.
- d) Check that the gas pressure is **20.0 mbar (+/- 1.0mbar) 8.0 in w.g.(+/- 0.4 in w.g.)**
- e) Turn off the fire, remove the manometer and refit the pressure test point screw. Check the pressure test point screw for gas tightness with the appliance turned on using a suitable leak detection fluid or detector.

## SECTION 3

### 3.1 ASSEMBLING THE LOG FUEL-BED

- a) Place the L/H and R/H ceramic base pieces onto the ceramic support panel as shown below in fig. 18

**Fig. 18**



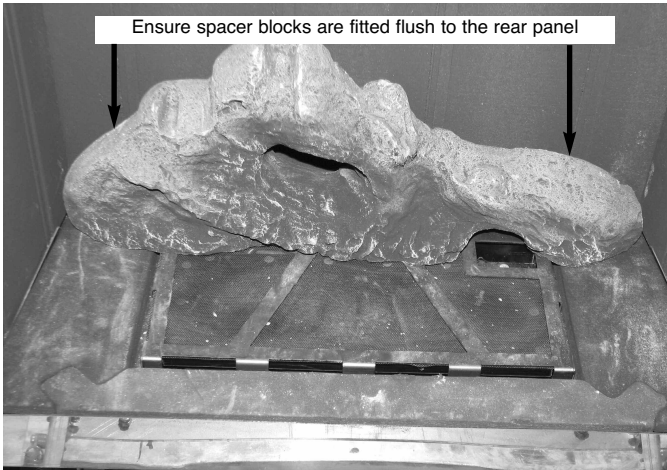
- b) Place the front ceramic base piece onto the ceramic support ensuring the location tabs fit into the L/H & R/H ceramic base pieces as shown below in fig. 19

**Fig. 19**



- c) Place the base log onto the ceramic support panel as shown below in fig. 20, ensuring the spacer locating blocks on the rear face are fitted flush up against the rear panel.

**Fig. 20**



- d) Cover the burner and fuel-bed base ceramic in a single, even layer of bark chippings as shown below in fig. 21

**Fig. 21**





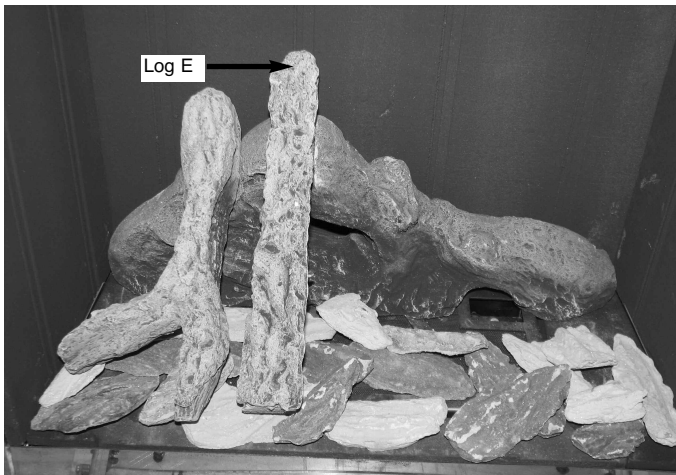
- e) Position log “H” onto the base log using the location lug on the back face of log “H” and the groove on the base log to find the correct location, as shown below in fig. 22

**Fig. 22**



- f) Position log “E” onto the base log using the location lug on the back face of log “E” and the groove on the base log to find the correct location as shown below in fig. 23

**Fig. 23**



- g) Position log "B" onto the base log using the location lug on the back face of log "B" and the groove on the base log to find the correct location as shown below in fig. 24

**Fig. 24**



- h) Position log "G" onto the base log using the location lug on the back face of log "G" and the groove on the base log to find the correct location as shown below in fig. 25

**Fig. 25**



- i) Re-fit the glass frame assembly before proceeding to section 3.2

**Warning : Use only the log fuel-bed supplied with the fire. When replacing the log fuel-bed remove the old log fuel-bed and discard it. Fit a complete log fuel-bed from the manufacturer, only use genuine replacements.**

**THE FOLLOWING STATEMENT IS APPLICABLE TO ALL FUEL-BED TYPES**

**This appliance uses fuel effect pieces containing Refractory Ceramic Fibres (R.C.F.), which are man-made vitreous silicate fibres. Excessive exposure to these materials may cause temporary irritation to eyes, skin and respiratory tract. Consequently, it makes sense to take care when handling these articles to ensure that the release of dust is kept to a minimum. To ensure that the release of fibres from these R.C.F. articles is kept to a minimum, during installation & servicing we recommend that you use a HEPA filtered vacuum to remove any dust and soot accumulated in and around the fire, before and after working on the fire. When replacing these articles we recommend that the replaced items are not broken up, but are sealed within a heavy duty polythene bag, clearly labelled as “RCF waste”. This is not classified as “hazardous waste” and may be disposed of at a tipping site licensed for the disposal of industrial waste. Protective clothing is not required when handling these articles, but we do recommend you follow the normal hygiene rules of not smoking, eating or drinking in the work area, and always wash your hands before eating or drinking.**

**This appliance does not contain any component manufactured from asbestos or asbestos related products.**

## 3.2 LIGHTING THE APPLIANCE

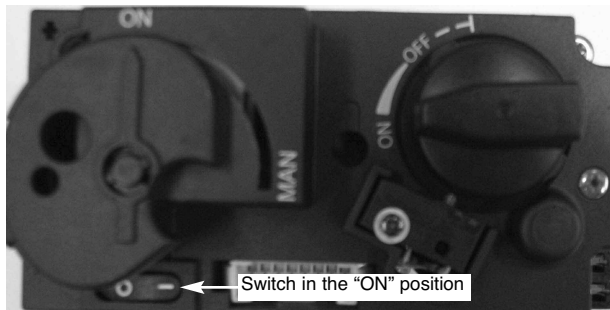
**IMPORTANT** : IF THE BURNER IS EXTINGUISHED FOR ANY REASON YOU MUST ENSURE THAT YOU WAIT A FULL THREE MINUTES BEFORE ATTEMPTING TO RE-LIGHT THE FIRE.

The product is controlled by the remote handset supplied with the fire. Ensure the 9V battery as supplied in the loose items pack has been fitted to the fire before attempting to light it and the 4 off AA batteries have been fitted to the reciever unit, located centrally on the firebox base. There are 3 modes of operation of the product, "MANUAL mode", "TEMPERATURE mode" and "TIMER mode".

### 3.2.1 Operation of the Fire in "MANUAL" mode

- a) Locate the ON/OFF switch on the appliance, it is situated behind the controls access cover at the bottom of the fire. Ensure that the on / off switch on the valve is in the "ON" (1) position as shown below in fig. 26

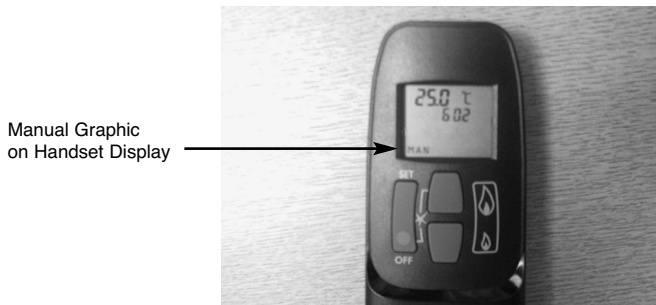
Fig. 26



- b) The remote handset is now used to control all functions of the fire. To light the fire, press the "UP" arrow and "OFF" button simultaneously. as shown on Fig. 41 below. You will hear a click and the fire begins a 30 second ignition process. The pilot and main burner will light.

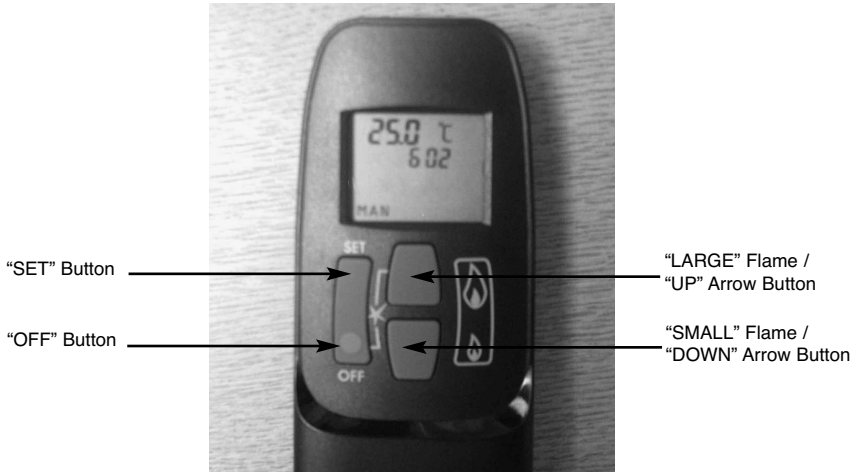
The appliance is now in "MANUAL mode" which will be shown via the "MAN" graphic on the display of the handset as shown below in fig. 27

Fig. 27



- c) With the product in “MANUAL” mode the fire can now be switched between HIGH rate heat input and LOW rate heat input by pressing the “DOWN” arrow on the handset. To reduce the flame height of the main burner incrementally, press the arrow momentarily. To reduce the heat input directly down to the minimum level, press and hold the “DOWN” arrow on the handset. NOTE : At the lowest point the fire will go to “STANDBY MODE”. In “STANDBY MODE” only the pilot remains lit. See fig. 28 below

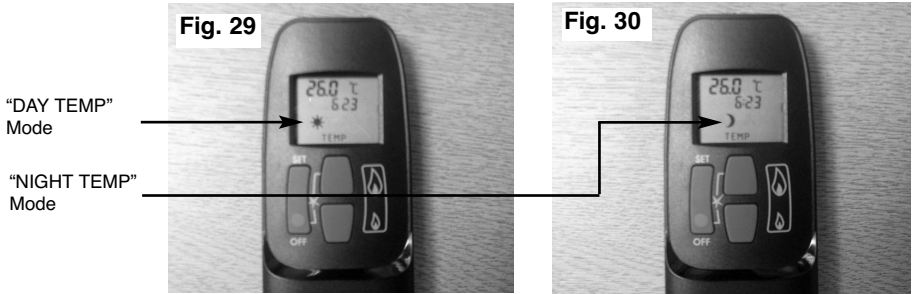
**Fig. 28**



- d) To turn the fire off, press the “OFF” button, this will extinguish all flames including the pilot.

### 3.2.2 Operation of the Fire in “TEMPERATURE” mode

- a) In order to change the mode of operation from “MANUAL” to “TEMPERATURE”, press the “SET” button, the fire will then change to either “DAY TEMP” (fig. 29) mode or “NIGHT TEMP” mode (fig 30). To alternate between the 2, press the “SET” button. **The display on the handset will show the current temperature in the room.**



**NOTE :** The “SET” button allows you to alternate between all modes of operation :- “MANUAL”, “DAY TEMP”, “NIGHT TEMP”, “TIMER” and back to “MANUAL”. Alternatively, pressing either the “UP” or “DOWN” arrow allows the unit to revert to “MANUAL” mode. **Fire must be in standby mode (pilot must be lit) for temperature mode to be used.**

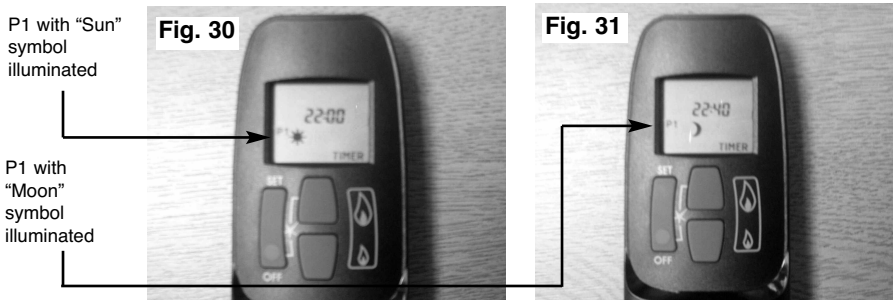
- b) Within the “TEMPERATURE” mode there are options for either “DAY TEMP” or “NIGHT TEMP”. These temperatures can be set independently to allow a higher temperature to be maintained at night than during the day, or if setting the same temperature for day and night the fire will compensate for the generally cooler evening temperatures and automatically increase the heat input level accordingly.
- c) To set the temperature, ensure the handset is in “TEMPERATURE” mode and then press the “SET” button until the “TEMP” display flashes then let go. Proceed to set the desired temperature by pressing the “UP” (large flame) or “DOWN” (small flame) arrows as necessary, then press “OFF” to complete the process.
- NOTE : Minimum temperature is 5°C, Maximum temperature is 30°C, or minimum 41F to maximum 86F when in Fahrenheit mode.
- d) Press the “OFF” button to stop the display flashing or wait to return to “TEMPERATURE” mode. NOTE : If you set a temperature below the current room temperature the fire will switch to standby mode (pilot burner only) until the room has cooled to the temperature you have set on the handset display.
- e) If you would like the “NIGHT TEMP” to turn the fire off then decrease the temperature until [----] is displayed.

### 3.2.3 Operation of the Fire in “TIMER” mode

- a) In order to change the mode of operation from “MANUAL” to “TIMER”, press the “SET” button, the fire will then alternate between the settings until the “TIMER” mode is displayed.

**NOTE :** The “SET” button allows you to alternate between all modes of operation :- “MANUAL”, “DAY TEMP”, “NIGHT TEMP”, “TIMER” and back to “MANUAL”. Alternatively, pressing either the “UP” or “DOWN” arrow allows the unit to revert to “MANUAL” mode. **Fire must be in standby mode (pilot must be lit) for temperature mode to be used.**

- b) Within the “TIMER” setting mode there are two programmable settings you can make over a 24 hour period, namely P1 and P2. To set the timer, ensure the handset is in “TIMER” mode as detailed in section a) above.
- c) To set the P1 timed start setting, press and hold the “SET” button until the P1 (sun symbol is displayed as per fig. 30 below) and the time flashes. Set the hour by pressing the “UP” (large flame) and set the minutes (in ten minute increments) by pressing the “DOWN” (small flame) as necessary, then press “OFF” button to complete the process. Repeat for the P1 (moon symbol is displayed as per fig. 31 below) Set the hour by pressing the “UP” (large flame) and set the minutes (in ten minute increments) by pressing the “DOWN” (small flame) as necessary, then press “OFF” button to complete the process.



- d) To set the P2 timed setting, press the “SET” button until the “TIMER” mode is displayed. Hold the “SET” button until the display flashes the current time for P1. Press the “SET” button again to scroll past the setting for P1 (sun) and P1 (moon). The time should now be flashing on the handset. Set the hour by pressing the “UP” (large flame) and set the minutes (in ten minute increments) by pressing the “DOWN” (small flame) as necessary, then press “OFF” button to complete the process.

### 3.2.4 Low Battery Signal

- a) When the battery in the handset needs replacing, "BATT" will be displayed on the handset.
- b) Remove the cover on the rear of the handset and replace the 9V battery as necessary.

### 3.2.5 To Set the Time on the Remote Handset

- a) Simultaneously press the "UP" (large flame) arrow and "DOWN" (small flame) arrow buttons on the remote handset.
- b) Press the "UP" (large flame) arrow to set the hour and the "DOWN" (small flame) arrow to set the minutes.

### 3.2.6 To Set the °C / 24 Hour or °F / 12 Hour Clock

- a) Press and hold the "OFF" and the "DOWN" (small flame) arrow buttons on the handset simultaneously until the display changes from °C to °F and vice versa

## 3.3 FITTING THE HANDSET WALL BRACKET

- a) The wall bracket is supplied in the loose items pack and is optional to fit.
- b) If fitting the wall bracket, **please be advised that the thermostatic sensor is contained within the handset itself, so the position of the wall bracket will therefore be the position of temperature measurement within the room.** To fit, position as necessary, mark hole positions, drill and secure with fixings provided.

## 3.4 INSTRUCTING THE USER / PRODUCT HANDOVER

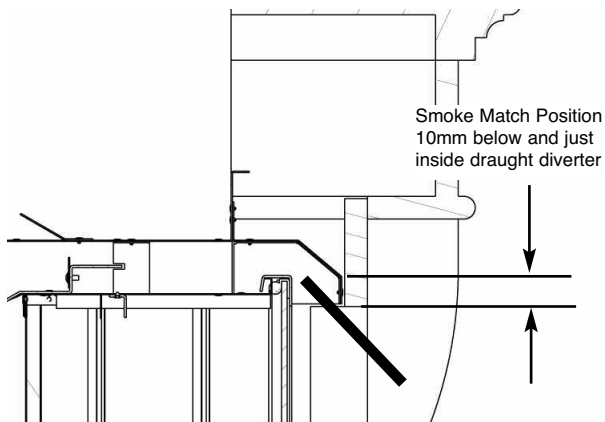
- a) Instruct the user on the operation of the fire and the handset.
- b) Hand the glass clamp over and advise the customer to store it in a safe place.



### 3.5 CHECKING FOR CLEARANCE OF COMBUSTION PRODUCTS

- a) Close all doors and windows in the room.
- b) Light the fire and allow to run for approximately 5 minutes on high position.
- c) After approximately 5 minutes hold a smoke match just 10mm inside and below the centre of the lower front edge of the top of the fire, as shown below in fig. 32 (It is recommended that a suitable smoke match holder is used when checking for clearance of combustion products). All smoke generated should be drawn back into the flue. If slight spillage occurs or if in doubt, repeat the test after a further 5-10 minutes. **If the test indicates that spillage is occurring and the flue restrictor baffle has been fitted, it should be removed as shown in section 3.6 and the test repeated after the fire has cooled.**
- d) If spillage persists, the flue is not functioning correctly and a fault exists. If, after investigation the fault cannot be traced and rectified, the fire must be disconnected from the gas supply and expert advice obtained.
- e) If there is an extractor fan fitted any where in the vicinity of the appliance, or in adjacent rooms the spillage test should be repeated with the fan running on maximum and all interconnecting doors open.
- f) After ensuring that the fire is safe to use it should be left on high position to fully warm up. During this time a slight odour may be noticed, this is due to the “newness” of the fire and will soon disappear. Finally, hand the Installation and Maintenance Instructions and the Users Instructions over to the customer and explain the operation of the fire.

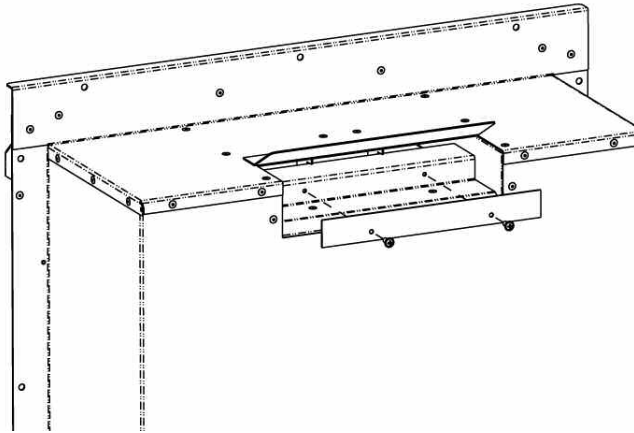
Fig. 32



### 3.6 REMOVING / RE-FITTING THE FLUE RESTRICTOR BAFFLE

- a) The restrictor baffle is secured with 2 off screws to the spigot area of the fire.
- b) Remove the fire if necessary from the fireplace opening and unscrew or re-fit the baffle as shown below in fig. 33

Fig. 33



- c) Re-check the spillage test as required.

## SECTION 4 MAINTENANCE

### Servicing Notes

Servicing should be carried out annually by a competent person such as a GAS SAFE registered engineer. **This is a condition of the guarantee schemes.** The service should include visually checking the chimney and fire opening for accumulations of debris and a smoke test to check for a positive up-draught in the chimney. To access the debris collection void a removeable plate is positioned on the rear face of the firebox box behind the burner. The oxy pilot on the burner unit must also be changed as a condition of the guarantee. The condition of the fuel-bed should be checked and **if necessary the whole item should be replaced with a genuine replacement item.** The burner assembly is designed to be removed as a complete unit for ease of access. **After any servicing work a gas tightness check must always be carried out.**

### For Diagrams refer to Section 2

#### 4.1 Removing the burner assembly from the fire.

4.1.1 Prepare work area (lay down dust sheets etc.)

4.1.2 Remove the glass assembly, remove the ceramic logs.

4.1.3 Isolate the gas supply and remove the supply pipe from the appliance inlet elbow. Unscrew and remove the four screws which retain the ceramic support plate to the base, then lift clear. Remove the seven screws which hold the burner in position & then remove the burner assembly from the fire.

4.1.4 To refit the burner assembly, locate the burner unit and refit the seven screws. Refit the ceramic support plate and four screws. Refit the gas supply pipe and carry out a gas tightness test. Refit the fuel-bed referring to section 3 for the correct log positions. Re-fit the glass frame assembly.

#### 4.2 Removing the Gas Control Valve

4.2.1 Remove the burner assembly as detailed in section 4.1

4.2.2 Remove the thermocouple retaining nut from the valve, remove the main pipe, inlet pipe, pilot pipe and thermocouple interrupter / wires from the valve.

4.2.3 Remove the valve retaining screws and remove the valve. Re-assemble in reverse order and carry out a gas tightness test.

### **4.3 Removing the Pilot Assembly.**

**Note : Because this appliance is fitted with an atmosphere sensing ‘Oxy-Pilot’ it is not possible to replace the thermocouple separately, because the thermocouple position is factory set to a tight tolerance. Any replacement of parts on the pilot requires a complete new pilot assembly.**

- 4.3.1 Prepare work area (lay down dust sheets etc.)
- 4.3.2 Remove the glass frame assembly as shown in section 2.2 and put it in a safe location.
- 4.3.3 Loosen the pilot nut and remove the two screws retaining the pilot assembly. Unscrew the thermocouple from the gas valve.
- 4.3.4 Re-assemble in reverse order and carry out a gas tightness test.

### **4.4 Replacing the Radio Frequency Receiver or its Batteries**

- 4.4.1 Prepare work area (lay down dust sheets etc.)
  - 4.4.2 The RF receiver is located on the firebox base in the centre of the product, below the burner assembly. Remove the RF receiver (held in position with velcro). Slide the battery cover off and replace the batteries as necessary, if replacing disconnect the wiring looms. Re-assemble in reverse order.
  - 4.4.3 Replace in reverse order and check correct operation of the appliance.
- NB The handset uses one LR61 (9v) and should be replaced by removing the cover on the rear of the handset.

**ENSURE THE BATTERIES ARE CONNECTED TO THE CORRECT POLARITY  
POSITIVE (+), NEGATIVE (-)**

## PARTS SHORTLIST

Replacement of any other parts must be carried out by a competent person such as a GAS SAFE registered gas installer. The part numbers of the main replaceable parts are as follows, these are available from your local BFM Fires stockist, whose details can be found on the BFM Europe website, in the “stockist” section.

Gas Control Valve	B-92200
Ignition Lead	CV-104934
Thermocouple Interrupter	B-93300
On / Off Switch & Supply Wires	B-93320
Avelli glass frame assembly	1133-139410
Avelli base fibre centre section	B-137240
Avelli base fibre right hand section	B-141710
Avelli base fibre left hand section	B-141720
Avelli set bark chippings	B-142900
Avelli rear log	B-142130
Avelli complete log set	B-142120
Avelli log “B” only	B-134080
Avelli log “E” only	B-134110
Avelli log “G” only	B-134130
Avelli log “H” only	B-134140
Avelli NG ODS pilot assy	B-128100

## SECTION FIVE - USER INSTRUCTIONS

### 5.1 Installation Information

#### Conditions of Installation

It is the law that all gas appliances are installed only by a competent (e.g. GAS SAFE) Registered Installer, in accordance with the installation instructions and the Gas Safety (Installation and Use) Regulations 1998. Failure to install appliances correctly could lead to prosecution. It is in your own interest and that of safety to comply with the law.

The fire may be fitted below a combustible shelf provided that the shelf is at least 200mm above the top of the appliance and the depth of the shelf does not exceed 150mm.

The fire may be installed below combustible shelves which exceed 150mm deep providing that the clearance above the fire is increased by 15mm for each 25mm of additional overhang in excess of 150mm.

**No purpose made additional ventilation is normally required for this appliance when installed in G.B. When installed I.E. please consult document I.S. 813 : 1996 Domestic Gas Installation which is issued by the National Standards Authority of Ireland. Any purpose made ventilation should be checked periodically to ensure that it is free from obstruction.**

If the chimney or flue has been previously used by appliances burning fuels other than gas they must be swept prior to the installation of this fire.

If this appliance and surround is fitted directly on to a wall soft wall coverings such as wallpaper, blown vinyl etc. could be affected by the heat and hot air and may discolour or scorch. This should be considered when installing or decorating.

The Model number of this appliance is as stated on the rating plate affixed to the control panel of the fire and the appliance is manufactured by:-

BFM Europe Ltd.  
Trentham Lakes  
Stoke on Trent  
ST4 4TJ

## About your BFM Fires “Avelli” Gas Fire

The BFM Fires Avelli range of log effect gas fires incorporates a unique and highly developed fuel bed which gives the realism of a loose log layout combined with realistic flames and glow. The use of durable ceramic material in the construction of the fuel-bed components ensures long and trouble free operation.

When first using the new fire a slight smell may be noticed. This is due to starch used in the manufacture of the soft ceramic logs, it is non-toxic and will soon disappear.

Please take the time to fully read these instructions as you will then be able to obtain the most effective and safe operation of your fire.

## IMPORTANT SAFETY INFORMATION

### WARNING

**This appliance has a naked flame and as with all heating appliances a fireguard should be used for the protection of children, the elderly and infirm. Fireguards should conform to B.S. 8423 : 2002 (Fireguards for use with gas heating appliances).**

It is important that this appliance is serviced at least once a year by a GAS SAFE registered gas installer and that during the service the oxypilot is changed and the fire place debris collection void is checked for fallen debris or blockages which must be removed. The chimney should also be checked to ensure clearance of flue products. **These are conditions of the manufacturers guarantee. After installation or during servicing a spillage test must always be carried out.**

THE FIRE MUST NOT BE OPERATED WITH THE GLASS CRACKED, BROKEN OR REMOVED. Any debris or deposits should be removed from the fuel-bed from time to time. This may be carried out by referring to the cleaning section as described later in this book.

Only the log fuel-bed must be used and only complete and genuine replacement fuel-bed logs must be sourced from BFM Europe Ltd.

The appliance must only be used with the log fuel-bed supplied and must not be used with other log fuel-beds.

Always keep furniture and combustible materials well clear of the fire and never dry clothing or items either on or near to the fire. Never use aerosols or flammable cleaning products near to the fire when it is in use.

**The ceramic fuel-bed remains hot for a considerable period after use and sufficient time should be allowed for the fire to cool before cleaning etc.**

## 5.2 OPERATING THE FIRE

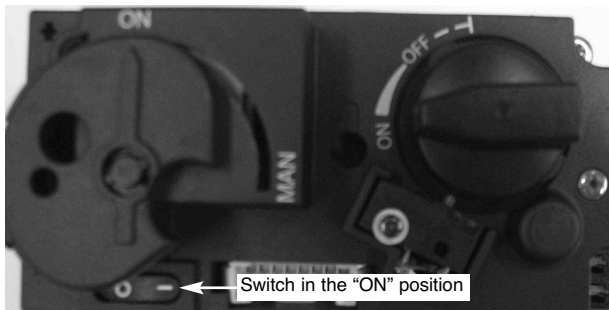
**IMPORTANT** : IF THE BURNER IS EXTINGUISHED FOR ANY REASON YOU MUST ENSURE THAT YOU WAIT A FULL FIVE MINUTES BEFORE ATTEMPTING TO RE-LIGHT THE FIRE.

The product is controlled by the remote handset supplied with the fire. Ensure the 9V battery as supplied in the loose items pack has been fitted to the fire before attempting to light it. There are 3 modes of operation of the product, “MANUAL mode”, “TEMPERATURE mode” and “TIMER mode”.

### 5.2.1 Operation of the Fire in “MANUAL” mode

- a) Locate the ON/OFF switch on the appliance, it is situated behind the controls access cover at the bottom of the fire. Ensure that the on / off switch on the valve is in the “ON” (1) position as shown below in fig. 1

**Fig. 1**



- b) The remote handset is now used to control all functions of the fire. To light the fire, press the “UP” arrow and “OFF” button simultaneously, as shown on fig. 2 below. You will hear a click and the fire begins a 30 second ignition process. The pilot and main burner will light. The appliance is now in “MANUAL mode” which will be shown via the “MAN” graphic on the display of the handset as shown below in fig. 2

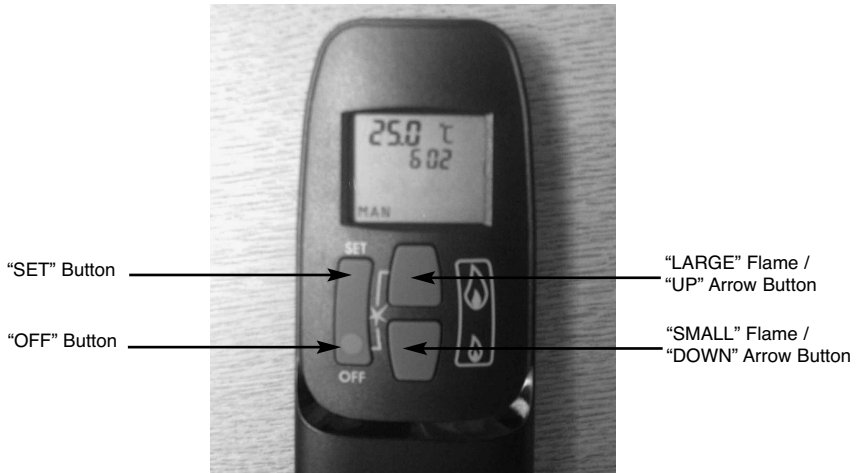
**Fig. 2**





- c) With the product in “MANUAL” mode the fire can now be switched between HIGH rate heat input and LOW rate heat input by pressing the “DOWN” arrow on the handset. To reduce the flame height of the main burner incrementally, press the arrow momentarily. To reduce the heat input directly down to the minimum level, press and hold the “DOWN” arrow on the handset. NOTE : At the lowest point the fire will go to “STANDBY MODE”. In “STANDBY MODE” only the pilot remains lit. See fig. 3 below

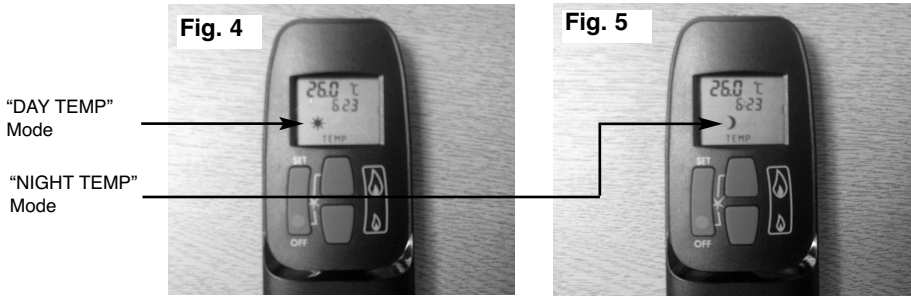
**Fig. 3**



- d) To turn the fire off, press the “OFF” button, this will extinguish all flames including the pilot.

## 5.2.2 Operation of the Fire in “TEMPERATURE” mode

- a) In order to change the mode of operation from “MANUAL” to “TEMPERATURE”, press the “SET” button, the fire will then change to either “DAY TEMP” (fig. 4) mode or “NIGHT TEMP” mode (fig 5). To alternate between the 2, press the “SET” button. **The display on the handset will show the current temperature in the room.**



**NOTE :** The “SET” button allows you to alternate between all modes of operation :- “ MANUAL”, “DAY TEMP”, “NIGHT TEMP”, “TIMER” and back to “MANUAL”. Alternatively, pressing either the “UP” or “DOWN” arrow allows the unit to revert to “MANUAL” mode.

- b) Within the “TEMPERATURE” mode there are options for either “DAY TEMP” or “NIGHT TEMP”. These temperatures can be set independently to allow a higher temperature to be maintained at night than during the day, or if setting the same temperature for day and night the fire will compensate for the generally cooler evening temperatures and automatically increase the heat input level accordingly.
- c) To set the temperature, ensure the handset is in “TEMPERATURE” mode and then press the “SET” button until the “TEMP” display flashes then let go. Proceed to set the desired temperature by pressing the “UP” (large flame) or “DOWN” (small flame) arrows as necessary, then press “OFF” to complete the process.
- NOTE :** Minimum temperature is 5°C, Maximum temperature is 30°C, or minimum 41F to maximum 86F when in Fahrenheit mode.
- d) Press the “OFF” button to stop the display flashing or wait to return to “TEMPERATURE” mode. **NOTE :** If you set a temperature below the current room temperature the fire will switch to standby mode (pilot burner only) until the room has cooled to the temperature you have set on the handset display.
- e) If you would like the “NIGHT TEMP” to turn the fire off then decrease the temperature until [----] is displayed.

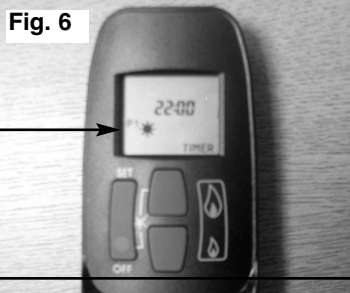
### 5.2.3 Operation of the Fire in “TIMER” mode

- a) In order to change the mode of operation from “MANUAL” to “TIMER”, press the “SET” button, the fire will then alternate between the settings until the “TIMER” mode is displayed.

**NOTE :** The “SET” button allows you to alternate between all modes of operation :- “MANUAL”, “DAY TEMP”, “NIGHT TEMP”, “TIMER” and back to “MANUAL”. Alternatively, pressing either the “UP” or “DOWN” arrow allows the unit to revert to “MANUAL” mode.

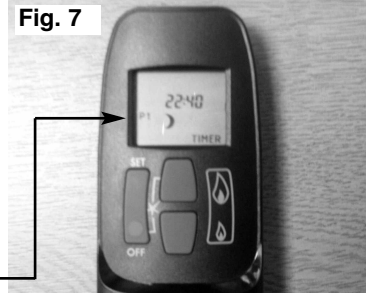
- b) Within the “TIMER” setting mode there are two programmable settings you can make over a 24 hour period, namely P1 and P2. To set the timer, ensure the handset is in “TIMER” mode as detailed in section a) above.
- c) To set the P1 timed start setting, press and hold the “SET” button until the P1 (sun symbol is displayed as per fig. 6 below) and the time flashes. Set the hour by pressing the “UP” (large flame) and set the minutes (in ten minute increments) by pressing the “DOWN” (small flame) as necessary, then press “OFF” button to complete the process. Repeat for the P1 (moon symbol is displayed as per fig. 7 below) Set the hour by pressing the “UP” (large flame) and set the minutes (in ten minute increments) by pressing the “DOWN” (small flame) as necessary, then press “OFF” button to complete the process.

P1 with “Sun” symbol illuminated



**Fig. 6**

P1 with “Moon” symbol illuminated



**Fig. 7**

- d) To set the P2 timed setting, press the “SET” button until the “TIMER” mode is displayed. Hold the “SET” button until the display flashes the current time for P1. Press the “SET” button again to scroll past the setting for P1 (sun) and P1 (moon). The time should now be flashing on the handset. Set the hour by pressing the “UP” (large flame) and set the minutes (in ten minute increments) by pressing the “DOWN” (small flame) as necessary, then press “OFF” button to complete the process.

#### **5.2.4 Low Battery Signal**

- a) When the battery in the handset needs replacing, "BATT" will be displayed on the handset.
- b) Remove the cover on the rear of the handset and replace the 9V battery as necessary.

#### **5.2.5 To Set the Time on the Remote Handset**

- a) Simultaneously press the "UP" (large flame) arrow and "DOWN" (small flame) arrow buttons on the remote handset.
- b) Press the "UP" (large flame) arrow to set the hour and the "DOWN" (small flame) arrow to set the minutes.

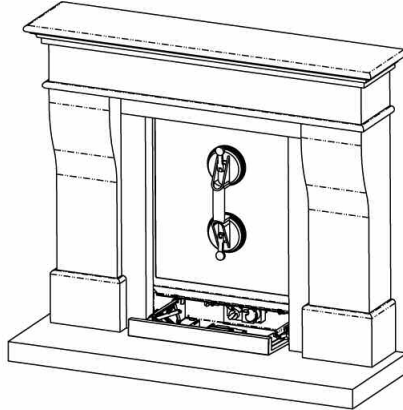
#### **5.2.6 To Set the °C / 24 Hour or °F / 12 Hour Clock**

- a) Press and hold the "OFF" and the "DOWN" (small flame) arrow buttons on the handset simultaneously until the display changes from °C to °F and vice versa

### 5.3 REMOVAL / RE-FITTING THE GLASS FRAME ASSEMBLY

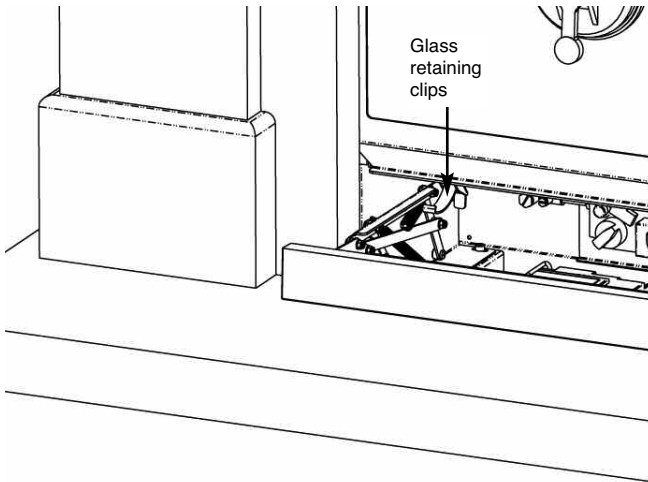
- a) Remove the glass panel by firstly affixing the glass clamp to the glass panel as shown below in fig. 8

**Fig. 8**



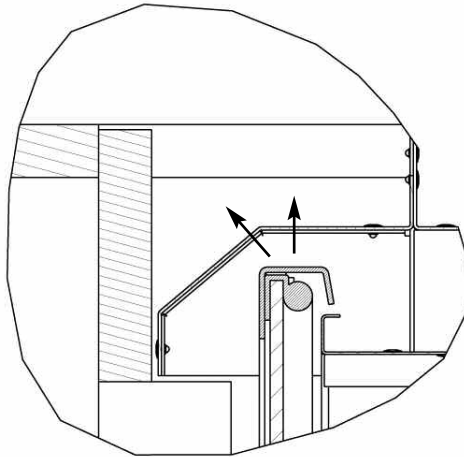
- b) Unclip the glass frame retaining clips at the base of the glass frame assembly as shown in fig. 9 below.

**Fig. 9**



- c) Unhook the glass panel from the top retaining channel by lifting upwards then tilt the top edge of the glass assembly towards you as shown below in fig. 10 (sectional view through product for clarity)

**Fig. 10**



- d) Remove the glass frame assembly by sliding to the left until the right hand edge of the glass frame can be released from behind the right hand leg of the surround as shown below in fig. 11 and overpage in fig. 12

**Fig. 11**

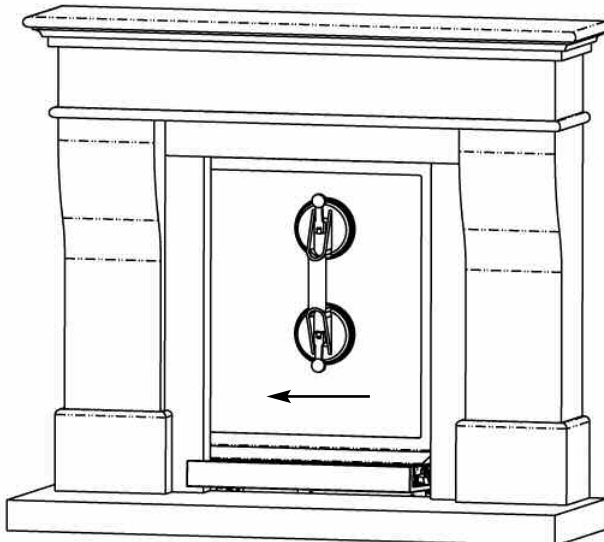
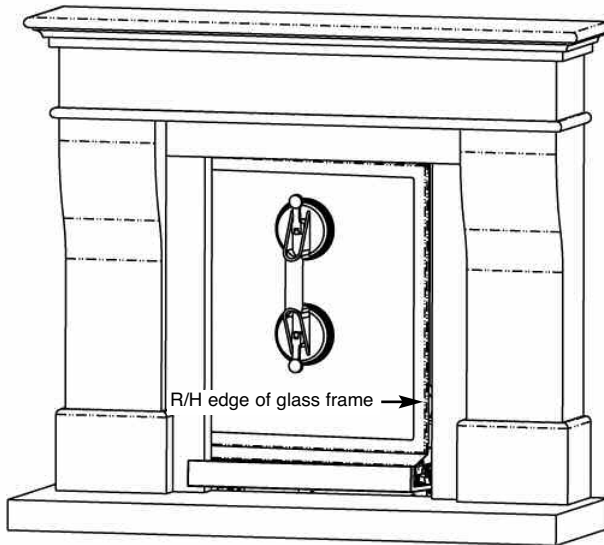


Fig. 12



- e) Store the glass frame assembly in a safe place.
- f) Re-assemble in reverse order when re-fitting the glass assembly.

**Ensure that the glass assembly is correctly located on the top flange of the combustion chamber, this can be achieved by putting your hand onto the top edge of the glass frame inside the convection air aperture and pushing down firmly to check the glass frame is correctly located.**

**DO NOT OPERATE THE FIRE WITHOUT THE GLASS FRAME ASSEMBLY IN POSITION OR NOT CORRECTLY LOCATED.**

## 5.4 RE-LAYING THE FUEL-BED

- a) Place the L/H and R/H ceramic base pieces onto the ceramic support panel as shown below in fig. 13

**Fig. 13**



- b) Place the front ceramic base piece onto the ceramic support ensuring the location tabs fit into the L/H & R/H ceramic base pieces as shown below in fig. 14

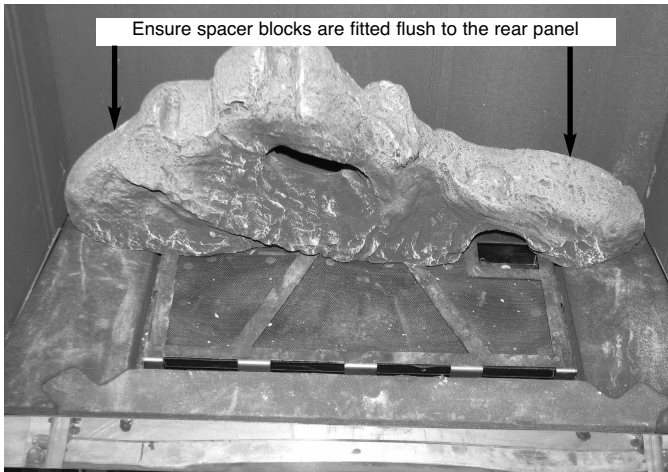
**Fig. 14**





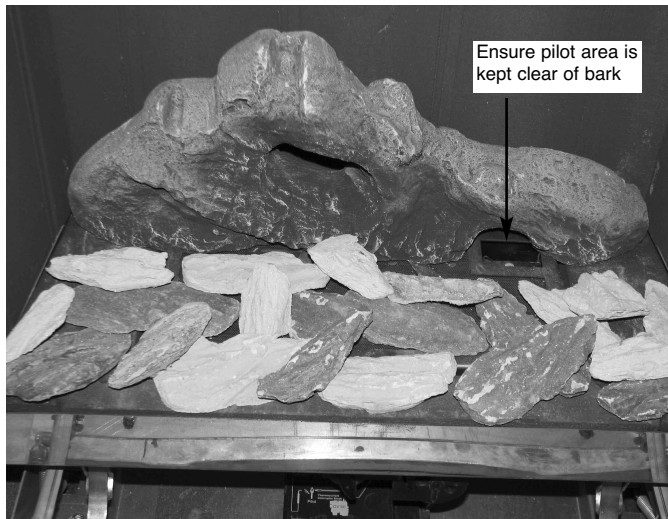
- c) Place the base log onto the ceramic support panel as shown below in fig. 15, ensuring the spacer locating blocks on the rear face are fitted flush up against the rear panel.

**Fig. 15**



- d) Cover the burner and fuel-bed base ceramic in a single, even layer of bark chippings as shown below in fig. 16

**Fig. 16**



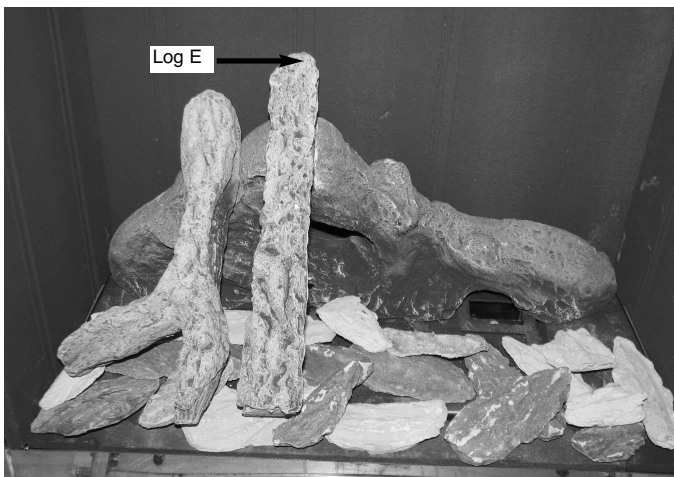
- e) Position log “H” onto the base log using the location lug on the back face of log “H” and the groove on the base log to find the correct location, as shown below in fig. 17

**Fig. 17**



- f) Position log “E” onto the base log using the location lug on the back face of log “E” and the groove on the base log to find the correct location as shown below in fig. 18

**Fig. 18**



- g) Position log “B” onto the base log using the location lug on the back face of log “B” and the groove on the base log to find the correct location as shown below in fig. 19

**Fig. 19**



- h) Position log “G” onto the base log using the location lug on the back face of log “G” and the groove on the base log to find the correct location as shown below in fig. 20

**Fig. 20**



- i) Re-fit the glass frame assembly before proceeding.

**Warning : Use only the log fuel-bed supplied with the fire. When replacing the log fuel-bed remove the old log fuel-bed and discard it. Fit a complete log fuel-bed from the manufacturer, only use genuine replacements.**

### **THE FOLLOWING STATEMENT IS APPLICABLE TO ALL FUEL-BED TYPES**

This appliance uses fuel effect pieces containing Refractory Ceramic Fibres (R.C.F.), which are man-made vitreous silicate fibres. Excessive exposure to these materials may cause temporary irritation to eyes, skin and respiratory tract. Consequently, it makes sense to take care when handling these articles to ensure that the release of dust is kept to a minimum. To ensure that the release of fibres from these R.C.F. articles is kept to a minimum, during installation & servicing we recommend that you use a HEPA filtered vacuum to remove any dust and soot accumulated in and around the fire, before and after working on the fire. When replacing these articles we recommend that the replaced items are not broken up, but are sealed within a heavy duty polythene bag, clearly labelled as “RCF waste”. This is not classified as “hazardous waste” and may be disposed of at a tipping site licensed for the disposal of industrial waste. Protective clothing is not required when handling these articles, but we do recommend you follow the normal hygiene rules of not smoking, eating or drinking in the work area, and always wash your hands before eating or drinking.

**This appliance does not contain any component manufactured from asbestos or asbestos related products.**

### **5.5 CLEANING - WARNING**

Before attempting any cleaning operation ensure that the fire has been allowed to fully cool. The trim is best cleaned in position on the fire when the appliance is not running and is cool. Black painted metal parts should be gently cleaned with a damp cloth.

To clean the glass panel, please remove it from the product as described on page 44-46. Use a clean damp cloth and ceramic glass cleaner to remove any stains or deposits from the glass panel. Do not use scouring pads as this may scratch the surface finish of the glass panel.

**PLEASE NOTE** :- The glass will require cleaning periodically. Condensation produced by the products of combustion will create marks on the inside face of the glass panel.

## CLEANING THE FUELBED

We do not recommend cleaning of the logs or fuelbed components as these are fragile and damage may result. **None of these parts must be washed or exposed to any cleaning agents or water.** Any damaged parts must be replaced by contacting your dealer or telephoning BFM Europe Ltd. on the number stated on the rear cover of this book. The log fuel-bed must only be replaced with a complete and genuine replacement item and the fire must never be run with a damaged item. The fuel-bed must be carefully fitted as stated in section 5.4

## USER REPLACEABLE PARTS

The only user replaceable parts on this fire are the fuelbed components and logs which may be replaced as described in the above section. Replacement of any other parts must be carried out by a competent person such as a GAS SAFE registered gas installer. The part numbers of the user replaceable parts are as follows, these are available from BFM Europe Ltd. who may be contacted at the number on the rear cover of this book.

Avelli base fibre centre section	B-137240
Avelli base fibre right hand section	B-141710
Avelli base fibre left hand section	B-141720
Avelli set bark chippings	B-142900
Avelli rear log	B-142130
Avelli complete log set	B-142120
Avelli log "B" only	B-134080
Avelli log "E" only	B-134110
Avelli log "G" only	B-134130
Avelli log "H" only	B-134140

Due to our policy of continual improvement and development the exact accuracy of descriptions and illustrations cannot be guaranteed.

Part No. B-146240  
Issue 3



BFM Europe Ltd.  
Trentham Lakes  
Stoke-on-Trent  
Staffordshire  
ST4 4TJ

[www.bfm-europe.com](http://www.bfm-europe.com)

**Telephone - General Enquiries :**  
**Telephone - Service :**

**(01782) 339000**  
**(0844) 7700169**